

Tubular Plastic

Model 500

For most tubs 14" - 16" high

Model 550

For most tubs up to 24" high

1.5" Tubular Plastic Bath Wastes Slip-Joint Assembly Now Coarse Thread

SPECIFICATIONS

FEATURES:

- Metal strainer body for cast iron or plastic tubs
- Theft-resistant brass stopper
- Designed for heavy-duty use in hotels, motels, and rental properties
- Replaceable drip-proof Buna-N-Seal
- Retainer plate for overflow elbow

APPROVALS:

- Manufactured in compliance with ASTM F 409-2002 and NSF/ANSI 14-2007; CSA standards B181.1 and B181.2.

PATENTS:

- U.S. Pat. 4,457,030; 4,720,877; 5,758,368; and Patents Pending

THREAD SIZE (Strainer Body and Drain Elbow):

- 1 $\frac{1}{2}$ " - 11 $\frac{1}{2}$ " NPSM (Coarse Thread)
- 1.865" Major Diameter (outside thread diameter)
- 11.5 threads per inch

PIPING:

- PVC ABS



ADA

PRESFLO® (PF)
Foot Actuated (FA) only

OPTIONS:

- Removable tail piece (add code "RT-2")
- Condensate Drain adaptor (add code "CD")

Model 510

Tub Closure, Washer, and Drain Ell only.
See next page for available tub closures.

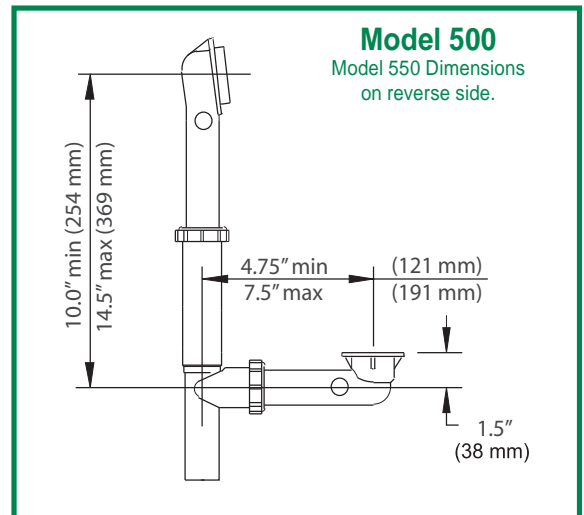
See price list for complete item numbers and available options.

When ordering, please specify complete item number and any applicable option codes.

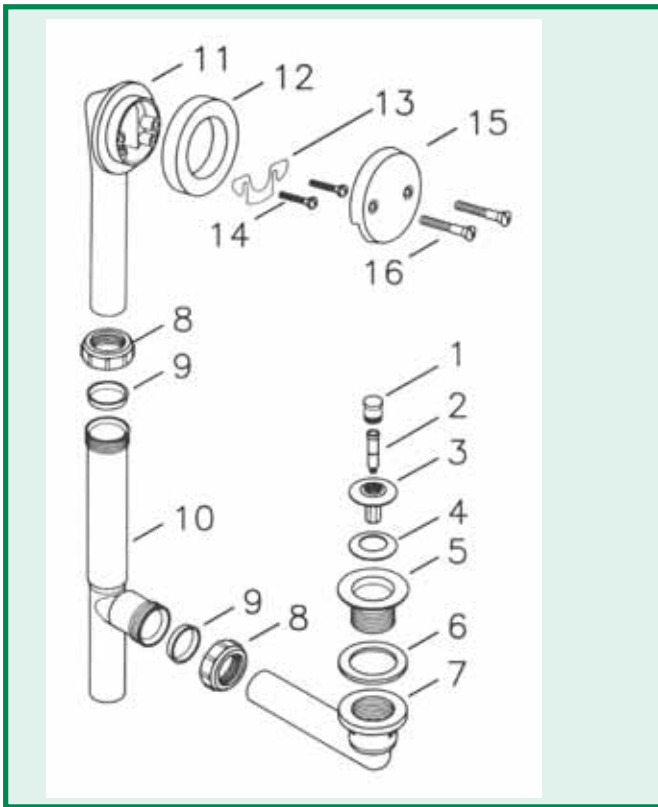


For More Information Contact:
WATCO Manufacturing Company
1220 South Powell Road
Independence, MO 64057-2724
Ph. 816-796-3900 • FAX 816-796-0875
www.watcomfg.com

Roughing-In Dimensions



500/550 Series Parts List



Item	Part #	Description
1.	01010CP.....	Knob, Brass
2.	11510	Friction Ring (11505) and Post (11532)
3.	01013CP.....	Stopper, Brass
4.	11507	Seal, 1-1/16" dia.
5.	01016CP.....	Strainer Body, Brass, 1.865" - 11.5 - 1.25"
6.	10696	Drain Ell Washer, 1.5", gray
7.	11028.....	Drain Ell, Tubular ABS, Coarse Thread
	14028.....	Drain Ell, Tubular PVC, Coarse Thread
8.	11580.....	Slip Joint Nut, ABS
	11581	Slip Joint Nut, PVC
9.	11583.....	Slip Joint Polywasher
10.	11000.....	Tee, Tubular ABS
	14000	Tee, Tubular PVC
11.	11003.....	Overflow Ell, Tubular ABS
	14003.....	Overflow Ell, Tubular PVC
12.	10675.....	Overflow Ell Washer
13.	11530.....	Retainer Plate
14.	11540.....	Retainer Plate Screw
15.	01003CP.....	2-Hole Overflow Plate, metal
16.	01024CP.....	Overflow Plate Screw, 2.25"

TUB CLOSURES FOR 500/550-SERIES BATH WASTES (PUSH PULL® ALSO SHOWN ABOVE)

PUSH PULL® Coarse Thread		LIFT & TURN Coarse Thread		PRESFLO® Coarse Thread		FOOT ACTUATED Coarse Thread	
	<ol style="list-style-type: none"> 01010CP 01010__* 11510 01013CP 01013__* 11507 01016CP 01016__* 		<ol style="list-style-type: none"> 01010CP 01010__* 11079 11088 11290CP 01013__* 11507 11492CP 01016__* 		<ol style="list-style-type: none"> 11145CP 11145__* 11132 11060CP 11060__* 96039: Suction Cup for removing stopper 		<ol style="list-style-type: none"> 38412CP 38412__* 11492CP 01016__*
U.S. Pat. No. 4,720,877		U.S. Pat. No. 5,758,368		U.S. Pat. No. 4,457,030			

***If finish other than Chrome is desired, please use this part number and indicate desired finish.**

Finishes Available in the 500/550 Series:

Tube Closures:	PUSH PULL®	LIFT & TURN	PRESFLO®	FOOT ACT.
CP - Chrome Plated	●	●	●	●
AB - Antique Brass	●	●	●	
AP - Aged Pewter	●	●	●	
BB - Brushed Bronze	●	●	●	
BN - Brushed Nickel	●	●	●	●
BO - Bone	●	●		
BS - Biscuit	●	●		
BZ - Oil-Rubbed Bronze	●	●	●	●
CB - Brushed Chrome	●	●	●	
NP - Nickel Polished	●	●	●	●
PB - Polished Nickel	●	●	●	●
PN - Pearl Nickel	●	●	●	
WH - White	●	●		
WI - Wrought Iron	●	●	●	

Roughing-In Dimensions

