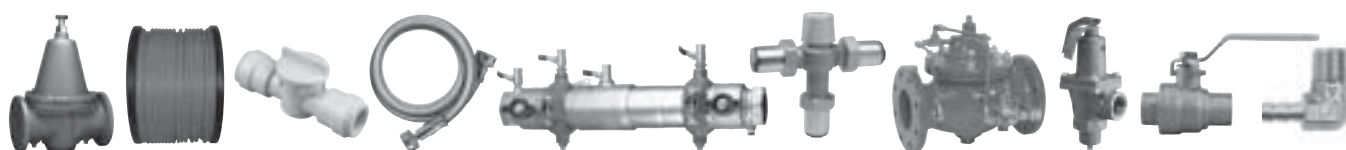


# Watts

# **LEAD FREE\*** Products

## 2010 Price List



*Effective March 1, 2010*

*(Revised June 4, 2010)*

All prices supersede previous issues, are temporary and subject to change without notice.

\*The wetted surface of this product contacted by consumable water contains less than one quarter of one percent (0.25%) of lead by weight.

watts.com

**WATTS**<sup>®</sup>

# Electronic is Green!

**For the latest Watts pricing information in electronic format, visit our Data Exchange at:**

<http://www.watts.com/DataExchange/>

- Download product and list price data in .csv, .pdf, .tsv, .xls and .xml formats
- Easy access to list price data for business systems
- Receive e-mail alerts when data is updated
- Bundle Watts product line data files for easy download

<b>Section 1</b>	Pressure Regulators & Automatic Control Valves .....	2 – 12
<b>Section 2</b>	Relief Valves .....	13
<b>Section 3</b>	Water Heater Installation Products .....	14
<b>Section 4</b>	Backflow Preventers & Accessories .....	15 – 24
<b>Section 5</b>	Ball Valves .....	25 – 26
<b>Section 6</b>	Gate and Check Valves .....	27 – 28
<b>Section 7</b>	Strainers .....	29 – 31
<b>Section 8</b>	Butterfly Valves .....	32 – 37
<b>Section 9</b>	Tempering Valves & Thermostatic Faucets .....	38 – 40
<b>Section 10</b>	Water Hammer Arrestors .....	41
<b>Section 11</b>	Dielectric Unions .....	42
<b>Section 12</b>	Flexible Connectors .....	43 – 46
<b>Section 13</b>	Anti-Scale Systems .....	47 – 48
<b>Section 14</b>	Quick-Connect Fittings .....	49 – 63
<b>Section 15</b>	WaterPEX Tubing, Valves & Accessories .....	64 – 67
<b>Section 16</b>	WaterPEX Fittings .....	68 – 78
<b>Section 17</b>	Brass Fittings .....	79 – 93
<b>Section 18</b>	Supply Stops .....	94 – 96
<b>Section 19</b>	Water Supplies .....	97 – 101
<b>Section 20</b>	Faucets .....	101
<b>Section 21</b>	Tubing .....	102 – 105
<b>Section 22</b>	Backflow Repair Kits .....	106 – 145
<b>Terms &amp; Conditions</b>	.....	146



LFU5B-Z3



LF25AUB-Z3

**SERIES LFU5B-Z3, LF25AUB-Z3:**  
**Standard Features**

**Z3** – Corrosion-resistant adjusting and cage screws for waterworks pit installations

**Options**

- G** – Gauge tapping; list price 5% extra
- GG** – Gauge tapping and 160psi gauge; add 15% to list price (1/2-1); add 5% to list price (1 1/4-2)
- HP** – High pressure range; price 25% extra U5B-Z3 75 – 100psi; 25AUB-Z3 75 – 125psi
- LP** – Low pressure range 10 – 35psi; price 10% extra

Model	Ordering Code	Size (in.)	UPC	Qty. Per Carton	Weight Per Carton (lbs.)	List Price (each)
-------	---------------	------------	-----	-----------------	--------------------------	-------------------

**Series LFU5B**
**With Built in Bypass Check Valve**

LFU5B-Z3	0009100	1/2	098268327335	6	23	\$ 272.77
LFU5B-Z3	0009118	3/4	098268327533	6	32	319.41
LFU5B-Z3	0009154	1	098268327991	6	40	485.87
LFU5B-Z3	0009180	1 1/4	098268328462	6	40	988.40
LFU5B-Z3	0009192	1 1/2	098268328677	1	15	1113.35
LFU5B-Z3	0009204	2	098268329001	1	24	1580.92
LFU5B-Z5	0009694	3/4	098268453713	6	25	319.41

**For Low Pressure with Bypass Feature**

LFU5B-LP-Z3	0009108	1/2	098268327427	6	23	300.11
LFU5B-LP-Z3	0009128	3/4	098268327670	6	32	351.47
LFU5B-LP-Z3	0009162	1	098268328073	6	40	534.40
LFU5B-LP-Z3	0009188	1 1/4	098268328608	6	40	1087.29
LFU5B-LP-Z3	0009200	1 1/2	098268328769	1	15	1224.79
LFU5B-LP-Z3	0009214	2	098268329100	1	24	1739.14

**Series LF25AUB**
**Bypass - Max. Inlet 300psi**
**Threaded Female Union Inlet x NPT Threaded Female Outlet**

LF25AUB-Z3	0009217	1/2	098268329162	6	21	204.66
LF25AUB-Z3	0009257	3/4	098268329704	6	17	223.97
LF25AUB-Z3	0009309	1	098268330427	6	33	295.72
LF25AUB-Z3	0009392	1 1/4	098268331431	4	40	827.21
LF25AUB-Z3	0009431	1 1/2	098268331868	4	41	883.17
LF25AUB-Z3	0009465	2	098268332247	1	22	1393.00

**Threaded Female Union Inlet x NPT Threaded Female Union Outlet**

LF25AUB-DU-Z3	0009228	1/2	098268329315	6	25	245.43
LF25AUB-DU-Z3	0009258	3/4	098268329711	6	25	257.99
LF25AUB-DU-Z3	0009322	1	098268330588	6	50	354.92
LF25AUB-DU-Z3	0009353	1 1/4	098268330984	1	11	913.01
LF25AUB-DU-Z3	0009393	1 1/2	098268331448	1	13	1028.77
LF25AUB-DU-Z3	0009442	2	098268331981	1	17	1460.97

**Solder Union Inlet x NPT Threaded Female Outlet**

LF25AUB-S-Z3	0009237	1/2	098268329421	6	21	204.66
LF25AUB-S-Z3	0009282	3/4	098268330083	6	23	223.97
LF25AUB-S-Z3	0009331	1	098268330724	6	33	295.72
LF25AUB-S-Z3	0009391	1 1/4	098268331424	4	40	827.21
LF25AUB-S-Z3	0009430	1 1/2	098268331851	4	41	883.17
LF25AUB-S-Z3	0009464	2	098268332230	1	22	1393.00

**Solder Union Inlet x Solder Union Outlet**

LF25AUB-S-DU-Z3	0009246	1/2	098268329513	6	25	245.43
LF25AUB-S-DU-Z3	0009283	3/4	098268330090	6	19	257.99
LF25AUB-S-DU-Z3	0009337	1	098268330786	6	50	354.92
LF25AUB-S-DU-Z3	0009382	1 1/4	098268331332	1	11	913.01
LF25AUB-S-DU-Z3	0009421	1 1/2	098268331752	1	13	1028.77
LF25AUB-S-DU-Z3	0009455	2	098268332131	1	17	1460.97

**Threaded Female Union Inlet x NPT Threaded Female Union Outlet - Less Fittings**

LF25AUB-DU-LF-Z3	0009298	3/4	098268330298	6	3	198.85
LF25AUB-DU-LF-Z3	0009320	1	098268330564	6	7	262.95
LF25AUB-DU-LF-Z3	0009364	1 1/4	098268331134	4	40	827.21

\*The wetted surface of this product contacted by consumable water contains less than one quarter of one percent (0.25%) of lead by weight.


**LFX65B**
**Options**

- G** – Gauge tapped; List price add 5% extra.
- GG** – Gauge Tapping and 160psi gauge, add 15% to list price (1/2 - 1), add 5% to list price (1 1/4 - 2)
- HP** – High pressure range, price 25% extra.


**LFX65BU-QC**

Model	Ordering Code	Size (in.)	UPC	Qty. Per Carton	Weight Per Carton (lbs.)	List Price (each)
<b>Series LFX65B Cartridge Style With Bypass</b>						
<b>Threaded Female Inlet x NPT Threaded Female Outlet</b>						
LFX65B	0009925	1/2	098268448221	12	19	\$ 154.51
LFX65B	0009945	3/4	098268448276	12	20	168.97
LFX65B	0009966	1	098268448337	6	14	209.86
LFX65B	0009986	1 1/4	098268448382	6	23	504.70
LFX65B	0010023	1 1/2	098268448436	1	9	795.37
LFX65B	0010043	2	098268448481	1	10	1063.13
<b>Threaded Female Inlet x NPT Threaded Female Outlet</b>						
LFX65BU	0009929	1/2	098268448238	12	8	160.89
LFX65BU	0009949	3/4	098268448283	12	23	177.47
LFX65BU	0009970	1	098268448344	6	17	219.78
LFX65BU	0009990	1 1/4	098268448399	6	28	549.64
LFX65BU	0010027	1 1/2	098268448443	1	10	871.83
LFX65BU	0010047	2	098268448498	1	12	1138.04
<b>Solder Union Inlet x NPT Threaded Female Outlet</b>						
LFX65BU-S	0009933	1/2	098268448245	12	8	160.89
LFX65BU-S	0009953	3/4	098268448290	12	26	177.47
LFX65BU-S	0009974	1	098268448351	6	17	219.78
LFX65BU-S	0009994	1 1/4	098268448405	6	27	549.64
LFX65BU-S	0010031	1 1/2	098268448450	1	10	871.83
LFX65BU-S	0010051	2	098268448504	1	12	1138.04
<b>Double Union/Threaded Female Union Inlet x NPT Threaded Female Union Outlet</b>						
LFX65BDU	0009937	1/2	098268448252	12	22	176.55
LFX65BDU	0009957	3/4	098268448306	12	27	188.53
LFX65BDU	0009978	1	098268448368	6	19	244.44
LFX65BDU	0010015	1 1/4	098268448412	6	34	594.72
LFX65BDU	0010035	1 1/2	098268448467	4	35	948.17
LFX65BDU	0010055	2	098268448511	1	14	1212.68
<b>Double Union/Solder Union Inlet x Solder Union Outlet</b>						
LFX65BDU-S	0009941	1/2	098268448269	12	22	176.55
LFX65BDU-S	0009961	3/4	098268448313	12	29	188.53
LFX65BDU-S	0009982	1	098268448375	6	21	244.44
LFX65BDU-S	0010019	1 1/4	098268448429	6	31	594.72
LFX65BDU-S	0010039	1 1/2	098268448474	4	43	948.17
LFX65BDU-S	0010059	2	098268448528	1	13	1212.68
<b>Quick-Connect Union Inlet x Quick-Connect Union Outlet</b>						
LFX65BDU-QC	0010072	1/2	098268448627	12	25	186.98
LFX65BDU-QC	0009965	3/4	098268448320	12	34	201.15
LFX65BDU-QC	0010073	1	098268448634	6	23	259.34
LFX65BU-QC	0010069	1/2	098268448597	12	23	166.13
LFX65BU-QC	0010070	3/4	098268448603	12	28	178.75
LFX65BU-QC	0010071	1	098268448610	6	20	227.23
<b>Double Union PEX Inlet x PEX Union Outlet</b>						
LFX65BDU-PEX	0010074	1/2	098268448641	12	22	180.31
LFX65BDU-PEX	0010075	3/4	098268448658	12	27	212.91
LFX65BDU-PEX	0010076	1	098268448665	6	14	257.63
<b>Double Union CPVC Inlet x CPVC Union Outlet</b>						
LFX65BDU-CPVC	0010077	3/4	098268448672	12	26	188.53
LFX65BDU-CPVC	0010078	1	098268448689	6	19	239.84

\*The wetted surface of this product contacted by consumable water contains less than one quarter of one percent (0.25%) of lead by weight.



X65B-Rough In Kit

Model	Ordering Code	Size (in.)	UPC	Qty. Per Carton	Weight Per Carton (lbs.)	List Price (each)
<b>Series LFX65B — RIK Rough-In Kit</b>						
<b>Threaded Female Union Inlet x NPT Threaded Female Outlet</b>						
LFX65B RIK	0010063	1/2	098268448535	12	8	\$ 61.80
LFX65B RIK	0010064	3/4	098268448542	12	9	67.58
LFX65B RIK	0010065	1	098268448559	12	11	83.94
LFX65B RIK	0010066	1 1/4	098268448566	6	11	201.88
LFX65B RIK	0010067	1 1/2	098268448573	6	20	318.14
LFX65B RIK	0010068	2	098268448580	6	24	425.25
<b>Double Union/Threaded Female Union Inlet x NPT Threaded Female Union Outlet</b>						
LFX65BU RIK	0010079	1/2	098268448696	12	11	64.35
LFX65BU RIK	0010080	3/4	098268448702	12	14	70.98
LFX65BU RIK	0010081	1	098268448719	12	15	87.91
LFX65BU RIK	0010082	1 1/4	098268448726	6	18	219.86
LFX65BU RIK	0010083	1 1/2	098268448733	6	31	348.73
LFX65BU RIK	0010084	2	098268448740	6	36	455.22
<b>Double Union/Threaded Female Union Inlet x NPT Threaded Female Union Outlet</b>						
LFX65B-DU RIK	0010085	1/2	098268448757	12	13	70.62
LFX65B-DU RIK	0010086	3/4	098268448764	12	17	75.41
LFX65B-DU RIK	0010087	1	098268448771	12	20	97.78
LFX65B-DU RIK	0010088	1 1/4	098268448788	6	24	237.88
LFX65B-DU RIK	0010089	1 1/2	098268448795	6	40	379.27
LFX65B-DU RIK	0010090	2	098268448801	6	47	485.07
<b>Solder Union Inlet x NPT Threaded Female Outlet</b>						
LFX65B-U-S RIK	0010091	1/2	098268448818	12	11	64.35
LFX65B-U-S RIK	0010092	3/4	098268448825	12	13	70.98
LFX65B-U-S RIK	0010093	1	098268448832	12	15	87.91
LFX65B-U-S RIK	0010094	1 1/4	098268448849	6	16	219.86
LFX65B-U-S RIK	0010095	1 1/2	098268448856	6	29	348.73
LFX65B-U-S RIK	0010096	2	098268448863	6	34	455.22
<b>Double Union/Solder Union Inlet x Solder Union Outlet</b>						
LFX65B-DU-S RIK	0010097	1/2	098268448870	12	12	70.62
LFX65B-DU-S RIK	0010098	3/4	098268448887	12	16	75.41
LFX65B-DU-S RIK	0010099	1	098268448894	12	18	97.78
LFX65B-DU-S RIK	0010100	1 1/4	098268448900	6	20	237.88
LFX65B-DU-S RIK	0010101	1 1/2	098268448917	6	36	379.27
LFX65B-DU-S RIK	0010102	2	098268448924	6	43	485.07
<b>Quick-Connect Union Inlet x NPT Threaded Female Outlet</b>						
LFX65B-U-QC RIK	0010103	1/2	098268448931	12	14	66.45
LFX65B-U-QC RIK	0010104	3/4	098268448948	12	19	71.50
LFX65B-U-QC RIK	0010105	1	098268448955	12	21	90.90
<b>Quick-Connect Union Inlet x Quick-Connect Union Outlet</b>						
LFX65B-DU-QC RIK	0010106	1/2	098268448962	12	18	74.79
LFX65B-DU-QC RIK	0010107	3/4	098268448979	12	27	80.46
LFX65B-DU-QC RIK	0010108	1	098268448986	12	32	103.73
<b>Threaded Female Inlet x PEX Union Outlet</b>						
LFX65BU-PEX RIK	0045800	1/2	098268454635	12	11	72.12
LFX65BU-PEX RIK	0045801	3/4	098268454642	12	14	85.16
LFX65BU-PEX RIK	0045802	1	098268454659	12	15	103.06

\*The wetted surface of this product contacted by consumable water contains less than one quarter of one percent (0.25%) of lead by weight.

Model	Ordering Code	Size (in.)	UPC	Qty. Per Carton	Weight Per Carton (lbs.)	List Price (each)
<b>Series LFX65B — RIK Rough-In Kit</b>						
<b>Double Union PEX Union Inlet x PEX Union Outlet</b>						
LFX65BDU-PEX RIK	0045803	1/2	098268454666	12	13	\$ 79.20
LFX65BDU-PEX RIK	0045804	3/4	098268454673	12	17	92.25
LFX65BDU-PEX RIK	0045805	1	098268454680	12	20	110.15
<b>Threaded Female Inlet x CPVC Union Outlet</b>						
LFX65BU-CPVC RIK	0045806	3/4	098268454697	12	14	59.21
LFX65BU-CPVC RIK	0045807	1	098268454703	12	15	81.65
<b>Double Union PEX Inlet x CPVC Union Outlet</b>						
LFX65BDU-CPVC RIK	0045808	3/4	098268454710	12	17	75.41
LFX65BDU-CPVC RIK	0045809	1	098268454727	12	20	95.93
<b>Threaded Female Union Inlet x NPT Threaded Union Outlet</b>						
<b>Standard Pressure Cartridges</b>						
LFX65B CartAssy-STD	0045826	1/2-3/4	098268491487	12	10	101.39
LFX65B CartAssy-STD	0045827	1	098268491494	12	15	125.91
LFX65B CartAssy-STD	0045828	1 1/4	098268491500	6	12	302.82
LFX65B CartAssy-STD	0045829	1 1/2-2	098268491517	6	35	637.88
<b>Threaded Female Union Inlet x NPT Threaded Union Outlet</b>						
<b>High Pressure Cartridges</b>						
LFX65B CartAssy-HP	0045830	1/2-3/4	098268491524	12	11	126.72
LFX65B CartAssy-HP	0045831	1	098268491531	12	17	157.40
LFX65B CartAssy-HP	0045832	1 1/4	098268491548	1	2	378.53
LFX65B CartAssy-HP	0045833	1 1/2-2	098268491555	1	11	797.35

\*The wetted surface of this product contacted by consumable water contains less than one quarter of one percent (0.25%) of lead by weight.



LFN223F-M2



LF223S

**SERIES 223, 223S, N223B:**
**Options**

- B** – Built-in bypass feature;  
list price 5% extra
- HP** – High pressure range 75 –  
125psi;  
price 25% extra (223  
Series only)
- LP** – Low pressure range 10 –  
35psi;  
price 25% extra (223  
Series only)
- Z3** – Corrosion-resistant  
adjusting and cage  
screws for waterworks pit  
installations  
list price 10% extra  
(½ – 1)

Model	Ordering Code	Size (in.)	UPC	Qty. Per Carton	Weight Per Carton (lbs.)	List Price (each)
<b>Series LF223</b>						
<b>High Performance and High Capacity Without Strainer - Threaded Female Connections</b>						
LF223	0298500	1/2	098268349375	6	23	\$ 379.49
LF223	0298514	3/4	098268349511	6	32	379.49
LF223	0298533	1	098268349702	6	45	587.59
LF223	0298553	1 1/4	098268349917	6	59	1051.85
LF223	0298568	1 1/2	098268350401	1	20	1587.06
LF223	0298585	2	098268350623	1	33	2293.58
LF223	0298601	2 1/2	098268350784	1	76	2522.61
LFN223-B-M2	0298602	2 1/2	098268350791	1	76	3068.75
LFN223-B-M1	0298615	3	098268350944	1	70	3568.19
LF223-S	0298510	1/2	098268349474	6	27	424.00
LF223-S	0298524	3/4	098268349610	6	34	424.00
LF223-S	0298546	1	098268349832	1	9	608.00
LF223-S	0298561	1 1/4	098268350272	1	11	1052.65
LF223-S	0298574	1 1/2	098268350463	1	20	1540.70
LF223-S	0298594	2	098268350715	1	34	2247.05

\*The wetted surface of this product contacted by consumable water contains less than one quarter of one percent (0.25%) of lead by weight.

**SERIES LFN45B:**  
**Standard Features**

Corrosion-resistant adjusting screw and sealed cage for waterworks pit installations



LFN45BU



LFN45BDU

Model	Ordering Code	Size (in.)	UPC	Qty. Per Carton	Weight Per Carton (lbs.)	List Price (each)
<b>Series LFN45B</b>						
<b>Bypass - Max. inlet 400psi</b>						
<b>Threaded Female Inlet x NPT Threaded Female Outlet</b>						
LFN45BM1	0009470	1/2	098268332308	12	24	\$ 132.91
LFN45BM1	0009477	3/4	098268332391	12	24	165.38
LFN45BM1	0009489	1	098268332575	12	32	185.76
LFN45B	0009503	1 1/4	098268332728	1	7	466.43
LFN45B	0009514	1 1/4	098268332827	1	8	743.24
LFN45B	0009523	2	098268332926	1	9	998.33
<b>Threaded Female Union Inlet x NPT Threaded Female Outlet</b>						
LFN45BM1-U	0009471	1/2	098268332315	12	24	138.98
LFN45BM1-U	0009478	3/4	098268332407	12	24	151.27
LFN45BM1-U	0009490	1	098268332582	12	33	195.14
LFN45BU	0009504	1 1/4	098268332735	1	7	452.70
LFN45BU	0009516	1 1/2	098268332858	1	8	725.40
LFN45BU	0009526	2	098268332940	1	9	950.80
<b>Solder Union Inlet x NPT Threaded Female Outlet</b>						
LFN45BM1-U-S	0009473	1/2	098268332339	12	2	123.65
LFN45BM1-U-S	0009480	3/4	098268332438	12	24	151.27
LFN45BM1-U-S	0009492	1	098268332605	12	33	195.14
LFN45BU-S	0009505	1 1/4	098268332742	1	7	452.70
LFN45BU-S	0009517	1 1/2	098268332872	1	7	725.40
LFN45BU-S	0009527	2	098268332957	1	9	950.80
<b>Double Union/Threaded Female Union Inlet x NPT Threaded Female Union Outlet</b>						
LFN45BM1-DU	0009472	1/2	098268332322	12	31	154.10
LFN45BM1-DU	0009479	3/4	098268332414	12	27	165.38
LFN45BM1-DU	0009491	1	098268332599	6	35	218.70
LFN45BDU	0009512	1 1/4	098268332803	1	8	552.29
LFN45BDU	0009520	1 1/2	098268527605	1	9	888.77
LFN45BDU	0009530	2	098268333015	1	10	947.70
<b>Double Union/Solder Union Inlet x Solder Union Outlet</b>						
LFN45BM1-DU-S	0009474	1/2	098268332346	12	2	136.75
LFN45BM1-DU-S	0009481	3/4	098268332469	12	30	165.38
LFN45BM1-DU-S	0009493	1	098268332612	6	35	218.70
LFN45BDU-S	0009801	1 1/4	098268428612	1	8	552.29
LFN45BDU-S	0009800	1 1/2	098268428605	1	9	888.77
LFN45BDU-S	0009533	2	098268333046	1	11	1140.68
<b>Double Union PEX Inlet x PEX Union Outlet</b>						
LFN45BM1-DU-PEXxPEX	0009485	3/4	098268332520	12	2	146.95

\*The wetted surface of this product contacted by consumable water contains less than one quarter of one percent (0.25%) of lead by weight.

**SERIES LFN55:**
**Standard Features**

Corrosion-resistant adjusting screw and sealed cage for waterworks pit installations

**Options**
**G** - 1/2" Gauge port tapped and plugged, add 5% to list price.

**GG** - 1/2" Gauge port and Gauge (160psi), add 15% to list price (1/2 - 1), add 5% to list price (1 1/4 - 2)

**LP** - Low Pressure range (10-35psi, set pressure 30psi) add 10% to list price


LFN55BU



LFN55BDU

Model	Ordering Code	Size (in.)	UPC	Qty. Per Carton	Weight Per Carton (lbs.)	List Price (each)
<b>Series LFN55B</b>						
<b>Bypass - Max. inlet 400psi</b>						
<b>Double Union/Threaded Female Inlet x NPT Threaded Female Outlet</b>						
LFN55BM1-DU	0009536	1/2	098268333060	12	33	\$ 168.14
LFN55BM1-DU	0009585	3/4	098268333633	12	29	179.55
LFN55BM1-DU	0009635	1	098268334234	12	37	232.81
LFN55BDU	0009671	1 1/4	098268334616	1	10	566.39
LFN55BDU	0009680	1 1/2	098268334661	1	11	903.02
LFN55BDU	0009688	2	098268334715	1	13	1154.93
<b>Double Union/Solder Union Inlet x Solder Union Outlet</b>						
LFN55BM1-DU-S	0009537	1/2	098268333077	12	32	168.14
LFN55BM1-DU-S	0009586	3/4	098268333640	12	32	179.55
LFN55BM1-DU-S	0009636	1	098268334241	12	37	232.81
LFN55BDU-S	0009672	1 1/4	098268334623	1	10	566.39
LFN55BDU-S	0009681	1 1/2	098268334678	1	11	903.02
LFN55BDU-S	0009689	2	098268334722	1	13	1154.93
<b>Threaded Female Inlet x NPT Threaded Female Outlet</b>						
LFN55BM1	0009538	1/2	098268333084	12	26	147.15
LFN55BM1	0009588	3/4	098268333688	12	26	160.92
LFN55BM1	0009638	1	098268334265	12	34	199.87
LFN55B	0009673	1 1/4	098268334630	1	9	480.67
LFN55B	0009682	1 1/2	098268334685	1	7	673.30
LFN55B	0009690	2	098268334739	1	11	1012.50
<b>Double Union PEX Inlet x PEX Union Outlet</b>						
LFN55BM1-DU-PEX	0009587	3/4	098268333657	12	26	202.77
LFN55BM1-DU-PEX	0009637	1	098268334258	12	3	218.10
<b>Threaded Female Union Inlet x NPT Threaded Female Outlet</b>						
LFN55M1-BU	0009539	1/2	098268333091	12	25	153.23
LFN55BM1-U	0009589	3/4	098268333701	12	26	167.20
LFN55BM1-U	0009639	1	098268334272	12	34	209.32
LFN55BU	0009674	1 1/4	098268334647	4	9	523.46
LFN55BU	0009683	1 1/2	098268334692	1	10	830.32
LFN55BU	0009691	2	098268334746	1	11	1083.85
<b>Solder Union Inlet x NPT Threaded Female Outlet</b>						
LFN55BM1-US	0009540	1/2	098268333107	12	24	136.20
LFN55BM1-US	0009590	3/4	098268333718	12	26	164.23
LFN55BM1-US	0009640	1	098268334289	12	34	209.32
LFN55BU-S	0009675	1 1/4	098268334654	1	7	465.40
LFN55BU-S	0009684	1 1/2	098268334708	1	8	738.15
LFN55BU-S	0009692	2	098268334753	1	10	963.30

\*The wetted surface of this product contacted by consumable water contains less than one quarter of one percent (0.25%) of lead by weight.



LF26A

Model	Ordering Code	Size (in.)	UPC	Qty. Per Carton	Weight Per Carton (lbs.)	List Price (each)
-------	---------------	------------	-----	-----------------	--------------------------	-------------------

**Series LF26A**
**Water Pressure Regulators - Standard Capacity**
**Water, No. 2 Fuel Oil - Max. initial pressure 300psi**
**Pressure range: "A" 1-25, "B" 3-50†, "C" 10-125, "D" 50-175psi**

LF26A 001025 "A"	0009810	1/4	098268428674	25	25	\$ 116.71
LF26A 1-25 "A"	0009814	3/8	098268428711	25	25	116.71
LF26A 1-25 "A"	0009818	1/2	098268428759	12	14	152.42
LF26A 3-50 "B"	0009811	1/4	098268428681	25	25	116.71
LF26A 3-50 "B"	0009815	3/8	098268428728	25	25	116.71
LF26A 3-50 "B"	0009819	1/2	098268428766	12	14	152.42
LF26A 10-125 "C"	0009812	1/4	098268428698	25	25	116.71
LF26A 10-125 "C"	0009816	3/8	098268428735	25	25	116.71
LF26A 10-125 "C"	0009820	1/2	098268428773	12	14	152.42
LF26A 50-175 "D"	0009817	3/8	098268428742	25	25	116.71

**Series LF263A**
**Compact Water Pressure Regulators**

LF263A 3-50 "B"	0009821	1/4	098268428780	25	25	127.10
LF263A 3-50 "B"	0009827	3/8	098268428841	25	25	127.10
LF263A 3-50 "B"	0009835	1/2	098268428926	12	14	164.16
LF263A 10-125 "C"	0009823	1/4	098268428803	25	25	127.10
LF263A 10-125 "C"	0009828	3/8	098268428858	25	25	127.10
LF263A 10-125 "C"	0009836	1/2	098268428933	12	14	164.16
LF263A 1-25 "A"	0009826	3/8	098268428834	25	25	127.10
LF263A 1-25 "A"	0009834	1/2	098268428919	12	14	164.16
LF263A 50-175 "D"	0009837	1/2	098268428940	12	14	164.16

**Series LF263AP**

LF263AP 20-175	0009898	1/2	098268430530	12	15	358.16
----------------	---------	-----	--------------	----	----	--------

**Compact Water Pressure Regulator - Stainless Steel Body**
**"A" 1-25, "B" 3-50, "C" 10-125, "D" 50-175, "E" 100-300psi**

SS263AP-M1 "A"	0335115	1/2	098268081046	12	25	628.90
SS263AP-M1 "B"	0335077	1/2	098268197617	12	25	628.90
SS263AP-M1 "C"	0335078	1/2	098268197624	12	25	628.90
SS263AP-M1 "D"	0335079	1/2	098268197631	12	25	628.90
SS263AP-M1 "E"	0335080	1/2	098268197648	12	25	628.90

**Compact Plastic Pressure Fluid Regulator - For general purpose, OEM and irrigation applications - Max. inlet 300psi**
**Pressure Range "A" 0-25, "B" 0-60, "C" 0-125†psi**

P60M5	†0363003	1/4		50	8.5	58.21
-------	----------	-----	--	----	-----	-------

† Indicates ordering code numbers for the pressure range shown with (†)

\*The wetted surface of this product contacted by consumable water contains less than one quarter of one percent (0.25%) of lead by weight.

Model	Size	Carton Qty	Weight Per Carton (lbs.)	Threaded List Price	150# FLG List Price	300# FLG List Price
<b>Float Control Series</b>						
<b>LFF110-14 or LFM110-14 Globe / LFF1110-14 or LFM1110-14 Angle On/Off Float Valve</b>						
LFF110-14 / LFM110-14 / LFF1110-14 / LFM1110-14	1 1/4	1	40	\$3149.00	-	-
LFF110-14 / LFM110-14 / LFF1110-14 / LFM1110-14	1 1/2	1	40	3149.00	\$3260.00	-
LFF110-14 / LFM110-14 / LFF1110-14 / LFM1110-14	2	1	40	3178.00	3362.00	\$3387.00
LFF110-14 / LFM110-14 / LFF1110-14 / LFM1110-14	2 1/2	1	80	3345.00	3600.00	3737.00
LFF110-14 / LFM110-14 / LFF1110-14 / LFM1110-14	3	1	80	3561.00	3645.00	3795.00
LFF110-14 / LFM110-14 / LFF1110-14 / LFM1110-14	4	1	130	-	4719.00	5213.00
LFF110-14 / LFM110-14 / LFF1110-14 / LFM1110-14	6	1	230	-	6325.00	6624.00
LFF110-14 / LFM110-14 / LFF1110-14 / LFM1110-14	8	1	450	-	9795.00	10,234.00

Additional Rods: Stainless Steel 12"...add \$51.00 each.  
 Option: Stainless Steel Isolation Cocks for valves 1 1/4" - 3" ... add \$325.00.

**Solenoid On/Off Series**
**LFF113-12 or LFM113-12 Globe / LFF1113-12 or LFM1113-12 Angle Solenoid On/Off Valve**

LFF113-12 / LFM113-12 / LFF1113-12 / LFM1113-12	1 1/4	1	40	1741.00	-	-
LFF113-12 / LFM113-12 / LFF1113-12 / LFM1113-12	1 1/2	1	40	1757.00	-	-
LFF113-12 / LFM113-12 / LFF1113-12 / LFM1113-12	2	1	40	1793.00	2042.00	Consult
LFF113-12 / LFM113-12 / LFF1113-12 / LFM1113-12	2 1/2	1	80	2052.00	2067.00	Consult
LFF113-12 / LFM113-12 / LFF1113-12 / LFM1113-12	3	1	80	2100.00	2204.00	Consult
LFF113-12 / LFM113-12 / LFF1113-12 / LFM1113-12	4	1	130	-	3128.00	Consult

Option: Stainless Steel Isolation Cocks for valves 1 1/4" - 3" ... add \$325.00.

**LFF113-6 or LFM113-6 Globe / LFF1113-6 or LFM1113-6 Angle Solenoid On/Off Valve**

LFF113-6 / LFM113-6 / LFF1113-6 / LFM1113-6	6	1	230	-	6284.00	6615.00
LFF113-6 / LFM113-6 / LFF1113-6 / LFM1113-6	8	1	450	-	8559.00	8740.00

Note: Manual Operator Standard, specify voltage, specify energize to open or close main valve.

**Pressure Reducing Series**
**LFF115 or LFM115 Globe / LFF1115 or LFM1115 Angle Pressure Reducing Valve**

LFF115 / LFM115 / LFF1115 / LFM1115	1 1/4	1	45	2428.00	-	-
LFF115 / LFM115 / LFF1115 / LFM1115	1 1/2	1	45	2428.00	2500.00	-
LFF115 / LFM115 / LFF1115 / LFM1115	2	1	45	2460.00	2839.00	2911.00
LFF115 / LFM115 / LFF1115 / LFM1115	2 1/2	1	80	2786.00	2895.00	3169.00
LFF115 / LFM115 / LFF1115 / LFM1115	3	1	80	2831.00	2971.00	3146.00
LFF115 / LFM115 / LFF1115 / LFM1115	4	1	130	-	3930.00	3956.00
LFF115 / LFM115 / LFF1115 / LFM1115	6	1	230	-	5225.00	5461.00
LFF115 / LFM115 / LFF1115 / LFM1115	8	1	450	-	7802.00	9063.00

Note: uses 263SS Pressure Reducing Control (std. 20-175psi)  
 Option: Stainless Steel Isolation Cocks for valves 1 1/4" - 3" ... add \$325.00.



\*The wetted surface of this product contacted by consumable water contains less than one quarter of one percent (0.25%) of lead by weight.



Model	Size	Qty. Per Carton	Weight Per Carton (lbs.)	Threaded List Price	150# FLG List Price	300# FLG List Price
-------	------	-----------------	--------------------------	---------------------	---------------------	---------------------

**Pressure Reducing Series**
**LFF115-2 or LFM115-2 Globe / LFF1115-2 or LFM1115-2 Angle**
**Pressure Reducing / Sustaining Valve**

LFF115-2 / LFM115-2 / LFF1115-2 / LFM1115-2	1 1/4	1	55	\$3750.00	-	-
LFF115-2 / LFM115-2 / LFF1115-2 / LFM1115-2	1 1/2	1	55	3761.00	\$3815.00	-
LFF115-2 / LFM115-2 / LFF1115-2 / LFM1115-2	2	1	55	3784.00	3875.00	\$3963.00
LFF115-2 / LFM115-2 / LFF1115-2 / LFM1115-2	2 1/2	1	95	4096.00	4297.00	4295.00
LFF115-2 / LFM115-2 / LFF1115-2 / LFM1115-2	3	1	95	4169.00	4288.00	4389.00
LFF115-2 / LFM115-2 / LFF1115-2 / LFM1115-2	4	1	150	-	5222.00	5472.00
LFF115-2 / LFM115-2 / LFF1115-2 / LFM1115-2	6	1	240	-	6427.00	7122.00
LFF115-2 / LFM115-2 / LFF1115-2 / LFM1115-2	8	1	460	-	9410.00	10,461.00

Note: uses 263SS Pressure Reducing Control (std. 20-175psi) and SS Pressure Sustaining Control (std. 20-200psi)  
 Option: Stainless Steel Isolation Cocks for valves 1 1/4" - 3" ... add \$325.00.

**LFF115-3 or LFM115-3 Globe / LFF1115-3 or LFM1115-3 Angle**
**Pressure Reducing / Check Valve**

LFF115-3 / LFM115-3 / LFF1115-3 / LFM1115-3	1 1/4	1	45	3026.00	-	-
LFF115-3 / LFM115-3 / LFF1115-3 / LFM1115-3	1 1/2	1	45	3026.00	3154.00	-
LFF115-3 / LFM115-3 / LFF1115-3 / LFM1115-3	2	1	45	3057.00	3434.00	3537.00
LFF115-3 / LFM115-3 / LFF1115-3 / LFM1115-3	2 1/2	1	80	3387.00	3493.00	3582.00
LFF115-3 / LFM115-3 / LFF1115-3 / LFM1115-3	3	1	80	3430.00	3574.00	3722.00
LFF115-3 / LFM115-3 / LFF1115-3 / LFM1115-3	4	1	130	-	4544.00	4549.00
LFF115-3 / LFM115-3 / LFF1115-3 / LFM1115-3	6	1	230	-	5821.00	6800.00
LFF115-3 / LFM115-3 / LFF1115-3 / LFM1115-3	8	1	450	-	8352.00	9660.00

Note: uses 263SS Pressure Reducing Control (std. 20-175psi) and Poppet Check Valves  
 Option: Stainless Steel Isolation Cocks for valves 1 1/4" - 3" ... add \$325.00.

**LFF115-4 or LFM115-4 Globe / LFF1115-4 or LFM1115-4 Angle**
**Pressure Reducing / Solenoid Valve**

LFF115-4 / LFM115-4 / LFF1115-4 / LFM1115-4	1 1/4	1	45	3060.00	-	-
LFF115-4 / LFM115-4 / LFF1115-4 / LFM1115-4	1 1/2	1	45	3067.00	3180.00	-
LFF115-4 / LFM115-4 / LFF1115-4 / LFM1115-4	2	1	45	3101.00	3264.00	3443.00
LFF115-4 / LFM115-4 / LFF1115-4 / LFM1115-4	2 1/2	1	80	3414.00	3419.00	3600.00
LFF115-4 / LFM115-4 / LFF1115-4 / LFM1115-4	3	1	80	3336.00	3588.00	3725.00
LFF115-4 / LFM115-4 / LFF1115-4 / LFM1115-4	4	1	130	-	4551.00	4607.00
LFF115-4 / LFM115-4 / LFF1115-4 / LFM1115-4	6	1	230	-	5501.00	6216.00
LFF115-4 / LFM115-4 / LFF1115-4 / LFM1115-4	8	1	450	-	8756.00	9428.00

Note: uses 263SS Pressure Reducing Control (std. 20-175psi) and SS 2-Way ASCO Solenoid  
 Option: Stainless Steel Isolation Cocks for valves 1 1/4" - 3" ... add \$325.00.

**LFF115-7 or LFM115-7 Globe / LFF1115-7 or LFM1115-7 Angle**
**Pressure Reducing / Surge Valve**

LFF115-7 / LFM115-7 / LFF1115-7 / LFM1115-7	1 1/4	1	55	3750.00	-	-
LFF115-7 / LFM115-7 / LFF1115-7 / LFM1115-7	1 1/2	1	55	3761.00	3815.00	-
LFF115-7 / LFM115-7 / LFF1115-7 / LFM1115-7	2	1	55	3784.00	3875.00	3963.00
LFF115-7 / LFM115-7 / LFF1115-7 / LFM1115-7	2 1/2	1	95	4096.00	4297.00	4295.00
LFF115-7 / LFM115-7 / LFF1115-7 / LFM1115-7	3	1	95	4169.00	4288.00	4389.00
LFF115-7 / LFM115-7 / LFF1115-7 / LFM1115-7	4	1	150	-	5222.00	5472.00
LFF115-7 / LFM115-7 / LFF1115-7 / LFM1115-7	6	1	240	-	6427.00	7122.00
LFF115-7 / LFM115-7 / LFF1115-7 / LFM1115-7	8	1	460	-	9410.00	10,461.00

Note: uses 263SS Pressure Reducing Control (std. 20-175psi) and PV20SS Surge Control (std. 20-200psi)  
 Option: Stainless Steel Isolation Cocks for valves 1 1/4" - 3" ... add \$325.00.

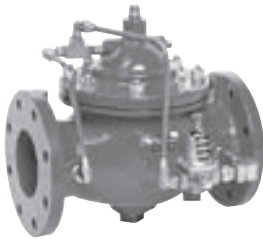
\*The wetted surface of this product contacted by consumable water contains less than one quarter of one percent (0.25%) of lead by weight.

Model	Size	Carton Qty	Weight Per Carton (lbs.)	Threaded List Price	150# FLG List Price	300# FLG List Price
<b>JM Pressure Reducing Series</b>						
<b>LF6115-JM Pressure Reducing Control Valve (flow range: 30 - 580 gpm)</b>						
LF6115-JM Globe Pattern, 150# Flanged	4	1	135	-	\$4265.00	-

<b>LF6115-7JM Pressure Reducing and Downstream Surge Control Valve (flow range: 30 - 580 gpm)</b>						
LF6115-7JM Globe Pattern, 150# Flanged	4	1	140	-	5497.00	-

Model	Size	Qty. per Carton	Est. Lbs. per Carton	Threaded List Price	150# FLG List Price	300# FLG List Price
<b>Pressure Relief / Sustaining Series</b>						
<b>LFF116 or LFM116 Globe / LFF1116 or LFM1116 Angle Pressure Relief / Sustaining Valve</b>						
LFF116 / LFM116 / LFF1116 / LFM1116	1 1/4	1	50	3093.00	-	-
LFF116 / LFM116 / LFF1116 / LFM1116	1 1/2	1	50	3093.00	3387.00	-
LFF116 / LFM116 / LFF1116 / LFM1116	2	1	50	3132.00	3387.00	3356.00
LFF116 / LFM116 / LFF1116 / LFM1116	2 1/2	1	80	3461.00	3487.00	3822.00
LFF116 / LFM116 / LFF1116 / LFM1116	3	1	80	3568.00	3665.00	3859.00
LFF116 / LFM116 / LFF1116 / LFM1116	4	1	130	-	4980.00	5045.00
LFF116 / LFM116 / LFF1116 / LFM1116	6	1	230	-	6198.00	6942.00
LFF116 / LFM116 / LFF1116 / LFM1116	8	1	455	-	8866.00	9702.00

Note: uses PV20SS Pressure Relief / Sustaining Control (std. 20-200psi)  
 Option: Stainless Steel Isolation Cocks for valves 1 1/4" - 3" ... add \$325.00



Lead Free Series Materials of Construction	
<b>Body &amp; Cover</b>	Ductile Iron - NSF 61 Approved Fusion Bonded Epoxy Coating (100% in/out)
<b>Cover Bearing</b>	Stainless Steel
<b>Valve Trim</b>	Stainless Steel
<b>Elastomers</b>	Buna-N
<b>Tubing &amp; Fittings</b>	Stainless Steel
<b>Pressure Reducing Control</b>	263SS - Stainless Steel / Buna-N
	<b>Range</b> 20-175psi
<b>Pressure Relief Control</b>	PV20SS - Stainless Steel / Buna-N
	<b>Range</b> 20-200psi
<b>Pressure Sustaining Control</b>	PV20SS - Stainless Steel / Buna-N
	<b>Range</b> 20-200psi
<b>Surge Control</b>	PV20SS - Stainless Steel / Buna-N
	<b>Range</b> 20-200psi
<b>Check Valves</b>	Stainless Steel
<b>Solenoid Control</b>	ASCO - Stainless Steel

\*The wetted surface of this product contacted by consumable water contains less than one quarter of one percent (0.25%) of lead by weight.



LF530C

Model	Ordering Code	Size (in.)	UPC	Qty. Per Carton	Weight Per Carton (lbs.)	List Price (each)
<b>Specialty Relief Valves</b>						
<b>Series LF530-C</b>						
LF530-C	0556035	1/2	098268435191	50	26	\$ 55.55
LF530-C	0556036	3/4	098268435207	50	28	59.33

**TEMPERATURE & PRESSURE RELIEF VALVES**

T&P Relief Valves on this page are certified by CSA and meet current F.H.A. requirements and American National Standard Z21.22.

**STANDARD RELIEF VALVE SETTINGS:**

Due to excessive costs of producing non-standard special settings in small quantities, we find it necessary to limit available pressure relief settings to 75,100,125,150psi. Temperature 210°F.

If special settings are necessary for large quantity requirements, we will approve pricing at little or no extra cost, depending on type of valve, setting and quantity. Please consult factory.



LF40XL

**A.S.M.E. Self-Closing T&P Relief Valves**

**Series LF40XL**

Model	Ordering Code	Size		Thermostat Length	CSA Temp. Steam BTU/Hr	ASME Pressure Steam Rating BTU/Hr @75psi set pres.	ASME Pressure Steam Rating BTU/Hr @150psi set pres	UPC	Qty. Per Carton	Per Carton Wgt. (lbs.)	List Price (Each)
		Inlet	Outlet								
LF40L-3	0556013	3/4"M	3/4"F	3"	180,000	777,600	1,437,600	098268432480	12	19	\$178.07
LF40XL-5	0556015	3/4"M	3/4"F	5"	205,000	777,600	1,437,600	098268432503	12	20	192.38
LF40XL-8	0556016	3/4"M	3/4"F	8"	205,000	777,600	1,437,600	098268432510	12	22	192.38
LF40L-2	0556006	1"M	1"F	2"	450,000	1,155,000	2,134,000	098268432411	12	26	304.49
LF40XL-4	0556007	1"M	1"F	4"	500,000	1,155,000	2,134,000	098268432428	12	26	304.49
LF40XL-7	0556008	1"M	1"F	7"	500,000	1,155,000	2,134,000	098268432435	12	26	304.49

**A.S.M.E. Self-Closing T&P Relief Valves**

**Thermo-bonded (non-metallic) protective coating on thermostat**

**Series LF100XL**

Model	Ordering Code	Size (in.)	CSA Temp. Steam BTU/Hr	UPC	Qty. Per Carton	Weight Per Carton (lbs.)	List Price (each)
LF100XL 150/210	0556000	3/4	105,000	098268432350	50	37	\$ 23.63
LF100XL8 150/210	0556001	3/4	105,000	098268432367	50	40	26.33
LFL100XL3M7 150/210	0556003	3/4	105,000	098268432381	50	41	43.67
LFL100XL-2 1/2 M7	0556002	3/4	105,000	098268432374	50	41	46.58
LFL100XLZ5 150/210	0556004	3/4	105,000	098268432398	50	46	50.42

Set @ 150psi pressure relief. Consult factory for additional pressure settings.  
**OPTION: SOLAR** – Model 100XL/1XL, specify Suffix Z9 stainless steel lever and pin for outside solar applications. Net price \$1.70 extra. Suffix Z11 for 180°F thermostat. Net price \$2.00 extra. Consult factory for additional pressure settings and ordering codes.

**Temperature Gas Shutoff Valves**

**Design Certified to ANSI Z21.87 -**

**Automatic Gas Shutoff devices for hot water supply systems**

**Series LF210-5M2**

LF210-5 M2	0556025	3/4	150,000 (natural gas) 243,000 (LP gas)	098268432602	25	28	186.98
LFL210-5 M2	0556026	3/4	150,000 (natural gas) 243,000 (LP gas)	098268432619	25	28	210.20
LFL210-5 M2	0556027	3/4	150,000 (natural gas) 243,000 (LP gas)	098268432626	25	29	227.95



LF100XL



LF210-5

\*The wetted surface of this product contacted by consumable water contains less than one quarter of one percent (0.25%) of lead by weight.



LFN36M1



PLT-12



DETA

Model	Ordering Code	Size (in.)	UPC	Qty. Per Carton	Weight Per Carton (lbs.)	List Price (each)
-------	---------------	------------	-----	-----------------	--------------------------	-------------------

**Vacuum Relief Valves - CSA/ANSI Z21.22 - Water and Steam Service**
**Series LFN36**

LFN36M1	0556030	1/2	098268450408	24	35	\$ 56.70
LFN36M1	0556031	3/4	098268450415	24	38	71.21

**Potable Water Expansion Tanks**
**Max. temp. 160° - Max. pressure 150psi - Precharge 20psi**

†PLT-5	0067370	-	098268095739	1	5.5	90.85
†PLT-12	0067371	-	098268095753	1	11	125.10
PLT-20	0067372	-	098268483161	1	21	251.14
PLT-35	0067373	-	098268483178	1	25	319.50

†Available in pallet quantities (PLT-5-M1, 180), (PLT-12-M1, 70).

**ASME Pressurized Expansion Tanks - For Potable Hot Water**

DETA-5	0212026	-	098268913484	1	22	1075.44
DETA-12	0212027	-	098268913491	1	28	1238.36
DETA-20	0212028	-	098268913507	1	34	1377.63

\*The wetted surface of this product contacted by consumable water contains less than one quarter of one percent (0.25%) of lead by weight.



8P

Model	Ordering Code	Size (in.)	Body	UPC	Qty. Per Carton	Weight Per Carton (lbs.)	List Price (each)
<b>Hose Connection Atmospheric Vacuum Breaker</b>							
		Inlet	Outlet				
8P	0061868	3/4 f	3/4 m	0982688004137	72	18	\$ 9.04

**In-Line, Continuous Pressure Backflow Preventer**

LFN9	0792097	3/8	Brass	0982688434842	50	24	122.43
LFN9C	0792098	3/8	Brass	0982688434859	50	24	135.30

**Series 9BD**
**Vented Triple Check - For Carbonated Beverage Vending Machine**

9BD	0061894	3/8" FCT x 3/8" FCT		0982688004328	50	20	220.25
9BD	0061911	1/4" NPT x 1/4" NPT		0982688004496	50	35	220.25
9BD	0061913	3/8		0982688004519	50	22	220.25



9BD

**Stainless Steel Dual Check - For Carbonated Beverage Machines**
**Series SD2**

SD2-MF	0061651	1/4		098268848892	50	5	81.38
SD2-MF	0061655	3/8		098268848939	50	17	86.92



SD2

**Series SD3**

SD3-MF	0061653	1/4		098268848915	25	12.5	189.48
SD3-MF	0061657	3/8		098268848953	25	9.5	189.48



SD3

**Anti-Siphon Vacuum Breakers**
**Brass Body**

LF288A	0792036	1/4	Brass	0982688434224	50	22	68.73
LF288A	0792037	3/8	Brass	0982688434231	50	20	68.73
LF288A	0792038	1/2	Brass	0982688434248	50	31	77.94
LF288A	0792039	3/4	Brass	0982688434255	24	20	92.22
LF288AM4	0792040	1	Brass	0982688434262	12	20	143.99



LF288A

\*The wetted surface of this product contacted by consumable water contains less than one quarter of one percent (0.25%) of lead by weight.



LF800M4QT



LF800M4FR



LF008PCQT



LF7

Model	Ordering Code	Size (in.)	Body	UPC	Qty. Per Carton	Weight Per Carton (lbs.)	List Price (each)
-------	---------------	------------	------	-----	-----------------	--------------------------	-------------------

**Pressure Vacuum Breakers**
**With Quarter-Turn Shutoffs**

LF800M4-QT	0792010	1/2	Bronze	098268433883	1	4	\$249.31
LF800M4-QT	0792011	3/4	Bronze	098268433890	1	4	249.31
LF800M4-QT	0792012	1	Bronze	098268433906	1	7	257.95

**Freeze Protection Pressure Vacuum Breakers -  
Designed to be left out in the cold.**

LF800M4-FR	0792016	1/2	Bronze	098268433883	1	4	273.65
LF800M4-FR	0792017	3/4	Bronze	098268433890	1	4	273.65
LF800M4-FR	0792018	1	Bronze	098268433906	1	7	277.57

**Spill-Resistant, Anti-Siphon Vacuum Breakers**
**With Polymer Coating**

LF008PC-QT	0792023	3/8	Bronze	098268434064	1	1.6	359.75
LF008PC-QT	0792024	1/2	Bronze	098268434071	1	1.7	359.75
LF008PC-QT	0792025	3/4	Bronze	098268434088	1	3.8	454.87
LF008PC-QT	0792026	1	Bronze	098268434095	1	4.8	502.35

**With Satin Chrome Finish**

LF008PCSC-QT	0792027	3/8	Bronze	098268434101	1	1.6	787.71
LF008PCSC-QT	0792028	1/2	Bronze	098268434118	1	1.7	787.71
LF008PCSC-QT	0792029	3/4	Bronze	098268434125	1	3.8	1169.93
LF008PCSC-QT	0792030	1	Bronze	098268434132	1	4.8	1331.68

**Dual Check Valves**

LF7	0792076	3/8	Bronze	098268434637	12	20	122.09
LF7C	0792077	3/8	Bronze	098268434644	12	20	131.59
LF7 U2-2	0792069	3/4	Bronze	098268434569	6	18	139.56
LF7 U2-2	0792070	1	Bronze	098268434576	6	18	153.85

\*The wetted surface of this product contacted by consumable water contains less than one quarter of one percent (0.25%) of lead by weight.



SS007QT



LF007QT



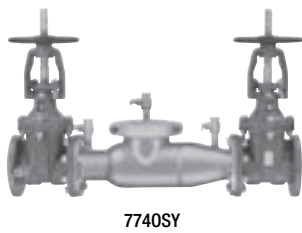
LF719QT



LF7090SY

Model	Ordering Code	Size (in.)	Body	UPC	Qty. Per Carton	Weight Per Carton (lbs.)	List Price (each)
<b>Double Check Valve Assemblies</b>							
<b>Stainless Steel Body with Quarter-Turn Shutoff</b>							
SS007M3QT	0062695	1/2	S.S.	098268817119	1	3	\$ 1548.28
SS007M3QT	0062696	3/4	S.S.	098268817126	1	9	1616.69
SS007M1QT	0062692	1	S.S.	098268572056	1	10	2162.85
<b>With Quarter-Turn Shutoff Valves</b>							
LF007-QT	0063230	1/2	Bronze	098268209723	1	5	433.44
LF007M3-QT	0063231	3/4	Bronze	098268209730	1	10	489.37
LF007M1-QT	0063232	1	Bronze	098268209747	1	12	555.17
LF007M2-QT	0063233	1 1/4	Bronze	098268209754	1	28	815.64
LF007M2-QT	0063234	1 1/2	Bronze	098268209761	1	29	1028.51
LF007M1-QT	0063235	2	Bronze	098268209778	1	32	1153.11
LF007-QT	0063236	2 1/2	Iron	098268507522	1	150	2333.07
LF007-QT	0063237	3	Iron	098268507539	1	158	2560.63
<b>With NRS Resilient Seated Shutoff Valves</b>							
DLF007-NRS	0792150	2 1/2	Iron	098268437324	1	203	3817.23
DLF007-NRS	0792151	3	Iron	098268437331	1	225	4205.23
<b>With OSY Resilient Seated Shutoff Valves</b>							
DLF007-OSY	0792148	2 1/2	Iron	098268437300	1	207	4205.23
DLF007-OSY	0792149	3	Iron	098268437317	1	225	4839.65
<b>With Quarter-Turn Shutoff Valves</b>							
LF719-QT	0065301	1/2	Bronze	098268236613	1	4	412.79
LF719-QT	0065302	3/4	Bronze	098268236620	1	6	466.06
LF719-QT	0065303	1	Bronze	098268236637	1	9	528.71
LF719-QT	0065304	1 1/4	Bronze	098268236644	1	16	776.79
LF719-QT	0065305	1 1/2	Bronze	098268236651	1	19	979.51
LF719-QT	0065306	2	Bronze	098268434125	1	28	1098.23
<b>Less Shutoff Valves</b>							
LF709LF	0792160	2 1/2	Iron	098268437423	1	130	3402.07
LF709LF	0792161	3	Iron	098268437430	1	132	3732.69
LF709LF	0792162	4	Iron	098268437447	1	298	4271.34
LF709LF	0792163	6	Iron	098268437454	1	597	7053.73
LF709LF	0792164	8	Iron	098268437461	1	928	15,029.22
LF709LF	0792165	10	Iron	098268437478	1	1573	19,408.07
<b>With OSY Resilient Seated Shutoff Valves</b>							
DLF709-OSY	0792166	2 1/2	Iron	098268437485	1	170	5193.00
DLF709-OSY	0792167	3	Iron	098268437492	1	170	5946.26
DLF709-OSY	0792168	4	Iron	098268437508	1	383	6616.60
DLF709-OSY	0792169	6	Iron	098268437515	1	707	10,345.96
DLF709-OSY	0792170	8	Iron	098268437522	1	1307	20,454.95
DLF709-OSY	0792171	10	Iron	098268437539	1	2073	28,175.71
<b>With NRS Resilient Seated Shutoff Valves</b>							
DLF709-NRS	0792172	2 1/2	Iron	098268437546	1	167	4855.59
DLF709-NRS	0792173	3	Iron	098268437553	1	167	5332.39
DLF709-NRS	0792174	4	Iron	098268437560	1	368	5903.27
DLF709-NRS	0792175	6	Iron	098268437577	1	627	9489.99
DLF709-NRS	0792176	8	Iron	098268437584	1	1201	19,028.10
DLF709-NRS	0792177	10	Iron	098268437591	1	2003	25,322.63

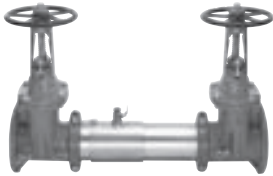
\*The wetted surface of this product contacted by consumable water contains less than one quarter of one percent (0.25%) of lead by weight.



7740SY

Model	Ordering Code	Size (in.)	Body	UPC	Qty. Per Carton	Weight Per Carton (lbs.)	List Price (each)
<b>Double Check Valve Assemblies</b>							
<b>With NRS Resilient Seated Shutoff Valves</b>							
774NRS	0437700	2 1/2	S.S.	098268877991	1	140	\$ 3561.44
774NRS	0437708	3	S.S.	098268878073	1	215	3911.22
774NRS	0438000	4	S.S.	098268875417	1	225	4093.87
774NRS	0438008	6	S.S.	098268795516	1	375	6581.20
774NRS	0438024	8	S.S.	098268795493	1	680	13,195.78
774NRS	0438040	10	S.S.	098268795615	1	763	17,560.89
774NRS	0438080	12	S.S.	098268877335	1	1033	25,103.11
<b>With OSY Resilient Seated Shutoff Valves</b>							
7740SY	0437701	2 1/2	S.S.	098268878004	1	140	3551.87
7740SY	0437709	3	S.S.	098268878172	1	215	4067.18
7740SY	0438001	4	S.S.	098268795424	1	265	4199.22
7740SY	0438009	6	S.S.	098268795523	1	420	6566.00
7740SY	0438025	8	S.S.	098268795486	1	745	12,981.40
7740SY	0438041	10	S.S.	098268795608	1	773	17,881.41
7740SY	0438081	12	S.S.	098268877342	1	1033	24,763.61
<b>With OSY Resilient Seated Shutoff Valves (Grooved Inlet x Flanged Outlet)</b>							
774 OSY GxF	0439501	2 1/2	S.S.	098268264111	1	140	3551.87
774 OSY GxF	0439504	3	S.S.	098268264159	1	215	4067.18
774 OSY GxF	0439507	4	S.S.	098268264180	1	265	4199.22
774 OSY GxF	0439510	6	S.S.	098268264210	1	420	6566.00
774 OSY GxF	0439513	8	S.S.	098268264241	1	745	12,981.40
774 OSY GxF	0439516	10	S.S.	098268264272	1	773	17,881.41
<b>With OSY Resilient Seated Shutoff Valves (Flanged Inlet x Grooved Outlet)</b>							
774 OSY FxG	0439502	2 1/2	S.S.	098268264128	1	140	3551.87
774 OSY FxG	0439505	3	S.S.	098268264166	1	215	4067.18
774 OSY FxG	0439508	4	S.S.	098268264197	1	265	4199.22
774 OSY FxG	0439511	6	S.S.	098268264227	1	420	6566.00
774 OSY FxG	0439514	8	S.S.	098268264258	1	745	12,981.40
774 OSY FxG	0439517	10	S.S.	098268264289	1	773	17,881.41
<b>Less Shutoff Valves</b>							
774LF	0437702	2 1/2	S.S.	098268878073	1	53	2326.98
774LF	0437710	3	S.S.	098268878080	1	53	2553.72
774LF	0438002	4	S.S.	098268795370	1	58	2710.63
774LF	0438010	6	S.S.	098268795585	1	105	4476.67
774LF	0438026	8	S.S.	098268795509	1	169	9538.03
774LF	0438042	10	S.S.	098268795660	1	179	12,317.04
774LF	0438082	12	S.S.	098268877359	1	209	17,665.59

\*The wetted surface of this product contacted by consumable water contains less than one quarter of one percent (0.25%) of lead by weight.



7570SY



757N BFG



757 QT

Model	Ordering Code	Size (in.)	Body	UPC	Qty. Per Carton	Weight Per Carton (lbs.)	List Price (each)
<b>Double Check Valve Assemblies</b>							
<b>With OSY Resilient Seated Shutoff Valves</b>							
757 OSY	0111510	2 1/2	S.S.	098268117639	1	125	\$ 3369.22
757 OSY	0111511	3	S.S.	098268117646	1	145	3706.34
757 OSY	0111512	4	S.S.	098268117653	1	161	4043.47
757 OSY	0111513	6	S.S.	098268117684	1	295	6322.60
757 OSY	0111514	8	S.S.	098268117691	1	480	12,500.17
757 OSY	0111515	10	S.S.	098268118117	1	781	15,815.89
<b>N-Pattern with OSY Resilient Seated Shutoff Valves</b>							
757N OSY	0111516	2 1/2	S.S.	098268118858	1	133	4792.88
757N OSY	0111517	3	S.S.	098268118865	1	158	5146.90
757N OSY	0111518	4	S.S.	098268118902	1	184	6343.31
757N OSY	0111519	6	S.S.	098268118940	1	336	10,150.07
757N OSY	0111520	8	S.S.	098268118995	1	555	18,329.37
757N OSY	0111521	10	S.S.	098268119008	1	951	21,810.98
<b>With NRS Resilient Seated Shutoff Valves</b>							
757 NRS	0111522	2 1/2	S.S.	098268119022	1	115	3131.41
757 NRS	0111523	3	S.S.	098268119039	1	131	3479.41
757 NRS	0111524	4	S.S.	098268119091	1	161	3827.21
757 NRS	0111525	6	S.S.	098268119428	1	273	6152.57
757 NRS	0111526	8	S.S.	098268119602	1	438	12,336.42
757 NRS	0111527	10	S.S.	098268119664	1	721	15,652.13
<b>N-Pattern with NRS Resilient Seated Shutoff Valves</b>							
757N NRS	0111528	2 1/2	S.S.	098268119732	1	123	4437.97
757N NRS	0111529	3	S.S.	098268120295	1	144	4792.04
757N NRS	0111530	4	S.S.	098268120301	1	184	5988.77
757N NRS	0111531	6	S.S.	098268120318	1	314	9772.57
757N NRS	0111532	8	S.S.	098268120325	1	513	17,757.99
757N NRS	0111533	10	S.S.	098268120332	1	891	21,237.77
<b>With UL/FM Butterfly Valve Shutoffs (Gear operated)</b>							
757 BFG	0111534	2 1/2	S.S.	098268120349	1	56	3693.84
757 BFG	0111535	3	S.S.	098268120356	1	54	4030.87
757 BFG	0111536	4	S.S.	098268120363	1	61	4368.10
757 BFG	0111537	6	S.S.	098268120370	1	117	6655.33
757 BFG	0111538	8	S.S.	098268120547	1	261	12,832.90
<b>N-Pattern with UL/FM Butterfly Valve Shutoffs (Gear operated)</b>							
757N BFG	0111540	2 1/2	S.S.	098268120578	1	64	5133.77
757N BFG	0111541	3	S.S.	098268120608	1	67	5487.68
757N BFG	0111542	4	S.S.	098268120622	1	84	6683.99
757N BFG	0111543	6	S.S.	098268120776	1	157	10,499.54
757N BFG	0111746	8	S.S.	098268120764	1	337	13,474.57
<b>With Quarter-Turn Ball Valve Shutoffs</b>							
757 QT	0111757	2 1/2	S.S.	098268300628	1	35	3288.00
757 QT	0111758	3	S.S.	098268231861	1	45	3653.36
<b>N-Pattern with Quarter-Turn Ball Valve Shutoffs</b>							
757N QT	0111765	2 1/2	S.S.	098268126129	1	43	4437.97
757N QT	0111766	3	S.S.	098268126136	1	53	4792.04
<b>N-Pattern with OSY Resilient Seated Shutoff Valves</b>							
757Na OSY	0111702	2 1/2	S.S.	098268125184	1	133	4792.88
757Na OSY	0111703	3	S.S.	098268125191	1	158	5146.90
757Na OSY	0111704	4	S.S.	098268125207	1	184	6343.31
757Na OSY	0111705	6	S.S.	098268125214	1	336	10,150.07

\*The wetted surface of this product contacted by consumable water contains less than one quarter of one percent (0.25%) of lead by weight.

Model	Ordering Code	Size (in.)	Body	UPC	Carton Qty	Weight Per Carton (lbs.)	List Price (each)
-------	---------------	------------	------	-----	------------	--------------------------	-------------------

**Reduced Pressure Zone Assemblies**
**N-Pattern with NRS Resilient Seated Shutoff Valves**

757Na NRS	0111794	2 1/2	S.S.	098268126365	1	123	\$4437.97
757Na NRS	0111795	3	S.S.	098268126372	1	144	4792.04
757Na NRS	0111796	4	S.S.	098268126389	1	184	5988.77
757Na NRS	0111797	6	S.S.	098268126396	1	314	9772.57

**N-Pattern with UL/FM Butterfly Valve Shutoffs (Gear operated)**

757Na BFG	0111710	2 1/2	S.S.	098268125269	1	64	5133.77
757Na BFG	0111711	3	S.S.	098268125276	1	67	5487.68
757Na BFG	0111712	4	S.S.	098268126283	1	84	6683.99
757Na BFG	0111713	6	S.S.	098268126290	1	157	10,499.54

**Stainless Steel Body with Quarter-Turn Shutoff Valve**

SS009M3QT	0062978	1/4	S.S.	098268890631	1	5	2011.65
SS009M3QT	0062979	3/8	S.S.	098268890655	1	5	2117.20
SS009M3QT	0062967	1/2	S.S.	098268817096	1	5	2163.54
SS009M3QT	0062968	3/4	S.S.	098268817102	1	11	2318.24
SS009QT	0062962	1	S.S.	098268572089	1	12	2450.02



SS009QT



LF009QT

**With Quarter-Turn Shutoff Valves**

LF009-QT	0391002	1/2	Bronze	098268051100	1	4.7	641.48
LF009M3-QT	0391003	3/4	Bronze	098268051117	1	6.4	854.35
LF009M2-QT	0391004	1	Bronze	098268051131	1	11.55	1009.05
LF009M2-QT	0391005	1 1/4	Bronze	098268051148	1	16.54	1582.84
LF009M2-QT	0391006	1 1/2	Bronze	098268051155	1	18.44	1657.32
LF009M2-QT	0391007	2	Bronze	098268051162	1	28.3	1966.65

**With NRS Resilient Seated Shutoff Valves**

DLF009-NRS	0792156	2 1/2	Bronze	098268437386	1	207	5061.71
DLF009-NRS	0792157	3	Bronze	098268437393	1	227	5907.68

**With OSY Resilient Seated Shutoff Valves**

DLF009-OSY	0792158	2 1/2	Bronze	098268437409	1	203	4694.25
DLF009-OSY	0792159	3	Bronze	098268437416	1	225	5294.81

**With Quarter-Turn Shutoff Valves**

LF919QT	0065372	3/4	Bronze	098268238518	1	8	813.68
LF919QT	0065373	1	Bronze	098268238556	1	12	961.03
LF919QT	0065374	1 1/4	Bronze	098268238631	1	22	1507.45
LF919QT	0065375	1 1/2	Bronze	098268238648	1	28	1578.43
LF919QT	0065376	2	Bronze	098268238709	1	37	1872.99



LF919QT

**Less Shutoff Valve**

LF909LF	0792188	2 1/2	Iron	098268437706	1	114	4819.65
LF909LF	0792189	3	Iron	098268437713	1	114	5483.62
LF909LF	0792190	4	Iron	098268437720	1	246	6854.60
LF909LF	0792191	6	Iron	098268437737	1	466	11,072.41
LF909M1LF	0792192	8	Iron	098268437744	1	836	19,606.78
LF909M1LF	0792193	10	Iron	098268437751	1	1246	25,968.93

\*The wetted surface of this product contacted by consumable water contains less than one quarter of one percent (0.25%) of lead by weight.

Model	Ordering Code	Size (in.)	Body	UPC	Carton Qty	Weight Per Carton (lbs.)	List Price (each)
-------	---------------	------------	------	-----	------------	--------------------------	-------------------

**Reduced Pressure Zone Assemblies**
**With OSY Resilient Seated Shutoff Valves**

DLF909-OSY	0792194	2 1/2	Iron	098268437768	1	198	\$ 6161.39
DLF909-OSY	0792195	3	Iron	098268437775	1	230	7169.33
DLF909-OSY	0792196	4	Iron	098268437782	1	470	8410.36
DLF909-OSY	0792197	6	Iron	098268437799	1	798	13,386.02
DLF909M1-OSY	0792198	8	Iron	098268437805	1	1456	23,375.99
DLF909M1-OSY	0792199	10	Iron	098268437812	1	2230	33,546.37



LF909OSY

**With NRS Resilient Seated Shutoff Valves**

DLF909-NRS	0792200	2 1/2	Iron	098268437829	1	195	5940.92
DLF909-NRS	0792201	3	Iron	098268437836	1	225	6708.65
DLF909-NRS	0792202	4	Iron	098268437843	1	455	8149.30
DLF909-NRS	0792203	6	Iron	098268437850	1	718	12,976.56
DLF909M1-NRS	0792204	8	Iron	098268437867	1	1350	22,725.95
DLF909M1-NRS	0792205	10	Iron	098268437874	1	2160	30,204.83

**With Quarter-Turn Shutoff Valves**

LF909-QT	0391008	3/4	Bronze	098268051179	1	14.98	1413.39
LF909-QT	0391009	1	Bronze	098268051186	1	16.74	1668.23
LF909M1-QT	0391010	1 1/4	Bronze	098268051193	1	37.05	2618.27
LF909M1-QT	0391011	1 1/2	Bronze	098268051209	1	39.2	2823.15
LF909M1-QT	0391012	2	Bronze	098268051230	1	43.4	3251.48
LF909HW-QT	0792031	3/4	Bronze	098268431149	1	15.7	2047.33
LF909HW-QT	0792032	1	Bronze	098268434156	1	16.53	2413.16
LF909HWM1-QT	0792033	1 1/4	Bronze	098268434163	1	37.85	3791.10
LF909HWM1-QT	0792034	1 1/2	Bronze	098268434170	1	40.5	4086.25
LF909HWM1-QT	0792035	2	Bronze	098268434187	1	44.3	4707.86



LF909QT

**With NRS Resilient Seated Shutoff Valves**

994NRS	0437800	2 1/2	S.S.	098268882926	1	148	4179.21
994NRS	0437804	3	S.S.	098268882964	1	226	4718.91
994NRS	0438048	4	S.S.	098268795936	1	235	5403.23
994NRS	0438056	6	S.S.	098268795707	1	380	8604.08
994NRS	0438064	8	S.S.	098268795790	1	571	15,068.60
994NRS	0438072	10	S.S.	098268795844	1	773	20,027.46

**With OSY Resilient Seated Shutoff Valves**

9940SY	0437801	2 1/2	S.S.	098268882933	1	148	4464.31
9940SY	0437805	3	S.S.	098268882971	1	226	5194.42
9940SY	0438049	4	S.S.	098268795981	1	235	5743.92
9940SY	0438057	6	S.S.	098268795677	1	380	9142.08
9940SY	0438065	8	S.S.	098268795783	1	571	16,009.61
9940SY	0438073	10	S.S.	098268795868	1	773	21,819.49

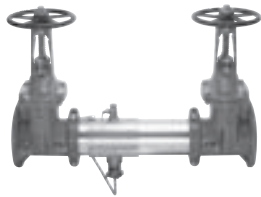


9940SY

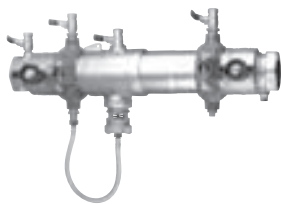
**With OSY Resilient Seated Shutoff Valves (Grooved Inlet x Flanged Outlet)**

994 OSY GxF	0438601	2 1/2	S.S.	098268263558	1	148	4464.31
994 OSY GxF	0438604	3	S.S.	098268263589	1	226	5194.42
994 OSY GxF	0438607	4	S.S.	098268263619	1	235	5743.92
994 OSY GxF	0438610	6	S.S.	098268263640	1	380	9142.08
994 OSY GxF	0438613	8	S.S.	098268263671	1	571	16,009.61
994 OSY GxF	0438616	10	S.S.	098268263701	1	773	21,819.49

\*The wetted surface of this product contacted by consumable water contains less than one quarter of one percent (0.25%) of lead by weight.


**WATTS  
SILVER EAGLE®**


957 OSY



957 QT

Model	Ordering Code	Size (in.)	Body	UPC	Qty. Per Carton	Weight Per Carton (lbs.)	List Price (each)
<b>Reduced Pressure Zone Assemblies cont.</b>							
<b>With OSY Resilient Seated Shutoff Valves (Flanged Inlet x Grooved Outlet)</b>							
994 OSY FxG	0438602	2 1/2	S.S.	098268263565	1	148	\$ 4464.31
994 OSY FxG	0438605	3	S.S.	098268263596	1	226	5194.42
994 OSY FxG	0438608	4	S.S.	098268263626	1	235	5743.92
994 OSY FxG	0438611	6	S.S.	098268263657	1	380	9142.08
994 OSY FxG	0438614	8	S.S.	098268263688	1	571	16,009.61
994 OSY FxG	0438617	10	S.S.	098268263718	1	773	21,819.49
<b>Less Shutoff Valves</b>							
994LF	0437802	2 1/2	S.S.	098268882940	1	60	3289.93
994LF	0437806	3	S.S.	098268882988	1	62	3743.34
994LF	0438050	4	S.S.	098268795929	1	65	4410.54
994LF	0438058	6	S.S.	098268795684	1	110	7124.38
994LF	0438066	8	S.S.	098268795820	1	179	12,616.05
994LF	0438074	10	S.S.	098268795899	1	189	16,391.01
<b>With OSY Resilient Seated Shutoff Valves</b>							
957 OSY	0111584	2 1/2	S.S.	098268121971	1	128	4258.89
957 OSY	0111585	3	S.S.	098268121988	1	148	4762.39
957 OSY	0111586	4	S.S.	098268122008	1	164	5265.88
957 OSY	0111587	6	S.S.	098268122152	1	298	8383.90
957 OSY	0111588	8	S.S.	098268122169	1	483	14,561.42
957 OSY	0111589	10	S.S.	098268122176	1	783	17,877.29
<b>N-Pattern with OSY Resilient Seated Shutoff Valves</b>							
957N OSY	0111590	2 1/2	S.S.	098268122183	1	136	5726.64
957N OSY	0111591	3	S.S.	098268122190	1	151	6255.92
957N OSY	0111592	4	S.S.	098268122220	1	187	7609.60
957N OSY	0111593	6	S.S.	098268122237	1	339	12,282.97
957N OSY	0111594	8	S.S.	098268122244	1	558	18,769.53
957N OSY	0111595	10	S.S.	098268122251	1	950	22,251.09
<b>Z-Pattern with OSY Resilient Seated Shutoff Valves</b>							
957Z OSY	0111596	2 1/2	S.S.	098268122268	1	136	5726.64
957Z OSY	0111597	3	S.S.	098268122275	1	151	6255.92
957Z OSY	0111598	4	S.S.	098268122282	1	187	7609.60
957Z OSY	0111599	6	S.S.	098268122299	1	339	12,282.97
957Z OSY	0111600	8	S.S.	098268122367	1	558	18,769.53
957Z OSY	0111601	10	S.S.	098268122435	1	950	22,251.09
<b>With NRS Resilient Seated Shutoff Valves</b>							
957 NRS	0111602	2 1/2	S.S.	098268122459	1	118	3535.79
957 NRS	0111603	3	S.S.	098268122534	1	134	4327.67
957 NRS	0111604	4	S.S.	098268122541	1	164	4955.22
957 NRS	0111605	6	S.S.	098268122626	1	276	7889.04
957 NRS	0111606	8	S.S.	098268122657	1	441	14,068.23
957 NRS	0111607	10	S.S.	098268122701	1	723	17,085.36
<b>N-Pattern with NRS Resilient Seated Shutoff Valves</b>							
957N NRS	0111608	2 1/2	S.S.	098268122732	1	126	4954.22
957N NRS	0111609	3	S.S.	098268122749	1	147	5785.74
957N NRS	0111610	4	S.S.	098268122985	1	187	7271.79
957N NRS	0111611	6	S.S.	098268123319	1	317	11,749.40
957N NRS	0111612	8	S.S.	098268123349	1	516	15,510.30
957N NRS	0111613	10	S.S.	098268123494	1	893	18,836.68

\*The wetted surface of this product contacted by consumable water contains less than one quarter of one percent (0.25%) of lead by weight.

Model	Ordering Code	Size (in.)	Body	UPC	Qty. Per Carton	Weight Per Carton (lbs.)	List Price (each)
-------	---------------	------------	------	-----	-----------------	--------------------------	-------------------

**Reduced Pressure Zone Assemblies cont.**
**Z-Pattern with NRS Resilient Seated Shutoff Valves**

957Z NRS	0111614	2 1/2	S.S.	098268123531	1	126	\$ 4954.22
957Z NRS	0111615	3	S.S.	098268123548	1	147	5785.74
957Z NRS	0111616	4	S.S.	098268123555	1	187	7271.79
957Z NRS	0111617	6	S.S.	098268123562	1	317	11,749.40
957Z NRS	0111618	8	S.S.	098268123579	1	516	15,510.30
957Z NRS	0111619	10	S.S.	098268123586	1	893	18,836.68

**with NRS Resilient Seated Shutoff Valves and Cast Iron Strainer**

957 NRS-S	0111825	2 1/2	S.S.	098268260137	1	146	4091.32
957 NRS-S	0111826	3	S.S.	098268260144	1	168	4991.56
957 NRS-S	0111827	4	S.S.	098268260175	1	224	6063.66
957 NRS-S	0111828	6	S.S.	098268260182	1	426	9920.42
957 NRS-S	0111829	8	S.S.	098268260199	1	711	17,525.78
957 NRS-S	0111830	10	S.S.	098268260212	1	1093	22,673.36

**With Quarter-Turn Ball Valve Shutoffs**

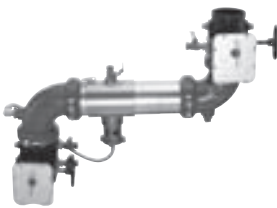
957 QT	0111760	2 1/2	S.S.	098268300635	1	46	3712.57
957 QT	0111761	3	S.S.	098268336689	1	56	4544.03

**N-Pattern with Quarter-Turn Ball Valve Shutoffs**

957N QT	0111668	2 1/2	S.S.	098268124750	1	54	4954.22
957N QT	0111669	3	S.S.	098268124767	1	64	5785.74

**Z-Pattern with Quarter-Turn Ball Valve Shutoffs**

957Z QT	0111777	2 1/2	S.S.	098268126211	1	54	4954.22
957Z QT	0111778	3	S.S.	098268126228	1	64	5785.74



957Z BFG

**Reduced Pressure Zone Assemblies**

Uses Smaller Enclosures and minimizes space requirements for retrofit installations.

**with UL/FM Butterfly Shutoffs (Gear Operated)**

957 BFG	0111788	4	S.S.	098268432213	1	140	\$ 5467.55
957 BFG	0111789	6	S.S.	098268432220	1	170	8659.62

**N-Pattern with UL/FM Butterfly Valve Shutoffs (Gear Operated)**

957N BFG	0111780	2 1/2	S.S.	098268126242	1	85	6299.33
957N BFG	0111781	3	S.S.	098268126259	1	90	6881.53
957N BFG	0111782	4	S.S.	098268126266	1	200	8370.46
957N BFG	0111783	6	S.S.	098268126273	1	300	13,511.18

**Z-Pattern with UL/FM Butterfly Valve Shutoffs (Gear Operated)**

957Z BFG	0111784	2 1/2	S.S.	098268126280	1	90	6299.33
957Z BFG	0111785	3	S.S.	098268126297	1	93	6881.53
957Z BFG	0111786	4	S.S.	098268126303	1	205	8370.46
957Z BFG	0111787	6	S.S.	098268126310	1	305	13,511.18

\*The wetted surface of this product contacted by consumable water contains less than one quarter of one percent (0.25%) of lead by weight.



TR



W-SPL



Model	Ordering Code	Size (in.)	UPC	Qty. Per Carton	Weight Per Carton (lbs.)	List Price (each)
-------	---------------	------------	-----	-----------------	--------------------------	-------------------

**Transition Risers**

For Connection of the Main Fire Supply to the Building Overhead Fire System

TR	0777500	4	098268264838	7	71	\$ 1302.11
TR	0777501	6	098268264845	5	98	1720.83
TR	0777502	8	098268264852	2	129	2676.92
TR	0777503	10	098268264876	1	202	4703.76

**Spools And Flanges**

For Retrofitting Backflow Preventers

Spools available in sizes:

W-SPL	2 1/2" x 1 7/8" – 10" x 1/2"					NA
-------	------------------------------	--	--	--	--	----

Flanges available in sizes:

W-FLG	2" x 1/4" – 10" x 1/2"					NA
-------	------------------------	--	--	--	--	----

Contact your local Watts Agent for ordering information and pricing.

Model	Ordering Code	Size (in.)	UPC	Qty. Per Carton	Weight Per Carton (lbs.)	List Price (each)
-------	---------------	------------	-----	-----------------	--------------------------	-------------------

**Valve Setters use with**

Watts Silver Eagle™ N-Shape Assemblies

Series WVS

Flange x Flange

WVS-C-FxF-DC	0107210	3	098268381238	1	–	\$ 484.51
WVS-C-FxF-DC	0107211	4	098268381245	1	–	601.45
WVS-C-FxF-RP	0107225	4	098268381382	1	–	601.45
WVS-C-FxF-DC	0107212	6	098268381252	1	–	828.01
WVS-C-FxF-RP	0107226	6	098268381399	1	–	910.86
WVS-C-FxF	0107213	8	098268381269	1	–	1174.14
WVS-C-FxF	0107214	10	098268381276	1	–	1622.14

MJ x MJ

WVS-C-MJxMJ-DC	0107220	3	098268381337	1	–	484.51
WVS-C-MJxMJ-DC	0107221	4	098268381344	1	–	601.45
WVS-C-MJxMJ-RP	0107229	4	098268381429	1	–	601.45
WVS-C-MJxMJ-DC	0107222	6	098268381351	1	–	828.01
WVS-C-MJxMJ-RP	0107230	6	098268381436	1	–	910.86
WVS-C-MJxMJ	0107223	8	098268381368	1	–	1174.14
WVS-C-MJxMJ	0107224	10	098268381375	1	–	1622.14

Flange x MJ

WVS-C-FxMJ-DC	0107215	3	098268381283	1	–	484.51
WVS-C-FxMJ-DC	0107216	4	098268381290	1	–	601.45
WVS-C-FxMJ-RP	0107227	4	098268381405	1	–	601.45
WVS-C-FxMJ-DC	0107217	6	098268381306	1	–	828.01
WVS-C-FxMJ-RP	0107228	6	098268381412	1	–	910.86
WVS-C-FxMJ	0107218	8	098268381313	1	–	1174.14
WVS-C-FxMJ	0107219	10	098268381320	1	–	1622.14

\*The wetted surface of this product contacted by consumable water contains less than one quarter of one percent (0.25%) of lead by weight.



LFB6080

Model	Ordering Code	Size (in.)	UPC	Qty. Per Carton	Weight Per Carton (lbs.)	List Price (each)
-------	---------------	------------	-----	-----------------	--------------------------	-------------------

**Bronze Ball Valves — Full Port — 2 Piece**
**Series LFB6080**
**Full Port - Threaded Ends - (150 WSP/600 WOG)**

LFB6080M1	0555206	1/2	098268433197	40	28	\$ 35.69
LFB6080	0555207	3/4	098268433203	40	44	57.42
LFB6080	0555208	1	098268433210	24	54	90.42
LFB6080	0555210	1 1/2	098268433234	6	24	174.47
LFB6080	0555211	2	098268433241	2	36	305.61

**Series LFB6081**
**Full Port - Solder Ends - (150 WSP/600 WOG)**

LFB6081M1	0555213	1/2	098268433265	40	28	35.69
LFB6081	0555214	3/4	098268433272	40	44	57.42
LFB6081	0555215	1	098268433289	24	54	90.42
LFB6081	0555216	1 1/4	098268433296	12	36	136.23
LFB6081	0555217	1 1/2	098268433302	6	24	174.47
LFB6081	0555218	2	098268433319	2	36	305.61

**Series LFB6000**
**Threaded Ends - 1/4 to 3 150 WSP/600 WOG (4 - 125 WSP/400 WOG)**

LFB6000	0555184	1/4	098268432947	48	24	24.10
LFB6000	0555185	3/8	098268432954	48	24	24.10
LFB6000	0555186	1/2	098268432961	40	24	24.10
LFB6000M2	0555188	1	098268432985	24	52	45.00
LFB6000M2	0555189	1 1/4	098268432992	12	36	84.11
LFB6000M2	0555190	1 1/2	098268433005	12	48	106.31
LFB6000M2	0555191	2	098268433012	8	54	138.11
LFB6000	0555192	2 1/2	098268433029	1	13	626.60
LFB6000	0555193	3	098268433036	1	18	732.98
LFB6000	0555194	4	098268433043	1	25	1171.73

**Series LFB6001**
**Solder Ends - (150 WSP/600 WOG)**

LFB6001	0555196	1/2	098268433098	40	24	24.10
LFB6001M2	0555197	3/4	098268433104	40	44	39.29
LFB6001M2	0555198	1	098268433111	24	52	49.61
LFB6001M2	0555199	1 1/4	098268433128	12	36	84.11
LFB6001M2	0555200	1 1/2	098268433135	12	48	106.31
LFB6001M2	0555201	2	098268433142	8	54	138.11
LFB6001	0555202	2 1/2	098268433159	1	13	626.60
LFB6001	0555203	3	098268433166	1	18	732.98



LFB6000



LFB6001

\*The wetted surface of this product contacted by consumable water contains less than one quarter of one percent (0.25%) of lead by weight.

Model	Ordering Code	Size (in.)	UPC	Qty. Per Carton	Weight Per Carton (lbs.)	List Price (each)
-------	---------------	------------	-----	-----------------	--------------------------	-------------------

### Brass Ball Valves — 2 Piece

#### Series LFFBV

#### PEX Ends — 400 WOG (1/2" - 1")

LFFBV-PEX	0555272	1/2	098268450347	40	12	\$ 8.78
LFFBV-PEX	0555273	3/4	098268450354	40	18	14.24
LFFBV-PEX	0555274	1	098268450361	40	28	25.72



LFFBV-3C



LFFBVS-3C



LFFBV-3C-QC



and CSA Approved

† ASME B16.33 and CSA Approved to 125psi

▼ ASME B16.38 and CSA Approved to 125psi

NSF 61/8 1/4" - 2" FBV-3C UL Listed

#### Series LFFBV-3C

#### Full Port - Threaded Ends - 150 WSP/600 WOG (2 1/2" - 3", 125 WSP/400 WOG)

LFFBV-3C	0555100	1/4	098268447699	120	48	15.80
LFFBV-3C	0555101	3/8	098268447705	120	48	15.80
♦LFFBV-3C†	0555102	1/2	098268447712	120	60	17.89
♦LFFBV-3C†	0555103	3/4	098268447729	60	54	21.53
♦LFFBV-3C†	0555104	1	098268447736	30	40	47.99
♦LFFBV-3C†	0555105	1 1/4	098268447743	20	45	57.65
♦LFFBV-3C†	0555106	1 1/2	098268447750	16	48	69.86
LFFBV-3C	0555107	2	098268447767	6	33	107.39
LFFBV-3C	0555108	2 1/2	098268447774	5	29	331.90
LFFBV-3C	0555109	3	098268447781	5	45	471.49

#### Series LFFBVS-3C

NSF 61/8 1/2" - 2" FBV-3C • UL Listed

#### Full Port - Solder Ends - 150 WSP/600 WOG (2 1/2" - 3", 125 WSP/400 WOG)

•LFFBVS-3C	0555110	1/2	098268447798	120	60	17.89
•LFFBVS-3C	0555111	3/4	098268447804	60	54	21.53
•LFFBVS-3C	0555112	1	098268447811	30	40	47.99
•LFFBVS-3C	0555113	1 1/4	098268447828	20	45	57.65
•LFFBVS-3C	0555114	1 1/2	098268447835	16	48	69.86
•LFFBVS-3C	0555115	2	098268447842	6	33	107.39
LFFBVS-3C	0555116	2 1/2	098268447859	5	29	331.90
LFFBVS-3C	0555117	3	098268447866	5	45	471.49

#### Series LFFBV-3C-QC

#### Full Port - Quick-Connect End Connection (200 CWP)

LFFBV-3C-QC	0555269	1/2	098268450316	96	54	16.27
LFFBV-3C-QC	0555270	3/4	098268450323	48	50	26.19
LFFBV-3C-QC	0555271	1	098268450330	24	37	39.35

\*The wetted surface of this product contacted by consumable water contains less than one quarter of one percent (0.25%) of lead by weight.

Model	Ordering Code	Size (in.)	UPC	Qty. Per Carton	Weight Per Carton (lbs.)	List Price (each)
-------	---------------	------------	-----	-----------------	--------------------------	-------------------

**Bronze Silent Check Valves**
**WARNING: Not to be used for reciprocating air compressor service.**
**Series LF600**
**Maxi-flo Check Valves - PTFE Seat - Threaded Ends - (400 WOG/15 WSP)**

LF600	0555174	3/8	098268432848	40	20	\$ 46.47
LF600	0555175	1/2	098268432855	40	20	46.47
LF600	0555176	3/4	098268432862	40	30	61.48
LF600	0555177	1	098268432879	32	42	83.88
LF600	0555178	1 1/4	098268432886	12	25	120.21
LF600	0555179	1 1/2	098268432893	6	18	148.84
LF600	0555180	2	098268432909	6	28	223.88

**Series LF601S**
**Solder Ends — Bronze Seat, Viton® Disc, (400 WOG)**

LF601S	0555181	1/2	098268432916	40	20	50.75
LF601S	0555182	3/4	098268432923	40	30	67.21
LF601S	0555183	1	098268432930	32	42	91.57



LF600



LF601S

\*The wetted surface of this product contacted by consumable water contains less than one quarter of one percent (0.25%) of lead by weight.



LFGV

Model	Ordering Code	Size (in.)	UPC	Qty. Per Carton	Weight Per Carton (lbs.)	List Price (each)
-------	---------------	------------	-----	-----------------	--------------------------	-------------------

**Bronze Gate Valves**
**Series LFGV**
**Threaded Ends — (125 WSP/200 WOG)**

LFGV	0555226	1/2	098268450019	120	82	\$ 29.94
LFGV	0555227	3/4	098268450026	84	79	38.86
LFGV	0555228	1	098268450033	60	75	54.74
LFGV	0555229	1 1/4	098268450040	40	71	81.42
LFGV	0555230	1 1/2	098268450057	32	77	96.43
LFGV	0555231	2	098268450064	18	68	169.72

**Threaded Ends — (150 WSP/300 WOG)**

LFGV	0555232	2 1/2	098268450071	12	79	301.24
LFGV	0555233	3	098268450088	8	71	401.58
LFGV	0555234	4	098268450095	4	42	1156.81

**Series LFGVS**
**Solder Ends — (125 WSP/200 WOG)**

LFGVS	0555235	1/2	098268450101	120	82	29.94
LFGVS	0555236	3/4	098268450118	84	79	38.86
LFGVS	0555237	1	098268450125	60	75	54.74
LFGVS	0555238	1 1/4	098268450132	40	71	81.42
LFGVS	0555239	1 1/2	098268450149	32	77	96.43
LFGVS	0555240	2	098268450156	18	68	169.72

**Bronze Swing Check Valves**
**Series LFCV**
**- 90° Straight Pattern - Threaded Ends -(125 WSP/200 WOG)**

LFCV	0555241	1/2	098268450163	160	86	17.84
LFCV	0555242	3/4	098268450170	128	86	23.20
LFCV	0555243	1	098268450187	72	73	32.05
LFCV	0555244	1 1/4	098268450194	50	77	44.81
LFCV	0555245	1 1/2	098268450200	32	62	62.28
LFCV	0555246	2	098268450217	24	77	95.85

**- 90° Straight Pattern - Threaded Ends -(150 WSP/300 WOG)**

LFCV	0555247	2 1/2	098268450224	12	72	222.21
LFCV	0555248	3	098268450231	8	72	293.63
LFCV	0555249	4	098268450248	6	36	479.08

**Series LFCVS**
**- 90° Straight Pattern - Solder Ends -(125 WSP/200 WOG)**

LFCVS	0555250	1/2	098268450255	160	86	17.84
LFCVS	0555251	3/4	098268450262	128	86	23.20
LFCVS	0555252	1	098268450279	72	73	32.05
LFCVS	0555253	1 1/4	098268450286	50	77	44.81
LFCVS	0555254	1 1/2	098268450293	32	62	62.28
LFCVS	0555255	2	098268450309	24	77	95.85



LFCV

\*The wetted surface of this product contacted by consumable water contains less than one quarter of one percent (0.25%) of lead by weight.

Model	Ordering Code	Size (in.)	UPC	Qty. Per Carton	Weight Per Carton (lbs.)	List Price (each)
-------	---------------	------------	-----	-----------------	--------------------------	-------------------

**Cast Iron Strainers**
**Flanged Connections - ANSI 125 Flanged Ends  
- with Tapped Closure Plug (125 WSP/200 WOG)**


77F-DI-125

77F-DI-125	0825200	2	098268051704	1	17	\$269.40
77F-DI-125	0825201	2 1/2	098268051711	1	28	271.86
77F-DI-125	0825202	3	098268051728	1	34	323.32
77F-DI-125	0825203	4	098268051735	1	60	574.04
77F-DI-125	0825204	5	098268051742	1	95	834.08
77F-DI-125	0825205	6	098268051759	1	150	1180.72
77F-DI-125	0825206	8	098268051803	1	270	1883.48
77F-DI-125	0825207	10	098268051810	1	370	3279.89
77F-DI-125	0825208	12	098268051827	1	605	4919.49
77F-DI-125	0823038	16	098268879612	1	1224	10,615.38

**Flanged Connections - Epoxy Coated FDA Approved  
- ANSI 125 Flanged Ends - with Tapped Closure Plug (200 WOG)**


77F-DI-FDA-125

77F-DI-FDA-125	0825209	2	098268051834	1	20	390.26
77F-DI-FDA-125	0825210	2 1/2	098268051841	1	40	395.34
77F-DI-FDA-125	0825211	3	098268051858	1	52	458.57
77F-DI-FDA-125	0825212	4	098268051872	1	63	825.87
77F-DI-FDA-125	0825213	5	098268051889	1	113	1380.67
77F-DI-FDA-125	0825214	6	098268051896	1	150	1705.19
77F-DI-FDA-125	0825215	8	098268051902	1	275	2835.03
77F-DI-FDA-125	0825216	10	098268051919	1	450	4842.09
77F-DI-FDA-125	0825217	12	098268051940	1	605	7448.62
77F-DI-FDA-125	0823205	14	098268879629	1	817	11,471.33
77F-DI-FDA-125	0823206	16	098268879636	1	1226	16,330.83

**Series LF777SI**
**Wye Type - Threaded Connections - with Tapped Retainer Cap and Closure Plug - (400 WOG/125 WSP)**
**† 2 1/2" & 3" Tapped Retainer Cap with Plug - (300 WOG/125 WSP)**


LF777SI

LF777SI	0379111	1/2	098268285598	96	60	78.50
LF777SI	0379112	3/4	098268285604	72	60	95.78
LF777SI	0379113	1	098268285611	36	66	114.41
LF777SI	0379114	1 1/4	098268285628	18	57	144.65
LF777SI	0379115	1 1/2	098268285635	18	58	198.52
LF777SI	0379116	2	098268285642	8	70	302.81
LF777SI	0379117	2 1/2	098268285659	5	55	889.11
LF777SI	0379118	3	098268285666	3	69	968.42

**Series LFS777SI**
**Wye Type - Solder Connections -  
with Tapped Retainer Cap and Closure Plug - (400 WOG/125 WSP)**

LFS777SI	0379119	1/2	098268285673	96	46	78.50
LFS777SI	0379120	3/4	098268285680	72	60	95.78
LFS777SI	0379121	1	098268285697	36	53	114.41
LFS777SI	0379122	1 1/4	098268285703	18	44	144.65
LFS777SI	0379123	1 1/2	098268285734	18	48	198.52
LFS777SI	0379124	2	098268285758	8	52	302.81

\*The wetted surface of this product contacted by consumable water contains less than one quarter of one percent (0.25%) of lead by weight.



88CSI-T



87SI

Model	Ordering Code	Size (in.)	UPC	Qty. Per Carton	Weight Per Carton (lbs.)	List Price (each)
-------	---------------	------------	-----	-----------------	--------------------------	-------------------

**Carbon Steel Strainers**
**T = Threaded, SW = Socket Weld, Class 600 - with Tapped Closure Plug - (600 WSP/1480 WOG)**

88CSI-T	0823000	1/2	098268874457	1	.5	\$ 177.09
88CSI-T	0823001	3/4	098268879377	1	.8	229.02
88CSI-T	0823002	1	098268879384	1	1.5	323.95
88CSI-T	0823003	1 1/4	098268879391	1	2.0	388.85
88CSI-T	0823004	1 1/2	098268879407	1	2.8	529.22
88CSI-T	0823005	2	098268879414	1	4.2	736.70
88CSI-SW	0823008	1/2	098268879421	1	.5	177.09
88CSI-SW	0823009	3/4	098268879438	1	.8	229.02
88CSI-SW	0823010	1	098268879445	1	1.5	323.95
88CSI-SW	0823011	1 1/4	098268879452	1	2.0	388.85
88CSI-SW	0823012	1 1/2	098268879469	1	2.8	529.22
88CSI-SW	0823013	2	098268879476	1	4.2	736.70

**Flanged, Class 150 - with Tapped Closure Plug - (150 WSP/285 WOG)**

77F-CSI	0823016	1/2	098268879483	1	6	411.23
77F-CSI	0823017	3/4	098268879490	1	7	540.31
77F-CSI	0823018	1	098268879506	1	9	727.02
77F-CSI	0823019	1 1/2	098268879513	1	12	931.36
77F-CSI	0823020	2	098268879520	1	20	949.25
77F-CSI	0823021	2 1/2	098268879537	1	32	1253.74
77F-CSI	0823022	3	098268879544	1	36	1378.26
77F-CSI	0823023	4	098268879551	1	61	2256.22
77F-CSI	0823024	5	098268879568	1	160	4043.57
77F-CSI	0823025	6	098268879575	1	160	6846.85

**Stainless Steel Strainers**
**T = Threaded, SW = Socket Weld, Class 300 - with Tapped Closure Plug- (300 WSP/720 WOG)**

87SI-T	0823073	1/2	098268881110	1	.5	233.31
87SI-T	0823074	3/4	098268881127	1	.8	288.64
87SI-T	0823075	1	098268881134	1	1.5	406.11
87SI-T	0823076	1 1/4	098268881141	1	2	490.73
87SI-T	0823077	1 1/2	098268881158	1	2.8	675.51
87SI-T	0823078	2	098268881165	1	4.2	865.67
87SI-T	0823079	2 1/2	098268881172	1	13	1403.94
87SI-T	0823080	3	098268881189	1	18	2214.07
87SI-SW	0823081	1/2	098268881196	1	.5	233.31
87SI-SW	0823082	3/4	098268881202	1	.8	288.64
87SI-SW	0823083	1	098268881219	1	.5	406.11
87SI-SW	0823084	1 1/4	098268881226	1	2	490.73
87SI-SW	0823085	1 1/2	098268881233	1	2.8	675.51
87SI-SW	0823086	2	098268881240	1	4.2	865.67
87SI-SW	0823087	2 1/2	098268881257	1	13	1403.94
87SI-SW	0823088	3	098268881264	1	18	2214.07

\*The wetted surface of this product contacted by consumable water contains less than one quarter of one percent (0.25%) of lead by weight.

Model	Ordering Code	Size (in.)	UPC	Qty. Per Carton	Weight Per Carton (lbs.)	List Price (each)
-------	---------------	------------	-----	-----------------	--------------------------	-------------------

**Stainless Steel Strainers (cont.)**
**Wye Type - Threaded Connections - ANSI 600 - with Tapped Closure Plug - (600 WSP/1440 WOG)**


88S

88S	0701000	1/4	098268088373	12	13.2	\$ 403.29
88S	0701002	3/8	098268088380	12	21.6	403.29
88S	0701004	1/2	098268088403	12	40.8	408.15
88S	0701006	3/4	098268088427	12	31.2	530.01
88S	0701008	1	098268088441	6	25.2	741.04
88S	0701010	1 1/4	098268088465	6	40.8	896.00
88S	0701012	1 1/2	098268088489	3	33	1219.74
88S	0701014	2	098268088502	3	41.7	1697.97

**Flanged, Class 150 - with Tapped Closure Plug - (150 WSP/275 WOG)**


77F-CSSI

77F-CSSI	0823089	1/2	098268881271	1	6	822.42
77F-CSSI	0823090	3/4	098268881288	1	7	924.93
77F-CSSI	0823091	1	098268881295	1	9	935.86
77F-CSSI	0823092	1 1/2	098268881301	1	12	1089.30
77F-CSSI	0823093	2	098268881318	1	20	1531.50
77F-CSSI	0823094	2 1/2	098268881325	1	32	1934.05
77F-CSSI	0823095	3	098268881332	1	36	2234.20
77F-CSSI	0823096	4	098268881349	1	61	3648.03
77F-CSSI	0823097	6	098268881356	1	160	7233.51
77F-CSSI	0823098	8	098268881363	1	210	13,366.78
77F-CSSI	0823099	10	098268881370	1	440	17,317.16
77F-CSSI	0823100	12	098268881387	1	585	34,572.03

**Flanged Connections - ANSI 125 Flanged Ends - (200 WOG)**


77F-SS

77F-SS	0821110	2 1/2	098268802160	1	21	499.99
77F-SS	0821111	3	098268802177	1	26	581.99
77F-SS	0821112	4	098268802184	1	33	1048.09
77F-SS	0821114	6	098268802207	1	70	2183.68
77F-SS	0821115	8	098268802221	1	91	3634.90
77F-SS	0821116	10	098268802238	1	134	6231.70
77F-SS	0821117	12	098268802245	1	225	9594.49

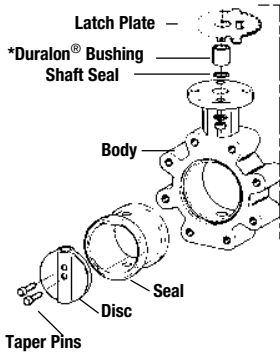
**Grooved Connections - ANSI 125 Grooved Ends - (200 WOG)**


77G-SS

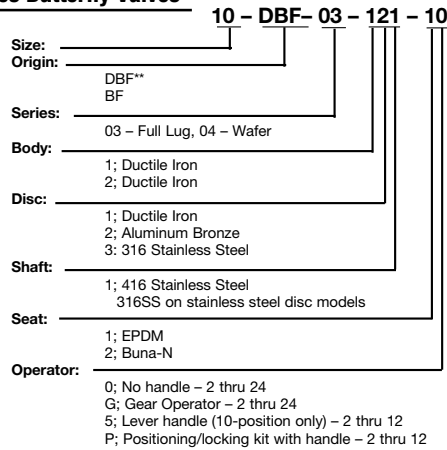
77G-SS	0821160	2 1/2	098268264920	1	21	450.15
77G-SS	0821161	3	098268264937	1	26	523.89
77G-SS	0821162	4	098268264944	1	33	943.28
77G-SS	0821164	6	098268264968	1	70	1965.54
77G-SS	0821165	8	098268264975	1	91	3271.10
77G-SS	0821166	10	098268264982	1	134	5608.65
77G-SS	0821167	12	098268264999	1	225	8635.15

\*The wetted surface of this product contacted by consumable water contains less than one quarter of one percent (0.25%) of lead by weight.

### How to Order Watts Series Butterfly Valves



\*Duralon® is a registered trademark of Rexnord Corp.



### Butterfly Valves

Size	Model	Ordering Code	Model	Ordering Code	List Price (each)
<b>Lug, Lever Handle</b>					
2	DBF-03-111-15 M2	0525100	DBF-03-111-25 M2	0525101	\$233.47
2½	DBF-03-111-15 M2	0525118	DBF-03-111-25 M2	0525119	240.42
3	DBF-03-111-15 M2	0525136	DBF-03-111-25 M2	0525137	265.79
4	DBF-03-111-15 M2	0525154	DBF-03-111-25 M2	0525156	318.30
5	DBF-03-111-15 M2	0525173	DBF-03-111-25 M2	0525174	426.04
6	DBF-03-111-15 M2	0525191	DBF-03-111-25 M2	0525192	508.41
8	DBF-03-111-15 M2	0525210	DBF-03-111-25 M2	0525211	705.37
10	DBF-03-111-15 M2	0525228	DBF-03-111-25 M2	0525229	1021.58
12	DBF-03-111-15 M2	0525258	DBF-03-111-25 M2	0525259	1660.47
2	DBF-03-121-15 M2	0525102	DBF-03-121-25 M2	0525103	242.88
2½	DBF-03-121-15 M2	0525120	DBF-03-121-25 M2	0525121	247.43
3	DBF-03-121-15 M2	0525138	DBF-03-121-25 M2	0525139	267.93
4	DBF-03-121-15 M2	0525157	DBF-03-121-25 M2	0525158	378.08
5	DBF-03-121-15 M2	0525175	DBF-03-121-25 M2	0525176	453.44
6	DBF-03-121-15 M2	0525193	DBF-03-121-25 M2	0525194	568.19
8	DBF-03-121-15 M2	0525212	DBF-03-121-25 M2	0525213	858.92
10	DBF-03-121-15 M2	0525230	DBF-03-121-25 M2	0525231	1244.01
12	DBF-03-121-15 M2	0525260	DBF-03-121-25 M2	0525261	1839.23
2	DBF-03-131-15 M2	0525104	DBF-03-131-25 M2	0525105	304.65
2½	DBF-03-131-15 M2	0525122	DBF-03-131-25 M2	0525123	350.41
3	DBF-03-131-15 M2	0525140	DBF-03-131-25 M2	0525141	387.18
4	DBF-03-131-15 M2	0525159	DBF-03-131-25 M2	0525160	485.66
5	DBF-03-131-15 M2	0525177	DBF-03-131-25 M2	0525178	691.56
6	DBF-03-131-15 M2	0525195	DBF-03-131-25 M2	0525196	840.46
8	DBF-03-131-15 M2	0525214	DBF-03-131-25 M2	0525215	1060.43
10	DBF-03-131-15 M2	0525232	DBF-03-131-25 M2	0525233	1632.86
12	DBF-03-131-15 M2	0525262	DBF-03-131-25 M2	0525263	2413.91
<b>Lug, Gear Operator</b>					
2	DBF-03-111-1G M2	0525112	DBF-03-111-2G M2	0525113	\$480.95
2½	DBF-03-111-1G M2	0525130	DBF-03-111-2G M2	0525131	503.81
3	DBF-03-111-1G M2	0525148	DBF-03-111-2G M2	0525149	503.81
4	DBF-03-111-1G M2	0525167	DBF-03-111-2G M2	0525168	568.19
5	DBF-03-111-1G M2	0525185	DBF-03-111-2G M2	0525186	661.80
6	DBF-03-111-1G M2	0525204	DBF-03-111-2G M2	0525205	769.39
8	DBF-03-111-1G M2	0525222	DBF-03-111-2G M2	0525223	1000.81
10	DBF-03-111-1G M2	0525240	DBF-03-111-2G M2	0525241	1307.71
12	DBF-03-111-1G M2	0525252	DBF-03-111-2G M2	0525253	1944.51
2	DBF-03-121-1G M2	0525114	DBF-03-121-2G M2	0525115	485.45
2½	DBF-03-121-1G M2	0525132	DBF-03-121-2G M2	0525133	492.46
3	DBF-03-121-1G M2	0525150	DBF-03-121-2G M2	0525151	510.97
4	DBF-03-121-1G M2	0525169	DBF-03-121-2G M2	0525170	597.74
5	DBF-03-121-1G M2	0525187	DBF-03-121-2G M2	0525188	698.57
6	DBF-03-121-1G M2	0525206	DBF-03-121-2G M2	0525207	810.75
8	DBF-03-121-1G M2	0525224	DBF-03-121-2G M2	0525225	1115.45
10	DBF-03-121-1G M2	0525242	DBF-03-121-2G M2	0525243	1589.45
12	DBF-03-121-1G M2	0525254	DBF-03-121-2G M2	0525255	2276.51



Model DBF-03  
Lug, Lever Handle



Model DBF-03  
Lug, Gear Operator

\*\*DBF series butterfly valves use domestic and foreign components that have been assembled and tested in the U.S.A.

\*The wetted surface of this product contacted by consumable water contains less than one quarter of one percent (0.25%) of lead by weight.

Consult factory for ordering code numbers of special models/options.

**Butterfly Valves**

 Model DBF-03  
Lug, Gear Operator

 Model DBF-03  
Lug, Bare Stem

Size	Model	Ordering Code	Model	Ordering Code	List Price (each)
<b>Lug, Gear Operator</b>					
2	DBF-03-131-1G M2	0525116	DBF-03-131-2G M2	0525117	\$526.82
2½	DBF-03-131-1G M2	0525134	DBF-03-131-2G M2	0525135	572.63
3	DBF-03-131-1G M2	0525152	DBF-03-131-2G M2	0525153	609.19
4	DBF-03-131-1G M2	0525171	DBF-03-131-2G M2	0525172	707.72
5	DBF-03-131-1G M2	0525189	DBF-03-131-2G M2	0525190	913.73
6	DBF-03-131-1G M2	0525208	DBF-03-131-2G M2	0525209	1062.89
8	DBF-03-131-1G M2	0525226	DBF-03-131-2G M2	0525227	1282.50
10	DBF-03-131-1G M2	0525244	DBF-03-131-2G M2	0525245	1908.06
12	DBF-03-131-1G M2	0525256	DBF-03-131-2G M2	0525257	2810.18

Size	Model	Ordering Code	Model	Ordering Code	List Price (each)
<b>Lug, Bare Stem</b>					
2	DBF-03-111-10 M2	0525106	DBF-03-111-20 M2	0525107	213.07
2½	DBF-03-111-10 M2	0525124	DBF-03-111-20 M2	0525125	231.38
3	DBF-03-111-10 M2	0525142	DBF-03-111-20 M2	0525143	249.63
4	DBF-03-111-10 M2	0525161	DBF-03-111-20 M2	0525162	302.24
5	DBF-03-111-10 M2	0525179	DBF-03-111-20 M2	0525180	409.82
6	DBF-03-111-10 M2	0525197	DBF-03-111-20 M2	0525198	492.46
8	DBF-03-111-10 M2	0525216	DBF-03-111-20 M2	0525217	689.26
10	DBF-03-111-10 M2	0525234	DBF-03-111-20 M2	0525235	1005.36
12	DBF-03-111-10 M2	0525246	DBF-03-111-20 M2	0525247	1660.47
2	DBF-03-121-10 M2	0525108	DBF-03-121-20 M2	0525109	226.83
2½	DBF-03-121-10 M2	0525126	DBF-03-121-20 M2	0525127	228.92
3	DBF-03-121-10 M2	0525144	DBF-03-121-20 M2	0525145	251.98
4	DBF-03-121-10 M2	0525163	DBF-03-121-20 M2	0525164	334.41
5	DBF-03-121-10 M2	0525181	DBF-03-121-20 M2	0525182	432.94
6	DBF-03-121-10 M2	0525199	DBF-03-121-20 M2	0525200	551.87
8	DBF-03-121-10 M2	0525218	DBF-03-121-20 M2	0525219	840.46
10	DBF-03-121-10 M2	0525236	DBF-03-121-20 M2	0525237	1268.85
12	DBF-03-121-10 M2	0525248	DBF-03-121-20 M2	0525249	1823.02
2	DBF-03-131-10 M2	0525110	DBF-03-131-20 M2	0525111	288.54
2½	DBF-03-131-10 M2	0525128	DBF-03-131-20 M2	0525129	302.24
3	DBF-03-131-10 M2	0525146	DBF-03-131-20 M2	0525147	371.12
4	DBF-03-131-10 M2	0525165	DBF-03-131-20 M2	0525166	469.50
5	DBF-03-131-10 M2	0525183	DBF-03-131-20 M2	0525184	675.77
6	DBF-03-131-10 M2	0525201	DBF-03-131-20 M2	0525203	824.51
8	DBF-03-131-10 M2	0525220	DBF-03-131-20 M2	0525221	1044.33
10	DBF-03-131-10 M2	0525238	DBF-03-131-20 M2	0525239	1616.91
12	DBF-03-131-10 M2	0525250	DBF-03-131-20 M2	0525251	2413.91

<b>VITON SEATED Lug, Lever Handle DBF-03-131-35 M2</b>			<b>VITON SEATED Lug, Gear Operator DBF-03-131-3G M2</b>		
Size	Ordering Code	List Price	Size	Ordering Code	List Price
2	0526000	\$1120.21	2	0526006	\$1329.99
2½	0526009	1324.18	2½	0526015	1533.80
3	0526018	1558.02	3	0526024	1767.90
4	0526027	2039.60	4	0526033	2229.03
5	0526036	2440.42	5	0526042	2634.98
6	0526045	2699.39	6	0526051	2898.88
8	0526054	3709.17	8	0526060	3974.85
10	0526063	4778.65	10	0526069	5057.93
12	0526072	6205.71	12	0526078	6562.03

\*The wetted surface of this product contacted by consumable water contains less than one quarter of one percent (0.25%) of lead by weight.  
Consult factory for ordering code numbers of special models/options.

**Butterfly Valves**

Size	Model	Ordering Code	Model	Ordering Code	List Price (each)
<b>Wafer, Lever Handle</b>					
2	DBF-04-111-15 M2	0525325	DBF-04-111-25 M2	0525326	\$201.51
2½	DBF-04-111-15 M2	0525343	DBF-04-111-25 M2	0525344	215.32
3	DBF-04-111-15 M2	0525361	DBF-04-111-25 M2	0525362	231.43
4	DBF-04-111-15 M2	0525379	DBF-04-111-25 M2	0525380	272.48
5	DBF-04-111-15 M2	0525397	DBF-04-111-25 M2	0525398	327.50
6	DBF-04-111-15 M2	0525415	DBF-04-111-25 M2	0525416	428.23
8	DBF-04-111-15 M2	0525433	DBF-04-111-25 M2	0525434	588.85
10	DBF-04-111-15 M2	0525451	DBF-04-111-25 M2	0525452	856.62
12	DBF-04-111-15 M2	0525481	DBF-04-111-25 M2	0525482	1461.26
2	DBF-04-121-15 M2	0525327	DBF-04-121-25 M2	0525328	208.42
2½	DBF-04-121-15 M2	0525345	DBF-04-121-25 M2	0525346	222.38
3	DBF-04-121-15 M2	0525363	DBF-04-121-25 M2	0525364	242.88
4	DBF-04-121-15 M2	0525381	DBF-04-121-25 M2	0525382	300.20
5	DBF-04-121-15 M2	0525399	DBF-04-121-25 M2	0525400	384.72
6	DBF-04-121-15 M2	0525417	DBF-04-121-25 M2	0525418	469.50
8	DBF-04-121-15 M2	0525435	DBF-04-121-25 M2	0525436	748.88
10	DBF-04-121-15 M2	0525453	DBF-04-121-25 M2	0525454	1174.81
12	DBF-04-121-15 M2	0525483	DBF-04-121-25 M2	0525484	1664.97
2	DBF-04-131-15 M2	0525329	DBF-04-131-25 M2	0525330	274.89
2½	DBF-04-131-15 M2	0525347	DBF-04-131-25 M2	0525348	320.60
3	DBF-04-131-15 M2	0525365	DBF-04-131-25 M2	0525366	355.06
4	DBF-04-131-15 M2	0525383	DBF-04-131-25 M2	0525384	444.24
5	DBF-04-131-15 M2	0525401	DBF-04-131-25 M2	0525402	588.85
6	DBF-04-131-15 M2	0525419	DBF-04-131-25 M2	0525420	778.75
8	DBF-04-131-15 M2	0525437	DBF-04-131-25 M2	0525438	978.01
10	DBF-04-131-15 M2	0525455	DBF-04-131-25 M2	0525456	1594.16
12	DBF-04-131-15 M2	0525485	DBF-04-131-25 M2	0525486	2363.54
<b>Wafer, Gear Operator</b>					
2	DBF-04-111-1G M2	0525337	DBF-04-111-2G M2	0525338	\$423.73
2½	DBF-04-111-1G M2	0525355	DBF-04-111-2G M2	0525356	435.08
3	DBF-04-111-1G M2	0525373	DBF-04-111-2G M2	0525374	453.44
4	DBF-04-111-1G M2	0525391	DBF-04-111-2G M2	0525392	494.76
5	DBF-04-111-1G M2	0525409	DBF-04-111-2G M2	0525410	581.79
6	DBF-04-111-1G M2	0525427	DBF-04-111-2G M2	0525428	650.61
8	DBF-04-111-1G M2	0525445	DBF-04-111-2G M2	0525446	822.21
10	DBF-04-111-1G M2	0525463	DBF-04-111-2G M2	0525464	1131.35
12	DBF-04-111-1G M2	0525475	DBF-04-111-2G M2	0525476	1857.38
2	DBF-04-121-1G M2	0525339	DBF-04-121-2G M2	0525340	430.74
2½	DBF-04-121-1G M2	0525357	DBF-04-121-2G M2	0525358	444.24
3	DBF-04-121-1G M2	0525375	DBF-04-121-2G M2	0525376	462.59
4	DBF-04-121-1G M2	0525393	DBF-04-121-2G M2	0525394	522.16
5	DBF-04-121-1G M2	0525411	DBF-04-121-2G M2	0525412	606.99
6	DBF-04-121-1G M2	0525429	DBF-04-121-2G M2	0525430	689.26
8	DBF-04-121-1G M2	0525447	DBF-04-121-2G M2	0525448	980.21
10	DBF-04-121-1G M2	0525465	DBF-04-121-2G M2	0525466	1447.51
12	DBF-04-121-1G M2	0525477	DBF-04-121-2G M2	0525478	2061.25
2	DBF-04-131-1G M2	0525341	DBF-04-131-2G M2	0525342	496.95
2½	DBF-04-131-1G M2	0525359	DBF-04-131-2G M2	0525360	542.82
3	DBF-04-131-1G M2	0525377	DBF-04-131-2G M2	0525378	577.08
4	DBF-04-131-1G M2	0525395	DBF-04-131-2G M2	0525396	664.26
5	DBF-04-131-1G M2	0525413	DBF-04-131-2G M2	0525414	810.75
6	DBF-04-131-1G M2	0525431	DBF-04-131-2G M2	0525432	1000.81
8	DBF-04-131-1G M2	0525449	DBF-04-131-2G M2	0525450	1209.39
10	DBF-04-131-1G M2	0525467	DBF-04-131-2G M2	0525468	1868.63
12	DBF-04-131-1G M2	0525479	DBF-04-131-2G M2	0525480	2759.66



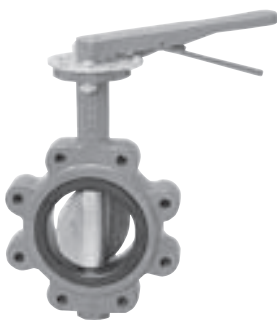
Model DBF-04  
Wafer, Lever Handle

\*The wetted surface of this product contacted by consumable water contains less than one quarter of one percent (0.25%) of lead by weight.

Consult factory for ordering code numbers of special models/options.

**Butterfly Valves**

Size	Model	Ordering Code	Model	Ordering Code	List Price (each)
<b>Wafer, Bare Stem</b>					
2	DBF-04-111-10 M2	0525331	DBF-04-111-20 M2	0525332	\$185.46
2½	DBF-04-111-10 M2	0525349	DBF-04-111-20 M2	0525350	199.21
3	DBF-04-111-10 M2	0525367	DBF-04-111-20 M2	0525368	215.32
4	DBF-04-111-10 M2	0525385	DBF-04-111-20 M2	0525386	256.37
5	DBF-04-111-10 M2	0525403	DBF-04-111-20 M2	0525404	311.45
6	DBF-04-111-10 M2	0525421	DBF-04-111-20 M2	0525422	412.28
8	DBF-04-111-10 M2	0525439	DBF-04-111-20 M2	0525440	572.63
10	DBF-04-111-10 M2	0525457	DBF-04-111-20 M2	0525458	840.46
12	DBF-04-111-10 M2	0525469	DBF-04-111-20 M2	0525470	1445.15
2	DBF-04-121-10 M2	0525333	DBF-04-121-20 M2	0525334	192.46
2½	DBF-04-121-10 M2	0525351	DBF-04-121-20 M2	0525352	206.01
3	DBF-04-121-10 M2	0525369	DBF-04-121-20 M2	0525370	226.83
4	DBF-04-121-10 M2	0525387	DBF-04-121-20 M2	0525388	284.04
5	DBF-04-121-10 M2	0525405	DBF-04-121-20 M2	0525406	384.72
6	DBF-04-121-10 M2	0525423	DBF-04-121-20 M2	0525424	453.44
8	DBF-04-121-10 M2	0525441	DBF-04-121-20 M2	0525442	732.78
10	DBF-04-121-10 M2	0525459	DBF-04-121-20 M2	0525460	732.78
12	DBF-04-121-10 M2	0525471	DBF-04-121-20 M2	0525472	1648.86
2	DBF-04-131-10 M2	0525335	DBF-04-131-20 M2	0525336	258.94
2½	DBF-04-131-10 M2	0525353	DBF-04-131-20 M2	0525354	304.65
3	DBF-04-131-10 M2	0525371	DBF-04-131-20 M2	0525372	339.17
4	DBF-04-131-10 M2	0525389	DBF-04-131-20 M2	0525390	428.18
5	DBF-04-131-10 M2	0525407	DBF-04-131-20 M2	0525408	572.63
6	DBF-04-131-10 M2	0525425	DBF-04-131-20 M2	0525426	762.85
8	DBF-04-131-10 M2	0525443	DBF-04-131-20 M2	0525444	961.95
10	DBF-04-131-10 M2	0525461	DBF-04-131-20 M2	0525462	1578.00
12	DBF-04-131-10 M2	0525473	DBF-04-131-20 M2	0525474	2347.54
<b>VITON SEATED — Wafer, Lever Handle - DBF-04-131-35 M2</b>			<b>VITON SEATED — Wafer, Gear Operator - DBF-04-131-3G M2</b>		
Size	Ordering Code	List Price	Size	Ordering Code	List Price
2	0526128	1114.15	2	0526134	\$1332.13
2½	0526137	1321.41	2½	0526143	1535.11
3	0526146	1552.53	3	0526159	1772.60
4	0526155	1981.49	4	0526161	2208.05
5	0526164	2395.13	5	0526170	2593.35
6	0526173	2650.51	6	0526179	2855.89
8	0526182	3648.13	8	0526188	3898.08
10	0526191	4748.32	10	0526197	5032.62
12	0526200	6173.13	12	0526206	6535.46
<b>Lug, Lever Handle</b>					
Size	Model	Ordering Code	Model	Ordering Code	List Price (each)
2	BF-03-111-15 M2	0525547	BF-03-111-25 M2	0525548	\$171.33
2½	BF-03-111-15 M2	0525565	BF-03-111-25 M2	0525566	180.85
3	BF-03-111-15 M2	0525583	BF-03-111-25 M2	0525584	199.94
4	BF-03-111-15 M2	0525601	BF-03-111-25 M2	0525602	234.15
5	BF-03-111-15 M2	0525619	BF-03-111-25 M2	0525620	321.80
6	BF-03-111-15 M2	0525637	BF-03-111-25 M2	0525638	386.24
8	BF-03-111-15 M2	0525655	BF-03-111-25 M2	0525656	533.09
10	BF-03-111-15 M2	0525673	BF-03-111-25 M2	0525674	763.53
12	BF-03-111-15 M2	0525691	BF-03-111-25 M2	0525692	1243.07
2	BF-03-121-15 M2	0525549	BF-03-121-25 M2	0525550	182.95
2½	BF-03-121-15 M2	0525567	BF-03-121-25 M2	0525568	186.50
3	BF-03-121-15 M2	0525585	BF-03-121-25 M2	0525586	201.88
4	BF-03-121-15 M2	0525603	BF-03-121-25 M2	0525604	266.52
5	BF-03-121-15 M2	0525621	BF-03-121-25 M2	0525622	342.72
6	BF-03-121-15 M2	0525639	BF-03-121-25 M2	0525640	428.39
8	BF-03-121-15 M2	0525657	BF-03-121-25 M2	0525658	605.90
10	BF-03-121-15 M2	0525675	BF-03-121-25 M2	0525676	963.37
12	BF-03-121-15 M2	0525693	BF-03-121-25 M2	0525694	1376.33
2	BF-03-131-15 M2	0525551	BF-03-131-25 M2	0525552	230.33
2½	BF-03-131-15 M2	0525569	BF-03-131-25 M2	0525570	264.64
3	BF-03-131-15 M2	0525587	BF-03-131-25 M2	0525588	293.19
4	BF-03-131-15 M2	0525605	BF-03-131-25 M2	0525606	367.46
5	BF-03-131-15 M2	0525623	BF-03-131-25 M2	0525624	523.52
6	BF-03-131-15 M2	0525641	BF-03-131-25 M2	0525642	635.76
8	BF-03-131-15 M2	0525659	BF-03-131-25 M2	0525660	801.71
10	BF-03-131-15 M2	0525677	BF-03-131-25 M2	0525678	1222.25
12	BF-03-131-15 M2	0525695	BF-03-131-25 M2	0525696	1806.81



Model BF-03  
Lug, Lever Handle

\*The wetted surface of this product contacted by consumable water contains less than one quarter of one percent (0.25%) of lead by weight.  
Consult factory for ordering code numbers of special models/options.



Model BF-03  
Lug, Gear Operator



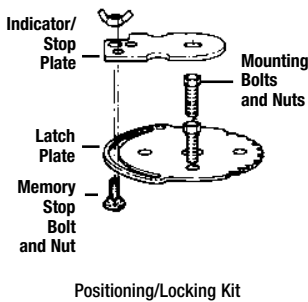
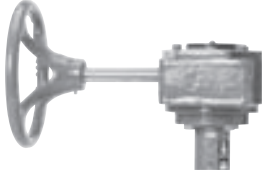
Model BF-04-M2  
Wafer

**Butterfly Valves**

Size	Model	Ordering Code	List Price (each)
<b>Lug, Gear Operator</b>			
2	BF-03-111-1G M2	0525559	\$330.55
2½	BF-03-111-1G M2	0525577	371.28
3	BF-03-111-1G M2	0525595	380.74
4	BF-03-111-1G M2	0525613	428.39
5	BF-03-111-1G M2	0525631	500.62
6	BF-03-111-1G M2	0525649	580.58
8	BF-03-111-1G M2	0525667	755.68
10	BF-03-111-1G M2	0525685	988.16
12	BF-03-111-1G M2	0525703	1524.91
<hr/>			
2	BF-03-121-1G M2	0525541	367.46
2½	BF-03-121-1G M2	0525579	371.28
3	BF-03-121-1G M2	0525597	386.39
4	BF-03-121-1G M2	0525615	451.14
5	BF-03-121-1G M2	0525633	527.18
6	BF-03-121-1G M2	0525651	613.01
8	BF-03-121-1G M2	0525669	843.34
10	BF-03-121-1G M2	0525687	1201.17
12	BF-03-121-1G M2	0525705	1721.09
14	BF-03-121-1G M2	0525717	2638.48
16	BF-03-121-1G M2	0525729	4049.17
18	BF-03-121-1G M2	0525741	4997.21
20	BF-03-121-1G M2	0525753	6305.03
24	BF-03-121-1G M2	0525765	11,319.60
<hr/>			
36	BF-03-221-1G	0528055	25,573.76
<hr/>			
2	BF-03-131-1G M2	0525563	416.94
2½	BF-03-131-1G M2	0525581	449.31
3	BF-03-131-1G M2	0525599	477.87
4	BF-03-131-1G M2	0525617	552.08
5	BF-03-131-1G M2	0525635	708.09
6	BF-03-131-1G M2	0525653	820.59
8	BF-03-131-1G M2	0525671	995.69
10	BF-03-131-1G M2	0525689	1462.26
12	BF-03-131-1G M2	0525707	2155.07
<hr/>			
<b>Wafer, Lever Handle</b>			
2	BF-04-111-15 M2	0525769	\$152.30
2½	BF-04-111-15 M2	0525789	165.74
3	BF-04-111-15 M2	0525807	175.31
4	BF-04-111-15 M2	0525825	205.75
5	BF-04-111-15 M2	0525843	247.43
6	BF-04-111-15 M2	0525861	323.68
8	BF-04-111-15 M2	0525879	468.45
10	BF-04-111-15 M2	0525897	647.32
12	BF-04-111-15 M2	0525915	1104.16
<hr/>			
2	BF-04-121-15 M2	0525771	158.10
2½	BF-04-121-15 M2	0525791	169.50
3	BF-04-121-15 M2	0525809	182.95
4	BF-04-121-15 M2	0525827	226.56
5	BF-04-121-15 M2	0525845	291.26
6	BF-04-121-15 M2	0525863	354.18
8	BF-04-121-15 M2	0525881	565.42
10	BF-04-121-15 M2	0525899	887.22
12	BF-04-121-15 M2	0525917	1258.49
<hr/>			
2	BF-04-131-15 M2	0525773	207.53
2½	BF-04-131-15 M2	0525793	241.99
3	BF-04-131-15 M2	0525811	268.46
4	BF-04-131-15 M2	0525829	355.24
5	BF-04-131-15 M2	0525847	445.60
6	BF-04-131-15 M2	0525865	588.32
8	BF-04-131-15 M2	0525883	738.74
10	BF-04-131-15 M2	0525901	1205.15
12	BF-04-131-15 M2	0525919	1785.73

\*The wetted surface of this product contacted by consumable water contains less than one quarter of one percent (0.25%) of lead by weight.

Consult factory for ordering code numbers of special models/options.

**Butterfly Valve Options**


Gear Operators				Positioning/ Locking Kits		
Size	Kit	Ordering Code	List Price	Kit	Ordering Code	List Price
2	GA-1-M3	0512970	\$ 206.17	#1 POS-LOCK-M2	0530405	\$37.08
2½	GA-1-M3	0512970	206.17	#1 POS-LOCK-M2	0530405	37.08
3	GA-1-M3	0512970	206.17	#1 POS-LOCK-M2	0530405	37.08
4	GA-2-M3	0512971	214.17	#2 POS-LOCK-M2	0530406	41.26
5	GA-3-M3	0512972	213.33	#3 POS-LOCK-M2	0530407	45.45
6	GA-3-M3	0512972	213.33	#3 POS-LOCK-M2	0530407	45.45
8	GA-4-M3	0512973	224.52	#4 POS-LOCK-M2	0530408	55.86
10	GA-5-M3	0512974	237.60	#6 POS-LOCK-M2	0530410	64.02
12	GA-6-M3	0512975	370.34			
14	GA-6-M3	0512975	370.34			
16	GA-7-M3	0512976	680.95			
18	GA-8-M3	0512977	680.95			
20	GA-9-M3	0512978	680.95			
24	GA-10-M3	0512979	1664.92			
Chain Wheel Kits Less Chain				Chain Wheel Chains		
Size	Kit	Ordering Code	List Price	Kit	Ordering Code	List Price
2	#2 BCWK	0523042	\$ 280.38	# 2 BCWC	0523065	\$4.71
2½	#2 BCWK	0523042	280.38	# 2 BCWC	0523065	4.71
3	#2 BCWK	0523042	280.38	# 2 BCWC	0523065	4.71
4	#2 BCWK	0523042	280.38	# 2 BCWC	0523065	4.71
5	#2 BCWK	0523042	280.38	# 2 BCWC	0523065	4.71
6	#2 BCWK	0523042	280.38	# 2 BCWC	0523065	4.71
8	#3 BCWK	0523046	524.94	# 3 BCWC	0523066	6.17
10	#3 BCWK	0523046	524.94	# 3 BCWC	0523066	6.17
12	#3 BCWK	0523046	524.94	# 3 BCWC	0523066	6.17
14	#3 BCWK	0523046	524.94	# 3 BCWC	0523066	6.17
16	#4 BCWK	0523047	1015.46	# 3 BCWC	0523066	6.17
18	#4 BCWK	0523047	1015.46	# 3 BCWC	0523066	6.17
20	#4 BCWK	0523047	1015.46	# 3 BCWC	0523066	6.17
24	#5 BCWK	0523048	2177.14	# 5 BCWC	0523067	8.63
Handle Kits				Gear Operator 2 Sq. Nut*		
2, 2½, 3	HK-2000-M2	0523003	33.37	OPN-B-FG	0530450	14.50
4	HK-2000-M2	0523004	37.55	OPN-BFG	0530450	14.50
5-6	HK-2000-M2	0523005	41.68	OPN-BFG	0530453	15.95
8	HK-2000-M2	0523006	51.93	OPN-BFG	0530453	15.95
10	HK-2000-M2	0523007	56.12	OPN-BFG	0530453	15.95
12	HK-2000-M2	0523008	60.35			

\*2 sq. nut attaches to gear operator shaft (remove hand wheel) and gear shaft positioned vertically to operate valve.

\*The wetted surface of this product contacted by consumable water contains less than one quarter of one percent (0.25%) of lead by weight.  
 Consult factory for ordering code numbers of special models/options.



LFUSG-B-M1  
U.S. Patent # 6,315,209  
(\*with integral checks and strainers)

Model	Ordering Code	Size (in.)	UPC	Qty. Per Carton	Weight Per Carton (lbs.)	List Price (each)
-------	---------------	------------	-----	-----------------	--------------------------	-------------------

**Thermostatic Tempering Valves**
**ASSE 1070 - 80°F - 120°F**
**Series LFUSGM1**

LFUSGM1-B	0559137	3/8" compression brass body	098268451955	6	10	\$ 142.17
LFUSG-B-SC M1	0559138	3/8" compression brass body — satin chrome	098268451962	6	10	223.86


**LavSafe™ Thermostatic Faucet**
**ASSE 1070, cUPC, NSF 61 Annex 9-G, ADA**

1070	0205258	3/8" compression, 2.0 gpm aerator	098268536850	6	25	\$259.00
1070-6	0205259	3/8" compression, 2.0 gpm aerator, 6" lever handle	098268536867	6	25	269.00
1070A5	0205260	3/8" compression, 0.5 gpm Outlet	098268536898	6	25	264.00
1070A15	0205261	3/8" compression, 1.5 gpm aerator †	098268536904	6	25	264.00
1070PW	0205262	3/8" compression, 2.0 gpm aerator, pop-up waste	098268536911	6	31	283.00
P1070	0205263	3/8" compression, deck plate, 2.0 gpm aerator	098268536928	6	27	279.00
P1070-6	0205264	3/8" compression, deck plate, 2.0 gpm aerator, 6" lever handle	098268536935	6	27	289.00
P1070A5	0205265	3/8" compression, deck plate, 0.5 gpm Outlet	098268536942	6	27	284.00
P1070A15	0205266	3/8" compression, deck plate, 1.5 gpm aerator †	098268536959	6	27	284.00
P1070PW	0205267	3/8" compression, deck plate, 2.0 gpm aerator, pop-up waste	098268536966	6	33	303.00
G1070	0205268	3/8" compression, gooseneck spout, 2.0 gpm aerator	098268536973	6	26	339.00
G1070A5	0205269	3/8" compression, gooseneck spout, 0.5 gpm Outlet	098268536980	6	26	344.00
GP1070	0205270	3/8" compression, gooseneck spout, deck plate, 2.0 gpm aerator	098268536997	6	30	369.00
GP1070A5	0205271	3/8" compression, gooseneck spout, deck plate, 0.5 gpm Outlet	098268537000	6	30	374.00

† WaterSense® applies to 1.5 gpm models only.



1070



P1070



G1070



GP1070-6



LFMMV-UT-M1

Model	Ordering Code	Size (in.)	UPC	Qty. Per Carton	Weight Per Carton (lbs.)	List Price (each)
-------	---------------	------------	-----	-----------------	--------------------------	-------------------

**Thermostatic Tempering Valves**
**ASSE 1017, 1069, 1070 — Maximum Temperature 80°F - 120°F**
**Series LFMMVM1**
**Union PEX Ends**

LFMMVM1-PEX	0559114	1/2	098268451771	12	24	\$ 181.72
LFMMVM1-PEX	0559117	3/4	098268451801	12	30	229.74
LFMMVM1-PEX	0559120	1	098268451832	6	20.5	272.44

**Union Solder Ends**

LFMMVM1-US	0559115	1/2	098268451788	12	24.5	181.72
LFMMVM1-US	0559118	3/4	098268451818	12	31.2	224.28
LFMMVM1-US	0559121	1	098268451849	6	16.3	267.19

**Union Threaded Ends**

LFMMVM1-UT	0559116	1/2	098268451795	12	25	181.72
LFMMVM1-UT	0559119	3/4	098268451825	12	34	235.06
LFMMVM1-UT	0559122	1	098268451856	6	22.6	277.69

**Union CPVC Ends**

LFMMVM1-CPVC	0559161	1/2	098268452396	12	23	181.72
LFMMVM1-CPVC	0559162	3/4	098268452402	12	28	229.74
LFMMVM1-CPVC	0559163	1	098268452419	6	16	272.44

**Union Quick-Connect Ends**

LFMMVM1-QC	0559164	1/2	098268452426	12	28	196.42
LFMMVM1-QC	0559165	3/4	098268452433	6	20	253.40
LFMMVM1-QC	0559166	1	098268452440	6	24	299.74

**Thermostatic Tempering Valves**
**ASSE 1017 — Maximum Temperature 90°F - 160°F**
**Series LF1170M2**
**Union PEX Ends**

LF1170M2-PEX	0559143	1/2	098268452211	12	24	\$ 170.73
LF1170M2-PEX	0559102	3/4	098268451658	12	34.8	224.28
LF1170M2-PEX	0559144	1	098268452228	6	19	267.19

**Union Solder Ends**

LF1170M2-US	0559100	1/2	098268451634	12	24	170.73
LF1170M2-US	0559103	3/4	098268451665	12	34.7	213.64
LF1170M2-US	0559105	1	098268451689	6	20.1	256.27

**Union Threaded Ends**

LF1170M2-UT	0559101	1/2	098268451641	12	28	170.73
LF1170M2-UT	0559104	3/4	098268451672	12	36.4	224.28
LF1170M2-UT	0559106	1	098268451696	6	23.4	267.19

**Union CPVC Ends**

LF1170M2-CPVC	0559145	1/2	098268452235	12	23	170.73
LF1170M2-CPVC	0559146	3/4	098268452242	12	28	224.28
LF1170M2-CPVC	0559147	1	098268452259	6	16	267.19

**Union Quick-Connect Ends**

LF1170M2-QC	0559148	1/2	098268452266	12	28	185.43
LF1170M2-QC	0559149	3/4	098268452273	6	20	242.62
LF1170M2-QC	0559150	1	098268452280	6	24	289.24



LF1170-UT-M2

\*The wetted surface of this product contacted by consumable water contains less than one quarter of one percent (0.25%) of lead by weight.

Model	Ordering Code	Size (in.)	UPC	Qty. Per Carton	Weight Per Carton (lbs.)	List Price (each)
<b>Thermostatic Tempering Valves</b>						
<b>ASSE 1017 - Low Temperature 60°F - 120°F</b>						
<b>Series LFL1170M2</b>						
<b>Union PEX Ends</b>						
LFL1170M2-PEX	0559151	1/2	098268452297	12	24	\$170.73
LFL1170M2-PEX	0559152	3/4	098268452303	12	31	224.28
LFL1170M2-PEX	0559153	1	098268452310	6	19	267.19
<b>Union Solder Ends</b>						
LFL1170M2-US	0559107	1/2	098268451702	12	23.8	170.73
LFL1170M2-US	0559109	3/4	098268451726	12	33.6	213.64
LFL1170M2-US	0559111	1	098268451740	6	19.3	256.27
<b>Union Threaded Ends</b>						
LFL1170M2-UT	0559108	1/2	098268451719	12	26.2	170.73
LFL1170M2-UT	0559110	3/4	098268451733	12	30.7	224.28
LFL1170M2-UT	0559160	1	098268452389	6	18.6	267.19
<b>Union CPVC Ends</b>						
LFL1170M2-CPVC	0559154	1/2	098268452327	12	23	170.73
LFL1170M2-CPVC	0559155	3/4	098268452334	12	28	224.28
LFL1170M2-CPVC	0559156	1	098268452341	6	16	267.19
<b>Union Quick-Connect Ends</b>						
LFL1170M2-QC	0559157	1/2	098268452358	12	28	185.43
LFL1170M2-QC	0559158	3/4	098268452365	6	20	242.62
LFL1170M2-QC	0559159	1	098268452372	6	24	289.24

**Master Tempering Valves**
**ASSE 1017 — 90°F - 180°F - For Commercial Installations**
**Series LFN170M3**

LFN170M3	0559124	3/4	686408611972	6	29	754.00
LFN170M3	0559125	1	686408611989	6	29	848.25
LFN170M3	0559126	1 1/4	686408611996	6	57	1312.25
LFN170M3	0559127	1 1/2	686408612009	4	36	1435.50
LFN170M3	0559128	2	686408612016	3	31	2153.25



LFN170-M3

**Master Tempering Valves with Check Stops**
**ASSE 1017 — 90°F - 180°F - For Commercial Installations**

LFN170M3-CSUT	0559167	3/4	686408612177	1	10	946.85
LFN170M3-CSUT	0559168	1	686408612184	1	10	1080.25
LFN170M3-CSUT	0559169	1 1/4	686408612191	1	10	1442.75
LFN170M3-CSUT	0559170	1 1/2	686408612207	1	10	1602.25
LFN170M3-CSUT	0559171	2	686408612214	1	11	2247.50



LFN170-M3 CSUT

\*The wetted surface of this product contacted by consumable water contains less than one quarter of one percent (0.25%) of lead by weight.



**LEAD FREE\***

# Water Hammer Arrestor

Model	Ordering Code	Size (in.)	UPC	Qty. Per Carton	Weight Per Carton (lbs.)	List Price (each)
<b>Mini Water Hammer Arrestors</b>						
<b>ASSE Std 1010, IAPMO Listed</b>						
LF05	0009850	3/8	098268430110	30	13	\$33.95
LF05	0009851	1/2	098268430127	30	13	34.09
LF05H	0009852	3/4	098268430134	12	7	39.29
LF05H-M1	0009853	3/4	098268430141	12	9	40.43
LF05-S	0009854	1/2	098268430158	30	11	34.09
LF05-S	0009856	3/4	098268430172	24	18	40.43
LF05A-CH	0009855	3/4	098268430165	12	14	70.61
LF05-PEX-T	0009857	1/2	098268430189	12	10	44.21
<b>Water Hammer Arrestors - Stops Banging Pipes - P.D.I. approved, ASSE Std. 1010, IAPMO Listed</b>						
LF15	0009858	1/2	098268448061	30	23	66.69
LF15	0009859	3/4	098268448078	24	30	78.50
LF15	0009860	1	098268448085	12	22	202.91
LF15	0009861	1 1/4	098268448092	6	26	241.99
LF15	0009862	1 1/2	098268448108	4	26	363.35
LF15	0009863	2	098268448115	4	c	581.65

\*The wetted surface of this product contacted by consumable water contains less than one quarter of one percent (0.25%) of lead by weight.



LF3001A



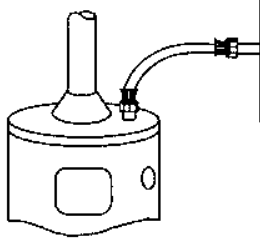
LF3002



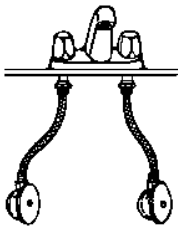
LF3003

Model	Ordering Code	Size (in.)	UPC	Qty. Per Carton	Weight Per Carton (lbs.)	List Price (each)
<b>Series LF3000</b>						
<b>Female Iron Pipe Thread to Copper Solder Joint</b>						
LF3001A	0009864	1/2	098268430196	24	9	\$ 11.54
LF3001A	0009865	3/4	098268430202	24	10	11.54
LF3001A	0009866	1	098268430219	12	7	26.06
LF3001A	0009867	1 1/4	098268430226	12	10	42.93
LF3001A	0009868	1 1/2	098268430233	12	10	62.71
LF3001A	0009869	2	098268430240	6	13	88.29
<b>Female Iron Pipe Thread to Reduced Copper Solder Joint</b>						
LF3002	0009872	3/4 x 1/2	098268430271	24	10	14.92
LF3002	0009873	1 x 3/4	098268430288	12	8	25.72
<b>Female Iron Pipe Thread to Female Brass Pipe Thread</b>						
LF3003	0009874	1/2	098268430295	24	10	24.44
LF3003	0009875	3/4	098268430301	12	15	30.31
LF3003	0009876	1	098268430318	12	11	46.78
LF3003	0009877	1 1/4	098268430325	12	20	70.07
LF3003	0009878	1 1/2	098268430332	6	18	81.40
LF3003	0009879	2	098268430349	6	26	108.35
<b>Female Iron Pipe Thread to Female Iron Pipe Thread — Galvanized</b>						
LF3004	0821930	1/2	098268461480	24	10	18.43
LF3004	0821931	3/4	098268461497	12	15	20.79
LF3004	0821932	1	098268461503	12	11	27.81
LF3004	0821933	1 1/4	098268461510	12	20	37.60
<b>Male Iron Pipe Thread to Copper Solder Joint</b>						
LF3005A	0009870	1/2	098268430257	12	10	16.34
LF3005A	0009871	3/4	098268430264	24	8	19.78
<b>Male Iron Pipe Thread to Reduced Solder Connection</b>						
LF3007	0821936	1/2 x 3/8	098268461541	12	5	20.72
LF3007	0821937	3/4 x 1/2	098268461558	24	10	25.65
<b>Female Brass Pipe Thread to Female Solder Connection</b>						
LF3008	0009880	1/2	098268430356	24	10	24.84
LF3008	0009881	3/4	098268430363	24	8	25.92
LF3008	0009882	1	098268430370	12	11	44.89

\*The wetted surface of this product contacted by consumable water contains less than one quarter of one percent (0.25%) of lead by weight.



LFCWH-S-FF-L  
Water Heater Connector  
Large Diameter



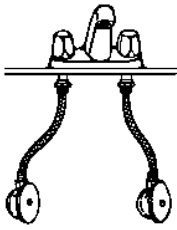
LFCFC-S-CC  
Faucet Connector

Model	Ordering Code	Size (in.)	UPC	Qty. Per Carton	Weight Per Carton (lbs.)	List Price (each)
<b>Large Diameter Stainless Steel Water Heater Connectors</b>						
<b>Max. Temperature 180°F / Max. Pressure 150psi</b>						
LFCWH-S-FF-Lx12	0298441	3/4 x 3/4	098268485615	40	26	\$ 19.51
LFCWH-S-FF-Lx15	0298442	3/4 x 3/4	098268485622	40	28	21.18
LFCWH-S-FF-Lx18	0298443	3/4 x 3/4	098268485639	40	32	22.65
LFCWH-S-FF-Lx24	0298444	3/4 x 3/4	098268485646	40	38	26.15
LFCWH-S-AF-Lx12	0298445	7/8 x 3/4	098268485653	40	29	22.38
LFCWH-S-AF-Lx15	0298446	7/8 x 3/4	098268485660	40	34	24.06
LFCWH-S-AF-Lx18	0298447	7/8 x 3/4	098268485677	40	37	45.29
LFCWH-S-AF-Lx24	0298448	7/8 x 3/4	098268485684	40	52	47.12
LFCWH-S-AF-Lx12	0298449	5/8 x 3/4	098268485691	40	25	22.65
LFCWH-S-AF-Lx15	0298450	5/8 x 3/4	098268485707	40	31	23.54
LFCWH-S-AF-Lx18	0298451	5/8 x 3/4	098268485714	40	36	25.37
LFCWH-S-AF-Lx24	0298452	5/8 x 3/4	098268485721	40	48	29.34
LFCWH-S-FM-Lx12	0298453	3/4 x 3/4	098268485738	40	25	22.38
LFCWH-S-FM-Lx15	0298454	3/4 x 3/4	098268485745	40	28	23.95
LFCWH-S-FM-Lx18	0298455	3/4 x 3/4	098268485752	40	30	25.26
LFCWH-S-FM-Lx24	0298456	3/4 x 3/4	098268485769	40	40	28.87
LFCWH-S-AM-Lx12	0298457	7/8 x 3/4	098268485776	40	31	25.16
LFCWH-S-AM-Lx15	0298458	7/8 x 3/4	098268485783	40	34	26.67
LFCWH-S-AM-Lx18	0298459	7/8 x 3/4	098268485790	40	37	27.72
LFCWH-S-AM-Lx24	0298460	7/8 x 3/4	098268485806	40	48	31.96
CWH-S-FF-L	0298274	3/4 x 3/4 x 36	098268732051	40	50	34.99
CWH-S-FF-L	0298275	3/4 x 3/4 x 48	098268733068	40	60	43.57
CWH-S-FF-L	0298276	3/4 x 3/4 x 60	098268733075	40	71	52.40
CWH-S-AF-L	0298281	7/8 x 3/4 x 48	098268733129	40	61	46.49

**Stainless Steel Faucet Connectors**
**Max. Temperature 180°F / Max. Pressure 125psi**

LFCFC-S-CCx12	0298400	3/8 x 3/8	098268485202	100	20	\$ 6.49
LFCFC-S-CCx16	0298401	3/8 x 3/8	098268485219	100	25	7.43
LFCFC-S-CCx20	0298402	3/8 x 3/8	098268485226	100	31	8.16
LFCFC-S-CCx24	0298403	3/8 x 3/8	098268485233	100	31	9.73
LFCFC-S-CFx12	0298404	1/2 x 1/2	098268485240	100	24	7.32
LFCFC-S-CFx16	0298405	1/2 x 1/2	098268485257	100	27	8.00
LFCFC-S-CFx20	0298406	1/2 x 1/2	098268485264	100	32	8.68
LFCFC-S-CFx24	0298407	1/2 x 1/2	098268485271	100	35	9.57
LFCFC-S-CFx12	0298408	3/8 x 1/2	098268485288	100	22	6.49
LFCFC-S-CFx16	0298409	3/8 x 1/2	098268485295	100	26	7.43
LFCFC-S-CFx20	0298410	3/8 x 1/2	098268485301	100	31	8.16
LFCFC-S-CFx24	0298411	3/8 x 1/2	098268485318	100	39	9.73
LFCFC-S-TFx12	0298412	3/8 x 1/2	098268485325	100	24	7.32
LFCFC-S-TFx16	0298413	3/8 x 1/2	098268485332	100	20	7.58
LFCFC-S-TFx20	0298414	3/8 x 1/2	098268485349	100	29	8.16
LFCFC-S-TFx24	0298415	3/8 x 1/2	098268485356	100	37	11.24
LFCFC-S-CFx12	0298416	7/16 x 1/2	098268485363	100	24	7.27
LFCFC-S-CFx16	0298417	7/16 x 1/2	098268485370	100	28	7.58
LFCFC-S-CFx20	0298418	7/16 x 1/2	098268485387	100	33	8.42
LFCFC-S-CFx24	0298419	7/16 x 1/2	098268485394	100	20	9.57
LFCFC-S-FFx12	0298420	1/2 x 1/2	098268485400	100	25	7.90
LFCFC-S-FFx16	0298421	1/2 x 1/2	098268485417	100	31	8.16
LFCFC-S-FFx20	0298422	1/2 x 1/2	098268485424	100	33	9.15
LFCFC-S-FFx24	0298423	1/2 x 1/2	098268485431	100	38	9.57

\*The wetted surface of this product contacted by consumable water contains less than one quarter of one percent (0.25%) of lead by weight.



Model	Ordering Code	Size (in.)	UPC	Qty. Per Carton	Weight Per Carton (lbs.)	List Price (each)
-------	---------------	------------	-----	-----------------	--------------------------	-------------------

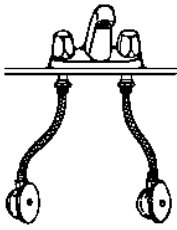
**Stainless Steel Faucet Connectors**
**Max. Temperature 180°F / Max. Pressure 125psi**

CFC-S-CC	0298113	3/8 x 3/8 x 30	098268628210	10	8	\$ 11.98
CFC-S-CC	0298114	3/8 x 3/8 x 36	098268628227	10	9	14.43
CFC-S-CC	0298115	3/8 x 3/8 x 48	098268628234	10	12	18.46
CFC-S-CC	0298116	3/8 x 3/8 x 60	098268628241	10	15	21.60
CFC-S-CC	0298117	3/8 x 3/8 x 72	098268628258	10	18	24.84
CFC-S-CF	0298122	1/2 x 1/2 x 30	098268628302	10	8	10.20
CFC-S-CF	0298123	1/2 x 1/2 x 36	098268628319	10	9	11.98
CFC-S-CF	0298124	1/2 x 1/2 x 48	098268628326	10	12	15.43
CFC-S-CF	0298125	1/2 x 1/2 x 60	098268628333	10	15	19.40
CFC-S-CF	0298126	1/2 x 1/2 x 72	098268628340	10	18	29.18
CFC-S-CF	0298131	3/8 x 1/2 x 30	098268628395	10	8	11.98
CFC-S-CF	0298132	3/8 x 1/2 x 36	098268628401	10	9	14.43
CFC-S-CF	0298133	3/8 x 1/2 x 48	098268628418	10	12	18.46
CFC-S-CF	0298134	3/8 x 1/2 x 60	098268628425	10	15	21.60
CFC-S-CF	0298135	3/8 x 1/2 x 72	098268628432	10	18	24.84
CFC-S-CF	0298149	7/16 x 1/2 x 30	098268628579	10	8	12.13
CFC-S-CF	0298150	7/16 x 1/2 x 36	098268628586	10	9	13.55
CFC-S-FF	0298155	1/2 x 1/2 x 30	098268628630	10	8	10.20
CFC-S-FF	0298156	1/2 x 1/2 x 36	098268628647	10	9	11.82
CFC-S-FF	0298157	1/2 x 1/2 x 48	098268628654	10	12	15.11
CFC-S-FF	0298158	1/2 x 1/2 x 60	098268628661	10	15	19.25
CFC-S-FF	0298159	1/2 x 1/2 x 72	098268628678	10	18	21.81
CFC-S-TF	0298140	3/8 x 1/2 x 30	098268628487	10	8	13.55
CFC-S-TF	0298141	3/8 x 1/2 x 36	098268628494	10	9	16.21
CFC-S-TF	0298142	3/8 x 1/2 x 48	098268628500	10	12	21.44
CFC-S-TF	0298143	3/8 x 1/2 x 60	098268628517	10	15	25.10
CFC-S-TF	0298144	3/8 x 1/2 x 72	098268628524	10	18	28.56
CFC-S-TF	0298164	1/2 x 1/2 x 30	098268628722	10	8	14.02
CFC-S-TF	0298165	1/2 x 1/2 x 36	098268628739	10	9	15.74
CFC-S-TF	0298166	1/2 x 1/2 x 48	098268628746	10	12	17.15
CFC-S-TF	0298167	1/2 x 1/2 x 60	098268628753	10	15	17.57
CFC-S-TF	0298168	1/2 x 1/2 x 72	098268628760	10	18	25.16

**Reinforced PVC Faucet Connectors**
**Max. Temperature 140°F / Max. Pressure 125psi**

LFCFC-P-CC	0298424	3/8 x 3/8 x 12	098268485448	100	22.1	\$ 5.54
LFCFC-P-CC	0298425	3/8 x 3/8 x 16	098268485455	100	21.8	5.86
LFCFC-P-CC	0298426	3/8 x 3/8 x 20	098268485462	100	23.3	5.96
LFCFC-P-CC	0298427	3/8 x 3/8 x 24	098268485479	100	37.5	6.12
LFCFC-P-CF	0298428	1/2 x 1/2 x 12	098268485486	100	22.1	5.23
LFCFC-P-CF	0298429	1/2 x 1/2 x 16	098268485493	100	20	5.28
LFCFC-P-CF	0298430	1/2 x 1/2 x 20	098268485509	100	33.1	5.86
LFCFC-P-CF	0298431	3/8 x 1/2 x 12	098268485516	100	21.5	5.23
LFCFC-P-CF	0298432	3/8 x 1/2 x 16	098268485523	100	24.3	5.28
LFCFC-P-CF	0298433	3/8 x 1/2 x 20	098268485530	100	26.9	5.81
LFCFC-P-CF	0298434	3/8 x 1/2 x 24	098268485547	100	29.4	5.86
LFCFC-P-FF	0298435	1/2 x 1/2 x 12	098268485554	100	23.1	3.87
LFCFC-P-FF	0298461	1/2 x 1/2 x 15	098268485813	100	28.7	4.10
LFCFC-P-FF	0298436	1/2 x 1/2 x 16	098268485561	100	28.7	4.29

\*The wetted surface of this product contacted by consumable water contains less than one quarter of one percent (0.25%) of lead by weight.

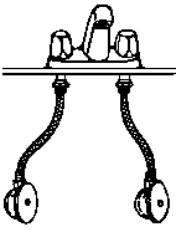


Model	Ordering Code	Size (in.)	UPC	Qty. Per Carton	Weight Per Carton (lbs.)	List Price (each)
<b>Reinforced PVC Faucet Connectors</b>						
<b>Max. Temperature 140°F / Max. Pressure 125psi</b>						
LFCFC-P-FF	0298437	1/2 x 1/2 x 20	098268485578	100	29.6	\$ 4.55
LFCFC-P-FF	0298438	1/2 x 1/2 x 24	098268485585	100	33.6	5.02
CFC-P-CC	0298175	3/8 x 3/8 x 30	098268626919	10	8	6.49
CFC-P-CC	0298176	3/8 x 3/8 x 36	098268626926	10	9	7.43
CFC-P-CC	0298177	3/8 x 3/8 x 48	098268626933	10	12	8.16
CFC-P-CC	0298178	3/8 x 3/8 x 60	098268626940	10	15	8.89
CFC-P-CC	0298179	3/8 x 3/8 x 72	098268626957	10	18	9.57
CFC-P-CF	0298184	1/2 x 1/2 x 30	098268627008	10	8	6.22
CFC-P-CF	0298185	1/2 x 1/2 x 36	098268627015	10	9	7.58
CFC-P-CF	0298186	1/2 x 1/2 x 48	098268627022	10	12	7.90
CFC-P-CF	0298187	1/2 x 1/2 x 60	098268627039	10	15	8.68
CFC-P-CF	0298188	1/2 x 1/2 x 72	098268627046	10	18	9.26
CFC-P-TF	0298193	1/2 x 1/2 x 30	098268627091	10	8	6.49
CFC-P-TF	0298194	1/2 x 1/2 x 36	098268627107	10	9	7.43
CFC-P-TF	0298195	1/2 x 1/2 x 48	098268627114	10	12	8.16
CFC-P-TF	0298196	1/2 x 1/2 x 60	098268627121	10	15	9.57
CFC-P-TF	0298197	1/2 x 1/2 x 72	098268627138	10	18	10.72
CFC-P-CF	0298202	3/8 x 1/2 x 30	098268627183	10	8	5.96
CFC-P-CF	0298203	3/8 x 1/2 x 36	098268627190	10	9	7.27
CFC-P-CF	0298204	3/8 x 1/2 x 48	098268627206	10	12	7.32
CFC-P-CF	0298205	3/8 x 1/2 x 60	098268627213	10	15	8.16
CFC-P-CF	0298206	3/8 x 1/2 x 72	098268627220	10	18	9.15
CFC-P-TF	0298211	3/8 x 1/2 x 30	098268627282	10	8	5.96
CFC-P-TF	0298212	3/8 x 1/2 x 36	098268627299	10	9	7.27
CFC-P-TF	0298213	3/8 x 1/2 x 48	098268627305	10	12	7.32
CFC-P-TF	0298214	3/8 x 1/2 x 60	098268627312	10	15	8.16
CFC-P-TF	0298215	3/8 x 1/2 x 72	098268627327	10	18	9.15
CFC-P-FF	0298226	1/2 x 1/2 x 30	098268627442	10	8	5.81
CFC-P-FF	0298227	1/2 x 1/2 x 36	098268627459	10	9	6.49
CFC-P-FF	0298228	1/2 x 1/2 x 48	098268627466	10	12	7.27
CFC-P-FF	0298229	1/2 x 1/2 x 60	098268627473	10	15	8.68
CFC-P-FF	0298230	1/2 x 1/2 x 72	098268627480	10	18	9.15

**Floodsafe Connectors -**
**Braided Stainless Faucet Connectors**
**Max. Temperature 180°F / Max. Pressure 125psi**


LFFSFC-S-CF	0392400	3/8 x 1/2 x 12	098268485820	100	32.7	\$ 9.62
LFFSFC-S-CF	0392401	3/8 x 1/2 x 16	098268485837	100	33.5	10.56
LFFSFC-S-CF	0392402	3/8 x 1/2 x 20	098268485844	100	78.7	11.24
LFFSFC-S-FF	0392415	1/2 x 1/2 x 12	098268486032	100	36.6	10.88
LFFSFC-S-FF	0392403	1/2 x 1/2 x 16	098268485851	100	40.7	11.24
LFFSFC-S-FF	0392404	1/2 x 1/2 x 20	098268485868	100	89.7	11.98
LFFSFC-S-CF	0392406	3/8 x 3/8 x 12	098268485882	100	32	4.86
LFFSFC-S-CF	0392407	3/8 x 3/8 x 20	098268485899	100	35.3	6.17
LFFSFC-S-CC	0392408	3/8 x 3/8 x 12	098268485905	100	58.2	9.62
LFFSFC-S-CC	0392409	3/8 x 3/8 x 16	098268485912	100	33.1	10.56
LFFSFC-S-CC	0392410	3/8 x 3/8 x 20	098268485929	100	37.7	11.24
LFFSFC-S-CF	0392411	1/2 x 1/2 x 12	098268485936	100	32	10.36
LFFSFC-S-CF	0392412	7/16 x 1/2 x 12	098268485943	100	32.2	10.30
LFFSFC-S-CF	0392413	7/16 x 1/2 x 16	098268485981	100	35.6	10.67
LFFSFC-S-CF	0392414	7/16 x 1/2 x 20	098268486018	100	78.7	11.40

\*The wetted surface of this product contacted by consumable water contains less than one quarter of one percent (0.25%) of lead by weight.



Model	Ordering Code	Size (in.)	UPC	Qty. Per Carton	Weight Per Carton (lbs.)	List Price (each)
<b>Floodsafe Connectors - Braided Stainless Faucet Connectors</b>						
<b>Max. Temperature 180°F / Max. Pressure 125psi</b>						
LFFSCFC-S-TF	0392416	1/2 x 1/2 x 12	098268486049	100	64.8	\$ 10.88
LFFSCFC-S-TF	0392417	1/2 x 1/2 x 16	098268486056	100	71.8	11.24
LFFSCFC-S-TF	0392418	1/2 x 1/2 x 20	098268486063	100	80.9	11.77
LFFSCFC-S-TF	0392419	3/8 x 1/2 x 12	098268486087	100	32	10.36
LFFSCFC-S-TF	0392420	3/8 x 1/2 x 16	098268486094	100	71.8	10.67
LFFSCFC-S-TF	0392421	3/8 x 1/2 x 20	098268486124	100	42	11.24
<b>"Delta Style" Braided Stainless Faucet Connectors</b>						
<b>Max. Temperature 180°F / Max. Pressure 125psi</b>						
LFFSCFC-S-CO	0392405	3/8 x 3/8 x 12	098268485875	100	30.9	11.04
LFFSCFC-S-CO	0392422	3/8 x 3/8 x 20	098268486155	100	38.5	11.61



### Quick'N Easy® Braided Stainless Steel Faucet Connectors

#### 1/2 OD compression x 1/2 faucet connector

LF3812 BSS	0146108	12 long	042805485088	50	11	\$3.44
LF3816 BSS	0146111	16 long	042805485118	50	12	4.15

#### 1/2 FIPS x 1/2 faucet connector

LF2212 BSS	0146103	12 long	042805484999	50	11	3.82
LF2216 BSS	0146104	16 long	042805485002	50	12	4.64
LF2220 BSS	0146106	20 long	042805485026	50	13	5.29

#### 3/8 OD flare x 1/2 faucet connector

LF1212 BSS	0146100	12 long	042805484968	50	11	3.82
LF1216 BSS	0146101	16 long	042805484975	50	12	4.64
LF1220 BSS	0146102	20 long	042805484982	50	13	5.29

#### 3/8 OD flare x 1/2 faucet connector

LF382 OBSS	0146113	20 long	042805485132	50	13	4.69
------------	---------	---------	--------------	----	----	------

#### 3/8 OD compression x 3/8 copper tube Delta® connector

LF381 2SSD	0146109	12 long	042805485095	50	11	4.26
LF382 0SSD	0146114	20 long	042805485149	50	11	5.84

#### 3/8 OD compression x 3/8 OD compression

LF381 2WSS	0146116	12 long	042805485163	50	11	3.22
LF382 0WSS	0146115	20 long	042805485156	50	13	4.69

#### 3/8 OD compression x 1/2 faucet connector

LF381 2B	0146107	3/8 x 12 QCK JBK C12-68CP	042805485033	50	7	2.40
LF381 6B	0146110	3/8 x 16 QCK JBK C16-68CP	042805485101	50	8	2.51
LF382 0B	0146112	3/8 x 20 QCK JBK C20-68CP	042805485125	50	9	2.78

#### 1/2 OD compression x 1/2 faucet connector

LF222 0B	0146105	1/2 -OD JBULK C20-88CP	042805485019	50	9	3.17
----------	---------	---------------------------	--------------	----	---	------

#### Ice Maker

FS-CIC-S	0392210	1/4 x 1/4 x 6'	098268244267	10	8	17.15
FS-CIC-S	0392211	1/4 x 1/4 x 10'	098268244274	10	14	18.57
FS-CIC-S	0392268	1/4 x 1/4 x 20'	098268296747	10	25	23.27

†NOTE: National residential plumbing codes reference the maximum operating temperature as 140°F (60°C). Plumbing fixtures are designed to ANSI-ASME A112 18.1 at 125psi. For other applications requiring higher operating temperatures or pressures, please contact local Watts agent.

\*The wetted surface of this product contacted by consumable water contains less than one quarter of one percent (0.25%) of lead by weight.



LF3812BSS



LF3816B

# OneFlow®



OF744      OF1465



OF817



OF110



OF210

Model	Ordering Code	Size (in.)	UPC	Qty. Per Carton	Weight Per Carton (lbs.)	List Price (each)
<b>OneFlow®</b>						
<b>Cold Water Tank Systems</b>						
OF744-10-C	0002102	1	098268360691	1	22	\$1209.38
OF744-10-D	0002103	1 1/4	098268360707	1	22	1209.38
OF744-10-E	0002104	1	098268360714	1	22	1209.38
OF-844-12-C	0002107	1	098268360745	1	25	1323.33
OF-844-12-D	0002108	1 1/4	098268360752	1	25	1323.33
OF-844-12-E	0002109	1	098268360769	1	25	1323.33
OF-948-16-C	0002112	1	098268360790	1	29	1550.15
OF-948-16-D	0002113	1 1/4	098268360806	1	29	1550.15
OF-948-16-E	0002114	1	098268360813	1	29	1550.15
OF1054-20-C	0002117	1	098268360844	1	35	1841.48
OF1054-20-D	0002118	1 1/4	098268360851	1	35	1841.48
OF1054-20-E	0002119	1	098268360868	1	35	1841.48
OF1252-30-C	0002122	1	098268360899	1	43	2763.83
OF1252-30-D	0002123	1 1/4	098268360905	1	43	2763.83
OF1252-30-E	0002124	1	098268360912	1	43	2763.83
OF1465-50	0002125	2	098268360929	1	74	5506.15
OF1665-75	0002126	2	098268360936	1	90	7070.28
<b>Hot Water Tank Systems</b>						
OF817-8H-B	0002128	1	098268360950	1	22	1591.00
OF817-12H-B	0002133	1	098268361001	1	24	1819.98
OF1019-20H-B	0002138	1	098268361056	1	32	2446.70
OF1465-75H	0002147	2	098268361094	1	68	9503.00
<b>Cold Water Cartridge-based Systems</b>						
OF110-1	0002148	1/2	098268361100	1	5	341.85
OF120-2	0002149	1/2	098268361117	1	8	548.25
OF140-4	0002150	3/4	098268361124	1	18	933.10
<b>Cold Water Cartridge-based Filter Systems</b>						
OF210-1	0002151	1/2	098268361131	1	9	643.93
OF220-2	0002152	1/2	098268361148	1	14	935.25
OF240-4	0002153	3/4	098268361155	1	31	1816.75
<b>Replacement Media for Cold Water Tank Systems</b>						
OF744RM	0002154	-	098268361162	1	6	480.53
OF844RM	0002155	-	098268361179	1	8	577.28
OF948RM	0002156	-	098268361186	1	10	769.70
OF1054RM	0002157	-	098268361193	1	12	962.13
OF1252RM	0002158	-	098268361209	1	15	1442.65
OF1465RM	0002159	-	098268361216	1	25	2404.78
OF1665RM	0002160	-	098268361223	1	34	3653.93
<b>Replacement Media for Hot Water Tank Systems</b>						
OF817-8HRM	0002178	-	098268427233	1	5	400.98
OF817-12HRM	0002179	-	098268427240	1	8	577.28
OF1019-20HRM	0002180	-	098268427257	1	12	962.13
OF1465-75HRM	0002181	-	098268427264	1	34	3653.93

\*The wetted surface of this product contacted by consumable water contains less than one quarter of one percent (0.25%) of lead by weight.

Model	Ordering Code	Size (in.)	UPC	Qty. Per Carton	Weight Per Carton (lbs.)	List Price (each)
-------	---------------	------------	-----	-----------------	--------------------------	-------------------

**OneFlow®**
**Replacement Cartridges for Filter Systems**

OF110RM	0002161	10	098268361230	6	6	\$148.35
OF120RM	0002162	20	098268361247	6	12	241.88
OF140RM	0002163	3/4	098268361254	1	4	443.98
OF110RC	0002164	1/2	098268361261	6	4	46.23
OF120RC	0002165	1/2	098268361278	6	7	89.23
OF140RC	0002166	3/4	098268361285	2	7	206.40

\*The wetted surface of this product contacted by consumable water contains less than one quarter of one percent (0.25%) of lead by weight.



OF110RC



CK-V3006

**Accessories**

CK-V3006	0002167	1	098268361292	1	2	40.46
CK-V3191-01	0002168	1	098268361308	1	1	20.01
CK-V3007	0002169	1	098268361315	1	1	10.21
CK-V3007-04	0002172	1	098268361346	1	2	14.56
CK-V3007-05	0002173	1 1/4	098268361353	1	1.5	15.66
OFSSS8	0002174	8	098268361360	1	1.5	111.25
OFSSS9	0002175	9	098268361377	1	1.5	111.25
OFSSS10	0002176	10	098268361384	1	14	162.00
OFSSS23	0002177	12	098268361391	1	16	291.25

**Series 10 Tees**
**Type 23 Union Tee**


1023-04

Model	EDP#/ UPC#	Size & Connection	Ind. Bag	Inner Ctn	Mstr Ctn	Unit Weight (lbs.)	List Price (each)
1023B-04	0666115 098268426502	¼" OD	10	20	200	.15	\$18.60
1023B-06	0666116 098268426519	¾" OD	10	10	100	.30	22.67
1023B-08	0666117 098268426526	½" OD	10	6	60	.45	28.52

**Type 24R Reducing Tee**


1024R-060604

1024RB-060604	0666118 098268426533	¾" OD x ¾" OD x ¼" OD	10	10	100	.30	24.08
1024RB-080806	0666119 098268426540	½" OD x ½" OD x ¾" OD	10	5	50	.50	31.71

**Series 10 Elbows**
**Type 17 Union Elbow**


1017-04

1017B-04	0666120 098268426557	¼" OD	10	30	300	.10	\$14.68
1017B-06	0666121 098268426564	¾" OD	10	10	100	.20	22.45
1017B-08	0666122 098268426571	½" OD	10	10	100	.30	36.52

**Type 17R Reducing Union Elbow**


1017RB-0604

1017RB-0604	0666146 098268426816	¾" OD x ¼" OD	10	20	200	.10	24.81
-------------	-------------------------	---------------	----	----	-----	-----	-------

**Type 18 Stackable Elbow**


1018-06

1018B-04	0666142 098268426779	¼" OD	10	25	250	.15	17.97
1018B-06	0666143 098268426786	¾" OD	10	10	100	.25	22.45
1018B-08	0666144 098268426793	½" OD	10	8	80	.40	27.33

**Type 19 Male Elbow**


1019-0402

1019B-0402	0666135 098268426700	¼" OD x ¼" NPTF	10	30	300	.10	13.10
1019B-0404	0666136 098268426717	¼" OD x ¼" NPTF	10	30	300	.05	14.90
1019B-0406	0666137 098268426724	¼" OD x ¾" NPTF	10	20	200	.20	17.77
1019B-0604	0666138 098268426731	¾" OD x ¼" NPTF	10	10	100	.15	19.77
1019B-0606	0666139 098268426748	¾" OD x ¾" NPTF	10	20	200	.15	20.28
1019B-0806	0666140 098268426755	½" OD x ¾" NPTF	10	10	100	.25	25.70
1019B-0808	0666141 098268426762	½" OD x ½" NPTF	10	10	100	.15	26.52

\*The wetted surface of this product contacted by consumable water contains less than one quarter of one percent (0.25%) of lead by weight.

**Series 10 Connectors**
**Type 15 Union Connector**

Model	EDP#/ UPC#	Size & Connection	Ind. Bag	Inner Ctn	Mstr Ctn	Unit Weight (lbs.)	List Price (each)
1015B-04	0666110 098268426458	¼" OD	10	30	300	.10	\$12.89
1015B-06	0666111 098268426465	⅜" OD	10	10	100	.20	17.40
1015B-08	0666112 098268426472	½" OD	10	10	100	.30	20.52



1015-06

**Type 15R Reducing Union**

1015RB-0604	0666113 098268426489	⅜" OD x ¼" OD	10	20	200	.15	17.77
1015RB-0806	0666114 098268426496	½" OD x ⅜" OD	10	8	80	.35	24.22



1015R-0604

**Type 10 Female Connector**

1010B-0401	0666147 098268426823	¼" OD x ⅞" UNS	10	20	200	.20	19.18
1010B-0601	0666148 098268426830	⅜" OD x ⅞" UNS	10	20	200	.18	19.78
1010B-0404	0666123 098268426588	¼" OD x ¼" NPTF	10	20	200	.15	29.71
1010B-0604	0666124 098268426595	⅜" OD x ¼" NPTF	10	20	200	.15	30.65



1010B-0604

**Type 01 Male Connector**

1001B-0402	0666125 098268426601	¼" OD x ⅛" NPTM	10	30	300	.05	8.38
1001B-0404	0666126 098268426618	¼" OD x ¼" NPTM	10	30	300	.10	9.55
1001B-0406	0666127 098268426625	¼" OD x ⅜" NPTM	10	30	300	.10	13.25
1001B-0408	0666128 098268426632	¼" OD x ½" NPTM	10	25	250	.15	16.90
1001B-0602	0666129 098268426649	⅜" OD x ⅛" NPTM	10	25	250	.15	16.90
1001B-0604	0666130 098268426656	⅜" OD x ¼" NPTM	10	20	200	.15	14.45
1001B-0606	0666131 098268426663	⅜" OD x ⅜" NPTM	10	20	200	.15	16.58
1001B-0608	0666132 098268426670	⅜" OD x ½" NPTM	10	20	200	.15	25.78
1001B-0806	0666133 098268426687	½" OD x ⅜" NPTM	10	15	150	.20	22.45
1001B-0808	0666134 098268426694	½" OD x ½" NPTM	10	15	150	.15	24.22



1001B-0402

\*The wetted surface of this product contacted by consumable water contains less than one quarter of one percent (0.25%) of lead by weight.

**Series 10 Stems**
**Type 14R Reducing Stem**

Model	EDP#/ UPC#	Size & Connection	Ind. Bag	Inner Ctn	Mstr Ctn	Unit Weight (lbs.)	List Price (each)
1014RB-0604	0666145 098268426809	3/8" OD x 1/4" OD	10	30	300	.05	\$14.45



1014R-0604

**Type 27 Male Stem**

1027B-0402	0666104 098268426397	1/4" OD x 1/8" NPTM	10	30	300	.10	11.75
1027B-0404	0666105 098268426403	1/4" OD x 1/4" NPTM	10	30	300	.10	10.85
1027B-0604	0666106 098268426410	3/8" OD x 1/4" NPTM	10	10	100	.20	12.11
1027B-0606	0666107 098268426427	3/8" OD x 3/8" NPTM	10	10	100	.20	11.94
1027B-0806	0666108 098268426434	1/2" OD x 3/8" NPTM	10	10	100	.20	13.48



1027-0606

**Series 10 Stops**
**Type 45 End Stop**

1045B-04	0666109 098268426441	1/4" OD	10	50	500	.05	20.10
----------	-------------------------	---------	----	----	-----	-----	-------



1045-04

**Series 10 Valves**
**Type 39 Union Stop Valve**

1039B-04	0666102 098268426373	1/4" OD	10	8	80	.45	42.22
1039B-06	0666103 098268426380	3/8" OD	10	6	60	.55	44.58



1039

**Type 62 Male Stop Valve**

1062B-04	0666100 098268426359	1/4" OD x 1/4" NPTM	10	8	80	.45	42.22
1062B-06	0666101 098268426366	3/8" OD x 3/8" NPTM	10	6	60	.55	44.58



1062

**Type 53 Female Angle Valve**

1053B-0404	0666149 098268426847	1/4" OD x 1/4" NPTF	10	8	80	.45	46.52
1053B-0604	0666150 098268427134	3/8" OD x 1/4" NPTF	10	6	60	.50	48.44



1053-0604

\*The wetted surface of this product contacted by consumable water contains less than one quarter of one percent (0.25%) of lead by weight.

**Series 35 and LF45 Tees**
**Type 23 Union Tees**

Package Type: Poly Bag



3523



LF4523

Model	EDP#/ UPC#	Size & Connection	Ind. Bag	Inner Ctn	Mstr Ctn	Unit Weight (lbs.)	List Price (each)
3523B-08	0650007 098268303315	3/8" x 3/8" x 3/8" CTS	1	24	120	0.08	\$5.05
3523B-10	0650008 098268303322	1/2" x 1/2" x 1/2" CTS	1	24	120	0.13	5.45
3523B-14	0650009 098268303339	3/4" x 3/4" x 3/4" CTS	1	8	40	0.22	9.15
3523B-18	0651176 098268353174	1" x 1" x 1" CTS	1	8	40	0.22	11.50
LF4523B-10	0652027 098268436822	1/2" x 1/2" x 1/2" CTS	1	12	120	0.44	11.48
LF4523B-14	0652028 098268436839	3/4" x 3/4" x 3/4" CTS	1	12	120	0.68	13.37
LF4523B-18	0652029 098268436846	1" x 1" x 1" CTS	1	6	60	0.94	21.47

**Type 24R Reducing Tees**

Package Type: Poly Bag



3524R



LF4524R

3524RB-101004	0650033 098268303742	1/2" x 1/2" x 1/4" OD	1	24	120	0.10	12.10
3524RB-141410	0650034 098268303759	3/4" x 3/4" x 1/2" CTS	1	8	40	0.15	8.25
3524RB-181814	0651177 098268353181	1" x 1" x 3/4" CTS	1	8	40	0.20	9.75
LF4524RB-141410	0652030 098268436853	3/4" x 3/4" x 1/2" CTS	1	12	120	0.64	12.89
LF4524RB-181814	0652031 098268436860	1" x 1" x 3/4" CTS	1	6	60	0.98	22.68
LF4524RB-141014	0652032 0982684368771	3/4" x 1/2" x 3/4" CTS	1	12	120	0.63	13.03
LF4524RB-181418	0652033 098268436884	1" x 3/4" x 1" CTS	1	6	60	0.96	23.96

\*The wetted surface of this product contacted by consumable water contains less than one quarter of one percent (0.25%) of lead by weight.

**Series 35 and LF45 Tees**
**Type 26 Double Reducing Tees**

Package Type: Poly Bag



LF4526

Model	EDP#/ UPC#	Size & Connection	Ind. Bag	Inner Ctn	Mstr Ctn	Unit Weight (lbs.)	List Price (each)
3526B-141010	0650949 098268320800	3/4" x 1/2" x 1/2" CTS	1	14	140	0.16	\$7.55
LF4526RB-141010	0652034 098268436891	3/4" x 1/2" x 1/2" CTS	1	12	120	0.74	12.08
LF4526RB-181414	0652035 098268436907	1" x 3/4" x 3/4" CTS	1	6	60	1.0	23.42

**Type 30 Male Thread Tees**

Package Type: Poly Bag



3530

3530B-1008	0650028 098268303698	1/2" x 1/2" x 1/2" NPT	1	24	120	0.05	4.40
------------	-------------------------	------------------------	---	----	-----	------	------

**Type 33 Stackable Tees**

Package Type: Poly Bag



3533

3533B-08	0650018 098268303445	3/8" x 3/8" x 3/8" CTS	1	24	120	0.05	4.20
3533B-10	0650019 098268303452	1/2" x 1/2" x 1/2" CTS	1	16	80	0.05	4.60
3533B-14	0650020 098268303469	3/4" x 3/4" x 3/4" CTS	1	8	40	0.15	7.25
3533B-18	0651178 098268353013	1" x 1" x 1" CTS	1	8	40	0.20	9.00

**Type 33R Reducing Stackable Tees**

Package Type: Poly Bag



3533R

3533RB-1004	0650026 098268303674	1/2" CTS x 1/4" CTS	1	16	80	0.11	10.20
3533RB-1410	0650702 098268309003	3/4" CTS x 1/2" CTS	1	8	40	0.19	9.05

**Type 34 Stackable Branch Tees**

Package Type: Poly Bag



3534

3534B-10	0650024 098268303636	1/2" x 1/2" x 1/2" CTS	1	24	120	0.05	5.70
----------	-------------------------	------------------------	---	----	-----	------	------

\*The wetted surface of this product contacted by consumable water contains less than one quarter of one percent (0.25%) of lead by weight.

**Series 35 and LF45 Elbows**
**Type 12 Stackable Hose Barb Elbows**

Package Type: Poly Bag



3512

Model	EDP#/ UPC#	Size & Connection	Ind. Bag	Inner Ctn	Mstr Ctn	Unit Weight (lbs.)	List Price (each)
3512B-1008	0650229 098268307214	1/2" CTS x 1/2" Barb	1	24	120	0.05	\$1.80

**Type 17 Union Elbows**

Package Type: Poly Bag



3517

3517B-08	0650046 098268304633	3/8" CTS	1	24	120	0.05	5.20
----------	-------------------------	----------	---	----	-----	------	------

3517B-10	0650047 098268304640	1/2" CTS	1	24	120	0.05	5.80
----------	-------------------------	----------	---	----	-----	------	------

3517B-14	0650048 098268304657	3/4" CTS	1	16	80	0.10	9.25
----------	-------------------------	----------	---	----	----	------	------

3517B-18	0650951 098268320824	1" CTS	1	10	100	0.24	10.45
----------	-------------------------	--------	---	----	-----	------	-------



LF4517

LF4517B-10	0652011 098268436655	1/2" CTS	1	12	120	0.30	8.24
------------	-------------------------	----------	---	----	-----	------	------

LF4517B-14	0652012 098268436662	3/4" CTS	1	12	120	0.50	9.99
------------	-------------------------	----------	---	----	-----	------	------

LF4517B-18	0652013 098268436679	1" CTS	1	6	60	0.80	17.75
------------	-------------------------	--------	---	---	----	------	-------

**Type 17R Reducing Union Elbow**

Package Type: Poly Bag



LF4517R

LF4517RB-1410	0652014 098268436686	3/4" x 1/2" CTS	1	12	120	0.43	9.92
---------------	-------------------------	-----------------	---	----	-----	------	------

LF4517RB-1814	0652015 098268436693	1" x 3/4" CTS	1	6	60	0.69	17.35
---------------	-------------------------	---------------	---	---	----	------	-------

**Type 18 Stackable Elbows**

Package Type: Poly Bag



3518

3518B-08	0650058 098268304787	3/8" CTS x 3/8" OD	1	24	120	0.05	3.10
----------	-------------------------	--------------------	---	----	-----	------	------

3518B-10	0650059 098268304800	1/2" CTS x 1/2" OD	1	24	120	0.05	3.55
----------	-------------------------	--------------------	---	----	-----	------	------

3518B-14	0650060 098268304817	3/4" CTS x 3/4" OD	1	16	80	0.10	5.00
----------	-------------------------	--------------------	---	----	----	------	------

3518B-18	0651174 098268353150	1" CTS x 1" OD	1	16	80	0.15	6.45
----------	-------------------------	----------------	---	----	----	------	------



LF4518

LF4518B-10	0652016 098268436709	1/2" CTS x 1/2" OD	1	12	120	0.29	7.83
------------	-------------------------	--------------------	---	----	-----	------	------

LF4518B-14	0652017 098268436716	3/4" CTS x 3/4" OD	1	12	120	0.57	11.34
------------	-------------------------	--------------------	---	----	-----	------	-------

LF4518B-18	0652018 098268436723	1" CTS x 1" OD	1	6	60	0.72	16.88
------------	-------------------------	----------------	---	---	----	------	-------

\*The wetted surface of this product contacted by consumable water contains less than one quarter of one percent (0.25%) of lead by weight.

**Series 35 and LF45 Elbows**
**Type 21 Drop Ear Elbows**

Package Type: Poly Bag



Model	EDP#/ UPC#	Size & Connection	Ind. Bag	Inner Ctn	Mstr Ctn	Unit Weight (lbs.)	List Price (each)
3521B-1008	0650065 098268304879	1/2" CTS x 1/2" NPT	1	8	40	0.10	\$5.40
LF4521B-1008	0652025 098268436808	1/2" CTS x 1/2" FPT	1	6	60	0.37	7.22


**Type 19 Male Elbows**

Package Type: Poly Bag



3519B-1006	0650160 098268306248	1/2" CTS x 3/8" NPT	1	24	120	0.07	4.10
3519B-1008	0650161 098268306255	1/2" CTS x 1/2" NPT	1	24	120	0.07	3.75
3519B-1816	0651175 098268353167	1" CTS x 1" NPT	1	16	80	0.15	6.30

**Type 20 Female Swivel Elbows**

Package Type: Poly Bag



3520B-0808	0650130 098268305920	3/8" CTS x 1/2" NPS	1	24	120	0.07	4.50
3520B-0813	0650131 098268305937	3/8" CTS x 3/4" Closet	1	24	120	0.05	6.85
3520B-1008	0650132 098268305944	1/2" CTS x 1/2" NPS	1	24	120	0.05	4.95
3520B-1012	0650133 098268305951	1/2" CTS x 3/4" NPS	1	24	120	0.12	6.15
3520B-1013	0650134 098268305975	1/2" CTS x 3/4" Closet	1	24	120	0.05	4.10
3520B-1014	0650135 098268305982	1/2" CTS x 3/4" FGHT	1	24	120	0.05	7.95

**Type 22 Union Elbow 45°**

Package Type: Poly Bag



LF4522B-10	0652019 098268436730	1/2" CTS 45°	1	12	120	0.22	8.17
LF4522B-14	0652020 098268436754	3/4" CTS 45°	1	12	120	0.43	11.48
LF4522B-18	0652021 098268436761	1" CTS 45°	1	6	60	0.58	17.08

\*The wetted surface of this product contacted by consumable water contains less than one quarter of one percent (0.25%) of lead by weight.

**Series 35 and LF45 Connectors**
**Type 01 Male Connectors**

Package Type: Poly Bag



3501



LF4501B

Model	EDP#/ UPC#	Size & Connection	Ind. Bag	Inner Ctn	Mstr Ctn	Unit Weight (lbs.)	List Price (each)
3501B-0806	0650952 098268320831	3/8" CTS x 3/8" MPT	1	15	150	0.04	\$2.60
3501B-1006	0650953 098268320848	1/2" CTS x 3/8" MPT	1	15	150	0.02	3.25
3501B-0808	0650174 098268306392	3/8" CTS x 1/2" MPT	1	24	120	0.10	3.15
3501B-1008	0650175 098268306408	1/2" CTS x 1/2" MPT	1	24	120	0.05	3.40
3501B-1012	0650176 098268306415	1/2" CTS x 3/4" MPT	1	24	120	0.05	3.90
3501B-1014	0650177 098268306422	1/2" CTS x 3/4" MGHT	1	24	120	0.07	4.10
3501B-1412	0650178 098268306439	3/4" CTS x 3/4" MPT	1	24	120	0.05	4.65
3501B-1816	0650983 098268334890	1" CTS x 1" MPT	1	24	120	0.50	4.85
LF4501B-1008	0652008 098268436624	1/2" CTS x 1/2" MPT	1	12	120	0.26	5.87
LF4501B-1812	0652009 098268436631	3/4" CTS x 3/4" MPT	1	12	120	0.34	6.95
LF4501B-1816	0652010 098268436648	1" CTS x 1" MPT	1	6	60	0.49	13.16

**Type 10 Female Connectors**

Package Type: Poly Bag



3510



LF4510

3510B-0808	0650103 098268305647	3/8" CTS x 1/2" NPS	1	24	120	0.05	4.10
3510B-1008	0650104 098268305654	1/2" CTS x 1/2" NPS	1	24	120	0.09	3.95
3510B-1012	0650105 098268305661	1/2" CTS x 3/4" NPS	1	24	120	0.10	6.15
3510B-1013	0650106 098268305678	1/2" CTS x 3/4" Closet	1	24	120	0.05	4.10
3510B-1014	0650107 098268305685	1/2" CTS x 3/4" FGHT	1	24	120	0.05	7.95
3510B-1412	0650108 098268305692	3/4" CTS x 3/4" NPS	1	24	120	0.10	7.55
3510B-1816	0651170 098268353112	1" CTS x 1" NPS	1	24	120	0.13	6.15
LF4510B-1008	0652005 098268436594	1/2" CTS x 1/2" FPT	1	12	120	0.26	5.87
LF4510B-1412	0652006 098268436600	3/4" CTS x 3/4" FPT	1	6	60	0.38	6.95
LF4510B-1816	0652007 098268436617	1" CTS x 1" FPT	1	6	60	0.53	13.16

\*The wetted surface of this product contacted by consumable water contains less than one quarter of one percent (0.25%) of lead by weight.

**Series 35 and LF45 Connectors - cont.**
**Type 11 Stackable Hose Barb Unions**

Package Type: Poly Bag

Model	EDP#/ UPC#	Size & Connection	Ind. Bag	Inner Ctn	Mstr Ctn	Unit Weight (lbs.)	List Price (each)
3511B-1008	0650227 098268307191	½" CTS x ½" Barb	1	24	120	0.04	\$1.70

**Type 13 Hose Barb Fittings**

Package Type: Poly Bag

3513B-1008	0650222 098268307139	½" CTS x ½" Barb	1	24	120	0.05	2.80
3513B-1412	0650954 098268320855	¾" CTS x ¾" Barb	1	28	280	0.05	5.55
3513B-1816	0651171 098268353129	1" CTS x 1" Barb	1	24	120	0.10	5.30



3513

**Type 14 Reducing Stems**

Package Type: Poly Bag

3514B-1008	0650151 098268306156	½" CTS x ¾" CTS	1	24	120	0.10	2.60
3514B-1410	0650152 098268306163	¾" CTS x ½" CTS	1	24	120	0.05	3.35
3514B-1810	0650768 098268309867	1" CTS x ½" CTS	1	24	120	0.07	5.70
3514B-1814	0650767 098268309850	1" CTS x ¾" CTS	1	24	120	0.10	6.30



3514

**Type 15 Union Connectors**

Package Type: Poly Bag

3515B-08	0650073 098268304992	¾" CTS	1	24	120	0.05	4.05
3515B-10	0650074 098268305005	½" CTS	1	24	120	0.05	4.65
3515B-14	0650075 098268305012	¾" CTS	1	24	120	0.15	6.10
3515B-18	0650950 098268320817	1" CTS	1	10	100	0.08	10.25
LF4515B-10	0652000 098268436549	½" CTS	1	12	120	0.21	8.03
LF4515B-14	0652001 098268436556	¾" CTS	1	12	120	0.33	8.98
LF4515B-18	0652002 098268436563	1" CTS	1	6	60	0.42	17.21



3515



LF4515

\*The wetted surface of this product contacted by consumable water contains less than one quarter of one percent (0.25%) of lead by weight.

**Series 35 and LF45 Connectors - cont.**
**Type 15R Reducing Union Connectors**

Package Type: Poly Bag

Model	EDP#/ UPC#	Size & Connection	Ind. Bag	Inner Ctn	Mstr Ctn	Unit Weight (lbs.)	List Price (each)
3515RB-1004	0650084 098268305104	1/2" CTS x 1/4" OD	1	24	120	0.08	\$9.25
3515RB-1008	0650085 098268305111	1/2" CTS x 3/8" CTS	1	24	120	0.07	4.45
3515RB-1410	0650725 098268309355	3/4" CTS x 1/2" CTS	1	24	120	0.13	5.55
3515RB-1814	0651173 098268353143	1" CTS x 3/4" CTS	1	24	120	0.14	6.05
LF4515RB-1410	0652003 098268436570	3/4" CTS x 1/2" CTS	1	12	120	0.27	8.64
LF4515RB-1814	0652004 098268436587	1" CTS x 3/4" CTS	1	6	60	0.38	21.13


**Type 27 Male Stem**

Package Type: Poly Bag

3527B-1008	0650791 098268424621	1/2" CTS x 1/2" NPT	1	24	120	0.08	1.30
------------	-------------------------	---------------------	---	----	-----	------	------

**Type 28 Female Stem**

Package Type: Poly Bag

3528B-1008	0650792 098268424638	1/2" CTS x 1/2" NPS	1	10	100	0.08	1.75
------------	-------------------------	---------------------	---	----	-----	------	------

**Series 35 and LF45 Ends**
**Type 45 End Stops**

Package Type: Poly Bag

3545B-08	0650235 098268307351	3/8" CTS	1	24	120	0.04	\$2.80
3545B-10	0650236 098268307368	1/2" CTS	1	24	120	0.07	2.80
3545B-14	0650709 098268309089	3/4" CTS	1	24	120	0.05	4.05
3545B-18	0650771 098268309898	1" CTS	1	24	120	0.05	6.35



\*The wetted surface of this product contacted by consumable water contains less than one quarter of one percent (0.25%) of lead by weight.

**Series 35 and LF45 Ends - cont.**
**Type 45 End Stops**

Package Type: Poly Bag



LF4545

Model	EDP#/ UPC#	Size & Connection	Ind. Bag	Inner Ctn	Mstr Ctn	Unit Weight (lbs.)	List Price (each)
LF4545B-10	0652036 098268436914	½" CTS	1	12	120	0.12	\$6.75
LF4545B-14	0652037 098268436921	¾" CTS	1	6	60	0.19	8.44
LF4545B-18	0652038 098268436938	1" CTS	1	6	60	0.25	17.21

**Series 35 Pump Fittings**
**Type 75 Union Pump Fittings**

Package Type: Poly Bag



3575

3575B-10	0650190 098268306552	½" CTS	1	24	120	0.05	\$3.70
----------	-------------------------	--------	---	----	-----	------	--------

**Type 76 Elbow Pump Fittings**

Package Type: Poly Bag



3576

3576B-10	0650194 098268306590	½" CTS	1	24	120	0.05	3.85
----------	-------------------------	--------	---	----	-----	------	------

**Series 35 Valves**
**Type 38 3-Way Selector Valve**

Package Type: Poly Bag



3538

3538B-10	0650262 098268308082	½" CTS	1	8	40	0.30	\$20.80
----------	-------------------------	--------	---	---	----	------	---------

**Type 39 Stop Valves**

Package Type: Poly Bag



3539

3539B-08	0650245 098268307580	¾" CTS	1	24	120	0.05	8.05
3539B-10	0650246 098268307597	½" CTS	1	16	80	0.10	8.60
3539B-14	0650789 098268310177	¾" CTS	1	16	80	0.90	11.10

**Type 39R Reducing Stop Valve**

Package Type: Poly Bag



3539R

3539RB-1004	0650251 098268307924	½" CTS x ¼" OD	1	16	80	0.10	14.85
-------------	-------------------------	----------------	---	----	----	------	-------

**Type 40 Union Check Valve**

Package Type: Poly Bag



3540

3540B-10	0650271 098268308174	½" CTS	1	24	120	0.05	4.85
----------	-------------------------	--------	---	----	-----	------	------

**Type 41 3-Way Bypass Valve**

Package Type: Poly Bag



3541

3541B-10	0650264 098268308105	½" CTS	1	8	40	0.15	21.10
----------	-------------------------	--------	---	---	----	------	-------

\*The wetted surface of this product contacted by consumable water contains less than one quarter of one percent (0.25%) of lead by weight.

**Series 35 Valves - cont.**
**Type 43 Stackable Valve**

Package Type: Poly Bag



Model	EDP#/ UPC#	Size & Connection	Ind. Bag	Inner Ctn	Mstr Ctn	Unit Weight (lbs.)	List Price (each)
3543B-10	0650255 098268307962	½" CTS	1	16	80	0.10	\$6.65

**Type 43R Reducing Stackable Valve**

Package Type: Poly Bag



3543RB-1004	0650259 098268308051	½" CTS x ¼" OD	1	16	80	0.16	11.40
-------------	-------------------------	----------------	---	----	----	------	-------

**Type 50 Tee Valves**

Package Type: Poly Bag



3550B-1008	0650712 098268309164	½" CTS x ¾" CTS	1	12	60	0.18	15.25
3550B-1004	0651188 098268357905	½" CTS x ¼" OD	1	12	60	0.10	13.25

**Type 51 Threaded Tee Valve**

Package Type: Poly Bag



3551B-0808	0650955 098268320862	½" NPS x ½" NPT x ¾" CTS	1	15	150	0.05	9.40
------------	-------------------------	-----------------------------	---	----	-----	------	------

**Type 52 Female In-Line Valves**

Package Type: Poly Bag



3552B-0806	0651204 098268433555	½" NPS x ¼" CTS	1	16	80	0.08	5.53
3552B-0808	0651205 098268433562	½" NPS x ¾" CTS	1	16	80	0.08	5.89

**Type 53 Female Angle Valves**

Package Type: Poly Bag



3553B-0608	0651206 098268433579	½" NPS x ¼" CTS	1	16	80	0.08	6.25
3553B-0808	0651207 098268433586	½" NPS x ¾" CTS	1	16	80	0.08	6.55

**Type 54 Female Angle Valve**

Package Type: Poly Bag



3554B-1408	0651208 098268433593	½" NPS x ¾" MGHT	1	16	80	0.11	7.83
------------	-------------------------	------------------	---	----	----	------	------

**Type 55 In-Line Valves**

Package Type: Poly Bag



3555B-1006	0651200 098268433517	½" CTS x ¼" CTS	1	16	80	0.08	7.30
3555B-1008	0651201 098268433524	½" CTS x ¾" CTS	1	16	80	0.08	6.82

**Type 56 Angle Valves**

Package Type: Poly Bag



3556B-1006	0651202 098268433531	½" CTS x ¼" CTS	1	16	80	0.08	7.10
3556B-1008	0651203 098268433548	½" CTS x ¾" CTS	1	16	80	0.08	6.75

\*The wetted surface of this product contacted by consumable water contains less than one quarter of one percent (0.25%) of lead by weight.

**Series 35 Valves - cont.**
**Type 57 Male Angle Valve**

Package Type: Poly Bag



Model	EDP#/ UPC#	Size & Connection	Ind. Bag	Inner Ctn	Mstr Ctn	Unit Weight (lbs.)	List Price (each)
3557B-1408	0651209 098268433609	1/2" NPT x 3/8" MGHT	1	16	80	0.10	\$7.50

**Type 58 Angle Valve**

Package Type: Poly Bag



3558B-1014	0651210 098268433616	1/2" CTS x 3/4" MGHT	1	16	80	0.08	6.08
------------	-------------------------	----------------------	---	----	----	------	------

**Type 59 Panel Mount Valves**

Package Type: Poly Bag



3559B-08	0650956 098268320879	3/8" CTS	1	15	150	0.16	9.30
3559B-10	0650957 098268320886	1/2" CTS	1	15	150	0.19	9.30

**Type 61 Adapter Stop Valves**

Package Type: Poly Bag



3561B-0604	0651211 098268433623	1/4" OD x 3/8" Male Comp x 3/8" Female Comp	1	8	40	0.16	8.14
3561B-0606	0651212 098268433630	3/8" OD x 3/8" Male Comp x 3/8" Female Comp	1	8	40	0.16	8.25

**Series 35 Miscellaneous**
**Type 159 O-Ring Assembly**

Package Type: Poly Bag



159B-08	0650963 098268321159	3/8" CTS	1	24	120	0.01	\$0.90
159B-10	0650718 098268309270	1/2" CTS	1	24	120	0.01	1.00
159B-14	0650719 098268309287	3/4" CTS	1	24	120	0.14	1.20
159B-18	0651172 098268353136	1" CTS	1	24	120	0.31	2.05

**Type 161 Cone Seals**

Package Type: Poly Bag



161B-08	0650723 098268309331	1/2" NPS	1	24	120	0.03	0.90
161B-12	0650724 098268309348	3/4" NPS/FGHT	1	24	120	0.008	1.30

\*The wetted surface of this product contacted by consumable water contains less than one quarter of one percent (0.25%) of lead by weight.

**Series 35 Miscellaneous - cont.**
**Type 162 Pipe Inserts**

Package Type: Poly Bag



162

Model	EDP#/ UPC#	Size & Connection	Ind. Bag	Inner Ctn	Mstr Ctn	Unit Weight (lbs.)	List Price (each)
162-08	0651214 098268433654	3/8" CTS	1	24	120	0.008	\$0.17
162-10	0651160 098268340716	1/2" CTS	1	24	120	0.008	0.85
162-14	0651161 098268340723	3/4" CTS	1	24	120	0.008	0.90
162-18	0651162 098268340730	1" CTS	1	24	120	0.008	0.95

**Series 35 Manifolds - Single**
**Type 89 Manifolds - Single Union Body**

Package Type: Poly Bag



3589

3589B-1810	0650764 098268309829	1" CTS x 1/2" CTS	1	6	60	0.20	\$18.75
------------	-------------------------	-------------------	---	---	----	------	---------

**Type 90 Manifolds - Single Stem Body - Right**

Package Type: Poly Bag



3590

3590B-1810	0650765 098268309836	1" CTS x 1/2" CTS	1	5	50	0.31	15.85
------------	-------------------------	-------------------	---	---	----	------	-------

**Type 91 Manifolds - Single Stem Body - Left**

Package Type: Poly Bag



3591

3591B-1810	0650766 098268309843	1" CTS x 1/2" CTS	1	5	50	0.15	15.85
------------	-------------------------	-------------------	---	---	----	------	-------

**Series 35 Manifolds - Dual**
**Type 83 Manifolds - Dual Union Body**

Package Type: Poly Bag



3583

3583B-1810	0650757 098268309751	1" CTS x 1/2" CTS	1	3	30	0.40	\$32.80
------------	-------------------------	-------------------	---	---	----	------	---------

**Type 84 Manifolds - Dual Stem Body**

Package Type: Poly Bag



3584

3584B-1810	0650758 098268309768	1" CTS x 1/2" CTS	1	2	20	0.66	27.90
------------	-------------------------	-------------------	---	---	----	------	-------

\*The wetted surface of this product contacted by consumable water contains less than one quarter of one percent (0.25%) of lead by weight.

**Series 35 Manifold Accessories**
**Type 82 Manifold Divider Plugs**

Package Type: Poly Bag



3582

Model	EDP#/ UPC#	Size & Connection	Ind. Bag	Inner Ctn	Mstr Ctn	Unit Weight (lbs.)	List Price (each)
3582B-18	0650759 098268309775	For 35 Series	1	24	120	0.04	\$3.40

**Type 85 Manifold Return Ends**

Package Type: Poly Bag



3585

3585B-18	0650760 098268309782	1" CTS	1	12	120	0.90	11.80
----------	-------------------------	--------	---	----	-----	------	-------

**Type 88 Manifold Valve Repair Kits**

Package Type: Poly Bag



3588

3588B-10	0650763 098268309812	½" Spool	1	24	120	0.07	3.75
----------	-------------------------	----------	---	----	-----	------	------

**Type 14 Reducing Stems**

Package Type: Poly Bag



3514

3514B-1810	0650768 098268309867	1" CTS x ½" CTS	1	24	120	0.07	5.70
3514B-1814	0650767 098268309850	1" CTS x ¾" CTS	1	24	120	0.10	6.30

**Type 46 End Plugs**

Package Type: Poly Bag



3546

3546B-18	0650773 098268310009	1" CTS	1	24	120	0.08	4.15
----------	-------------------------	--------	---	----	-----	------	------

\*The wetted surface of this product contacted by consumable water contains less than one quarter of one percent (0.25%) of lead by weight.



### Red, Blue and White Coils

Model	Description Size	Ordering	UPC Code	Net Content	Consumer Unit Weight (lbs.)	List Price (each)
-------	------------------	----------	----------	-------------	-----------------------------	-------------------

#### Red Coils

WPTC06-100R	3/8" x 100' coil	0650375	098268310955	100'	4	\$47.10
WPTC06-500R	3/8" x 500' coil	0650376	098268310962	500'	20	235.40
WPTC08-100R	1/2" x 100' coil	0650377	098268310979	100'	6	53.50
WPTC08-250R	1/2" x 250' coil	0651057	098268358858	250'	14	133.75
WPTC08-300R	1/2" x 300' coil	0650996	098268336160	300'	17	160.50
WPTC08-500R	1/2" x 500' coil	0650378	098268311167	500'	28	267.50
WPTC08-1000R	1/2" x 1000' coil	0650379	098268311174	1000'	55	535.00
WPTC12-100R	3/4" x 100' coil	0650380	098268311181	100'	11	93.10
WPTC12-250R	3/4" x 250' coil	0651058	098268358865	250'	26	232.75
WPTC12-300R	3/4" x 300' coil	0651000	098268337532	300'	32	280.35
WPTC12-500R	3/4" x 500' coil	0650381	098268311198	500'	53	465.45
WPTC12-1000R	3/4" x 1000' coil	0650382	098268311204	1000'	105	930.90

#### Blue Coils

WPTC06-100B	3/8" x 100' coil	0650383	098268311228	100'	4	47.10
WPTC06-500B	3/8" x 500' coil	0650384	098268311235	500'	20	235.40
WPTC08-100B	1/2" x 100' coil	0650385	098268311242	100'	6	53.50
WPTC08-250B	1/2" x 250' coil	0651055	098268358834	250'	14	133.75
WPTC08-300B	1/2" x 300' coil	0650997	098268336177	300'	17	160.50
WPTC08-500B	1/2" x 500' coil	0650386	098268311259	500'	28	267.50
WPTC08-1000B	1/2" x 1000' coil	0650387	098268311266	1000'	55	535.00
WPTC12-100B	3/4" x 100' coil	0650388	098268311273	100'	11	93.10
WPTC12-250B	3/4" x 250' coil	0651056	098268358841	250'	26	232.75
WPTC12-300B	3/4" x 300' coil	0651001	098268337655	300'	32	280.35
WPTC12-500B	3/4" x 500' coil	0650389	098268311280	500'	53	465.45
WPTC12-1000B	3/4" x 1000' coil	0650390	098268311310	1000'	105	930.90

#### White Coils

WPTC02-100W	1/8" x 100' coil	0650374	098268337280	100'	3	34.25
WPTC04-100W	1/4" x 100' coil	0650391	098268311327	100'	3	46.00
WPTC06-100W	3/8" x 100' coil	0650392	098268311334	100'	4	47.10
WPTC06-500W	3/8" x 500' coil	0650393	098268311341	500'	20	235.40
WPTC08-100W	1/2" x 100' coil	0650394	098268311358	100'	6	53.50
WPTC08-250W	1/2" x 250' coil	0651035	098268351989	250'	14	133.75
WPTC08-300W	1/2" x 300' coil	0650998	098268336184	300'	17	160.50
WPTC08-500W	1/2" x 500' coil	0650395	098268311365	500'	28	267.50
WPTC08-1000W	1/2" x 1000' coil	0650396	098268311372	1000'	55	535.00
WPTC12-100W	3/4" x 100' coil	0650397	098268311389	100'	11	93.10
WPTC12-250W	3/4" x 250' coil	0651036	098268351729	250'	26	232.75
WPTC12-300W	3/4" x 300' coil	0651002	098268337549	300'	32	280.35
WPTC12-500W	3/4" x 500' coil	0650398	098268311396	500'	53	465.45
WPTC12-1000W	3/4" x 1000' coil	0650399	098268311402	1000'	105	930.90
WPTC16-100W	1" x 100' coil	0650400	098268311419	100'	17	164.80
WPTC16-300W	1" x 300' coil	0651024	098268351934	300'	50	411.95
WPTC16-500W	1" x 500' coil	0650401	098268311426	500'	84	823.90
WPTC20-100W	1 1/4" x 100' coil	0650402	098268311440	100'	25	271.80
WPTC20-300W	1 1/4" x 300' coil	0650403	098268311457	300'	76	815.35
WPTC24-100W	1 1/2" x 100' coil	0651090	098268311744	100'	35.4	591.84
WPTC24-300W	1 1/2" x 300' coil	0651091	098268311751	300'	106.2	1,775.54
WPTC28-100W	2" x 100' coil	0651092	098268311768	100'	60	832.62



Red and blue WaterPEX® tubing, in both coils and sticks.



White WaterPEX®

\*The wetted surface of this product contacted by consumable water contains less than one quarter of one percent (0.25%) of lead by weight. Net Content = Quantity of individual pieces or feet contained in the consumer unit.

**Red, Blue and White 20' Sticks**

Model	Description Size	Ordering	UPC Code	Net Content	Consumer Unit Weight (lbs.)	List Price (each)
<b>Red Sticks</b>						
WPTS08-50R	½" x 20' Sticks	0650404	098268311464	50 Sticks	43	\$535.00
WPTS12-25R	¾" x 20' Sticks	0650405	098268311471	25 Sticks	33	465.45
WPTS12-10R	¾" x 20' Sticks	0651029	098268351927	10 Sticks	21	187.25
<b>Blue Sticks</b>						
WPTS08-50B	½" x 20' Sticks	0650406	098268311501	50 Sticks	43	535.00
WPTS12-25B	¾" x 20' Sticks	0650407	098268311518	25 Sticks	33	465.45
WPTS08-25B	½" x 20' Sticks	0651025	098268351941	25 Sticks	28	267.50
WPTS12-10B	¾" x 20' Sticks	0651028	098268351972	10 Sticks	21	187.25
<b>White Sticks</b>						
WPTS08-50W	½" x 20' Sticks	0650408	098268311525	50 Sticks	43	535.00
WPTS12-25W	¾" x 20' Sticks	0650409	098268311532	25 Sticks	33	465.45
WPTS12-10W	¾" x 20' Sticks	0651027	098268351965	10 Sticks	21	187.25
WPTS16-5W	1" x 20' Sticks	0650410	098268311549	5 Sticks	18	164.80
WPTS20-5W	1¼" x 20' Sticks	0650411	098268311556	5 Sticks	28	271.80
WPTS24-5W	1½" x 20' Sticks	0651093	098268479775	5 Sticks	35.4	591.84
WPTS28-5W	2" x 20' Sticks	0651094	098268479836	5 Sticks	60	832.62


**10' Sticks - Fast Packs**

Model	Description Size	Ordering	UPC Code	Net Content	Consumer Unit Weight (lbs.)	List Price (each)
<b>Red Sticks</b>						
WPF08-50R	½" x 10' Sticks	0651010	098268340518	50 Sticks	28	275.55
WPF12-25R	¾" x 10' Sticks	0651011	098268340525	25 Sticks	26	239.75
<b>Blue Sticks</b>						
WPF08-50B	½" x 10' Sticks	0651012	098268340532	50 Sticks	28	275.20
WPF12-25B	¾" x 10' Sticks	0651013	098268340549	25 Sticks	26	239.75
<b>White Sticks</b>						
WPF08-50W	½" x 10' Sticks	0651014	098268340556	50 Sticks	28	275.20
WPF12-25W	¾" x 10' Sticks	0651015	098268340624	25 Sticks	26	239.75

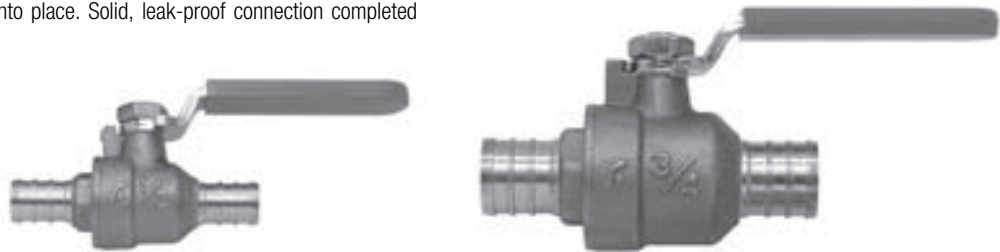

**Stud Reel with Tubing**

Model	Description Size	Ordering	UPC Code	Net Content	Consumer Unit Weight (lbs.)	List Price (each)
<b>Red</b>						
WPSR06-500R	¾" x 500' Stud Reel	0651018	098268344073	500'	30	263.65
WPSR08-300R	½" x 300' Stud Reel	0651020	098268344103	300'	24	179.75
<b>Blue</b>						
WPSR06-500B	¾" x 500' Stud Reel	0651017	098268344066	500'	30	263.65
WPSR08-300B	½" x 300' Stud Reel	0651019	098268344080	300'	24	179.75
<b>White</b>						
WPSR08-300W	½" x 300' Stud Reel	0651042	098268358780	300'	24	179.75
WPSR06-500W	¾" x 500' Stud Reel	0651043	098268358797	500'	30	263.65

\*The wetted surface of this product contacted by consumable water contains less than one quarter of one percent (0.25%) of lead by weight.  
 Net Content = Quantity of individual pieces or feet contained in the consumer unit.

**Ball Valves**
**In-line Crimp x Crimp Full Port Ball Valves**

No soldering, no threading, and no waiting. Just slip a length of WaterPEX® pipe over the barbs, and crimp into place. Solid, leak-proof connection completed in a matter of seconds.



Model	Description Size	Ordering Code	UPC	Net Content	Consumer Unit Weight (lbs.)	Case Qty	Case Weight (lbs.)	List Price (each)
LFWPBV-08	1/2" CF x 1/2" CF	0653000	098268441123	1	1.0	40	40	\$8.64
LFWPBV-12	3/4" CF x 3/4" CF	0653001	098268441130	1	1.0	40	40	13.97
LFWPBV-16	1" CF x 1" CF	0653002	098268441147	1	1.0	24	24	25.38

**In-line Crimp x Crimp Full Port Ball Valves with Waste Drain**

This valve is the same as the Crimp x Crimp full port ball valve, but it includes a waste drain for draining with the valve in the closed position.

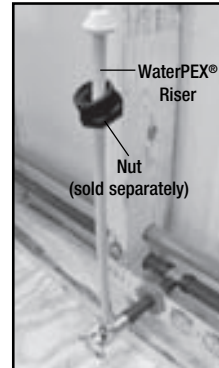


Watts Model	Description/Size	Ordering Code	UPC	Net Content	Consumer Unit Weight (lbs)	Case Qty	Case Weight (lbs)	List Price (each)
LFWPBVD-08	1/2" CF x 1/2" CF with Waste Drain	0653003	098268441154	1	1.0	40	40	\$15.93
LFWPBVD-12	3/4" CF x 3/4" CF with Waste Drain	0653004	098268441161	1	1.0	40	40	24.91

\*The wetted surface of this product contacted by consumable water contains less than one quarter of one percent (0.25%) of lead by weight.  
Net Content = Quantity of individual pieces or feet contained in the consumer unit.

**Supply Lines and Fittings**
**WaterPEX® Risers — Faucet and Water Closet**

Install 3/8" O.D. WaterPEX® risers between the faucet or toilet connection and the compression side of a 1/4-turn straight or angle stop. Risers come complete with plastic Compression Ferrule. Order separately, Faucet Nut for Faucet Risers and Water Closet Nut for Water Closet Risers (below).



Watts Model	Description/Size	Ordering Code	UPC	Net Content	Consumer Unit Weight (lbs)	Case Qty	Case Weight (lbs)	List Price (each)
WPFR06-12	3/8" OD x 12" Faucet Riser	0650843	098268316933	100	3.0	—	—	\$98.25
WPFR06-20	3/8" OD x 20" Faucet Riser	0650844	098268316940	100	6.0	—	—	106.30
WPTR06-12	3/8" OD x 12" Water Closet Riser	0650845	098268316957	100	3.0	—	—	98.25
WPTR06-20	3/8" OD x 20" Water Closet Riser	0650846	098268316964	100	5.0	—	—	106.30
WPTR06-30	3/8" OD x 30" Water Closet Riser	0650847	098268316971	100	8.0	—	—	161.80

**WaterPEX® Riser Nuts**

(Not wetted surface products)



Watts Model	Description/Size	Ordering Code	UPC	Net Content	Consumer Unit Weight (lbs)	Case Qty	Case Weight (lbs)	List Price (each)
-------------	------------------	---------------	-----	-------------	----------------------------	----------	-------------------	-------------------

**PolyBag**

WPRN-FPB	Plastic Faucet Riser Nut	0650848	098268316988	10	0.2	10	2	\$4.75
WPRN-TPB	Plastic Water Closet Riser Nut	0650849	098268316995	10	0.3	10	3	5.65
WPPF-0406PB	Plastic Ferrule 1/4" - 3/8" OD	0650850	098268317022	10	0.1	10	1	2.00

**Bulk**

WPRN-F	Plastic Faucet Riser Nut	0650851	098268317039	100	2.0	—	—	45.05
WPRN-T	Plastic Water Closet Riser Nut	0650852	098268317046	100	3.0	—	—	54.30
WPPF-0406	Plastic Ferrule 1/4" - 3/8" OD	0650853	098268317053	100	1.0	—	—	18.50

\*The wetted surface of this product contacted by consumable water contains less than one quarter of one percent (0.25%) of lead by weight.  
Net Content = Quantity of individual pieces or feet contained in the consumer unit.

**CrimpRing™ x Threaded Adapter**

Thread adapters into the appropriate NPT fitting.

 Crimp x FPT  
Threaded Adapter

 Crimp x MPT  
Threaded Adapter


Watts Model	Description/Size	Ordering Code	UPC	Net Content	Consumer Unit Weight (lbs)	Case Qty	Case Weight (lbs)	List Price (each)
-------------	------------------	---------------	-----	-------------	----------------------------	----------	-------------------	-------------------

**PolyBag**

LFWP12B-0608PB	3/8" CF x 1/2" MPT	0653023	098268441352	10	0.9	10	9	\$31.54
LFWP12B-0808PB	1/2" CF x 1/2" MPT	0653024	098268441369	10	1.1	10	11	31.54
LFWP12B-0812PB	1/2" CF x 3/4" MPT	0653025	098268441376	10	1.3	10	13	44.95
LFWP12B-1208PB	3/4" CF x 1/2" MPT	0653026	098268441383	10	1.1	10	11	39.44
LFWP12B-1212PB	3/4" CF x 3/4" MPT	0653027	098268441390	10	1.4	10	14	47.71
LFWP12B-1216PB	3/4" CF x 1" MPT	0653028	098268441406	2	1.4	10	14	12.62
LFWP12B-1612PB	1" CF x 3/4" MPT	0653029	098268441413	3	0.5	10	19	18.49
LFWP12B-1616PB	1" CF x 1" MPT	0653030	098268441420	3	2.4	10	24	19.89
LFWP12B-2016PB	1 1/4" CF x 1" MPT	0653031	098268441437	3	2.6	10	26	70.62
LFWP13B-0808PB	1/2" CF x 1/2" FPT	0653032	098268441444	5	1.4	10	14	19.72
LFWP13B-1212PB	3/4" CF x 3/4" FPT	0653033	098268441451	5	1.0	20	19	21.46
LFWP13B-1616PB	1" CF x 1" FPT	0653162	098268442748	10	2.8	4	11	58.00

**Bulk**

LFWP12B-0608	3/8" CF x 1/2" MPT	0653034	098268441468	100	9.4	-	-	299.43
LFWP12B-0808	1/2" CF x 1/2" MPT	0653035	098268441475	100	11.0	-	-	299.43
LFWP12B-0812	1/2" CF x 3/4" MPT	0653036	098268441482	100	13.0	-	-	426.04
LFWP12B-1212	3/4" CF x 3/4" MPT	0653038	098268441505	100	14.0	-	-	453.36
LFWP12B-1216	3/4" CF x 1" MPT	0653039	098268441512	50	15.0	-	-	316.97
LFWP12B-1612	1" CF x 3/4" MPT	0653040	098268441529	100	19.0	-	-	583.99
LFWP12B-1616	1" CF x 1" MPT	0653041	098268441536	100	16.0	-	-	630.43
LFWP12B-2016	1 1/4" CF x 1" MPT	0653042	098268441543	100	26.0	-	-	2,233.29
LFWP13B-0808	1/2" CF x 1/2" FPT	0653043	098268441550	100	14.0	-	-	377.15
LFWP13B-1212	3/4" CF x 3/4" FPT	0653044	098268441567	100	19.0	-	-	408.18
LFWP12B-2020	1 1/4" CF x 1 1/4" MPT	0653154	098268442663	100	45.0	-	-	2,641.90
LFWP13B-1616	1" CF x 1" FPT	0653169	098268442816	100	26.0	-	-	504.09

\*The wetted surface of this product contacted by consumable water contains less than one quarter of one percent (0.25%) of lead by weight.  
Net Content = Quantity of individual pieces or feet contained in the consumer unit.

**CrimpRing™ Sweat Adapters**

Sweat adapters onto a copper pipe to transition to WaterPEX® supply lines.



Watts Model	Description/Size	Ordering Code	UPC	Net Content	Consumer Unit Weight (lbs)	Case Qty	Case Weight (lbs)	List Price (each)
-------------	------------------	---------------	-----	-------------	----------------------------	----------	-------------------	-------------------

**PolyBag**

LFWP10B-0806PB	1/2" MS x 3/8" CF	0653005	098268441178	10	.3	10	3	\$20.52
LFWP10B-0808PB	1/2" MS x 1/2" CF	0653006	098268441185	10	.5	10	5	16.17
LFWP10B-1212PB	3/4" MS x 3/4" CF	0653007	098268441192	5	.8	10	8	14.86
LFWP10B-1616PB	1" MS x 1" CF	0653008	098268441208	5	.8	10	8	40.53
LFWP10B-1620PB	1" MS x 1 1/4" CF	0653009	098268441215	5	1.4	10	14	98.31
LFWP10B-2020PB	1 1/4" MS x 1 1/4" CF	0653151	098268442632	5	0.9	10	9	136.08
LFWP11B-0808PB	1/2" FS x 1/2" CF"	0653010	098268441222	10	.4	10	4	16.68
LFWP11B-0812PB	1/2" FS x 3/4" CF	0653168	098268442809	10	1.4	10	14	24.51
LFWP11B-1212PB	3/4" FS x 3/4" CF	0653011	098268441239	10	1.2	10	12	27.91
LFWP11B-1616PB	1" FS x 1" CF	0653012	098268441246	5	1.4	10	14	29.94
LFWP11B-1620PB	1" FS x 1 1/4" CF	0653013	098268441253	5	1.7	10	17	99.98
LFWP11B-2020PB	1 1/4" FS x 1 1/4" CF	0653159	098268442717	10	2.0	5	10	98.17

**Bulk**

LFWP10B-0806	1/2" MS x 3/8" CF	0653014	098268441260	100	3.0	-	-	195.03
LFWP10B-0808	1/2" MS x 1/2" CF	0653015	098268441277	100	5.0	-	-	153.99
LFWP10B-1212	3/4" MS x 3/4" CF	0653016	098268441284	100	8.0	-	-	280.14
LFWP10B-1616	1" MS x 1" CF	0653017	098268441291	100	8.0	-	-	772.05
LFWP10B-1620	1" MS x 1 1/4" CF	0653018	098268441307	100	14	-	-	1,867.24
LFWP10B-2020	1 1/4" MS x 1 1/4" CF	0653152	098268442649	100	18.0	-	-	2,515.82
LFWP11B-0808	1/2" FS x 1/2" CF	0653019	098268441314	100	4.0	-	-	158.49
LFWP11B-1212	3/4" FS x 3/4" CF	0653020	098268441321	100	12	-	-	265.35
LFWP11B-1616	1" FS x 1" CF	0653021	098268441338	100	14	-	-	607.77
LFWP11B-1620	1" FS x 1 1/4" CF	0653022	098268441345	100	17	-	-	1,903.85

\*The wetted surface of this product contacted by consumable water contains less than one quarter of one percent (0.25%) of lead by weight.  
Net Content = Quantity of individual pieces or feet contained in the consumer unit.

### PEX CrimpRing™ Couplings

For making field repairs or continuing a run. Order CrimpRings™ separately.



PEX x PEX

Watts Model	Description/Size	Ordering Code	UPC	Net Content	Consumer Unit Weight (lbs)	Case Qty	Case Weight (lbs)	List Price (each)
<b>PolyBag</b>								
LFWP15B-0606PB	3/8" CF x 3/8" CF	0653045	098268441574	10	0.2	10	2	\$15.23
LFWP15B-0806PB	1/2" CF x 3/8" CF	0653046	098268441581	10	0.3	10	3	16.75
LFWP15B-0808PB	1/2" CF x 1/2" CF	0653047	098268441598	10	0.3	10	3	12.98
LFWP15B-1208PB	3/4" CF x 1/2" CF	0653048	098268441604	10	0.5	10	5	22.40
LFWP15B-1212PB	3/4" CF x 3/4" CF	0653049	098268441611	10	.5	10	5	15.66
LFWP15B-1612PB	1" CF x 3/4" CF	0653050	098268441628	10	1.0	10	10	30.60
LFWP15B-1616PB	1" CF x 1" CF	0653051	098268441635	20	1.8	5	9	59.16
LFWP15B-2020PB	1 1/4" CF x 1 1/4" CF	0653052	098268441642	10	1.3	10	13	267.09
LFWP15B-1620PB	1" CF x 1 1/4" CF	0653053	098268441659	10	1.3	10	13	254.77

### Bulk

LFWP15B-0606	3/8" CF x 3/8" CF	0653054	098268441666	100	2.0	-	-	143.55
LFWP15B-0806	1/2" CF x 3/8" CF	0653055	098268441673	100	3.0	-	-	159.28
LFWP15B-0808	1/2" CF x 1/2" CF	0653056	098268441680	100	3.0	-	-	122.31
LFWP15B-1208	3/4" CF x 1/2" CF	0653057	098268441697	100	5.0	-	-	212.35
LFWP15B-1212PB	3/4" CF x 3/4" CF	0653058	098268441703	100	5.0	-	-	148.77
LFWP15B-1612	1" CF x 3/4" CF	0653059	098268441710	100	6.0	-	-	291.09
LFWP15B-1616	1" CF x 1" CF	0653060	098268441727	100	9.0	-	-	562.02
LFWP15B-2020	1 1/4" CF x 1 1/4" CF	0653061	098268441734	100	13.0	-	-	2,537.21
LFWP15B-1620	1" CF x 1 1/4" CF	0653062	098268441741	100	13.0	-	-	2,416.35

### PEX x PEX CrimpRing™ Coupling Kits

For making WaterPEX® repairs in the field. Each kit contains 4 copper CrimpRings™ and 2 brass couplings.



PEX x PEX

Watts Model	Description/Size	Ordering Code	UPC	Net Content	Consumer Unit Weight (lbs)	Case Qty	Case Weight (lbs)	List Price (each)
LFWP16B-06	3/8" Coupling Kit	0653063	098268441758	1	.5	10	5	\$66.70
LFWP16B-08	1/2" Coupling Kit	0653064	098268441765	2	.5	10	5	65.25
LFWP16B-12	3/4" Coupling Kit	0653065	098268441772	3	.5	10	5	84.10
LFWP16B-16	1" Coupling Kit	0653066	098268441789	4	.5	10	5	160.08
LFWP16B-20	1 1/4" Coupling Kit	0653067	098268441796	5	.5	10	5	693.68

\*The wetted surface of this product contacted by consumable water contains less than one quarter of one percent (0.25%) of lead by weight.  
Net Content = Quantity of individual pieces or feet contained in the consumer unit.

**CrimpRing™ Tees  
(Run x Run X Branch)**

Used for making directional changes in potable systems.



Watts Model	Description/Size	Ordering Code	UPC	Net Content	Consumer Unit Weight (lbs)	Case Qty	Case Weight (lbs)	List Price (each)
<b>PolyBag</b>								
FWP18B-06PB	3/8" CF x 3/8" CF x 3/8" CF	0653068	098268441802	10	.7	10	7	\$31.03
FWP18B-080806PB	1/2" CF x 1/2" CF x 3/8" CF	0653069	098268441819	10	0.6	10	6	37.99
FWP18B-080608PB	1/2" CF x 3/8" CF x 1/2" CF	0653070	098268441826	10	0.8	10	8	40.02
FWP18B-080606PB	1/2" CF x 3/8" CF x 3/8" CF	0653071	098268441833	10	0.8	10	8	40.02
FWP18B-08PB	1/2" CF x 1/2" CF x 1/8" CF	0653072	098268441840	10	0.8	10	8	25.59
FWP18B-080812PB	1/2" CF x 1/2" CF x 3/4" CF	0653073	098268441857	10	0.8	10	8	35.67
FWP18B-120808PB	3/4" CF x 1/2" CF x 1/2" CF	0653074	098268441864	10	0.9	10	9	36.40
FWP18B-120812PB	3/4" CF x 1/2" CF x 3/4" CF	0653075	098268441871	10	1.1	10	11	38.14
FWP18B-121206PB	3/4" CF x 3/4" CF x 3/8" CF	0653076	098268441888	10	0.8	10	8	50.10
FWP18B-121208PB	3/4" CF x 3/4" CF x 1/8" CF	0653077	098268441895	10	1.1	10	11	38.72
FWP18B-12PB	3/4" CF x 3/4" CF x 3/4" CF	0653078	098268441901	10	1.3	10	13	34.95
FWP18B-121216PB	3/4" CF x 3/4" CF x 1" CF	0653079	098268441918	10	2.4	5	12	84.03
FWP18B-161212PB	1" CF x 3/4" CF x 3/4" CF	0653080	098268441925	10	2.6	5	13	84.03
FWP18B-161608PB	1" CF x 1" CF x 1/2" CF	0653081	098268441932	10	2.8	5	14	83.09
FWP18B-161612PB	1" CF x 1" CF x 3/4" CF	0653082	098268441949	10	3.0	5	15	79.97
FWP18B-16PB	1" CF x 1" CF x 1" CF	0653083	098268441956	10	3.2	5	16	81.20
FWP18B-202016PB	1 1/4" CF x 1 1/4" CF x 1" CF	0653156	098268442687	10	3.4	5	17	330.89
FWP18B-20PB	1 1/4" CF x 1 1/4" CF x 1 1/4" CF	0653157	098268442694	10	3.4	5	17	330.89

**Bulk**

FWP18B-06	3/8" CF x 3/8" CF x 3/8" CF	0653084	098268441963	100	7.0	-	-	294.79
FWP18B-080806	1/2" CF x 1/2" CF x 3/8" CF	0653085	098268441970	100	6.0	-	-	360.54
FWP18B-080608	1/2" CF x 3/8" CF x 1/2" CF	0653086	098268441987	100	8.0	-	-	380.77
FWP18B-080606	1/2" CF x 3/8" CF x 3/8" CF	0653087	098268441994	100	8.0	-	-	380.77
FWP18B-08	1/2" CF x 1/2" CF x 1/2" CF	0653088	098268442007	100	8.0	-	-	242.95
FWP18B-080812	1/2" CF x 1/2" CF x 3/4" CF	0653089	098268442014	100	8.0	-	-	339.52
FWP18B-120808	3/4" CF x 1/2" CF x 1/2" CF	0653090	098268442021	100	9.0	-	-	345.97
FWP18B-120812	3/4" CF x 1/2" CF x 3/4" CF	0653091	098268442038	100	11.0	-	-	362.43
FWP18B-121206	3/4" CF x 3/4" CF x 3/8" CF	0653092	098268442045	100	8.0	-	-	475.89
FWP18B-121208	3/4" CF x 3/4" CF x 1/2" CF	0653093	098268442052	100	11.0	-	-	368.01
FWP18B-12	3/4" CF x 3/4" CF x 3/4" CF	0653094	098268442069	100	13.0	-	-	331.91
FWP18B-121216	3/4" CF x 3/4" CF x 1" CF	0653095	098268442076	100	24.0	-	-	798.15
FWP18B-161212	1" CF x 3/4" CF x 3/4" CF	0653096	098268442083	100	26.0	-	-	798.15
FWP18B-161608	1" CF x 1" CF x 1/2" CF	0653097	098268442090	100	27.0	-	-	789.02
FWP18B-161612	1" CF x 1" CF x 3/4" CF	0653098	098268442106	100	30.0	-	-	759.66
FWP18B-16	1" CF x 1" CF x 1" CF	0653099	098268442113	100	31.0	-	-	771.62

\*The wetted surface of this product contacted by consumable water contains less than one quarter of one percent (0.25%) of lead by weight.  
Net Content = Quantity of individual pieces or feet contained in the consumer unit.

**CrimpRing™ Elbows - Crimp x Crimp**

Used to make a 90° change between WaterPEX®.



Watts Model	Description/Size	Ordering Code	UPC	Net Content	Consumer Unit Weight (lbs)	Case Qty	Case Weight (lbs)	List Price (each)
-------------	------------------	---------------	-----	-------------	----------------------------	----------	-------------------	-------------------

**PolyBag**

LFWP19B-06PB	3/8" CF x 3/8" CF	0653100	098268442120	10	0.35	10	3.5	\$22.98
LFWP19B-08PB	1/2" CF x 1/2" CF	0653101	098268442137	10	0.47	10	4.7	19.58
LFWP19B-1208PB	3/4" CF x 1/2" CF	0653102	098268442144	10	.22	10	2.2	36.40
LFWP19B-1212PB	3/4" CF x 3/4" CF	0653103	098268442151	10	.22	10	2.2	26.25
LFWP19B-16PB	1" CF x 1" CF	0653104	098268442168	10	-	10	-	66.77
LFWP19B-20PB	1 1/4" CF x 1 1/4" CF	0653158	098268442700	10	3.4	5	17	264.77

**Bulk**

LFWP19B-06	3/8" CF x 3/8" CF	0653105	098268442175	100	3.0	-	-	217.86
LFWP19B-08	1/2" CF x 1/2" CF	0653106	098268442182	100	4.0	-	-	186.54
LFWP19B-1208	3/4" CF x 1/2" CF	0653107	098268442199	100	20.0	-	-	345.97
LFWP19B-1212	3/4" CF x 3/4" CF	0653108	098268442205	100	8.0	-	-	249.76
LFWP19B-16	1" CF x 1" CF	0653109	098268442212	100	18.0	-	-	634.74

**Elbows - Crimp x MPT**

Used to make a 90° change between WaterPEX® and threaded pipe.



Watts Model	Description/Size	Ordering Code	UPC	Net Content	Consumer Unit Weight (lbs)	Case Qty	Case Weight (lbs)	List Price (each)
-------------	------------------	---------------	-----	-------------	----------------------------	----------	-------------------	-------------------

**PolyBag**

LFWP20B-0806PB	1/2" CF x 1/2" MPT	0653110	098268442229	10	1.4	10	14	\$67.14
LFWP20B-0808PB	1/2" CF x 3/8" MPT	0653111	098268442236	10	2.6	10	26	79.24

**Bulk**

LFWP20B-0808	1/2" CF x 1/2" CF	0653115	098268442274	100	26	-	-	752.77
--------------	-------------------	---------	--------------	-----	----	---	---	--------

**CrimpRing™ x Sweat Elbows**

Use these elbows when making tight turns.



Watts Model	Description/Size	Ordering Code	UPC	Net Content	Consumer Unit Weight (lbs)	Case Qty	Case Weight (lbs)	List Price (each)
-------------	------------------	---------------	-----	-------------	----------------------------	----------	-------------------	-------------------

**PolyBag**

LFWP21B-08PB	1/2" CF x 1/2" FS	0653163	098268442755	10	1.0	10	10	\$81.35
LFWP21B-0812PB	1/2" CF x 3/4" FS	0653118	098268442304	10	1.2	10	12	105.13
LFWP21B-12PB	3/4" CF x 3/4" FS	0653119	098268442311	10	1.6	10	16	112.23

**Bulk**

LFWP21B-08	1/2" CF x 1/2" FS	0653164	098268442762	100	10.0	-	-	788.37
LFWP21B-0812	1/2" CF x 3/4" FS	0653120	098268442328	100	12.0	-	-	999.20
LFWP21B-12	3/4" CF x 3/4" FS	0653121	098268442335	100	16.0	-	-	1,065.03

\*The wetted surface of this product contacted by consumable water contains less than one quarter of one percent (0.25%) of lead by weight.  
Net Content = Quantity of individual pieces or feet contained in the consumer unit.

### Drop Ear Elbows

For making 90° change between WaterPEX® and threaded pipe.



Watts Model	Description/Size	Ordering Code	UPC	Net Content	Consumer Unit Weight (lbs)	Case Qty	Case Weight (lbs)	List Price (each)
-------------	------------------	---------------	-----	-------------	----------------------------	----------	-------------------	-------------------

#### PolyBag

LFWP22B-0608PB	3/8" CF x 1/2" FPT - 2 eared	0653122	098268442342	10	1.8	10	18	\$104.04
LFWP22B-08PB	1/2" CF x 1/2" FPT - 2 eared	0653123	098268442359	10	1.7	10	17	85.84
LFWP23B-08PB	1/2" CF x 1/2" FPT - 3 eared	0653124	098268442366	10	1.7	10	17	96.35
LFWP22B-1208PB	3/4" CF x 1/2" FPT - 2 eared	0653125	098268442373	10	1.8	5	18	143.70
LFWP22B-12PB	3/4" CF x 3/4" FPT - 2 eared	0653126	098268442380	10	1.8			128.54

#### Bulk

LFWP22B-0608	3/8" CF x 1/2" FPT - 2 eared	0653127	098268442397	100	18.0	-	-	1,030.88
LFWP22B-08	1/2" CF x 1/2" FPT - 2 eared	0653128	098268442403	100	17.0	-	-	818.96
LFWP23B-08	1/2" CF x 1/2" FPT - 3 eared	0653129	098268442410	100	17.0	-	-	953.88
LFWP22B-1208	3/4" CF x 1/2" FPT - 2 eared	0653130	098268442427	100	35.0	-	-	1,368.15
LFWP22B-12	3/4" CF x 3/4" FPT - 2 eared	0653131	098268442434	100	35.0	-	-	1,223.58

### CrimpRing™ Test Plugs

Used for pressure testing the system.



Watts Model	Description/Size	Ordering Code	UPC	Net Content	Consumer Unit Weight (lbs)	Case Qty	Case Weight (lbs)	List Price (each)
-------------	------------------	---------------	-----	-------------	----------------------------	----------	-------------------	-------------------

#### PolyBag

LFWP24B-06PB	3/8" CF	0653132	098268442441	10	0.2	10	2	\$12.98
LFWP24B-08PB	1/2" CF	0653133	098268442458	10	.3	10	3	11.82
LFWP24B-12PB	3/4" CF	0653134	098268442465	10	.6	10	6	15.95
LFWP24B-16PB	1" CF	0653135	098268442472	10	1.0	10	10	20.08

#### Bulk

LFWP24B-06	3/8" CF	0653136	098268442489	100	2.0	-	-	122.67
LFWP24B-08	1/2" CF	0653137	098268442496	100	3.0	-	-	111.72
LFWP24B-12	3/4" CF	0653138	098268442502	100	6.0	-	-	151.89
LFWP24B-16	1" CF	0653139	098268442519	100	10.0	-	-	190.39

\*The wetted surface of this product contacted by consumable water contains less than one quarter of one percent (0.25%) of lead by weight.  
Net Content = Quantity of individual pieces or feet contained in the consumer unit.

**Poly-Alloy CrimpRing™ fittings** are a perfect match for Watts WaterPEX®. These fittings are produced from an engineered thermoplastic polymer called ACUDEL. ACUDEL resin offers many improved performance characteristics that make it an excellent choice for molded components installed in the demanding environment of a hot and cold-water plumbing system.

Poly-Alloy CrimpRing™ fittings are made to ASTM F2159 and F877 standards. They have the NSF-pw rating and are certified to Canadian Standard Association B137.5.

### CrimpRing™ Couplings

For making field repairs or continuing a run. Order CrimpRings™ separately.



Watts Model	Description/Size	Ordering Code	UPC	Net Content	Consumer Unit Weight (lbs)	Case Qty	Case Weight (lbs)	List Price (each)
-------------	------------------	---------------	-----	-------------	----------------------------	----------	-------------------	-------------------

#### PolyBag

WP15P-08PB	½" CF x ½" CF	0650655	098268314915	10	0.1	10	1	\$6.15
WP15P-1208PB	¾" CF x ½" CF	0650656	098268314922	10	0.5	10	5	9.05
WP15P-12PB	¾" CF x ¾" CF	0650657	098268314939	10	0.1	10	1	8.30
WP15P-1612PB	1" CF x ¾" CF	0650658	098268314946	10	0.2	10	2	13.70
WP15P-16PB	1" CF x 1" CF	0650659	098268314953	10	0.2	10	2	14.60

#### Bulk

WP15P-08	½" CF x ½" CF	0650660	098268314960	100	1.0	–	–	58.30
WP15P-1208	¾" CF x ½" CF	0650661	098268314977	100	5.0	–	–	86.40
WP15P-12	¾" CF x ¾" CF	0650662	098268314984	100	1.0	–	–	78.85
WP15P-1612	1" CF x ¾" CF	0650663	098268314991	100	2.0	–	–	130.70
WP15P-16	1" CF x 1" CF	0650664	098268315080	100	2.0	–	–	138.25

### CrimpRing™ Elbows

Used to make a 90° change between WaterPEX®.



Watts Model	Description/Size	Ordering Code	UPC	Net Content	Consumer Unit Weight (lbs)	Case Qty	Case Weight (lbs)	List Price (each)
-------------	------------------	---------------	-----	-------------	----------------------------	----------	-------------------	-------------------

#### PolyBag

WP19P-08PB	½" CF x ½" CF	0650665	098268315103	10	0.1	10	1	\$8.10
WP19P-1208PB	¾" CF x ½" CF	0650666	098268315110	10	0.2	10	2	11.35
WP19P-1212PB	¾" CF x ¾" CF	0650667	098268315127	10	0.2	10	2	12.00
WP19P-16PB	1" CF x 1" CF	0650668	098268315141	10	0.5	10	5	33.90

#### Bulk

WP19P-08	½" CF x ½" CF	0650669	098268315158	100	1.0	–	–	76.70
WP19P-1208	¾" CF x ½" CF	0650670	098268315165	100	2.0	–	–	108.00
WP19P-1212	¾" CF x ¾" CF	0650671	098268315172	100	2.0	–	–	113.40
WP19P-16	1" CF x 1" CF	0650672	098268315189	100	5.0	–	–	321.85

\*The wetted surface of this product contacted by consumable water contains less than one quarter of one percent (0.25%) of lead by weight.  
Net Content = Quantity of individual pieces or feet contained in the consumer unit.

**CrimpRing™ x MPT Adapter**

Thread adapters into the appropriate NPT fitting.



Watts Model	Description/Size	Ordering Code	UPC	Net Content	Consumer Unit Weight (lbs)	Case Qty	Case Weight (lbs)	List Price (each)
-------------	------------------	---------------	-----	-------------	----------------------------	----------	-------------------	-------------------

**PolyBag**

WP12P-08PB	1/2" CF x 1/2" MPT	0650673	098268315196	10	0.2	10	2	\$9.30
WP12P-0812PB	1/2" CF x 3/4" MPT	0650674	098268315202	10	0.2	10	2	10.90
WP12P-12PB	3/4" CF x 3/4" MPT	0650675	098268315219	10	0.2	10	2	12.00

**Bulk**

WP12P-08	1/2" CF x 1/2" MPT	0650676	098268315226	100	2.0	-	-	88.55
WP12P-0812	1/2" CF x 3/4" MPT	0650677	098268315233	100	2.0	-	-	103.70
WP12P-12	3/4" CF x 3/4" MPT	0650678	098268315240	100	2.0	-	-	113.40

**CrimpRing™ x MPT Elbow**

Used to make a 90° change between WaterPEX® and threaded pipe.



Watts Model	Description/Size	Ordering Code	UPC	Net Content	Consumer Unit Weight (lbs)	Case Qty	Case Weight (lbs)	List Price (each)
-------------	------------------	---------------	-----	-------------	----------------------------	----------	-------------------	-------------------

**PolyBag**

WP20P-08PB	1/2" CF x 1/2" MPT	0650679	098268315257	10	0.2	10	2	\$11.10
WP20P-1208PB	3/4" CF x 1/2" MPT	0650680	098268315264	10	0.3	10	3	14.90
WP20P-1212PB	3/4" CF x 3/4" MPT	0650681	098268315271	10	0.3	10	3	16.20

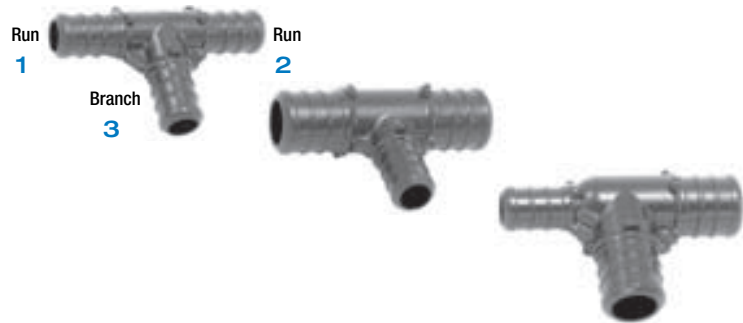
**Bulk**

WP20P-08	1/2" CF x 1/2" MPT	0650682	098268315325	100	2.0	-	-	105.85
WP20P-1208	3/4" CF x 1/2" MPT	0650683	098268315332	100	3.0	-	-	141.50
WP20P-1212	3/4" CF x 3/4" MPT	0650684	098268315349	100	3.0	-	-	153.35

\*The wetted surface of this product contacted by consumable water contains less than one quarter of one percent (0.25%) of lead by weight.  
 Net Content = Quantity of individual pieces or feet contained in the consumer unit.

**CrimpRing™ Tees  
(Run x Run x Branch)**

Used for making directional changes in potable systems.



Watts Model	Description/Size	Ordering Code	UPC	Net Content	Consumer Unit Weight (lbs)	Case Qty	Case Weight (lbs)	List Price (each)
<b>PolyBag</b>								
	<b>1 2 3</b>							
WP18P-08PB	½" CF x ½" CF x ½" CF	0650685	098268315356	10	0.2	10	2	\$9.20
WP18P-080812PB	½" CF x ½" CF x ¾" CF	0650686	098268315363	10	0.2	10	2	13.30
WP18P-12PB	¾" CF x ¾" CF x ¾" CF	0650687	098268315370	10	0.3	10	3	13.30
WP18P-121208PB	¾" CF x ¾" CF x ½" CF	0650688	098268315417	10	0.2	10	2	13.30
WP18P-120812PB	¾" CF x ½" CF x ¾" CF	0650689	098268315424	10	0.3	10	3	13.40
WP18P-120808PB	¾" CF x ½" CF x ½" CF	0650690	098268315653	10	0.2	10	2	13.40
WP18P-121216PB	¾" CF x ¾" CF x 1" CF	0650691	098268315660	10	0.4	10	4	27.00
WP18P-161608PB	1" CF x 1" CF x ½" CF	0650692	098268315677	10	0.5	10	5	28.75
WP18P-161212PB	1" CF x ¾" CF x ¾" CF	0650693	098268315684	10	0.5	10	5	33.05
WP18P-161612PB	1" CF x 1" CF x ¾" CF	0650694	098268315691	10	0.5	10	5	33.05
WP18P-16PB	1" CF x 1" CF x 1" CF	0650695	098268315707	5	0.5	10	5	34.90
<b>Bulk</b>								
	<b>1 2 3</b>							
WP18P-08	½" CF x ½" CF x ½" CF	0650696	098268315714	100	2.0	–	–	87.50
WP18P-080812	½" CF x ½" CF x ¾" CF	0650697	098268315721	100	2.0	–	–	126.35
WP18P-12	¾" CF x ¾" CF x ¾" CF	0650698	098268315738	100	3.0	–	–	126.35
WP18P-121208	¾" CF x ¾" CF x ½" CF	0650699	098268315745	100	2.0	–	–	126.35
WP18P-120812	¾" CF x ½" CF x ¾" CF	0650800	098268315752	100	3.0	–	–	127.45
WP18P-120808	¾" CF x ½" CF x ½" CF	0650801	098268315769	100	2.0	–	–	127.45
WP18P-121216	¾" CF x ¾" CF x 1" CF	0650802	098268315868	100	4.0	–	–	255.95
WP18P-161608	1" CF x 1" CF x ½" CF	0650803	098268315875	100	5.0	–	–	273.25
WP18P-161212	1" CF x ¾" CF x ¾" CF	0650804	098268315882	100	5.0	–	–	314.30
WP18P-161612	1" CF x 1" CF x ¾" CF	0650805	098268315899	100	5.0	–	–	314.30
WP18P-16	1" CF x 1" CF x 1" CF	0650806	098268315943	50	5.0	–	–	165.80

\*The wetted surface of this product contacted by consumable water contains less than one quarter of one percent (0.25%) of lead by weight.  
Net Content = Quantity of individual pieces or feet contained in the consumer unit.

### Swivel Couplings

For connecting 3/8" or 1/2" WaterPEX® supply lines directly from manifold or branch supply to faucet. (Not needed if using WaterPEX® Risers or Flexible Risers.)



Watts Model	Description/Size	Ordering Code	UPC	Net Content	Consumer Unit Weight (lbs)	Case Qty	Case Weight (lbs)	List Price (each)
-------------	------------------	---------------	-----	-------------	----------------------------	----------	-------------------	-------------------

#### PolyBag

##### Straight

WP25P-0608PB	3/8" CF x 1/2" FIP - Swivel	0650807	098268315950	25	0.8	4	3	\$41.60
WP25P-08PB	1/2" CF x 1/2" FIP - Swivel	0650808	098268315967	25	0.8	4	3	40.50
WP25P-12PB	3/4" x 3/4" FIP - Swivel	0650809	098268315981	25	1.3	4	5	46.15

##### Angle

WP26P-08PB	1/2" CF x 1/2" FIP - Swivel	0650810	098268316018	10	0.4	10	4	19.55
WP26P-12PB	3/4" CF x 3/4" FIP - Swivel	0650811	098268316025	5	0.3	10	3	10.80

#### Bulk

##### Straight

WP25P-0608	3/8" CF x 1/2" FIP - Swivel	0650812	098268316032	100	3.0	-	-	157.70
WP25P-08	1/2" CF x 1/2" FIP - Swivel	0650813	098268316049	100	3.0	-	-	153.35
WP25P-12	3/4" x 3/4" FIP - Swivel	0650814	098268316056	100	5.0	-	-	174.95

##### Angle

WP26P-08	1/2" CF x 1/2" FIP - Swivel	0650815	098268316063	100	4.0	-	-	185.75
WP26P-12	3/4" CF x 3/4" FIP - Swivel	0650816	098268316087	50	3.0	-	-	102.60

### Test Plugs

Used for pressure testing the system.



Watts Model	Description/Size	Ordering Code	UPC	Net Content	Consumer Unit Weight (lbs)	Case Qty	Case Weight (lbs)	List Price (each)
-------------	------------------	---------------	-----	-------------	----------------------------	----------	-------------------	-------------------

#### PolyBag

WP27P-06PB	3/8" CF	0650817	098268316094	10	0.5	10	5	\$4.65
WP27P-08PB	1/2" CF	0650818	098268316100	10	0.5	10	5	4.75
WP27P-12PB	3/4" CF	0650819	098268316179	10	0.1	10	1	6.25
WP27P-16PB	1" CF	0650820	098268316193	10	0.2	10	2	8.10

#### Bulk

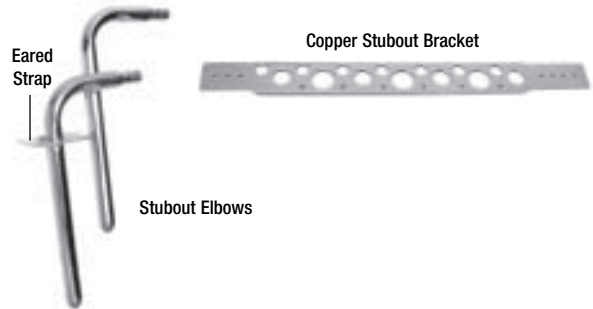
WP27P-06	3/8" CF	0650821	098268316230	100	50.0	-	-	44.30
WP27P-08	1/2" CF	0650822	098268316285	100	50.0	-	-	45.35
WP27P-12	3/4" CF	0650823	098268316308	100	1.0	-	-	59.40
WP27P-16	1" CF	0650824	098268316384	100	2.0	-	-	76.70

\*The wetted surface of this product contacted by consumable water contains less than one quarter of one percent (0.25%) of lead by weight.  
Net Content = Quantity of individual pieces or feet contained in the consumer unit.

**Stubout Brackets and Elbows**

**Copper Stubout Brackets and Elbows**

- **Copper Stubout Brackets** are used to position and align copper pipe and/or stubout elbows at plumbing fixtures (as an alternative to using PEX Stubouts, see below). The brackets are nailed to the wood framing, then the copper pipe or stubouts are soldered to the brackets. This creates a secure, stable stubout for attaching valve stops.
- **Copper Stubout Elbows.** 90° Barbed transition from WaterPEX® supply piping to fixture supply piping.



Watts Model	Description/Size	Ordering Code	UPC	Net Content	Consumer Unit Weight (lbs)	Case Qty	Case Weight (lbs)	List Price
WPSB-A	1/2", 3/4" and 1" Bracket	0650832	098268316629	50	11.0	–	–	\$309.62
WPSB-B8	1/2" CF x 1/2" Nom. Stubout Elbow	0650833	098268316674	10	2.8	10	28	40.75
WPSB-B12	1/2" CF x 1/2" Nom. Stubout Elbow	0650834	098268316704	4	1.4	10	14	22.72
WPSB-E12	3/4" CF x 3/4" Nom. Stubout Elbow	0650835	098268316728	4	2.9	10	29	50.65
WPSB-C	3/8" CF x 1/2" Nom. Stubout Elbow w/Eared Strap	0650836	098268316735	5	1.8	5	9	33.46
WPSB-D	1/2" CF x 1/2" Nom. Stubout Elbow w/Eared Strap	0650837	098268316742	5	1.8	5	9	31.23
WPSB-F	3/4" CF x 3/4" Nom. Stubout Elbow w/Eared Strap	0650838	098268316766	5	3.0	5	15	48.73

\*The wetted surface of this product contacted by consumable water contains less than one quarter of one percent (0.25%) of lead by weight. Net Content = Quantity of individual pieces or feet contained in the consumer unit.



**LEAD FREE\***

**Brass Fittings - Compression**

**No. 60-PT Delrin Compression Sleeve less Insert**

**PolyBag**

Industry No.	Size	Watts Model	Ordering Code	UPC	Bag Qty (# of pieces)	#Inner Carton Qty. (# of bags)	Master Carton Qty. (# of bags)	Master Carton Weight (lbs)	List Price (each)
60-PT-4	For 1/4" OD Tubing	A-1	17000001	048643070301	3	10	120	1.65	\$.57
60-PT-6	For 3/8" OD Tubing	A-101	17000101	048643070622	3	10	120	1.69	.59
60-PT-6	For 3/8" OD Tubing	A-101C	17010101	048643132863	25	5	60	2.09	1.50
60-PT-8	For 1/2" OD Tubing	A-202A	17020202	048643123526	3	5	20	0.52	1.55
60-PT-10	For 5/8" OD Tubing	A-302A	17020302	048643123533	3	5	20	0.53	1.69

**No. 60-PT Delrin Compression Sleeve less Insert**

**Bulk Packages**

Industry No.	Size	Watts Model	Ordering Code	UPC	**Bulk Qty (# of pieces)	#Inner Carton Qty. (# of bags)	Master Carton Qty. (# of bags)	Master Carton Weight (lbs)	List Price (each)
60-PT-4	For 1/4" OD Tubing	A-1BK	17200001	098268391084	100	1	50	15.67	\$5.83
60-PT-6	For 3/8" OD Tubing	A-101BK	17200101	098268391305	100	1	50	17.50	5.83
60-PT-8	For 1/2" OD Tubing	A-202ABK	17210185	098268392722	100	1	50	84.00	41.85
60-PT-10	For 5/8" OD Tubing	A-302ABK	17210197	098268392753	100	1	50	82.00	39.30

**No. 962 Ander-Lign Tube to Tube Union with Brass Insert**

**PolyBag**

Industry No.	Size	Watts Model	Ordering Code	UPC	Bag Qty (# of pieces)	#Inner Carton Qty. (# of bags)	Master Carton Qty. (# of bags)	Master Carton Weight (lbs)	List Price (each)
962-4	1/4" OD Comp. Both Ends	LFA10	17700054	042805445303	1	10	120	7.26	\$2.04
962-5	3/8" OD Comp. Both Ends	LFA92A	17700367	042805447376	1	5	60	5.01	4.52
962-6	3/8" OD Comp. Both Ends	LFA110	17700090	042805445549	1	5	60	10.48	2.94
962-6	3/8" OD Comp. Both Ends	LFA110C	17700364	042805447345	5	5	60	20.67	18.34
962-8	1/2" OD Comp. Both Ends	LFA210	17700144	042805445853	1	5	60	7.63	4.05
962-10	5/8" OD Comp. Both Ends	LFA310	17700181	042805446034	1	5	60	9.46	4.89
962-14	7/8" OD Comp. Both Ends	LFA510	17700210	042805446195	1	2	24	8.22	8.40

**No. 962-R Ander-Lign Tube to Tube Reducing Union with Brass Insert**

**PolyBag**

Industry No.	Size	Watts Model	Ordering Code	UPC	Bag Qty (# of pieces)	#Inner Carton Qty. (# of bags)	Master Carton Qty. (# of bags)	Master Carton Weight (lbs)	List Price (each)
962-R-5-4	5/16" OD Comp. X 1/4" OD Comp.	LFA92B	17700375	042805447444	1	5	40	3.20	\$5.06
962-R-6-4	3/8" OD Comp. X 1/4" OD Comp.	LFA109	17700089	042805445532	1	5	60	5.43	2.73
962-R-8-6	1/2" OD Comp. X 3/8" OD Comp.	LFA209	17700143	042805445846	5	5	60	7.07	3.78
962-R-10-6	5/8" OD Comp. X 3/8" OD Comp.	LFA309	17700180	042805446027	1	5	60	8.77	4.16

*\*\*A bulk package consists of 100 loose pieces, not 100 bagged units.  
#The inner carton reflects the minimum purchase quantity for that item.  
Orders will be rounded to the nearest inner carton quantity.*

*\*The wetted surface of this product contacted by consumable water contains less than one quarter of one percent (0.25%) of lead by weight.  
Net Content = Quantity of individual pieces or feet contained in the consumer unit.*

**No. 62-R Tube to Tube Reducing Union**
**PolyBag**

Industry No.	Size	Watts Model	Ordering Code	UPC	Bag Qty (# of pieces)	#Inner Carton Qty. (# of bags)	Master Carton Qty. (# of bags)	Master Carton Weight (lbs)	List Price (each)
62-R-10-6	5/8" OD Comp. X 3/8" OD Comp.	LFA318	17700184	042805446065	1	5	40	5.95	\$6.58

**No. 62-FM Female Compression to Tube Adaptor less Insert**
**PolyBag**

Industry No.	Size	Watts Model	Ordering Code	UPC	Bag Qty (# of pieces)	#Inner Carton Qty. (# of bags)	Master Carton Qty. (# of bags)	Master Carton Weight (lbs)	List Price (each)
62-FM-6-4	3/8" Female Comp. X 1/4" OD Comp.	LFA157	17700111	042805445754	1	5	60	3.64	\$1.94
62-FM-7-6	7/16" Female Comp. X 3/8" OD Comp.	LFA200	17700138	042805445839	1	5	60	4.49	4.16
62-FM-8-6	1/2" Female Comp. X 3/8" OD Comp.	LFA230	17700153	042805445945	1	5	40	3.25	2.16

**No. 6240 Tube to Female Flare with Gasket Adaptor less Insert**
**PolyBag**

Industry No.	Size	Watts Model	Ordering Code	UPC	Bag Qty (# of pieces)	#Inner Carton Qty. (# of bags)	Master Carton Qty. (# of bags)	Master Carton Weight (lbs)	List Price (each)
6240-4-4	1/4" OD Comp. X 1/4" Female Flare	LFA55	17700071	042805445471	1	5	60	3.27	\$1.62
6240-6-6	3/8" OD Comp. X 3/8" Female Flare	LFA155	17700109	042805445730	1	5	40	3.72	4.64

**No. 964 Ander-Lign Tube 3-Ends Tee with Brass Insert**
**PolyBag**

Industry No.	Size	Watts Model	Ordering Code	UPC	Bag Qty (# of pieces)	#Inner Carton Qty. (# of bags)	Master Carton Qty. (# of bags)	Master Carton Weight (lbs)	List Price (each)
964-4	1/4" OD Comp. 3 Ends	LFA12	17700055	042805445310	1	5	60	7.04	\$3.55
964-6	3/8" OD Comp. 3 Ends	LFA114	17700092	042805445563	1	10	120	19.23	4.94
964-8	1/2" OD Comp. 3 Ends	LFA214	17700145	042805445860	1	5	40	9.85	10.88
964-10	5/8" OD Comp. 3 Ends	LFA313	17700182	042805446041	1	5	60	20.67	13.70

**No. 964-R Ander-Lign Tube 3-Ends Reducing Tee with Brass Insert**
**PolyBag**

Industry No.	Size	Watts Model	Ordering Code	UPC	Bag Qty (# of pieces)	#Inner Carton Qty. (# of bags)	Master Carton Qty. (# of bags)	Master Carton Weight (lbs)	List Price (each)
964-R-6-6-4	3/8" OD Comp. X 3/8" OD Comp. X 1/4" OD Comp.	LFA113	17700091	042805445556	1	5	60	9.70	\$7.71

\*The wetted surface of this product contacted by consumable water contains less than one quarter of one percent (0.25%) of lead by weight.



**LEAD FREE\***

**Brass Fittings - Compression**

**No. 965 Ander-Lign Tube to Tube Elbow with Brass Insert**

**PolyBag**

Industry No.	Size	Watts Model	Ordering Code	UPC	Bag Qty (# of pieces)	#Inner Carton Qty. (# of bags)	Master Carton Qty. (# of bags)	Master Carton Weight (lbs)	List Price (each)
965-4	¼" OD Comp. Both Ends	LFA14	17700056	042805445327	1	5	40	3.82	\$5.00
965-6	⅜" OD Comp. Both Ends	LFA115	17700093	042805445570	1	5	40	5.57	5.61
965-8	½" OD Comp. Both Ends	LFA215	17700146	042805445877	1	5	20	3.91	8.67
965-10	⅝" OD Comp. Both Ends	LFA316	17700183	042805446058	1	5	60	16.80	10.14

**No. 966 Ander-Lign Tube to Tube Elbow with Brass Insert**

**PolyBag**

Industry No.	Size	Watts Model	Ordering Code	UPC	Bag Qty (# of pieces)	#Inner Carton Qty. (# of bags)	Master Carton Qty. (# of bags)	Master Carton Weight (lbs)	List Price (each)
966-4-2	¼" OD Comp. X ⅛" FIP	LFA15	17700057	042805445334	1	5	60	3.62	\$3.26
966-4-4	¼" OD Comp. X ¼" FIP	LFA16	17700058	042805445341	1	5	60	4.15	2.58
966-4-6	¼" OD Comp. X ⅜" FIP	LFA18	17700059	042805445358	1	5	20	1.92	2.36
966-4-8	¼" OD Comp. X ½" FIP	LFA19	17700060	042805445365	1	5	40	4.02	2.52
966-6-4	⅜" OD Comp. X ¼" FIP	LFA116	17700094	042805445587	1	5	40	3.48	3.36
966-6-6	⅜" OD Comp. X ⅜" FIP	LFA117	17700095	042805445594	1	5	60	5.06	3.61
966-6-8	⅜" OD Comp. X ½" FIP	LFA118	17700096	042805445600	1	10	120	11.60	2.83
966-8-8	½" OD Comp. X ½" FIP	LFA218	17700148	042805445891	1	5	60	6.51	3.19
966-10-8	⅝" OD Comp. X ½" FIP	LFA319	17700185	042805446072	1	5	60	7.48	3.36
966-10-12	⅝" OD Comp. X ¾" FIP	LFA320	17700186	042805446089	1	5	20	3.56	7.71

**No. 968 Ander-Lign Tube to Male Pipe Connector with Brass Insert**

**PolyBag**

Industry No.	Size	Watts Model	Ordering Code	UPC	Bag Qty (# of pieces)	#Inner Carton Qty. (# of bags)	Master Carton Qty. (# of bags)	Master Carton Weight (lbs)	List Price (each)
968-4-2	¼" OD Comp. X ⅛" MIP	LFA22	17700061	042805445372	1	5	60	3.47	\$1.57
968-4-4	¼" OD Comp. X ¼" MIP	LFA23	17700062	042805445389	1	5	60	4.27	1.94
968-4-6	¼" OD Comp. X ⅜" MIP	LFA24	17700063	042805445396	1	5	60	5.27	3.44
968-4-8	¼" OD Comp. X ½" MIP	LFA25	17700064	042805445402	1	5	60	6.50	2.54
968-6-4	⅜" OD Comp. X ¼" MIP	LFA122	17700098	042805445624	1	5	60	4.69	2.16
968-6-6	⅜" OD Comp. X ⅜" MIP	LFA123	17700099	042805445631	1	10	120	11.13	2.58
968-6-8	⅜" OD Comp. X ½" MIP	LFA124	17700100	042805445648	1	10	120	14.19	2.90
968-6-12	⅜" OD Comp. X ¾" MIP	LFA125	17700101	042805445655	1	5	20	3.33	5.03
968-8-6	½" OD Comp. X ⅜" MIP	LFA220	17700149	042805445907	1	5	60	6.43	3.00
968-8-8	½" OD Comp. X ½" MIP	LFA221	17700150	042805445914	1	5	60	9.37	3.44
968-10-6	⅝" OD Comp. X ⅜" MIP	LFA323	17700187	042805446096	1	5	20	2.69	3.51
968-10-8	⅝" OD Comp. X ½" MIP	LFA324	17700188	042805446102	1	5	60	7.91	3.51
968-10-12	⅝" OD Comp. X ¾" MIP	LFA325	17700189	042805446119	1	5	60	11.11	7.19
968-14-12	⅞" OD Comp. X ¾" MIP	LFA524	17700212	042805446218	1	2	24	6.25	6.09

**No. 968 Ander-Lign Tube to Male Pipe Connector with Brass Insert**

**Bulk Packages**

Industry No.	Size	Watts Model	Ordering Code	UPC	**Bulk Qty (# of pieces)	#Inner Carton Qty. (# of bags)	Master Carton Qty. (# of bags)	Master Carton Weight (lbs)	List Price (each)
968-10-12	⅝" OD Comp. X ¾" MIP	LFA-325BK	17720189	098268501865	100	1	1	17.08	\$683.05
968-14-12	⅞" OD Comp. X ¾" MIP	LFA-524BK	17720212	098268501872	100	1	1	24.80	578.55

\*\*A bulk package consists of 100 loose pieces, not 100 bagged units.

#The inner carton reflects the minimum purchase quantity for that item. Orders will be rounded to the nearest inner carton quantity.

\*The wetted surface of this product contacted by consumable water contains less than one quarter of one percent (0.25%) of lead by weight.



**LEAD FREE\***

**Brass Fittings - Compression**

**No. 969 Ander-Lign Tube to Male Pipe Elbow with Brass Insert**

**PolyBag**

Industry No.	Size	Watts Model	Ordering Code	UPC	Bag Qty (# of pieces)	#Inner Carton Qty. (# of bags)	Master Carton Qty. (# of bags)	Master Carton Weight (lbs)	List Price (each)
969-4-2	¼" OD Comp. X ⅛" MIP	LFA29	17700065	042805445419	1	5	40	3.10	\$3.97
969-4-4	¼" OD Comp. X ¼" MIP	LFA30	17700066	042805445426	1	5	40	3.92	4.39
969-6-4	¾" OD Comp. X ¼" MIP	LFA128	17700102	042805445662	1	5	40	4.52	4.94
969-6-6	¾" OD Comp. X ⅜" MIP	LFA129	17700103	042805445679	1	5	60	7.98	3.36
969-6-8	¾" OD Comp. X ½" MIP	LFA130	17700104	042805445686	1	5	40	7.25	6.63
969-8-6	½" OD Comp. X ⅜" MIP	LFA222	17700151	042805445921	1	5	40	6.65	6.58
969-8-8	½" OD Comp. X ½" MIP	LFA223	17700152	042805445938	1	5	20	3.93	7.71
969-10-8	¾" OD Comp. X ½" MIP	LFA328	17700190	042805446126	1	5	40	8.78	7.66

**LEAD FREE\***

**Brass Fittings - Fine Thread Flare**

**No. 6280 Brass Tube to Fine Thread Female Flare Adaptor**

**PolyBag**

Industry No.	Size	Watts Model	Ordering Code	UPC	Bag Qty (# of pieces)	#Inner Carton Qty. (# of bags)	Master Carton Qty. (# of bags)	Master Carton Weight (lbs)	List Price (each)
6280-6-6	¾" OD Comp. X ⅜" Fine Thread Female Flare	LFA156	17700110	042805445747	1	5	60	3.96	\$3.19

**LEAD FREE\***

**Brass Fittings - Cooler Fittings**

**No. 9192-EVP Cooler Valve (Tee with ¼" Tube Needle Valve with Universal Compression Nuts)**

**PolyBag**

Industry No.	Size	Watts Model	Ordering Code	UPC	Bag Qty (# of pieces)	#Inner Carton Qty. (# of bags)	Master Carton Qty. (# of bags)	Master Carton Weight (lbs)	List Price (each)
9192-EVP-6	For ¾" OD Tubing Both Ends	LFA139	17700105	042805445693	1	5	60	12.36	\$13.20

\*The wetted surface of this product contacted by consumable water contains less than one quarter of one percent (0.25%) of lead by weight.



**LEAD FREE\***

**Brass Fittings - Barstock and Forged**

### No. 100 Female Pipe to Female Pipe Elbow

PolyBag

Industry No.	Size	Watts Model	Ordering Code	UPC	Bag Qty (# of pieces)	#Inner Carton Qty. (# of bags)	Master Carton Qty. (# of bags)	Master Carton Weight (lbs)	List Price (each)
100-2	1/8" FIP Both Ends	LFA700	17700239	042805446225	1	5	20	1.72	\$3.09
100-4	1/4" FIP Both Ends	LFA727	17700251	042805446348	1	5	60	6.51	4.10
100-6	3/8" FIP Both Ends	LFA755	17700266	042805446492	1	5	40	5.68	5.25

### No. 101 Female Pipe Tee

PolyBag

Industry No.	Size	Watts Model	Ordering Code	UPC	Bag Qty (# of pieces)	#Inner Carton Qty. (# of bags)	Master Carton Qty. (# of bags)	Master Carton Weight (lbs)	List Price (each)
101-2	1/8" FIP 3 Ends	LFA704	17700240	042805446232	1	5	20	1.87	\$3.68
101-4	1/4" FIP 3 Ends	LFA730	17700253	042805446362	1	5	60	6.67	3.32
101-6	3/8" FIP 3 Ends	LFA758	17700267	042805446508	1	5	60	8.86	5.21

### No. 103 Female Pipe Coupling

PolyBag

Industry No.	Size	Watts Model	Ordering Code	UPC	Bag Qty (# of pieces)	#Inner Carton Qty. (# of bags)	Master Carton Qty. (# of bags)	Master Carton Weight (lbs)	List Price (each)
103-2	1/8" FIP Both Ends	LFA706	17700241	042805446249	1	5	60	2.71	\$1.03
103-4	1/4" FIP Both Ends	LFA732	17700254	042805446379	1	5	60	3.82	1.45
103-6	3/8" FIP Both Ends	LFA760	17700268	042805446515	1	5	60	4.56	1.97
103-8	1/2" FIP Both Ends	LFA810	17700287	042805446706	1	5	60	5.42	2.52
103-12	3/4" FIP Both Ends	LFA862	17700313	042805446966	1	5	60	8.62	5.37

### No. 103-R Female Pipe Reducing Coupling

PolyBag

Industry No.	Size	Watts Model	Ordering Code	UPC	Bag Qty (# of pieces)	#Inner Carton Qty. (# of bags)	Master Carton Qty. (# of bags)	Master Carton Weight (lbs)	List Price (each)
103-R-4-2	1/4" FIP X 1/8" FIP	LFA734	17700255	042805446386	1	5	60	3.72	\$1.38
103-R-6-2	3/8" FIP X 1/8" FIP	LFA762	17700269	042805446522	1	5	20	1.52	3.78
103-R-6-4	3/8" FIP X 1/4" FIP	LFA765	17700270	042805446539	1	5	60	4.65	3.92
103-R-8-4	1/2" FIP X 1/4" FIP	LFA813	17700288	042805446713	1	5	60	6.66	2.70
103-R-8-6	1/2" FIP X 3/8" FIP	LFA815	17700289	042805446720	1	5	60	6.62	2.81
103-R-12-8	3/4" FIP X 1/2" FIP	LFA865	17700314	042805446973	1	5	60	8.62	3.51
103-R-16-12	1" FIP X 3/4" FIP	LFA905	17700332	042805447154	1	2	24	10.38	14.30

### No. 104 Female Pipe Union

PolyBag

Industry No.	Size	Watts Model	Ordering Code	UPC	Bag Qty (# of pieces)	#Inner Carton Qty. (# of bags)	Master Carton Qty. (# of bags)	Master Carton Weight (lbs)	List Price (each)
104-12	3/4" FIP Both Ends	LFA867	17700315	042805446980	1	5	60	43.62	\$29.15

\*The wetted surface of this product contacted by consumable water contains less than one quarter of one percent (0.25%) of lead by weight.

**No. 108 Female Pipe Cap**
**PolyBag**

Industry No.	Size	Watts Model	Ordering Code	UPC	Bag Qty (# of pieces)	#Inner Carton Qty. (# of bags)	Master Carton Qty. (# of bags)	Master Carton Weight (lbs)	List Price (each)
108-2	1/8" FIP	LFA708	17700242	042805446256	1	5	40	1.65	\$1.22
108-4	1/4" FIP	LFA736	17700256	042805446393	1	5	60	2.48	1.35
108-6	3/8" FIP	LFA769	17700271	042805446546	1	5	60	4.21	2.77
108-8	1/2" FIP	LFA819	17700291	042805446744	1	5	60	5.41	2.19
108-12	3/4" FIP	LFA868	17700316	042805446997	1	5	20	2.83	2.94

**No. 109 Square Head Plug**
**PolyBag**

Industry No.	Size	Watts Model	Ordering Code	UPC	Bag Qty (# of pieces)	#Inner Carton Qty. (# of bags)	Master Carton Qty. (# of bags)	Master Carton Weight (lbs)	List Price (each)
109-2	1/8" MIP	LFA710	17700243	042805446263	1	5	60	2.29	\$1.38
109-4	1/4" MIP	LFA737	17700257	042805446409	1	5	60	2.78	0.96
109-6	3/8" MIP	LFA773	17700272	042805446553	1	5	60	3.69	1.26
109-8	1/2" MIP	LFA823	17700292	042805446751	1	5	60	5.65	2.13

**No. 110 Male Pipe to Female Pipe Hex Bushing**
**PolyBag**

Industry No.	Size	Watts Model	Ordering Code	UPC	Bag Qty (# of pieces)	#Inner Carton Qty. (# of bags)	Master Carton Qty. (# of bags)	Master Carton Weight (lbs)	List Price (each)
110-4-2	1/4" MIP X 1/8" FIP	LFA738	17700258	042805446416	1	5	60	2.66	\$1.03
110-6-2	3/8" MIP X 1/8" FIP	LFA776	17700273	042805446560	1	5	40	2.87	1.57
110-6-4	3/8" MIP X 1/4" FIP	LFA778	17700274	042805446577	1	5	60	3.23	1.20
110-8-2	1/2" MIP X 1/8" FIP	LFA826	17700293	042805446768	1	5	60	7.62	2.54
110-8-4	1/2" MIP X 1/4" FIP	LFA827	17700294	042805446775	1	5	60	6.29	3.09
110-8-6	1/2" MIP X 3/8" FIP	LFA828	17700295	042805446782	1	5	60	4.53	1.74
110-12-8	3/4" MIP X 1/2" FIP	LFA870	17700318	042805447017	1	5	60	8.02	2.83
110-16-12	1" MIP X 3/4" FIP	LFA911	17700334	042805447178	1	2	24	6.00	9.24

**No. 116 Male Pipe to Female Pipe Street Elbow**
**PolyBag**

Industry No.	Size	Watts Model	Ordering Code	UPC	Bag Qty (# of pieces)	#Inner Carton Qty. (# of bags)	Master Carton Qty. (# of bags)	Master Carton Weight (lbs)	List Price (each)
116-2	1/8" MIP X 1/8" FIP	LFA712	17700244	042805446270	1	5	60	4.10	\$2.41
116-4	1/4" MIP X 1/4" FIP	LFA739	17700259	042805446423	1	5	60	6.07	3.74
116-6	3/8" MIP X 3/8" FIP	LFA782	17700275	042805446584	1	5	60	8.69	4.29

**No. 122 Hex Nipple**
**PolyBag**

Industry No.	Size	Watts Model	Ordering Code	UPC	Bag Qty (# of pieces)	#Inner Carton Qty. (# of bags)	Master Carton Qty. (# of bags)	Master Carton Weight (lbs)	List Price (each)
122-4	1/4" MIP Both Ends	LFA729	17700252	042805446355	1	5	60	3.65	\$1.38
122-6	3/8" MIP Both Ends	LFA783	17700276	042805446591	1	5	60	5.11	1.89
122-8	1/2" MIP Both Ends	LFA833	17700298	042805446812	1	5	60	6.42	3.13
122-12	3/4" MIP Both Ends	LFA875	17700319	042805447024	1	5	60	12.31	4.29

\*The wetted surface of this product contacted by consumable water contains less than one quarter of one percent (0.25%) of lead by weight.



**LEAD FREE\***

## Brass Fittings - Cast Red Brass

### No. C100 Cast Red Brass Female Pipe to Female Pipe Elbow

PolyBag

Industry No.	Size	Watts Model	Ordering Code	UPC	Bag Qty (# of pieces)	#Inner Carton Qty. (# of bags)	Master Carton Qty. (# of bags)	Master Carton Weight (lbs)	List Price (each)
C100-8	½" FIP Both Ends	LFA805	17700285	042805446683	1	5	60	15.24	\$9.41
C100-12	¾" FIP Both Ends	LFA855	17700311	042805446942	1	5	40	15.27	14.49

### No. C101 Cast Red Brass Female Pipe Tee

PolyBag

Industry No.	Size	Watts Model	Ordering Code	UPC	Bag Qty (# of pieces)	#Inner Carton Qty. (# of bags)	Master Carton Qty. (# of bags)	Master Carton Weight (lbs)	List Price (each)
C101-8	½" FIP 3 Ends	LFA808	17700286	042805446690	1	5	60	19.39	\$12.35
C101-12	¾" FIP 3 Ends	LFA858	17700312	042805446959	1	5	60	28.78	16.97

### No. C104 Cast Red Brass Female Pipe Union

PolyBag

Industry No.	Size	Watts Model	Ordering Code	UPC	Bag Qty (# of pieces)	#Inner Carton Qty. (# of bags)	Master Carton Qty. (# of bags)	Master Carton Weight (lbs)	List Price (each)
C104-8	½" FIP Both Ends	LFA817	17700290	042805446737	1	5	20	9.79	\$18.82

### No. C109 Cast Red Brass Square Head Plug

PolyBag

Industry No.	Size	Watts Model	Ordering Code	UPC	Bag Qty (# of pieces)	#Inner Carton Qty. (# of bags)	Master Carton Qty. (# of bags)	Master Carton Weight (lbs)	List Price (each)
C109-12	¾" MIP	LFA869	17700317	042805447000	1	5	60	10.39	\$5.80

### No. C116 Cast Red Brass Male Pipe to Female Pipe Street Elbow

PolyBag

Industry No.	Size	Watts Model	Ordering Code	UPC	Bag Qty (# of pieces)	#Inner Carton Qty. (# of bags)	Master Carton Qty. (# of bags)	Master Carton Weight (lbs)	List Price (each)
C116-8	½" MIP X ½" FIP	LFA832	17700297	042805446805	1	5	60	16.33	\$10.88
C116-12	¾" MIP X ¾" FIP	LFA876	17700320	042805447031	1	5	60	22.36	13.93

\*The wetted surface of this product contacted by consumable water contains less than one quarter of one percent (0.25%) of lead by weight.



**LEAD FREE\***

## Brass Fittings - Pipe Nipples

### No. 113 Yellow Brass 1/8" Pipe Nipple

PolyBag

Industry No.	Size	Watts Model	Ordering Code	UPC	Bag Qty (# of pieces)	#Inner Carton Qty. (# of bags)	Master Carton Qty. (# of bags)	Master Carton Weight (lbs)	List Price (each)
113-2	1/8" MIP X Close	LFA715	17700245	042805446287	1	5	60	2.12	\$1.13
113-2	1/8" MIP X 1 1/2" Long	LFA716	17700246	042805446294	1	5	60	3.00	1.03
113-2	1/8" MIP X 2" Long	LFA717	17700247	042805446300	1	5	40	2.36	1.51

### No. RB113 Red Brass 1/8" Pipe Nipple

PolyBag

Industry No.	Size	Watts Model	Ordering Code	UPC	Bag Qty (# of pieces)	#Inner Carton Qty. (# of bags)	Master Carton Qty. (# of bags)	Master Carton Weight (lbs)	List Price (each)
RB113-2	1/8" MIP X 3" Long	LFA719	17700249	042805446324	1	5	20	1.55	\$3.97
RB113-2	1/8" MIP X 4" Long	LFA721	17700250	042805446331	1	5	20	2.05	5.13

### No. 113 Yellow Brass 1/4" Pipe Nipple

PolyBag

Industry No.	Size	Watts Model	Ordering Code	UPC	Bag Qty (# of pieces)	#Inner Carton Qty. (# of bags)	Master Carton Qty. (# of bags)	Master Carton Weight (lbs)	List Price (each)
113-4	1/4" MIP X Close	LFA740	17700260	042805446430	1	5	60	2.75	\$1.10
113-4	1/4" MIP X 1 1/2" Long	LFA741	17700261	042805446447	1	5	60	3.83	1.57
113-4	1/4" MIP X 2" Long	LFA742	17700262	042805446454	1	5	60	5.84	2.12
113-4	1/4" MIP X 2 1/2" Long	LFA743	17700263	042805446461	1	5	60	7.10	2.58
113-4	1/4" MIP X 3" Long	LFA744	17700264	042805446478	1	5	60	8.66	2.94
113-4	1/4" MIP X 4" Long	LFA746	17700265	042805446485	1	5	60	11.65	4.05

### No. 113 Yellow Brass 3/8" Pipe Nipple

PolyBag

Industry No.	Size	Watts Model	Ordering Code	UPC	Bag Qty (# of pieces)	#Inner Carton Qty. (# of bags)	Master Carton Qty. (# of bags)	Master Carton Weight (lbs)	List Price (each)
113-6	3/8" MIP X Close	LFA785	17700277	042805446607	1	5	60	3.22	\$1.26
113-6	3/8" MIP X 1 1/2" Long	LFA786	17700278	042805446614	1	5	60	4.87	1.89
113-6	3/8" MIP X 2" Long	LFA787	17700279	042805446621	1	5	40	4.40	2.35
113-6	3/8" MIP X 2 1/2" Long	LFA788	17700280	042805446638	1	5	20	2.75	3.65
113-6	3/8" MIP X 3" Long	LFA789	17700281	042805446645	1	5	20	3.30	5.73
113-6	3/8" MIP X 4" Long	LFA791	17700282	042805446652	1	5	20	4.38	4.71
113-6	3/8" MIP X 6" Long	LFA795	17700284	042805446676	1	5	60	20.03	10.80

### No. 113-CP Yellow Brass 3/8" Chrome Plated Pipe Nipple

PolyBag

Industry No.	Size	Watts Model	Ordering Code	UPC	Bag Qty (# of pieces)	#Inner Carton Qty. (# of bags)	Master Carton Qty. (# of bags)	Master Carton Weight (lbs)	List Price (each)
113-CP-6	3/8" MIP X 2" Long	LFACP 787	17700352	042805447246	1	5	60	6.64	\$3.20
113-CP-6	3/8" MIP X 4" Long	LFACP 791	17700353	042805447253	1	5	60	13.04	4.83

\*The wetted surface of this product contacted by consumable water contains less than one quarter of one percent (0.25%) of lead by weight.



**LEAD FREE\***

## Brass Fittings - Pipe Nipples

### No. 113 Yellow Brass 1/2" Pipe Nipple

PolyBag

Industry No.	Size	Watts Model	Ordering Code	UPC	Bag Qty (# of pieces)	#Inner Carton Qty. (# of bags)	Master Carton Qty. (# of bags)	Master Carton Weight (lbs)	List Price (each)
113-8	1/2" MIP X Close	LFA835	17700299	042805446829	1	5	60	4.35	\$2.48
113-8	1/2" MIP X 1 1/2" Long	LFA836	17700300	042805446836	1	5	60	5.98	2.54
113-8	1/2" MIP X 2" Long	LFA837	17700301	042805446843	1	5	60	7.94	3.32
113-8	1/2" MIP X 2 1/2" Long	LFA838	17700302	042805446850	1	5	60	9.90	4.16
113-8	1/2" MIP X 3" Long	LFA839	17700303	042805446867	1	5	60	11.59	6.09
113-8	1/2" MIP X 4" Long	LFA841	17700304	042805446874	1	5	60	15.65	6.87
113-8	1/2" MIP X 5" Long	LFA843	17700305	042805446881	1	5	60	20.17	11.30
113-8	1/2" MIP X 5 1/2" Long	LFA844	17700306	042805446898	1	5	60	22.10	13.04
113-8	1/2" MIP X 6" Long	LFA845	17700307	042805446904	1	5	60	25.08	11.34

### No. 113-CP Yellow Brass 1/2" Chrome Plated Pipe Nipple

PolyBag

Industry No.	Size	Watts Model	Ordering Code	UPC	Bag Qty (# of pieces)	#Inner Carton Qty. (# of bags)	Master Carton Qty. (# of bags)	Master Carton Weight (lbs)	List Price (each)
113-CP-8	1/2" MIP X 2" Long	LFACP 837	17700354	042805447260	1	5	60	8.12	\$3.51
113-CP-8	1/2" MIP X 4" Long	LFACP 841	17700356	042805447284	1	5	60	15.99	7.19

### No. 113 Yellow Brass 3/4" Pipe Nipple

PolyBag

Industry No.	Size	Watts Model	Ordering Code	UPC	Bag Qty (# of pieces)	#Inner Carton Qty. (# of bags)	Master Carton Qty. (# of bags)	Master Carton Weight (lbs)	List Price (each)
113-12	3/4" MIP X Close	LFA877	17700321	042805447048	1	5	60	6.61	\$3.15
113-12	3/4" MIP X 1 1/2" Long	LFA878	17700322	042805447055	1	5	60	7.27	3.51
113-12	3/4" MIP X 2" Long	LFA879	17700323	042805447062	1	5	60	9.58	4.57
113-12	3/4" MIP X 2 1/2" Long	LFA880	17700324	042805447079	1	5	60	14.02	5.67
113-12	3/4" MIP X 4" Long	LFA883	17700326	042805447093	1	5	40	12.82	10.37

### No. 113 Yellow Brass 1" Pipe Nipple

PolyBag

Industry No.	Size	Watts Model	Ordering Code	UPC	Bag Qty (# of pieces)	#Inner Carton Qty. (# of bags)	Master Carton Qty. (# of bags)	Master Carton Weight (lbs)	List Price (each)
113-16	1" MIP X Close	LFA915	17700336	042805447192	1	2	24	4.28	\$7.29

\*The wetted surface of this product contacted by consumable water contains less than one quarter of one percent (0.25%) of lead by weight.

**No. 222 Brass I.D. Barb Splicer**
**PolyBag**

Industry No.	Size	Watts Model	Ordering Code	UPC	Bag Qty (# of pieces)	#Inner Carton Qty. (# of bags)	Master Carton Qty. (# of bags)	Master Carton Weight (lbs)	List Price (each)
222-3	For 3/16" ID Tubing Both Ends	LFA95	17700080	042805445501	1	5	60	1.80	\$1.25
222-4	For 1/4" ID Tubing Both Ends	LFA190	17700134	042805445792	1	5	60	2.16	1.06
222-5	For 5/16" ID Tubing Both Ends	LFA201A	17700369	042805447390	1	5	60	2.83	2.04
222-6	For 3/8" ID Tubing Both Ends	LFA290	17700171	042805445976	1	5	60	3.12	1.36
222-8	For 1/2" ID Tubing Both Ends	LFA380	17700200	042805446133	1	5	60	4.05	1.77
222-10	For 5/8" ID Tubing Both Ends	LFA490	17700205	042805446164	1	5	40	4.46	4.05

**No. 222N Plastic I.D. Barb Splicer**
**PolyBag**

Industry No.	Size	Watts Model	Ordering Code	UPC	Bag Qty (# of pieces)	#Inner Carton Qty. (# of bags)	Master Carton Qty. (# of bags)	Master Carton Weight (lbs)	List Price (each)
222N-2	For 1/8" ID Tubing Both Ends	A-82	17000082	048643067042	1	5	60	1.41	\$1.36
222N-3	For 3/16" ID Tubing Both Ends	A-93	17000093	048643067080	1	5	60	1.39	0.89
222N-4	For 1/4" ID Tubing Both Ends	A-195	17000195	048643067127	1	5	60	1.45	1.15
222N-5	For 5/16" ID Tubing Both Ends	A-201	17000201	048643067233	1	5	40	1.11	0.84
222N-6	For 3/8" ID Tubing Both Ends	A-292	17000292	048643067349	1	5	60	1.66	1.16
222N-8	For 1/2" ID Tubing Both Ends	A-382	17000382	048643067417	1	5	60	1.93	0.84
222N-10	For 5/8" ID Tubing Both Ends	A-480	17000480	048643071575	1	5	60	2.12	1.20
222N-12	For 3/4" ID Tubing Both Ends	A-585	17000585	048643071681	1	5	60	2.46	1.78
222N-16	For 1" ID Tubing Both Ends	A-620	17000620	048643071759	1	5	40	2.19	1.88
222N-20	For 1 1/4" ID Tubing Both Ends	A-630	17000630	048643071773	1	2	24	2.93	2.67
222N-24	For 1 1/2" ID Tubing Both Ends	A-640	17000640	048643071797	1	2	24	3.05	3.14

\*The wetted surface of this product contacted by consumable water contains less than one quarter of one percent (0.25%) of lead by weight.



**LEAD FREE\***

**Brass Fittings - Hose Barb**

**No. 222NR Plastic I.D. Barb Reducing Splicer**

**PolyBag**

Industry No.	Size	Watts Model	Ordering Code	UPC	Bag Qty (# of pieces)	#Inner Carton Qty. (# of bags)	Master Carton Qty. (# of bags)	Master Carton Weight (lbs)	List Price (each)
222NR-10-8	5/8" ID Barb X 1/2" ID Barb	A-479	17000479	048643064720	1	5	40	1.45	\$1.26

**No. 224N Plastic I.D. Barb Tee**

**PolyBag**

Industry No.	Size	Watts Model	Ordering Code	UPC	Bag Qty (# of pieces)	#Inner Carton Qty. (# of bags)	Master Carton Qty. (# of bags)	Master Carton Weight (lbs)	List Price (each)
224N-4	For 1/4" ID Tubing All Ends	A-191	17000191	048643074026	1	5	60	1.52	\$1.05
224N-6	For 3/8" ID Tubing All Ends	A-291	17000291	048643074033	1	5	60	2.03	1.52
224N-8	For 1/2" ID Tubing All Ends	A-381	17000381	048643074040	1	5	60	2.15	1.46
224N-10	For 3/4" ID Tubing All Ends	A-483	17000483	048643067462	1	5	60	2.54	1.52
224N-12	For 3/4" ID Tubing All Ends	A-581	17000581	048643074057	1	5	40	2.41	1.46
224N-16	For 1" ID Tubing All Ends	A-621	17000621	048643074064	1	5	60	4.81	2.46
224N-20	For 1 1/4" ID Tubing All Ends	A-631	17000631	048643064690	1	2	24	4.31	4.08

**Bulk Packages**

Industry No.	Size	Watts Model	Ordering Code	UPC	**Bulk Qty (# of pieces)	#Inner Carton Qty. (# of bags)	Master Carton Qty. (# of bags)	Master Carton Weight (lbs)	List Price (each)
224N-8	For 1/2" ID Tubing All Ends	A-381BK	17200381	098268392210	100	1	4	12.16	\$150.65
224N-6	For 3/8" ID Tubing All Ends	A-291BK	17200291	098268426229	100	1	1	4.2	48.12
224N-10	For 3/8" ID Tubing All Ends	A-483BK	17200483	098268426236	100	1	1	4.4	51.83

\*\*A bulk package consists of 100 loose pieces, not 100 bagged units.  
 #The inner carton reflects the minimum purchase quantity for that item.  
 Orders will be rounded to the nearest inner carton quantity.

\*The wetted surface of this product contacted by consumable water contains less than one quarter of one percent (0.25%) of lead by weight.

**No. 225 Brass Barb I.D. Hose Barb to Male Pipe Adaptor**
**PolyBag**

Industry No.	Size	Watts Model	Ordering Code	UPC	Bag Qty (# of pieces)	#Inner Carton Qty. (# of bags)	Master Carton Qty. (# of bags)	Master Carton Weight (lbs)	List Price (each)
225-2-4	1/8" ID Barb X 1/4" MIP	LFA85	17700078	042805445488	1	5	60	3.19	\$1.51
225-3-4	3/16" ID Barb X 1/4" MIP	LFA96	17700081	042805445518	1	5	60	3.19	1.45
225-4-2	1/4" ID Barb X 1/8" MIP	LFA192B	17700376	042805447451	1	5	60	2.59	2.41
225-4-4	1/4" ID Barb X 1/4" MIP	LFA192	17700135	042805445808	1	5	60	3.32	1.45
225-4-6	1/4" ID Barb X 3/8" MIP	LFA193	17700136	042805445815	1	5	60	4.60	1.74
225-5-4	5/16" ID Barb X 1/4" MIP	LFA201B	17700377	042805447468	1	5	60	4.07	1.45
225-6-4	3/8" ID Barb X 1/4" MIP	LFA293	17700172	042805445983	1	5	60	3.61	1.57
225-6-6	3/8" ID Barb X 3/8" MIP	LFA294	17700173	042805445990	1	5	60	4.75	1.94
225-6-8	3/8" ID Barb X 1/2" MIP	LFA300A	17700370	042805447406	1	5	60	5.77	3.68
225-8-8	1/2" ID Barb X 1/2" MIP	LFA385	17700201	042805446140	1	5	60	6.23	2.73
225-10-8	5/8" ID Barb X 1/2" MIP	LFA493	17700208	042805446171	1	5	60	6.84	2.90
225-10-12	5/8" ID Barb X 3/4" MIP	LFA495	17700209	042805446188	1	5	60	10.30	3.97

**No. 225N Plastic I.D. Barb to Male Pipe Adaptor**
**PolyBag**

Industry No.	Size	Watts Model	Ordering Code	UPC	Bag Qty (# of pieces)	#Inner Carton Qty. (# of bags)	Master Carton Qty. (# of bags)	Master Carton Weight (lbs)	List Price (each)
225N-4-8	1/4" ID Barb X 1/2" MIP	A-193B	17090193	048643123595	1	5	60	2.12	\$1.41
225N-6-4	3/8" ID Barb X 1/4" MIP	A-292B	17090292	048643142480	1	5	60	1.84	1.15
225N-6-6	3/8" ID Barb X 3/8" MIP	A-292C	17010292	048643142497	1	5	60	1.97	1.15
225N-6-8	3/8" ID Barb X 1/2" MIP	A-300	17000300	048643067356	1	5	60	2.19	1.36
225N-8-6	1/2" ID Barb X 3/8" MIP	A-387A	17020387	048643125209	1	5	60	2.17	0.64
225N-8-8	1/2" ID Barb X 1/2" MIP	A-387	17000387	048643067424	1	5	60	2.25	1.16
225N-8-12	1/2" ID Barb X 3/4" MIP	A-388	17000388	048643067431	1	5	40	5.25	0.94
225N-10-8	5/8" ID Barb X 1/2" MIP	A-488	17000488	048643067479	1	5	60	2.41	1.20
225N-10-12	5/8" ID Barb X 3/4" MIP	A-489	17000489	048643067486	1	5	60	2.68	0.89
225N-12-8	3/4" ID Barb X 1/2" MIP	A-589	17000589	048643073524	1	5	60	2.51	1.62
225N-12-12	3/4" ID Barb X 3/4" MIP	A-590	17000590	048643071698	1	5	60	2.57	1.05
225N-16-12	1" ID Barb X 3/4" MIP	A-625	17000625	048643071766	1	5	40	2.10	2.04
225N-20-16	1 1/4" ID Barb X 1" MIP	A-635	17000635	048643071780	1	2	16	1.68	2.30
225N-20-20	1 1/4" ID Barb X 1 1/4" MIP	A-635A	17020635	048643178151	1	2	24	2.94	2.77
225N-24-24	1 1/2" ID Barb X 1 1/2" MIP	A-645	17000645	048643071803	1	2	24	3.45	2.88

**Bulk Packages**

Industry No.	Size	Watts Model	Ordering Code	UPC	**Bulk Qty (# of pieces)	#Inner Carton Qty. (# of bags)	Master Carton Qty. (# of bags)	Master Carton Weight (lbs)	List Price (each)
225N-6-6	3/8" ID Barb X 3/8" MIP	A-292CBK	17210192	098268392838	100	1	4	9.76	\$117.90

**No. 225GN Plastic Barb I.D. to Male Hose Adaptor**
**PolyBag**

Industry No.	Size	Watts Model	Ordering Code	UPC	Bag Qty (# of pieces)	#Inner Carton Qty. (# of bags)	Master Carton Qty. (# of bags)	Master Carton Weight (lbs)	List Price (each)
225GN-8-12	1/2" ID Barb X 3/4" Male Hose Thread	A-386	17000386	048643064867	1	5	40	1.73	\$2.06
225GN-12-12	3/4" ID Barb X 3/4" Male Hose Thread	A-591	17000591	048643064874	1	5	40	1.81	1.73

\*\*A bulk package consists of 100 loose pieces, not 100 bagged units.  
 #The inner carton reflects the minimum purchase quantity for that item.  
 Orders will be rounded to the nearest inner carton quantity.

\*The wetted surface of this product contacted by consumable water contains less than one quarter of one percent (0.25%) of lead by weight.



**LEAD FREE\***

**Brass Fittings - Hose Barb**

**No. 226 Brass I.D. Hose Barb to Female Pipe Adaptor**

**PolyBag**

Industry No.	Size	Watts Model	Ordering Code	UPC	Bag Qty (# of pieces)	#Inner Carton Qty. (# of bags)	Master Carton Qty. (# of bags)	Master Carton Weight (lbs)	List Price (each)
226-4-4	¼" ID Barb X ¼" FIP	LFA197	17700137	042805445822	1	5	60	3.53	\$1.52
226-6-6	¾" ID Barb X ¾" FIP	LFA298	17700174	042805446003	1	5	60	4.79	1.80
226-8-8	½" ID Barb X ½" FIP	LFA390	17700202	042805446157	1	5	60	6.04	2.48

**No. 227N Plastic I.D. Barb Elbow**

**PolyBag**

Industry No.	Size	Watts Model	Ordering Code	UPC	Bag Qty (# of pieces)	#Inner Carton Qty. (# of bags)	Master Carton Qty. (# of bags)	Master Carton Weight (lbs)	List Price (each)
227N-4	For ¼" ID Tubing Both Ends	A-196	17000196	048643067134	1	5	60	1.55	\$1.41
227N-6	For ¾" ID Tubing Both Ends	A-301	17000301	048643067363	1	5	60	1.76	1.37
227N-8	For ½" ID Tubing Both Ends	A-392	17000392	048643067448	1	5	60	2.18	1.20
227N-10	For ⅝" ID Tubing Both Ends	A-496	17000496	048643067493	1	5	60	1.98	1.31
227N-12	For ¾" ID Tubing Both Ends	A-596	17000596	048643067516	1	5	60	2.77	1.94

**Bulk Packages**

Industry No.	Size	Watts Model	Ordering Code	UPC	**Bulk Qty (# of pieces)	#Inner Carton Qty. (# of bags)	Master Carton Qty. (# of bags)	Master Carton Weight (lbs)	List Price (each)
227N-6	For ¾" ID Tubing Both Ends	A-301BK	17200301	098268430929	100	1	1	2.24	\$130.17

**No. 229N Plastic I.D. Barb to Male Pipe Elbow**

**PolyBag**

Industry No.	Size	Watts Model	Ordering Code	UPC	Bag Qty (# of pieces)	#Inner Carton Qty. (# of bags)	Master Carton Qty. (# of bags)	Master Carton Weight (lbs)	List Price (each)
229N-2-2	⅙" ID Barb X ⅙" MIP	A-87	17000087	048643067004	1	5	60	1.46	\$1.94
229N-4-4	¼" ID Barb X ¼" MIP	A-199	17000199	048643064737	1	5	40	1.35	1.46
229N-6-4	¾" ID Barb X ¼" MIP	A-295	17000295	048643064744	1	5	40	1.46	1.41
229N-6-8	¾" ID Barb X ½" MIP	A-296	17000296	048643064751	1	5	40	1.72	1.57
229N-8-8	½" ID Barb X ½" MIP	A-394	17000394	048643064768	1	5	60	2.50	1.41
229N-8-12	½" ID Barb X ¾" MIP	A-395	17000395	048643064799	1	5	20	0.98	1.62
229N-10-8	⅝" ID Barb X ½" MIP	A-497	17000497	048643064775	1	5	60	3.09	1.31
229N-10-12	⅝" ID Barb X ¾" MIP	A-498	17000498	048643064805	1	5	60	3.30	1.73
229N-12-8	¾" ID Barb X ½" MIP	A-594	17000594	048643064782	1	5	60	3.30	1.94
229N-12-12	¾" ID Barb X ¾" MIP	A-595	17000595	048643064812	1	5	60	3.31	2.04
229N-16-20	1" ID Barb X 1¼" MIP	A-627	17000627	048643064829	1	5	60	7.21	3.40
229N-20-20	1¼" ID Barb X 1¼" MIP	A-638	17000638	048643064836	1	2	24	3.92	3.77
229N-24-24	1½" ID Barb X 1½" MIP	A-647	17000647	048643064843	1	2	24	5.38	4.34

\*\*A bulk package consists of 100 loose pieces, not 100 bagged units.  
 #The inner carton reflects the minimum purchase quantity for that item.  
 Orders will be rounded to the nearest inner carton quantity.

\*The wetted surface of this product contacted by consumable water contains less than one quarter of one percent (0.25%) of lead by weight.



**LEAD FREE\***

**Brass Fittings - Garden Hose**

**No. GH10N Plastic Female Hose Nut**

**PolyBag**

Industry No.	Size	Watts Model	Ordering Code	UPC	Bag Qty (# of pieces)	#Inner Carton Qty. (# of bags)	Master Carton Qty. (# of bags)	Master Carton Weight (lbs)	List Price (each)
GH10N-10-12	5/8" Female Hose Thread X 3/4" ID Barb	A-486	17000486	048643071599	1	5	20	0.96	\$1.57

**LEAD FREE\***

**Brass Fittings - Needle Valves**

**No. 9106-CP Ander-Lign Poly Tube to Tube Straight Needle Valve with Insert**

**PolyBag**

Industry No.	Size	Watts Model	Ordering Code	UPC	Bag Qty (# of pieces)	#Inner Carton Qty. (# of bags)	Master Carton Qty. (# of bags)	Master Carton Weight (lbs)	List Price (each)
9106-CP-4	For 1/4" OD Tubing Both Ends	LFA42	17700069	042805445457	1	5	60	6.56	\$6.83
9106-CP-6	For 3/8" OD Tubing	LFA140	17700106	042805445709	1	5	60	11.18	10.61

**No. 9101-CP Ander-Lign Poly Tube to Male Pipe Straight Needle Valve with Insert**

**PolyBag**

Industry No.	Size	Watts Model	Ordering Code	UPC	Bag Qty (# of pieces)	#Inner Carton Qty. (# of bags)	Master Carton Qty. (# of bags)	Master Carton Weight (lbs)	List Price (each)
9101-CP-4-2	1/4" OD Comp. X 1/8" MIP	LFA40	17700067	042805445433	1	5	40	4.01	\$5.73

**No. 9103-CP Ander-Lign Poly Tube to Male Pipe Angle Needle Valve**

**PolyBag**

Industry No.	Size	Watts Model	Ordering Code	UPC	Bag Qty (# of pieces)	#Inner Carton Qty. (# of bags)	Master Carton Qty. (# of bags)	Master Carton Weight (lbs)	List Price (each)
9103-CP-4-2	1/4" OD Comp. X 1/8" MIP	LFA41	17700068	042805445440	1	5	60	5.43	\$6.41

**No. 9604-CP Ander-Lign Poly Tube to Pipe Saddle Valve with Insert**

**PolyBag**

Industry No.	Size	Watts Model	Ordering Code	UPC	Bag Qty (# of pieces)	#Inner Carton Qty. (# of bags)	Master Carton Qty. (# of bags)	Master Carton Weight (lbs)	List Price (each)
9604-CP-4	1/4" OD Comp. X 1/2", 3/4", or 1" Pipe	LFA50	17700070	042805445464	1	5	60	13.26	\$5.48
9604-CP-6	3/8" OD Comp. X 1/2", 3/4", or 1" Pipe	LFA141	17700107	042805445716	1	5	40	10.74	8.25

\*The wetted surface of this product contacted by consumable water contains less than one quarter of one percent (0.25%) of lead by weight.



**LEAD FREE\***

**Brass Fittings - Shutoff Cocks**

**No. 320-C Tee Handle Back Seating Drain Cock**

**PolyBag**

Industry No.	Size	Watts Model	Ordering Code	UPC	Bag Qty (# of pieces)	#Inner Carton Qty. (# of bags)	Master Carton Qty. (# of bags)	Master Carton Weight (lbs)	List Price
320-C-4	1/4" MIP	LFA2090	17700349	042805447222	1	5	60	3.99	\$4.52

**No. 161-SAE Flare to Female Pipe Shutoff Cock**

**PolyBag**

Industry No.	Size	Watts Model	Ordering Code	UPC	Bag Qty (# of pieces)	#Inner Carton Qty. (# of bags)	Master Carton Qty. (# of bags)	Master Carton Weight (lbs)	List Price (each)
161-SAE-8-8	1/2" Flare X 1/2" FIP	LFA285	17700170	042805445969	1	5	20	8.13	\$15.38

**LEAD FREE\***

**Brass Fittings - Water Meter Adaptor**

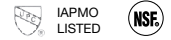
**No. 304 Two Piece Water Meter Adaptor with Washers**

**PolyBag**

Industry No.	Size	Watts Model	Ordering Code	UPC	Bag Qty (# of pieces)	#Inner Carton Qty. (# of bags)	Master Carton Qty. (# of bags)	Master Carton Weight (lbs)	List Price (each)
304-16-12	1" FIP X 3/4" MIP	LFA907	17700333	042805447161	1	2	24	12.46	\$33.48

\*The wetted surface of this product contacted by consumable water contains less than one quarter of one percent (0.25%) of lead by weight.

**Quick-Connect Supply Stop Valves**  
**No Tools, No Solder, No Glue, No Problem!™**



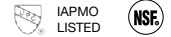
Our revolutionary quick-connect ends work seamlessly with any PEX or CPVC pipe and are available in both angle and straight patterns. Simply snap the stop onto the pipe and its ready to go, no special tools are required and they can easily be removed and reused if needed. Make your installations even quicker with Watts KwikStop® supply stops featuring Watts Quick-Connect Technology.



**Ball Type - Chrome**

Model	Ordering Code/ UPC Code	Description	Qty Per Shelf Pack	Qty Per Carton	Weight Per Carton	List Price (each)
LFQC894A	0147001 042805449356	1/2" CTS x 3/8" OD comp. - angle	32	128	60	\$8.71
LFQC894S	0147002 042805449363	1/2" CTS x 3/8" OD comp. - straight	32	128	72	8.71
LFQC889A	0147003 042805449370	3/8" CTS x 3/8" OD comp. - angle	32	128	38.4	8.71
LFQC889S	0147004	3/8" CTS x 3/8" OD comp. - straight	32	128	38.4	8.71

**Angle Supply Stops - Multi-Turn**



**IPS Inlet**

Model	Ordering Code/ UPC Code	Description	Qty Per Shelf Pack	Qty Per Carton	Weight Per Carton	List Price (each)
LF889 003	0147021 042805444573	3/8" X 3/8" OD comp., chrome plated	-	50	12	\$6.13
LF890 003	0147023 042805449400	1/2" X 3/8" OD comp., chrome plated	-	50	12	6.41
LF890 203	0147026 042805444610	1/2" x 1/2" OD comp., chrome plated	-	50	14	8.99
LF890 303	0147028 042805444627	1/2" x 1/2" and 7/16" OD rubber slip joint, chrome plated	-	50	14	7.74



**Solder Inlet**

LF892 003	0147029 042805449424	1/2" x 3/8" OD compl, chrome plated	-	50	12	6.41
LF892 503	0147033 042805444665	1/2" SW x 3/8" ODC 5" Extension chrome plated angle	-	50	16	17.32



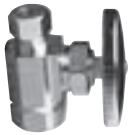
**Compression Inlet**

LF894 001	0147034 042805449431	5/8" x 3/8" OD comp., rough brass angle	-	50	13	6.63
LF894 003	0147035 042805449448	5/8" x 3/8" OD comp., chrome plate angle	-	50	13	6.78
LF894 153	0147038 042805449462	5/8" x 1/4" OD comp., chrome plated angle	-	50	13	13.27
LF894 203	0147039 042805444689	5/8" x 1/2" OD comp., chrome plated angle	-	50	15	9.44
LF894 303	0147040 042805449479	5/8" x 1/2" and 7/16" OD, rubber slip joint angle	-	50	15	8.48



\*The wetted surface of this product contacted by consumable water contains less than one quarter of one percent (0.25%) of lead by weight.

**Straight Flexible Supply Stops - Multi Turn**

**IPS Inlet**


LF890013

Model	Ordering Code/ UPC Code	Description	Qty Per Shelf Pack	Qty Per Carton	Weight Per Carton	List Price (each)
LF889 013	0147022 042805444580	1/2" x 3/8" OD comp., chrome plated	-	50	15	\$10.31
LF890 013	0147025 042805444603	1/2" IPS x 3/8" OD comp., chrome plated straight	-	50	15	7.52

**Solder Inlet**

LF892 013	0147030 042805444634	1/2" S x 3/8" OD comp., chrome plated straight	-	50	15	7.52
-----------	-------------------------	---	---	----	----	------

**Compression Inlet**

LF894 013	0147037 042805449455	5/8" x 3/8" OD comp, chrome plated straight	-	50	15	7.97
-----------	-------------------------	--	---	----	----	------

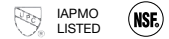
**Solvent Weld Inlet (CPVC)**

LF892 413	0147032 042805444658	5/8" OD CPVC x 3/8" OD comp chrome plate straight	-	50	15	11.57
-----------	-------------------------	--	---	----	----	-------

**Integral Shutoff Straight Valves**


LF895011

Model	Ordering Code/ UPC Code	Description	Qty Per Shelf Pack	Qty Per Carton	Weight Per Carton	List Price (each)
LF895 011	0147041 042805444696	1/2" SD FSW x 1/2" MSW SD RB STR	-	50	12	\$12.16
LF896 011	0147042 042805444702	1/2" SD FIP x 1/2" MIP SD RB STR	-	20	12	12.16

**Quarter - Turn Kwikstop® Supply Stops**

**Straight Ball Type - Chrome**


LFBV890013

Model	Ordering Code/ UPC Code	Description	Qty Per Shelf Pack	Qty Per Carton	Weight Per Carton	List Price (each)
LFBV890013	0147105 042805449493	1/2" IPS x 3/8" OD comp	20	240	72	\$5.90
LFBV894013	0147106 042805449509	5/8" x 3/8" OD comp	20	240	60	6.49

**Angle Ball Type - Chrome**

LFBV890003	0147107 042805444795	1/2" IPS x 3/8" OD comp	20	240	60	5.39
LFBV894003	0147108 042805449516	5/8" x 3/8" OD comp	20	240	72	6.13
LFBV894153	0147124 042805449547	5/8" x 1/4" OD comp	20	240	72	7.60

**3-Way Type - Chrome**


LFBV389003

LFBV389003	0147123 042805454800	1/2" IPS x 3/8" x 3/8" OD	20	240	76	9.36
LFBV389403	0147118 042805449523	5/8" x 3/8" x 3/8" OD	20	240	76	10.18

\*The wetted surface of this product contacted by consumable water contains less than one quarter of one percent (0.25%) of lead by weight.



LFDV389411

**Dual Handle Straight Stops**

**Rough Brass**



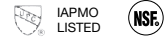
Model	Ordering Code/ UPC Code	Description	Qty Per Shelf Pack	Qty Per Carton	Weight Per Carton	List Price (each)
LFDV38 9411	0147128 042805449561	5/8" OD comp. x 3/8" OD comp. x 3/8" OD comp.	1	50	30	\$24.33



LFDV389400

**Dual Handle Angle Stops**

**Rough Brass**



Model	Ordering Code/ UPC Code	Description	Qty Per Shelf Pack	Qty Per Carton	Weight Per Carton	List Price (each)
LFDV38 9400	0147043 042805449486	5/8" x 3/8" x 3/8" OD	1	50	30	\$23.22
LFDV38 9431	0147044 042805444719	5/8" x 3/8" x 1/4" OD	1	50	30	22.41



LF3890003

**3-Way Angle Flexible Supply Stops**

**Iron pipe size x compression x compression**



Model	Ordering Code/ UPC Code	Description	Qty Per Shelf Pack	Qty Per Carton	Weight Per Carton	List Price (each)
LF389 0001	0147016 042805444535	1/2" x 3/8" x 3/8", rough brass	5	30	9	\$17.19
LF389 0003	0147017 042805444542	1/2" x 3/8" x 3/8", chrome plated	5	30	9	18.87

**Copper solder x compression x compression**

LF389 2001	0147018 042805449394	1/2" x 3/8" x 3/8", rough brass	5	30	10	16.51
------------	-------------------------	---------------------------------	---	----	----	-------

**Compression x compression x compression**

LF389 4001	0147019 042805444559	5/8" x 3/8" x 3/8", rough brass	5	30	12	18.06
LF389 4003	0147020 042805444566	5/8" x 3/8" x 3/8", chrome plated	5	30	12	19.53



LF3894003

\*The wetted surface of this product contacted by consumable water contains less than one quarter of one percent (0.25%) of lead by weight.

**Supply Stops with Loose Key Handles**
**Angle Supply Stops - Multi Turn  
IPS Inlets**

Model	Ordering Code/ UPC Code	Description	Qty Per Shelf Pack	Qty Per Carton	Weight Per Carton	List Price (each)
LF890003LK	0147024 042805444597	1/2" IPS x 3/8" OD Comp., chrome plated, angle loose key	-	50	0.35	\$11.72
LF890203LK	0147027 042805449417	1/2" IPS x 1/2" OD comp., chrome plated, loose key	-	50	0.4	14.30

**Compression Inlet**

LF894003LK	0147036 042805444672	5/8" x 3/8" OD comp, chrome plated, angle loose key	-	50	0.35	12.16
------------	-------------------------	--	---	----	------	-------

**Angle Supply Stops - Quarter-Turn KwikStop**
**Compression Inlet**

LFBV8940LK	0147125 042805449554	5/8" x 3/8" OD chrome plated, angle, loose key	20	240	87.85	11.57
------------	-------------------------	---	----	-----	-------	-------

**Smooth Flexible Supply Tubes**

**Basin supply tubes - 3/8" OD**

Model	Ordering Code/ UPC Code	Description	Qty Per Shelf Pack	Qty Per Carton	Weight Per Carton	List Price (each)
876 001	0141277 042805770184	3/8" x 12", rough brass	-	100	12	\$2.48
876 003	0141280 042805919729	3/8" x 12", chrome plated	-	100	12	3.44
875 003	0141275 042805770177	3/8" x 16", chrome plated	-	100	16	3.79
877 001	0141285 042805770214	3/8" x 20", rough brass	-	100	19	3.79
877 003	0141288 042805919736	3/8" x 20", chrome plated	-	100	19	4.50
878 001	0141293 042805770238	3/8" x 30", rough brass	-	100	28	5.73
878 003	0141294 042805770245	3/8" x 30", chrome plated	-	100	28	9.07
879 001	0141295 042805770252	3/8" x 36", rough brass	-	100	34	7.51
879 003	0141296 042805013366	3/8" x 36", chrome plated	-	100	34	9.36



LF876003

**Basin supply tubes - 1/2" OD**

287 6003	0141249 042805770061	1/2" x 12", chrome plated	-	100	15	4.92
287 7003	0141251 042805770085	1/2" x 20", chrome plated	-	100	25	8.29
287 8001	0141253 042805770092	1/2" x 30", rough brass	-	100	37	9.65

\*The wetted surface of this product contacted by consumable water contains less than one quarter of one percent (0.25%) of lead by weight.

**Flared Flexible Tubes**

**Basin supply tubes**

Model	Ordering Code/ UPC Code	Description	Qty Per Shelf Pack	Qty Per Carton	Weight Per Carton	List Price (each)
F87 7001	0141375 042805779781	3/8" x 20", rough brass	-	100	19	\$5.03

**Special Connection Sink Tubes**


Model	Ordering Code/ UPC Code	Description	Qty Per Shelf Pack	Qty Per Carton	Weight Per Carton	List Price (each)
893 101	0141317 042805770368	3/8" x 12" Delta® supply, swaged one end, rough brass	-	50	6	\$2.37
893 103	0141318 042805770375	3/8" x 12" Delta® supply, swaged one end, chrome plated	-	50	6	3.02
893 201	0141319 042805770382	3/8" x 20" Delta® supply, swaged one end, rough brass	-	50	10	3.79
893 203	0141320 042805770399	3/8" x 20" Delta® supply, swaged one end, chrome plated	-	50	10	4.79
893 251	0141321 042805770405	3/8" x 12" Delta® supply with compression fitting, rough brass	-	50	8	4.09
893 253	0141322 042805770412	3/8" x 12" Delta® supply with compression fitting, chrome plated	-	50	8	4.44
893 351	0141324 042805770429	3/8" x 20" Delta® supply with compression fitting, rough brass	-	50	12	6.28
893 353	0141325 042805770436	3/8" x 20" Delta® supply with compression fitting, chrome plated	-	50	12	6.81



LF893103

**'PEX' Flexible Supply Tubes**
**Basin tubes**

Model	Ordering Code/ UPC Code	Description	Qty Per Shelf Pack	Qty Per Carton	Weight Per Carton	List Price (each)
876 555	0144268 042805818039	3/8" x 12"	-	100	4	\$0.88
875 555	0144264 042805818046	3/8" x 15"	-	100	5	1.07
877 555	0144263 042805818053	3/8" x 20"	-	100	6	1.24
878 555	0144273 042805818060	3/8" x 30"	-	100	9	1.66
879 555	0144274 042805818077	3/8" x 36"	-	100	11	2.01



LF875555

**3/4" Stainless Steel Corrugated Water Heater Connectors**
**Female nut x female nut**

Model	Ordering Code/ UPC Code	Description	Qty Per Shelf Pack	Qty Per Carton	Weight Per Carton	List Price (each)
FFSS12	0148000 042805479469	3/4" x 3/4" x 12" long	25	100	32.19	\$14.52
FFSS15	0148001 042805479476	3/4" x 3/4" x 15" long	25	100	32.19	16.12
FFSS18	0148002 042805479582	3/4" x 3/4" x 18" long	25	100	44.09	17.43
FFSS24	0148003 042805479599	3/4" x 3/4" x 24" long	25	100	52.91	21.00



LFFFSS

\*The wetted surface of this product contacted by consumable water contains less than one quarter of one percent (0.25%) of lead by weight.

**3/4" Copper Corrugated Water Heater Connectors**

**Female nut x female nut**


Model	Ordering Code/ UPC Code	Description	Qty Per Shelf Pack	Qty Per Carton	Weight Per Carton	List Price (each)
FF12	0141948 042805919750	3/4" x 3/4" x 12" long	-	25	11	\$15.29
FF15	0141950 042805919767	3/4" x 3/4" x 15" long	-	25	13	16.97
FF18	0141952 042805919774	3/4" x 3/4" x 18" long	-	25	15	18.34
FF24	0141954 042805919781	3/4" x 3/4" x 24" long	-	25	19	22.11

**Female nut x solder**


FS12	0141965 042805004043	3/4" x 3/4" female solder x 12" long	-	25	9	15.29
FS15	0141966 042805004050	3/4" x 3/4" male and female solder x 15" long	-	25	11	16.97
FS18	0141967 042805004067	3/4" x 3/4" male and female solder x 18" long	-	25	13	18.34
FS24	0141968 042805004074	3/4" x 3/4" male and female solder x 24" long	-	25	17	22.11

**Solder x solder**


SS12	0141976 042805004081	3/4" female solder x 3/4" female solder x 12" long	-	25	7	15.29
SS15	0141977 042805004098	3/4" male and female solder x 3/4" male and female solder x 15" long	-	25	9	16.97
SS18	0141978 042805004104	3/4" male and female solder x 3/4" male and female solder x 18" long	-	25	11	18.34
SS24	0141980 042805004111	3/4" male and female solder x 3/4" male and female solder x 24" long	-	25	15	21.02

**FloodSafe® Braided Stainless Steel Faucet Connectors**


Model	Ordering Code/ UPC Code	Description	Qty Per Shelf Pack	Qty Per Carton	Weight Per Carton	List Price (each)
LFSS3812BSS	0146117 042805485170	FS-SPC12-68	-	25	6.25	\$9.11
LFSS3816BSS	0146118 042805485187	FS-SPC16-68	-	25	7	\$10.00
LFSS3820BSS	0146119 042805485194	FS-SPC20-88	-	25	8	\$10.59

**Quick'N Easy® Braided Stainless Steel Faucet Connectors**

**3/4" OD compression x 1/2" faucet connector**

Model	Ordering Code/ UPC Code	Description	Qty Per Shelf Pack	Qty Per Carton	Weight Per Carton	List Price (each)
LF3812 BSS	0146108 042805485088	12" long	-	50	11	\$3.44
LF3816 BSS	0146111 042805485118	16" long	-	50	12	\$4.15

**1/2" OD compression x 1/2" faucet connector**

LF2212 BSS	0146103 042805484999	12" long	-	50	11	\$3.82
LF2216 BSS	0146104 042805485002	16" long	-	50	12	\$4.64
LF2220 BSS	0146106 042805485026	20" long	-	50	13	\$5.29

\*The wetted surface of this product contacted by consumable water contains less than one quarter of one percent (0.25%) of lead by weight.

**Quick'N Easy® Braided Stainless Steel Faucet Connectors**

**1/2" FIPS x 1/2" faucet connector**


Model	Ordering Code/ UPC Code	Description	Qty Per Shelf Pack	Qty Per Carton	Weight Per Carton	List Price (each)
LF1212 BSS	0146100 042805484968	12" long	-	50	11	\$3.82
LF1216 BSS	0146101 042805484975	16" long	-	50	12	4.64
LF1220 BSS	0146102 042805484982	20" long	-	50	13	5.29

**Quick'N Easy® Braided Stainless Steel Kits w/Multi-Turn Stop**

**1/2" IPS valve inlet connection**


LF389012BS	0147082 042805444733	Muti-Turn, 1/2" IPS x 1/2 faucet x 12" long	-	25	12	8.98
LF389016BS	0147084 042805444740	Muti-Turn, 1/2" IPS x 1/2 faucet x 16" long	-	25	13	9.89
LF389020BS	0147085 042805444757	Muti-Turn, 1/2" IPS x 1/2 faucet x 20" long	-	25	14	10.75

**5/8" OD compression valve inlet connection**

LF389412BS	0147086 042805444764	Muti-Turn, 5/8" OD Comp. x 1/2 faucet x 12" long	-	25	13	9.24
------------	-------------------------	--	---	----	----	------

**Quick'N Easy® Braided Stainless Steel Kits with Quarter-Turn Stop**

LF389416BS	0147088 042805444771	Quarter-Turn, 5/8" OD Comp. x 1/2 faucet x 16" long	-	25	14	10.28
LF389420BS	0147089 042805444788	Quarter-Turn, 5/8" OD Comp. x 1/2 faucet x 20" long	-	25	15	11.08
LF389416BV	0147111 042805444818	Quarter-Turn, 5/8" OD Comp. x 1/2" female connection x 16" long	-	25	12	10.87
LF389420BV	0147112 042805444825	Quarter-Turn, 5/8" OD Comp. x 1/2" female connection x 20" long	-	25	12	11.27

\*The wetted surface of this product contacted by consumable water contains less than one quarter of one percent (0.25%) of lead by weight.

### Quick'N Easy® Braided Stainless Steel Faucet Connectors

#### 3/8" OD flare x 1/2" faucet connector



LF382 0BSS	0146113 042805485132	20" long	-	50	13	\$4.69
------------	-------------------------	----------	---	----	----	--------

#### 3/8" OD compression x 3/8" copper tube Delta® connector

LF381 2SSD	0146109 042805485095	12" long	-	50	11	\$4.26
------------	-------------------------	----------	---	----	----	--------

LF382 0SSD	0146114 042805485149	20" long	-	50	13	\$5.84
------------	-------------------------	----------	---	----	----	--------



LF3812SSD

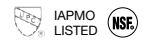
#### 3/8" OD compression x 3/8" OD compression

LF381 2WSS	0146116 042805485163	12" long	-	50	11	\$3.22
------------	-------------------------	----------	---	----	----	--------

LF382 0WSS	0146115 042805485156	20" long	-	50	13	\$4.69
------------	-------------------------	----------	---	----	----	--------

### Quick'N Easy® Braided Nylon Faucet Connectors

#### 3/8" OD compression x 1/2" faucet connector



LF381 2B	0146107 042805485033	3/8 x 12 QCK JBK C12-68CP	-	50	7	\$2.40
----------	-------------------------	---------------------------	---	----	---	--------

LF381 6B	0146110 042805485101	3/8 x 16 QCK JBK C16-68CP	-	50	8	\$2.51
----------	-------------------------	---------------------------	---	----	---	--------

LF382 0B	0146112 042805485125	3/8 x 20 QCK JBK C20-68CP	-	50	9	\$2.78
----------	-------------------------	---------------------------	---	----	---	--------



LF3812B

#### 1/2" OD compression x 1/2" faucet connector

LF222 0B	0146105 042805485019	1/2 -OD JBULK C20-88CP	-	50	9	\$3.17
----------	-------------------------	------------------------	---	----	---	--------

### Single Handle Washerless Lavatory Faucets



LFE200

Model	Ordering Code/ UPC Code	Description	Qty Per Shelf Pack	Qty Per Carton	Weight Per Carton	List Price (each)
LFE200	0147129 042805444832	Metal loop handle with chrome plated pop-up	1	6	22	\$74.34

### Double Handle Washerless Lavatory Faucets



LFE300

LFE300M	0147137 042805444870	Metal lever handles with chrome plated pop-up	1	6	23	\$70.27
---------	-------------------------	--	---	---	----	---------

### Single Handle Washerless Kitchen Faucets - Brass "D" Spout



LFE400

LFE400	0147130 042805444849	Metal loop handle less spray	1	6	21	\$68.85
--------	-------------------------	------------------------------	---	---	----	---------

\*The wetted surface of this product contacted by consumable water contains less than one quarter of one percent (0.25%) of lead by weight.



C000790

MODEL	ORDERING CODE	COLOR	I.D.	O.D.	WALL	LENGTH FT/COIL	WORKING PRESSURE (psi @ 70°F)	QTY	WEIGHT EACH	LIST PRICE
-------	---------------	-------	------	------	------	----------------	-------------------------------	-----	-------------	------------

### Bulk Open Coil

C1001	C003141	Clear	1/16	1/8	1/32	500	55	1	2.4	\$38.91
C1002	C003142	Clear	1/8	3/16	1/32	500	55	1	4.1	44.81
C1003-500	C000774	Clear	1/8	1/4	1/16	500	55	1	9.8	63.82
C1004-500	C000784	Clear	3/16	5/16	1/16	500	55	1	13.0	77.52
C1004-1	C003143	Clear	3/16	1/4	1/32	500	55	1	5.6	58.17
C1005	C003144	Clear	3/16	7/16	1/8	500	55	1	32.5	143.46
C1006-500	C000790	Clear	1/4	3/8	1/16	500	55	1	16.0	85.53
C1007	C003145	Clear	1/4	7/16	3/32	500	55	1	26.9	129.54
C1008	C003146	Clear	1/4	1/2	1/8	500	55	1	38.9	168.04
C1010	C003147	Clear	5/16	1/2	3/32	500	55	1	31.7	152.75
C1010-1	C003148	Clear	5/16	9/16	1/8	500	55	1	45.4	197.60
C1011-500	C001322	Clear	3/8	1/2	1/16	500	45	1	22.7	102.16
C1012-500	C000823	Clear	3/8	9/16	3/32	500	55	1	36.6	183.56
C1013	C003149	Clear	3/8	5/8	1/8	250	55	1	26.0	107.57
C1014	C003150	Clear	7/16	9/16	1/16	250	45	1	13.0	68.81
C1015	C003151	Clear	7/16	5/8	3/32	250	50	1	20.7	95.41
C1015-1	C003152	Clear	7/16	11/16	1/8	250	55	1	29.3	124.72
C1016	C003153	Clear	1/2	5/8	1/16	250	45	1	14.6	68.75
C1016-1-250	C001494	Clear	1/2	11/16	3/32	250	50	1	23.2	88.64
C1017-250	C001109	Clear	1/2	3/4	1/8	250	55	1	32.5	144.04
C1018	C003154	Clear	11/16	7/8	3/32	250	35	1	30.5	139.43
C1019	C003155	Clear	9/16	13/16	1/8	250	45	1	35.8	159.80
C1019-1	C003156	Clear	9/16	3/4	3/32	250	50	1	25.8	132.24
C1020	C003157	Clear	5/8	3/4	1/16	250	30	1	17.9	87.06
C1021	C003158	Clear	5/8	13/16	3/32	250	45	1	28.0	134.81
C1022	C003159	Clear	5/8	7/8	1/8	250	40	1	39.0	175.84
C1023	C003160	Clear	3/4	7/8	1/16	100	30	1	84.3	45.15
C1023-1	C003161	Clear	3/4	15/16	3/32	100	35	1	13.2	61.38
C1024-100	C001316	Clear	3/4	1	1/8	100	35	1	18.2	79.79
C1025	C001163	Clear	7/8	1 1/8	1/8	100	30	1	21.0	94.59
C1026-100	C001317	Clear	1	1 1/4	1/8	100	25	1	23.4	113.02
C1026-1	C003162	Clear	1	1 3/16	3/32	100	25	1	17.2	78.96
C1027	C000875	Clear	1 1/4	1 3/4	1/4	50	25	1	31.5	117.30
C1027-1	C000876	Clear	1 1/4	1 5/8	3/16	50	25	1	22.5	97.43
C1027-2	C000878	Clear	1 1/4	1 1/2	1/8	50	25	1	14.3	55.95
C1028	C001245	Clear	1 1/2	2	1/4	50	25	1	36.3	137.07
C1029	C000881	Clear	1 1/2	1 7/8	3/16	50	25	1	40.2	109.99

### Coil Packaged in a Cardboard Box

C1001A	C001142	Clear	1/16	1/8	1/32	500	55	1	3.4	\$54.01
C1002A	C000771	Clear	1/8	3/16	1/32	500	55	1	5.1	59.10
C1003A	C000775	Clear	1/8	1/4	1/16	100	55	1	3.0	15.51
C1004A	C000785	Clear	3/16	5/16	1/16	100	55	1	3.6	20.07
C1004-1A	C000781	Clear	3/16	1/4	1/32	100	55	1	2.1	14.47
C1005A	C000789	Clear	3/16	7/16	1/8	100	55	1	7.5	33.10
C1006A	C000791	Clear	1/4	3/8	1/16	100	55	1	4.2	21.09
C1007A	C000800	Clear	1/4	7/16	3/32	100	55	1	6.4	28.44
C1008A	C000801	Clear	1/4	1/2	1/8	100	55	1	7.8	36.01
C1009A	C000805	Clear	5/16	7/16	1/16	100	50	1	4.9	23.25
C1010A	C000811	Clear	5/16	1/2	3/32	100	55	1	7.3	33.24
C1010-1A	C000810	Clear	5/16	9/16	1/8	100	55	1	10.1	43.28



C000801

\*The wetted surface of this product contacted by consumable water contains less than one quarter of one percent (0.25%) of lead by weight.

MODEL	ORDERING CODE	COLOR	I.D.	O.D.	WALL	LENGTH FT/COIL	WORKING PRESSURE (psi @ 70°F)	QTY	WEIGHT EACH	LIST PRICE
<b>Coil Packaged in a Cardboard Box</b>										
C1011A	C000815	Clear	3/8	1/2	1/16	100	45	1	5.5	\$25.36
C1012A	C000824	Clear	3/8	9/16	3/32	100	55	1	8.3	41.18
C1013A	C000827	Clear	3/8	5/8	1/8	100	55	1	11.4	47.28
C1014A	C000829	Clear	7/16	9/16	1/16	100	45	1	6.2	29.57
C1015A	C000831	Clear	7/16	5/8	3/32	100	50	1	9.3	41.18
C1015-1A	C000830	Clear	7/16	11/16	1/8	100	55	1	12.7	51.71
C1016A	C000834	Clear	1/2	5/8	1/16	100	45	1	6.8	29.92
C1016-1A	C000833	Clear	1/2	11/16	3/32	100	50	1	10.3	40.07
C1017A	C000841	Clear	1/2	3/4	1/8	100	55	1	14.0	61.61
C1018A	C003163	Clear	11/16	7/8	3/32	100	35	1	13.2	60.55
C1019A	C003164	Clear	9/16	13/16	1/8	100	45	1	15.3	66.86
C1019-1A	C000844	Clear	9/16	3/4	3/32	100	50	1	11.3	55.84
C1020A	C000845	Clear	5/8	3/4	1/16	100	30	1	8.1	37.02
C1021A	C000851	Clear	5/8	13/16	3/32	100	45	1	12.2	58.73
C1022A	C000852	Clear	5/8	7/8	1/8	100	40	1	16.6	74.42
C1023A	C000858	Clear	3/4	7/8	1/16	100	30	1	15.1	48.48
C1023-1A	C000855	Clear	3/4	15/16	3/32	100	35	1	14.2	64.71
C1024A	C000861	Clear	3/4	1	1/8	100	35	1	19.2	83.12
C1025A	C001116	Clear	7/8	1 1/8	1/8	100	30	1	22.0	98.93
C1026A	C000869	Clear	1	1 1/4	1/8	100	25	1	24.4	117.31
C1026-1A	C000868	Clear	1	1 3/16	3/32	100	25	1	18.2	80.67


**43132400**
**E-Z Dispenser Boxes**

XVDC	43132100	Clear	1/8	3/16	1/32	100	55	1	1.4	\$12.38
XVEC	43132200	Clear	1/8	1/4	1/16	100	55	1	3.1	16.18
XVFD	43132300	Clear	3/16	5/16	1/16	100	55	1	3.2	18.35
XVGE	43132400	Clear	1/4	3/8	1/16	100	55	1	3.9	21.27
XVHF	43132500	Clear	5/16	7/16	1/16	100	50	1	5.2	23.66
XVIF	43132600	Clear	5/16	1/2	3/32	100	55	1	7.1	34.35
XVIG	43132640	Clear	3/8	1/2	1/16	100	45	1	5.5	25.83
XVJG	43132641	Clear	3/8	9/16	3/32	100	55	1	11.0	42.47
XVKI	43132700	Clear	1/2	5/8	1/16	100	45	1	6.4	33.43
XVLI	43132800	Clear	1/2	3/4	1/8	100	55	1	7.2	62.05
XVMK	43132900	Clear	5/8	7/8	1/8	100	40	1	9.0	75.72
XVNL	43132950	Clear	3/4	1	1/8	50	35	1	12.1	49.55
XVPN	43132951	Clear	1	1 1/4	1/8	50	25	1	13.9	59.56


**C000850**
**Dispenser Spools**

C1001SC-400	C001471	Clear	1/16	1/8	1/32	400	55	1	2.9	35.94
C1002SC-300	C001472	Clear	1/8	3/16	1/32	300	55	1	3.4	38.78
C1003SC-500	C000779	Clear	1/8	1/4	1/16	500	55	1	10.8	84.95
C1004SC-300	C001143	Clear	3/16	5/16	1/16	300	55	1	8.8	62.05
C1006SC-250	C001459	Clear	1/4	3/8	1/16	250	55	1	9.0	56.79
C1009SC-275	C000809	Clear	5/16	7/16	1/16	275	50	1	11.7	67.04
C1011SC-230	C000821	Clear	3/8	1/2	1/16	230	45	1	11.4	61.16
C1016SC-100	C001463	Clear	1/2	5/8	1/16	100	45	1	6.8	34.16
C1020SC-100	C000850	Clear	5/8	3/4	1/16	100	30	1	8.1	40.63
C1024SC-50	C001162	Clear	3/4	1	1/8	50	35	1	10.1	49.95
C1026SC-40	C000874	Clear	1	1 1/4	1/8	40	25	1	10.4	48.16

\*The wetted surface of this product contacted by consumable water contains less than one quarter of one percent (0.25%) of lead by weight.

MODEL	ORDERING CODE	COLOR	I.D.	O.D.	WALL	LENGTH FT/COIL	WORKING PRESSURE (psi @ 70°F)	QTY	WEIGHT EACH	LIST PRICE
-------	---------------	-------	------	------	------	----------------	-------------------------------	-----	-------------	------------

**Bulk Open Coil**

**C000746**

B5000-300	C001086	Clear	3/16	3/8	3/32	300	250	1	13.2	\$88.64
B5001-300	C000738	Clear	1/4	1/2	1/8	300	250	1	16.2	110.85
B5011-300	C000767	Clear	5/16	17/32	7/64	300	225	1	23.1	121.88
B5002	C000742	Clear	3/8	5/8	1/8	100	225	1	8.8	51.09
B5003	C000746	Clear	1/2	3/4	1/8	100	200	1	12.9	59.52
B5004	C000750	Clear	5/8	7/8	1/8	100	175	1	15.7	69.93
B5005	C000753	Clear	3/4	1	1/8	100	150	1	20.7	79.67
B5006	C000759	Clear	1	1 1/8	3/16	100	125	1	28.6	153.82
B5007	C000761	Clear	1 1/4	1 3/4	1/4	50	100	1	22.4	136.86
B5008	C000762	Clear	1 1/2	2	1/4	50	75	1	31.3	154.86
B5009	C000764	Clear	2	2 5/8	1/4	50	70	1	46.8	207.52

**Coil in Cardboard Box**

**C000745**

B5000A	C003167	Clear	3/16	3/8	3/32	100	250	1	5.4	33.24
B5001A	C000739	Clear	1/4	1/2	1/8	100	250	1	6.4	41.96
B5011A	C003168	Clear	5/16	17/32	7/64	100	225	1	8.7	42.84
B5002A	C000745	Clear	3/8	5/8	1/8	100	225	1	9.8	52.26
B5003A	C001137	Clear	1/2	3/4	1/8	100	200	1	13.9	63.16
B5004A	C003169	Clear	5/8	1/2	1/8	100	175	1	16.7	72.86
B5005A	C003170	Clear	3/4	1	1/8	100	150	1	21.7	83.03
B5006A	C001141	Clear	1	1 1/8	3/16	100	125	1	29.6	158.82

**E-Z Dispenser Boxes**

**43133200**

XBVIE	43133200	Clear	1/4	1/2	1/8	100	250	1	8.4	38.88
XBVKG	43133400	Clear	3/8	5/8	1/8	100	225	1	11.5	53.55
XBVLI	43133600	Clear	1/2	3/4	1/8	100	200	1	14.0	64.64
XBVMK	43133700	Clear	5/8	7/8	1/8	100	175	1	15.8	74.00
XBVNL	43133850	Clear	3/4	1	1/8	50	150	1	20.0	44.74
XBVQN	43133950	Clear	1	1 1/8	3/16	50	125	1	23.0	82.29

**Dispenser Spools**

**C001136**

B5001SC-200	C000741	Clear	1/4	1/2	1/8	200	250	1	11.8	80.69
B5002SC-150	C001136	Clear	3/8	5/8	1/8	150	225	1	14.2	81.44
B5003SC-75	C001138	Clear	1/2	3/4	1/8	100	200	1	13.9	65.74
B5004SC-75	C001139	Clear	5/8	7/8	1/8	75	175	1	12.8	57.48

\*The wetted surface of this product contacted by consumable water contains less than one quarter of one percent (0.25%) of lead by weight.


**C000954**

MODEL	ORDERING CODE	COLOR	I.D.	O.D.	WALL	LENGTH FT/COIL	WORKING PRESSURE (psi @ 70°F)	QTY	WEIGHT EACH	LIST PRICE
<b>Bulk Open Coils</b>										
P2001-500	C001527	White	1/16	1/8	1/32	500	140	1	1.8	\$38.78
P2002	C003175	White	1/8	3/16	1/32	500	140	1	3.1	49.86
P2003-500	C000954	White	.170	1/4	.040	500	140	1	5.3	59.10
P2004	C003176	White	1/8	1/4	1/16	500	130	1	7.4	61.87
P2005	C003177	White	3/16	5/16	1/16	500	130	1	9.8	70.18
P2006-500	C000980	White	1/4	3/8	1/16	500	120	1	12.2	96.95
P2007-500	C000992	White	3/8	1/2	1/16	500	100	1	17.1	116.34
P2008	C003178	White	1/2	5/8	1/16	250	85	1	11.0	65.10
P2009-250	C001009	White	3/8	5/8	1/8	250	100	1	19.6	96.03
P2010-250	C001346	White	5/8	3/4	1/16	250	60	1	13.4	98.80
P2011-250	C001012	White	1/2	3/4	1/8	250	70	1	24.5	101.57
P2012	C003179	White	3/4	7/8	1/16	100	60	1	6.4	43.03
P2013-100	C001111	White	5/8	7/8	1/8	100	70	1	11.7	57.25
P2014	C003180	White	7/8	1	1/16	100	45	1	7.3	64.64
P2015	C001013	White	3/4	1	1/8	100	70	1	13.7	69.81
P2016	C001014	White	1	1 1/4	1/8	100	60	1	17.6	89.75


**C000970**

MODEL	ORDERING CODE	COLOR	I.D.	O.D.	WALL	LENGTH FT/COIL	WORKING PRESSURE (psi @ 70°F)	QTY	WEIGHT EACH	LIST PRICE
<b>Cardboard Boxes</b>										
P2003A	C000955	White	.170	1/4	.040	100	140	1	2.1	13.11
P2004A	C000970	White	1/8	1/4	1/16	100	130	1	2.5	14.77
P2005A	C001467	White	3/16	5/16	1/16	100	130	1	3.0	18.47
P2006A-100	C001290	White	1/4	3/8	1/16	100	120	1	3.4	22.16
P2007A	C000994	White	3/8	1/2	1/16	100	100	1	4.4	25.30


**43131300**

MODEL	ORDERING CODE	COLOR	I.D.	O.D.	WALL	LENGTH FT/COIL	WORKING PRESSURE (psi @ 70°F)	QTY	WEIGHT EACH	LIST PRICE
<b>E-Z Dispenser Boxes</b>										
XPEB	43131200	White	.170	1/4	.040	100	140	1	1.4	13.85
XPFD	43131300	White	3/16	5/16	1/16	100	130	1	2.3	20.31
XPGE	43131400	White	1/4	3/8	1/16	100	120	1	2.6	24.01
XPIG	43131600	White	3/8	1/2	1/16	100	100	1	4.0	26.78
XPKI	43131800	White	1/2	5/8	1/16	100	85	1	6.0	30.14


**C000965**

MODEL	ORDERING CODE	COLOR	I.D.	O.D.	WALL	LENGTH FT/COIL	WORKING PRESSURE (psi @ 70°F)	QTY	WEIGHT EACH	LIST PRICE
<b>Dispenser Spools</b>										
P2003SC-500	C000965	White	.170	1/4	.040	500	140	1	6.3	64.64
P2004SC-500	C000972	White	1/8	1/4	1/16	500	130	1	8.4	78.49
P2005SC-500	C000978	White	3/16	5/16	1/16	500	130	1	10.8	94.18
P2006SC-500	C000988	White	1/4	3/8	1/16	500	120	1	13.2	114.50
P2007SC-500	C001001	White	3/8	1/2	1/16	500	100	1	18.1	122.81

\*The wetted surface of this product contacted by consumable water contains less than one quarter of one percent (0.25%) of lead by weight.

**Series 07F**
**Single Check Valves**
**Sizes 4" - 10"**
**07F Repair Kits**

When ordering specify Ordering Code, Kit No., and Valve Size.

Ordering Code	Kit No.	Size	List price (each)
---------------	---------	------	-------------------

**Rubber Parts Kits**

0887105	RK 07F RT	4"	\$360.43
0887106	RK 07F RT	6"	597.12
0887107	RK 07F RT	8"	907.38
0887104	RK 07F RT	10"	1278.87

Kit consists of: cover O-ring, bolt O-ring, disc and bracket.

**Check Kits**

0887108	RK 07F CK4	4"	408.79
0887109	RK 07F CK4	6"	754.91
0887110	RK 07F CK4	8"	1322.02
0887117	RK 07F CK4	10"	1941.59

Kit consists of: spring assembly and cover O-ring.

**Total Repair Kits**

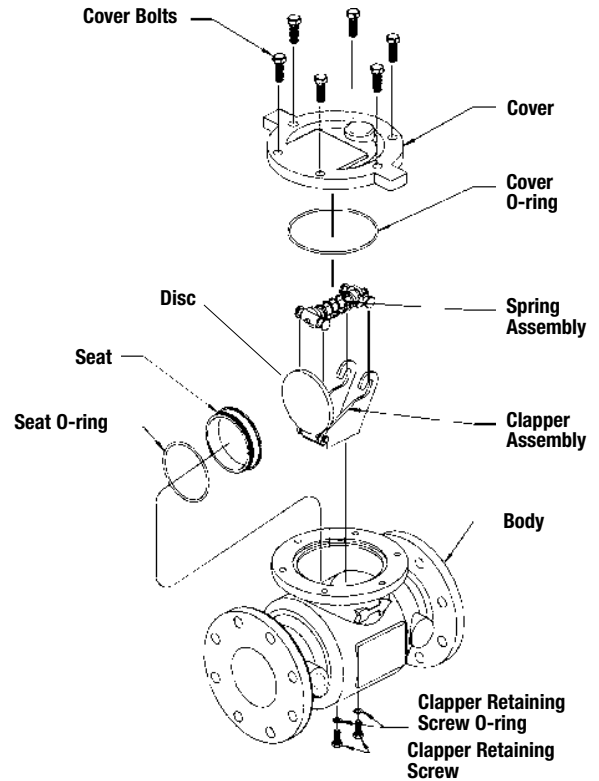
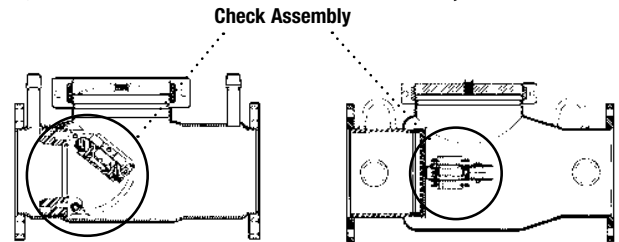
0887114	RK 07F T	4"	512.90
0887115	RK 07F T	6"	917.70
0887116	RK 07F T	8"	1527.05
0887119	RK 07F T	10"	2226.58

Kit consists of: spring assembly, disc and bracket, bolt O-rings and cover O-ring.

**SS07F Repair Kits**
**Check Kits**

0888940	RK SS07F CK	4"	\$545.41
0888941	RK SS07F CK	6"	684.52
0888942	RK SS07F CK	8", 10"	787.15

Kit consists of: complete check assembly.

**4" - 10" 07F**

**4", 6" SS07F**
**8", 10" SS07F**


### Series 007, LF007

#### Double Check Valve Assemblies

Sizes 1/2" - 2"

#### Repair Kits

When ordering specify Ordering Code, Kit No., and Valve Size.

Ordering Code	Kit No.	Size	List price (each)
---------------	---------	------	-------------------

#### Check Kits: 1st or 2nd Check

0887193	RK 007 CK4	1/2"	\$33.14
0887377	RK SS007 CK4	1/2"	33.14
0887373	RK SS007M1 CK4	1"	47.88
0887026	RK 007M1 CK4	3/4" - 1"	47.88

#### 1st Check

0887045	RK 007M2 CK1	3/4"	23.30
0888550	RK 007M3 CK1	3/4"	22.13
0887393	RK SS007M2 CK1	3/4"	23.30
0888070	RK SS007M3 CK1	1/2" - 3/4"	23.30
0887023	RK 007 CK1	3/4" - 1"	49.74
0887025	RK 007 CK1	1 1/2" - 2"	97.36
0887186	RK 007M1 CK1	1 1/2" - 2"	93.84
0887719	RK 007M2 CK1	1 1/4" - 1 1/2"	91.98

#### 2nd Check

0887046	RK 007M2 CK2	3/4"	23.30
0888551	RK 007M3 CK2	3/4"	22.13
0888071	RK SS007M3 CK2	1/2" - 3/4"	23.30
0887024	RK 007 CK2	3/4" - 1"	49.74
0887028	RK 007 CK2	1 1/2" - 2"	97.36
0887187	RK 007M1 CK2	1 1/2" - 2"	93.84
0887720	RK 007M2 CK2	1 1/4" - 1 1/2"	91.98

#### Stainless Steel 1st or 2nd Check

0887022	RK 007 CK1 SS	3/4" - 1"	171.41
0887030	RK 007 CK2 SS	3/4" - 1"	171.41
0887032	RK 007M1 CK4 SS	3/4" - 1"	164.87
0887031	RK 007 CK1 SS	1 1/2" - 2"	240.89
0887035	RK 007 CK2 SS	1 1/2" - 2"	240.89
0887189	RK 007M1 CK1 SS	1 1/2" - 2"	231.74
0887190	RK 007M1 CK2 SS	1 1/2" - 2"	231.74

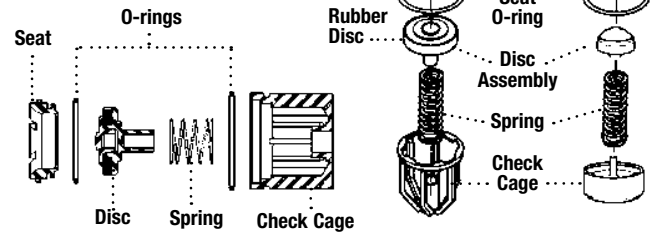
Kit consists of: seat; seat O-ring; disc assembly; spring; check cage; cover O-ring.

#### Cover Kit

0887195	RK 007 C	1/2"	49.26
0887379	RK SS007 C	1/2"	140.66
0888073	RK SS007M3 C	1/2" - 3/4"	156.67
0887380	RK SS007M2 C	3/4"	156.67
0887381	RK SS007M1 C	1"	227.43
0887191	RK 007M1 C	1 1/2" - 2"	123.53
0887722	RK 007M2 C	1 1/4" - 1 1/2"	109.22
0794004	LFRK 007M3 C	3/4"	69.54
0794005	LFRK 007M1 C	3/4" - 1"	105.85

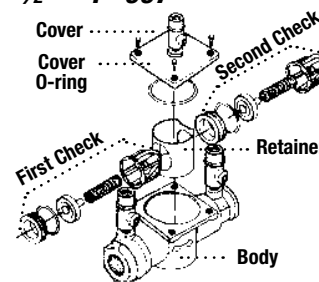
Kit consists of: cover and cover O-ring.

### 3/4" 007M3 Check Assembly

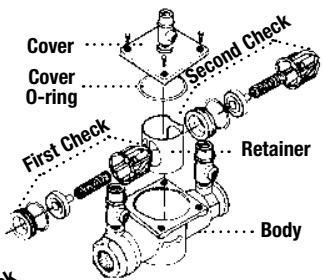


\*Note: Rubber seat disc can be replaced. However, disc holder and disc retainer are permanently bonded to prevent failure.

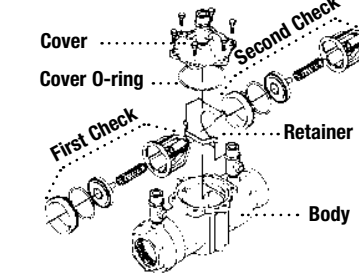
### 1/2" - 1" 007



### 1/4" - 1 1/2" 007M2



### 2" 007M1



Ordering Code	Kit No.	Size	List price (each)
---------------	---------	------	-------------------

#### Complete Rubber Parts

0887194	RK 007 RT	1/2"	\$20.16
0887378	RK SS007 RT	1/2"	20.16
0888072	RK SS007M3 RT	1/2" - 3/4"	20.16
0887394	RK SS007M2 RT	3/4"	20.16
0887043	RK 007M2 RT	3/4"	20.16
0888552	RK 007M3 RT	3/4"	19.21
0887374	RK SS007M1 RT	1"	20.16
0887040	RK 007 RT	3/4" - 1"	20.85
0887042	RK 007M1 RT	3/4" - 1"	20.16
0887041	RK 007 RT	1 1/2" - 2"	62.46
0887188	RK 007M1 RT	1 1/2" - 2"	28.09
0887721	RK 007M2 RT	1 1/4" - 1 1/2"	28.09

Kit consists of: cover O-ring; 2 disc assemblies and 2 seat O-rings.

\*The wetted surface of this product contacted by consumable water contains less than one quarter of one percent (0.25%) of lead by weight.

**Series 007, LF007, 007DCDA**  
**Double Check Valve Assemblies**  
**Double Check Detector Assemblies**  
**Sizes 2" - 3"**  
**Repair Kits**

When ordering specify Ordering Code, Kit No., and Valve Size.

Ordering Code	Kit No.	Size	List price (each)
---------------	---------	------	-------------------

**First Check Kit**

0887980	RK 007DCDA CK1	2"	\$98.90
0794006	LFK 007 CK1	2½", 3"	528.86

Kit consists of: seat, seat O-ring, disc assembly, spring, spring retainer, check cage and cover O-ring.

**Second Check Kit**

0794008	LFK 007 CK2	2½", 3"	503.66
---------	-------------	---------	--------

Kit consists of: seat, seat O-ring, disc assembly, spring, spring retainer, check cage and cover O-ring.

**Complete Rubber Parts**

0887982	RK 007DCDA RT	2"	26.60
0887287	RK 007 RT	2½", 3"	211.31
0887967	RK 007DCDA RT	2½", 3"	211.31

Kit consists of: 2 seat discs, 2 seat O-rings, and cover O-ring.

**Cover Kit**

0887983	RK 007DCDA C	2"	117.57
0887288	RK 007 C	2½", 3"	323.19
0887970	RK 007DCDA C	2½", 3"	323.72

Kit consists of: cover, cover O-ring.

**Seat Kit**

0887984	RK 007DCDA S1	2"	74.75
0887985	RK 007DCDA S2	2"	74.75
0887289	RK 007 S1	2½", 3"	80.23
0887290	RK 007 S2	2½", 3"	80.23
0887968	RK 007DCDA S1	2½", 3"	80.23
0887969	RK 007DCDA S2	2½", 3"	80.23

Kit consists of: seat, seat O-ring and cover O-ring.

**Series 709**  
**Double Check Valve Assemblies**  
**Sizes ¾" - 2"**  
**Repair Kits**

When ordering specify Ordering Code, Kit No., and Valve Size.

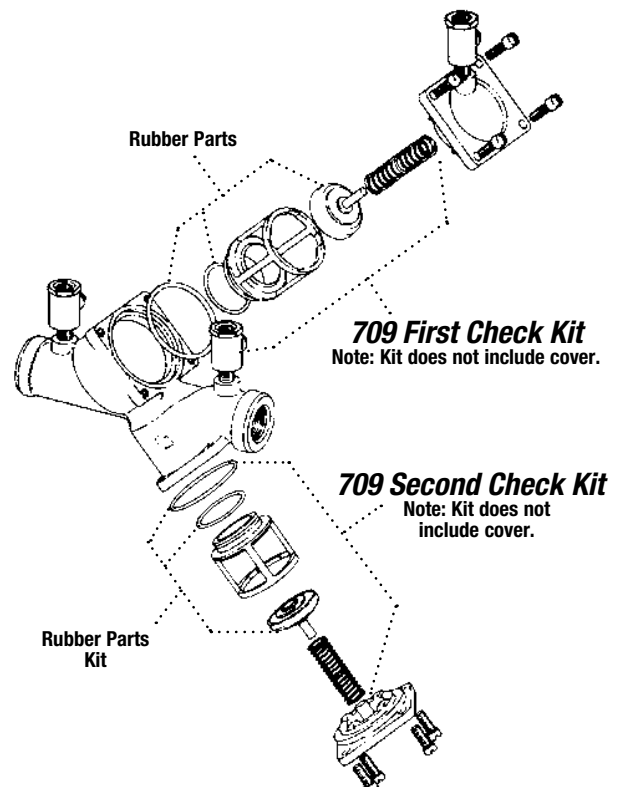
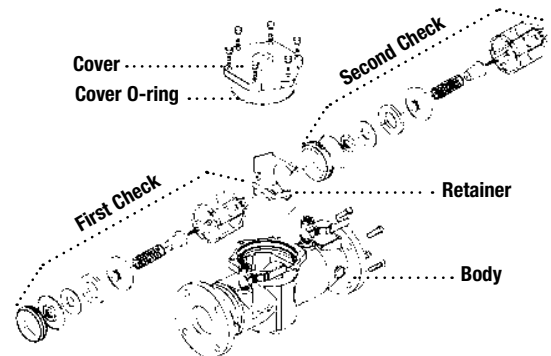
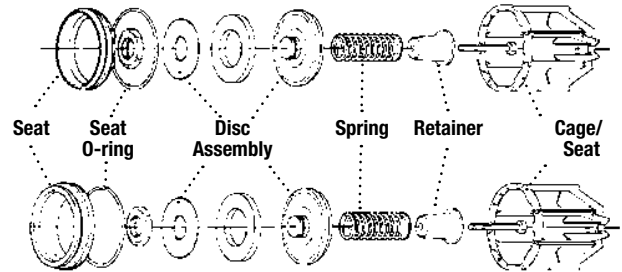
Ordering Code	Kit No.	Size	List price (each)
---------------	---------	------	-------------------

**Complete Rubber Parts**

0887152	RK 709 RT	¾" - 1"	\$12.71
---------	-----------	---------	---------

Kit consists of: disc assembly; seat O-ring and cover O-ring.

**Check Assemblies**



\*The wetted surface of this product contacted by consumable water contains less than one quarter of one percent (0.25%) of lead by weight.

**Series 709, LF709**

**Double Check Valve Assemblies**

Sizes 2½" – 10"

**Repair Kits**

When ordering specify Ordering Code, Kit No., and Valve Size.

Ordering Code	Kit No.	Size	List price (each)
---------------	---------	------	-------------------

**First or Second Check Kits**

0794014	LFRK 709 CK4	2½" – 3"	\$423.64
0794015	LFRK 709 CK4	4"	691.23
0794016	LFRK 709 CK4	*6"	1194.10
0794017	LFRK 709 CK4	8"	2185.69
0794018	LFRK 709 CK4	10"	2942.82

Kit consists of: disc & spring assembly and cover O-ring.

**Rubber Parts (for one check)**

0887905	RK 709 RC4	2½" – 3"	58.52
0887906	RK 709 RC4	4"	78.26
0887907	RK 709 RC4	*6"	89.22
0887908	RK 709 RC4	8"	107.89
0887909	RK 709 RC4	10"	147.90

Kit consists of: disc and cover O-ring.

**Complete Rubber Parts**

0887915	RK 709 RT	2½" – 3"	117.20
0887916	RK 709 RT	4"	156.41
0887917	RK 709 RT	*6"	178.38
0887918	RK 709 RT	8"	216.10
0887919	RK 709 RT	10"	295.63

Kit consists of: 2 discs and 2 cover O-rings.

**Seat Kits**

0794019	LFRK 709S	2½" – 3"	169.59
0794020	LFRK 709S	4"	248.67
0794021	LFRK 709S	6"	428.25
0794022	LFRK 709S	8"	1023.88
0794023	LFRK 709S	10"	1196.09

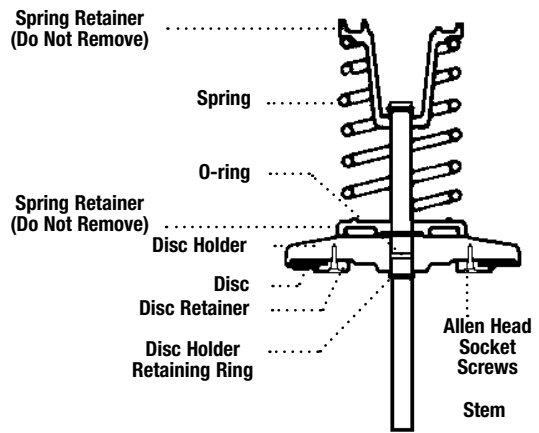
Kit consists of: seat; seat O-ring; cover O-ring and retainer wire.

**Cover Kits**

0887920	RK 709 C	2½" – 3"	203.22
0887921	RK 709 C	4"	227.86
0887922	RK 709 C	6"	318.24
0887923	RK 709 C	8"	522.42
0887924	RK 709 C	10"	1171.62

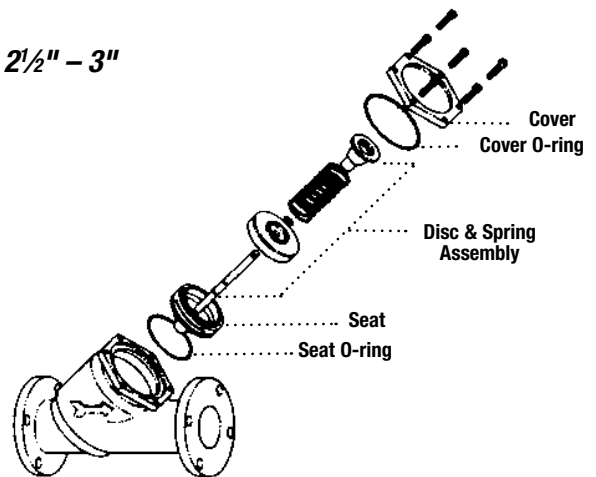
Kit consists of: cover and cover O-ring.

\*6" also includes upper and lower stem O-ring

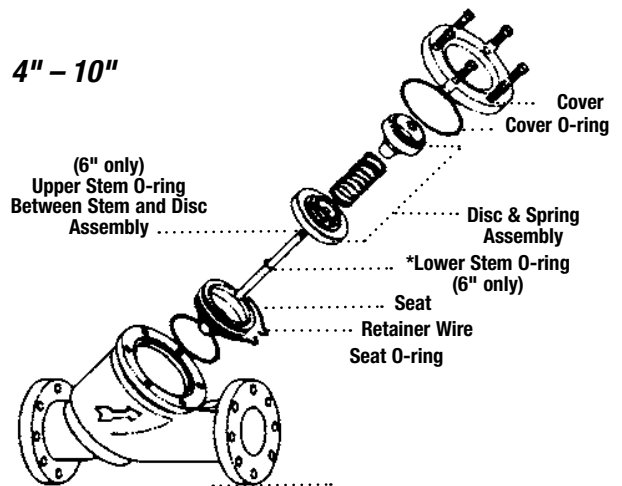


**\*WARNING:**  
Spring assembly is factory assembled.  
DO NOT DISASSEMBLE.

**2½" – 3"**



**4" – 10"**



\*The wetted surface of this product contacted by consumable water contains less than one quarter of one percent (0.25%) of lead by weight.

### Series 709DCDA

#### Double Check Detector Assemblies

Sizes 3" - 10"

#### Repair Kits

When ordering specify Ordering Code, Kit No., and Valve Size.

Ordering Code	Kit No.	Size	List price (each)
---------------	---------	------	-------------------

#### Rubber Parts (for one check)

0887940	RK 709DCDA RC4	3"	\$58.52
0887941	RK 709DCDA RC4	4"	78.26
0887942	RK 709DCDA RC4	*6"	89.22
0887943	RK 709DCDA RC4	8"	107.89
0887944	RK 709DCDA RC4	10"	147.90

Kit consists of: disc and cover O-ring.

\*6" also includes lower stem O-ring

#### Cover Kits

0887950	RK 709DCDA C	3"	207.16
0887951	RK 709DCDA C	4"	232.27
0887952	RK 709DCDA C	6"	324.52
0887953	RK 709DCDA C	8"	532.48
0887954	RK 709DCDA C	10"	1194.39

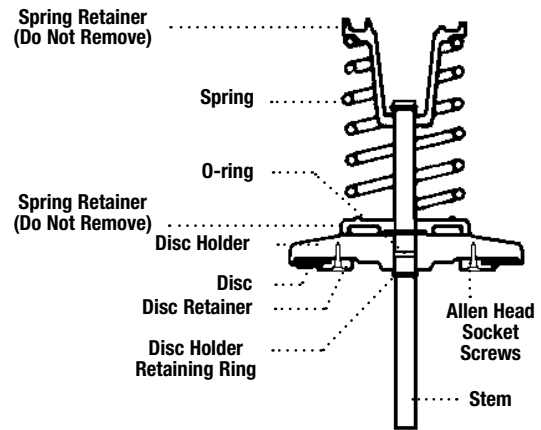
Kit consists of: cover and cover O-ring.

#### Complete Rubber Parts

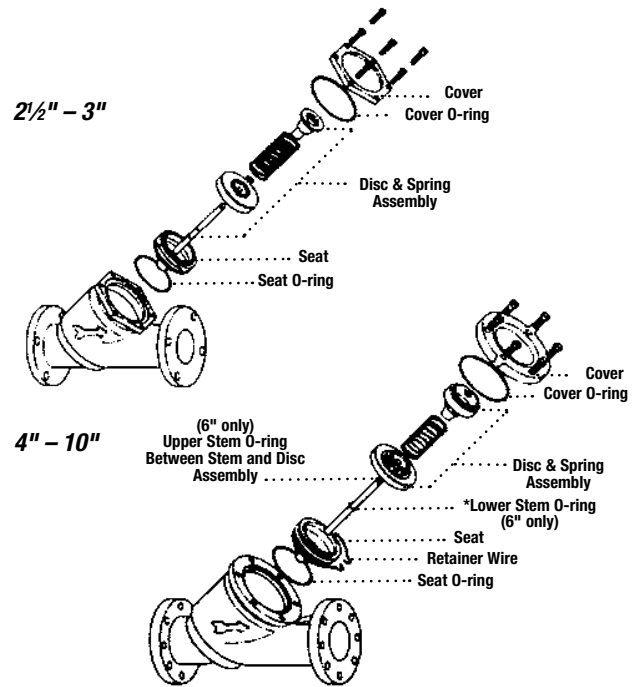
0887956	RK 709DCDA RT	3"	119.43
0887957	RK 709DCDA RT	4"	159.23
0887958	RK 709DCDA RT	*6"	181.84
0887959	RK 709DCDA RT	8"	220.25
0887960	RK 709DCDA RT	10"	301.32

Kit consists of: 2 discs and 2 cover O-rings.

\*6" also includes upper and lower stem O-ring



\*WARNING: Spring assembly is factory assembled. DO NOT DISASSEMBLE.



**Series 719, LF719**
**Double Check Valve Assemblies**
**Sizes 1/2" - 2"**
**Repair Kits**

When ordering specify Ordering Code, Kit No., and Valve Size.

Ordering Code	Kit No.	Size	List price (each)
<b>1st or 2nd Check Kits</b>			
0888100	RK 719R10 CK4	1/2" - 3/4"	\$40.43
0889060	RK 719 CK4	1/2"	33.14
0889061	RK 719 CK4	3/4"	47.88
0889062	RK 719 CK4	1"	49.74
0888101	RK 719 CK4	1 1/4" - 1 1/2"	91.98
0888102	RK 719 CK4	2"	93.84

Kit consists of: Disc holder, Spring and Cover O-ring.

**1st or 2nd Check Rubber Parts Kits**

0888103	RK 719R10 RC4	1/2" - 3/4"	16.76
0889063	RK 719 RC4	1/2"	20.16
0889064	RK 719 RC4	3/4"	20.85
0889065	RK 719 RC4	1"	25.27
0888104	RK 719 RC4	1 1/4" - 1 1/2"	26.81
0888105	RK 719 RC4	2"	27.24

Kit consists of: Disc rubber, Seat O-ring and Cover O-ring.

**1st or 2nd Check Seat Kits**

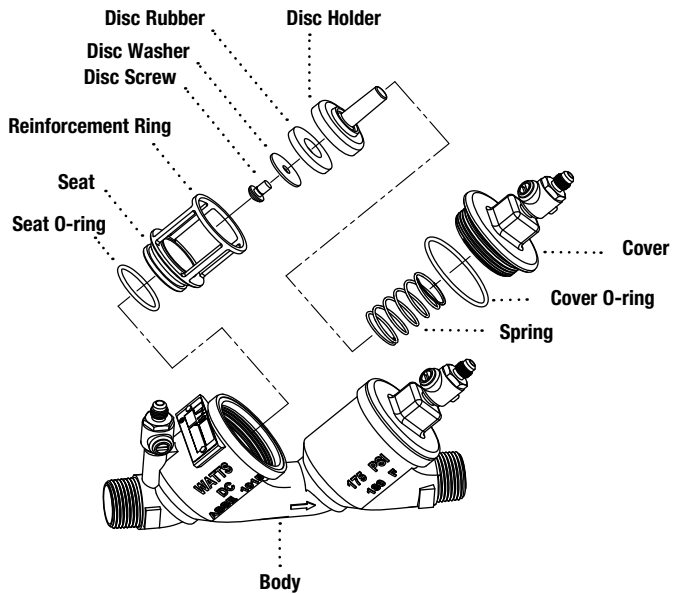
0888997	RK 719R10 S	1/2" - 3/4"	28.41
0889069	RK 719 S	1/2"	25.54
0889070	RK 719 S	3/4"	33.62
0889071	RK 719 S	1"	34.74
0888998	RK 719 S	1 1/4" - 1 1/2"	52.88
0888999	RK 719 S	2"	58.63

Kit consists of: Seat, Seat O-ring and Cover O-ring.

**1st or 2nd Check Cover Kits**

0794039	LFRK 719 C	1/2"	65.57
0794040	LFRK 719 C	3/4"	105.85
0794041	LFRK 719 C	1"	110.17
0794042	LFRK 719 C	1 1/4" - 1 1/2"	145.37
0794043	LFRK 719 C	2"	170.86

Kit consists of: Cover and Cover O-ring.

**Note: For 1 1/4" 719R15 models use 1 1/4" - 1 1/2" repair kits.**


\*The wetted surface of this product contacted by consumable water contains less than one quarter of one percent (0.25%) of lead by weight.

**Series 757, 757DCDA  
757a, 757aDCDA**

**Double Check Valve Assemblies**  
**Double Check Detector Assemblies**  
**Sizes 2½" – 10"**  
**Repair Kits 757, 757DCDA**

When ordering specify Ordering Code, Kit No., and Valve Size.

Ordering Code	Kit No.	Size	List price (each)
---------------	---------	------	-------------------

**First Check Kits**

7018128	RK 757/757DCDA CK1	Red Silicone	2½" – 4"	\$249.19
7018131	RK 757/757DCDA CK1	Red Silicone	6"	347.24
7018134	RK 757/757DCDA CK1	Red Silicone	8"	574.24
0899200	RK 757/757DCDA CK1	Red Silicone	10"	804.17

Kit consists of: first check module, check module O-ring and disc elastomer.

**2nd Check Kits**

7018130	RK 757/757DCDA CK2	Red Silicone	2½" – 4"	216.47
7018133	RK 757/757DCDA CK2	Red Silicone	6"	337.39
0899206	RK 757/757DCDA CK2	Red Silicone	8"	574.24
0899201	RK 757/757DCDA CK2	Red Silicone	10"	804.17

Kit consists of: second check module, check module O-ring and disc elastomer.

**1st or 2nd Check Rubber Parts Kits**

0899202	RK 757/757DCDA RC4	Red Silicone	2½" – 4"	32.35
0899203	RK 757/757DCDA RC4	Red Silicone	6"	41.28
0899204	RK 757/757DCDA RC4	Red Silicone	8"	57.93
0899205	RK 757/757DCDA RC4	Red Silicone	10"	129.38

Kit consists of: check module O-ring, disc elastomer and E-clip.

**Check Sleeve Cover Kits**

0899211	RK 757/757DCDA C		2½" – 4"	209.34
0899212	RK 757/757DCDA C		6"	340.21
0899213	RK 757/757DCDA C		8"	644.89
0899214	RK 757/757DCDA C		10"	806.72

Kit consists of: closure sleeve, sleeve O-ring and gasket.

**Repair Kits 757a, 757aDCDA**

**Sizes 2½" – 6"**

When ordering specify Ordering Code, Kit No., and Valve Size.

Ordering Code	Kit No.	Size	List price (each)
---------------	---------	------	-------------------

**1st Check Kits**

0899250	RK 757a/757aDCDA CK1	EPDM	2½" – 4"	\$249.19
0899251	RK 757a/757aDCDA CK1	EPDM	6"	347.24

Kit consists of: first check module, check module O-ring, disc elastomer.

**2nd Check Kits**

0899254	RK 757a/757aDCDA CK2	EPDM	2½" – 4"	216.47
0899255	RK 757a/757aDCDA CK2	EPDM	6"	337.39

Kit consists of: second check module, check module O-ring, disc elastomer.

**1st or 2nd Check Rubber Parts Kits**

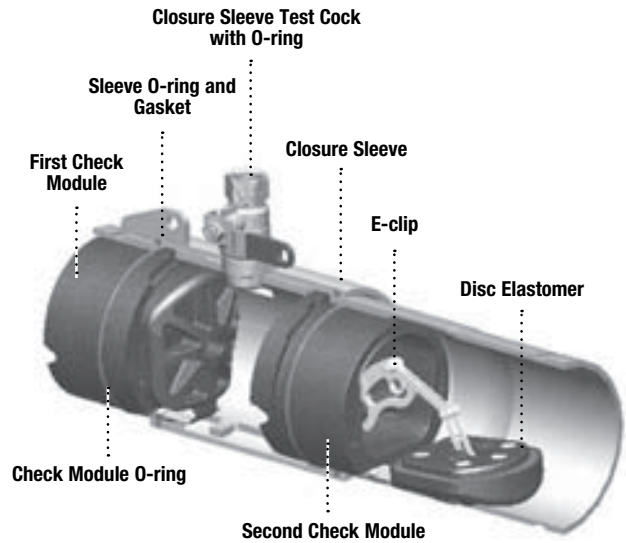
0899258	RK 757a/757aDCDA RC4	EPDM	2½" – 4"	32.35
0899259	RK 757a/757aDCDA RC4	EPDM	6"	41.28

Kit consists of: check module O-ring, disc elastomer and E-clip.

**1st or 2nd Check Cover Kits**

0899266	RK 757a/757aDCDA C		2½" – 4"	209.34
0899267	RK 757a/757aDCDA C		6"	294.25

Kit consists of: closure sleeve, 2 pieces of sleeve O-ring.



**Series 770, 770DCDA**  
**Double Check Valve Assemblies**  
**Double Check Detector Assemblies**  
**Sizes 4" - 8"**  
**Repair Kits 770**

When ordering specify Ordering Code, Kit No., and Valve Size.

Ordering Code	Kit No.	Size	List price (each)
---------------	---------	------	-------------------

**Check Repair Kits**

0887070	RK 770 CK4	4"	\$408.79
0887071	RK 770 CK4	6"	754.91
0887072	RK 770 CK4	8"	1322.02

Kit consists of: spring assembly and cover O-ring.

**Check Rubber Parts**

0887091	RK 770 RC4	4"	561.79
0887092	RK 770 RC4	6"	710.75
0887093	RK 770 RC4	8"	907.01

Kit consists of: cover O-ring; bolt O-ring; disc - for one check.

**Complete Repair Kits**

0887079	RK 770 T	4"	1026.02
0887080	RK 770 T	6"	1832.69
0887081	RK 770 T	8"	3054.32

Kit consists of: 2 cover O-rings; 2 bolts O-ring; 2 disc; 2 spring assemblies - for both checks.

**Repair Kits 770DCDA**

When ordering specify Ordering Code, Kit No., and Valve Size.

Ordering Code	Kit No.	Size	List price (each)
---------------	---------	------	-------------------

**Check Repair Kits**

0887073	RK 770DCDA CK1	4"	\$408.79
0887074	RK 770DCDA CK1	6"	754.91
0887075	RK 770DCDA CK1	8"	1322.02
0887076	RK 770DCDA CK2	4"	408.79
0887077	RK 770DCDA CK2	6"	754.91
0887078	RK 770DCDA CK2	8"	1322.02

Kit consists of: spring assembly and cover O-ring.

**Check Rubber Parts**

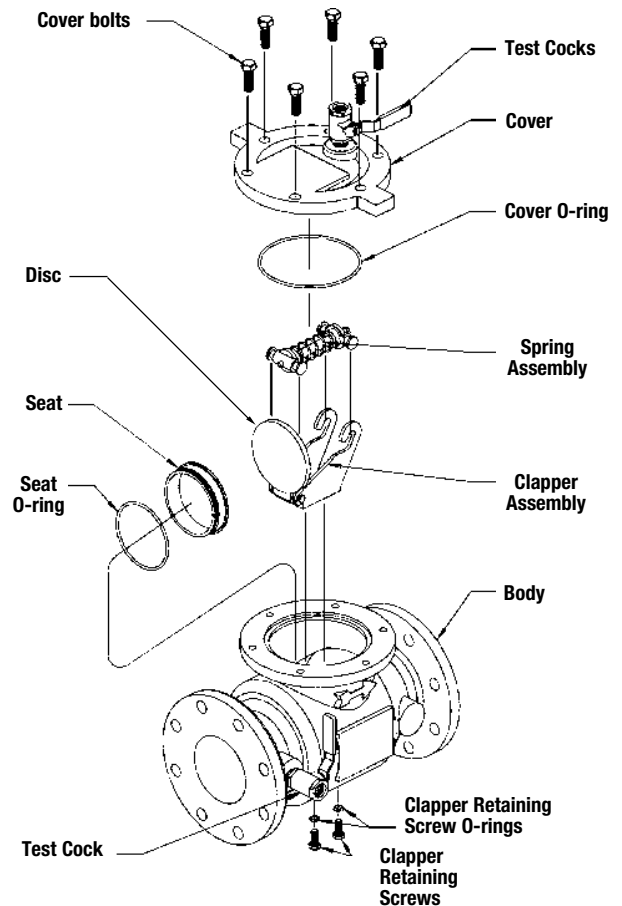
0887082	RK 770DCDA RC4	4"	561.79
0887083	RK 770DCDA RC4	6"	710.75
0887084	RK 770DCDA RC4	8"	907.01

Kit consists of: cover O-ring; bolt O-ring; disc - for one check.

**Complete Repair Kit**

0887088	RK 770DCDA T	4"	1026.02
0887089	RK 770DCDA T	6"	1832.69
0887090	RK 770DCDA T	8"	3054.32

Kit consists of: 2 cover O-ring; 2 bolts O-ring; 2 disc; 2 spring assemblies - for both checks.



\*The wetted surface of this product contacted by consumable water contains less than one quarter of one percent (0.25%) of lead by weight.

**Series 772, 772DCDA**  
**Double Check Valve Assemblies**  
**Double Check Detector Assemblies**  
**Sizes 4" - 10"**  
**Repair Kits 772**

**NOTE: 772 Series utilizes 770 repair kits**  
 When ordering specify Ordering Code, Kit No., and Valve Size.

Ordering Code	Kit No.	Size	List price (each)
---------------	---------	------	-------------------

**1st or 2nd check kits**

0887070	RK 770 CK4	4"	\$408.79
0887071	RK 770 CK4	6" - 8"	754.91
0887072	RK 770 CK4	10"	1322.02

Kit consists of: spring assembly and cover O-ring.

**Check Rubber Parts**

0887091	RK 770 RC4	4"	561.79
0887092	RK 770 RC4	6" - 8"	710.75
0887093	RK 770 RC4	10"	907.01

Kit consists of: cover O-ring; bolt O-ring; disc - for one check.

**Complete Repair Kits**

0887079	RK 770 T	4"	1026.02
0887080	RK 770 T	6" - 8"	1832.69
0887081	RK 770 T	10"	3054.32

Kit consists of: 2 cover O-rings; 2 discs; 2 spring assembly; 2 bolt O-ring - for both checks.

**Repair Kits 772DCDA**

**NOTE: 772 Series utilizes 770 repair kits**

Ordering Code	Kit No.	Size	List price (each)
---------------	---------	------	-------------------

**1st or 2nd check kits**

0887073	RK 770DCDA CK1	4"	\$408.79
0887074	RK 770DCDA CK1	6" - 8"	754.91
0887075	RK 770DCDA CK1	10"	1322.02
0887076	RK 770DCDA CK2	4"	408.79
0887077	RK 770DCDA CK2	6" - 8"	754.91
0887078	RK 770DCDA CK2	10"	1322.02

Kit consists of: spring assembly and cover O-ring.

**Check Rubber Parts**

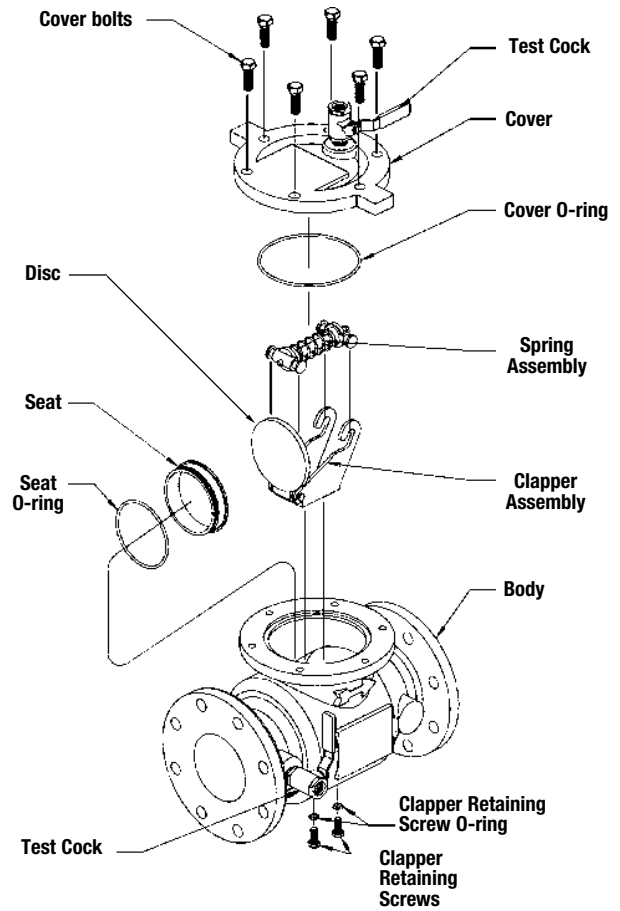
0887082	RK 770 DCDA RC4	4"	561.79
0887083	RK 770 DCDA RC4	6" - 8"	710.75
0887084	RK 770 DCDA RC4	10"	907.01

Kit consists of: cover O-ring; bolt O-ring; disc - for one check.

**Complete Repair Kits**

0887088	RK 770 DCDA T	4"	1026.02
0887089	RK 770 DCDA T	6" - 8"	1832.69
0887090	RK 770 DCDA T	10"	3054.32

Kit consists of: 2 cover O-rings; 2 discs; 2 spring assembly; 2 bolt O-ring - for both checks.



\*The wetted surface of this product contacted by consumable water contains less than one quarter of one percent (0.25%) of lead by weight.

**Series 773, 773DCDA**  
**Double Check Valve Assemblies**  
**Double Check Detector Assemblies**  
**Sizes 4" and 6"**  
**Repair Kits 773**

When ordering specify Ordering Code, Kit No., and Valve Size.

Ordering Code	Kit No.	Size	List price (each)
---------------	---------	------	-------------------

**First or Second Check Rubber Parts Kit**

0888416	RK 773 RC4	4"	\$83.20
0888429	RK 773 RC4	6"	94.96

Kit consists of: disc; seat O-ring and cover O-ring.

**Cover Kit**

0888418	RK 773 C	4"	242.70
0888431	RK 773 C	6"	338.78

Kit consists of: cover and cover O-ring.

**Repair Kits 773DCDA**

When ordering specify Ordering Code, Kit No., and Valve Size.

Ordering Code	Kit No.	Size	List price (each)
---------------	---------	------	-------------------

**First or second check Rubber Parts Kit**

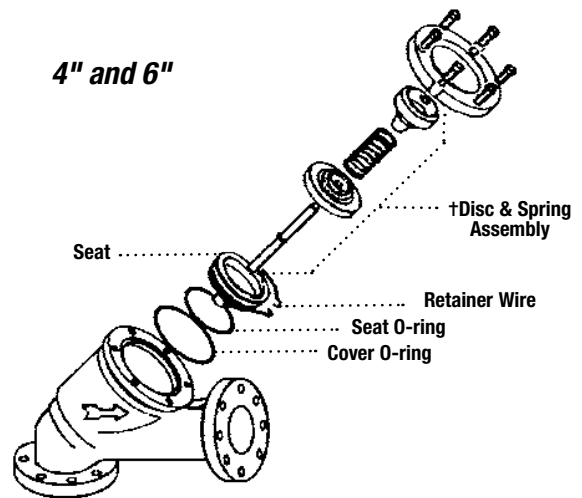
0888422	RK 773DCDA RC4	4"	\$83.20
0888434	RK 773DCDA RC4	6"	94.96

Kit consists of: disc; seat O-ring and cover O-ring.

**Cover Kit**

0888424	RK 773DCDA C	4"	242.70
0888436	RK 773DCDA C	6"	338.78

Kit consists of: cover and cover O-ring.



**†WARNING:**

Spring assembly is factory assembled.  
**DO NOT DISASSEMBLE.**

Note: No special tools required to service Series 773

\*The wetted surface of this product contacted by consumable water contains less than one quarter of one percent (0.25%) of lead by weight.

**Series 774, 774DCDA, 774X, 774XDCDA**
**Double Check Valve Assemblies**
**Double Check Detector Assemblies**
**Sizes 2½" - 12"**
**Repair Kits**

When ordering specify Ordering Code, Kit No., and Valve Size.

ORDERING CODE	KIT NO.	SIZE	FOR USE W/MODEL #S	LIST PRICE (each)
<b>First Check Kit</b>				
0888820	RK 774/774DCDA CK 1	2½", 3", 4"	2½"-4" 774/774DCDA/6" 774X/774XDCDA	\$237.17
0888821	RK 774/774DCDA CK 1	6"	6" 774/774DCDA/8" 774X/774XDCDA	252.81
0888827	RK 774/774DCDA CK4	8" - 12"	774/774DCDA	729.16

Kit consists of: complete #1 cam check with check O-ring.

<b>Second Check Kit</b>				
0888822	RK 774/774DCDA CK 2	2½", 3", 4"	2½"-4" 774/774DCDA/6" 774X/774XDCDA	237.17
0888823	RK 774/774DCDA CK 2	6"	6" 774/774DCDA/8" 774X/774XDCDA	252.81
0888827	RK 774/774DCDA CK4	8" - 12"	774/774DCDA	729.16

Kit consists of: complete #2 cam check with check O-ring.

<b>Cover Kit</b>				
0888824	RK 774/774DCDA C	2½", 3", 4"	2½"-4" 774/774DCDA	271.11
0888825	RK 774/774DCDA C	6"	6" 774/774DCDA/8" 774X/774XDCDA	403.95
0888826	RK 774X/774XDCDA C	6"	6" 774X/774XDCDA	310.69
0888828	RK 774/774DCDA C	8" - 12"	774/774DCDA	517.90

Kit consists of: cover; grooved coupler &amp; gasket.

For 6" 774X 1st &amp; 2nd check, use RK 774 CK1 &amp; CK2 4"

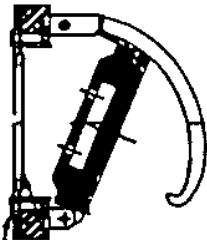
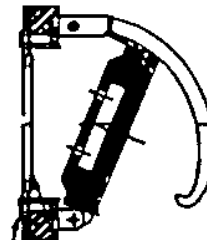
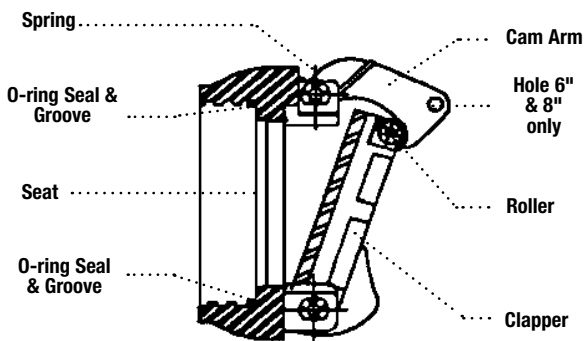
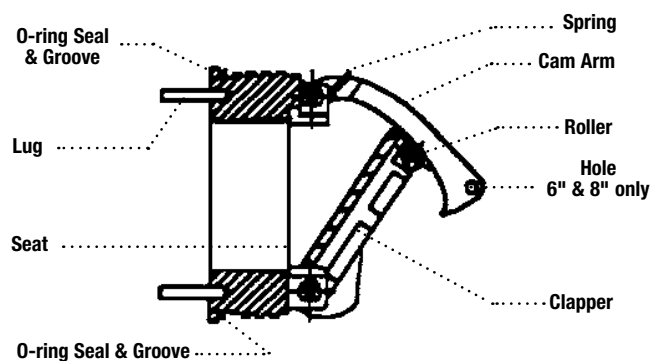
For 8" 774X 1st &amp; 2nd check, use RK 774 CK1 &amp; CK2 6"

For 8" 774X cover kit, use RK 774 C 6"

For 6" 774XDCDA 1st &amp; 2nd check, use RK 774DCDA CK1 &amp; CK2 4"

For 8" 774XDCDA 1st &amp; 2nd check, use RK 774DCDA CK1 &amp; CK2 6"

For 8" 774XDCDA cover kit, use RK 774DCDA C 6"

**First Check 8" - 12"**

**Second Check 8" - 12"**

**First Check 2½" - 6"**

**Second Check 2½" - 6"**


**Series 775**
**Double Check Valve Assemblies**
**Sizes 1/2" - 2"**
**Repair Kits**

When ordering specify Ordering Code, Kit No., and Valve Size.

Ordering Code	Kit No.	Size	List price (each)
---------------	---------	------	-------------------

**1st Check Kits**

0888560	RK 775 CK1	1/2" - 3/4"	\$23.67
0888561	RK 775 CK1	1"	48.84
0888562	RK 775 CK1	1 1/4" - 1 1/2"	93.79
0888563	RK 775 CK1	2"	95.60

Kit consists of: disc assembly; seat; seat O-ring; spring; cage and cover O-ring.

**2nd Check Kits**

0888564	RK 775 CK2	1/2" - 3/4"	23.67
0888565	RK 775 CK2	1"	48.84
0888566	RK 775 CK2	1 1/4" - 1 1/2"	93.79
0888567	RK 775 CK2	2"	95.60

Kit consists of: disc assembly; seat; seat O-ring; spring; cage and cover O-ring.

**Rubber Parts Kits**

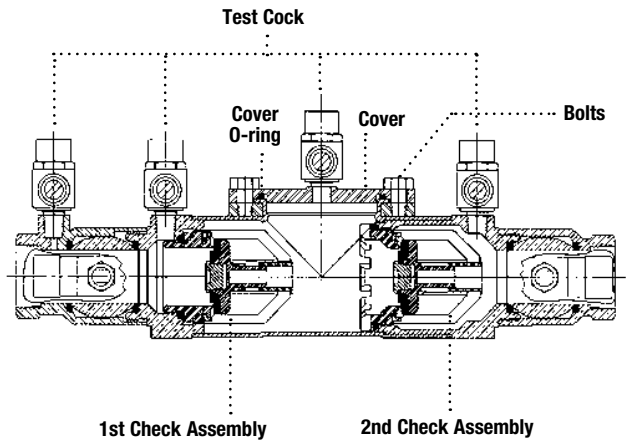
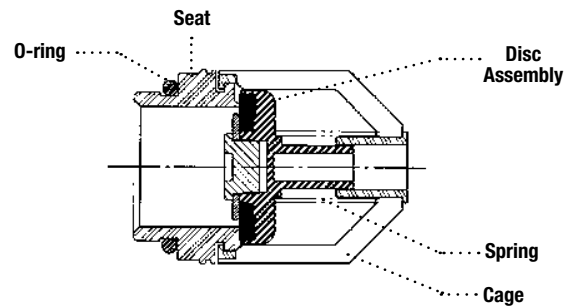
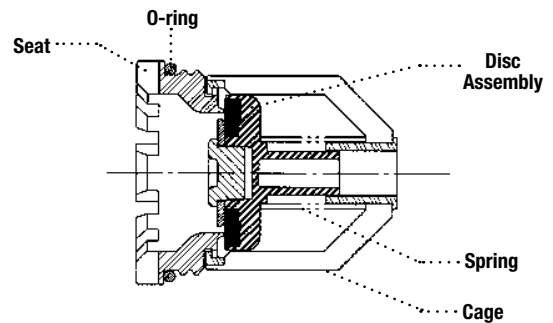
0888568	RK 775 RT	1/2" - 3/4"	20.48
0888569	RK 775 RT	1"	20.48
0888570	RK 775 RT	1 1/4" - 1 1/2"	28.57
0888571	RK 775 RT	2"	28.57

Kit consists of: 2 disc assemblies; 2 seat O-rings and cover O-ring.

**Cover Kits**

0888572	RK 775C	1/2" - 3/4"	56.02
0888573	RK 775C	1"	81.02
0888574	RK 775C	1 1/4" - 1 1/2"	111.35
0888575	RK 775C	2"	126.03

Kit consists of: cover and cover O-ring.

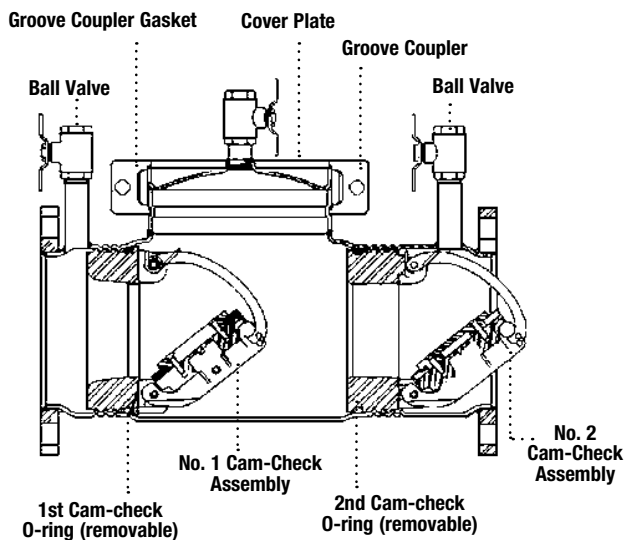

**1st Check**

**2nd Check**


\*The wetted surface of this product contacted by consumable water contains less than one quarter of one percent (0.25%) of lead by weight.

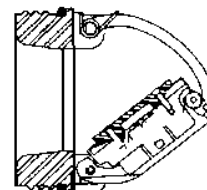
**Series 775, 775DCDA**  
**Double Check Valve Assemblies**  
**Double Check Detector Assemblies**  
**Sizes 3" - 8"**  
**Repair Kits**

When ordering specify Ordering Code, Kit No., and Valve Size.

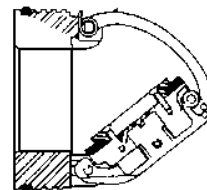
ORDERING CODE	KIT NO.	SIZE	FOR USE W/MODEL #S	LIST PRICE (each)
<b>First Check Kit</b>				
0888900	RK 775/775DCDA CK 1	3" - 4"	3" - 4" 775/775DCDA/N775/N775DCDA	\$350.69
0888901	RK 775/775DCDA CK 1	6" - 8"	6" - 8" 775/775DCDA/N775/N775DCDA	486.19
Kit consists of: complete No. 1 check assembly with check O-ring.				
<b>Second Check Kit</b>				
0888902	RK 775/775DCDA CK 2	3" - 4"	3" - 4" 775/775DCDA/N775/N775DCDA	458.69
0888903	RK 775/775DCDA CK 2	6" - 8"	6" - 8" 775/775DCDA/N775/N775DCDA	617.86
Kit consists of: complete No. 2 check assembly with check O-ring.				
<b>Cover Kit</b>				
0888904	RK 775/775DCDA C	3" - 4"	3" - 4" 775/775DCDA/N775/N775DCDA	215.99
0888905	RK 775/775DCDA C	6" - 8"	6" - 8" 775/775DCDA/N775/N775DCDA	405.22
Kit consists of: cover; grooved coupler & gasket.				
<b>First Check Rubber Parts Kit</b>				
0888906	RK 775/775DCDA RC1	3" - 4"	3" - 4" 775/775DCDA/N775/N775DCDA	16.33
0888907	RK 775/775DCDA RC1	6" - 8"	6" - 8" 775/775DCDA/N775/N775DCDA	23.25
Kit consists of: first check assembly O-ring and check disc.				
<b>Second Check Rubber Parts Kit</b>				
0888908	RK 775/775DCDA RC2	3" - 4"	3" - 4" 775/775DCDA/N775/N775DCDA	25.27
0888909	RK 775/775DCDA RC2	6" - 8"	6" - 8" 775/775DCDA/N775/N775DCDA	36.97
Kit consists of: second check assembly O-ring and check disc.				
<b>Rubber Total Parts Kit</b>				
0888910	RK 775/775DCDA RT	3" - 4"	3" - 4" 775/775DCDA/N775/N775DCDA	37.03
0888911	RK 775/775DCDA RT	6" - 8"	6" - 8" 775/775DCDA/N775/N775DCDA	41.71
Kit consists of: first and second check assembly O-ring; and first and second check disc.				



**No. 1 Check Assembly**



**No. 2 Check Assembly**



\*The wetted surface of this product contacted by consumable water contains less than one quarter of one percent (0.25%) of lead by weight.

## Troubleshooting Guide

### Double Check Valve Assemblies, Double Check Detector Assemblies

PROBLEM	CAUSE	Should valve be replaced?	SOLUTION
<b>A. Double check valve fails to hold 1.0 PSID minimum.</b>			
	A-1 Debris on check disc sealing surface.	No	Check valve must be disassembled and cleaned
	A-2 Leaking gate valve	No	Gate valve must be disassembled and cleaned
	A-3 Damaged seat disc or seat O-ring	No	Disassemble damage check and replace
	A-4 Damaged guide holding check open	No	Disassemble and clean or replace if necessary
	A-5 Weak or broken spring	No	Check valve must be disassemble and spring replaced
<b>B Chatter during flow conditions</b>			
	B-1 Worn, damaged or defective guide	No	Disassemble and repair or replace guide
<b>C. Low flows passing through mainline valve (DCDA only)</b>			
	C-1 Check(s) on mainline are fouled	No	Mainline check(s) must be disassemble and cleaned
	C-2 Meter strainer on bypass line is plugged	No	Strainer must be disassemble and cleaned
	C-3 Mainline seat disc or seat is damage	No	Disassemble damage seat disc or seat and replace
	C-4 Broken mainline spring	No	Mainline check must be disassemble and spring replaced

\*The wetted surface of this product contacted by consumable water contains less than one quarter of one percent (0.25%) of lead by weight.

**Series 009, LF009**
**Reduced Pressure Zone Assemblies**
**Sizes 1/4" - 2"**
**Relief valve kits**

When ordering specify Ordering Code, Kit No., and Valve Size.

**1/4" - 1"**

Ordering Code	Kit No.	Size	List price (each)
---------------	---------	------	-------------------

**Total Relief Valve Kits**

0887294	RK 009 VT	1/4" - 1/2"	\$78.15
0887509	RK SS009 VT	1/2"	79.53
0887002	RK 009M2 VT	3/4"	97.62
0887520	RK SS009M2/M3 VT	1/4" - 3/4"	99.70
0888524	RK 009M3 VT	3/4"	97.62
0887503	RK SS009VT	1"	136.14
0887785	RK 009M2 VT	1"	133.64

Kit consists of: seat, seat O-ring, stem &amp; diaphragm assembly, Stem O-ring, cover O-ring and RV spring.

**Relief Valve Rubber Parts Kits**

0887295	RK 009 RV	1/4" - 1/2"	33.36
0887510	RK SS009 RV	1/2"	34.12
0886998	RK 009M2 RV	3/4"	37.83
0887519	RK SS009M2/M3 RV	1/4" - 3/4"	40.33
0888523	RK 009M3 RV	3/4"	37.83
0887529	RK SS009 RV	3/4" - 1"	40.33
0887786	RK 009M2 RV	1"	37.83

Kit consists of: diaphragm, disc assembly, stem O-rings, seat O-ring and cover O-ring.

**Total Rubber Parts Kits**

0887297	RK 009 RT	1/4" - 1/2"	52.99
0887511	RK SS009 RT	1/2"	54.10
0886999	RK 009M2 RT	3/4"	56.50
0887521	RK SS009M2 RT	1/4" - 3/4"	60.70
0888597	RK SS009M3 RT	1/4" - 3/4"	60.70
0888526	RK 009M3 RT	3/4"	58.79
0887530	RK SS009 RT	1"	60.65
0887787	RK 009M2 RT	1"	56.50

Kit consists of: diaphragm, two disc assemblies, stem O-rings, cover O-ring, two seat O-rings and RV seat O-ring.

**Cover Kits**

0794044	LFK 009 C	1/4" - 1/2"	63.23
0887500	RK SS009 C	1/2"	140.66
0887501	RK SS009M2/M3 C	1/4" - 3/4"	156.67
0794045	LFK 009M3 C	3/4"	70.31
0887502	RK SS009 C	1"	227.43
0794046	LFK 009M2 C	1"	101.97

Kit consists of: cover and cover O-ring.

**1 1/4" - 2"**

Ordering Code	Kit No.	Size	List price (each)
---------------	---------	------	-------------------

**Relief Valve Total Kits**

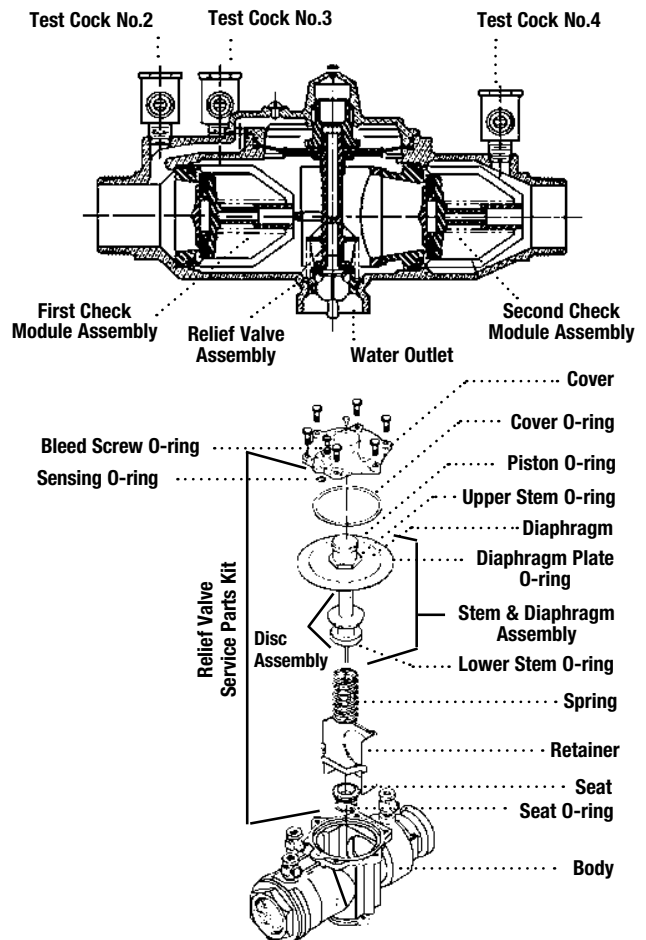
0887307	RK 009M2 VT	1 1/4" - 1 1/2"	\$181.78
0887545	RK 009M2 VT	2"	252.75

Kit consists of: RV assembly, seat, seat O-ring, cover O-ring, sensing passage O-ring and upper stem O-ring and RV spring.

**Relief Valve Rubber Parts Kits**

0887306	RK 009M2 RV	1 1/4" - 1 1/2"	44.10
0887544	RK 009M2 RV	2"	45.27

Kit consists of: diaphragm, seat O-ring, cover O-ring and sensing passage O-ring.



Ordering Code	Kit No.	Size	List price (each)
---------------	---------	------	-------------------

**Complete Rubber Parts Kits**

0887309	RK 009M2 RT	1 1/4" - 1 1/2"	87.35
0887547	RK 009M2 RT	2"	88.37

Kit consists of: two check assembly O-rings, two disc assemblies, one cover O-ring, one RV diaphragm, one RV seat O-ring, one sensing passage O-ring, one diaphragm plate O-ring, one RV lower stem O-ring, one RV upper stem O-ring, one RV disc assembly and one bleed screw O-ring.

**Cover Kits**

0794047	LFK 009M2 C	1 1/4" - 1 1/2"	142.75
0794048	LFK 009M2 C	2"	161.16

Kit consists of: cover, cover O-ring, sensing passage O-ring, bleed screw O-ring, vent hood and bleed screw.

### Series 009, LF009

#### Reduced Pressure Zone Assemblies

Sizes 1/4" - 2"

#### Check valve kits

When ordering specify Ordering Code, Kit No., and Valve Size.

#### 1/4" - 1"

Ordering Code	Kit No.	Size	List price (each)
---------------	---------	------	-------------------

#### First Check Kits

0887291	RK 009 CK1	1/4" - 1/2"	\$33.36
0887505	RK SS009 CK1	1/2"	34.21
0887000	RK 009M2 CK1	3/4"	27.77
0887515	RK SS009M3 CK1	1/4" - 3/4"	28.36
0888520	RK 009M3 CK1	3/4"	27.77
0887005	RK 009 CK1	3/4" - 1"	52.67
0887009	RK 009 CK1SS	3/4" - 1"	195.51
0887525	RK SS009 CK1	1"	51.66
0887789	RK 009 M2 CK1	1"	50.70

Kit consists of: check assembly and cover O-ring.

#### Second Check Kits

0887292	RK 009 CK2	1/4" - 1/2"	32.56
0887506	RK SS009 CK2	1/2"	33.14
0887001	RK 009M2 CK2	3/4"	22.77
0887516	RK SS009M3 CK2	1/4" - 3/4"	23.30
0888521	RK 009M3 CK2	3/4"	22.77
0887007	RK 009 CK2	3/4" - 1"	47.88
0887011	RK 009 CK2SS	3/4" - 1"	168.11
0887526	RK SS009 CK2	1"	47.03
0887790	RK 009M2 CK2	1"	46.07

Kit consists of: check assembly and cover O-ring.

#### Check Rubber Parts

0887293	RK 009 RC3	1/4" - 1/2"	19.68
0887507	RK SS009 RC1	1/2"	20.16
0887508	RK SS009 RC2	1/2"	20.16
0887003	RK 009M2 RC3	3/4"	18.73
0887517	RK SS009M2 RC1	3/4"	20.16
0888595	RK SS009M3 RC1	1/4" - 3/4"	20.16
0888596	RK SS009M3 RC2	1/4" - 3/4"	20.16
0887518	RK SS009M2 RC2	3/4"	20.16
0888522	RK 009M3 RC3	3/4"	18.73
0887017	RK 009 RC1	3/4" - 1"	9.79
0887180	RK 009 RC2	3/4" - 1"	9.79
0887527	RK 009 RC1	1"	10.00
0887528	RK 009 RC2	1"	10.00
0887791	RK 009M2 RC1	1"	9.47
0887792	RK 009M2 RC2	1"	9.47

Kit consists of: disc, cover O-ring and seat O-ring.

#### 1/2"

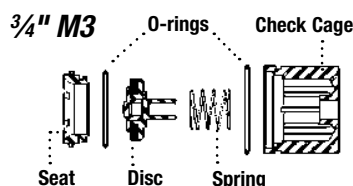
Injection Molded Acetyl Resin



O-ring Seal  
1st Check Module



Silicone Seal  
Stainless Steel Spring



3/4" M3  
Seat Disc Spring

#### 1 1/4" - 2"

Ordering Code	Kit No.	Size	List price (each)
---------------	---------	------	-------------------

#### First Check Kits

0887300	RK 009M2 CK1	1 1/4" - 1 1/2"	\$96.72
0887270	RK 009M1 CK1	1 1/4" - 2"	105.39
0887006	RK 009 CK1	1 1/4" - 2"	107.41
0887010	RK 009 CK1SS	1 1/4" - 2"	278.87
0887272	RK 009M1 CK1SS	1 1/4" - 2"	268.29
0887540	RK 009M2 CK1	2"	103.15

Kit consists of: first check assembly, cover O-ring and sensing passage O-ring.

#### Second Check Kits

0887301	RK 009M2 CK2	1 1/4" - 1 1/2"	90.17
0887271	RK 009M1 CK2	1 1/4" - 2"	93.79
0887008	RK 009 CK2	1 1/4" - 2"	95.55
0887012	RK 009 CK2SS	1 1/4" - 2"	240.89
0887273	RK 009M1 CK2SS	1 1/4" - 2"	231.69
0887541	RK 009M2 CK2	2"	91.98

Kit consists of: second check assembly, cover O-ring and sensing passage O-ring.

#### First Check Rubber Parts Kits

0887304	RK 009M2 RC1	1 1/4" - 1 1/2"	20.48
0887274	RK 009M1 RC1	1 1/4" - 2"	24.21
0887018	RK 009 RC1	1 1/4" - 2"	36.12
0887542	RK 009M2 RC1	2"	21.55

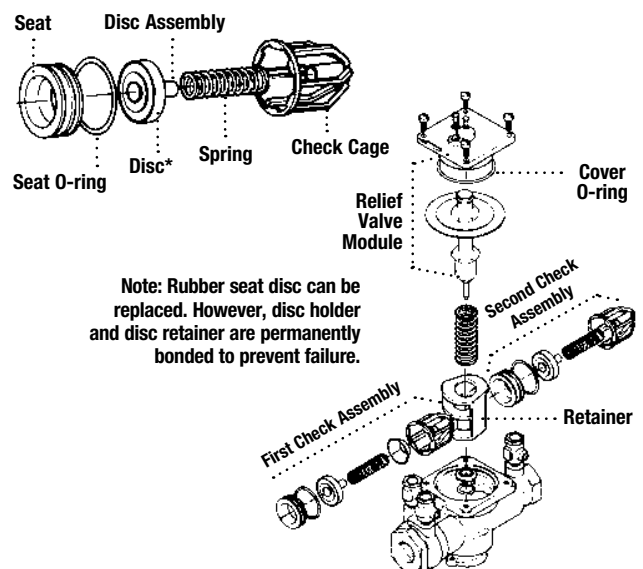
Kit consists of: first check assembly O-ring, disc holder assembly, cover O-ring and sensing passage O-ring.

#### Second Check Rubber Parts Kits

0887305	RK 009M2 RC2	1 1/4" - 1 1/2"	20.48
0887275	RK 009M1 RC2	1 1/4" - 2"	24.21
0887183	RK 009 RC2	1 1/4" - 2"	36.34
0887543	RK 009M2 RC2	2"	21.55

Kit consists of: second check assembly O-ring, disc holder assembly, cover O-ring and sensing passage O-ring.

#### 1" - 2"



Note: Rubber seat disc can be replaced. However, disc holder and disc retainer are permanently bonded to prevent failure.

\*The wetted surface of this product contacted by consumable water contains less than one quarter of one percent (0.25%) of lead by weight.

### Series 009, LF009

#### Reduced Pressure Zone Assemblies

Sizes 2½" – 3"

#### Relief valve kits

When ordering specify Ordering Code, Kit No., and Valve Size.

Ordering Code	Kit No.	Size	List price (each)
---------------	---------	------	-------------------

#### Total Relief Valve Kit

0794052	LFRK 009 VT	2½" – 3"	\$719.47
---------	-------------	----------	----------

Kit consists of: seat, stem assembly, spring, two piston O-rings, flow tube O-ring and cover O-ring.

#### Relief Valve Rubber Parts

0794053	LFRK 009 RV	2½" – 3"	129.29
---------	-------------	----------	--------

Kit consists of: diaphragm, disc, molded disc assembly, piston O-ring, stem O-ring and cover O-ring.

Stem O-ring located between stem and piston O-ring.

#### Check valve kits

When ordering specify Ordering Code, Kit No., and Valve Size.

Ordering Code	Kit No.	Size	List price (each)
---------------	---------	------	-------------------

#### First Check Parts Kit

0794054	LFRK 009 CK1	2½" – 3"	\$529.28
---------	--------------	----------	----------

#### Second Check Parts Kit

0794055	LFRK 009 CK2	2½" – 3"	513.28
---------	--------------	----------	--------

Kit consists of: check assembly, cover O-ring and flow tube O-ring.

#### First Check Rubber Parts Kit

0887281	RK 009 RC1	2½" – 3"	136.78
---------	------------	----------	--------

#### Second Check Rubber Parts Kit

0887205	RK 009 RC2	2½" – 3"	105.66
---------	------------	----------	--------

Kit consists of: disc, seat O-ring, cover O-ring and flow tube O-ring.

#### Total Rubber Parts

0794056	LFRK 009 RT	2½" – 3"	451.68
---------	-------------	----------	--------

Kit consists of: diaphragm, two molded disc assemblies, two seat O-rings, RV O-ring, two piston O-rings, RV stem O-ring, flow tube O-ring and cover O-ring.

#### Cover Kit

0887282	RK 009 C	2½" – 3"	329.41
---------	----------	----------	--------

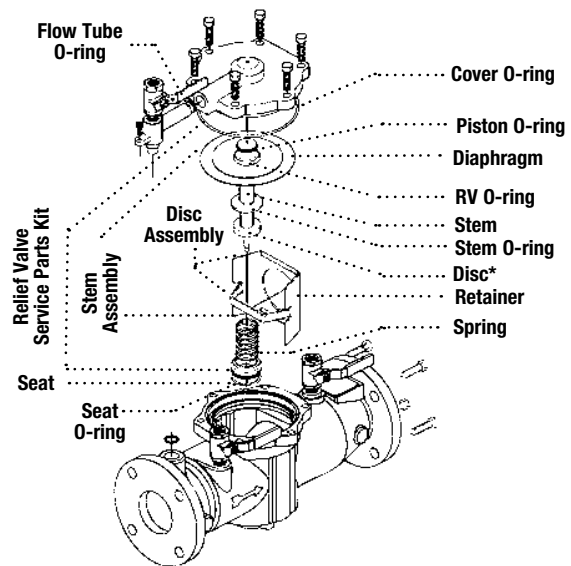
Kit consists of: cover, cover O-ring and flow tube O-ring.

#### Check Seat Kit

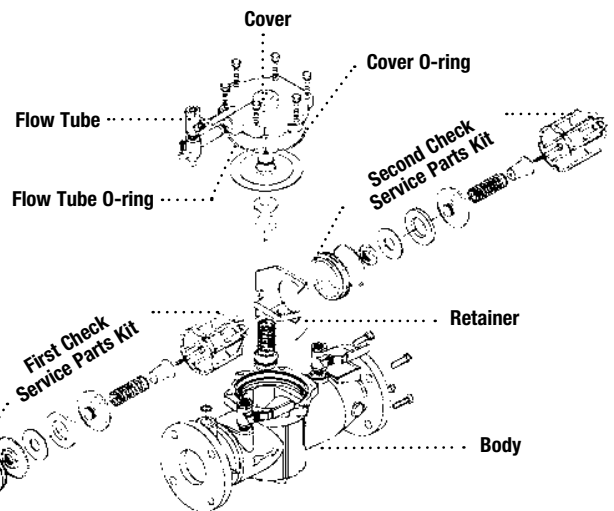
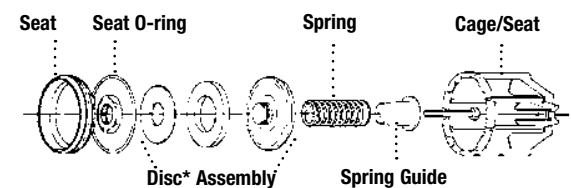
0887208	RK 009 S1	2½" – 3"	81.82
---------	-----------	----------	-------

0887209	RK 009 S2	2½" – 3"	81.82
---------	-----------	----------	-------

Kit consists of: check seat, seat O-ring and cover O-ring.



#### Check Assemblies

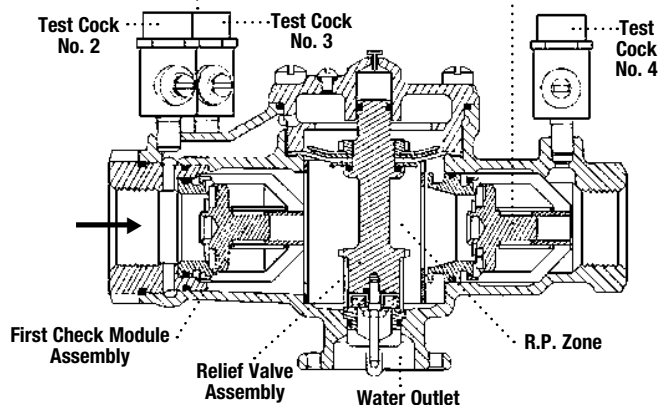


Note: Rubber seat disc can be replaced. However, disc holder and disc retainer are permanently bonded to prevent failure.

Note: First and Second Check Valve modules are not interchangeable.

#### Ball Type Test Cocks

#### Second Check Module Assembly



\*The wetted surface of this product contacted by consumable water contains less than one quarter of one percent (0.25%) of lead by weight.

### Series 909, LF909

#### Reduced Pressure Zone Assemblies

Sizes  $\frac{3}{4}$ " - 2"

#### Relief valve kits

When ordering specify Ordering Code, Kit No., and Valve Size.

Ordering Code	Kit No.	Size	List price (each)
---------------	---------	------	-------------------

#### Relief Valve Kits

0794059	LFRK 909 VT	$\frac{3}{4}$ " - 1"	\$203.22
0794060	LFRK 909M1 VT	1 $\frac{1}{4}$ " - 2"	378.19

Kit consists of: relief valve assembly, seat, seat O-ring, 2 piston O-rings and lubricant.

#### Rubber Parts for Relief Valve

0794061	LFRK 909 RV	$\frac{3}{4}$ " - 1"	60.40
0794062	LFRK 909M1 RV	1 $\frac{1}{4}$ " - 2"	84.55

Kit consists of: diaphragm, disc assembly, seat O-ring, RV O-ring, 2 piston O-ring, and lubricant.

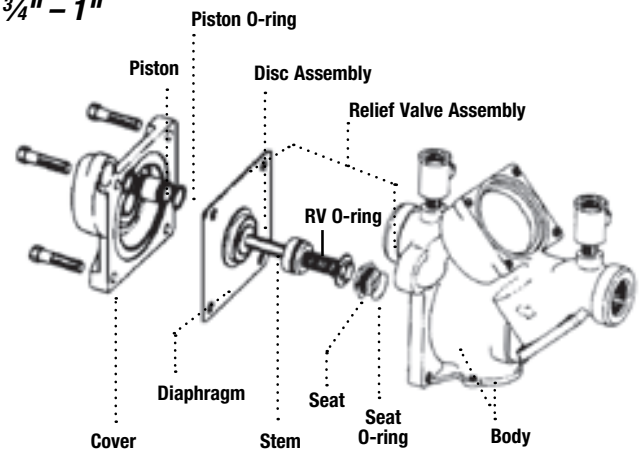
#### Seat Kits for Relief Valve

0887372	RK 909 SV	$\frac{3}{4}$ " - 1"	65.70
0887371	RK 909M1 SV	1 $\frac{1}{4}$ " - 2"	104.38

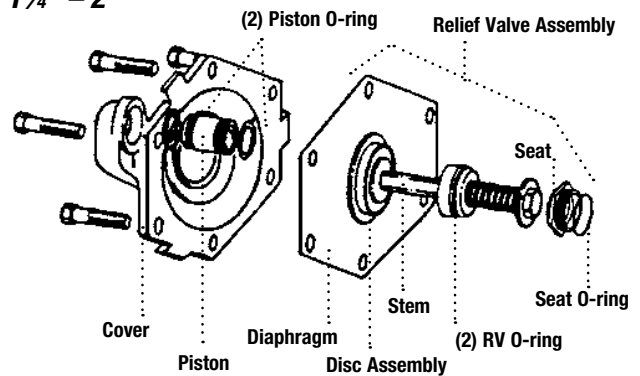
Kit consists of: seat, seat O-ring, 2 piston O-ring and lubricant.

Note: 1 $\frac{1}{4}$ " - 2" 909/909M1 are common kits.

$\frac{3}{4}$ " - 1"



1 $\frac{1}{4}$ " - 2"



TO PREVENT SHAFT DAMAGE ASSEMBLE AS SHOWN: If cover will not press against body, assembly is crooked and tightening bolts will bend shaft. Do not force the cover into place as damage may result from misalignment.

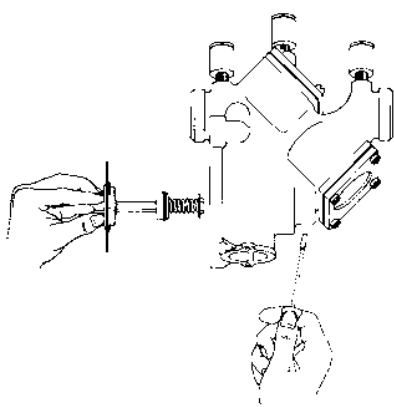


Figure 1:

To assemble the relief valve assembly have a screwdriver ready.

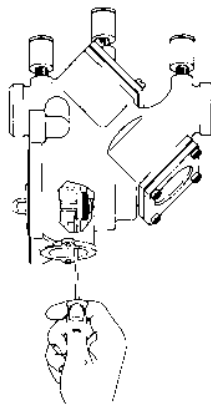


Figure 2:

Depress the relief valve assembly, carefully guiding it against the two pound spring load. When properly aligned, the piston is in the cylinder bore. Insert the screwdriver as shown.

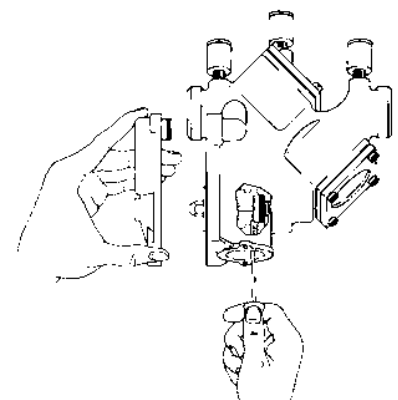


Figure 3:

The relief valve assembly is held encapsulated by the screwdriver. You should now have both hands free to bolt down the cover. Insert and snug two bolts 180° apart to hold the cover. Finish inserting the remaining bolts and snug up evenly alternating until secure. Remove the screwdriver.

\*The wetted surface of this product contacted by consumable water contains less than one quarter of one percent (0.25%) of lead by weight.

## Series 909, LF909

### Reduced Pressure Zone Assemblies

Sizes 3/4" - 2"

### Check valve kits

When ordering specify Ordering Code, Kit No., and Valve Size.

Note: 1 1/4" - 2" 909/909M1 are common kits.

Ordering Code	Kit No.	Size	List price (each)
---------------	---------	------	-------------------

### First Check Kits

0887120	RK 909 CK1	3/4" - 1"	\$101.08
0794063	LFRK 909M1 CK1	1 1/4" - 2"	245.85
0887122	RK 909 CK1SS**	3/4" - 1"	153.38
0887135	RK 909M1 CK1SS**	1 1/4" - 2"	260.89

### Second Check Kits

0887121	RK 909 CK2	3/4" - 1"	94.64
0794064	LFRK 909M1 CK2	1 1/4" - 2"	232.25

Kit consists of: disc assembly, spring, seat, seat O-ring, cover O-ring and lubricant.

### Rubber Parts for Both Checks

0887129	RK 909 RC3	3/4" - 1"	19.21
0794065	LFRK 909M1 RC3	1 1/4" - 2"	81.57
0794067	LFRK 909 RC3 HW	3/4" - 1"	52.19
0794068	LFRK 909M1 RC3 HW	1 1/4" - 2"	81.57

Kit consists of: disc assembly, seat O-ring, cover O-ring and lubricant.

NOTE: HW model has bronze disc assembly.

### Complete Rubber Parts

0794069	LFRK 909 RT	3/4" - 1"	83.27
0794070	LFRK 909M1 RT	1 1/4" - 2"	128.37

Kit consists of: disc assembly, seat O-rings, RV diaphragm, RV O-rings, piston O-rings, cover O-rings and lubricant.

### Seat Kits for One Check

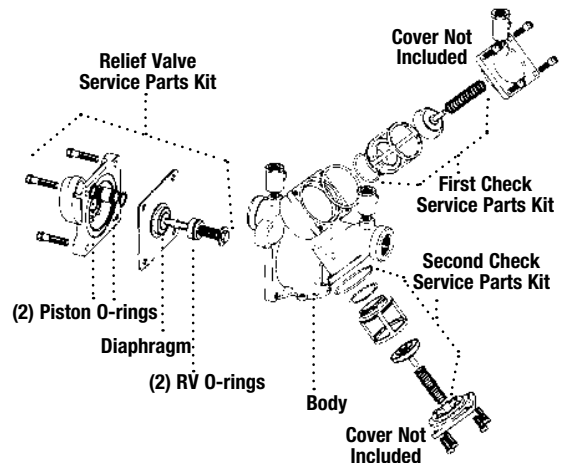
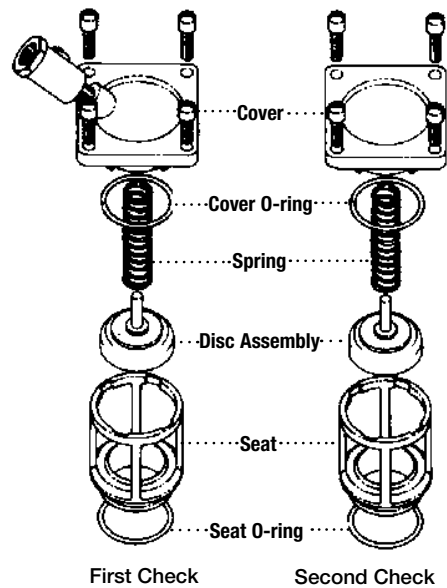
0887124	RK 909 S	3/4" - 1"	29.32
0887139	RK 909M1 S	1 1/4" - 2"	37.67
0887125	RK 909 S-SS**	3/4" - 1"	204.34
0887140	RK 909M1 S-SS**	1 1/4" - 2"	269.19

Kit consists of: seat, seat O-ring and lubricant.

### Cover Kits

0794072	LFRK 909 C1	3/4" - 1"	89.01
0794073	LFRK 909 C2	3/4" - 1"	81.36
0794074	LFRK 909 VC	3/4" - 1"	102.47
0794075	LFRK 909M1 C4	1 1/4" - 2"	112.44
0794076	LFRK 909M1 VC	1 1/4" - 2"	177.30

Kit consists of: cover, cover O-ring and lubricant.



NOTE: No special tools required to service Series 909.

NOTE: Rubber seat disc can be replaced. However, disc holder and disc retainer are permanently bonded to prevent failure.

\*\*Stainless steel seat

### Series 909, LF909

#### Reduced Pressure Zone Assemblies

Sizes 2½" – 10"

#### Relief valve kits

When ordering specify Ordering Code, Kit No., and Valve Size.

\*\*M1 = Cast iron relief valve.

Ordering Code	Kit No.	Size	List price (each)
---------------	---------	------	-------------------

#### Relief Valve Rubber Parts

0794081	LFRK 909 RV	2½" – 3"	\$207.68
0794082	LFRK 909 RV	4" – 6"	274.17
0794083	LFRK 909 RV	8" – 10"	344.98
0794084	**LFRK 909M1 RV	4" – 10"	274.17

Kit consists of: sleeve O-ring, piston O-ring, stem O-ring, RV disc assembly, diaphragm, piston seal, bottom plug O-ring, adapter O-ring and lubricant.

#### Relief Valve Total

0794085	LFRK 909 VT	2½" – 3"	402.68
0794086	LFRK 909 VT	4" – 6"	751.91
0794088	**LFRK 909M1 VT	4" – 10"	1025.08

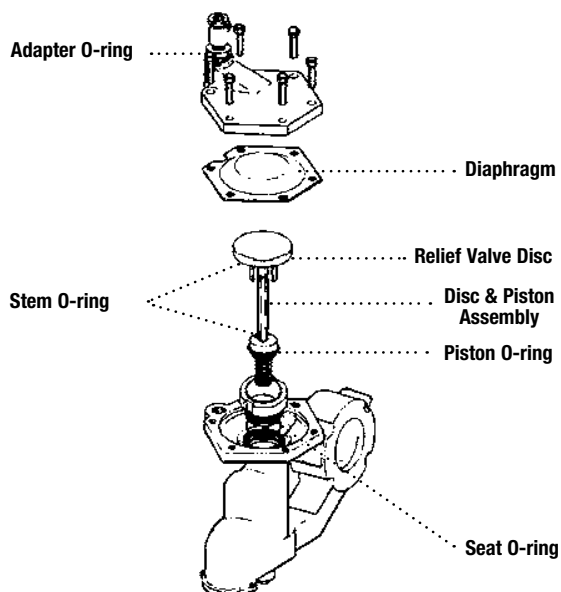
Kit consists of: diaphragm, disc & piston assembly, seat, seat O-ring, adapter O-ring and lubricant. (Sizes 4"–10"M1 includes bottom plug & spring assembly).

#### Total Rubber Parts Kits

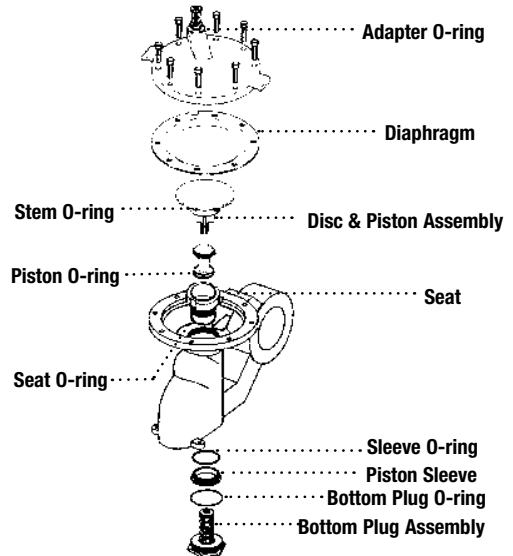
0794089	LFRK 909 RT	2½" – 3"	368.62
0794090	LFRK 909 RT	4"	487.23
0794091	LFRK 909 RT	6"	511.37
0794092	LFRK 909 RT	8"	631.03
0794093	LFRK 909M1 RT	8"	561.51
0794094	LFRK 909 RT	10"	736.97
0794095	LFRK 909M1 RT	10"	667.51

Kit consists of: upper and lower check stem O-ring (6" only), check disc, cover O-ring, sleeve O-ring, piston O-ring, RV disc assembly, diaphragm, piston seal and lubricant.

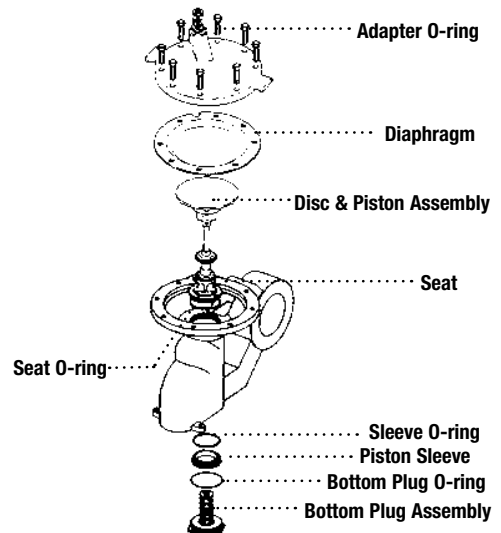
### 2½", 3"



### 4" – 10"



### 8"M1, 10"M1



\*The wetted surface of this product contacted by consumable water contains less than one quarter of one percent (0.25%) of lead by weight.

**Series 909, LF909**
**Reduced Pressure Zone Assemblies**
**Sizes 2½" – 10"**
**Check valve kits**

When ordering specify Ordering Code, Kit No., and Valve Size.

Ordering Code	Kit No.	Size	List price (each)
---------------	---------	------	-------------------

**First Check Kits**

0794096	LFRK 909 CK1	2½" – 3"	\$452.67
0794097	LFRK 909 CK1	4"	732.43
0794098	LFRK 909 CK1	6"	1311.15
0794099	LFRK 909 CK1	8"	2333.11
0794100	LFRK 909 CK1	10"	3344.52

**Second Check Kits**

0794101	LFRK 909 CK2	2½" – 3"	434.62
0794102	LFRK 909 CK2	4"	693.78
0794103	LFRK 909 CK2	6"	1196.29
0794104	LFRK 909 CK2	8"	2188.23
0794105	LFRK 909 CK2	10"	2945.46

Kit consists of: disc &amp; spring assembly, cover O-ring and lubricant.

**Seat Kits**

0794106	LFRK 909 S	2½" – 3"	172.21
0794107	LFRK 909 S	4"	251.22
0794108	LFRK 909 S	6"	430.80
0794109	LFRK 909 S	8"	1026.43
0794110	LFRK 909 S	10"	1198.91

Kit consists of: seat, seat O-ring, cover O-ring, retainer wires and lubricant.

**First Check Rubber Parts Kits**

0887220	RK 909 RC1	2½" – 3"	60.59
0887221	RK 909 RC1	4"	80.01
0887223	RK 909 RC1	6"	91.08
0887224	RK 909 RC1	8"	109.96
0887225	RK 909 RC1	10"	149.76

**Second Check Rubber Parts Kits**

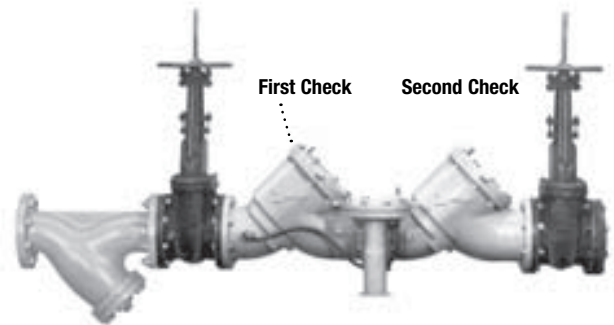
0887226	RK 909 RC2	2½" – 3"	60.59
0887227	RK 909 RC2	4"	80.01
0887228	RK 909 RC2	6"	91.08
0887229	RK 909 RC2	8"	109.96
0887230	RK 909 RC2	10"	149.76

Kit consists of: upper and lower check stem O-ring (6" only), check disc, cover O-ring and lubricant.

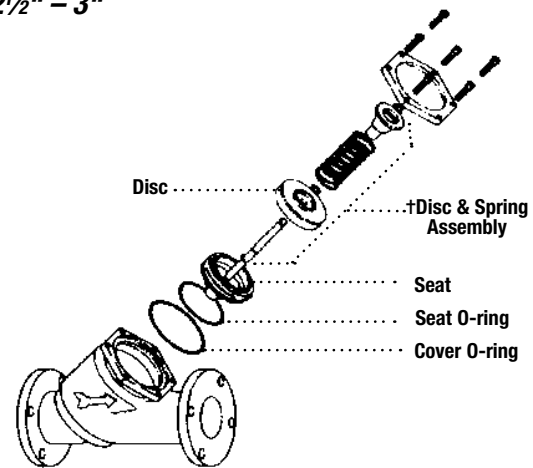
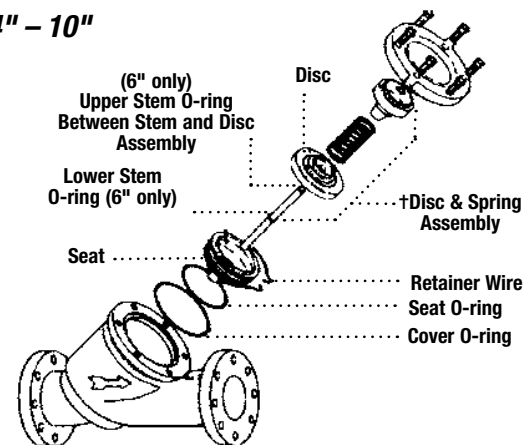
**Cover Kits for Checks**

0887740	RK 909 C	2½" – 3"	205.19
0887741	RK 909 C	4"	229.88
0887742	RK 909 C	6"	320.26
0887743	RK 909 C	8"	524.39
0887744	RK 909 C	10"	1173.65

Kit consists of: cover, cover O-ring and lubricant.



First and second checks are not interchangeable.

**2½" – 3"**

**4" – 10"**

 †WARNING:  
Spring assembly is factory assembled. DO NOT DISASSEMBLE.

**Series 909RPDA**

**Reduced Pressure Detector Assemblies**

**2½" – 10"**

**Check valve kits**

When ordering specify Ordering Code, Kit No., and Valve Size.

Ordering Code	Kit No.	Size	List price (each)
---------------	---------	------	-------------------

**First Check Rubber Parts Kits**

0887249	RK 909RPDA RC1	2½" – 3"	\$60.59
0887250	RK 909RPDA RC1	4"	80.01
0887251	RK 909RPDA RC1	6"	91.08
0887252	RK 909RPDA RC1	8"	109.96

**Second Check Rubber Parts Kits**

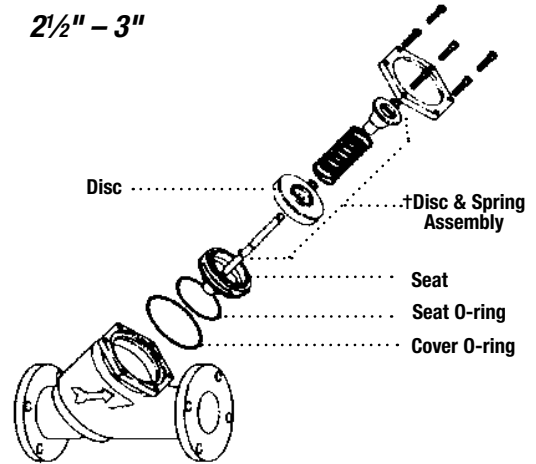
0887254	RK 909RPDA RC2	2½" – 3"	60.59
0887255	RK 909RPDA RC2	4"	80.01
0887256	RK 909RPDA RC2	6"	91.08
0887257	RK 909RPDA RC2	8"	109.96
0887258	RK 909RPDA RC2	10"	149.76

Kit consists of: upper and lower check stem O-ring (6" only), check disc, cover O-ring and lubricant.

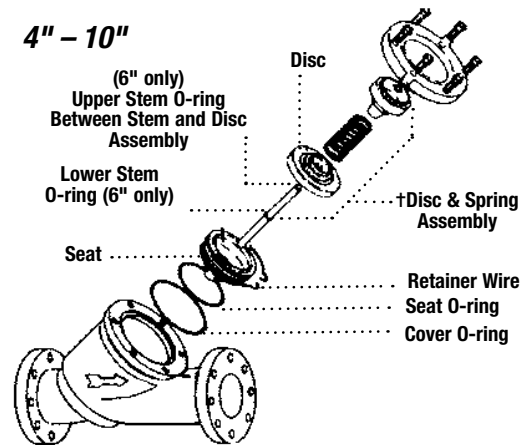
**Cover Kits for Checks**

0887745	RK 909RPDA C	2½" – 3"	205.19
0887746	RK 909RPDA C	4"	229.88
0887747	RK 909RPDA C	6"	320.26
0887748	RK 909RPDA C	8"	524.39
0887749	RK 909RPDA C	10"	1173.65

**2½" – 3"**



**4" – 10"**



†WARNING:

Spring assembly is factory assembled.  
DO NOT DISASSEMBLE.

\*The wetted surface of this product contacted by consumable water contains less than one quarter of one percent (0.25%) of lead by weight.

**Series 919, LF919**
**Reduced Pressure Zone Assemblies**
**Sizes 1/4" - 2"**
**Relief valve kits**

When ordering specify Ordering Code, Kit No., and Valve Size.

Ordering Code	Kit No.	Size	List price (each)
---------------	---------	------	-------------------

**Total Relief Valve Kits**

0888130	RK 919 VT	1/4" - 1/2"	\$78.15
0888131	RK 919 VT	3/4" - 1"	138.91
0888132	RK 919 VT	1 1/4" - 2"	181.78

Kit consists of: Relief Valve Assembly, RV Spring, and RV Cover O-ring.

**Relief Valve Rubber Parts Kits**

0888135	RK 919 RV	1/4" - 1/2"	33.36
0888136	RK 919 RV	3/4" - 1"	39.21
0888137	RK 919 RV	1 1/4" - 2"	44.10

Kit consists of: Relief Valve Disc, RV Diaphragm, RV Seat O-ring and Cover O-ring

**Relief Valve Seat Kits**

0888150	RK 919 SV	1/4" - 1/2"	10.32
0888151	RK 919 SV	3/4" - 1"	11.07
0888153	RK 919 SV	1 1/4" - 2"	8.72

Kit consists of: Relief Valve Seat, RV Seat O-ring and RV Cover O-ring

**Relief Valve Cover Kits**

0794142	LFRK 919 VC	3/4" - 1"	87.87
0794143	LFRK 919 VC	1 1/4" - 2"	90.84

Kit consists of: Relief Valve Cover and Cover O-ring

**Check valve kits**

When ordering specify Ordering Code, Kit No., and Valve Size.

Ordering Code	Kit No.	Size	List price (each)
---------------	---------	------	-------------------

**1st Check Kits**

0888110	RK 919 CK1	1/4" - 1/2"	\$33.36
0888111	RK 919 CK1	3/4"	52.67
0888112	RK 919 CK1	1"	52.67
0888113	RK 919 CK1	1 1/4" - 1 1/2"	96.72
0888114	RK 919 CK1	2"	103.15

Kit consists of: Check Assembly, Spring and Cover O-ring

**2nd Check Kits**

0888115	RK 919 CK2	1/4" - 1/2"	32.56
0888116	RK 919 CK2	3/4"	47.88
0888117	RK 919 CK2	1"	47.88
0888118	RK 919 CK2	1 1/4" - 1 1/2"	90.17
0888119	RK 919 CK2	2"	91.98

Kit consists of: Check Assembly, Spring and Cover O-ring

**1st or 2nd Check Rubber Parts Kits**

0888120	RK 919 RC4	1/4" - 1/2"	9.79
0888121	RK 919 RC4	3/4"	9.79
0888122	RK 919 RC4	1"	9.79
0888123	RK 919 RC4	1 1/4" - 1 1/2"	12.87
0888124	RK 919 RC4	2"	13.57

Kit consists of: Disc, Seat O-ring and Cover O-ring

Ordering Code	Kit No.	Size	List price (each)
---------------	---------	------	-------------------

**Check Seat Kits**

0888125	RK 919 S	1/4" - 1/2"	\$25.54
0888126	RK 919 S	3/4"	33.62
0888127	RK 919 S	1"	34.74
0888128	RK 919 S	1 1/4" - 1 1/2"	52.88
0888129	RK 919 S	2"	58.63

Kit consists of: Seat, Seat O-ring and Cover O-ring

**Complete Valve Rubber Parts Kits**

0888140	RK 919 RT	1/4" - 1/2"	52.99
0888141	RK 919 RT	3/4"	56.50
0888142	RK 919 RT	1"	58.79
0888143	RK 919 RT	1 1/4" - 1 1/2"	71.18
0888144	RK 919 RT	2"	74.64

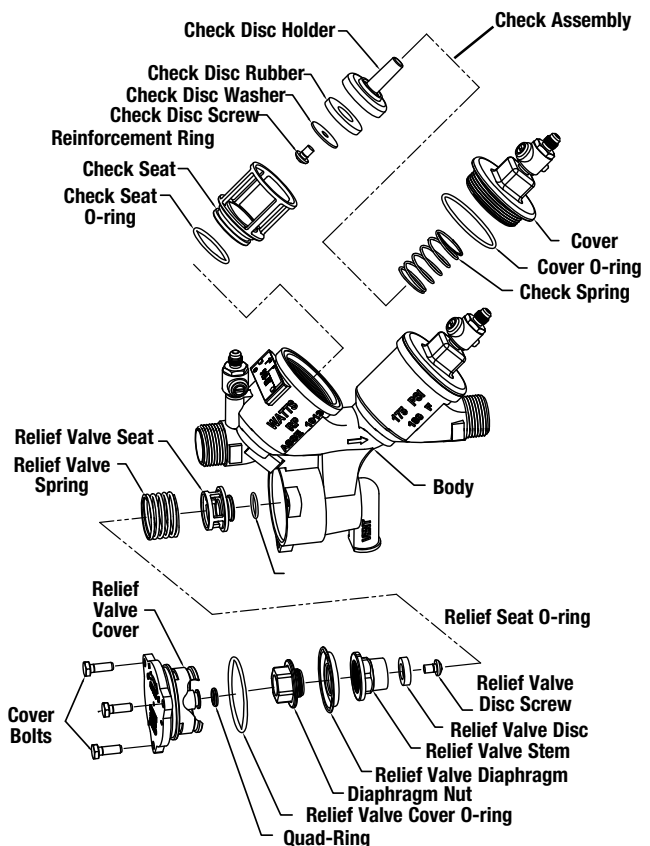
Kit consists of: 2 Check Seat O-rings, 2 Check Cover O-rings, Relief Valve O-ring, Relief Valve Cover O-ring, Relief Valve Stem O-ring

**Check Cover Kits**

0794144	LFRK 919 C	1/4" - 1/2"	63.23
0794145	LFRK 919 C	3/4"	105.85
0794146	LFRK 919 C	1"	105.85
0794147	LFRK 919 C	1 1/4" - 1 1/2"	142.75
0794148	LFRK 919 C	2"	161.16

Kit consists of: Cover and Cover O-ring

Note: For 1/2" and 3/4" 919R10 models use 1" repair kits.



**Series 957, 957RPDA**  
**Reduced Pressure Zone Assemblies**  
**Reduced Pressure Detector Assemblies**  
**Sizes 2½" – 10"**  
**Relief valve kits**

When ordering specify Ordering Code, Kit No., and Valve Size.

Ordering Code	Kit No.	Size	List price (each)
---------------	---------	------	-------------------

**Relief Valve Total Kits**

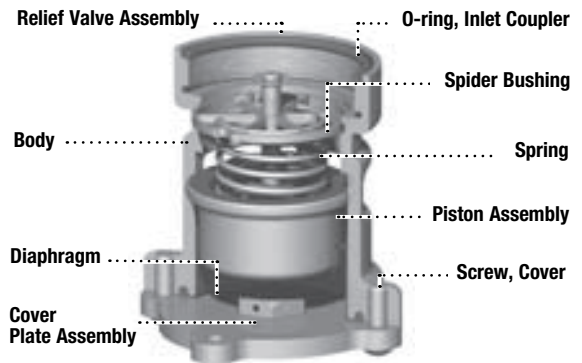
0899232	RK 957/957RPDA VT	2½" – 10"	\$585.20
---------	-------------------	-----------	----------

Kit consists of: complete relief valve assembly.

**Relief Valve Rubber Parts Kits**

0899236	RK 957/957RPDA RV	2½" – 10"	165.19
---------	-------------------	-----------	--------

Kit consists of: diaphragm, inlet coupler O-ring and piston assembly.



**Series 957, 957RPDA**  
**Reduced Pressure Zone Assemblies**  
**Reduced Pressure Detector Assemblies**  
**Sizes 2½" – 10"**  
**Check valve kits**

When ordering specify Ordering Code, Kit No., and Valve Size.

Ordering Code	Kit No.	Size	List price (each)
---------------	---------	------	-------------------

**First Check Kits**

7018129	RK 957/957RPDA CK1	EPDM	2½" – 4"	\$264.24
0889370	RK 957/957RPDA CK1-RS	Red Silicone	2½" – 4"	264.24
7018132	RK 957/957RPDA CK1	EPDM	6"	392.40
0889374	RK 957/957RPDA CK1-RS	Red Silicone	6"	392.40
7018135	RK 957/957RPDA CK1	Red Silicone	8"	624.46
0899215	RK 957/957RPDA CK1	Red Silicone	10"	846.52

Kit consists of: first check module, check module O-ring and disc elastomer.

**Second Check Kits**

0899216	RK 957/957RPDA CK2	EPDM	2½" – 4"	249.19
0889371	RK 957/957RPDA CK2-RS	Red Silicone	2½" – 4"	249.19
0899217	RK 957/957RPDA CK2	EPDM	6"	346.28
0889375	RK 957/957RPDA CK2-RS	Red Silicone	6"	346.28
0899218	RK 957/957RPDA CK2	Red Silicone	8"	574.13
0899219	RK 957/957RPDA CK2	Red Silicone	10"	722.24

Kit consists of: second check module, check module O-ring and disc elastomer.

**First or Second Check Rubber Parts Kits**

0899220	RK 957/957RPDA RC4	EPDM	2½" – 4"	32.35
0889372	RK 957/957RPDA RC4-RS	Red Silicone	2½" – 4"	32.35
0899221	RK 957/957RPDA RC4	EPDM	6"	41.28
0889376	RK 957/957RPDA RC4-RS	Red Silicone	6"	41.28
0899222	RK 957/957RPDA RC4	Red Silicone	8"	57.93
0899223	RK 957/957RPDA RC4	Red Silicone	10"	129.91

Kit consists of: check module O-ring, disc elastomer and E-clip.

**Check Sleeve Cover Kits**

0899240	RK 957/957RPDA C	2½" – 4"	315.80
0899241	RK 957/957RPDA C	6"	423.68
0899242	RK 957/957RPDA C	8"	724.05
0899243	RK 957/957RPDA C	10"	883.01

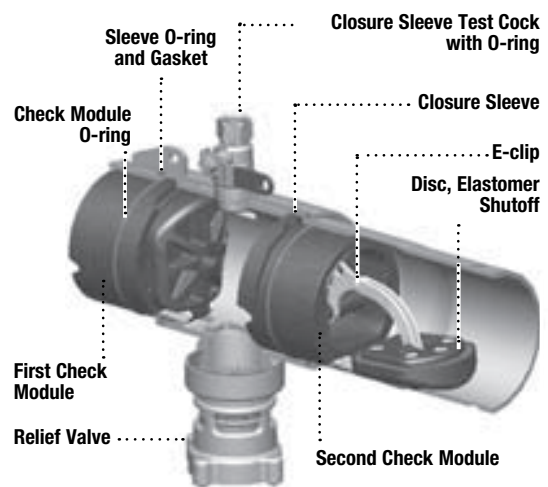
Kit consists of: closure sleeve, sleeve O-ring and gasket.

Ordering Code	Kit No.	Size	List price (each)
---------------	---------	------	-------------------

**Total Rubber Parts Kits**

0899244	RK 957/957RPDA RT	EPDM	2½" – 4"	\$221.21
0889373	RK 957/957RPDA RT-RS	Red Silicone	2½" – 4"	221.21
0899245	RK 957/957RPDA RT	EPDM	6"	238.07
0889377	RK 957/957RPDA RT-RS	Red Silicone	6"	238.07
0899246	RK 957/957RPDA RT	Red Silicone	8"	271.64
0899247	RK 957/957RPDA RT	Red Silicone	10"	446.45

Kit consists of: 1st and 2nd check module O-ring, (2) disc elastomer, (2) E-clips, relief valve diaphragm, relief valve inlet coupler O-ring and relief valve piston assembly.



\*The wetted surface of this product contacted by consumable water contains less than one quarter of one percent (0.25%) of lead by weight.

**Series 990, 990RPDA**
**Reduced Pressure Zone Assemblies**
**Reduced Pressure Detector Assemblies**
**Sizes 4" - 8"**
**Check valve kits**

When ordering specify Ordering Code, Kit No., and Valve Size.

**Series 990**

Ordering Code	Kit No.	Size	List price (each)
---------------	---------	------	-------------------

**First Check Repair Kits**

0887315	RK 990 CK1	4"	\$484.07
0887316	RK 990 CK1	6"	602.22
0887317	RK 990 CK1	8"	1197.96

**Second Check Repair Kits**

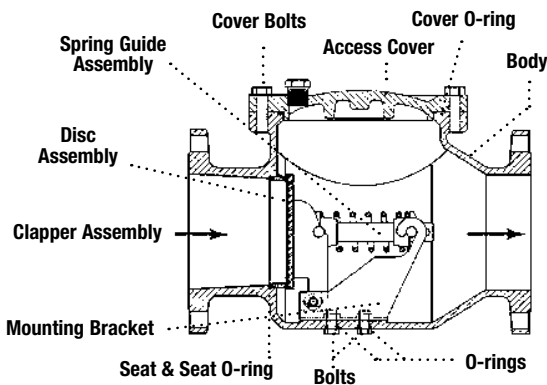
0887318	RK 990 CK2	4"	408.79
0887319	RK 990 CK2	6"	754.91
0887320	RK 990 CK2	8"	1322.02

Kit consists of: spring assembly and cover O-ring.

**Check Rubber Parts**

0887321	RK 990 RC1	4"	561.79
0887322	RK 990 RC1	6"	710.75
0887313	RK 990 RC2	4"	561.79
0887314	RK 990 RC2	6"	710.75
0887323	RK 990 RC4	8"	907.01

Kit consists of: cover O-ring, two bolt O-rings and disc assembly for one check.


**Series 990RPDA**

Ordering Code	Kit No.	Size	List price (each)
---------------	---------	------	-------------------

**First Check Repair Kits**

0887340	RK 990RPDA CK1	4"	\$484.07
0887341	RK 990RPDA CK1	6"	602.22
0887342	RK 990RPDA CK1	8"	1197.96

**Second Check Repair Kits**

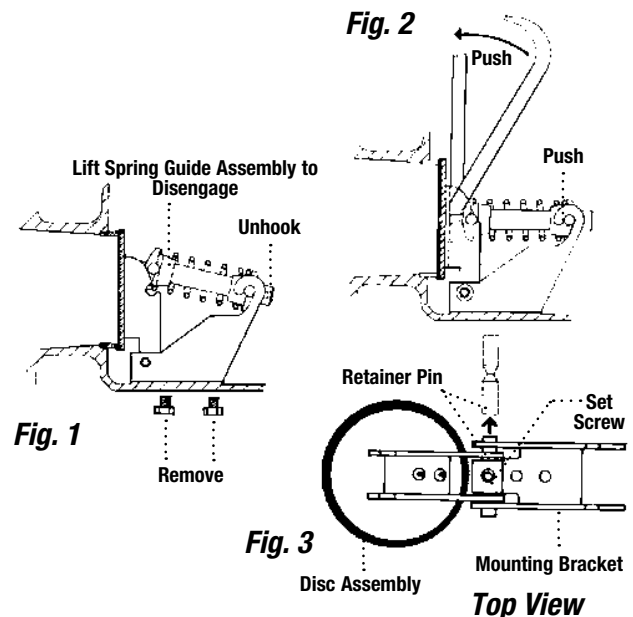
0887343	RK 990RPDA CK2	4"	408.79
0887344	RK 990RPDA CK2	6"	754.91
0887345	RK 990RPDA CK2	8"	1322.02

Kit consists of: spring assembly and cover O-ring.

**Check Rubber Parts**

0887346	RK 990RPDA RC1	4"	561.79
0887347	RK 990RPDA RC1	6"	710.75
0887366	RK 990RPDA RC2	4"	561.79
0887367	RK 990RPDA RC2	6"	662.77
0887348	RK 990RPDA RC4	8"	907.01

Kit consists of: cover O-ring, two bolt O-ring and disc assembly for one check.



**Series 992, 992RPDA**  
**Reduced Pressure Zone Assemblies**  
**Reduced Pressure Detector Assemblies**  
**Sizes 4" - 10"**  
**Check valve kits**

**NOTE: 992 Series utilizes 990 Repair Kits**  
 When ordering specify Ordering Code, Kit No., and Valve Size.

**Series 992**

Ordering Code	Kit No.	Size	List price (each)
---------------	---------	------	-------------------

**First Check Repair Kits**

0887315	RK 990 CK1	4"	\$484.07
0887316	RK 990 CK1	6" - 8"	602.22
0887317	RK 990 CK1	10"	1197.96

**Second Check Repair Kits**

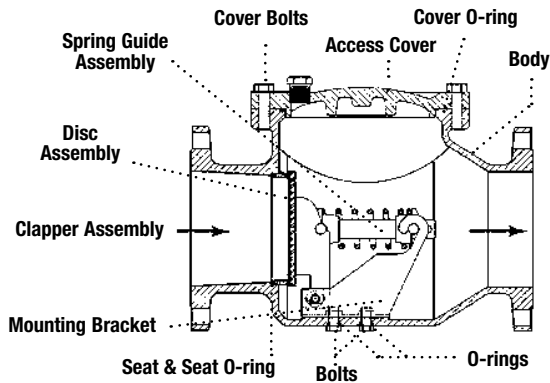
0887318	RK 990 CK2	4"	408.79
0887319	RK 990 CK2	6" - 8"	754.91
0887320	RK 990 CK2	10"	1322.02

Kit consists of: spring assembly and cover O-ring.

**Check Rubber Parts**

0887321	RK 990 RC4	4"	561.79
0887322	RK 990 RC4	6" - 8"	710.75
0887323	RK 990 RC4	10"	907.01

Kit consists of: cover O-ring, two bolt O-rings and disc assembly for one check.



**Series 992RPDA**

Ordering Code	Kit No.	Size	List price (each)
---------------	---------	------	-------------------

**First Check Repair Kits**

0887340	RK 990RPDA CK1	4"	\$484.07
0887341	RK 990RPDA CK1	6" - 8"	602.22
0887342	RK 990RPDA CK1	10"	1197.96

**Second Check Repair Kits**

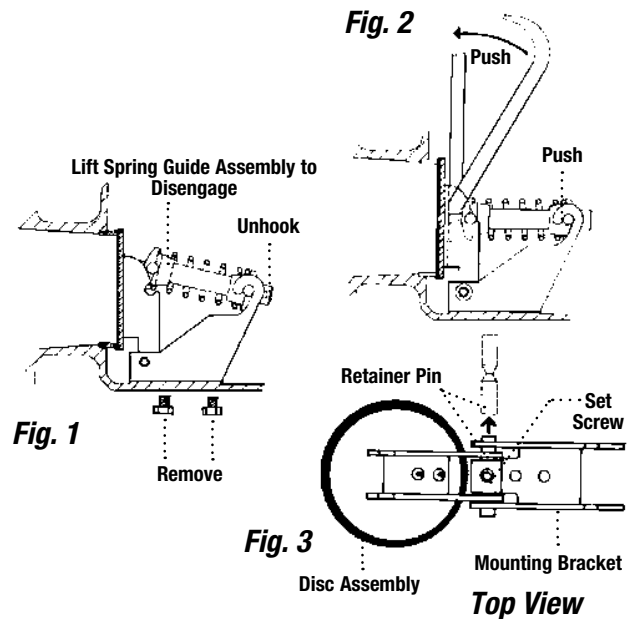
0887343	RK 990RPDA CK2	4"	408.79
0887344	RK 990RPDA CK2	6" - 8"	754.91
0887345	RK 990RPDA CK2	10"	1322.02

Kit consists of: spring assembly and cover O-ring.

**Check Rubber Parts**

0887346	RK 990RPDA RC4	4"	561.79
0887347	RK 990RPDA RC4	6" - 8"	710.75
0887348	RK 990RPDA RC4	10"	907.01

Kit consists of: cover O-ring, two bolt O-ring and disc assembly for one check.



\*The wetted surface of this product contacted by consumable water contains less than one quarter of one percent (0.25%) of lead by weight.

**Series 993, 993RPDA**  
**Reduced Pressure Zone Assemblies**  
**Reduced Pressure Detector Assemblies**  
**Sizes 4" and 6"**

**Check valve kits**

When ordering specify Ordering Code, Kit No., and Valve Size.

**Series 993**

Ordering Code	Kit No.	Size	List price (each)
---------------	---------	------	-------------------

**First Check Rubber Parts Kits**

0888042	RK 993 RC1	4"	\$86.93
0888502	RK 993 RC1	6"	98.79

**Second Check Rubber Parts Kits**

0888043	RK 993 RC2	4"	86.93
0888503	RK 993 RC2	6"	98.79

Kit consists of: disc assembly, cover O-ring and lubricant.

**Cover Kits**

0888047	RK 993 C	4"	249.40
0888506	RK 993 C	6"	347.45

Kit consists of: cover, cover O-ring and lubricant.

**Series 993RPDA**

Ordering Code	Kit No.	Size	List price (each)
---------------	---------	------	-------------------

**First Check Rubber Parts Kits**

0888402	RK 993RPDA RC1	4"	\$86.93
0888512	RK 993RPDA RC1	6"	98.79

**Second Check Rubber Parts Kits**

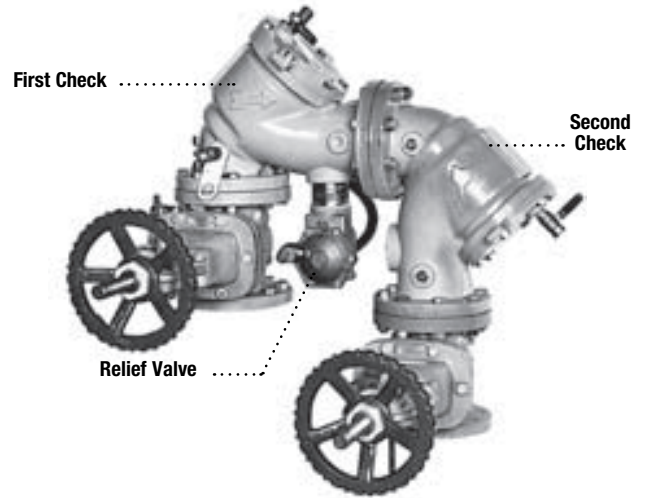
0888403	RK 993RPDA RC2	4"	86.93
0888513	RK 993RPDA RC2	6"	98.79

Kit consists of: disc assembly, cover O-ring and lubricant.

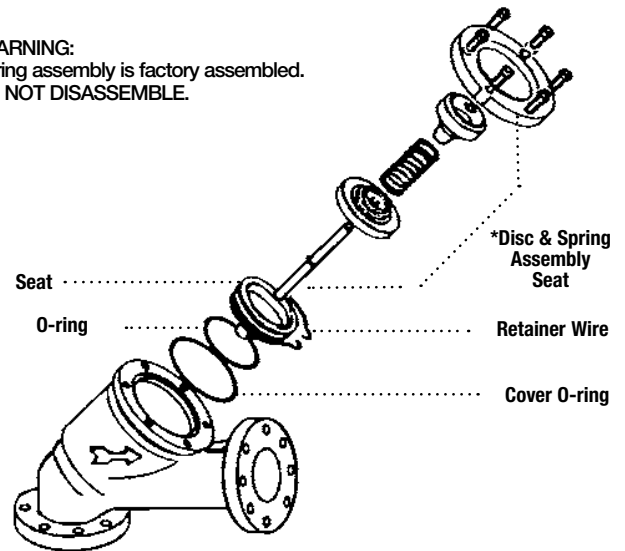
**Cover Kits**

0888407	RK 993RPDA C	4"	249.40
0888516	RK 993RPDA C	6"	347.45

Kit consists of: cover, cover O-ring and lubricant.



**\*WARNING:**  
 Spring assembly is factory assembled.  
 DO NOT DISASSEMBLE.



\*The wetted surface of this product contacted by consumable water contains less than one quarter of one percent (0.25%) of lead by weight.

**Series 994, 994RPDA**  
**Reduced Pressure Zone Assemblies**  
**Reduced Pressure Detector Assemblies**  
**Sizes 2½" – 10"**

**Repair Kits**

When ordering specify Ordering Code, Kit No., and Valve Size.

Ordering Code	Kit No.	Size	List price (each)
---------------	---------	------	-------------------

**First Check Rubber Parts Kits**

0888830	RK 994/994 RPDA CK1	2½", 3", 4"	\$262.54
0888831	RK 994/994 RPDA CK1	6"	281.85
0888832	RK 994/994 RPDA CK1	8", 10"	1195.83

Kit consists of: complete No. 1 check with check O-ring.

**Second Check Kits**

0888833	RK 994/994 RPDA CK2	2½", 3", 4"	237.17
0888834	RK 994/994 RPDA CK2	6"	252.81
0888835	RK 994/994 RPDA CK2	8", 10"	729.16

Kit consists of: complete No. 2 check with check O-ring.

**Cover Kits**

0888836	RK 994/994 RPDA C	2½", 3", 4"	227.54
0888837	RK 994/994 RPDA C	6"	322.87
0888838	RK 994/994 RPDA C	8", 10"	496.78

Kit consists of: cover, grooved coupler, gasket.

**Relief Valve Rubber Parts Kits**

0888839	RK 994/994 RPDA RV	2½" – 10"	144.86
---------	--------------------	-----------	--------

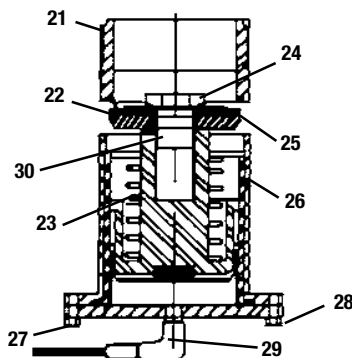
Kit consists of: rubber disc, piston diaphragm assembly, disc retainer, relief valve body O-ring.

**Relief Valve Total Kits**

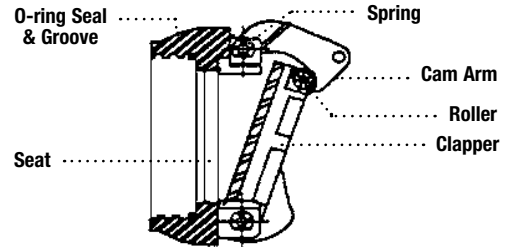
0888840	RK 994/994 RPDA VT	2½" – 10"	913.87
---------	--------------------	-----------	--------

Kit consists of: body, disc, piston diaphragm assembly, hex head bolt, disc retainer, sleeve, bottom bolt, shut-off plate and bottom flange.

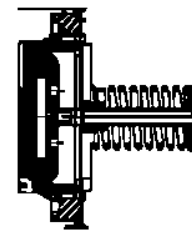
**NOTE:** Use 2½"– 4" repair kits for repair of 994 BLT, 994 HMB



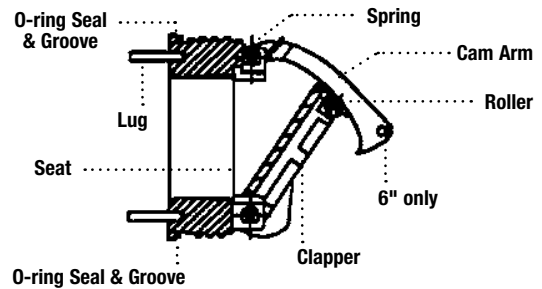
**No. 1 Check 2½" & 6"**



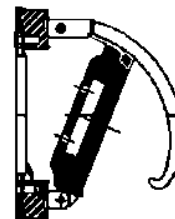
**No. 1 Cam-Check 8" & 10"**



**No. 2 Check 2½" & 6"**



**No. 2 Cam-Check 8" & 10"**



**Parts Table**

ITEM	PART DESCRIPTION	QTY.
21	Relief valve body	1
22	Rubber shutoff disc	1
23	Piston diaphragm assembly	1
24	Hex head bolt	1
25	Disc retainer	1
26	Sleeve	1
27	Bottom bolt	1
28	Bottom flange (w. st. elbow)	1
29	Bottom St. Elbow	1
30	O-ring disc	1

\*The wetted surface of this product contacted by consumable water contains less than one quarter of one percent (0.25%) of lead by weight.

## Series 995

### Reduced Pressure Zone Assemblies

Sizes 1/2" - 1 1/2"

### Repair kits

When ordering specify Ordering Code, Kit No., and Valve Size.

Ordering Code	Kit No.	Size	List price (each)
---------------	---------	------	-------------------

#### First Check Kits

0888580	RK 995 CK1	1/2" - 3/4"	\$29.53
0888581	RK 995 CK1	1"	53.84
0888050	RK 995 CK1	1 1/4" - 1 1/2"	98.63

Kit consists of: check assembly and cover O-ring.

#### Second Check Kits

0888582	RK 995 CK2	1/2" - 3/4"	24.31
0888583	RK 995 CK2	1"	49.05
0888052	RK 995 CK2	1 1/4" - 1 1/2"	91.98

Kit consists of: check assembly and cover O-ring.

#### First Check Rubber Parts

0888584	RK 995 RC1	1/2" - 3/4"	9.95
0888585	RK 995 RC1	1"	9.95
0888054	RK 995 RC1	1 1/4" - 1 1/2"	13.03

Kit consists of: seat O-ring, disc assembly and cover O-ring.

#### Second Check Rubber Parts

0888586	RK 995 RC2	1/2" - 3/4"	9.95
0888587	RK 995 RC2	1"	9.95
0888056	RK 995 RC2	1 1/4" - 1 1/2"	13.03

Kit consists of: seat O-ring, disc assembly and cover O-ring.

#### Cover Kits

0888590	RK 995 C	1/2" - 3/4"	56.23
0888591	RK 995 C	1"	81.50
0888064	RK 995 C	1 1/4" - 1 1/2"	109.27

Kit consists of: cover and cover O-ring.

#### Relief Valve Kits

0888589	RK 995 VT	1/2" - 1"	142.15
0888060	RK 995 VT	1 1/4" - 1 1/2"	185.14

Kit consists of: seat, seat O-ring, stem and diaphragm assembly, stem O-ring, cover O-ring and relief valve spring.

#### Relief Valve Rubber Parts Kits

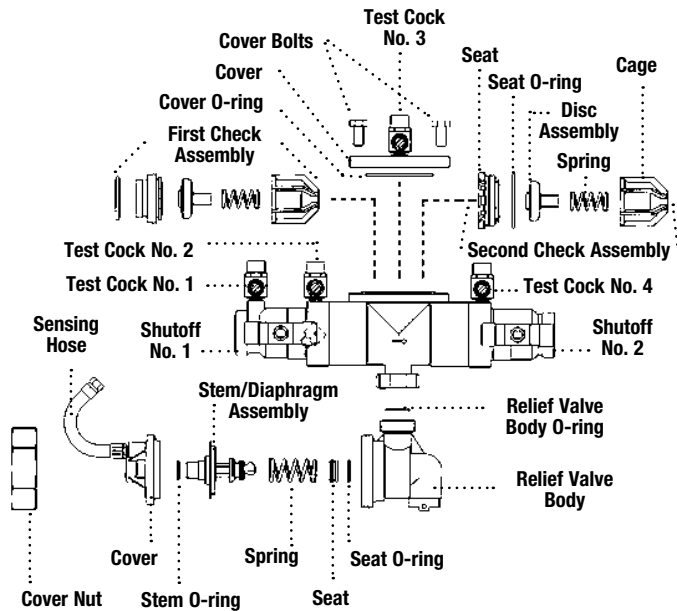
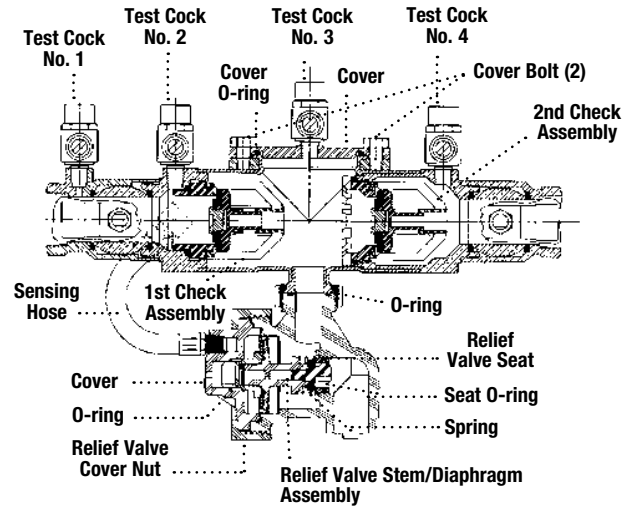
0888588	RK 995 RV	1/2" - 1"	40.22
0888058	RK 995 RV	1 1/4" - 1 1/2"	45.01

Kit consists of: diaphragm, disc, stem spring, seat O-ring and cover O-ring.

#### Total Rubber Parts Kits

0888592	RK 995 RT	1/2" - 3/4"	57.67
0888593	RK 995 RT	1"	57.67
0888062	RK 995 RT	1 1/4" - 1 1/2"	72.51

Kit consists of: diaphragm, relief valve disc, two check valve disc assemblies, stem O-ring, cover O-ring, two check seat O-rings, relief valve seat O-ring and relief valve body O-ring.



\*The wetted surface of this product contacted by consumable water contains less than one quarter of one percent (0.25%) of lead by weight.

**Series 995, 995RPDA**  
**Reduced Pressure Zone Assemblies**  
**Reduced Pressure Detector Assemblies**  
**Sizes 3" - 6"**  
**Repair Kits**

When ordering specify Ordering Code, Kit No., and Valve Size.

ORDERING CODE	KIT NO.	SIZE	FOR USE W/MODEL #S	LIST PRICE (each)
---------------	---------	------	--------------------	-------------------

**First Check Kits**

0888915	RK 995/995 RPDA CK1	3" - 4"	3" - 4" 995/995 RPDA	\$403.79
0888916	RK 995/995 RPDA CK1	6"	6" 995/995 RPDA	541.95

Kit consists of: complete #1 check assembly and check O-ring.

**Second Check Kits**

0888917	RK 995/995 RPDA CK2	3" - 4"	3" - 4" 995/995 RPDA	458.69
0888918	RK 995/995 RPDA CK2	6"	6" 995/995 RPDA	633.93

Kit consists of: complete #2 check assembly and check O-ring.

**First Check Rubber Parts Kits**

0888923	RK 995/995 RPDA RC1	3" - 4"	3" - 4" 995/995 RPDA	16.33
0888924	RK 995/995 RPDA RC1	6"	6" 95/995 RPDA	23.25

Kit consists of: first check assembly O-ring, check disc, and (2) C-clips.

**Second Check Rubber Parts Kits**

0888925	RK 995/995 RPDA RC2	3" - 4"	3" - 4" 995/995 RPDA	25.27
0888926	RK 995/995 RPDA RC2	6"	6" 995/995 RPDA	37.03

Kit consists of: second check assembly O-ring, check disc, and (2) C-clips.

**Rubber Total Parts Kits**

0888927	RK 995/995 RPDA RT	3" - 4"	3" - 4" 995/995 RPDA	378.46
0888928	RK 995/995 RPDA RT	6"	6" 995/995 RPDA	470.93

Kit consists of: first and second check assembly O-ring, first and second check disc, (4) C-clips, RV diaphragm, RV disc, RV lower O-ring, RV upper O-ring.

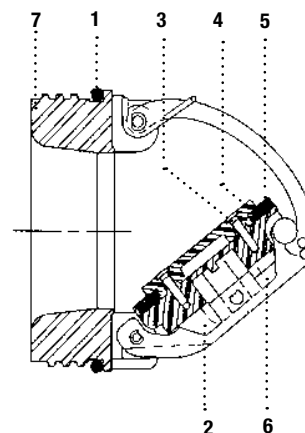
**Cover Kits**

0888929	RK 995/995 RPDA C	3" - 4"	3" - 4" 995/995 RPDA	259.19
0888930	RK 995/995 RPDA C	6"	6" 995/995 RPDA	486.25

Kit consists of: cover and cover O-ring.

**Parts Table**

ITEM	PART DESCRIPTION	QTY.
1	1st Cam-Check O-ring (removable)	1
2	Clapper Assembly (removable)	1
3	Clapper Retaining Plate Screws (removable)	4
4	Clapper Retainer Plate (removable)	1
5	Clapper Disc (removable)	1
6	Pivot Arm Pin (removable) 2 c-clips	1
7	2nd Cam-Check O-ring (removable)	1



Note: Align holes and insert pin or small screwdriver to hold in open position.

\*The wetted surface of this product contacted by consumable water contains less than one quarter of one percent (0.25%) of lead by weight.

**Series 995, 995RPDA**
**Reduced Pressure Zone Assemblies**
**Reduced Pressure Detector Assemblies**
**Sizes 3" - 6"**
**Relief Valve Kits**

When ordering specify Ordering Code, Kit No., and Valve Size.

Ordering Code	Kit No.	Size	List price (each)
---------------	---------	------	-------------------

**Relief Valve Total Kits**

0888919	RK 995/995 RPDA VT	3" - 4"	\$1015.85
0888920	RK 995/995 RPDA VT	6"	1021.71
0888933	RK 995/995 RPDAM1 VT	3" - 4"	1015.85
0888934	RK 995/995 RPDAM1 VT	6"	1021.71

Kit consists of: relief valve assembly, cover plate, diaphragm, and all relief valve components.

**Relief Valve Rubber Parts List**

0888921	RK 995/995 RPDA RV	3" - 4"	351.28
0888922	RK 995/995 RPDA RV	6"	411.56
0888931	RK 995/995 RPDAM1 RV	3" - 4"	351.28
0888932	RK 995/995 RPDAM1 RV	6"	411.56

Kit consists of: RV diaphragm, RV disc, lower O-ring, upper O-ring.

**RELIEF VALVE SERVICE INSTRUCTIONS**

1. Prior to beginning any maintenance work, shut down the water supply to the unit.
2. The relief valve is an integral part of the lid assembly and may be serviced when the lid assembly is removed from the body of the valve.
3. The relief valve may be disconnected from the sensing line hose if desired to enable easier access to all parts of the assembly.

**REPLACING THE SEALING DISC**

1. Unscrew the lower guide, (5) from the shaft (3).
2. Replace the sealing disc assembly (4).
3. Screw the lower guide (5) back into the shaft (3). The lower guide will seal the assembly with pressure against the elastomer in the sealing disc assembly (4).

**COMPLETE DISASSEMBLY OF THE RELIEF VALVE**

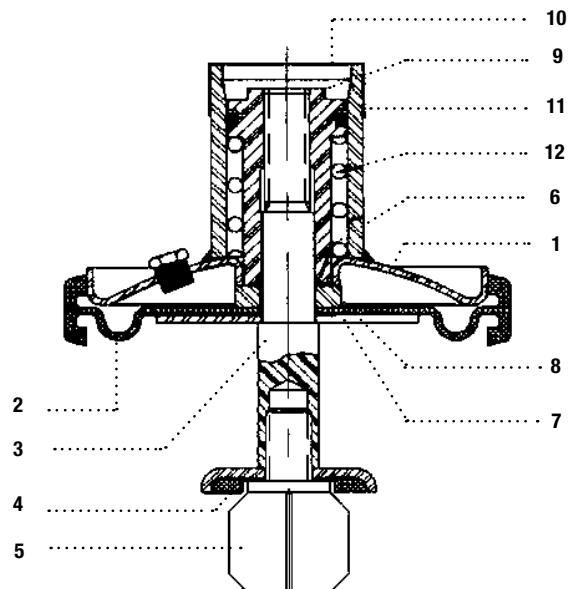
1. Remove the sealing disc as above.
2. Remove the dust cover (10) from the cover weldment (1).
3. Unload the internal spring by unscrewing the guide, shaft (9) using a socket wrench.
4. Draw the shaft out through the bottom of the diaphragm.
5. Remove the spring through the top of the cover weldment.
6. Remove guide O-ring (6).
7. Remove O-ring (12) from the guide shaft.

**REASSEMBLY**

1. Replace all O-rings
2. Reverse disassembly steps above.

**Parts Table**

ITEM	PART DESCRIPTION	QTY.
1	Cover	1
2	Diaphragm/Gasket	1
3	Shaft	1
4	Sealing Disc	1
5	Guide, Lower	1
6	O-ring	1
7	Support Disc	1
8	Disc, Diaphragm Stop	1
9	Guide, Upper	1
10	Cover, Dust	1
11	O-ring, Upper	1
12	Spring	1



\*The wetted surface of this product contacted by consumable water contains less than one quarter of one percent (0.25%) of lead by weight.

## Troubleshooting Guide

### Reduced Pressure Zone Assemblies, Reduced Pressure Detector Assemblies

PROBLEM	CAUSE	Should valve be replaced?	SOLUTION
<b>A. Valve spits periodically from the vent.</b>			
	A.1 Fluctuating supply pressure.	No	A.1 Install a spring-loaded, soft seated check valve immediately upstream of the device.
	A.2 Fluctuating downstream pressure.	No	A.2 Install a spring-loaded, soft seated check valve downstream of the device as close as possible to the shutoff valve.
<b>B. Valve drips continually from the vent.</b>			
	B.1 Fouled first check.	No	B.1 Flush valve. If flushing does not resolve problem, disassemble valve and clean or replace the first check.
	B.2 Damaged or fouled relief valve seat.	No	B.2 Clean or replace the relief valve seat.
	B.3 Relief valve piston "O" ring not free to move due to pipe scale, dirt or build-up of mineral deposits.	No	B.3 Clean, grease or replace the piston "O" ring.
	B.4 Excessive backpressure, freezing, or water	No	B.4 Eliminate source of excessive backpressure or hammer has distorted the second check water hammer in the system downstream of the device. Use Watts Series 601 to dampen out backpressure and Series 15 to eliminate water hammer. Replace defective second check assembly. In case of freezing; thaw, disassemble, and inspect internal components. Replace as necessary.
	B.5 Electrolysis of relief valve seat or first .	No	B.5 Replace relief valve seat or inlet cover. Install check seats dielectric unions (Watts Series 3001 through 3006). Electrically ground the piping system and/or electrically isolate the device with plastic pipe immediately upstream and downstream of the device.
	B.6 Valve improperly reassembled.	No	B.6 If valve is disassembled during installation, caution must be exercised to install check springs in their proper location.
<b>C. Valve exhibits high pressure drop.</b>			
	C.1 Fouled strainer.	No	C.1 Clean strainer element or replace.
	C.2 Valve too small for flows encountered.	Yes	C.2 Install proper size device based upon flow requirements.
<b>D. No water flows downstream of valve.</b>			
	D. Valve installed backwards.	No	D. Install valve in accordance with flow direction arrow.
<b>E. Valve does not test properly.</b>			
	E.1 Follow manufacturer's test procedure.	No	E.1, E.2 Clean or replace gate valve with full port ball valves or resilient wedge shutoff valves.
	E.2 Leaky downstream gate valve.	No	
<b>F. Valve quickly and repeatedly fouls following servicing.</b>			
	F. Debris in pipe line is too fine to be trapped.	No	F. Install finer mesh strainer element in the strainer by strainer
<b>G. Winterization of backflow preventers.</b>			
			G. Prevent freeze damage by enclosing in a WATTSBOX heated enclosure. For additional information, send for literature ES-WB.

\*The wetted surface of this product contacted by consumable water contains less than one quarter of one percent (0.25%) of lead by weight.

**Series 008, LF008, 008PC, LF008PC**
**Anti-Siphon, Anti-Spill Vacuum Breaker**
**Sizes 3/8" - 1"**
**Repair Kits**

When ordering specify Ordering Code, Kit No., and Valve Size.

Ordering Code	Kit No.	Size	List price (each)
---------------	---------	------	-------------------

**Check Kits**

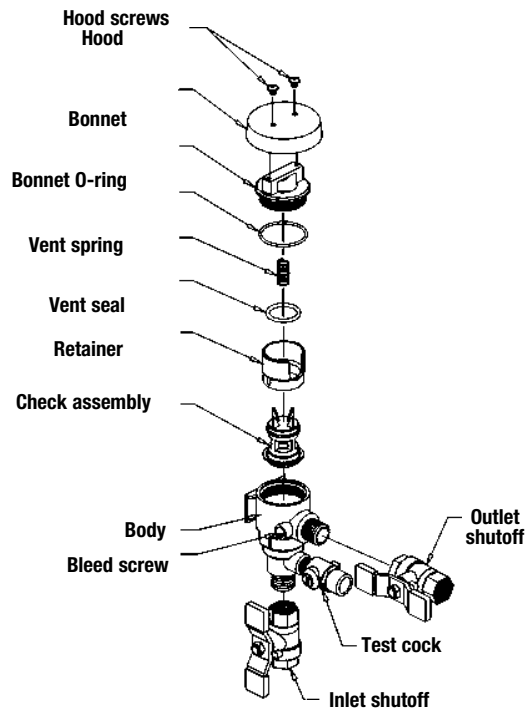
0887972	RK 008 T	3/8", 1/2"	\$48.62
0887974	RK 008 T	3/4" - 1"	99.43

Kit consists of: check assembly, O-ring, spring, vent O-ring, bleed screw O-ring and retainer.

**Bonnet Kits**

0888012	RK 008 B	3/8", 1/2"	15.59
0887973	RK 008 B	3/4" - 1"	33.20

Kit consists of: bonnet, bonnet O-ring and vent spring.



\*The wetted surface of this product contacted by consumable water contains less than one quarter of one percent (0.25%) of lead by weight.

**Series 800M4, LF800M4, 800M4FR, LF800M4FR**
**Pressure Vacuum Breaker**
**Sizes 1/2" - 2"**
**Repair Kits**

When ordering specify Ordering Code, Kit No., and Valve Size.

Ordering Code	Kit No.	Size	List price (each)
---------------	---------	------	-------------------

**Check Kits**

0887703	**RK 800M4 CK	1/2", 3/4"	\$20.38
0887704	**RK 800M4 CK	1"	20.38
0887705	**RK 800M4 CK	1 1/4" - 2"	36.12

Kit consists of: check disc assembly (disc &amp; disc holder), bonnet O-ring and check spring. \*\*Fits 800M4FR models

**Vent Float Kits**

0887709	RK 800M4 V	1/2", 3/4"	8.99
0887710	RK 800M4 V	1"	8.99
0887711	RK 800M4 V	1 1/4" - 2"	32.56

Kit consists of: float vent disc assembly (vent float, seal &amp; spring) and bonnet O-ring.

**FR Vent Float Kits**

0887725	RK 800M4 FRV	1/2", 3/4"	26.44
0887715	RK 800M4 FRV	1"	31.33
0887716	RK 800M4 FRV	1 1/4" - 2"	38.41

Kit consists of: float disc assembly, vent spring and bonnet O-ring.

**Retrofit Kits**
**(Kits to convert 800M4QT to 800M4FR)**

0887726	Retro 800M4 FR	1/2", 3/4"	28.04
0887718	Retro 800M4 FR	1"	46.23
0887717	Retro 800M4 FR	1 1/4" - 2"	56.23

Kit consists of: float disc assembly, vent spring, bonnet, bonnet O-ring. (1 1/4" - 2" Kit also includes hood &amp; screws)

**Bonnet Assembly Kits**

0887700	RK 800M4 B	1/2", 3/4"	30.00
0887701	RK 800M4 B	1"	30.59
0887702	RK 800M4 B	1 1/4" - 2"	66.34

Kit consists of: bonnet, bonnet O-ring, vent spring, hood &amp; hood screws.

**Rubber Parts Kits**

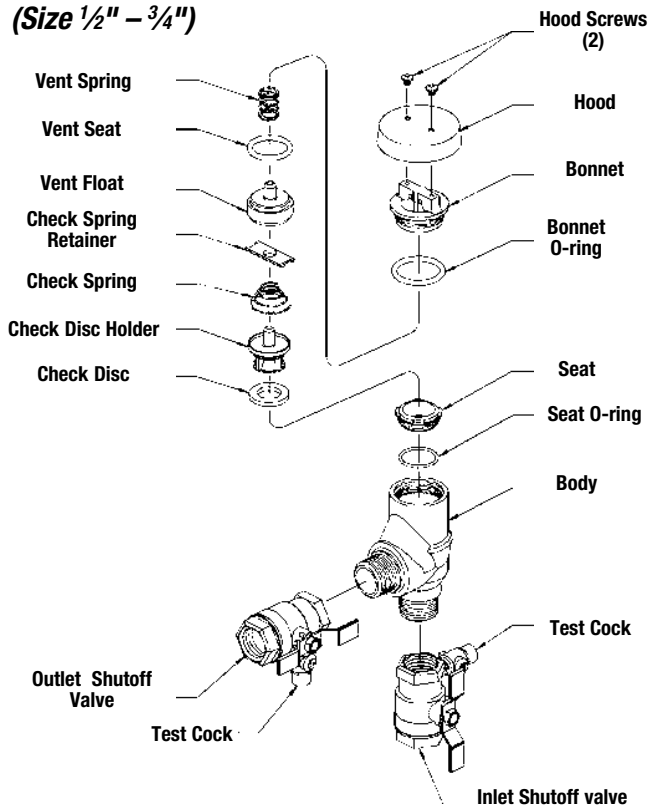
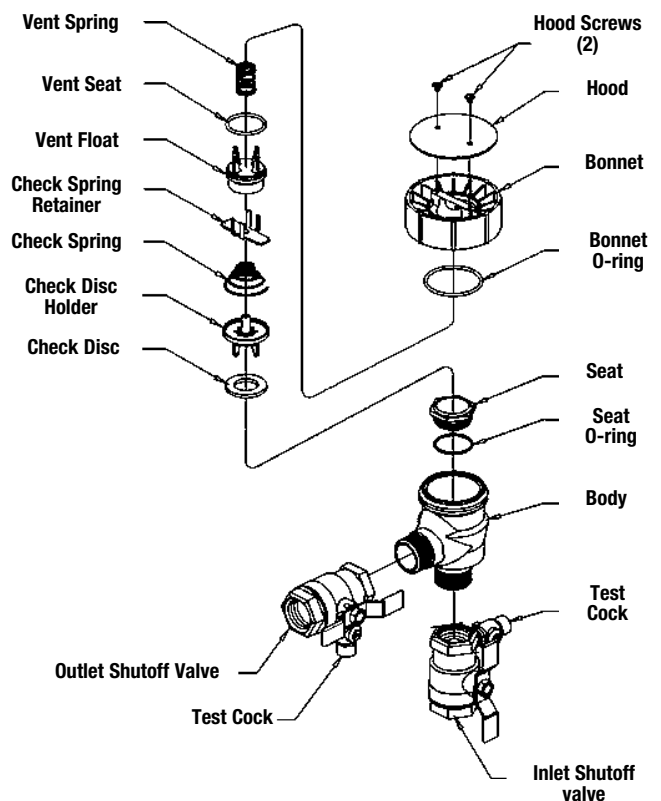
0887706	RK 800M4 RT	1/2", 3/4"	12.87
0887707	RK 800M4 RT	1"	13.35
0887708	RK 800M4 RT	1 1/4" - 2"	19.21

Kit consists of: vent seal, check disc and bonnet O-ring.

**Seat Kits**

0887712	RK 800M4 S	1/2", 3/4"	15.43
0887713	RK 800M4 S	1"	30.96
0887714	RK 800M4 S	1 1/4" - 2"	44.37

Kit consists of: seat, seat O-ring and bonnet O-ring.

**(Size 1/2" - 3/4")**

**(Size 1" - 2")**


\*The wetted surface of this product contacted by consumable water contains less than one quarter of one percent (0.25%) of lead by weight.

**Series 800M3**
**Pressure Vacuum Breaker**
**Sizes 1/2" and 3/4"**
**Repair Kits**

When ordering specify Ordering Code, Kit No., and Valve Size.

Ordering Code	Kit No.	Size	List price (each)
---------------	---------	------	-------------------

**Check Kits**

0886042	RK 800M3 CK	1/2", 3/4"	\$21.55
---------	-------------	------------	---------

Kit consists of: check disc assembly (disc &amp; disc holder), bonnet O-ring and check spring.

**Vent Float Kits**

0886041	RK 800M3 V	1/2", 3/4"	10.21
---------	------------	------------	-------

Kit consists of: float vent disc assembly (vent float, seal &amp; spring) and bonnet O-ring.

**Bonnet Assembly Kits**

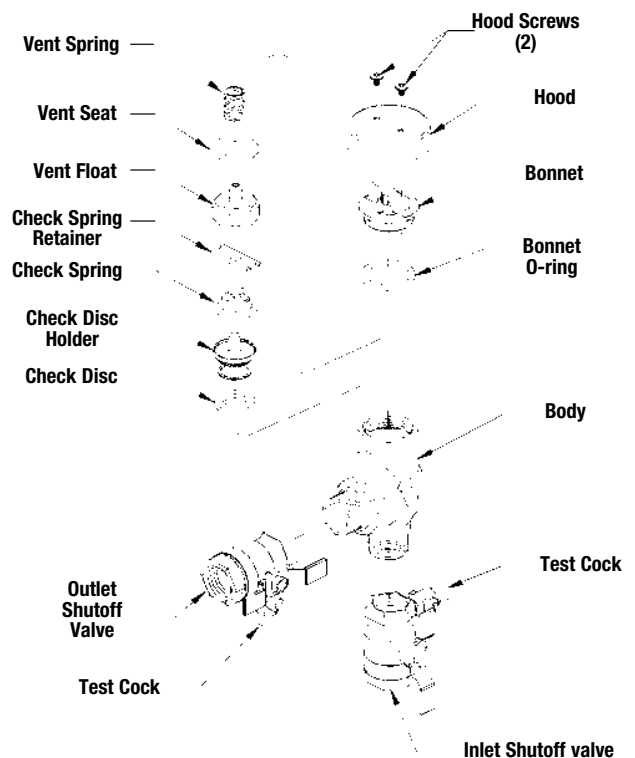
0886040	RK 800M3 B	1/2", 3/4"	32.51
---------	------------	------------	-------

Kit consists of: bonnet, bonnet O-ring, vent spring, hood &amp; hood screws.

**Rubber Part Kits**

0886039	RK 800M3 RT	1/2", 3/4"	14.26
---------	-------------	------------	-------

Kit consists of: vent seal, check disc and bonnet O-ring.


**Series 800M2**
**Pressure Vacuum Breaker**
**Sizes 1/2" - 2"**
**Repair Kits**

When ordering specify Ordering Code, Kit No., and Valve Size.

Ordering Code	Kit No.	Size	List price (each)
---------------	---------	------	-------------------

**Check Kits**

0886037	RK 800M2 CK	1/2" - 1"	\$21.55
---------	-------------	-----------	---------

0886038	RK 800M2 CK	1 1/4" - 2"	38.20
---------	-------------	-------------	-------

Kit consists of: check disc assembly (disc &amp; holder), bonnet O-ring and check spring.

**Vent Float Kits**

0886035	RK 800M2 V	1/2" - 1"	10.21
---------	------------	-----------	-------

0886036	RK 800M2 V	1 1/4" - 2"	25.06
---------	------------	-------------	-------

Kit consists of: float vent disc assembly (vent float, seal &amp; spring) and bonnet O-ring.

**Bonnet Assembly Kits**

0886033	RK 800M2 B	1/2" - 1"	32.51
---------	------------	-----------	-------

0886034	RK 800M2 B	1 1/4" - 2"	71.61
---------	------------	-------------	-------

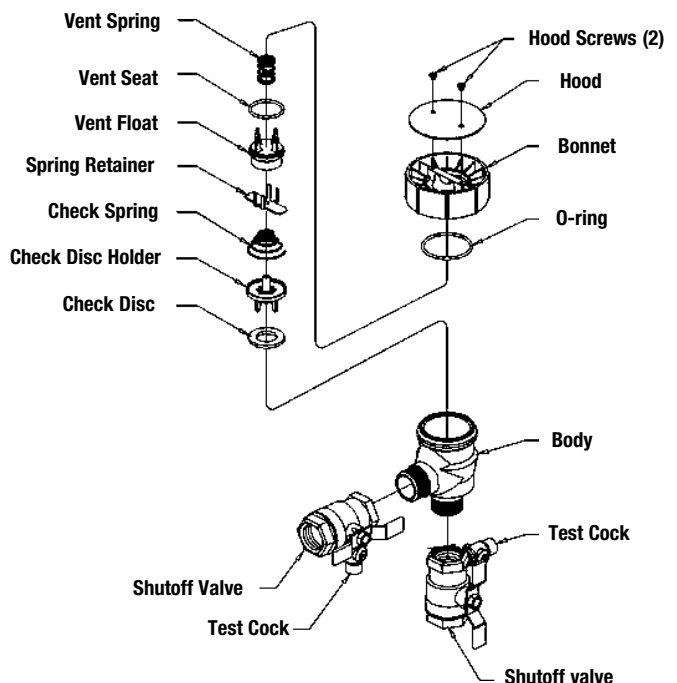
Kit consists of: bonnet, bonnet O-ring, vent spring, hood &amp; hood screws.

**Rubber Parts Kits**

0886031	RK 800M2 RT	1/2" - 1"	14.74
---------	-------------	-----------	-------

0886032	RK 800M2 RT	1 1/4" - 2"	20.96
---------	-------------	-------------	-------

Kit consists of: vent seal, check disc and bonnet O-ring.



\*The wetted surface of this product contacted by consumable water contains less than one quarter of one percent (0.25%) of lead by weight.

**Series 800**

**Pressure Vacuum Breaker**

Sizes 1/2" - 2"

**Repair Kits**

When ordering specify Ordering Code, Kit No., and Valve Size.

Ordering Code	Kit No.	Size	List price (each)
---------------	---------	------	-------------------

**Check Kits**

0886027	RK 800 CK	1/2" - 1"	\$38.36
---------	-----------	-----------	---------

Kit consists of: check disc assembly (disc holder, disc, washer, guide and screw), bonnet O-ring and check spring.

**Vent Float Kits**

0886025	RK 800 V	1/2" - 1"	38.36
0886026	RK 800 V	1 1/4" - 2"	141.14

Kit consists of: float vent disc assembly and bonnet O-ring.

**Bonnet Kits**

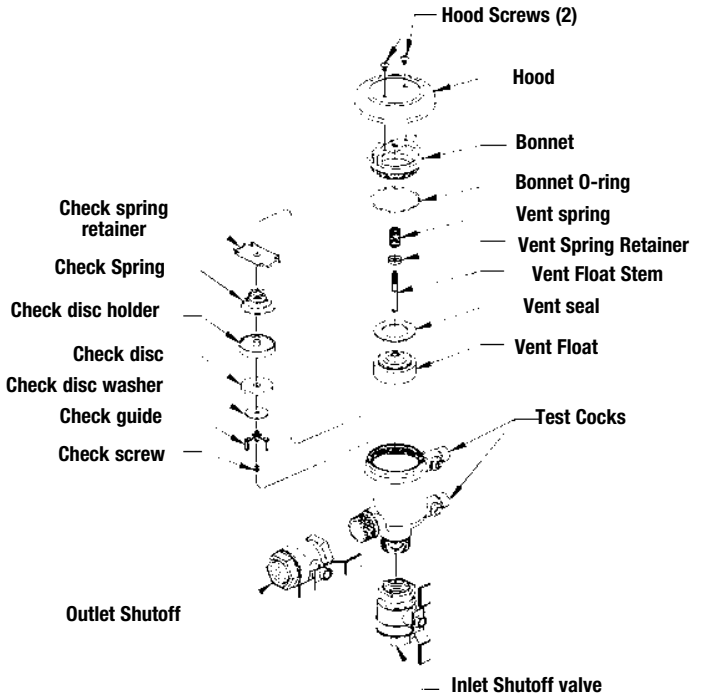
0886023	RK 800 B	1/2" - 1"	79.85
0886024	RK 800 B	1 1/4" - 2"	139.12

Kit consists of: bonnet, vent float stem, vent retainer, spring and bonnet O-ring.

**Rubber Parts Kits**

0886021	RK 800 RT	1/2" - 1"	33.89
0886022	RK 800 RT	1 1/4" - 2"	56.02

Kit consists of: vent seal, check disc and bonnet O-ring.

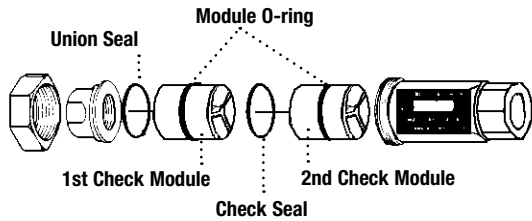


\*The wetted surface of this product contacted by consumable water contains less than one quarter of one percent (0.25%) of lead by weight.

### Repair Kits

When ordering specify Ordering Code, Kit No., and Valve Size.

#### Series 7, LF7

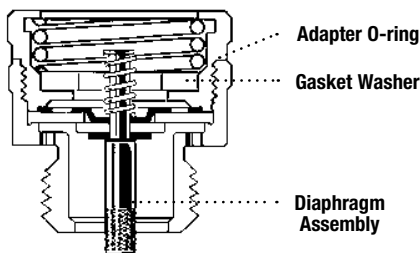


Ordering Code	Kit No.	Size	List price (each)
0886015	RK 7/CU7 T	1/2" - 1/4"	\$24.10
0886009	RK 7/7C T	3/8"	24.10
0886016	RK 7B T	3/4"	34.90
0886018	RK A7 T	5/8" - 3/4"	34.90
0886017	RK 07S T	1"	52.19
*0886005	RK L7T	3/4" - 1"	29.42

Kit consists of: first and second check modules, two module O-rings, union seal and check seal.

\*Kit consists of: two disc assemblies, two springs, two cover seal O-rings and two union O-rings.

#### Series 8A, NF8

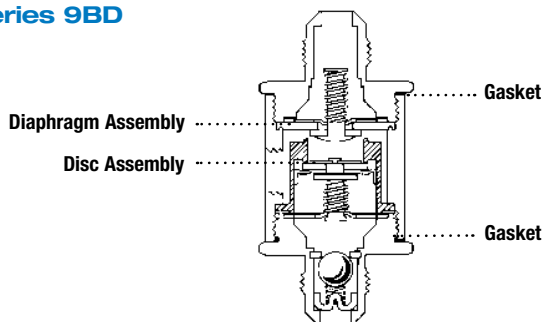


Ordering Code	Kit No.	Size	List price (each)
0886013	RK 8A T	3/4"	\$10.85
0886014	RK NF8 T	3/4"	10.85

8A Kit consists of: diaphragm assembly, gasket washer and one O-ring

NF8 Kit consists of: diaphragm assembly, gasket washer and three O-rings (adapter O-ring and two sleeve O-rings)

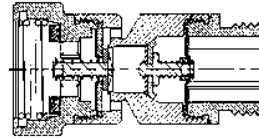
#### Series 9BD



Ordering Code	Kit No.	Size	List price (each)
0886012	RK 9BD T	1/4", 3/8"	\$38.78

Kit consists of: diaphragm assembly, disc assembly and two gaskets

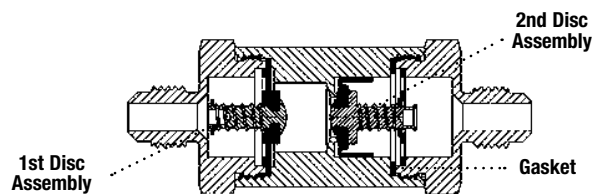
#### Series N9, LFN9, NLF9, N9-CD, 912HP



Ordering Code	Kit No.	Size	List price (each)
0886019	RK N9/NLF9 T	1/4", 3/8"	\$19.21
0886004	RK N9-CDT	3/4"	24.79
0886008	RK 912HP T	3/4" - 1"	50.97

Kit No. N9, NLF9 consists of: diaphragm assembly, disc assembly and gasket

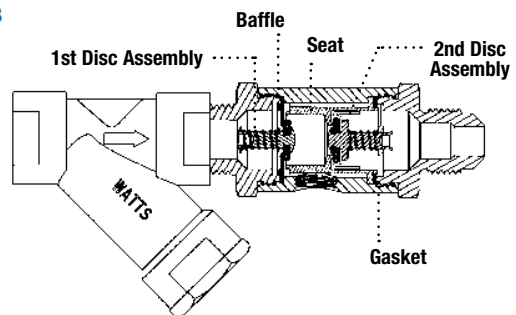
#### SD2



Ordering Code	Kit No.	Size	List price (each)
0888555	RK SD2-T	1/4", 3/8"	\$36.97

Kit includes: 1st & 2nd Disc assemblies, and Gasket

#### SD3



Ordering Code	Kit No.	Size	List price (each)
0888556	RK SD3-T	1/4", 3/8"	\$38.78

Kit consists of: 1st & 2nd disc assemblies, baffle, seat and gasket

\*The wetted surface of this product contacted by consumable water contains less than one quarter of one percent (0.25%) of lead by weight.

### Governor 80 and Governor 80M1

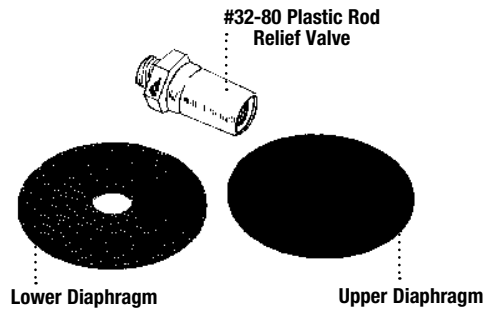
#### Ball Cock and Relief Valve

#### Repair Kits

When ordering specify Ordering Code, Kit No., and Valve Size.

Ordering Code	Kit No.	Size	List price (each)
0721475	Gov. 80-RK/Gov. 80M1-RK	ALL	\$29.85

Kit consists of: one upper diaphragm, one lower diaphragm and one #32-80 relief valve.



### Series 188A, 288A, LF288A, 289, LF289 388ASC, N388, LFN388

#### Repair Kits

When ordering specify Ordering Code, Kit No., and Valve Size.

Ordering Code	Kit No.	Size	List price (each)
---------------	---------	------	-------------------

#### 188A/288A/388ASC

0887170	RK 188A/288A/388 T	1/4" - 3/8"	\$13.30
0887171	RK 188A/288A/388 T	1/2"	21.39
0887172	RK 188A/288A/388 T	3/4" - 1"	21.39
0887173	RK 188A/288A/388 T	1 1/4"	30.96
0887174	RK 188A/288A/388 T	1 1/2"	77.46
0887175	RK 188A/288A/388 T	2"	116.67
0887176	RK 188A/288A/388 T	2 1/2" - 3"	199.71

#### for 288A's with bell shaped hood

0887164	RK 288AZ1 T	1/4" - 3/8"	28.36
0887165	RK 288AZ1 T	1/2"	36.39
0887166	RK 288AZ1 T	3/4"	38.04

Kit consists of: disc assembly (includes disc and disc float) and bonnet O-ring.

#### 289

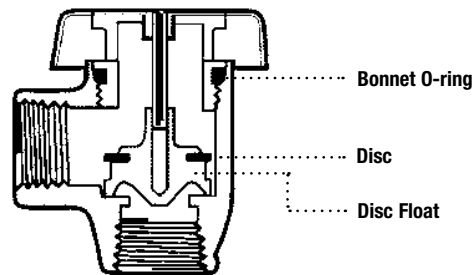
0887177	RK 289 T	3/8" - 1/2"	48.62
0887179	RK 289 T	3/4" - 1"	99.43

Kit consists of: check assembly, vent spring, retainer and bonnet O-ring.

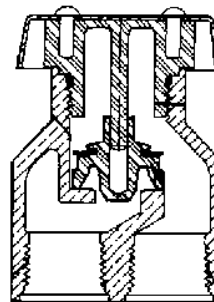
0887178	RK 289 B	3/8" - 1/2"	15.59
0887196	RK 289 B	3/4" - 1"	32.20

Kit consists of: bonnet, bonnet O-ring and vent spring.

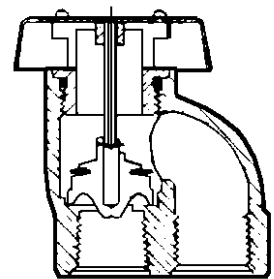
#### 188A/288A/LF288A



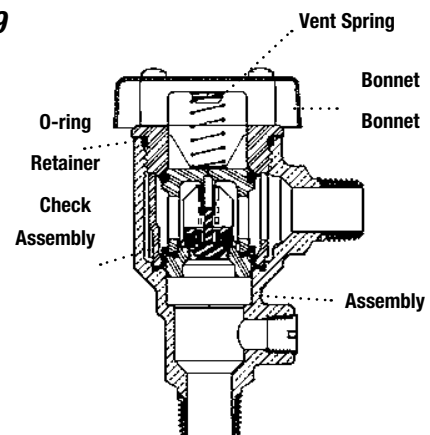
#### N388/LFN388



#### 388ASC



#### 289/LF289



\*The wetted surface of this product contacted by consumable water contains less than one quarter of one percent (0.25%) of lead by weight.

**Accessories/Auxiliary Equipment**

When ordering specify Ordering Code, Kit No., and Valve Size.

Ordering Code	Kit No.	Size	List price (each)
<b>Flanged Accessory Kits</b>			
0885020	AK FLGE 709-909*	2½"	\$38.41
0885021	AK FLGE 709-909*	3"	40.86
0885022	AK FLGE 709-909*	4"	82.19
0885023	AK FLGE 709-909*	6"	124.22
0885024	AK FLGE 709-909*	8"	231.58
0885025	AK FLGE 709-909*	10"	433.47
0885026	AK FLGE 007-009*	2½" – 3"	44.16

Kits consist of: 2 gaskets; 8 nuts and bolts.

\*Also used for 770 - 990

Ordering Code	Kit No.	Size	List price (each)
<b>Strainer Kits</b>			
0792500	LFAK Strainer	½"	95.41
0792501	LFAK Strainer	¾"	101.15
0792502	LFAK Strainer	1"	120.47
0792503	LFAK Strainer	1¼"	152.25
0792504	LFAK Strainer	1½"	208.74
0792505	LFAK Strainer	2"	318.15

Kits consist of: strainer assembly; 1 nipple and test cock.

Ordering Code	Kit No.	Size	List price (each)
<b>Test Cocks</b>			
0792518	LF¼ TC	1¼" – 2"	30.24
0792519	LF½ SAE-TC	¼" – 1"	29.54
0792520	LF½ TC	757/957 2½" – 4"	57.19
0792521	LF¾ TC	757/957 6" – 10"	59.22
0792522	LFRK TC#3	757/957 2½" – 4"	67.34
0792523	LFRK TC#3	757/957 6" – 10"	67.34
0792524	LFFBV-M ½	2½" – 4"	47.32
0792525	LFB6002 ¾	6" – 10"	57.68

Ordering Code	Kit No.	Size	List price (each)
<b>Air gaps</b>			
0881378	909-AGF	1¼" – 2" 009M1, 2" 009M2	115.22
		1¼" – 3" 009/909	
		4" – 6" 990	
0881385	909-AGK	4" – 6" 909, 8" – 10" 909M1	233.15
		8" 990	
0881387	909-AGM	8" – 10" 909	233.15
0881577	919 AGF	1¼" – 2"	115.22
0111764	957-AG	2½" – 10" 957	149.16
0111815	957-AG Splash Guard Only	4" – 10"	44.19
0881397	994-AGKP	2½" – 10" 994	147.12
0439190	995-AG	3" – 6" 995	137.44

Ordering Code	Kit No.	Size	List price (each)
<b>Elbows</b>			
0881380	909-ELC	¾" – 1" 009/909, 1¼" – 1½" 009M2	\$34.94
0881382	909-ELF (vertical)	1¼" – 2" 009M1, 2" 009M2, 4" – 6" 990	67.47
0881384	909-ELH (vertical)	2½" – 3" 009/909	205.49
0881396	994-ELF (vertical)	2½" – 10" 994	401.93

Ordering Code	Kit No.	Size	List price (each)
<b>Plastic Retainer</b>			
0887365	RK 009 RET-P	¾" – 1"	16.07

For use on ¾" and 1" 009 and 007 series.

Ordering Code	Kit No.	Size	List price (each)
<b>Hose Assembly Kit (sensing line)</b>			
0881486	AK 909 Hose Assembly	2½" – 4"	133.11
0881487	AK 909 Hose Assembly	6" – 8"	147.90
0881488	AK 909 Hose Assembly	10"	158.86
0882723	AK 994 Hose Assembly	2½" – 6"	140.55
0882724	AK 994 Hose Assembly	8" – 10"	153.32
0882725	AK 995 Hose Assembly	3" – 6"	147.90
0298120	½ x ½ CFC-S-CF x 20	2½" – 4" 957, 957RPDA	8.68
0298121	½ x ½ CFC-S-CF x 24	2½" – 3" 957/957RPDA N & Z	9.57
0298122	½ x ½ CFC-S-CF x 30	6" 957, 4" 957N; 2½", 3", 4" 957Z; 6", 8" 957RPDA; 4", 6", 8" 957RPDA N & Z; 2½", 3", 4" 957RPDA BFG; 2½", 3", 4", 6" 957RPDA BFG N & Z	10.20
0298123	½ x ½ CFC-S-CF x 36	8" & 10" 957; 6", 8", 10" 957 N & Z; 10" 957RPDA N & Z; 6" & 8" 957RPDA BFG N & Z	11.98

Ordering Code	Kit No.	Size	List price (each)
<b>Lube</b>			
0886020	RK009 Lube	Six Pack	35.11

**Important:** The use of other lubricant types may cause swelling or accelerated deterioration of the rubber parts.

**Note:** RK009 Lube should be used when repairing Series 909.



**LEAD FREE\***

**Backflow Repair Kits**

**Series 009 and 007 Retainers**

Retainers are not subject to Repair Kit Discount

Ordering Code	Kit No.	Size	List price (each)
<b>Retainers (009)</b>			
1047053	99AB47	1/4" - 1/2"	\$1.46
1047394	99BA47	3/4", M2/M3	2.18
1047114	99CA47-P	1" M2	3.02
1047001	99FA47	1 1/4" - 2"	22.29
1047001	99FA47	1 1/4" - 2", M1-2" M2	22.29
1047401	99EA47	1 1/4" - 1 1/2" M2	6.76

Ordering Code	Kit No.	Size	List price (each)
<b>Retainers (007)</b>			
1047053	99AB47 007	1/2"	1.46
1047382	DC7CA47 M1 007	3/4" - 1"	2.01
1047394	99BA47 M2/M3 007	3/4"	2.18
1047001	99FA47 007	1 1/2" - 2"	22.29
1047112	DC7FA47 M1 007	1 1/2" - 2"	9.61
1047099	DC7EA47-P M2 007	1 1/4" - 2"	4.52

**Replacement**

**Shutoff Valves**

When ordering specify Ordering Code, Kit No., and Valve Size.

Ordering Code	Kit No.	Size	List price (each)
<b>Shutoff Valves</b>			
0792506	LFFBV-TH	1/2"	\$39.34
0792507	LFFBV-TH	3/4"	63.42
0792508	LFFBV-TH	1"	99.61
0792512	LFFBV-TC-TH	1/2"	44.38
0792513	LFFBV-TC-TH	3/4"	63.42
0792514	LFFBV-TC-TH	1"	99.05
0792509	LFFBV	1 1/4"	151.69
0792510	LFFBV	1 1/2"	194.11
0792511	LFFBV	2"	339.57
0792515	LFFBV-TC	1 1/4"	146.65
0792516	LFFBV-TC	1 1/2"	188.02
0792517	LFFBV-TC	2"	328.37

\*The wetted surface of this product contacted by consumable water contains less than one quarter of one percent (0.25%) of lead by weight.



**LEAD FREE\***

**Terms & Conditions**

**For our most current Terms and Conditions, please refer to the corresponding price lists as detailed below:**

<b>Product Category</b>	<b>Refer to Watts Price List</b>
Backflow Prevention Products Repair Kits and Service Parts.....	PL-RP-BPD
Brass Fittings & Accessories.....	PL-Brass Fittings
Brass & Tubular Products.....	PL-WB&T
Quick-Connect Plumbing Products .....	PL-Quick-Connect
Tubing.....	PL-Tubing
WaterPEX® Plumbing Products .....	PL-WaterPEX®
Water Safety & Flow Control Products .....	PL-WR

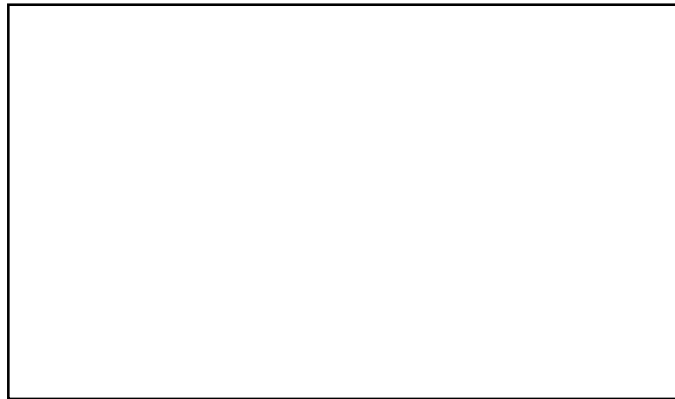
WaterSense® is a registered trademark of the EPA.

\*The wetted surface of this product contacted by consumable water contains less than one quarter of one percent (0.25%) of lead by weight.



**For Technical Assistance, Ordering Assistance and Authorized Watts Agent Listings, please call us at 978-688-1811.**

**Represented by:**



*A Watts Water Technologies Company*



**USA:** 815 Chestnut St., No. Andover, MA 01845-6098; [www.watts.com](http://www.watts.com)

**Canada:** 5435 North Service Rd., Burlington, ONT. L7L 5H7; [www.wattscanada.ca](http://www.wattscanada.ca)