

THIS SPACE FOR DESIGNER/ENGINEER APPROVAL

Job/Customer _____ Date _____ Contractor _____
 Model Specified _____ Qty _____ Approved By _____
 Designer/Engineer _____ Date _____ Contractor's PO# _____
 Submitted by _____ Date _____ Other _____

5044 Series

Tankless Water Heater Service Valve Kit
Hot & Cold Set of Full Port Forged Brass Ball Valves
w/ Hi-Flow Hose Drains, Pressure Relief Valve Outlet
& Adjustable Packing Gland

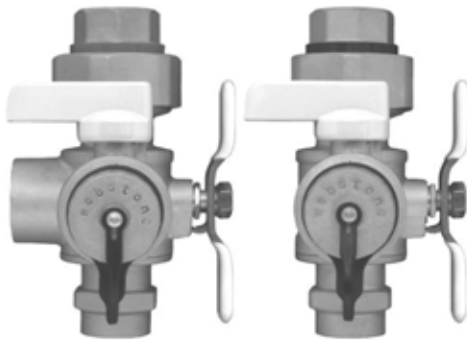
IPS Union x SWT
600 WOG
ISO 9001



**LEAD FREE
 CLEAN
 BRASS**
 THE CLEAR CHOICE
 FOR THE PROFESSIONAL

Standard brass products conform to
 NSF/ANSI 61-8
 Lead free products are certified to
 NSF/ANSI 61 & NSF/ANSI 372

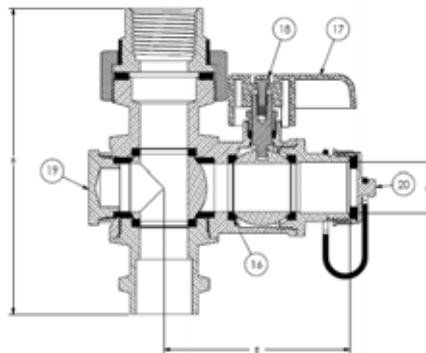
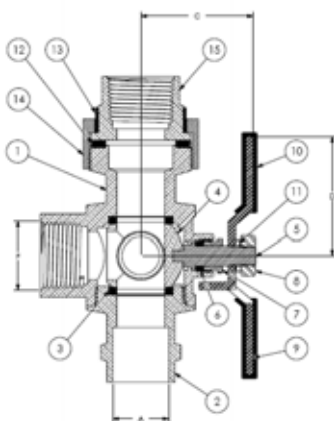
STANDARD BRASS ITEM #	LEAD FREE ITEM #	SIZE	CTN	CASE	A	B	C	D	E	F	G
50443	50443W	3/4"	1	8	3/4	4 15/16	1 1/2	1 13/16	2 7/8	3/4	3/4
RESIDENTIAL PRESSURE RELIEF VALVE (150 PSI/200,000 BTU)											
50443PR	50443WPR	3/4"	1	8	3/4	4 15/16	1 1/2	1 13/16	2 7/8	3/4	3/4
COMMERCIAL PRESSURE RELIEF VALVE (150 PSI/2,703,000 BTU) & 3/4" CLOSE NIPPLE											
50443PR2	50443WPR2	3/4"	1	6	3/4	4 15/16	1 1/2	1 13/16	2 7/8	3/4	3/4



TEMP °F	PSI
100	600
150	485
180	431

PATENTED TECHNOLOGY

NO.	DESCRIPTION	MATERIAL
1	BODY	BRASS
2	END CAP	BRASS
3	SEAT	PTFE
4	BALL	BRASS HCP
5	STEM	BRASS
6	STEM SEAL	PTFE
7	PACKING GLAND	BRASS
8	HANDLE NUT	STAINLESS STEEL
9	WING STYLE "T" HANDLE	STAINLESS STEEL
10	HANDLE JACKET	VINYL
11	LOCK WASHER	STAINLESS STEEL
12	UNION WASHER	EPDM
13	COLOR INSULATOR RING	ABS
14	UNION NUT	BRASS
15	UNION FITTING	BRASS
16	RETAINING SEATS	PTFE
17	DRAIN VALVE HANDLE	ENAMEL COATED ALUMINUM
18	DRAIN VALVE HANDLE SCREW	BRASS
19	RETAINING NUT	BRASS
20	CAP & STRAP	BRASS W/ EPDM HOSE WASHER & STRAP



Included w/ 5044PR	Included w/ 5044PR2
<p>Residential Pressure Relief Valve (150 PSI / 200,000 btu)</p>	<p>Commercial Pressure Relief Valve (150 PSI / 2,703,000 btu) & 3/4" Close Nipple</p>

Specifications: Designed for residential or commercial use with potable water. This approved Webstone valve features an adjustable packing gland. Solder joint temperature ratings are per ASME B16.18 Annex A for 95-5 solder. Other solder materials have lower pressure/temperature limits. Do not silver braze or over heat valves when soldering.



Quality and Commitment Since 1954

www.webstonevalves.com · P: (800) 225-9529 · F: (800) 336-5133

Webstone product specifications in U.S. customary units are approximate and are provided for reference only. Webstone reserves the right to change or modify product design, construction, specifications or materials without prior notice and without incurring any obligation to make such changes and modifications on Webstone products previously or subsequently sold.

5044-5044Wspec_112812