

THIS SPACE FOR DESIGNER/ENGINEER APPROVAL

Job/Customer _____ Date _____ Contractor _____
 Model Specified _____ Qty _____ Approved By _____
 Designer/Engineer _____ Date _____ Contractor's PO# _____
 Submitted by _____ Date _____ Other _____

4444 Series

Tankless Water Heater Service Valve Kits
Hot & Cold Set of Full Port Forged Brass Ball Valves
w/ Hi-Flow Hose Drains, Pressure Relief Valve Outlet
& Adjustable Packing Gland
IPS Union x IPS
500 WOG
ISO 9001



Standard brass products conform to NSF/ANSI 61-8
 Lead free products are certified to NSF/ANSI 61 & NSF/ANSI 372

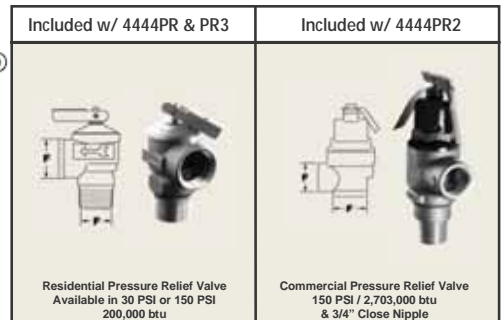
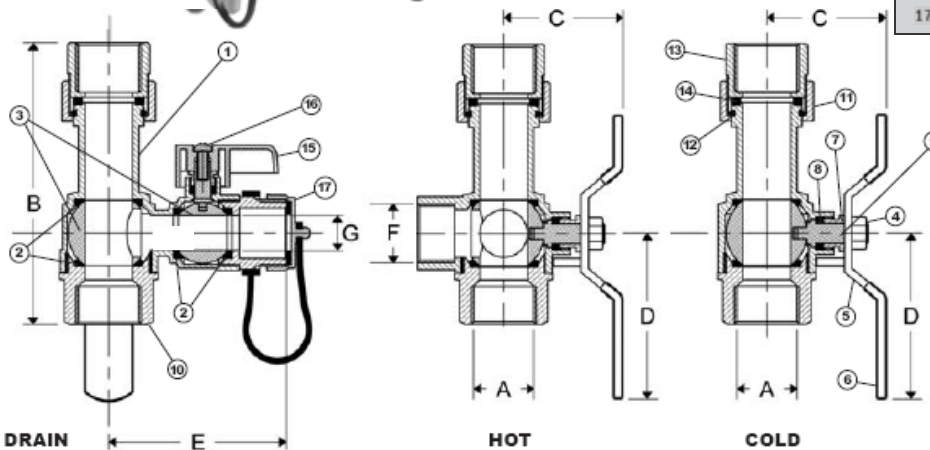
STANDARD BRASS ITEM #	LEAD FREE ITEM#	SIZE	CTN	CASE	A	B	C	D	E	F	G
RESIDENTIAL PRESSURE RELIEF VALVE (150 PSI/200,000 BTU)											
44443PR	44443WPR	3/4	1	10	3/4	4 1/4	1 5/8	2 5/8	2 3/4	3/4	1/2
44444PR	44444WPR	1	1	10	1	5	2 3/8	2 3/8	2 3/4	3/4	3/4
RESIDENTIAL PRESSURE RELIEF VALVE (30 PSI/200,000 BTU)											
44443PR3	44443WPR3	3/4	1	10	3/4	4 1/4	1 5/8	2 5/8	2 3/4	3/4	1/2
44444PR3	44444WPR3	1	1	10	1	5	2 3/8	2 3/8	2 3/4	3/4	3/4
COMMERCIAL PRESSURE RELIEF VALVE (150 PSI/2,703,000 BTU) & 3/4" CLOSE NIPPLE											
44443PR2	44443WPR2	3/4	1	6	3/4	4 1/4	1 5/8	2 5/8	2 3/4	3/4	1/2
44444PR2	44444WPR2	1	1	6	1	5	2 3/8	2 3/8	2 3/4	3/4	3/4



TEMP °F	PSI
100	500
150	408
180	398

NO.	DESCRIPTION	MATERIAL
1	BODY	BRASS
2	SEATS	PTFE
3	BALL	BRASS HCP
4	HANDLE NUT	STAINLESS STEEL
5	WING STYLE "T" HANDLE	STEEL CP
6	HANDLE JACKET	VINYL
7	PACKING GLAND	BRASS
8	STEM SEAL	PTFE
9	STEM	BRASS
10	END CAP	BRASS
11	UNION NUT	BRASS
12	RETAINING RING	STAINLESS STEEL
13	UNION FITTING	BRASS
14	WASHER	EPDM
15	DRAIN VALVE HANDLE	ENAMEL COATED ALUMINUM
16	DRAIN VALVE HANDLE SCREW	BRASS
17	CAP & STRAP	BRASS W/ EPDM HOSE WASHER & STRAP

PATENTED TECHNOLOGY



Specifications: Designed for residential or commercial use with potable water. This approved Webstone valve is actuated by a blowout proof stem and features an adjustable packing gland. Threaded ends comply with ANSI B1.20.1.

Quality and Commitment Since 1954

www.webstonevalves.com • P: (800) 225-9529 • F: (800) 336-5133

Webstone product specifications in U.S. customary units are approximate and are provided for reference only. Webstone reserves the right to change or modify product design, construction, specifications or materials without prior notice and without incurring any obligation to make such changes and modifications on Webstone products previously or subsequently sold.

4444-4444Wspec_112812