

THIS SPACE FOR DESIGNER/ENGINEER APPROVAL

Job/Customer _____ Date _____ Contractor _____
 Model Specified _____ Qty _____ Approved By _____
 Designer/Engineer _____ Date _____ Contractor's PO# _____
 Submitted by _____ Date _____ Other _____

4044 Series

Tankless Water Heater Service Valve Kit
Hot & Cold Set of Full Port Forged Brass Ball Valves
w/ Hi-Flow Hose Drains, Pressure Relief Valve Outlet
& Adjustable Packing Gland

IPS Union x IPS
600 WOG
ISO 9001

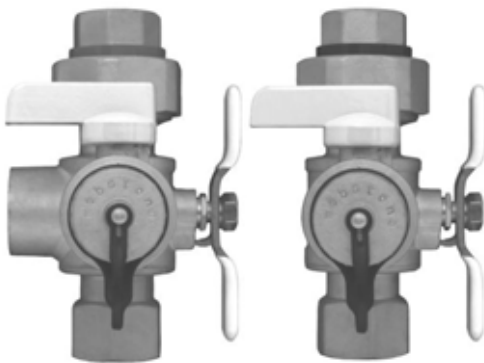


Standard brass products conform to NSF/ANSI 61-8
 Lead free products are certified to NSF/ANSI 61 & NSF/ANSI 372



LEAD FREE
CLEAN BRASS
 THE CLEAR CHOICE FOR THE PROFESSIONAL

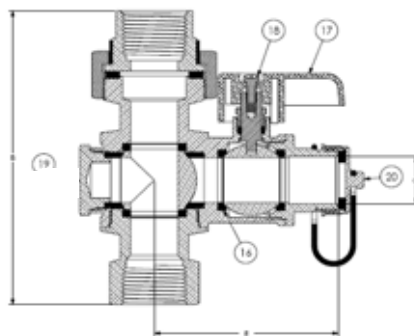
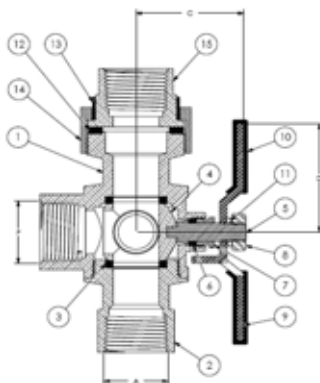
STANDARD BRASS ITEM #	LEAD FREE ITEM #	SIZE	CTN	CASE	A	B	C	D	E	F	G
40443	40443W	3/4"	1	8	3/4	4 15/16	1 1/2	1 13/16	2 7/8	3/4	3/4
RESIDENTIAL PRESSURE RELIEF VALVE (150 PSI/200,000 BTU)											
40443PR	40443WPR	3/4"	1	8	3/4	4 15/16	1 1/2	1 13/16	2 7/8	3/4	3/4
COMMERCIAL PRESSURE RELIEF VALVE (150 PSI/2,703,000 BTU) & 3/4" CLOSE NIPPLE											
40443PR2	40443WPR2	3/4"	1	6	3/4	4 15/16	1 1/2	1 13/16	2 7/8	3/4	3/4



TEMP °F	PSI
100	600
150	490
180	478

PATENTED TECHNOLOGY

NO.	DESCRIPTION	MATERIAL
1	BODY	BRASS
2	END CAP	BRASS
3	SEAT	PTFE
4	BALL	BRASS HCP
5	STEM	BRASS
6	STEM SEAL	PTFE
7	PACKING GLAND	BRASS
8	HANDLE NUT	STAINLESS STEEL
9	WING STYLE "T" HANDLE	STAINLESS STEEL
10	HANDLE JACKET	VINYL
11	LOCK WASHER	STAINLESS STEEL
12	UNION WASHER	EPDM
13	COLORLED INSULATOR RING	ABS
14	UNION NUT	BRASS
15	UNION FITTING	BRASS
16	RETAINING SEATS	PTFE
17	DRAIN VALVE HANDLE	ENAMEL COATED ALUMINIUM
18	DRAIN VALVE HANDLE SCREW	BRASS
19	RETAINING NUT	BRASS
20	CAP & STRAP	BRASS W/ EPDM HOSE WASHER & STRAP



Included w/ 4044PR	Included w/ 4044PR2
<p>Residential Pressure Relief Valve (150 PSI / 200,000 btu)</p>	<p>Commercial Pressure Relief Valve (150 PSI / 2,703,000 btu) & 3/4" Close Nipple</p>

Specifications: Designed for residential or commercial use with potable water. This approved Webstone valve features an adjustable packing gland. Threaded ends comply with ANSI B1.20.1.



Quality and Commitment Since 1954

www.webstonevalves.com · P: (800) 225-9529 · F: (800) 336-5133

Webstone product specifications in U.S. customary units are approximate and are provided for reference only. Webstone reserves the right to change or modify product design, construction, specifications or materials without prior notice and without incurring any obligation to make such changes and modifications on Webstone products previously or subsequently sold.

4044-4044Wspec_112812