

ProPEX® Lead-free (LF) Brass Fitting Adapter

Submittal Information
Revision A: Jan. 30, 2009

Project Information

Job Name:

Location:

Part No. Ordered:

Engineer:

Date Submitted:

Contractor:

Submitted By:

Manufacturer's Representative:

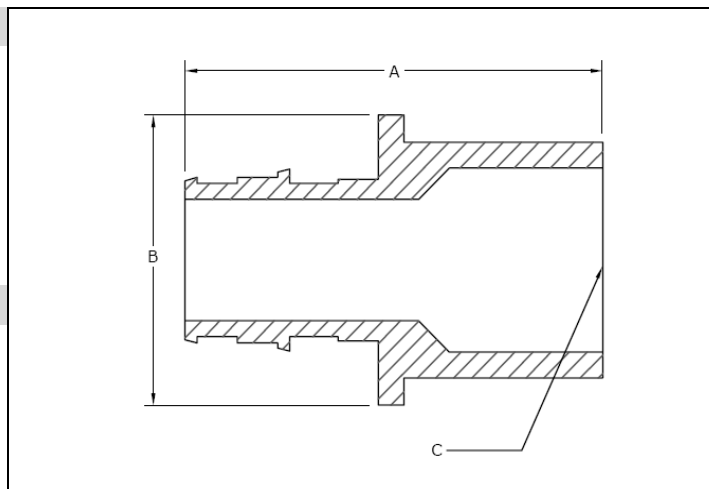
Approved By:

Technical Data

Material: C69300 Brass

Product Information and Application Use

ProPEX® Lead-free Brass Fitting Adapters transition PEX tubing to copper and are approved for use in hot and cold domestic potable water systems as well as radiant heating systems.¹ One end of the adapter is manufactured with the Uponor ProPEX fitting for connections to hePEX™ plus tubing or AquaPEX® tubing.



✓ Description	Part Number	A	B	C	Weight
ProPEX LF Brass Fitting Adapter, ½" PEX x ½" Copper	LF4505050	1.39"	0.740"	½" Copper	0.06 lbs.
ProPEX LF Brass Fitting Adapter, ½" PEX x ¾" Copper	LF4505075	1.64"	0.916"	¾" Copper	0.10 lbs.
ProPEX LF Brass Fitting Adapter, ¾" PEX x ¾" Copper	LF4507575	1.88"	1.070"	¾" Copper	0.12 lbs.
ProPEX LF Brass Fitting Adapter, 1" PEX x 1" Copper	LF4501010	2.28"	1.345"	1" Copper	0.19 lbs.
ProPEX LF Brass Fitting Adapter, 1¼" PEX x 1¼" Copper	LF4501313	2.60"	1.640"	1¼" Copper	0.40 lbs.

Installation

Use the appropriate ProPEX Ring for the tubing. Do not solder within 18 inches of the ProPEX Fitting. For more information, refer to the AquaPEX Professional Plumbing Installation Handbook or Uponor Radiant Installation Handbook.

Standards

CAN/CSA B137.5; ASTM F877; ASTM F1960

Codes

IPC; UPC; NSPC; NPC of Canada

Listings

HUD MR 1269; ICC ESR 1099; ANSI/NSF 14- and 61-certified; U.P. Code, Annex G

Related Applications

PEX-a Plumbing Systems
Radiant Heating and Cooling Systems

Contact Information

Uponor, Inc.
5925 148th Street West
Apple Valley, MN 55124 USA
Phone: (800) 321-4739
Fax: (952) 891-2008
www.uponor-usa.com

Uponor Ltd.
2000 Argentia Rd., Plaza 1, Ste. 200
Mississauga, ON L5N 1W1 CANADA
Phone: (888) 994-7726
Fax: (800) 638-9517
www.uponor.ca

¹ProPEX® is a registered trademark of Uponor, Inc. ProPEX™ is a trademark of Uponor Ltd.