

Vortens[®]

ALL PERFORMANCE.
NO PROBLEMS.



THE PROVEN LEADER

IN FLUSHING PERFORMANCE[™]

Vortens[®]

ALL PERFORMANCE.
NO PROBLEMS.



HIGH-EFFICIENCY
TOILETS

THE PROVEN LEADER
IN FLUSHING PERFORMANCE™

MURANO ADA HET

Model 3140-3425



HYDRO SURGE™
FLUSHING SYSTEM

FEATURES

2-1/8" Fully Glazed Trapway –
Passes a 2" Ball

High-Efficiency Toilet (HET) with
Powerful 1.28 gpf/4.8 lpf Flush

Powered by the 3" HydroSurge™
Flushing System

Flushes 600 grams of solids*

8" x 7" Water Surface

Extra-Large Footprint

Ideal Height™ A.D.A. Compliant –
17" High

5-Year Warranty on Vitreous China

3-Year Warranty on Component
and/or Accessory Parts

V-Gloss™ High-Gloss Vitreous China –
Durable, Nonporous

Bowl Shape Compatible with Bemis®
1500 Toilet Seat

SPECIFICATIONS

3140-V Elongated Bowl 59 Lbs.

3425-V 12" Rough-In Tank 30 Lbs.

See other side for additional options.



Meets ASME A112.19.2 / CSA B45.1
Seat Not Included

*per MaP test

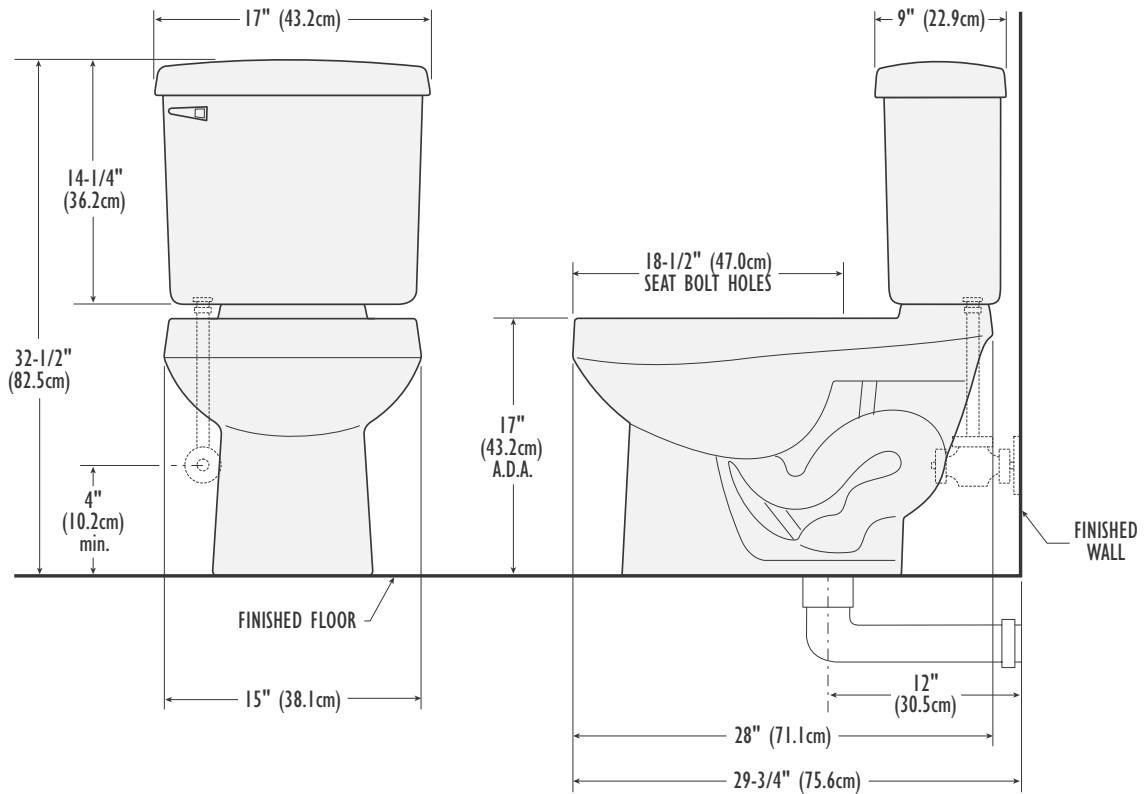
THE PROVEN LEADER
IN FLUSHING PERFORMANCE™

Vortens®

MURANO ADA HET

Model 3140-3425

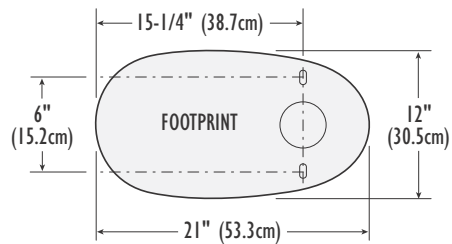
DIMENSIONS



IMPORTANT: Dimensions of fixtures are nominal and may vary within the range of tolerance established by the standards ASME A112.19.2 / CSA B45.1. These measurements are subject to change or cancellation. No responsibility is assumed for use of superseded or voided pages.

SPECIFICATIONS

3140-V	Elongated Bowl	59 Lbs.
3425-V	12" Rough-In Tank	30 Lbs.
3434-V	10" Rough-In Tank	29 Lbs.
3435-V	14" Rough-In Tank	34 Lbs.
3439-V	12" Right Hand Flush	30 Lbs.



COLORS

02: White

Other: Refer to price book for additional colors/finishes

Color number is indicated between part number and letter suffix (i.e. 3464-02-V)



U.S. CUSTOMER SERVICE
Toll Free: 866-821-2811
customerservice@vortens.com
ussales@vortens.com
www.vortens.com

CANADIAN CUSTOMER SERVICE
Toll Free: 866-363-1365
canadiansales@vortens.com
www.vortens.com



MURANO EL HET

Model 3147-3425



HYDRO SURGE™
FLUSHING SYSTEM

FEATURES

2-1/8" Fully Glazed Trapway –
Passes a 2" Ball

High-Efficiency Toilet (HET) with
Powerful 1.28 gpf/4.8 lpf Flush

Powered by the 3" HydroSurge™
Flushing System

Flushes 500 grams of solids*

8" x 7" Water Surface

5-Year Warranty on Vitreous China

3-Year Warranty on Component
and/or Accessory Parts

V-Gloss™ High-Gloss Vitreous China –
Durable, Nonporous

Bowl Shape Compatible with Bemis®
1500 Toilet Seat

SPECIFICATIONS

3147-V Elongated Bowl 48 Lbs.

3425-V 12" Rough-In Tank 30 Lbs.



Meets ASME A112.19.2 / CSA B45.1
Seat Not Included

*per MaP test

THE PROVEN LEADER
IN FLUSHING PERFORMANCE™

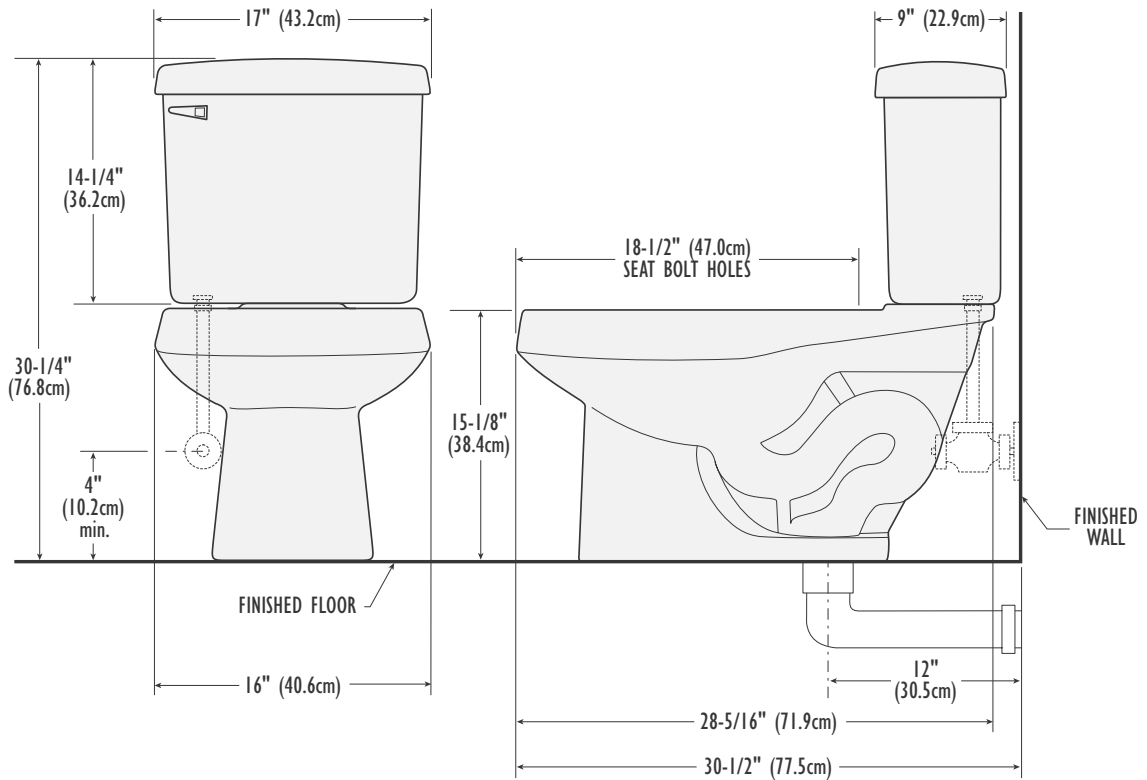
Vortens®

MURANO EL HET

Model 3147-3425

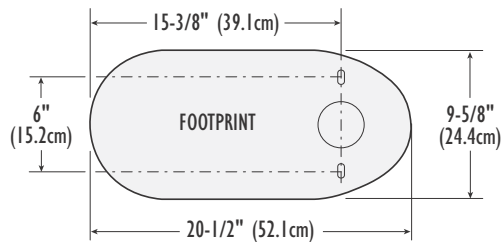
DIMENSIONS

IMPORTANT: Dimensions of fixtures are nominal and may vary within the range of tolerance established by the standards ASME A112.19.2 / CSA B45.1. These measurements are subject to change or cancellation. No responsibility is assumed for use of superseded or voided pages.



SPECIFICATIONS

3147-V	Elongated Bowl	48 Lbs.
3425-V	12" Rough-In Tank	30 Lbs.
3434-V	10" Rough-In Tank	29 Lbs.
3435-V	14" Rough-In Tank	34 Lbs.
3439-V	12" Right Hand Flush	30 Lbs.



COLORS

02: White

Other: Refer to price book for additional colors/finishes

Color number is indicated between part number and letter suffix (i.e. 3464-02-V)



U.S. CUSTOMER SERVICE
Toll Free: 866-821-2811
customerservice@vortens.com
ussales@vortens.com
www.vortens.com

CANADIAN CUSTOMER SERVICE
Toll Free: 866-363-1365
canadiansales@vortens.com
www.vortens.com



MURANO RF HET

Model 3219-3425



HYDRO SURGE™
FLUSHING SYSTEM

FEATURES

2-1/8" Fully Glazed Trapway –
Passes a 2" Ball

High-Efficiency Toilet (HET) with
Powerful 1.28 gpf/4.8 lpf Flush

Powered by the 3" HydroSurge™
Flushing System

Flushes 500 grams of solids*

8" x 7" Water Surface

5-Year Warranty on Vitreous China

3-Year Warranty on Component
and/or Accessory Parts

V-Gloss™ High-Gloss Vitreous China –
Durable, Nonporous

Bowl Shape Compatible with Bemis®
500 Toilet Seat

SPECIFICATIONS

3219-V Round Front Bowl 46 Lbs.

3425-V 12" Rough-In Tank 30 Lbs.



Meets ASME A112.19.2 / CSA B45.1
Seat Not Included

*per MaP test

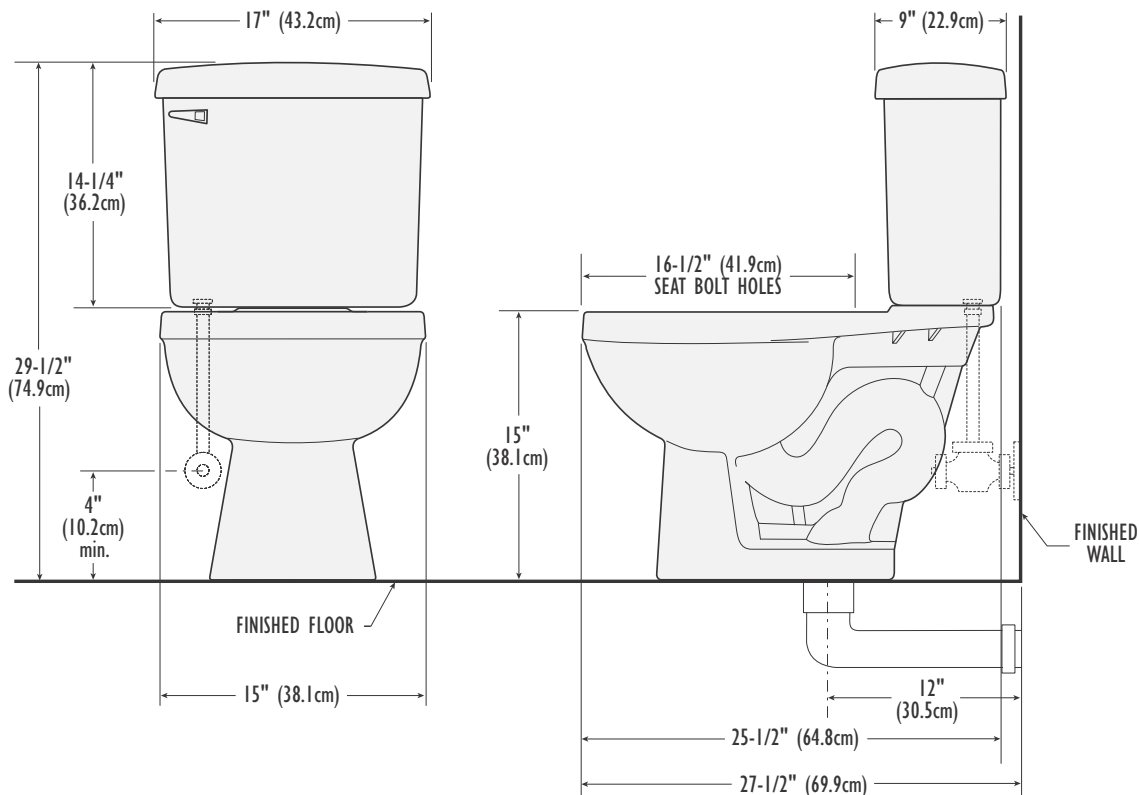
THE PROVEN LEADER
IN FLUSHING PERFORMANCE™

Vortens®

MURANO RF HET

Model 3219-3425

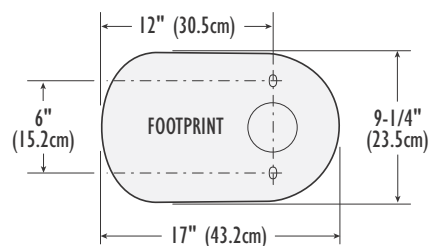
DIMENSIONS



IMPORTANT: Dimensions of fixtures are nominal and may vary within the range of tolerance established by the standards ASME A112.19.2 / CSA B45.1. These measurements are subject to change or cancellation. No responsibility is assumed for use of superseded or voided pages.

SPECIFICATIONS

3219-V	Round Front Bowl	46 Lbs.
3425-V	12" Rough-In Tank	30 Lbs.
3434-V	10" Rough-In Tank	29 Lbs.
3435-V	14" Rough-In Tank	34 Lbs.
3439-V	12" Right Hand Flush	30 Lbs.



COLORS

02: White

Other: Refer to price book for additional colors/finishes

Color number is indicated between part number and letter suffix (i.e. 3464-02-V)



U.S. CUSTOMER SERVICE
Toll Free: 866-821-2811
customerservice@vortens.com
ussales@vortens.com
www.vortens.com

CANADIAN CUSTOMER SERVICE
Toll Free: 866-363-1365
canadiansales@vortens.com
www.vortens.com



HURRICANE ADA HET

Model 3140-3473



HYDRO SURGE™
FLUSHING SYSTEM

FEATURES

2-1/8" Fully Glazed Trapway –
Passes a 2" Ball

High-Efficiency Toilet (HET) with
Powerful 1.28 gpf/4.8 lpf Flush

Powered by the 3" HydroSurge™
Flushing System

Flushes 1,000 grams of solids*

8" x 7" Water Surface

Extra-Large Footprint

Ideal Height™ A.D.A. Compliant –
17" High

5-Year Warranty on Vitreous China

3-Year Warranty on Component
and/or Accessory Parts

V-Gloss™ High-Gloss Vitreous China –
Durable, Nonporous

Bowl Shape Compatible with Bemis®
170, 1200, 1500 & 1800 Toilet Seats

SPECIFICATIONS

3140-V Elongated Bowl 59 Lbs.

3473-V 12" Rough-In Tank 33 Lbs.



Meets ASME A112.19.2 / CSA B45.1
Seat Not Included

*per MaP test

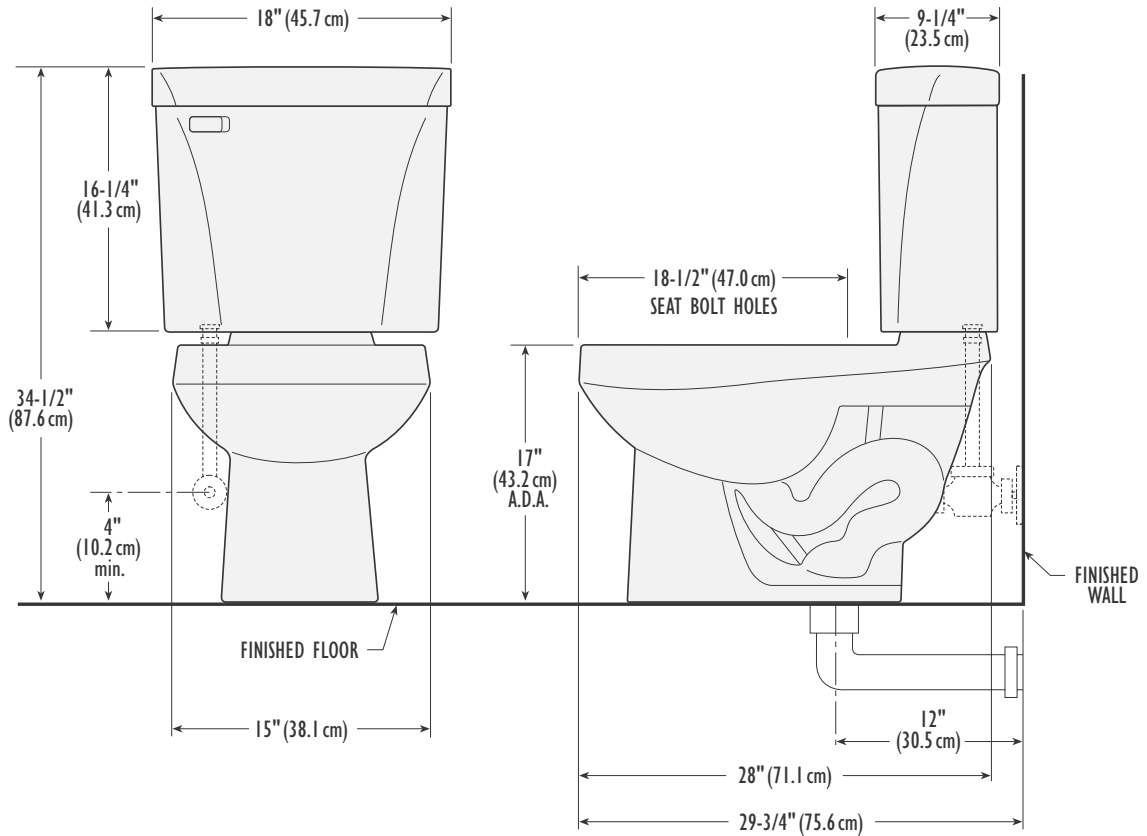
THE PROVEN LEADER
IN FLUSHING PERFORMANCE™

Vortens®

HURRICANE ADA HET

Model 3140-3473

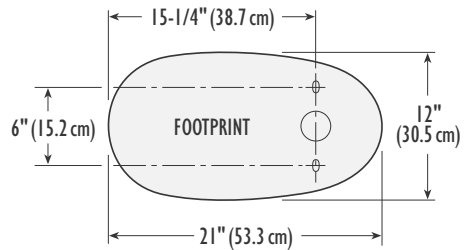
DIMENSIONS



IMPORTANT: Dimensions of fixtures are nominal and may vary within the range of tolerance established by the standards ASME A112.19.2 / CSA B45.1. These measurements are subject to change or cancellation. No responsibility is assumed for use of superseded or voided pages.

SPECIFICATIONS

3140-V	Elongated Bowl	59 Lbs.
3473-V	12" Rough-In Tank	33 Lbs.



COLORS

02: White

Other: Refer to price book for additional colors/finishes

Color number is indicated between part number and letter suffix (i.e. 3464-02-V)



U.S. CUSTOMER SERVICE
Toll Free: 866-821-2811
customerservice@vortens.com
ussales@vortens.com
www.vortens.com

CANADIAN CUSTOMER SERVICE
Toll Free: 866-363-1365
canadiansales@vortens.com
www.vortens.com



HURRICANE EL HET

Model 3137-3473



FEATURES

2-1/8" Fully Glazed Trapway –
Passes a 2" Ball

High-Efficiency Toilet (HET) with
Powerful 1.28 gpf/4.8 lpf Flush

Powered by the 3" HydroSurge™
Flushing System

Flushes 800 grams of solids*

8" x 7" Water Surface

Extra-Large Footprint

5-Year Warranty on Vitreous China

3-Year Warranty on Component
and/or Accessory Parts

V-Gloss™ High-Gloss Vitreous China –
Durable, Nonporous

Bowl Shape Compatible with Bemis®
170, 200, 500 & 1800 Toilet Seats

SPECIFICATIONS

3137-V Elongated Bowl 57 Lbs.

3473-V 12" Rough-In Tank 33 Lbs.

HYDRO SURGE™
FLUSHING SYSTEM



Meets ASME A112.19.2 / CSA B45.1
Seat Not Included

*per MaP test

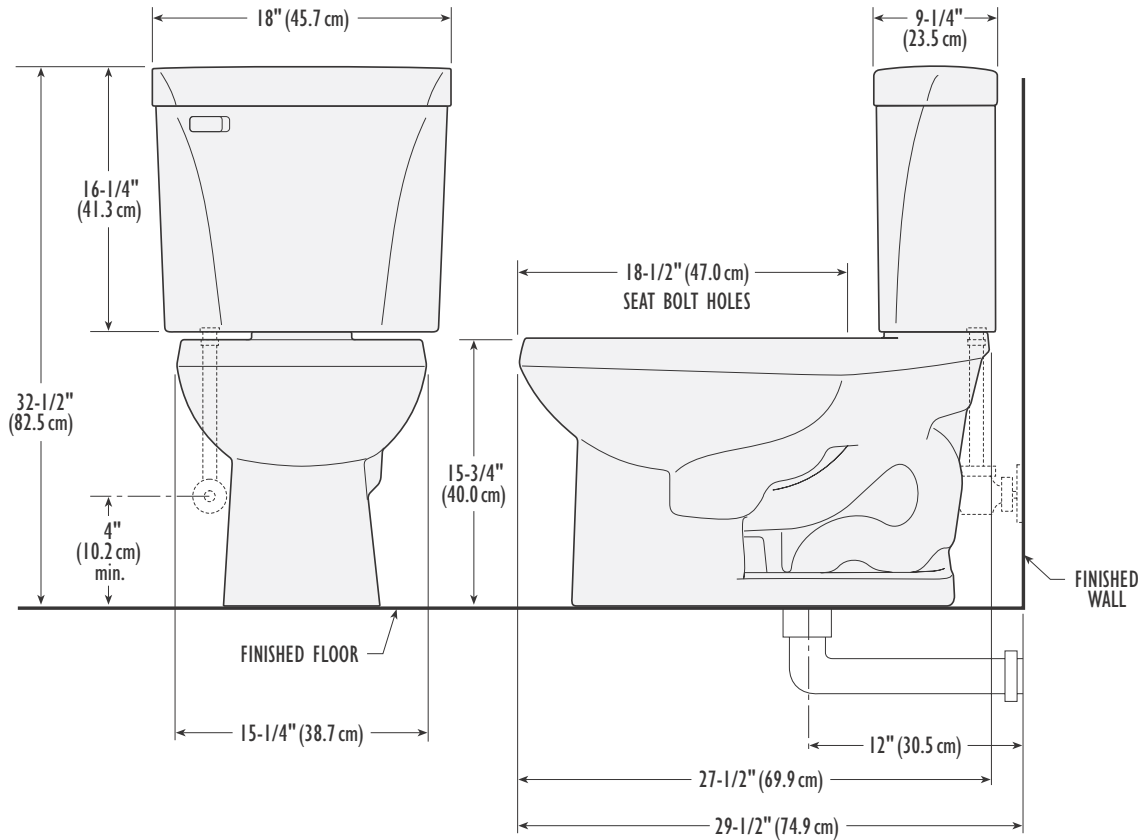
THE PROVEN LEADER
IN FLUSHING PERFORMANCE™

Vortens®

HURRICANE EL HET

Model 3137-3473

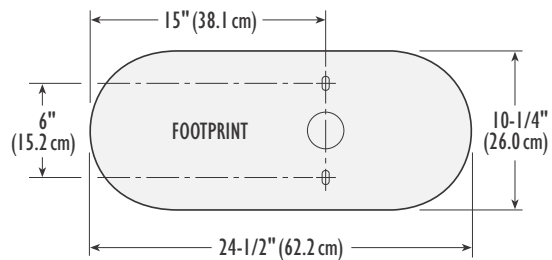
DIMENSIONS



IMPORTANT: Dimensions of fixtures are nominal and may vary within the range of tolerance established by the standards ASME A112.19.2 / CSA B45.1. These measurements are subject to change or cancellation. No responsibility is assumed for use of superseded or voided pages.

SPECIFICATIONS

3137-V	Elongated Bowl	57 Lbs.
3473-V	12" Rough-In Tank	33 Lbs.



COLORS

02: White

Other: Refer to price book for additional colors/finishes

Color number is indicated between part number and letter suffix (i.e. 3464-02-V)



U.S. CUSTOMER SERVICE
Toll Free: 866-821-2811
customerservice@vortens.com
ussales@vortens.com
www.vortens.com

CANADIAN CUSTOMER SERVICE
Toll Free: 866-363-1365
canadiansales@vortens.com
www.vortens.com



HURRICANE RF HET

Model 3213-3473



FEATURES

2-1/8" Fully Glazed Trapway –
Passes a 2" Ball

High-Efficiency Toilet (HET) with
Powerful 1.28 gpf/4.8 lpf Flush

Powered by the 3" HydroSurge™
Flushing System

Flushes 600 grams of solids*

8" x 7" Water Surface

Extra-Large Footprint

5-Year Warranty on Vitreous China

3-Year Warranty on Component
and/or Accessory Parts

V-Gloss™ High-Gloss Vitreous China –
Durable, Nonporous

Bowl Shape Compatible with Bemis®
70, 500 & 600 Toilet Seats

SPECIFICATIONS

3213-V Round Front Bowl 55 Lbs.

3473-V 12" Rough-In Tank 33 Lbs.

HYDRO SURGE™
FLUSHING SYSTEM



Meets ASME A112.19.2 / CSA B45.1
Seat Not Included

*per MaP test

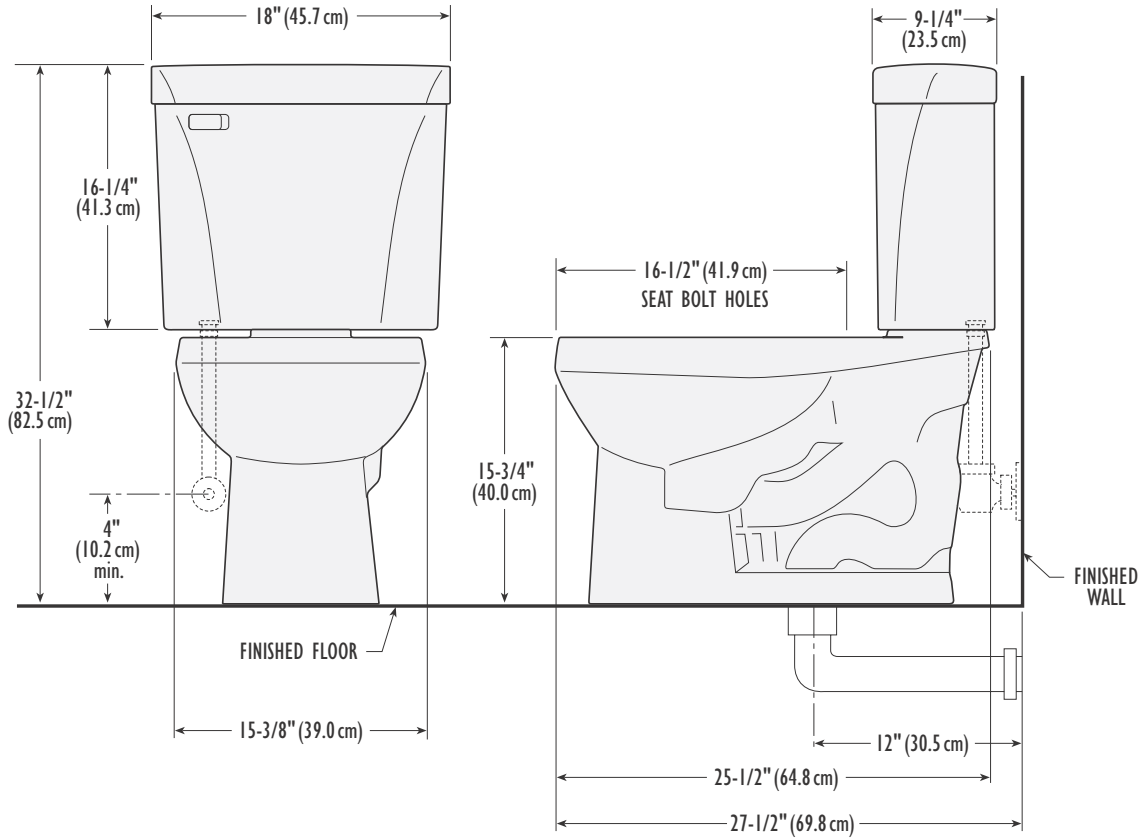
THE PROVEN LEADER
IN FLUSHING PERFORMANCE™

Vortens®
ONLY THE BEST INSIDE™

HURRICANE RF HET

Model 3213-3473

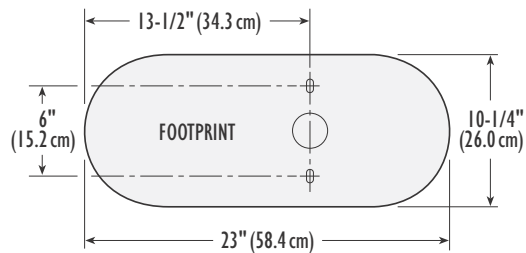
DIMENSIONS



IMPORTANT: Dimensions of fixtures are nominal and may vary within the range of tolerance established by the standards ASME A112.19.2 / CSA B45.1. These measurements are subject to change or cancellation. No responsibility is assumed for use of superseded or voided pages.

SPECIFICATIONS

3213-V	Round Front Bowl	55 Lbs.
3473-V	12" Rough-In Tank	33 Lbs.



COLORS

02: White

Other: Refer to price book for additional colors/finishes

Color number is indicated between part number and letter suffix (i.e. 3464-02-V)



U.S. CUSTOMER SERVICE
Toll Free: 866-821-2811
customerservice@vortens.com
ussales@vortens.com
www.vortens.com

CANADIAN CUSTOMER SERVICE
Toll Free: 866-363-1365
canadiansales@vortens.com
www.vortens.com



LORETTO ADA HET

Model 3140-3475



HYDRO SURGE™
FLUSHING SYSTEM

FEATURES

2-1/8" Fully Glazed Trapway –
Passes a 2" Ball

High-Efficiency Toilet (HET) with
Powerful 1.28 gpf/4.8 lpf Flush

Powered by the 3" HydroSurge™
Flushing System

Flushes 1,000 grams of solids*

8" x 7" Water Surface

Extra-Large Footprint

Ideal Height™ A.D.A. Compliant –
17" High

5-Year Warranty on Vitreous China

3-Year Warranty on Component
and/or Accessory Parts

V-Gloss™ High-Gloss Vitreous China –
Durable, Nonporous

Bowl Shape Compatible with Bemis®
170, 1200, 1500 & 1800 Toilet Seats

SPECIFICATIONS

3140-V Elongated Bowl 59 Lbs.

3475-V 12" Rough-In Tank 30 Lbs.

3477-V 12" Right-Hand Flush 30 Lbs.



Meets ASME A112.19.2 / CSA B45.1
Seat Not Included

*per MaP test

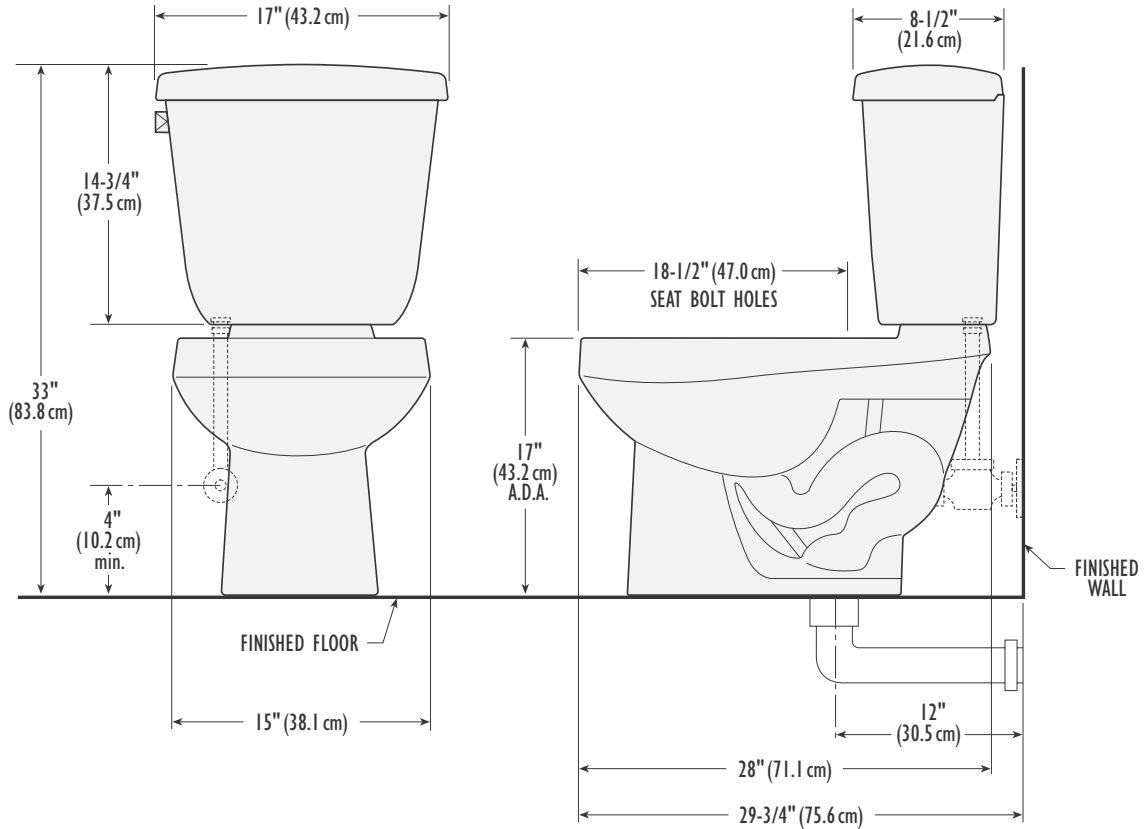
THE PROVEN LEADER
IN FLUSHING PERFORMANCE™

Vortens®

LORETTO ADA HET

Model 3140-3475

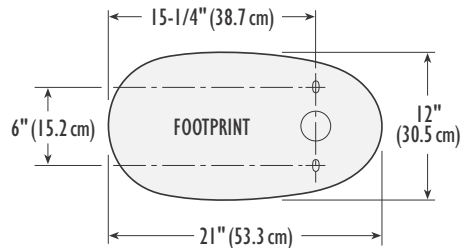
DIMENSIONS



IMPORTANT: Dimensions of fixtures are nominal and may vary within the range of tolerance established by the standards ASME A112.19.2 / CSA B45.1. These measurements are subject to change or cancellation. No responsibility is assumed for use of superseded or voided pages.

SPECIFICATIONS

3140-V	Elongated Bowl	59 Lbs.
3475-V	12" Rough-In Tank	30 Lbs.
3477-V	12" Right-Hand Flush	30 Lbs.



COLORS

02: White

Other: Refer to price book for additional colors/finishes

Color number is indicated between part number and letter suffix (i.e. 3464-02-V)



U.S. CUSTOMER SERVICE
 Toll Free: 866-821-2811
 customerservice@vortens.com
 ussales@vortens.com
 www.vortens.com

CANADIAN CUSTOMER SERVICE
 Toll Free: 866-363-1365
 canadiansales@vortens.com
 www.vortens.com



LORETTO EL HET

Model 3137-3475



HYDRO SURGE™
FLUSHING SYSTEM

FEATURES

2-1/8" Fully Glazed Trapway –
Passes a 2" Ball

High-Efficiency Toilet (HET) with
Powerful 1.28 gpf/4.8 lpf Flush

Powered by the 3" HydroSurge™
Flushing System

Flushes 800 grams of solids*

8" x 7" Water Surface

Extra-Large Footprint

5-Year Warranty on Vitreous China

3-Year Warranty on Component
and/or Accessory Parts

V-Gloss™ High-Gloss Vitreous China –
Durable, Nonporous

Bowl Shape Compatible with Bemis®
170, 200, 500 & 1800 Toilet Seats

SPECIFICATIONS

3137-V Elongated Bowl 57 Lbs.

3475-V 12" Rough-In Tank 30 Lbs.

3477-V 12" Right-Hand Flush 30 Lbs.



Meets ASME A112.19.2 / CSA B45.1
Seat Not Included

*per MaP test

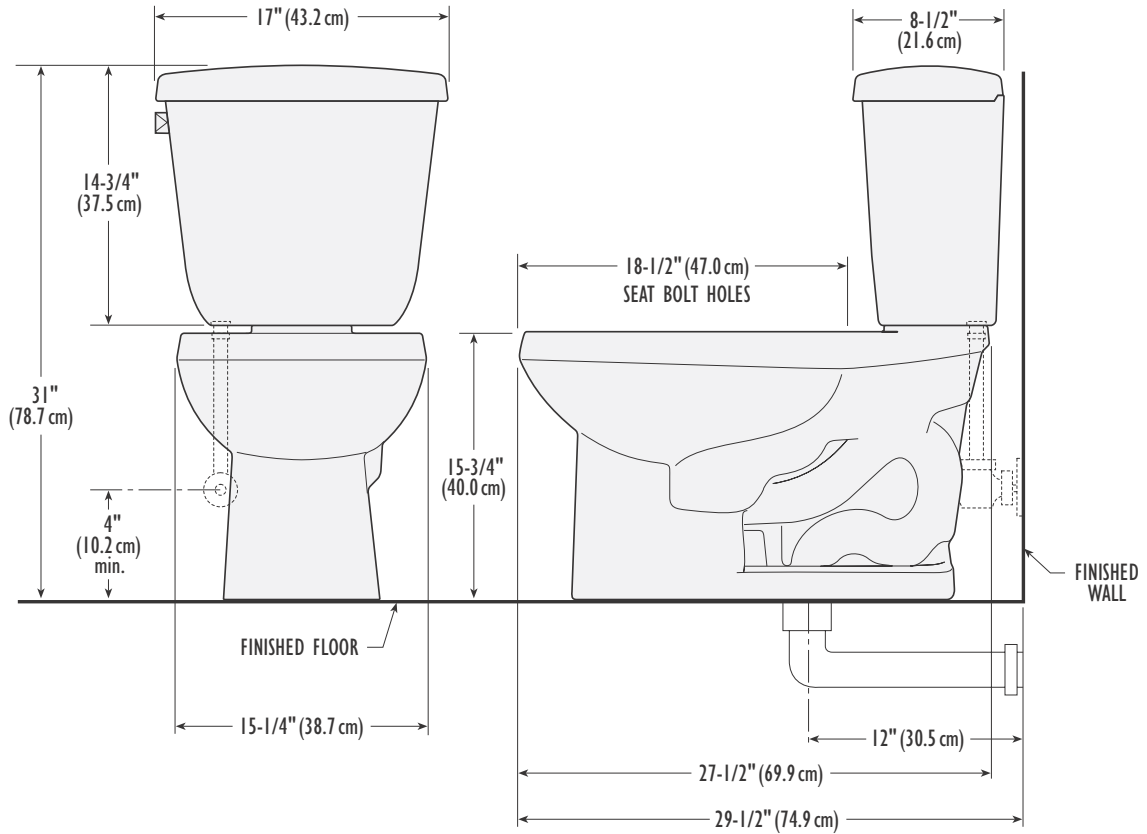
THE PROVEN LEADER
IN FLUSHING PERFORMANCE™

Vortens®

LORETTO EL HET

Model 3137-3475

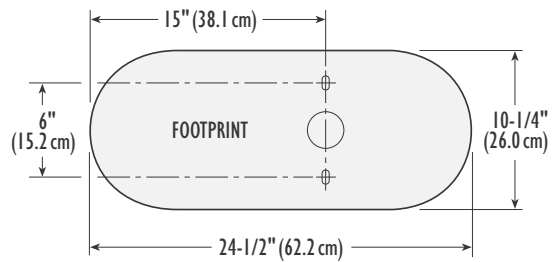
DIMENSIONS



IMPORTANT: Dimensions of fixtures are nominal and may vary within the range of tolerance established by the standards ASME A112.19.2 / CSA B45.1. These measurements are subject to change or cancellation. No responsibility is assumed for use of superseded or voided pages.

SPECIFICATIONS

3137-V	Elongated Bowl	57 Lbs.
3475-V	12" Rough-In Tank	30 Lbs.
3477-V	12" Right-Hand Flush	30 Lbs.



COLORS

02: White

Other: Refer to price book for additional colors/finishes

Color number is indicated between part number and letter suffix (i.e. 3464-02-V)



U.S. CUSTOMER SERVICE
Toll Free: 866-821-2811
customerservice@vortens.com
ussales@vortens.com
www.vortens.com

CANADIAN CUSTOMER SERVICE
Toll Free: 866-363-1365
canadiansales@vortens.com
www.vortens.com



LORETTO RF HET

Model 3213-3475



FEATURES

2-1/8" Fully Glazed Trapway –
Passes a 2" Ball

High-Efficiency Toilet (HET) with
Powerful 1.28 gpf/4.8 lpf Flush

Powered by the 3" HydroSurge™
Flushing System

Flushes 800 grams of solids*

8" x 7" Water Surface

Extra-Large Footprint

5-Year Warranty on Vitreous China

3-Year Warranty on Component
and/or Accessory Parts

V-Gloss™ High-Gloss Vitreous China –
Durable, Nonporous

Bowl Shape Compatible with Bemis®
70, 500 & 600 Toilet Seats

SPECIFICATIONS

3213-V	Round Front Bowl	55 Lbs.
3475-V	12" Rough-In Tank	30 Lbs.
3477-V	12" Right-Hand Flush	30 Lbs.

HYDRO SURGE™
FLUSHING SYSTEM



Meets ASME A112.19.2 / CSA B45.1
Seat Not Included

*per MaP test

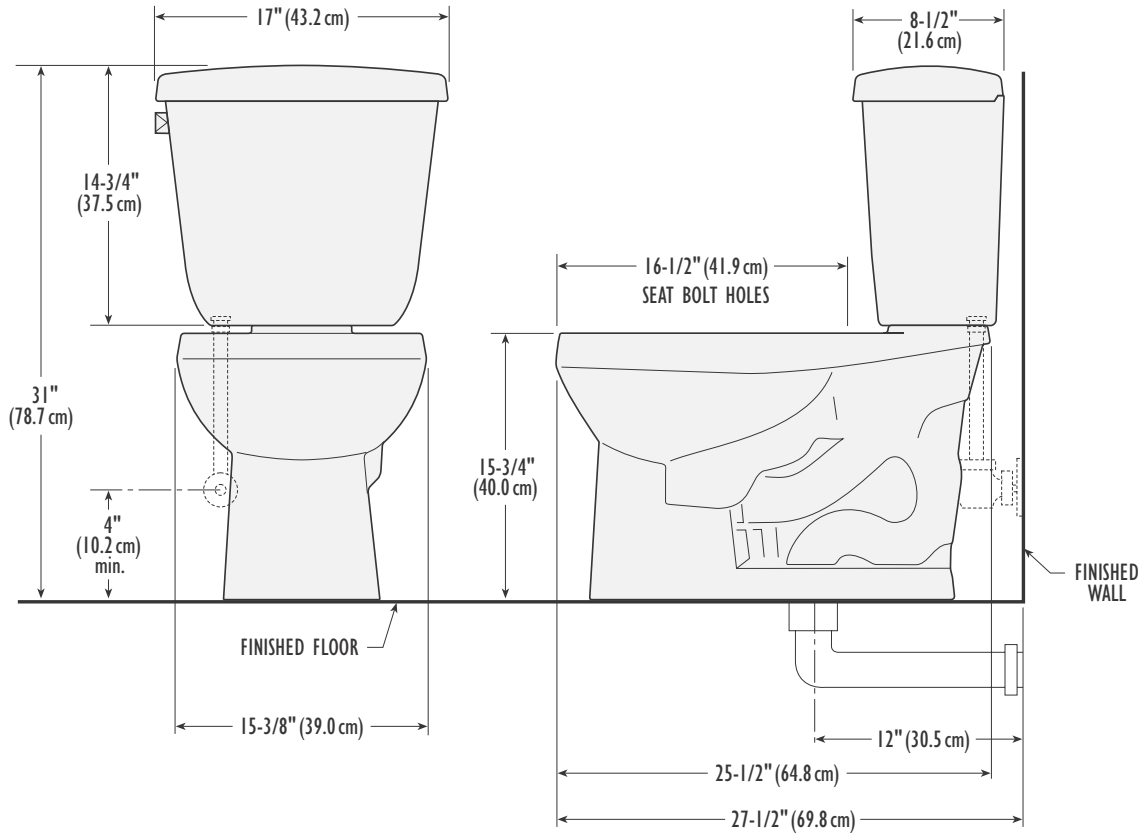
THE PROVEN LEADER
IN FLUSHING PERFORMANCE™

Vortens®

LORETTO RF HET

Model 3213-3475

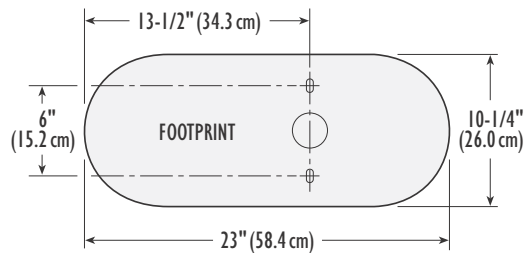
DIMENSIONS



IMPORTANT: Dimensions of fixtures are nominal and may vary within the range of tolerance established by the standards ASME A112.19.2 / CSA B45.1. These measurements are subject to change or cancellation. No responsibility is assumed for use of superseded or voided pages.

SPECIFICATIONS

3213-V	Round Front Bowl	55 Lbs.
3475-V	12" Rough-In Tank	30 Lbs.
3477-V	12" Right-Hand Flush	30 Lbs.



COLORS

02: White

Other: Refer to price book for additional colors/finishes

Color number is indicated between part number and letter suffix (i.e. 3464-02-V)



U.S. CUSTOMER SERVICE
Toll Free: 866-821-2811
customerservice@vortens.com
ussales@vortens.com
www.vortens.com

CANADIAN CUSTOMER SERVICE
Toll Free: 866-363-1365
canadiansales@vortens.com
www.vortens.com



SPARTA ADA HET

Model 3142-3479



FEATURES

2-1/8" Fully Glazed Trapway – Passes a 2" Ball

High-Efficiency Toilet (HET) with Powerful 1.28 gpf/ 4.8 lpf Flush

Powered by the 2" HydroSurge™ Flushing System

Flushes 800 grams of solids*

8" x 7" Water Surface

Twin-Fed Siphon Jet Bowl

Extra-Large Footprint

Ideal Height™ A.D.A. Compliant – 16-3/4" High

5-Year Warranty on Vitreous China

3-Year Warranty on Component and/or Accessory Parts

V-Gloss™ High-Gloss Vitreous China – Durable, Nonporous

Bowl Shape Compatible with Bemis® 1500 Toilet Seat

SPECIFICATIONS

3142-V Elongated Bowl 56 Lbs.

3479-V 12" Rough-In Tank 29 Lbs.

HYDRO SURGE™
FLUSHING SYSTEM



Meets ASME A112.19.2 / CSA B45.1
Seat Not Included

*per MaP test

THE PROVEN LEADER
IN FLUSHING PERFORMANCE™

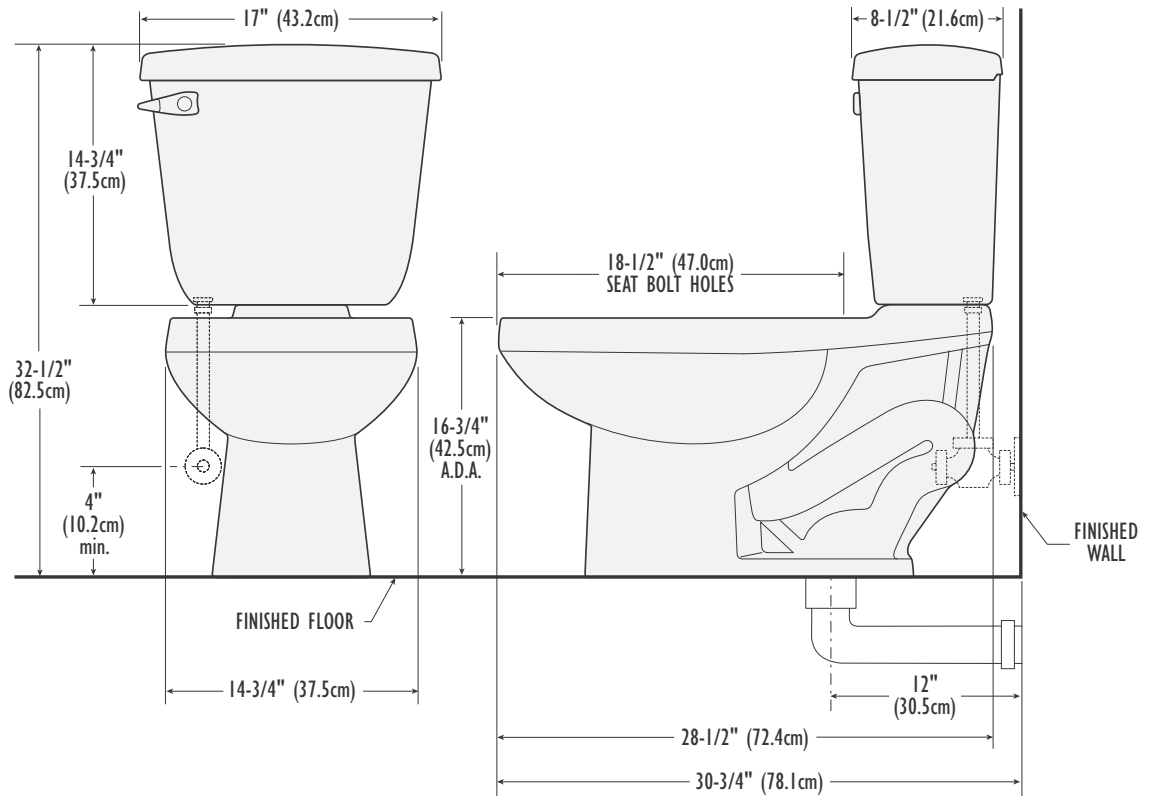
Vortens®

SPARTA ADA HET

Model 3142-3479

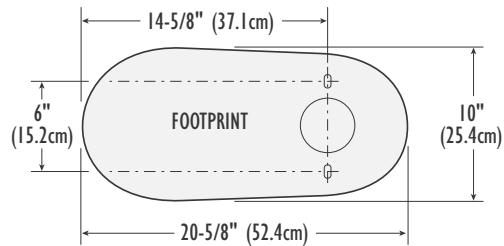
DIMENSIONS

IMPORTANT: Dimensions of fixtures are nominal and may vary within the range of tolerance established by the standards ASME A112.19.2 / CSA B45.1. These measurements are subject to change or cancellation. No responsibility is assumed for use of superseded or voided pages.



SPECIFICATIONS

3142-V	Elongated Bowl	56 Lbs.
3479-V	12" Rough-In Tank	29 Lbs.
3480-V	10" Rough-In Tank	20 Lbs.
3481-V	14" Rough-In Tank	28 Lbs.
3482-V	12" Right Hand Flush	29 Lbs.



COLORS

02: White

Other: Refer to price book for additional colors/finishes

Color number is indicated between part number and letter suffix (i.e. 3464-02-V)



U.S. CUSTOMER SERVICE
 Toll Free: 866-821-2811
 customerservice@vortens.com
 ussales@vortens.com
 www.vortens.com

CANADIAN CUSTOMER SERVICE
 Toll Free: 866-363-1365
 canadiansales@vortens.com
 www.vortens.com



SPARTA EL HET

Model 3141-3479



FEATURES

2-1/8" Fully Glazed Trapway – Passes a 2" Ball

High-Efficiency Toilet (HET) with Powerful 1.28 gpf / 4.8 lpf Flush

Powered by the 2" HydroSurge™ Flushing System

Flushes 800 grams of solids*

8" x 7" Water Surface

Twin-Fed Siphon Jet Bowl

Extra-Large Footprint

Ideal Height™ 15-3/4" High

5-Year Warranty on Vitreous China

3-Year Warranty on Component and/or Accessory Parts

V-Gloss™ High-Gloss Vitreous China – Durable, Nonporous

Bowl Shape Compatible with Bemis® 1500 Toilet Seat

SPECIFICATIONS

3141-V Elongated Bowl 50 Lbs.

3479-V 12" Rough-In Tank 29 Lbs.

HYDRO SURGE™
FLUSHING SYSTEM



Meets ASME A112.19.2 / CSA B45.1
Seat Not Included

*per MaP test

THE PROVEN LEADER
IN FLUSHING PERFORMANCE™

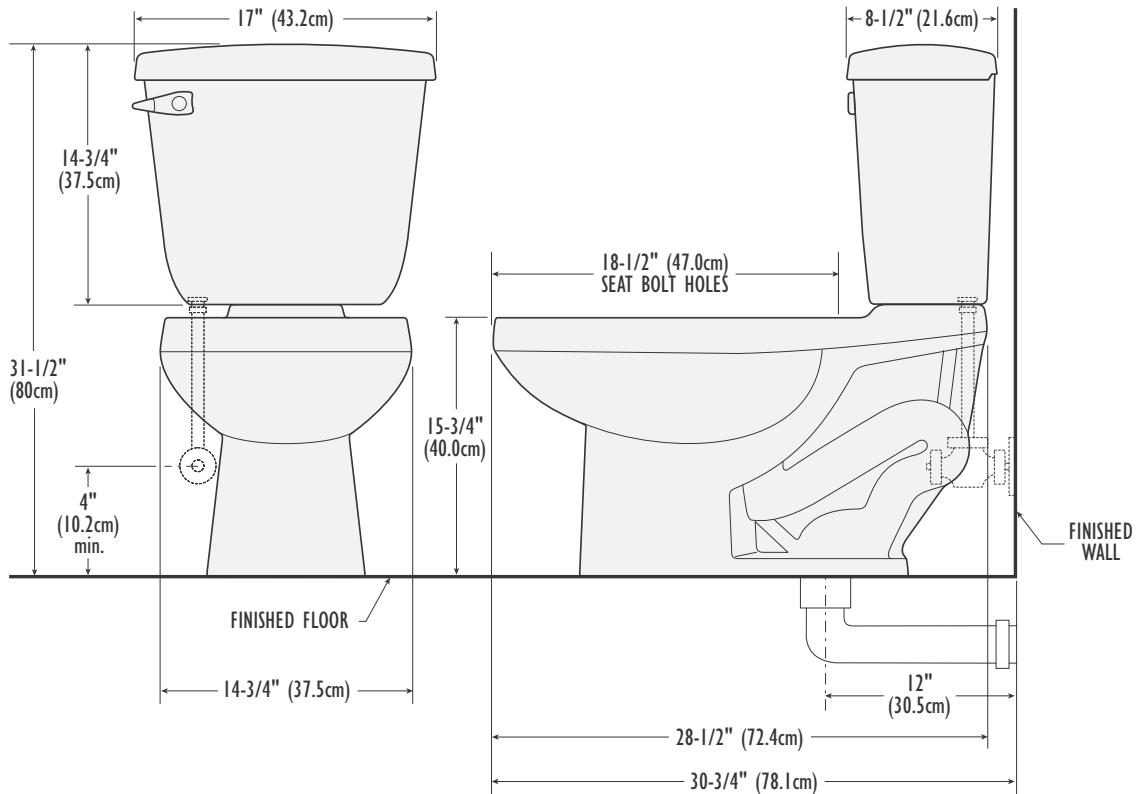
Vortens®

SPARTA EL HET

Model 3141-3479

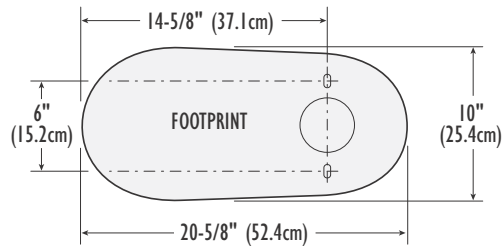
DIMENSIONS

IMPORTANT: Dimensions of fixtures are nominal and may vary within the range of tolerance established by the standards ASME A112.19.2 / CSA B45.1. These measurements are subject to change or cancellation. No responsibility is assumed for use of superseded or voided pages.



SPECIFICATIONS

3141-V	Elongated Bowl	50 Lbs.
3479-V	12" Rough-In Tank	29 Lbs.
3480-V	10" Rough-In Tank	20 Lbs.
3481-V	14" Rough-In Tank	28 Lbs.
3482-V	12" Right Hand Flush	29 Lbs.



COLORS

02: White

Other: Refer to price book for additional colors/finishes

Color number is indicated between part number and letter suffix (i.e. 3464-02-V)



U.S. CUSTOMER SERVICE
Toll Free: 866-821-2811
customerservice@vortens.com
ussales@vortens.com
www.vortens.com

CANADIAN CUSTOMER SERVICE
Toll Free: 866-363-1365
canadiansales@vortens.com
www.vortens.com



SPARTA RF HET

Model 3215-3479



FEATURES

2-1/8" Fully Glazed Trapway – Passes a 2" Ball

High-Efficiency Toilet (HET) with Powerful 1.28 gpf / 4.8 lpf Flush

Powered by the 2" HydroSurge™ Flushing System

Flushes 800 grams of solids*

8" x 7" Water Surface

Twin-Fed Siphon Jet Bowl

Extra-Large Footprint

Ideal Height™ 15-1/2" High

5-Year Warranty on Vitreous China

3-Year Warranty on Component and/or Accessory Parts

V-Gloss™ High-Gloss Vitreous China – Durable, Nonporous

Bowl Shape Compatible with Bemis® 1500 Toilet Seat

SPECIFICATIONS

3215-V Round Front Bowl 49 Lbs.

3479-V 12" Rough-In Tank 29 Lbs.

HYDRO SURGE™
FLUSHING SYSTEM



Meets ASME A112.19.2 / CSA B45.1
Seat Not Included

*per MaP test

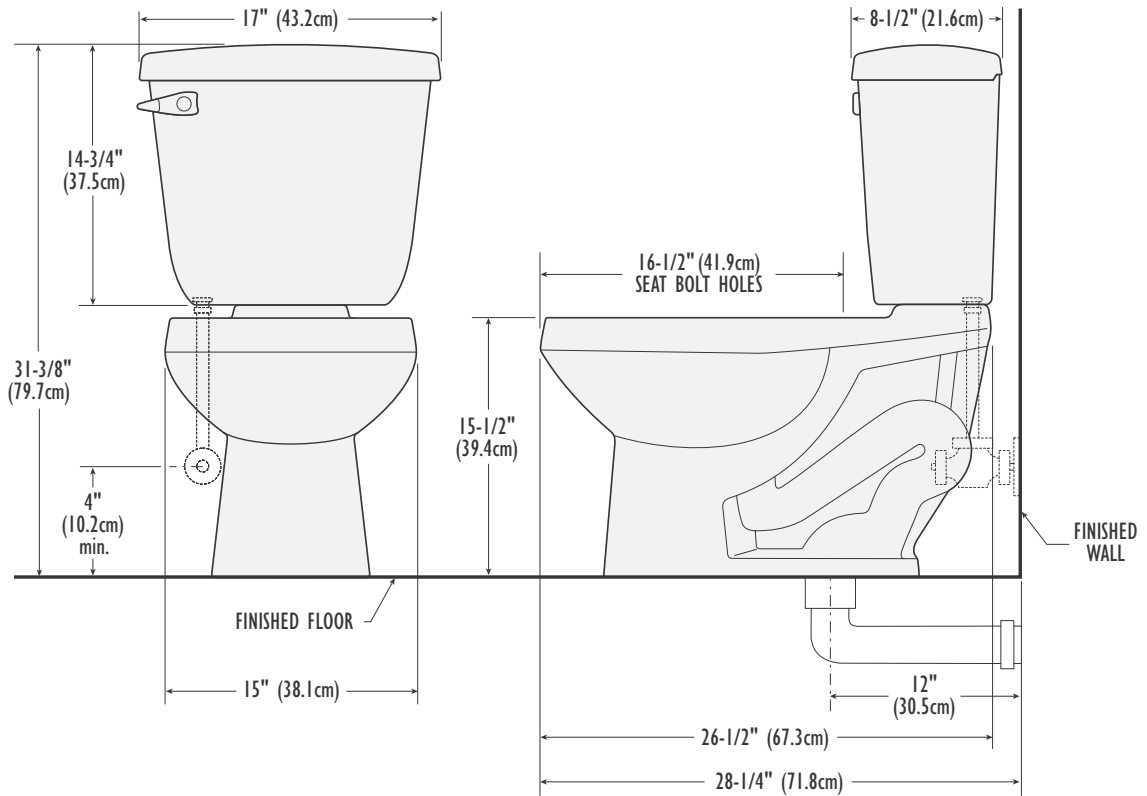
THE PROVEN LEADER
IN FLUSHING PERFORMANCE™

Vortens®
The Vortens logo graphic, consisting of several curved, horizontal lines that suggest a sense of motion or a vortex.

SPARTA RF HET

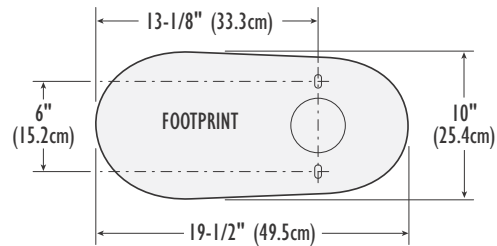
Model 3215-3479

DIMENSIONS



SPECIFICATIONS

3215-V	Round Front Bowl	49 Lbs.
3479-V	12" Rough-In Tank	29 Lbs.
3480-V	10" Rough-In Tank	20 Lbs.
3481-V	14" Rough-In Tank	28 Lbs.
3482-V	12" Right Hand Flush	29 Lbs.



COLORS

02: White

Other: Refer to price book for additional colors/finishes

Color number is indicated between part number and letter suffix (i.e. 3464-02-V)



U.S. CUSTOMER SERVICE
Toll Free: 866-821-2811
customerservice@vortens.com
ussales@vortens.com
www.vortens.com

CANADIAN CUSTOMER SERVICE
Toll Free: 866-363-1365
canadiansales@vortens.com
www.vortens.com



TORNADO ADA HET

Model 3134-3471



FEATURES

2-1/4" Fully Glazed Trapway – Passes a 2" Ball

High-Efficiency Toilet (HET) with Powerful Pressure-Assist
1.28 gpf / 4.8 lpf Flush

Extra-Quiet Flushing Action

Pressure-Assist – Equipped with Sloan Flushmate® IV

Flushes 1,000 grams of solids*

Extra-Large 12" x 10-1/2" Water Surface

Chrome-Plated Metal Flush Lever

Ideal Height™ A.D.A. Compliant – 16-1/2" High

5-Year Warranty on Vitreous China

V-Gloss™ High-Gloss Vitreous China – Durable, Nonporous

Bowl Shape Compatible with Bemis® 170 & 1800 Toilet Seats

SPECIFICATIONS

3134-V	Elongated Bowl	53 Lbs.
3471-V	12" Rough-In Tank	37 Lbs.
3478-V	12" Right-Hand Flush	37 Lbs.

See other side for additional options.



Meets ASME A112.19.2 / CSA B45.1
Seat Not Included

*per MaP test

THE PROVEN LEADER
IN FLUSHING PERFORMANCE™

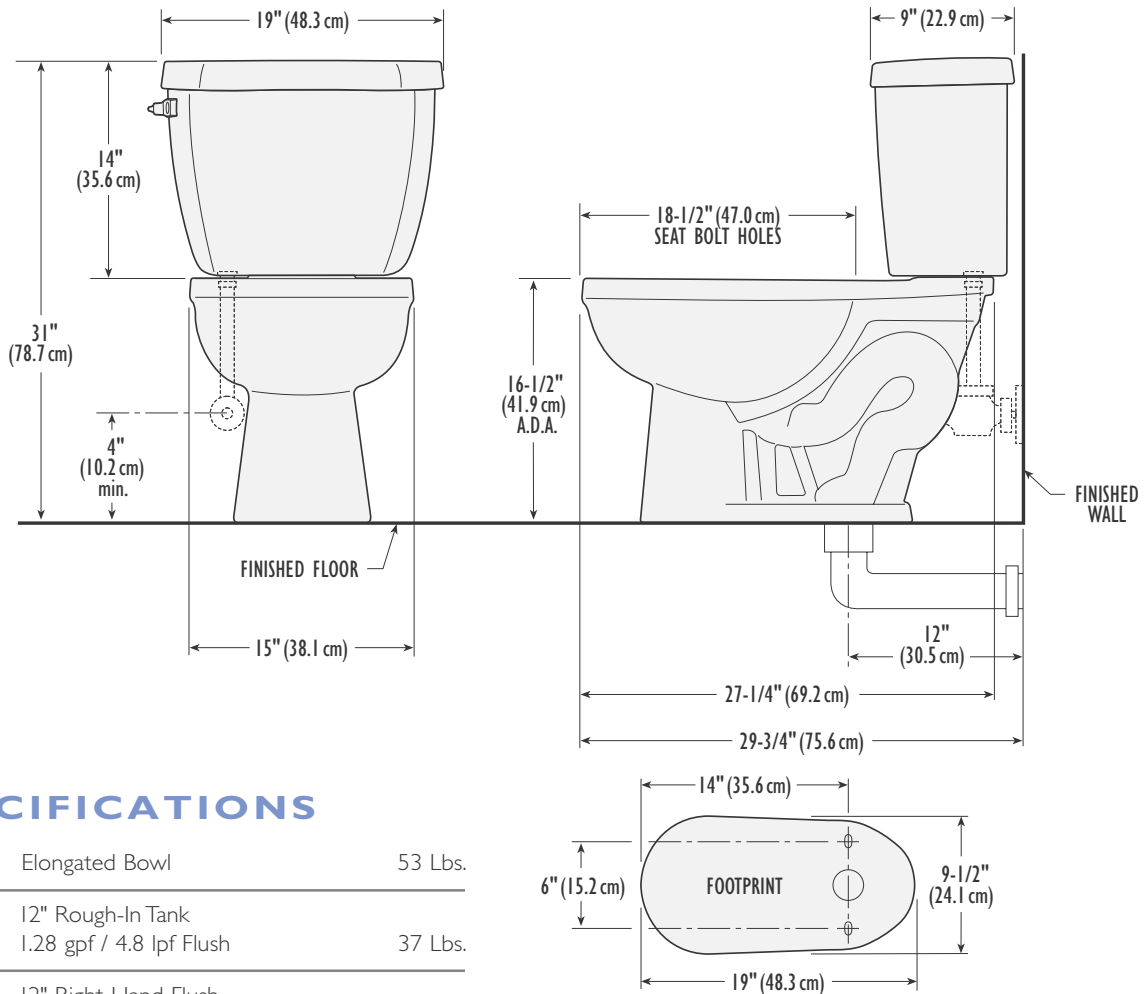
Vortens®


TORNADO ADA HET

Model 3134-3471

DIMENSIONS

IMPORTANT: Dimensions of fixtures are nominal and may vary within the range of tolerance established by the standards ASME A112.19.2 / CSA B45.1. These measurements are subject to change or cancellation. No responsibility is assumed for use of superseded or voided pages.



SPECIFICATIONS

3134-V	Elongated Bowl	53 Lbs.
3471-V	12" Rough-In Tank 1.28 gpf / 4.8 lpf Flush	37 Lbs.
3478-V	12" Right-Hand Flush 1.28 gpf / 4.8 lpf Flush	37 Lbs.
3468-V*	12" Rough-In Tank 1.0 gpf / 3.8 lpf Flush	37 Lbs.
3470-V*	12" Right-Hand Flush 1.0 gpf / 3.8 lpf Flush	37 Lbs.

*Special Order

COLORS

02: White

Other: Refer to price book for additional colors/finishes

Color number is indicated between part number and letter suffix (i.e. 3464-02-V)



U.S. CUSTOMER SERVICE
Toll Free: 866-821-2811
customerservice@vortens.com
ussales@vortens.com
www.vortens.com

CANADIAN CUSTOMER SERVICE
Toll Free: 866-363-1365
canadiansales@vortens.com
www.vortens.com



TORNADO EL HET

Model 3138-3471



FEATURES

2-1/4" Fully Glazed Trapway –
Passes a 2" Ball

High-Efficiency Toilet (HET) with
Powerful Pressure-Assist
1.28 gpf/ 4.8 lpf Flush

Extra-Quiet Flushing Action

Pressure-Assist – Equipped with
Sloan Flushmate® IV

Flushes 700 grams of solids*

Extra-Large 12" x 10-1/2" Water Surface

Chrome-Plated Metal Flush Lever

5-Year Warranty on Vitreous China

V-Gloss™ High-Gloss Vitreous China –
Durable, Nonporous

Bowl Shape Compatible with Bemis®
170, 1500 & 1600 Toilet Seats

SPECIFICATIONS

3138-V	Elongated Bowl	48 Lbs.
3471-V	12" Rough-In Tank	37 Lbs.
3478-V	12" Right-Hand Flush	37 Lbs.

See other side for additional options.



Meets ASME A112.19.2 / CSA B45.1
Seat Not Included

*per MaP test

THE PROVEN LEADER
IN FLUSHING PERFORMANCE™

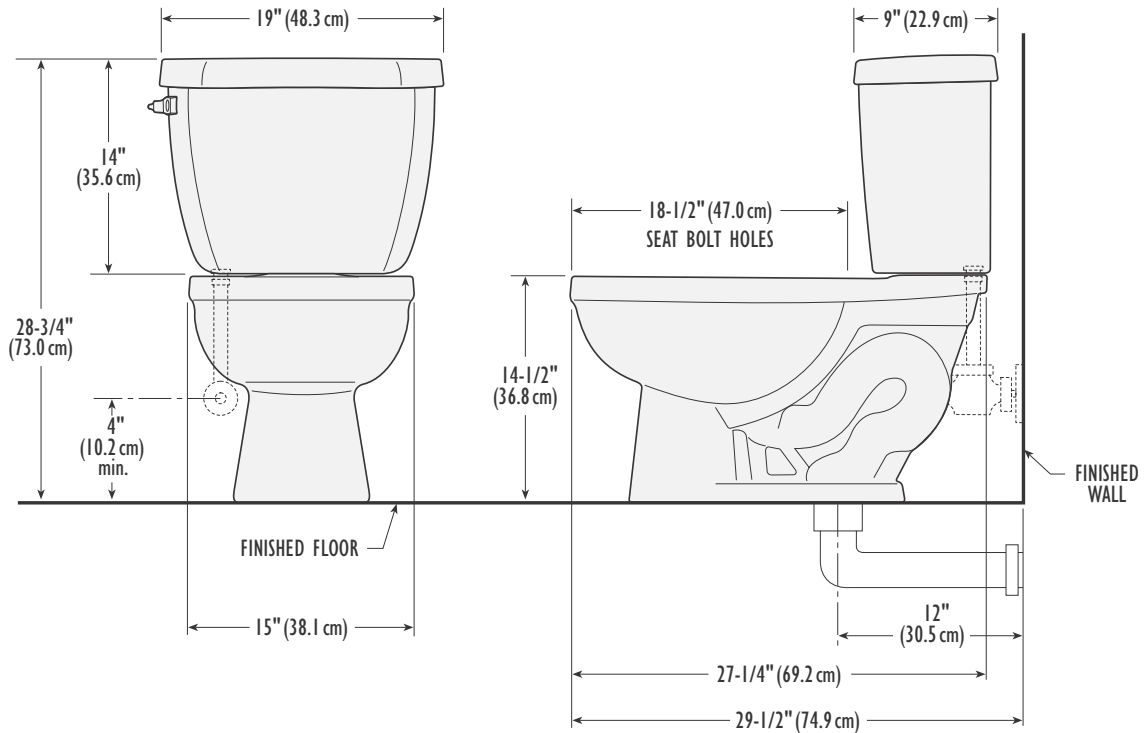
Vortens®


TORNADO EL HET

Model 3138-3471

DIMENSIONS

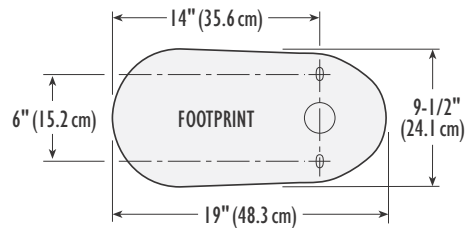
IMPORTANT: Dimensions of fixtures are nominal and may vary within the range of tolerance established by the standards ASME A112.19.2 / CSA B45.1. These measurements are subject to change or cancellation. No responsibility is assumed for use of superseded or voided pages.



SPECIFICATIONS

3138-V	Elongated Bowl	48 Lbs.
3471-V	12" Rough-In Tank 1.28 gpf / 4.8 lpf Flush	37 Lbs.
3478-V	12" Right-Hand Flush 1.28 gpf / 4.8 lpf Flush	37 Lbs.
3468-V*	12" Rough-In Tank 1.0 gpf / 3.8 lpf Flush	37 Lbs.
3470-V*	12" Right-Hand Flush 1.0 gpf / 3.8 lpf Flush	37 Lbs.

*Special Order



COLORS

02: White

Other: Refer to price book for additional colors/finishes

Color number is indicated between part number and letter suffix (i.e. 3464-02-V)



U.S. CUSTOMER SERVICE
Toll Free: 866-821-2811
customerservice@vortens.com
ussales@vortens.com
www.vortens.com

CANADIAN CUSTOMER SERVICE
Toll Free: 866-363-1365
canadiansales@vortens.com
www.vortens.com



RHODAS ADA DF

Model 3123-3436

FEATURES

2-1/8" Fully Glazed Trapway – Passes a 2" Ball

Dual-Flush, High-Efficiency Toilet (HET) with Powerful 1.6 gpf/6.0 lpf Flush and 1.1 gpf/4.0 lpf Flush

Equipped with – Pilot Valve

Flushes 1,000 grams of solids*

8" x 7" Water Surface

Extra-Large Footprint

Ideal Height™ A.D.A. Compliant** – 17" High

5-Year Warranty on Vitreous China

3-Year Warranty on Component and/or Accessory Parts

V-Gloss™ High-Gloss Vitreous China – Durable, Nonporous

Bowl Shape Compatible with Bemis® 170, 1200, 1500 & 1800 Toilet Seats

SPECIFICATIONS

3123-V	Elongated Bowl	56 Lbs.
3436-V	12" Rough-In Dual-Flush Tank	34 Lbs.
3438-V	12" Push-Button Tank	34 Lbs.

See other side for additional options.



Meets ASME A112.19.2 / CSA B45.1
Seat Not Included

*per MaP test



Our Dual-Flush System makes controlling the amount of water per flush easy. Simply move the flush lever forward for a more powerful and efficient 1.6 gpf/6.0 lpf flush for solid waste or backward for a 1.1 gpf/4.0 lpf flush for liquid waste (same as a urinal).



With the two-button Dual-Flush System control you can select a powerful, efficient 1.6 gpf/6.0 lpf flush for solid waste or a 1.1 gpf/4.0 lpf for liquid waste.

**A.D.A. compliant when installed with trip lever located on approach side.

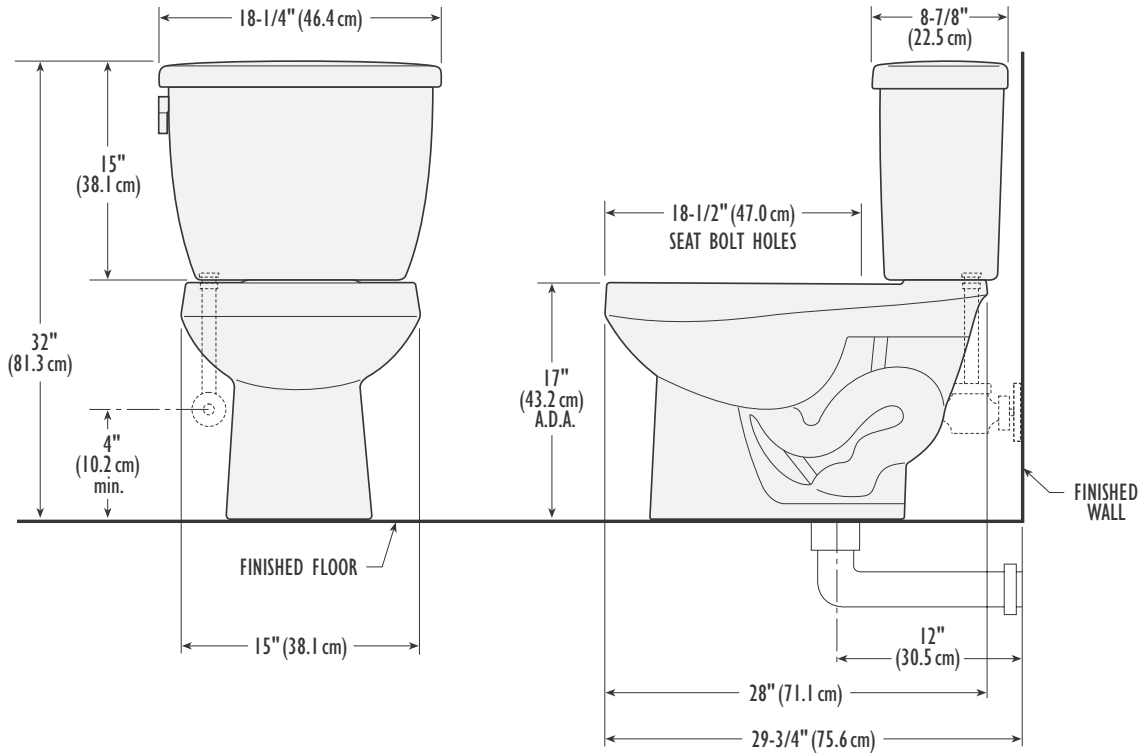
THE PROVEN LEADER
IN FLUSHING PERFORMANCE™



RHODAS ADA DF

Model 3123-3436

DIMENSIONS

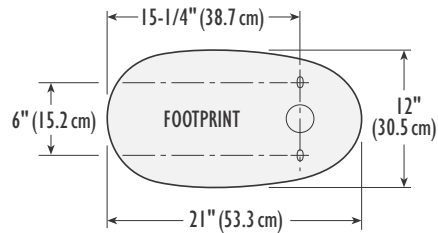


IMPORTANT: Dimensions of fixtures are nominal and may vary within the range of tolerance established by the standards ASME A112.19.2 / CSA B45.1. These measurements are subject to change or cancellation. No responsibility is assumed for use of superseded or voided pages.

SPECIFICATIONS

3123-V	Elongated Bowl	56 Lbs.
3436-V	12" Rough-In Dual-Flush Tank	34 Lbs.
3437-V	12" Right-Hand Dual-Flush Tank	34 Lbs.
3472-VD	10" Rough-In Tank	32 Lbs.
3438-V	12" Push-Button Tank	34 Lbs.

* Can also be used with Dual-Flush Tank 3420



COLORS

02: White

Other: Refer to price book for additional colors/finishes

Color number is indicated between part number and letter suffix (i.e. 3464-02-V)



U.S. CUSTOMER SERVICE
Toll Free: 866-821-2811
customerservice@vortens.com
ussales@vortens.com
www.vortens.com

CANADIAN CUSTOMER SERVICE
Toll Free: 866-363-1365
canadiansales@vortens.com
www.vortens.com



VIENNA EL DF

Model 3113-3436



Model 3113-3438

Model 3113-3436



With the two-button Dual-Flush System control you can select a powerful, efficient 1.6 gpf/6.0 lpf flush for solid waste or a 1.1 gpf/4.0 lpf for liquid waste.



Our Dual-Flush System makes controlling the amount of water per flush easy. Simply move the flush lever forward for a more powerful and efficient 1.6 gpf/6.0 lpf flush for solid waste or backward for a 1.1 gpf/4.0 lpf flush for liquid waste (same as a urinal).

FEATURES

2-1/8" Fully Glazed Trapway – Passes a 2" Ball

Dual-Flush, High-Efficiency Toilet (HET) with Powerful 1.6 gpf/6.0 lpf Flush and 1.1 gpf/4.0 lpf Flush

Equipped with – Pilot Valve

Flushes 600 grams of solids*

8-1/2" x 7" Water Surface

5-Year Warranty on Vitreous China

3-Year Warranty on Component and/or Accessory Parts

V-Gloss™ High-Gloss Vitreous China – Durable, Nonporous

Bowl Shape Compatible with Bemis® 170, 1200, 1600 & 1800 Toilet Seats

SPECIFICATIONS

3113-V	Elongated Bowl	48 Lbs.
3436-V	12" Rough-In Dual-Flush Tank	34 Lbs.
3438-V	12" Push-Button Tank	34 Lbs.

See other side for additional options.



Meets ASME A112.19.2 / CSA B45.1
Seat Not Included

*per MaP test

THE PROVEN LEADER
IN FLUSHING PERFORMANCE™

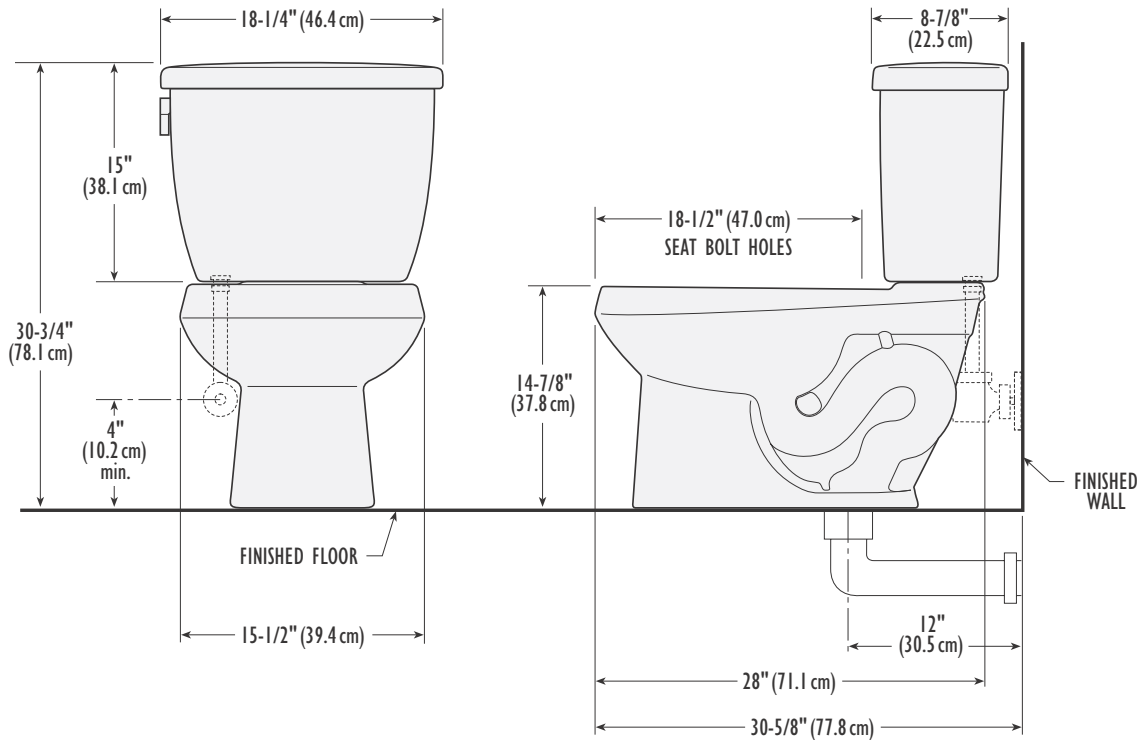


VIENNA EL DF

Model 3113-3436

DIMENSIONS

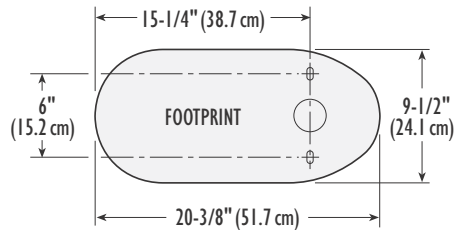
IMPORTANT: Dimensions of fixtures are nominal and may vary within the range of tolerance established by the standards ASME A112.19.2 / CSA B45.1. These measurements are subject to change or cancellation. No responsibility is assumed for use of superseded or voided pages.



SPECIFICATIONS

3113-V	Elongated Bowl	48 Lbs.
3436-V	12" Rough-In Dual-Flush Tank	34 Lbs.
3472-VD	10" Rough-In Dual-Flush Tank	32 Lbs.
3437-V	12" Right-Hand Dual-Flush Tank	34 Lbs.
3438-V	12" Push-Button Tank	34 Lbs.

* Can also be used with Dual-Flush Tank 3420



COLORS

02: White

Other: Refer to price book for additional colors/finishes

Color number is indicated between part number and letter suffix (i.e. 3464-02-V)



U.S. CUSTOMER SERVICE
Toll Free: 866-821-2811
customerservice@vortens.com
ussales@vortens.com
www.vortens.com

CANADIAN CUSTOMER SERVICE
Toll Free: 866-363-1365
canadiansales@vortens.com
www.vortens.com



VIENNA RF DF

Model 3208-3436



Model 3208-3436

Model 3208-3438



Our Dual-Flush System makes controlling the amount of water per flush easy. Simply move the flush lever forward for a more powerful and efficient 1.6 gpf/6.0 lpf flush for solid waste or backward for a 1.1 gpf/4.0 lpf flush for liquid waste (same as a urinal).



With the two-button Dual-Flush System control you can select a powerful, efficient 1.6 gpf/6.0 lpf flush for solid waste or a 1.1 gpf/4.0 lpf for liquid waste.

FEATURES

- 2-1/8" Fully Glazed Trapway – Passes a 2" Ball

- Dual-Flush, High-Efficiency Toilet (HET) with Powerful 1.6 gpf/6.0 lpf Flush and 1.1 gpf/4.0 lpf Flush

- Equipped with – Pilot Valve

- Flushes 600 grams of solids*

- 8" x 7" Water Surface

- 5-Year Warranty on Vitreous China

- 3-Year Warranty on Component and/or Accessory Parts

- V-Gloss™ High-Gloss Vitreous China – Durable, Nonporous

- Bowl Shape Compatible with Bemis® 70, 500 & 600 Toilet Seats

SPECIFICATIONS

3208-V	Round Front Bowl	41 Lbs.
3436-V	12" Rough-In Dual-Flush Tank	34 Lbs.
3438-V	12" Push-Button Tank	34 Lbs.

See other side for additional options.



Meets ASME A112.19.2 / CSA B45.1
Seat Not Included

*per MaP test

THE PROVEN LEADER
IN FLUSHING PERFORMANCE™

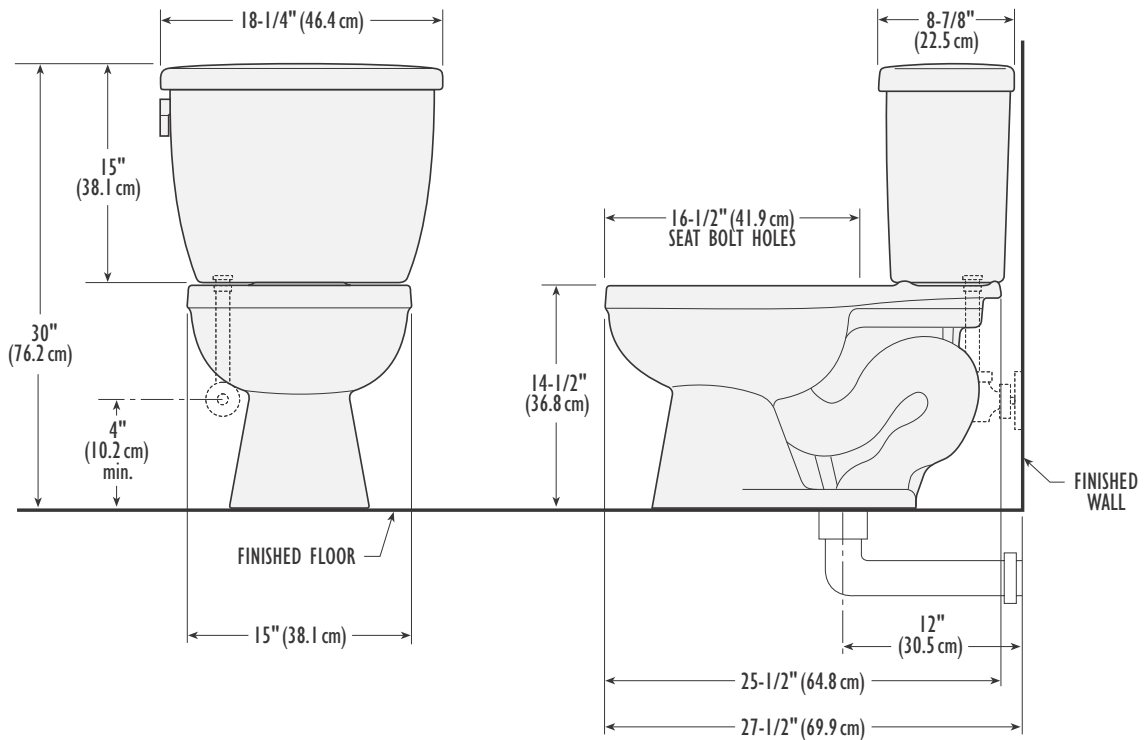


VIENNA RF DF

Model 3208-3436

DIMENSIONS

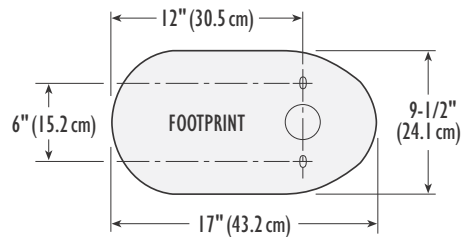
IMPORTANT: Dimensions of fixtures are nominal and may vary within the range of tolerance established by the standards ASME A112.19.2 / CSA B45.1. These measurements are subject to change or cancellation. No responsibility is assumed for use of superseded or voided pages.



SPECIFICATIONS

3208-V	Round Front Bowl	41 Lbs.
3209-V	Round Front Large Footprint Bowl	43 Lbs.
3436-V	12" Rough-In Dual-Flush Tank	34 Lbs.
3472-VD	10" Rough-In Tank	32 Lbs.
3437-V	12" Right-Hand Dual-Flush Tank	34 Lbs.
3438-V	12" Push-Button Tank	34 Lbs.

* Can also be used with Dual-Flush Tank 3420



COLORS

02: White

Other: Refer to price book for additional colors/finishes

Color number is indicated between part number and letter suffix (i.e. 3464-02-V)



U.S. CUSTOMER SERVICE
Toll Free: 866-821-2811
customerservice@vortens.com
ussales@vortens.com
www.vortens.com

CANADIAN CUSTOMER SERVICE
Toll Free: 866-363-1365
canadiansales@vortens.com
www.vortens.com



MANCHESTER DF

Model 3107-3427



With the two-button Dual-Flush System control you can select a powerful, efficient 1.6 gpf/6.0 lpf flush for solid waste or a 1.1 gpf/4.0 lpf for liquid waste.

FEATURES

2-1/8" Fully Glazed Trapway

Dual-Flush, High-Efficiency Toilet (HET) with Powerful 1.6 gpf/6.0 lpf Flush and 1.1 gpf/4.0 lpf Flush

Equipped with – Pilot Valve

Flushes 600 grams of solids

Classic design with metal push button on top of tank

Ideal Height™ – 17" High

Part of the Manchester Suite

5-Year Warranty on Vitreous China

3-Year Warranty on Component and/or Accessory Parts

V-Gloss™ High-Gloss Vitreous China – Durable, Nonporous

Bowl Shape Compatible with Bemis® 1800 Toilet Seat

SPECIFICATIONS

3107-V	Elongated Bowl	66 Lbs.
3427-V	12" Rough-In Dual-Flush Tank	32 Lbs.

Meets ASME A112.19.2 / CSA B45.1
Seat Not Included

THE PROVEN LEADER
IN FLUSHING PERFORMANCE™

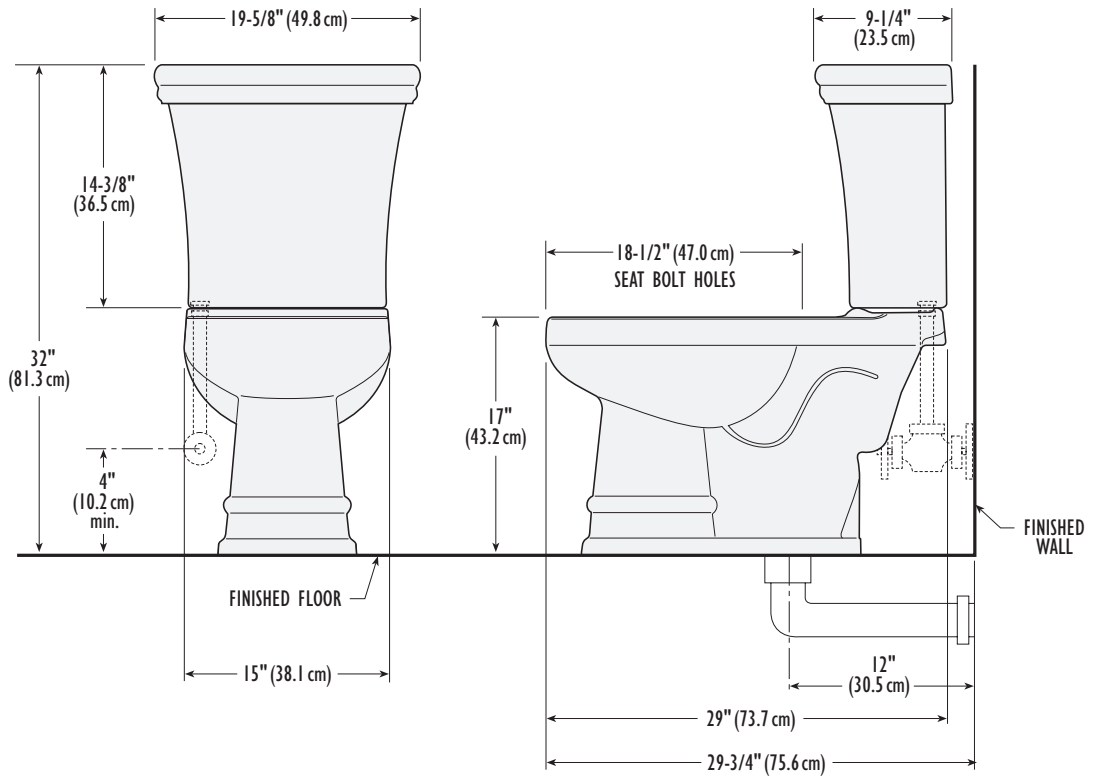
Vortens®

MANCHESTER DF

Model 3107-3427

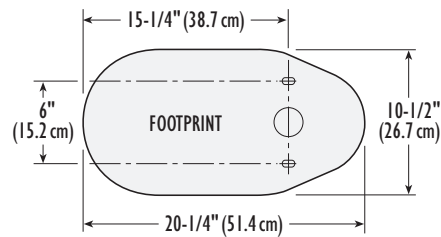
DIMENSIONS

IMPORTANT: Dimensions of fixtures are nominal and may vary within the range of tolerance established by the standards ASME A112.19.2 / CSA B45.1. These measurements are subject to change or cancellation. No responsibility is assumed for use of superseded or voided pages.



SPECIFICATIONS

3107-V	Elongated Bowl	66 Lbs.
3427-V	12" Rough-In Dual-Flush Tank	32 Lbs.



COLORS

02: White

Other: Refer to price book for additional colors/finishes

Color number is indicated between part number and letter suffix (i.e. 3464-02-V)



U.S. CUSTOMER SERVICE
Toll Free: 866-821-2811
customerservice@vortens.com
ussales@vortens.com
www.vortens.com

CANADIAN CUSTOMER SERVICE
Toll Free: 866-363-1365
canadiansales@vortens.com
www.vortens.com



DELPHOS EL DF

Model 3130



With the two-button Dual-Flush System control you can select a powerful, efficient 1.6 gpf/6.0 lpf flush for solid waste or a 1.1 gpf/4.0 lpf for liquid waste.

FEATURES

2" Fully Glazed Trapway

Dual-Flush, High-Efficiency Toilet (HET) with Powerful 1.6 gpf/6.0 lpf Flush and 1.1 gpf/4.0 lpf Flush

Equipped with – Pilot Valve

Flushes 600 grams of solids

Skirted Bowl with Concealed Trap for Easy Cleaning

Side-Mounted, Chrome-Plated Metal Flush Lever

Soft-Close Toilet Seat Included

9-1/4" x 6-1/4" Water Surface

5-Year Warranty on Vitreous China

3-Year Warranty on Component and/or Accessory Parts

V-Gloss™ High-Gloss Vitreous China – Durable, Nonporous

SPECIFICATIONS

3130-V	One-Piece Elongated Toilet	110 Lbs.
--------	-------------------------------	----------



Meets ASME A112.19.2 / CSA B45.1
Seat Not Included

THE PROVEN LEADER
IN FLUSHING PERFORMANCE™

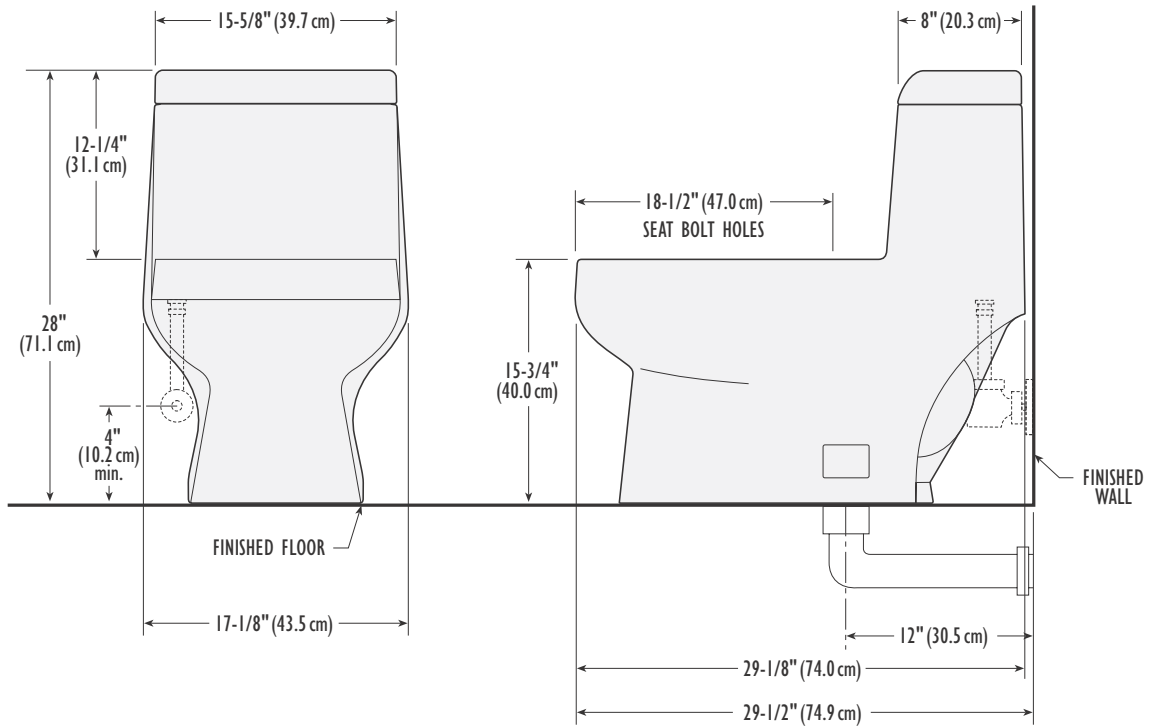
Vortens®

DELPHOS EL DF

Model 3130

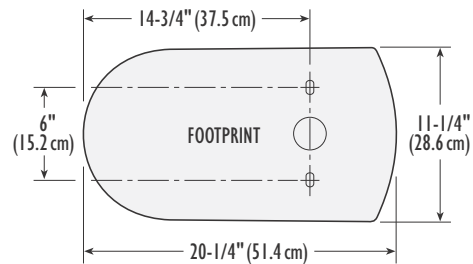
DIMENSIONS

IMPORTANT: Dimensions of fixtures are nominal and may vary within the range of tolerance established by the standards ASME A112.19.2 / CSA B45.1. These measurements are subject to change or cancellation. No responsibility is assumed for use of superseded or voided pages.



SPECIFICATIONS

3130-V One-Piece Elongated Toilet 110 Lbs.



COLORS

02: White

Other: Refer to price book for additional colors/finishes

Color number is indicated between part number and letter suffix (i.e. 3464-02-V)



U.S. CUSTOMER SERVICE
 Toll Free: 866-821-2811
 customerservice@vortens.com
 ussales@vortens.com
 www.vortens.com

CANADIAN CUSTOMER SERVICE
 Toll Free: 866-363-1365
 canadiansales@vortens.com
 www.vortens.com



Vortens®

ALL PERFORMANCE.
NO PROBLEMS.



1.6 gpf / 6.0 lpf TOILETS

THE PROVEN LEADER
IN FLUSHING PERFORMANCE™

FORZA ADA

Model 3140-3469



FEATURES

2-1/8" Fully Glazed Trapway –
Passes a 2" Ball

Powerful & Efficient 1.6 gpf/6.0 lpf

3" Flush Valve

Equipped with – Pilot Valve

Flushes 1,000 grams of solids

8" x 7" Water Surface

Extra-Large Footprint

Ideal Height™ A.D.A. Compliant –
17" High

5-Year Warranty on Vitreous China

3-Year Warranty on Component
and/or Accessory Parts

V-Gloss™ High-Gloss Vitreous China –
Durable, Nonporous

Bowl Shape Compatible with Bemis®
170, 1200, 1500 & 1800 Toilet Seats

SPECIFICATIONS

3140-V Elongated Bowl 59 Lbs.

3469-V 12" Rough-In Tank 33 Lbs.

3476-V 12" Right-Hand Flush* 33 Lbs.

*Right-Hand Flush Tank comes equipped with chrome-plated
all-metal flush lever.



Meets ASME A112.19.2 / CSA B45.1
Seat Not Included

THE PROVEN LEADER
IN FLUSHING PERFORMANCE™

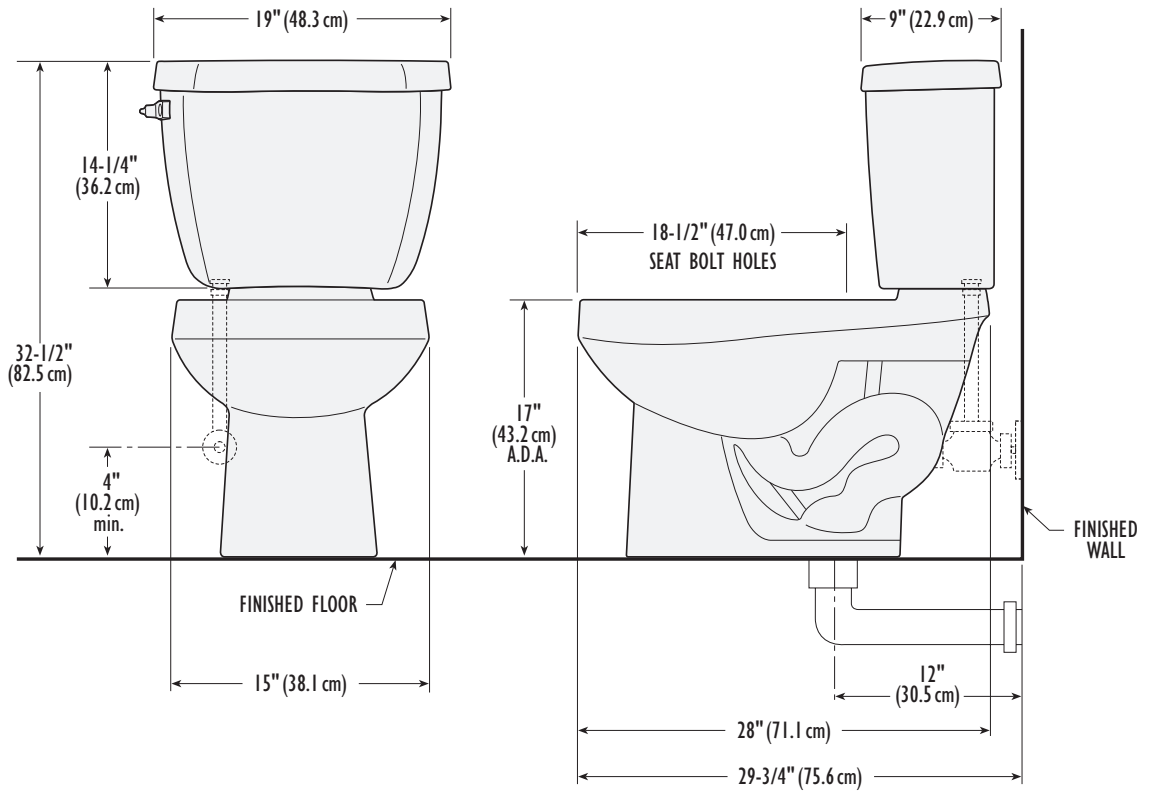
Vortens®

FORZA ADA

Model 3140-3469

DIMENSIONS

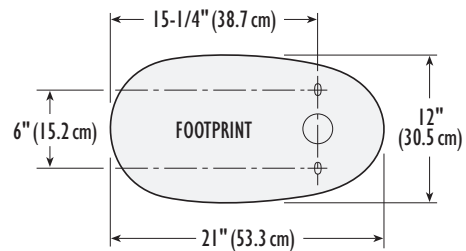
IMPORTANT: Dimensions of fixtures are nominal and may vary within the range of tolerance established by the standards ASME A112.19.2 / CSA B45.1. These measurements are subject to change or cancellation. No responsibility is assumed for use of superseded or voided pages.



SPECIFICATIONS

3140-V	Elongated Bowl	59 Lbs.
3469-V	12" Rough-In Tank	33 Lbs.
3476-V	12" Right-Hand Flush*	33 Lbs.

*Right-Hand Flush Tank comes equipped with chrome-plated all-metal flush lever.



COLORS

02: White

Other: Refer to price book for additional colors/finishes

Color number is indicated between part number and letter suffix (i.e. 3464-02-V)



U.S. CUSTOMER SERVICE
Toll Free: 866-821-2811
customerservice@vortens.com
ussales@vortens.com
www.vortens.com

CANADIAN CUSTOMER SERVICE
Toll Free: 866-363-1365
canadiansales@vortens.com
www.vortens.com



FORZA EL

Model 3137-3469



FEATURES

2-1/8" Fully Glazed Trapway –
Passes a 2" Ball

Powerful & Efficient 1.6 gpf/6.0 lpf

3" Flush Valve

Equipped with – Pilot Valve

Flushes 1,000 grams of solids

8" x 7" Water Surface

Extra-Large Footprint

5-Year Warranty on Vitreous China

3-Year Warranty on Component
and/or Accessory Parts

V-Gloss™ High-Gloss Vitreous China –
Durable, Nonporous

Bowl Shape Compatible with Bemis®
170, 200, 500 & 1800 Toilet Seats

SPECIFICATIONS

3137-V Elongated Bowl 57 Lbs.

3469-V 12" Rough-In Tank 33 Lbs.

3476-V 12" Right-Hand Flush* 33 Lbs.

*Right-Hand Flush Tank comes equipped with chrome-plated
all-metal flush lever.



Meets ASME A112.19.2 / CSA B45.1
Seat Not Included

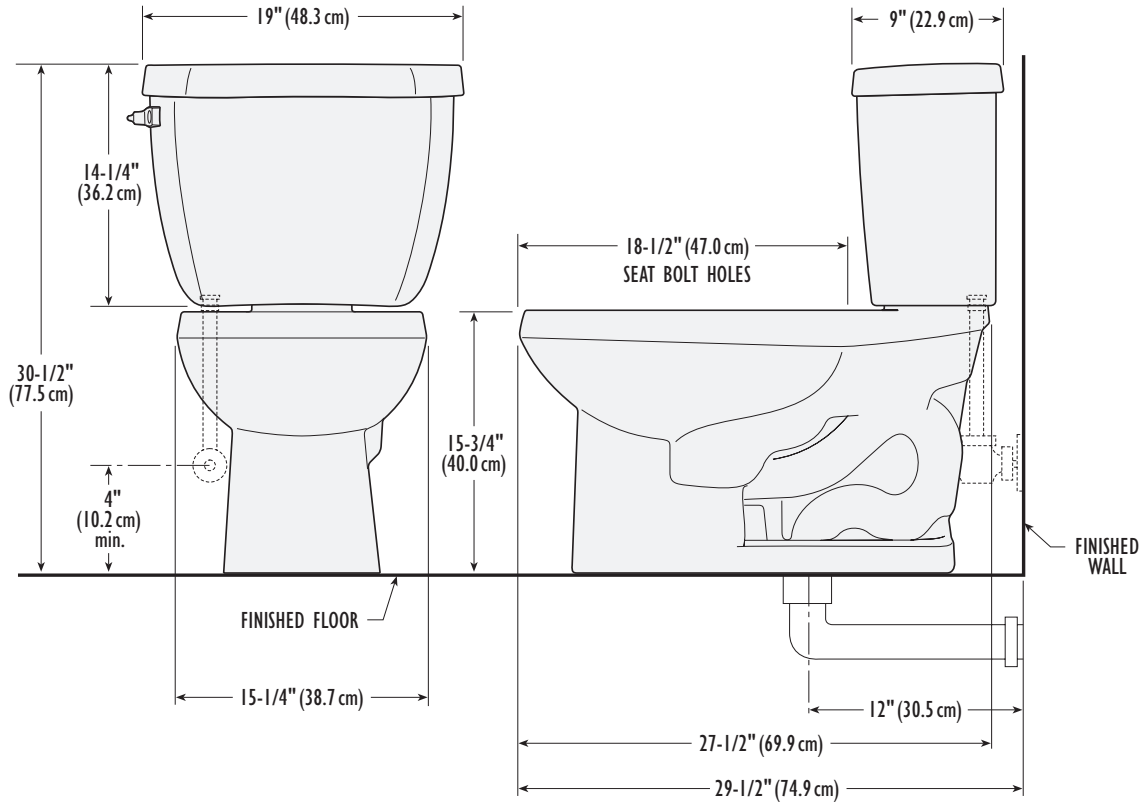
THE PROVEN LEADER
IN FLUSHING PERFORMANCE™

Vortens®


FORZA EL

Model 3137-3469

DIMENSIONS

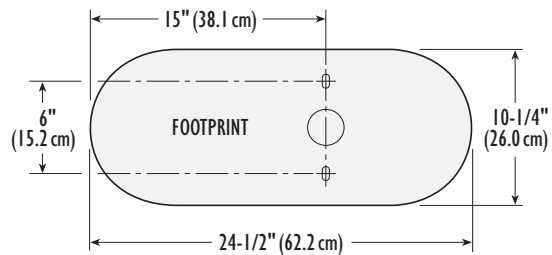


IMPORTANT: Dimensions of fixtures are nominal and may vary within the range of tolerance established by the standards ASME A112.19.2 / CSA B45.1. These measurements are subject to change or cancellation. No responsibility is assumed for use of superseded or voided pages.

SPECIFICATIONS

3137-V	Elongated Bowl	57 Lbs.
3469-V	12" Rough-In Tank	33 Lbs.
3476-V	12" Right-Hand Flush*	33 Lbs.

*Right-Hand Flush Tank comes equipped with chrome-plated all-metal flush lever.



COLORS

02: White

Other: Refer to price book for additional colors/finishes

Color number is indicated between part number and letter suffix (i.e. 3464-02-V)



U.S. CUSTOMER SERVICE
Toll Free: 866-821-2811
customerservice@vortens.com
ussales@vortens.com
www.vortens.com

CANADIAN CUSTOMER SERVICE
Toll Free: 866-363-1365
canadiansales@vortens.com
www.vortens.com



FORZA RF

Model 3213-3469



FEATURES

2-1/8" Fully Glazed Trapway – Passes a 2" Ball

Powerful & Efficient 1.6 gpf/6.0 lpf

3" Flush Valve

Equipped with – Pilot Valve

Flushes 1,000 grams of solids

8" x 7" Water Surface

Extra-Large Footprint

5-Year Warranty on Vitreous China

3-Year Warranty on Component and/or Accessory Parts

V-Gloss™ High-Gloss Vitreous China – Durable, Nonporous

Bowl Shape Compatible with Bemis® 70, 500 & 600 Toilet Seats

SPECIFICATIONS

3213-V Round Front Bowl 55 Lbs.

3469-V 12" Rough-In Tank 33 Lbs.

3476-V 12" Right-Hand Flush* 33 Lbs.

*Right-Hand Flush Tank comes equipped with chrome-plated all-metal flush lever.



Meets ASME A112.19.2 / CSA B45.1
Seat Not Included

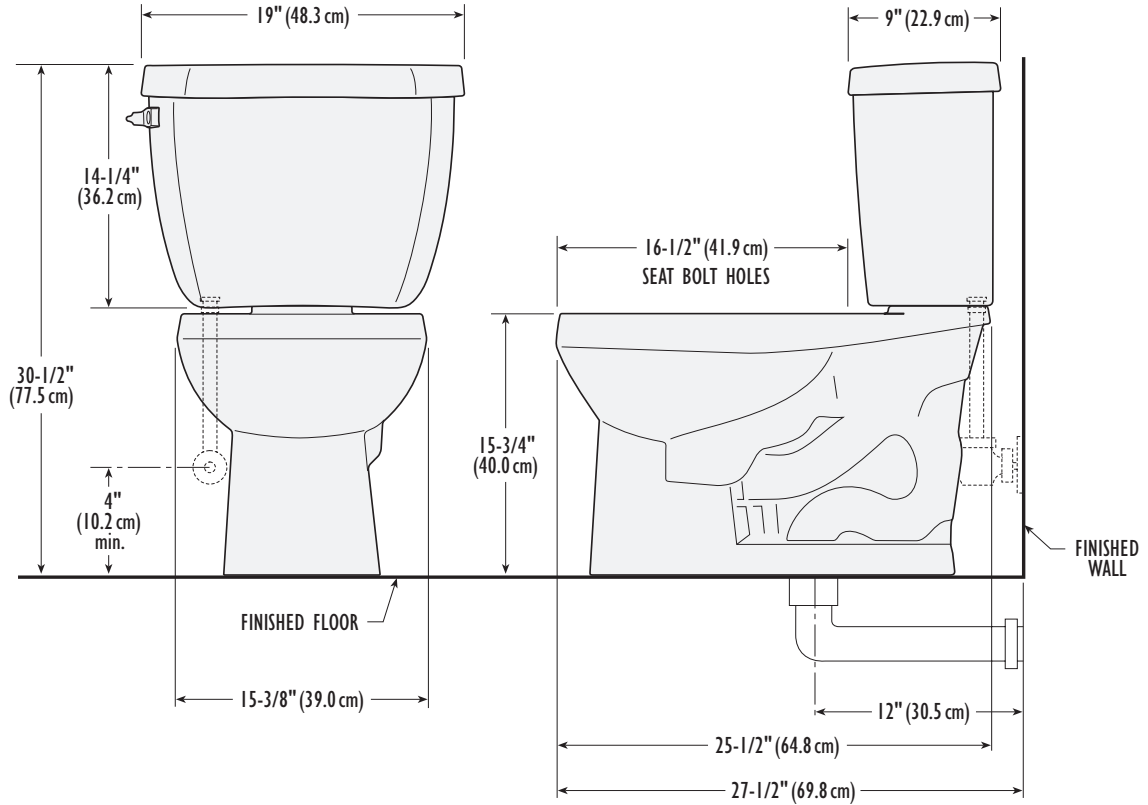
THE PROVEN LEADER
IN FLUSHING PERFORMANCE™

Vortens®

FORZA RF

Model 3213-3469

DIMENSIONS

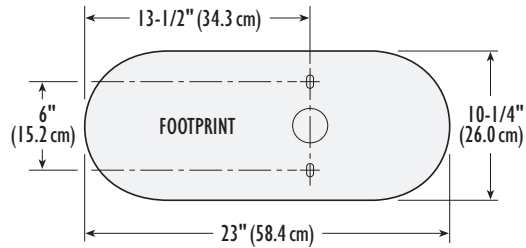


IMPORTANT: Dimensions of fixtures are nominal and may vary within the range of tolerance established by the standards ASME A112.19.2 / CSA B45.1. These measurements are subject to change or cancellation. No responsibility is assumed for use of superseded or voided pages.

SPECIFICATIONS

3213-V	Round Front Bowl	55 Lbs.
3469-V	12" Rough-In Tank	33 Lbs.
3476-V	12" Right-Hand Flush*	33 Lbs.

*Right-Hand Flush Tank comes equipped with chrome-plated all-metal flush lever.



COLORS

02: White

Other: Refer to price book for additional colors/finishes

Color number is indicated between part number and letter suffix (i.e. 3464-02-V)



U.S. CUSTOMER SERVICE
 Toll Free: 866-821-2811
 customerservice@vortens.com
 ussales@vortens.com
 www.vortens.com

CANADIAN CUSTOMER SERVICE
 Toll Free: 866-363-1365
 canadiansales@vortens.com
 www.vortens.com



VIENNA PLUS ADA

Model 3123-3412



FEATURES

2-1/8" Fully Glazed Trapway –
Passes a 2" Ball

Powerful & Efficient 1.6 gpf/6.0 lpf

Flushes 1,000 grams of solids

8" x 7" Water Surface

Extra-Large Footprint

Ideal Height™ A.D.A. Compliant –
17" High

5-Year Warranty on Vitreous China

3-Year Warranty on Component
and/or Accessory Parts

V-Gloss™ High-Gloss Vitreous China –
Durable, Nonporous

Bowl Shape Compatible with Bemis®
170, 1200, 1500 & 1800 Toilet Seats

SPECIFICATIONS

3123-V Elongated Bowl 56 Lbs.

3412-V 12" Rough-In Tank 30 Lbs.

See other side for additional options.



Meets ASME A112.19.2 / CSA B45.1
Seat Not Included

THE PROVEN LEADER
IN FLUSHING PERFORMANCE™

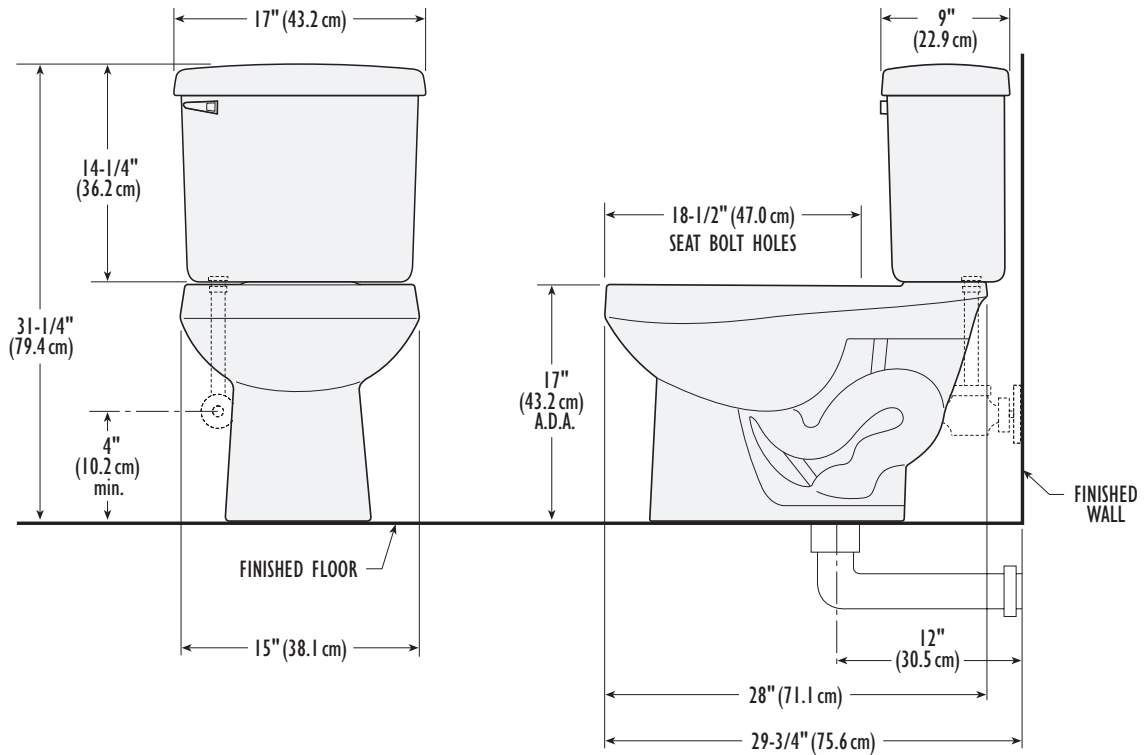
Vortens®
The Vortens logo graphic, which consists of several white, curved lines that resemble a stylized wave or a series of horizontal bars, positioned below the brand name.

VIENNA PLUS ADA

Model 3123-3412

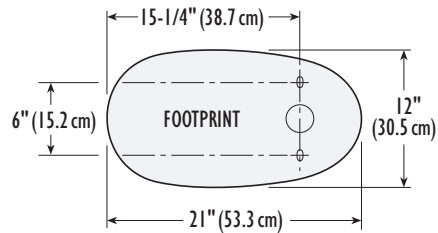
DIMENSIONS

IMPORTANT: Dimensions of fixtures are nominal and may vary within the range of tolerance established by the standards ASME A112.19.2 / CSA B45.1. These measurements are subject to change or cancellation. No responsibility is assumed for use of superseded or voided pages.



SPECIFICATIONS

3123-V	Elongated Bowl	56 Lbs.
3412-V	12" Rough-In Tank	30 Lbs.
3432-V	12" Right-Hand Flush	30 Lbs.
3430-V	10" Rough-In Tank	29 Lbs.
3431-V	14" Rough-In Tank	34 Lbs.



COLORS

02: White

Other: Refer to price book for additional colors/finishes

Color number is indicated between part number and letter suffix (i.e. 3464-02-V)



U.S. CUSTOMER SERVICE
Toll Free: 866-821-2811
customerservice@vortens.com
ussales@vortens.com
www.vortens.com

CANADIAN CUSTOMER SERVICE
Toll Free: 866-363-1365
canadiansales@vortens.com
www.vortens.com



VIENNA PLUS EL

Model 3113-3412



FEATURES

2-1/8" Fully Glazed Trapway –
Passes a 2" Ball

Powerful & Efficient 1.6 gpf/6.0 lpf

Flushes 800 grams of solids

8" x 7" Water Surface

Extra-Large Footprint

5-Year Warranty on Vitreous China

3-Year Warranty on Component
and/or Accessory Parts

V-Gloss™ High-Gloss Vitreous China –
Durable, Nonporous

Bowl Shape Compatible with Bemis®
170, 1200, 1600 & 1800 Toilet Seats

SPECIFICATIONS

3113-V Elongated Bowl 48 Lbs.

3412-V 12" Rough-In Tank 30 Lbs.

See other side for additional options.



Meets ASME A112.19.2 / CSA B45.1
Seat Not Included

THE PROVEN LEADER
IN FLUSHING PERFORMANCE™

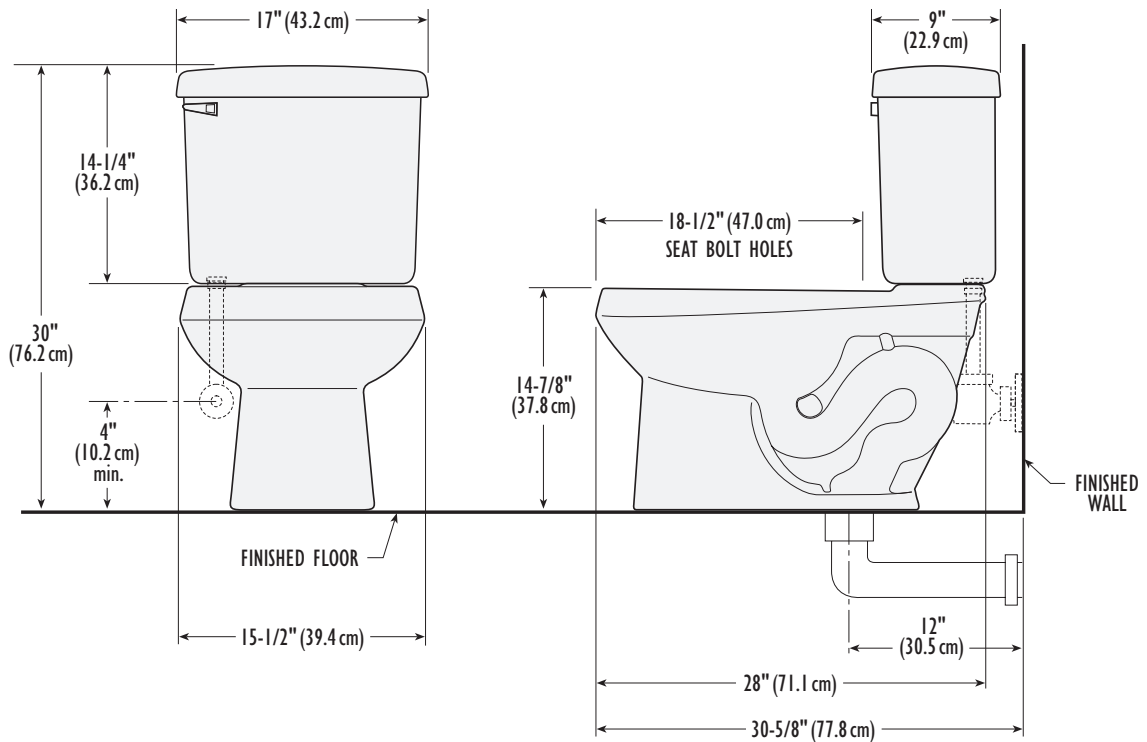
Vortens®
The Vortens logo features the brand name in a serif font, with a graphic of several curved, horizontal lines below it, suggesting motion or water flow.

VIENNA PLUS EL

Model 3113-3412

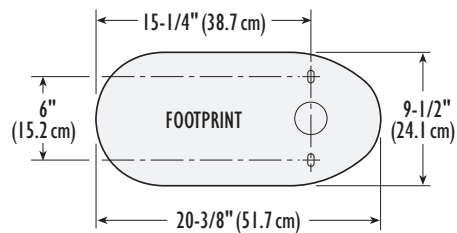
DIMENSIONS

IMPORTANT: Dimensions of fixtures are nominal and may vary within the range of tolerance established by the standards ASME A112.19.2 / CSA B45.1. These measurements are subject to change or cancellation. No responsibility is assumed for use of superseded or voided pages.



SPECIFICATIONS

3113-V	Elongated Bowl	48 Lbs.
3412-V	12" Rough-In Tank	30 Lbs.
3432-V	12" Right-Hand Flush	30 Lbs.
3430-V	10" Rough-In Tank	29 Lbs.
3431-V	14" Rough-In Tank	34 Lbs.



COLORS

02: White

Other: Refer to price book for additional colors/finishes

Color number is indicated between part number and letter suffix (i.e. 3464-02-V)



U.S. CUSTOMER SERVICE
Toll Free: 866-821-2811
customerservice@vortens.com
ussales@vortens.com
www.vortens.com

CANADIAN CUSTOMER SERVICE
Toll Free: 866-363-1365
canadiansales@vortens.com
www.vortens.com



VIENNA PLUS RF

Model 3208-3412



FEATURES

2-1/8" Fully Glazed Trapway –
Passes a 2" Ball

Powerful & Efficient 1.6 gpf/6.0 lpf

Flushes 600 grams of solids

8" x 7" Water Surface

5-Year Warranty on Vitreous China

3-Year Warranty on Component
and/or Accessory Parts

V-Gloss™ High-Gloss Vitreous China –
Durable, Nonporous

Bowl Shape Compatible with Bemis®
70, 500 & 600 Toilet Seats

SPECIFICATIONS

3208-V Round Front Bowl 41 Lbs.

3412-V 12" Rough-In Tank 30 Lbs.

See other side for additional options.



Meets ASME A112.19.2 / CSA B45.1
Seat Not Included

THE PROVEN LEADER
IN FLUSHING PERFORMANCE™

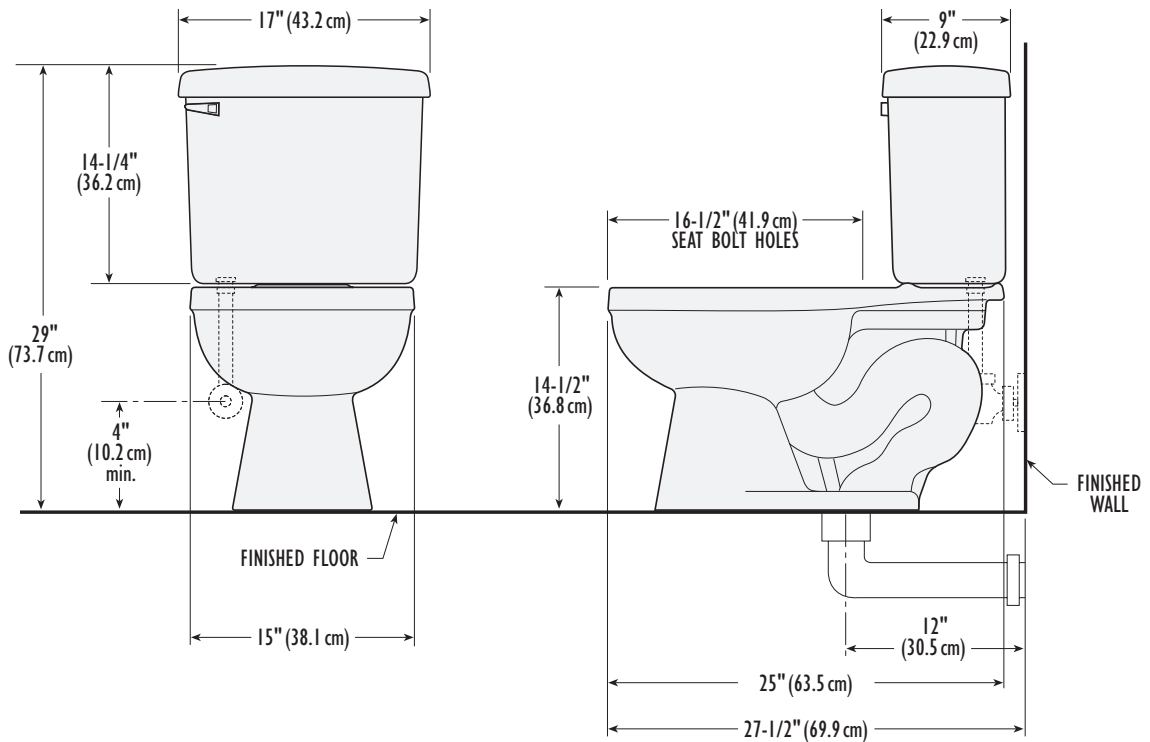
Vortens®


VIENNA PLUS RF

Model 3208-3412

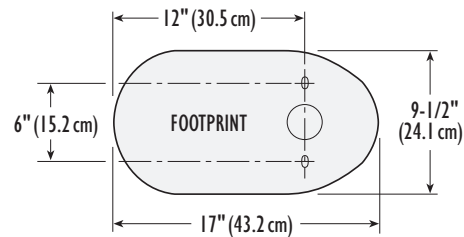
DIMENSIONS

IMPORTANT: Dimensions of fixtures are nominal and may vary within the range of tolerance established by the standards ASME A112.19.2 / CSA B45.1. These measurements are subject to change or cancellation. No responsibility is assumed for use of superseded or voided pages.



SPECIFICATIONS

3208-V	Round Front Bowl	41 Lbs.
3209-V	Round Front Large Footprint Bowl	43 Lbs.
3412-V	12" Rough-In Tank	30 Lbs.
3432-V	12" Right-Hand Flush	30 Lbs.
3430-V	10" Rough-In Tank	29 Lbs.
3431-V	14" Rough-In Tank	34 Lbs.
3412-L	12" Rough-In Insulated Tank (White LH Flush)	30 Lbs.



COLORS

02: White

Other: Refer to price book for additional colors/finishes

Color number is indicated between part number and letter suffix (i.e. 3464-02-V)



U.S. CUSTOMER SERVICE
Toll Free: 866-821-2811
customerservice@vortens.com
ussales@vortens.com
www.vortens.com

CANADIAN CUSTOMER SERVICE
Toll Free: 866-363-1365
canadiansales@vortens.com
www.vortens.com



RHODAS ADA

Model 3123-3464



FEATURES

2-1/8" Fully Glazed Trapway –
Passes a 2" Ball

Powerful & Efficient 1.6 gpf/6.0 lpf

Flushes 1,000 grams of solids

8" x 7" Water Surface

Extra-Large Footprint

Ideal Height™ A.D.A. Compliant –
17" High

5-Year Warranty on Vitreous China

1-Year Warranty on Component
and/or Accessory Parts

V-Gloss™ High-Gloss Vitreous China –
Durable, Nonporous

Bowl Shape Compatible with Bemis®
170, 1200, 1500 & 1800 Toilet Seats

SPECIFICATIONS

3123-V Elongated Bowl 56 Lbs.

3464-V 12" Rough-In Tank 34 Lbs.

See other side for additional options.



Meets ASME A112.19.2 / CSA B45.1
Seat Not Included

THE PROVEN LEADER
IN FLUSHING PERFORMANCE™

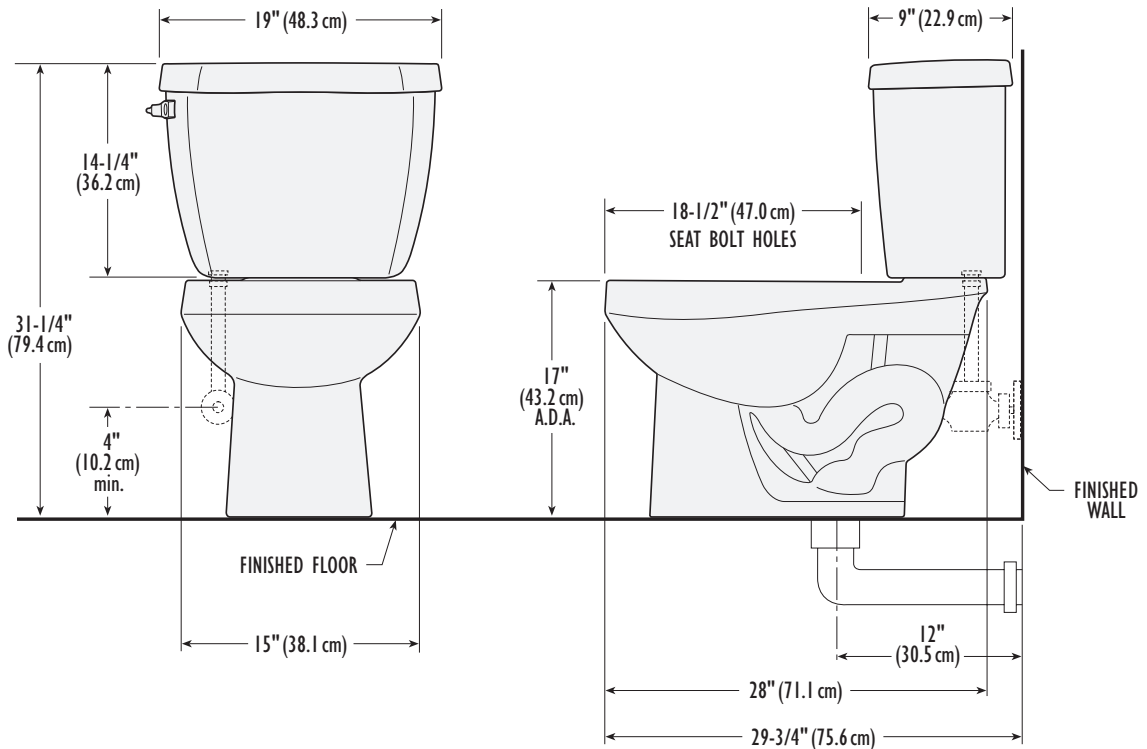
Vortens®


RHODAS ADA

Model 3123-3464

DIMENSIONS

IMPORTANT: Dimensions of fixtures are nominal and may vary within the range of tolerance established by the standards ASME A112.19.2 / CSA B45.1. These measurements are subject to change or cancellation. No responsibility is assumed for use of superseded or voided pages.



SPECIFICATIONS

3123-V	Elongated Bowl	56 Lbs.
3464-V	12" Rough-In Tank	34 Lbs.
3465-V	10" Rough-In Tank	30 Lbs.
3466-V	14" Rough-In Tank	38 Lbs.
3467-V	12" Right-Hand Flush	34 Lbs.
3464-R	12" Rough-In Tank with Pilot Valve	34 Lbs.
3464-L	12" Rough-In Insulated Tank (White LH Flush)	35 Lbs.
3464-S	12" Rough-In Insulated Tank with Pilot Valve	35 Lbs.

COLORS

02: White

Other: Refer to price book for additional colors/finishes

Color number is indicated between part number and letter suffix (i.e. 3464-02-V)



U.S. CUSTOMER SERVICE
Toll Free: 866-821-2811
customerservice@vortens.com
ussales@vortens.com
www.vortens.com

CANADIAN CUSTOMER SERVICE
Toll Free: 866-363-1365
canadiansales@vortens.com
www.vortens.com



VIENNA EL

Model 3113-3464



FEATURES

2-1/8" Fully Glazed Trapway –
Passes a 2" Ball

Powerful & Efficient 1.6 gpf/6.0 lpf

Flushes 800 grams of solids per
MaP test

8-1/2" x 7" Water Surface

5-Year Warranty on Vitreous China

1-Year Warranty on Component
and/or Accessory Parts

V-Gloss™ High-Gloss Vitreous China –
Durable, Nonporous

Bowl Shape Compatible with Bemis®
170, 1200, 1600 & 1800 Toilet Seats

SPECIFICATIONS

3113-V Elongated Bowl 48 Lbs.

3464-V 12" Rough-In Tank 34 Lbs.

See other side for additional options.

Meets ASME A112.19.2 / CSA B45.1
Seat Not Included

THE PROVEN LEADER
IN FLUSHING PERFORMANCE™

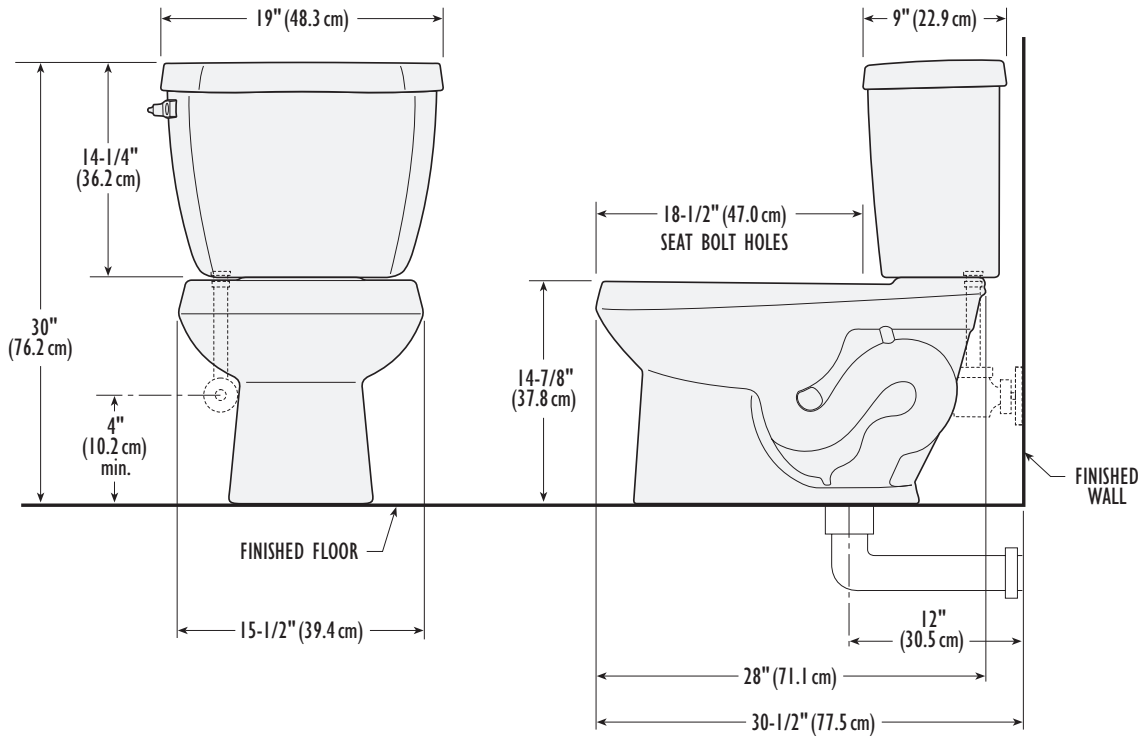


VIENNA EL

Model 3113-3464

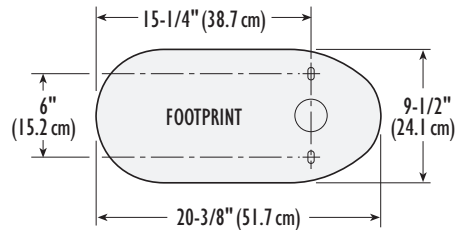
DIMENSIONS

IMPORTANT: Dimensions of fixtures are nominal and may vary within the range of tolerance established by the standards ASME A112.19.2 / CSA B45.1. These measurements are subject to change or cancellation. No responsibility is assumed for use of superseded or voided pages.



SPECIFICATIONS

3113-V	Elongated Bowl	48 Lbs.
3464-V	12" Rough-In Tank	34 Lbs.
3465-V	10" Rough-In Tank	30 Lbs.
3466-V	14" Rough-In Tank	38 Lbs.
3467-V	12" Right-Hand Flush	34 Lbs.
3464-R	12" Rough-In Tank with Pilot Valve	34 Lbs.
3464-L	12" Rough-In Insulated Tank (White LH Flush)	35 Lbs.
3464-S	12" Rough-In Insulated Tank with Pilot Valve	35 Lbs.



COLORS

02: White

Other: Refer to price book for additional colors/finishes

Color number is indicated between part number and letter suffix (i.e. 3464-02-V)



U.S. CUSTOMER SERVICE
Toll Free: 866-821-2811
customerservice@vortens.com
ussales@vortens.com
www.vortens.com

CANADIAN CUSTOMER SERVICE
Toll Free: 866-363-1365
canadiansales@vortens.com
www.vortens.com



VIENNA RF

Model 3208-3464



FEATURES

2-1/8" Fully Glazed Trapway –
Passes a 2" Ball

Powerful & Efficient 1.6 gpf/6.0 lpf

Flushes 600 grams of solids per
MaP test

8" x 7" Water Surface

5-Year Warranty on Vitreous China

1-Year Warranty on Component
and/or Accessory Parts

V-Gloss™ High-Gloss Vitreous China –
Durable, Nonporous

Bowl Shape Compatible with Bemis®
70, 500 & 600 Toilet Seats

SPECIFICATIONS

3208-V Round Front Bowl 41 Lbs.

3464-V 12" Rough-In Tank 34 Lbs.

See other side for additional options.

Meets ASME A112.19.2 / CSA B45.1
Seat Not Included

THE PROVEN LEADER
IN FLUSHING PERFORMANCE™

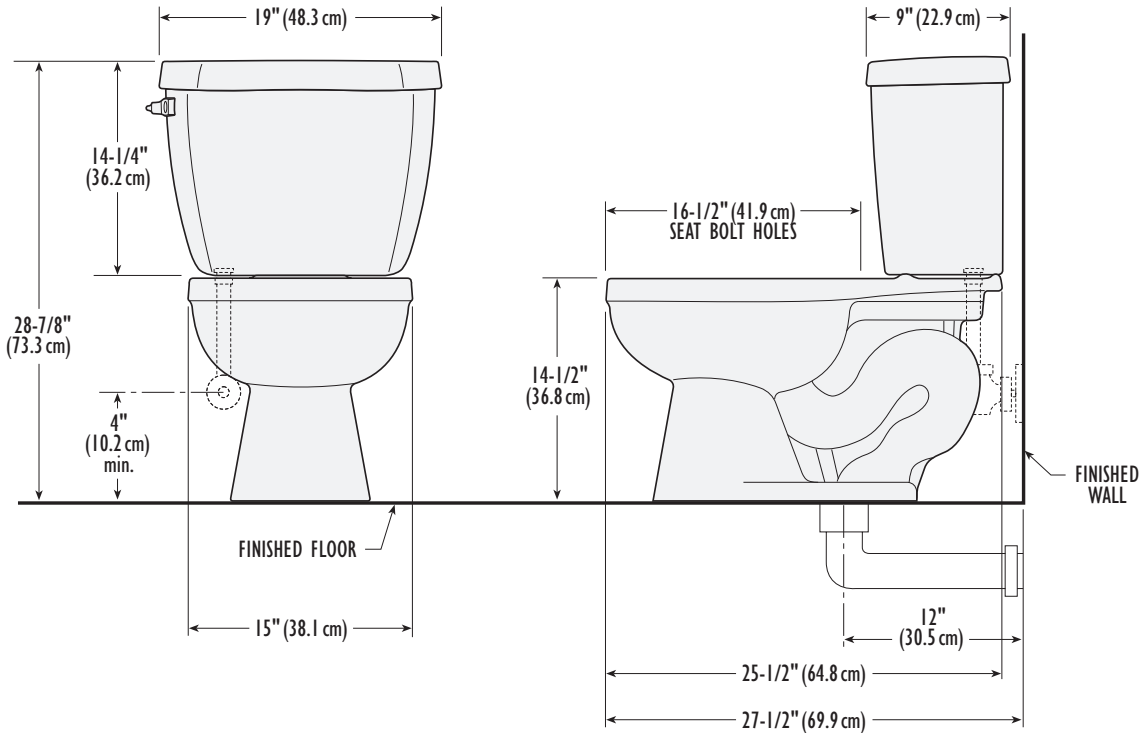


VIENNA RF

Model 3208-3464

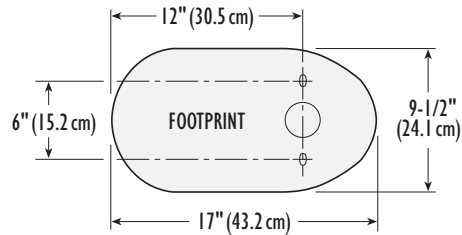
DIMENSIONS

IMPORTANT: Dimensions of fixtures are nominal and may vary within the range of tolerance established by the standards ASME A112.19.2 / CSA B45.1. These measurements are subject to change or cancellation. No responsibility is assumed for use of superseded or voided pages.



SPECIFICATIONS

3208-V	Round Front Bowl	41 Lbs.
3209-V	Round Front Large Footprint Bowl	43 Lbs.
3464-V	12" Rough-In Tank	34 Lbs.
3465-V	10" Rough-In Tank	30 Lbs.
3466-V	14" Rough-In Tank	38 Lbs.
3467-V	12" Right-Hand Flush	34 Lbs.
3464-R	12" Rough-In Tank with Pilot Valve	34 Lbs.
3464-VS	12" Rough-In Tank SPS Compliant	34 lbs.
3464-L	12" Rough-In Insulated Tank (White LH Flush)	35 lbs.
3464-S	12" Rough-In Insulated Tank w/ Pilot Valve	35 lbs.
3464-LS	12" Rough-In Insulated Tank SPS Compliant	35 lbs.



COLORS

02: White

Other: Refer to price book for additional colors/finishes

Color number is indicated between part number and letter suffix (i.e. 3464-02-V)



U.S. CUSTOMER SERVICE
 Toll Free: 866-821-2811
customerservice@vortens.com
ussales@vortens.com
www.vortens.com

CANADIAN CUSTOMER SERVICE
 Toll Free: 866-363-1365
canadiansales@vortens.com
www.vortens.com



REGENCY EL

Model 3104-3451



FEATURES

2-1/8" Fully Glazed Trapway –
Passes a 2" Ball

Powerful & Efficient 1.6 gpf/6.0 lpf

Equipped with – Pilot Valve

Flushes 500 grams of solids

Victorian Style with Side-Mounted,
Chrome-Plated Metal Flush Lever

Part of the Regency Suite

9" x 8-1/2" Water Surface

5-Year Warranty on Vitreous China

3-Year Warranty on Component
and/or Accessory Parts

V-Gloss™ High-Gloss Vitreous China –
Durable, Nonporous

Bowl Shape Compatible with Bemis®
170, 1200, 1600 & 1800 Toilet Seats

SPECIFICATIONS

3104-V Elongated Bowl 52 Lbs.

3451-V 12" Rough-In Tank 35 Lbs.



Meets ASME A112.19.2 / CSA B45.1
Seat Not Included

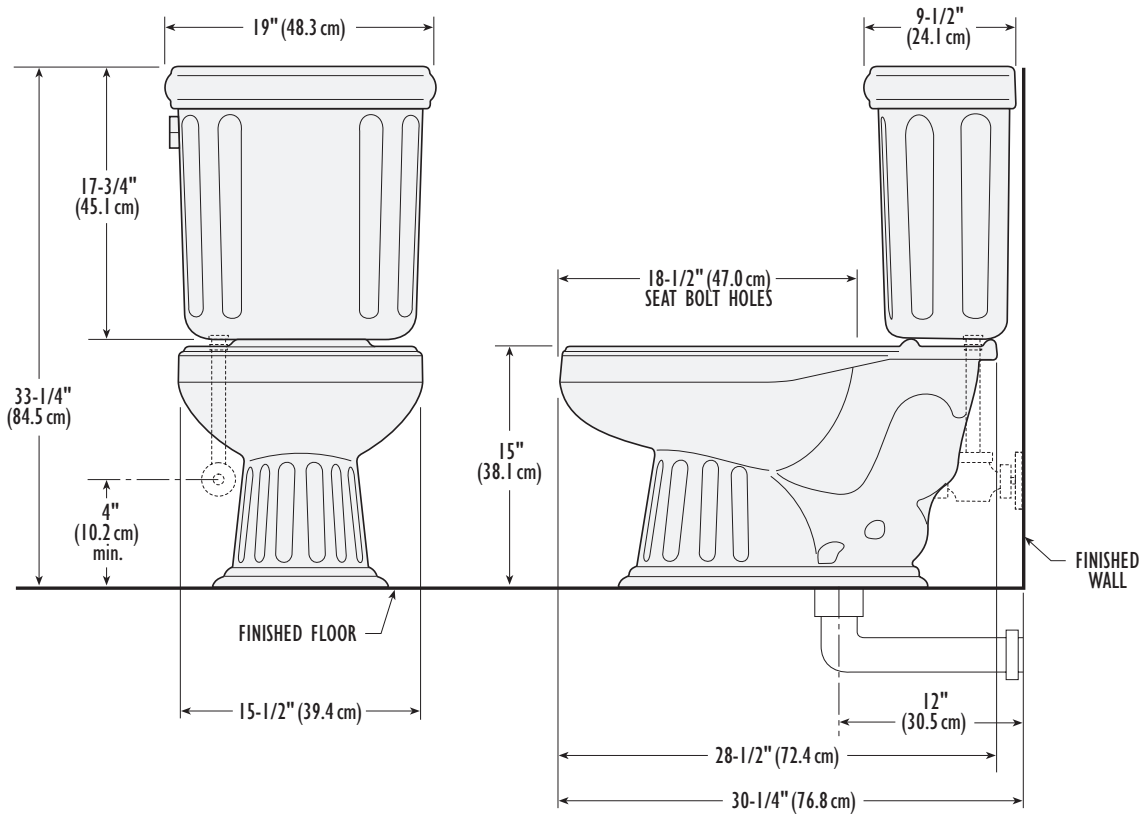
THE PROVEN LEADER
IN FLUSHING PERFORMANCE™

Vortens®


REGENCY EL

Model 3104-3451

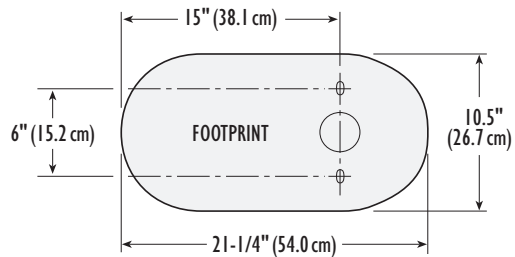
DIMENSIONS



IMPORTANT: Dimensions of fixtures are nominal and may vary within the range of tolerance established by the standards ASME A112.19.2 / CSA B45.1. These measurements are subject to change or cancellation. No responsibility is assumed for use of superseded or voided pages.

SPECIFICATIONS

3104-V	Elongated Bowl	52 Lbs.
3451-V	12" Rough-In Tank	35 Lbs.



COLORS

02: White

Other: Refer to price book for additional colors/finishes

Color number is indicated between part number and letter suffix (i.e. 3464-02-V)



U.S. CUSTOMER SERVICE
Toll Free: 866-821-2811
customerservice@vortens.com
ussales@vortens.com
www.vortens.com

CANADIAN CUSTOMER SERVICE
Toll Free: 866-363-1365
canadiansales@vortens.com
www.vortens.com



REGENCY RF

Model 3102-3450



FEATURES

2-1/8" Fully Glazed Trapway –
Passes a 2" Ball

Powerful & Efficient 1.6 gpf/6.0 lpf

Equipped with – Pilot Valve

Flushes 500 grams of solids

Victorian Style with Side-Mounted,
Chrome-Plated Metal Flush Lever

Part of the Regency Suite

10" x 8" Water Surface

5-Year Warranty on Vitreous China

3-Year Warranty on Component
and/or Accessory Parts

V-Gloss™ High-Gloss Vitreous China –
Durable, Nonporous

Bowl Shape Compatible with Bemis®
170, 500 & 600 Toilet Seats

SPECIFICATIONS

3102-V	Round Front Bowl	45 Lbs.
3450-V	12" Rough-In Tank	37 Lbs.
3450-L	12" Rough-In Insulated Tank	38 Lbs.



Meets ASME A112.19.2 / CSA B45.1
Seat Not Included

THE PROVEN LEADER
IN FLUSHING PERFORMANCE™

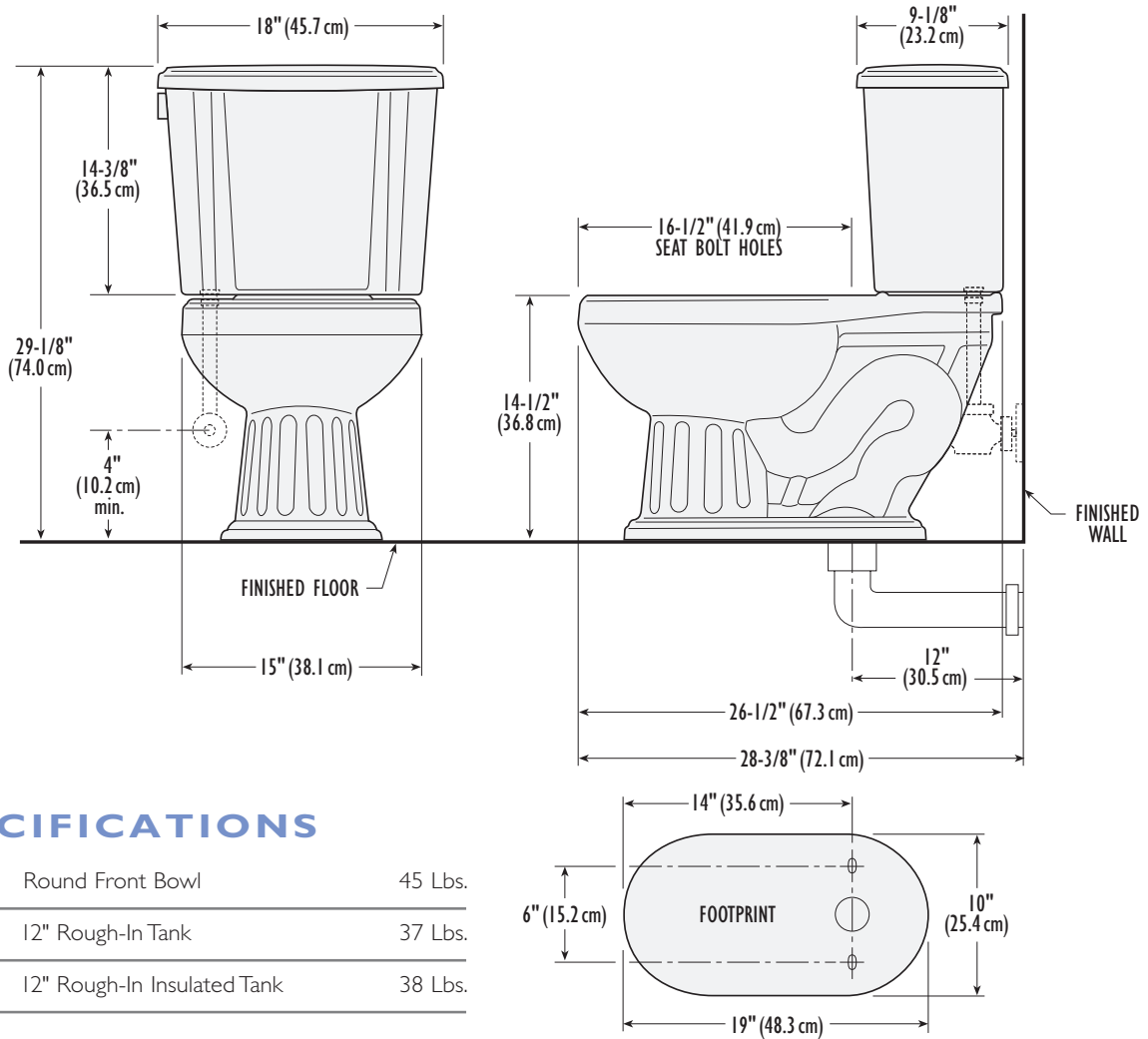
Vortens®

REGENCY RF

Model 3102-3450

DIMENSIONS

IMPORTANT: Dimensions of fixtures are nominal and may vary within the range of tolerance established by the standards ASME A112.19.2 / CSA B45.1. These measurements are subject to change or cancellation. No responsibility is assumed for use of superseded or voided pages.



SPECIFICATIONS

3102-V	Round Front Bowl	45 Lbs.
3450-V	12" Rough-In Tank	37 Lbs.
3450-L	12" Rough-In Insulated Tank	38 Lbs.

COLORS

02: White

Other: Refer to price book for additional colors/finishes

Color number is indicated between part number and letter suffix (i.e. 3464-02-V)



U.S. CUSTOMER SERVICE
Toll Free: 866-821-2811
customerservice@vortens.com
ussales@vortens.com
www.vortens.com

CANADIAN CUSTOMER SERVICE
Toll Free: 866-363-1365
canadiansales@vortens.com
www.vortens.com



GENOVA EL

Model 3121-3421



FEATURES

2-1/8" Fully Glazed Trapway – Passes a 2" Ball

Powerful & Efficient 1.6 gpf/6.0 lpf

Equipped with – Pilot Valve

Flushes 500 grams of solids

Contemporary Style with Side-Mounted, Chrome-Plated Metal Flush Lever

Part of the Genova Suite

9" x 8" Water Surface

5-Year Warranty on Vitreous China

3-Year Warranty on Component and/or Accessory Parts

V-Gloss™ High-Gloss Vitreous China – Durable, Nonporous

Bowl Shape Compatible with Bemis® 170, 1200, 1600 & 1800 Toilet Seats

SPECIFICATIONS

3121-V Elongated Bowl 50 Lbs.

3421-V 12" Rough-In Tank 33 Lbs.



Meets ASME A112.19.2 / CSA B45.1
Seat Not Included

THE PROVEN LEADER
IN FLUSHING PERFORMANCE™

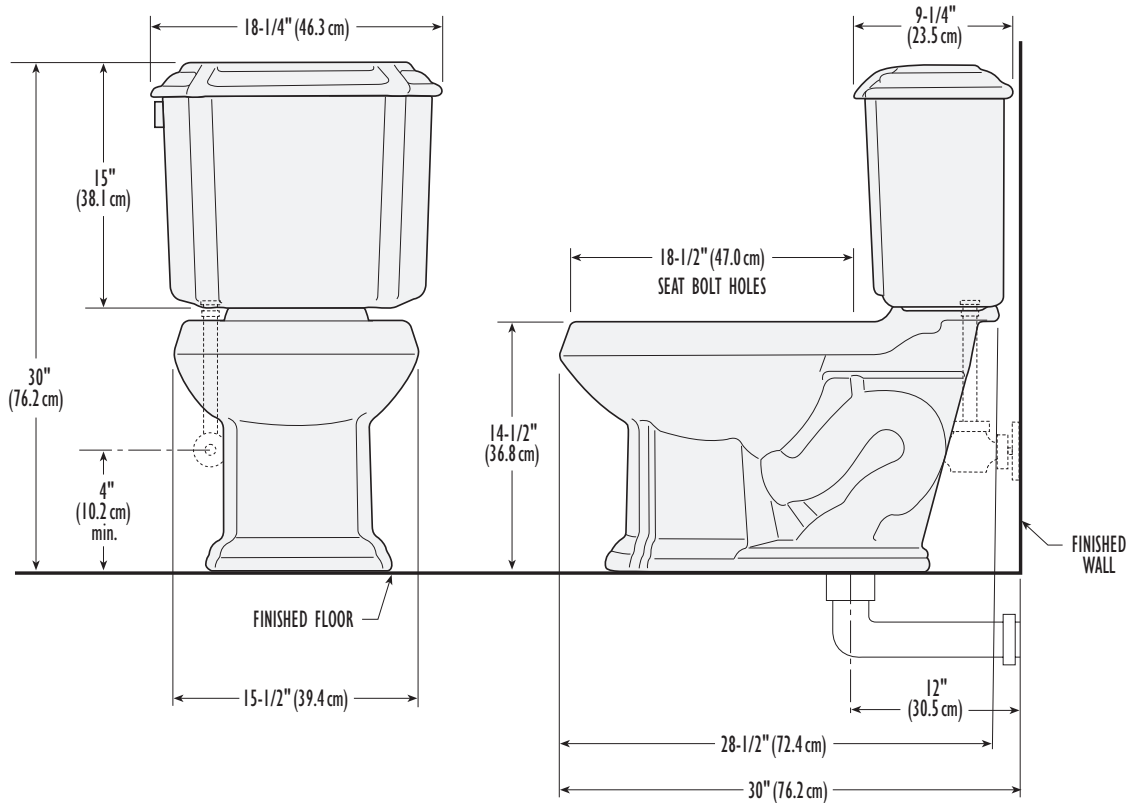
Vortens®
ONLY THE BEST INSIDE™

GENOVA EL

Model 3121-3421

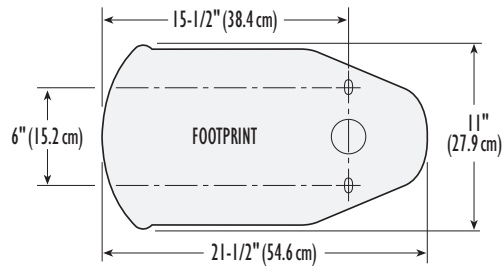
DIMENSIONS

IMPORTANT: Dimensions of fixtures are nominal and may vary within the range of tolerance established by the standards ASME A112.19.2 / CSA B45.1. These measurements are subject to change or cancellation. No responsibility is assumed for use of superseded or voided pages.



SPECIFICATIONS

3121-V	Elongated Bowl	50 Lbs.
3421-V	12" Rough-In Tank	33 Lbs.



COLORS

02: White

Other: Refer to price book for additional colors/finishes

Color number is indicated between part number and letter suffix (i.e. 3464-02-V)



U.S. CUSTOMER SERVICE
Toll Free: 866-821-2811
customerservice@vortens.com
ussales@vortens.com
www.vortens.com

CANADIAN CUSTOMER SERVICE
Toll Free: 866-363-1365
canadiansales@vortens.com
www.vortens.com



VELEZZA EL

Model 3106-3416



FEATURES

2-1/8" Fully Glazed Trapway –
Passes a 2" Ball

Powerful & Efficient 1.6 gpf/6.0 lpf

Equipped with – Pilot Valve

Flushes 600 grams of solids

Skirted Bowl with Concealed Trap
for Easy Cleaning

Side-Mounted, Chrome-Plated
Metal Flush Lever

9-1/2" x 8" Water Surface

Part of the Velezza Suite

5-Year Warranty on Vitreous China

1-Year Warranty on Component
and/or Accessory Parts

V-Gloss™ High-Gloss Vitreous China –
Durable, Nonporous

Bowl Shape Compatible with Bemis®
I240205 Toilet Seat

SPECIFICATIONS

3106-V Elongated Bowl 76 Lbs.

3416-V 12" Rough-In Tank 35 Lbs.

Meets ASME A112.19.2 / CSA B45.1
Seat Not Included

THE PROVEN LEADER
IN FLUSHING PERFORMANCE™

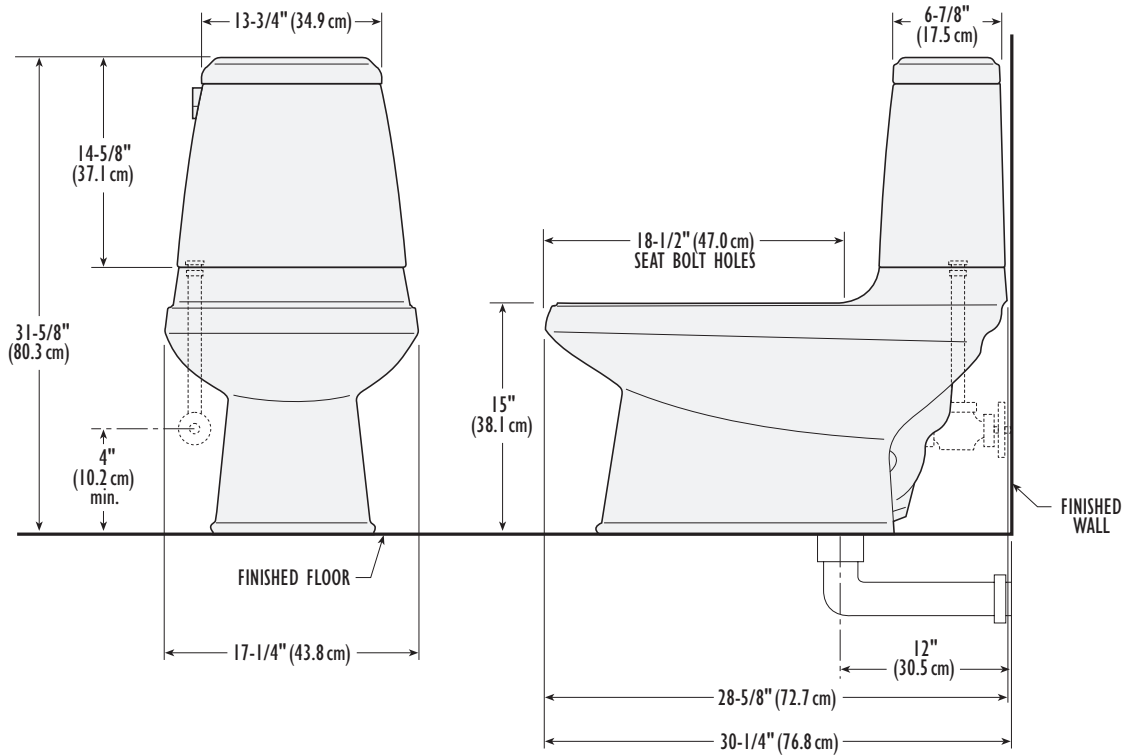


VELEZZA EL

Model 3106-3416

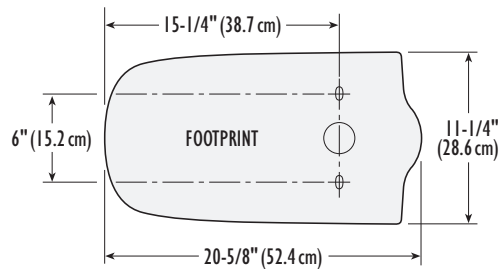
DIMENSIONS

IMPORTANT: Dimensions of fixtures are nominal and may vary within the range of tolerance established by the standards ASME A112.19.2 / CSA B45.1. These measurements are subject to change or cancellation. No responsibility is assumed for use of superseded or voided pages.



SPECIFICATIONS

3106-V	Elongated Bowl	76 Lbs.
3416-V	12" Rough-In Tank	35 Lbs.



COLORS

02: White

Other: Refer to price book for additional colors/finishes

Color number is indicated between part number and letter suffix (i.e. 3464-02-V)



U.S. CUSTOMER SERVICE
Toll Free: 866-821-2811
customerservice@vortens.com
ussales@vortens.com
www.vortens.com

CANADIAN CUSTOMER SERVICE
Toll Free: 866-363-1365
canadiansales@vortens.com
www.vortens.com



PALERMO EL

Model 3126



FEATURES

2-1/8" Fully Glazed Trapway –
Passes a 2" Ball

Powerful & Efficient 1.6 gpf/6.0 lpf

Equipped with – Pilot Valve

Flushes 600 grams of solids

Skirted Bowl with Concealed Trap
for Easy Cleaning

Side-Mounted, Chrome-Plated
Metal Flush Lever

Slow-Close Toilet Seat Included

9-1/2" x 8" Water Surface

5-Year Warranty on Vitreous China

3-Year Warranty on Component
and/or Accessory Parts

V-Gloss™ High-Gloss Vitreous China –
Durable, Nonporous

Bowl Shape Compatible with Bemis®
I240205 Toilet Seat

SPECIFICATIONS

3126-V	One-Piece Elongated Toilet	110 Lbs.
--------	-------------------------------	----------

Meets ASME A112.19.2 / CSA B45.1
Seat Not Included

THE PROVEN LEADER
IN FLUSHING PERFORMANCE™

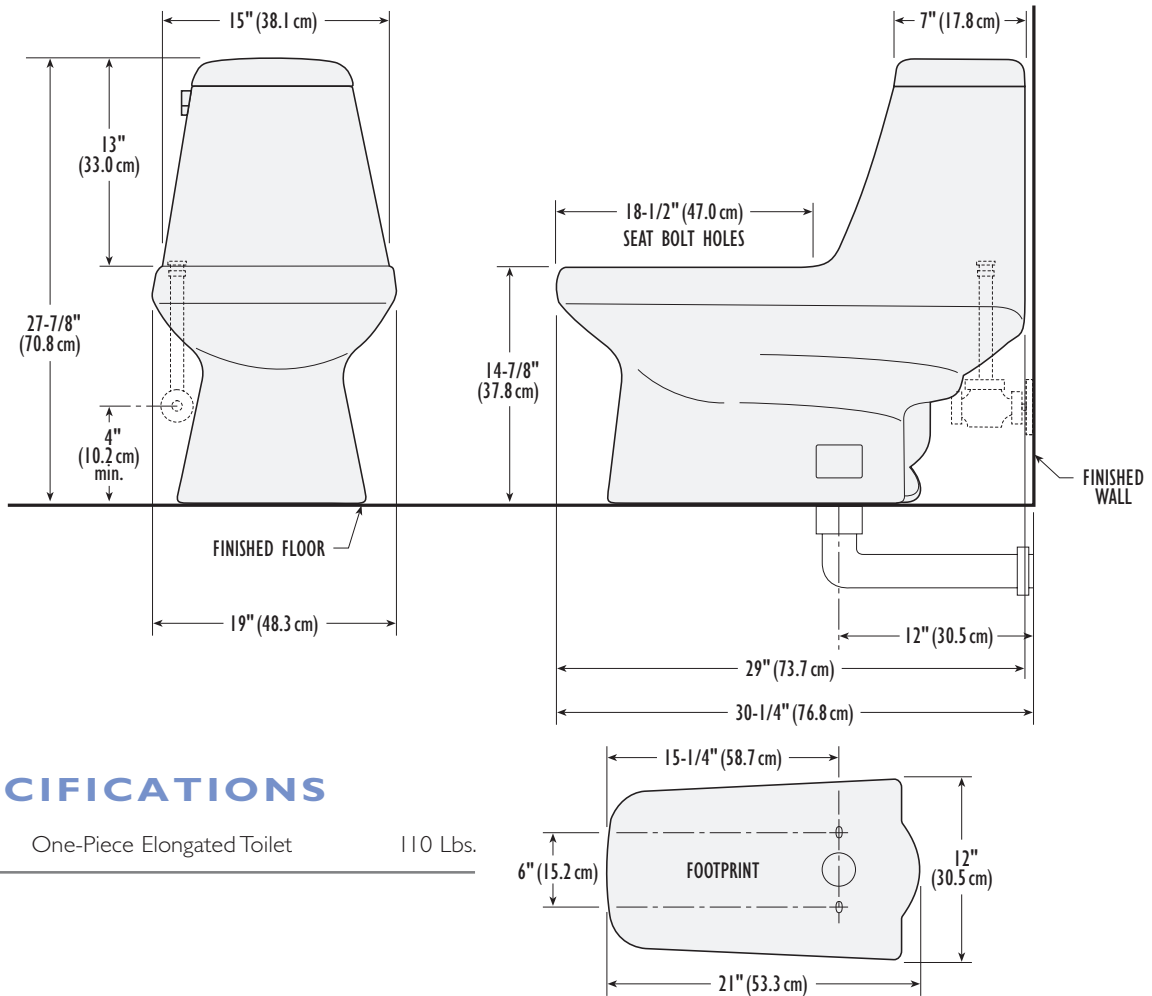
Vortens®


PALERMO EL

Model 3126

DIMENSIONS

IMPORTANT: Dimensions of fixtures are nominal and may vary within the range of tolerance established by the standards ASME A112.19.2 / CSA B45.1. These measurements are subject to change or cancellation. No responsibility is assumed for use of superseded or voided pages.



SPECIFICATIONS

3126-V One-Piece Elongated Toilet 110 Lbs.

COLORS

02: White

Other: Refer to price book for additional colors/finishes

Color number is indicated between part number and letter suffix (i.e. 3464-02-V)



U.S. CUSTOMER SERVICE
Toll Free: 866-821-2811
customerservice@vortens.com
ussales@vortens.com
www.vortens.com

CANADIAN CUSTOMER SERVICE
Toll Free: 866-363-1365
canadiansales@vortens.com
www.vortens.com



Vortens®

ALL PERFORMANCE.
NO PROBLEMS.



THE PROVEN LEADER
IN FLUSHING PERFORMANCE™

SUITES

MANCHESTER SUITE

Toilet 3107-3427

Lavatory 3327-3307



With the two-button Dual-Flush System control you can select a powerful, efficient 1.6 gpf/6.0 lpf flush for solid waste or a 1.1 gpf/4.0 lpf for liquid waste.

FEATURES

2-1/8" Fully Glazed Trapway

Dual-Flush, High-Efficiency Toilet (HET) with Powerful 1.6 gpf/6.0 lpf Flush and 1.1 gpf/4.0 lpf Flush

Equipped with – Pilot Valve

Flushes 600 grams of solids

Classic design with metal push button on top of tank

Ideal Height™ – 17" High

Hidden Front Overflow Lavatory

Contemporary-Style Lavatory

5-Year Warranty on Vitreous China

3-Year Warranty on Component and/or Accessory Parts

V-Gloss™ High-Gloss Vitreous China – Durable, Nonporous

SPECIFICATIONS

3107-V	Elongated Bowl	66 Lbs.
3427-V	12" Rough-In Dual-Flush Tank	32 Lbs.
3327-V	8" Basin	43 Lbs.
3307-V	Pedestal	29 Lbs.

Meets ASME A112.19.2 / CSA B45.1
Seat and Faucet Not Included

THE PROVEN LEADER
IN FLUSHING PERFORMANCE™

Vortens®

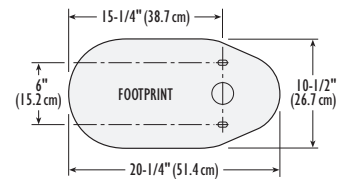
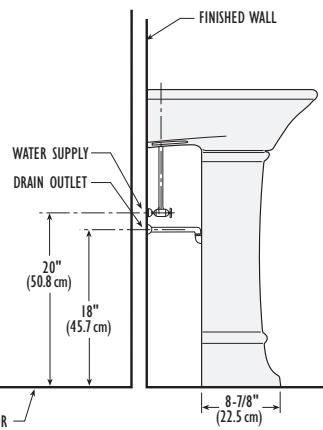
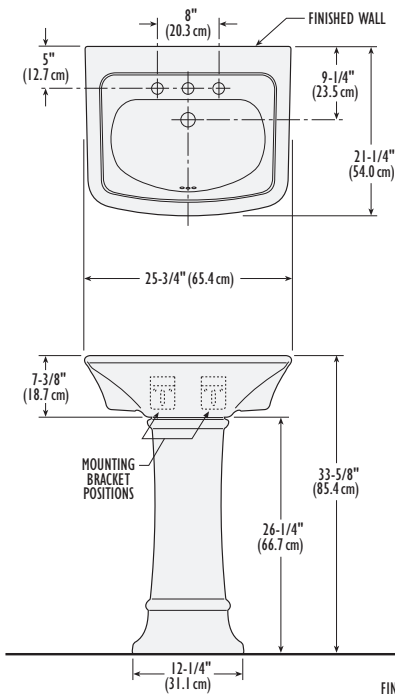
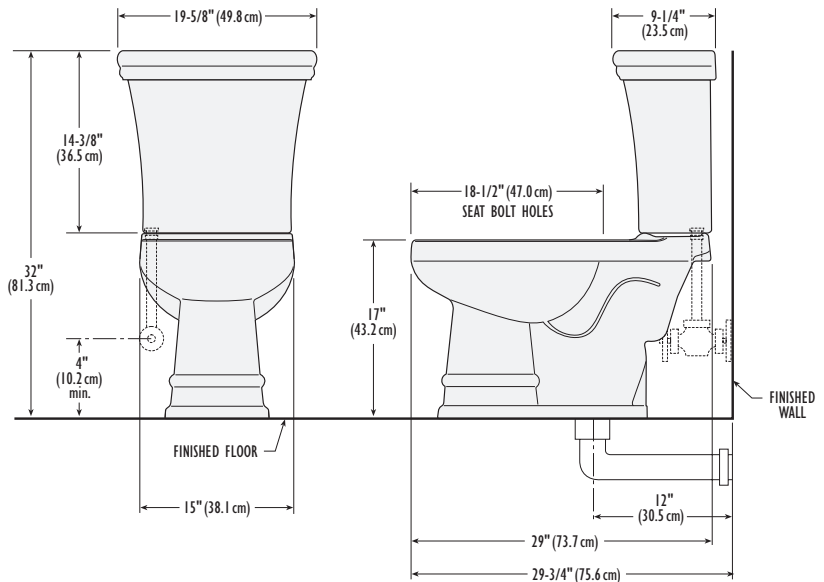
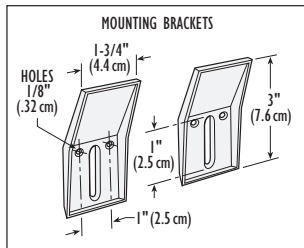
MANCHESTER SUITE

Toilet 3107-3427

Lavatory 3327-3307

DIMENSIONS

IMPORTANT: Dimensions of fixtures are nominal and may vary within the range of tolerance established by the standards ASME A112.19.2 / CSA B45.1. These measurements are subject to change or cancellation. No responsibility is assumed for use of superseded or voided pages.



SPECIFICATIONS

3107-V	Elongated Bowl	66 Lbs.
3427-V	12" Rough-In Dual-Flush Tank	32 Lbs.
3327-V	8" Basin	43 Lbs.
3307-V	Pedestal	29 Lbs.

COLORS

02: White

Other: Refer to price book for additional colors/finishes

Color number is indicated between part number and letter suffix (i.e. 3464-02-V)



U.S. CUSTOMER SERVICE
Toll Free: 866-821-2811
customerservice@vortens.com
ussales@vortens.com
www.vortens.com

CANADIAN CUSTOMER SERVICE
Toll Free: 866-363-1365
canadiansales@vortens.com
www.vortens.com



REGENCY EL SUITE

Toilet 3104-3451

Lavatory 3504-3514



FEATURES

2-1/8" Fully Glazed Trapway –
Passes a 2" Ball

Powerful & Efficient 1.6 gpf/6.0 lpf

Equipped with – Pilot Valve

Flushes 500 grams of solids

Victorian Style with Side-Mounted,
Chrome-Plated Metal Flush Lever

9" x 8-1/2" Water Surface

Hidden Front Overflow Lavatory

Victorian-Style Lavatory

5-Year Warranty on Vitreous China

3-Year Warranty on Component
and/or Accessory Parts

V-Gloss™ High-Gloss Vitreous China –
Durable, Nonporous

SPECIFICATIONS

3104-V	Elongated Bowl	52 Lbs.
3451-V	12" Rough-In Tank	35 Lbs.
3504-V	4" Basin	48 Lbs.
3514-V	Pedestal	29 Lbs.

See other side for additional options.



Meets ASME A112.19.2 / CSA B45.1
Seat and Faucet Not Included

THE PROVEN LEADER
IN FLUSHING PERFORMANCE™

Vortens®

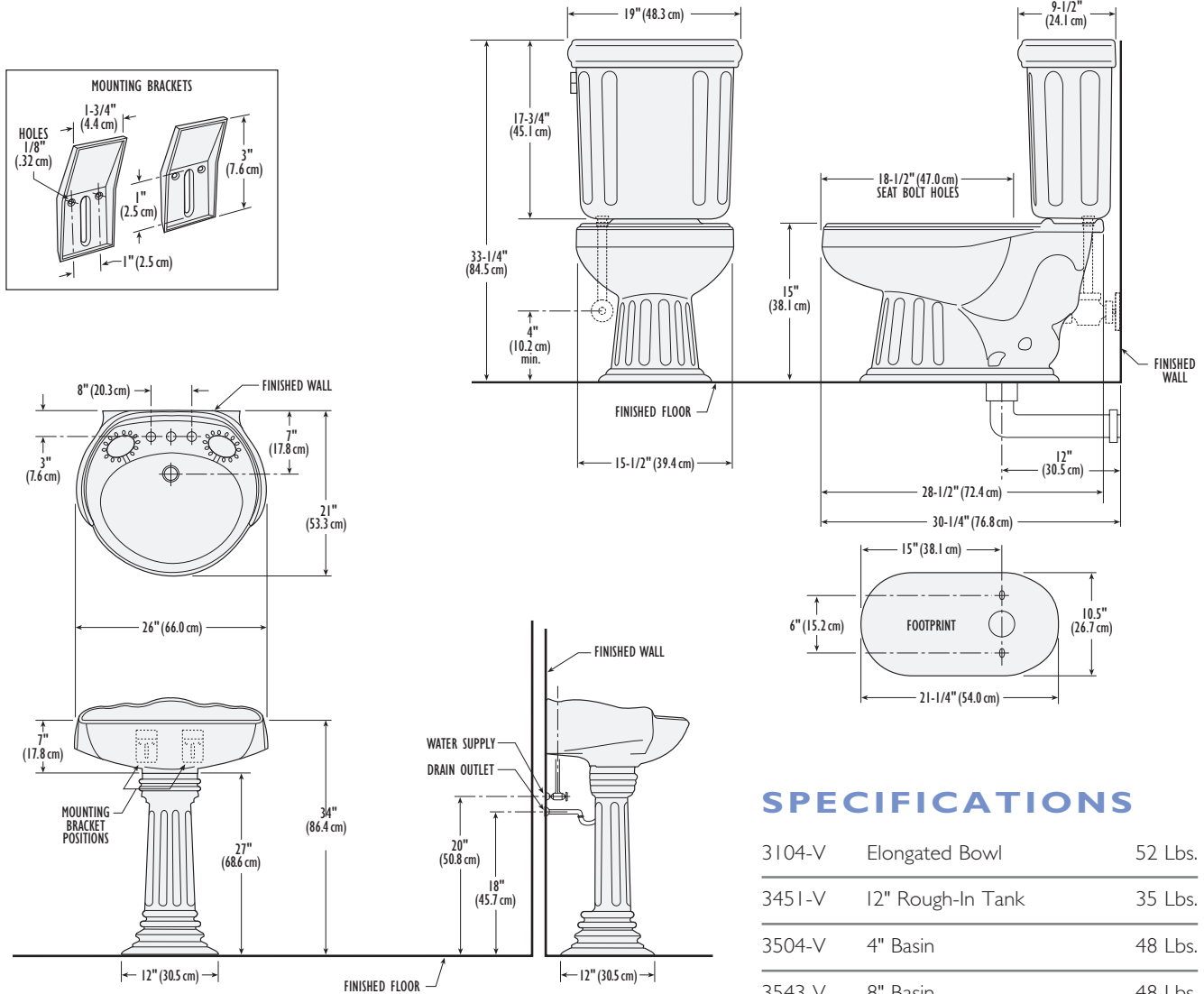
REGENCY EL SUITE

Toilet 3104-3451

Lavatory 3504-3514

DIMENSIONS

IMPORTANT: Dimensions of fixtures are nominal and may vary within the range of tolerance established by the standards ASME A112.19.2 / CSA B45.1. These measurements are subject to change or cancellation. No responsibility is assumed for use of superseded or voided pages.



SPECIFICATIONS

3104-V	Elongated Bowl	52 Lbs.
3451-V	12" Rough-In Tank	35 Lbs.
3504-V	4" Basin	48 Lbs.
3543-V	8" Basin	48 Lbs.
3544-V	Single Hole Basin	48 Lbs.
3514-V	Pedestal	29 Lbs.

COLORS

02: White

Other: Refer to price book for additional colors/finishes

Color number is indicated between part number and letter suffix (i.e. 3464-02-V)



U.S. CUSTOMER SERVICE
Toll Free: 866-821-2811
customerservice@vortens.com
ussales@vortens.com
www.vortens.com

CANADIAN CUSTOMER SERVICE
Toll Free: 866-363-1365
canadiansales@vortens.com
www.vortens.com



REGENCY RF SUITE

Toilet 3102-3450

Lavatory 3504-3514



FEATURES

2-1/8" Fully Glazed Trapway –
Passes a 2" Ball

Powerful & Efficient 1.6 gpf/6.0 lpf

Equipped with – Pilot Valve

Flushes 500 grams of solids

Victorian Style with Side-Mounted,
Chrome-Plated Metal Flush Lever

10" x 8" Water Surface

Hidden Front Overflow Lavatory

Victorian-Style Lavatory

5-Year Warranty on Vitreous China

3-Year Warranty on Component
and/or Accessory Parts

V-Gloss™ High-Gloss Vitreous China –
Durable, Nonporous

SPECIFICATIONS

3102-V	Round Front Bowl	45 Lbs.
3450-V	12" Rough-In Tank	37 Lbs.
3504-V	4" Basin	48 Lbs.
3514-V	Pedestal	29 Lbs.

See other side for additional options.



Meets ASME A112.19.2 / CSA B45.1
Seat and Faucet Not Included

THE PROVEN LEADER
IN FLUSHING PERFORMANCE™

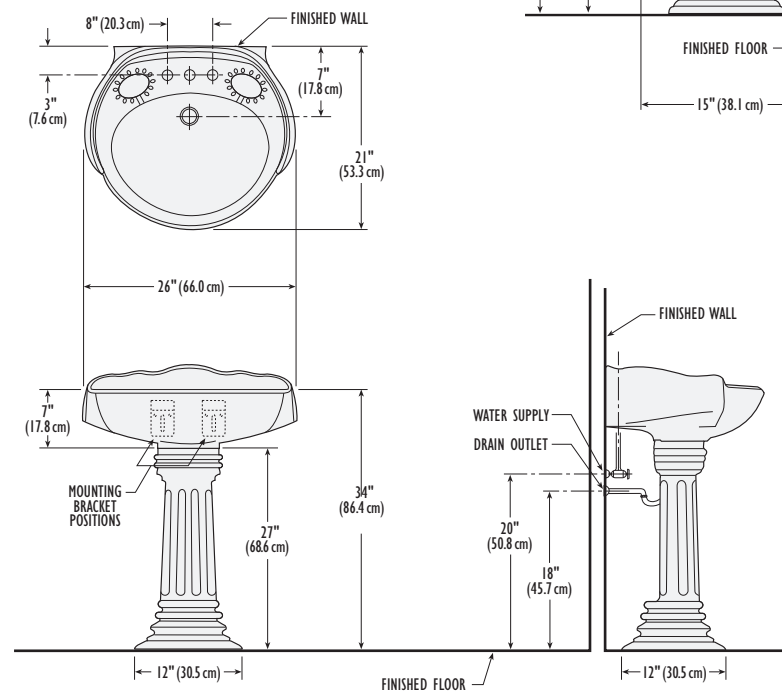
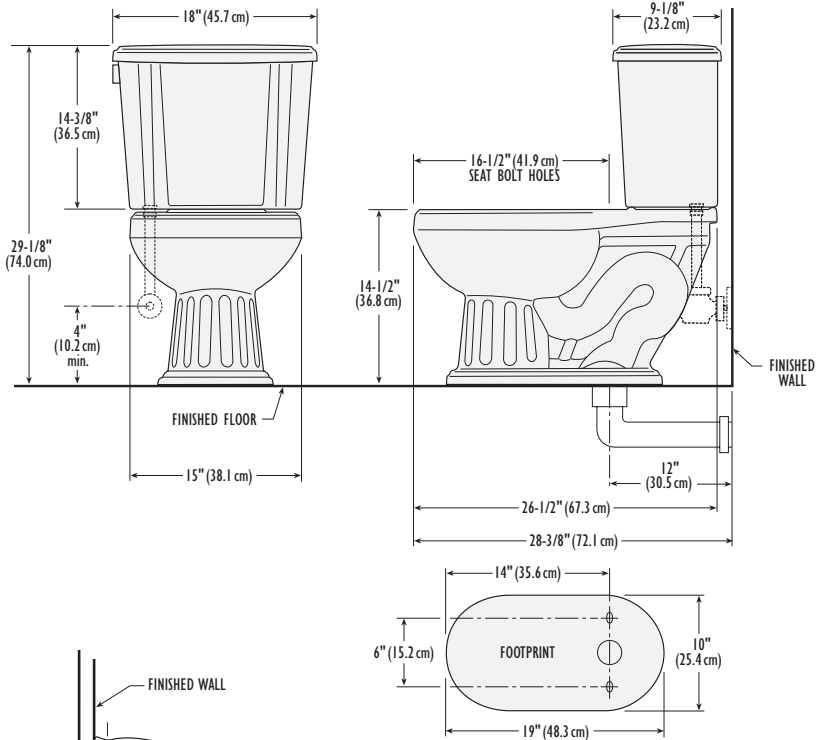
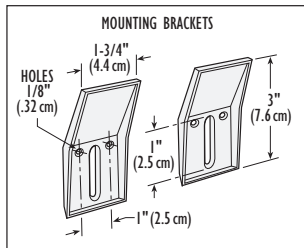
Vortens®

REGENCY RF SUITE

Toilet 3102-3450 Lavatory 3504-3514

DIMENSIONS

IMPORTANT: Dimensions of fixtures are nominal and may vary within the range of tolerance established by the standards ASME A112.19.2 / CSA B45.1. These measurements are subject to change or cancellation. No responsibility is assumed for use of superseded or voided pages.



SPECIFICATIONS

3102-V	Round Front Bowl	45 Lbs.
3450-V	12" Rough-In Tank	37 Lbs.
3450-L	12" Rough-In Insulated Tank	38 Lbs.
3504-V	4" Basin	48 Lbs.
3543-V	8" Basin	48 Lbs.
3544-V	Single Hole Basin	48 Lbs.
3514-V	Pedestal	29 Lbs.

COLORS

02: White

Other: Refer to price book for additional colors/finishes

Color number is indicated between part number and letter suffix (i.e. 3464-02-V)



U.S. CUSTOMER SERVICE
Toll Free: 866-821-2811
customerservice@vortens.com
ussales@vortens.com
www.vortens.com

CANADIAN CUSTOMER SERVICE
Toll Free: 866-363-1365
canadiansales@vortens.com
www.vortens.com



GENOVA SUITE

Toilet 3121-3421

Lavatory 3556-3519



FEATURES

2-1/8" Fully Glazed Trapway – Passes a 2" Ball

Powerful & Efficient 1.6 gpf/6.0 lpf

Equipped with – Pilot Valve

Flushes 500 grams of solids

Contemporary Style with Side-Mounted, Chrome-Plated Metal Flush Lever

9" x 8" Water Surface

Hidden Front Overflow Lavatory

Contemporary-Style Lavatory

5-Year Warranty on Vitreous China

3-Year Warranty on Component and/or Accessory Parts

V-Gloss™ High-Gloss Vitreous China – Durable, Nonporous

SPECIFICATIONS

3121-V	Elongated Bowl	50 Lbs.
3421-V	12" Rough-In Tank	33 Lbs.
3556-V	4" Basin	44 Lbs.
3519-V	Pedestal	21 Lbs.

See other side for additional options.



Meets ASME A112.19.2 / CSA B45.1
Seat and Faucet Not Included

THE PROVEN LEADER
IN FLUSHING PERFORMANCE™

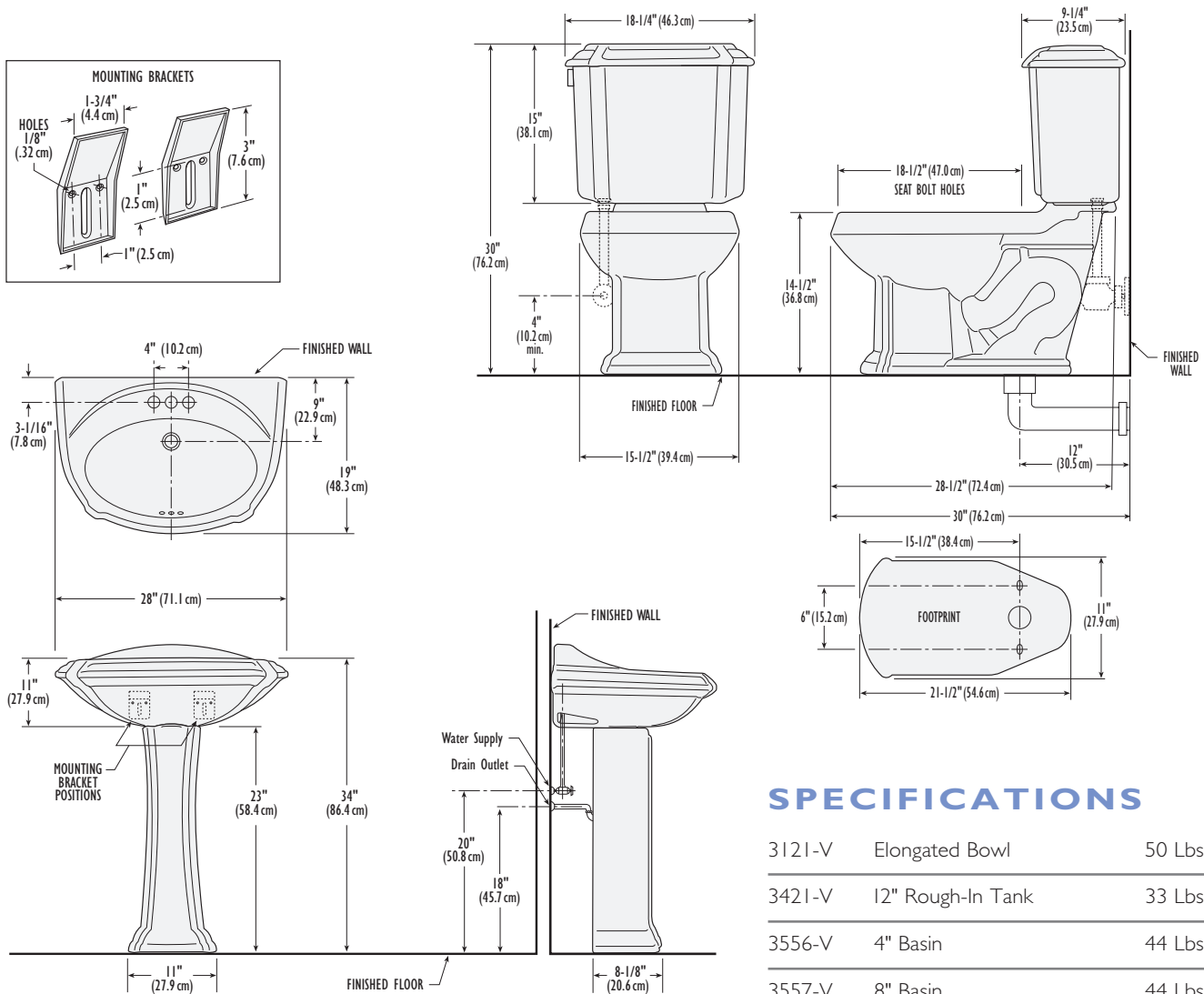
Vortens®
ONLY THE BEST INSIDE

GENOVA SUITE

Toilet 3121-3421 Lavatory 3556-3519

DIMENSIONS

IMPORTANT: Dimensions of fixtures are nominal and may vary within the range of tolerance established by the standards ASME A112.19.2 / CSA B45.1. These measurements are subject to change or cancellation. No responsibility is assumed for use of superseded or voided pages.



SPECIFICATIONS

3121-V	Elongated Bowl	50 Lbs.
3421-V	12" Rough-In Tank	33 Lbs.
3556-V	4" Basin	44 Lbs.
3557-V	8" Basin	44 Lbs.
3558-V	Single Hole Basin	44 Lbs.
3519-V	Pedestal	21 Lbs.

COLORS

02: White

Other: Refer to price book for additional colors/finishes

Color number is indicated between part number and letter suffix (i.e. 3464-02-V)



U.S. CUSTOMER SERVICE
Toll Free: 866-821-2811
customerservice@vortens.com
ussales@vortens.com
www.vortens.com

CANADIAN CUSTOMER SERVICE
Toll Free: 866-363-1365
canadiansales@vortens.com
www.vortens.com



VELEZZA SUITE

Toilet 3106-3416

Lavatory 3553-3518



FEATURES

2-1/8" Fully Glazed Trapway –
Passes a 2" Ball

Powerful & Efficient 1.6 gpf/6.0 lpf

Equipped with – Pilot Valve

Flushes 600 grams of solids

Skirted Bowl with Concealed Trap
for Easy Cleaning

Side-Mounted, Chrome-Plated
Metal Flush Lever

9-1/2" x 8" Water Surface

Hidden Front Overflow Lavatory

5-Year Warranty on Vitreous China

1-Year Warranty on Component
and/or Accessory Parts

V-Gloss™ High-Gloss Vitreous China –
Durable, Nonporous

SPECIFICATIONS

3106-V	Elongated Bowl	76 Lbs.
3416-V	12" Rough-In Tank	35 Lbs.
3553-V	4" Basin	36 Lbs.
3518-V	Pedestal	21 Lbs.

See other side for additional options.

Meets ASME A112.19.2 / CSA B45.1
Seat and Faucet Not Included

THE PROVEN LEADER
IN FLUSHING PERFORMANCE™

Vortens®

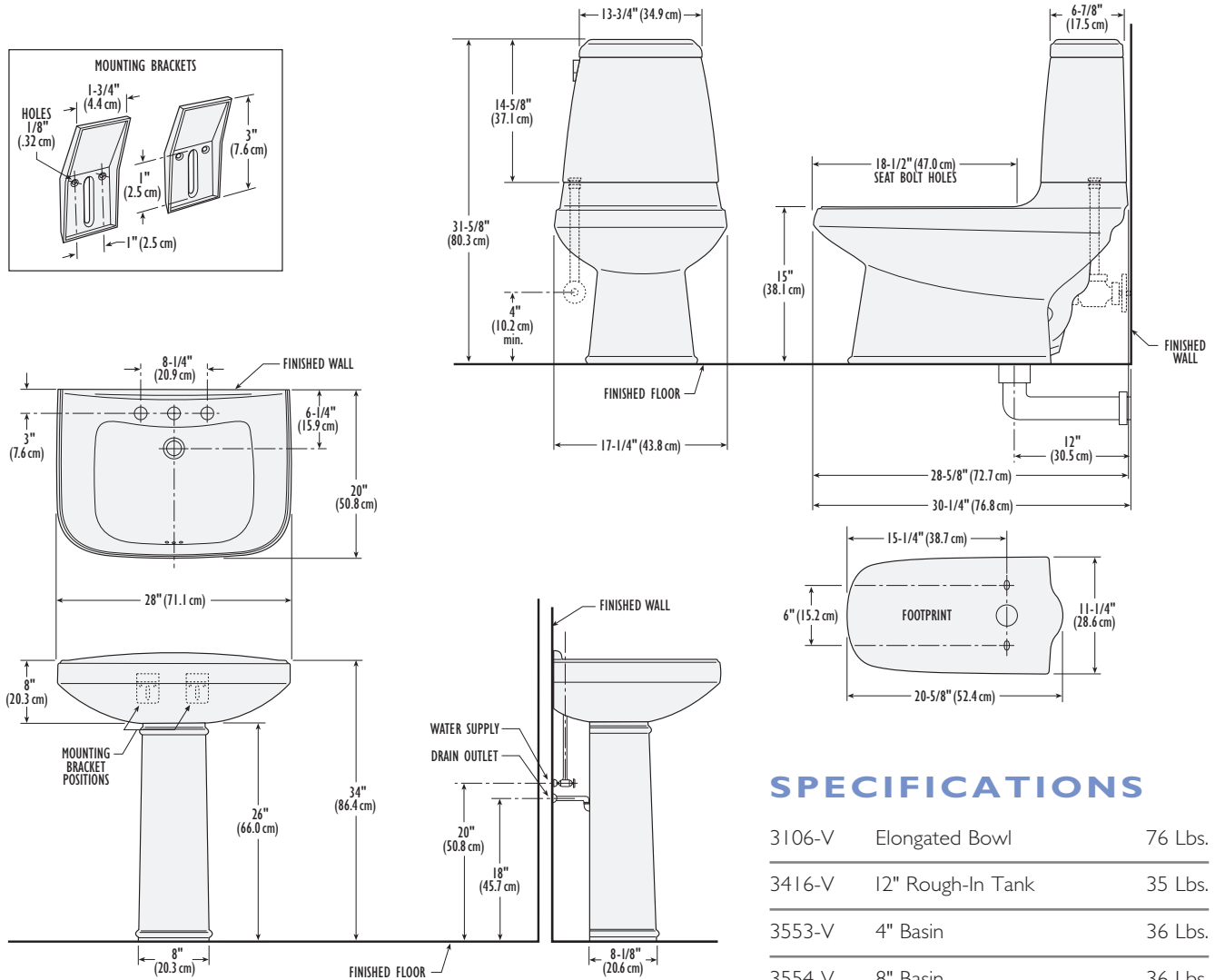
VELEZZA SUITE

Toilet 3106-3416

Lavatory 3553-3518

DIMENSIONS

IMPORTANT: Dimensions of fixtures are nominal and may vary within the range of tolerance established by the standards ASME A112.19.2 / CSA B45.1. These measurements are subject to change or cancellation. No responsibility is assumed for use of superseded or voided pages.



SPECIFICATIONS

3106-V	Elongated Bowl	76 Lbs.
3416-V	12" Rough-In Tank	35 Lbs.
3553-V	4" Basin	36 Lbs.
3554-V	8" Basin	36 Lbs.
3555-V	Single Hole Basin	36 Lbs.
3518-V	Pedestal	21 Lbs.

COLORS

02: White

Other: Refer to price book for additional colors/finishes

Color number is indicated between part number and letter suffix (i.e. 3464-02-V)



U.S. CUSTOMER SERVICE
Toll Free: 866-821-2811
customerservice@vortens.com
ussales@vortens.com
www.vortens.com

CANADIAN CUSTOMER SERVICE
Toll Free: 866-363-1365
canadiansales@vortens.com
www.vortens.com



Vortens[®]

ALL PERFORMANCE.
NO PROBLEMS.



PEDESTAL LAVATORIES



THE PROVEN LEADER
IN FLUSHING PERFORMANCE™

MANCHESTER

Model 3327-3307



FEATURES

Hidden Front Overflow

Contemporary-Style Lavatory

Part of the Manchester Suite

5-Year Warranty on Vitreous China

V-Gloss™ High-Gloss Vitreous China –
Durable, Nonporous

SPECIFICATIONS

3327-V	8" Basin	43 Lbs.
3307-V	Pedestal	29 Lbs.
Dimensions	25-3/4" x 21-1/4" x 33-5/8"	

Meets ASME A112.19.2 / CSA B45.1
Faucet Not Included

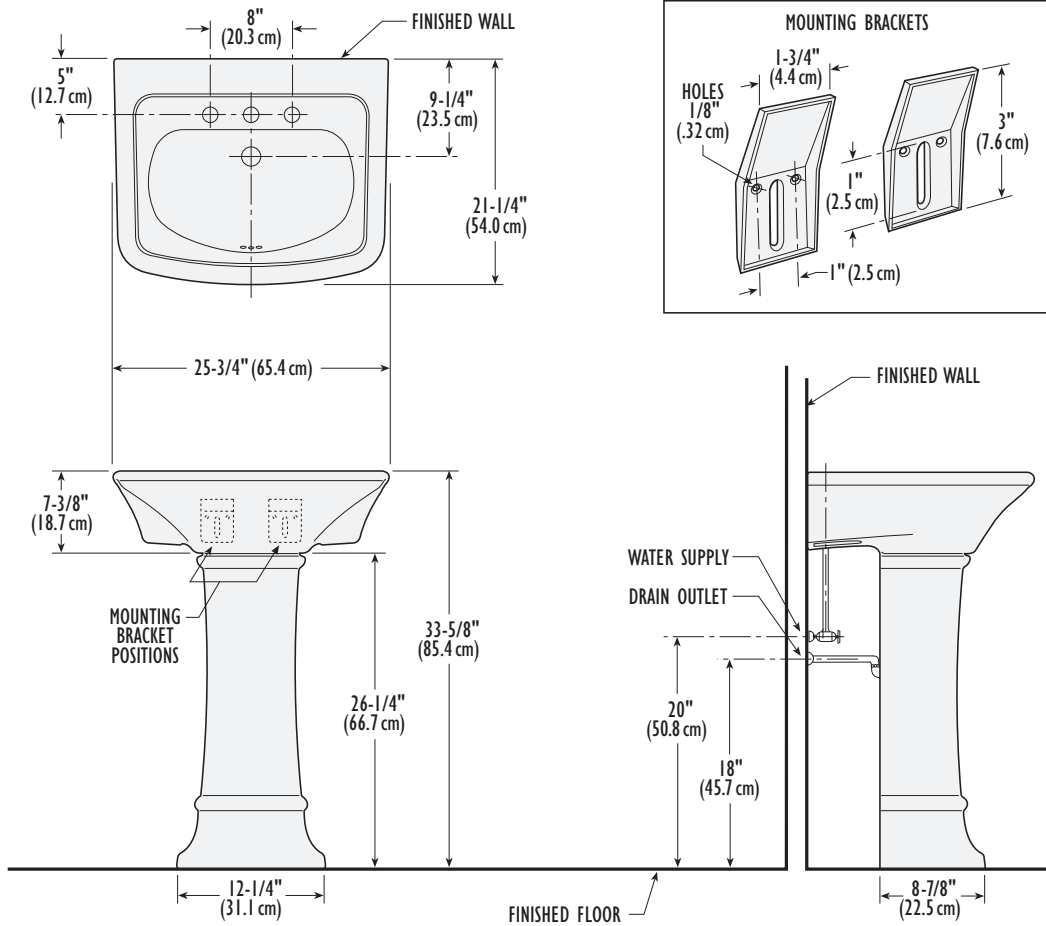
THE PROVEN LEADER
IN FLUSHING PERFORMANCE™



MANCHESTER

Model 3327-3307

DIMENSIONS



IMPORTANT: Dimensions of fixtures are nominal and may vary within the range of tolerance established by the standards ASME A112.19.2 / CSA B45.1. These measurements are subject to change or cancellation. No responsibility is assumed for use of superseded or voided pages.

SPECIFICATIONS

3327-V	8" Basin	43 Lbs.
3307-V	Pedestal	29 Lbs.
Dimensions	25-3/4" x 21-1/4" x 33-5/8"	

COLORS

02: White

Other: Refer to price book for additional colors/finishes

Color number is indicated between part number and letter suffix (i.e. 3464-02-V)



U.S. CUSTOMER SERVICE
 Toll Free: 866-821-2811
 customerservice@vortens.com
 ussales@vortens.com
 www.vortens.com

CANADIAN CUSTOMER SERVICE
 Toll Free: 866-363-1365
 canadiansales@vortens.com
 www.vortens.com



REGENCY

Model 3504-3514



FEATURES

Hidden Front Overflow

Victorian-Style Lavatory

Part of the Regency Suite

5-Year Warranty on Vitreous China

V-Gloss™ High-Gloss Vitreous China –
Durable, Nonporous

SPECIFICATIONS

3504-V	4" Basin	48 Lbs.
3543-V	8" Basin	48 Lbs.
3544-V	Single Hole Basin	48 Lbs.
3514-V	Pedestal	29 Lbs.
Dimensions	26" x 21" x 34"	

Meets ASME A112.19.2 / CSA B45.1
Faucet Not Included

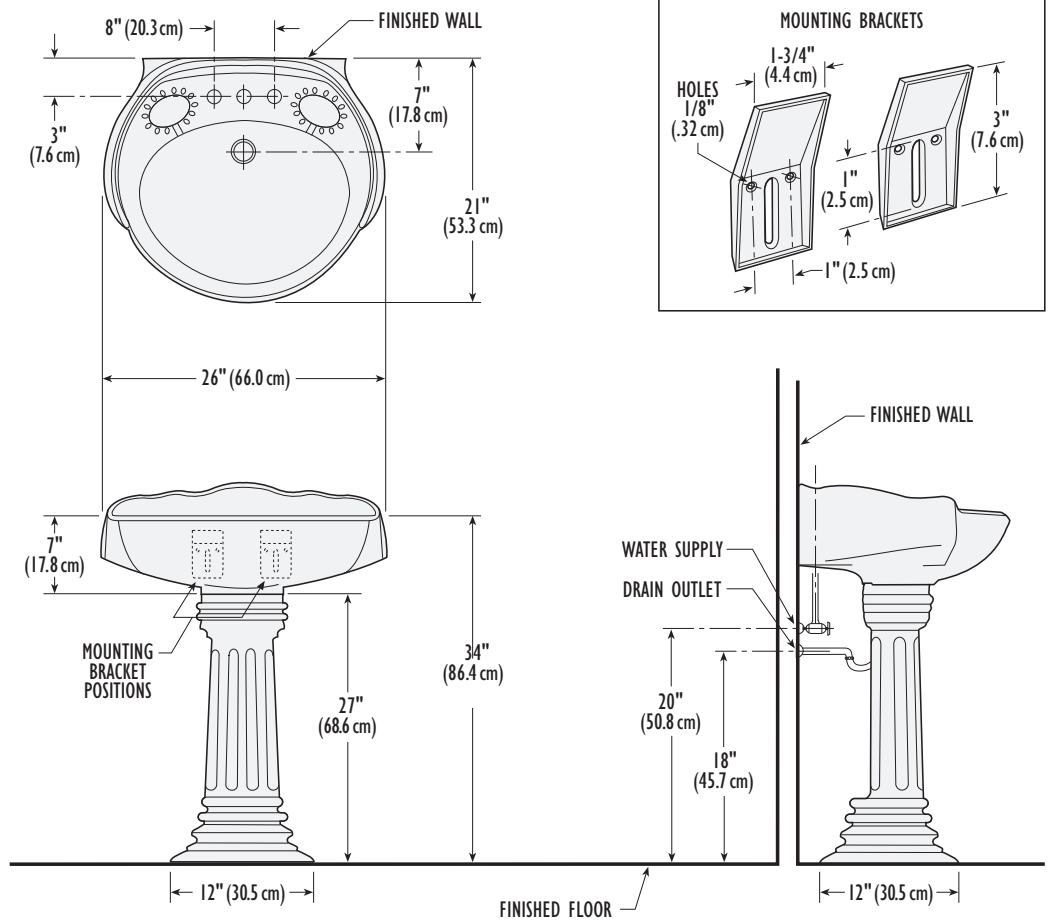
THE PROVEN LEADER
IN FLUSHING PERFORMANCE™



REGENCY

Model 3504-3514

DIMENSIONS



IMPORTANT: Dimensions of fixtures are nominal and may vary within the range of tolerance established by the standards ASME A112.19.2 / CSA B45.1. These measurements are subject to change or cancellation. No responsibility is assumed for use of superseded or voided pages.

SPECIFICATIONS

3504-V	4" Basin	48 Lbs.
3543-V	8" Basin	48 Lbs.
3544-V	Single Hole Basin	48 Lbs.
3514-V	Pedestal	29 Lbs.
Dimensions	26" x 21" x 34"	

COLORS

02: White

Other: Refer to price book for additional colors/finishes

Color number is indicated between part number and letter suffix (i.e. 3464-02-V)



U.S. CUSTOMER SERVICE
Toll Free: 866-821-2811
customerservice@vortens.com
ussales@vortens.com
www.vortens.com

CANADIAN CUSTOMER SERVICE
Toll Free: 866-363-1365
canadiansales@vortens.com
www.vortens.com



GENOVA

Model 3556-3519



FEATURES

Hidden Front Overflow

Contemporary-Style Lavatory

Part of the Genova Suite

5-Year Warranty on Vitreous China

V-Gloss™ High-Gloss Vitreous China –
Durable, Nonporous

SPECIFICATIONS

3556-V	4" Basin	44 Lbs.
3557-V	8" Basin	44 Lbs.
3558-V	Single Hole Basin	44 Lbs.
3519-V	Pedestal	21 Lbs.
Dimensions		28" x 19" x 34"

Meets ASME A112.19.2 / CSA B45.1
Faucet Not Included

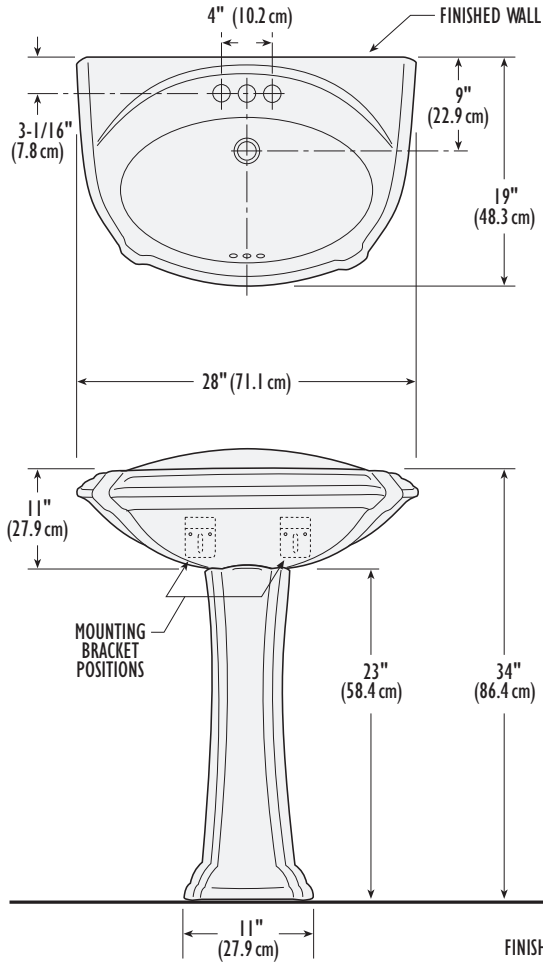
THE PROVEN LEADER
IN FLUSHING PERFORMANCE™



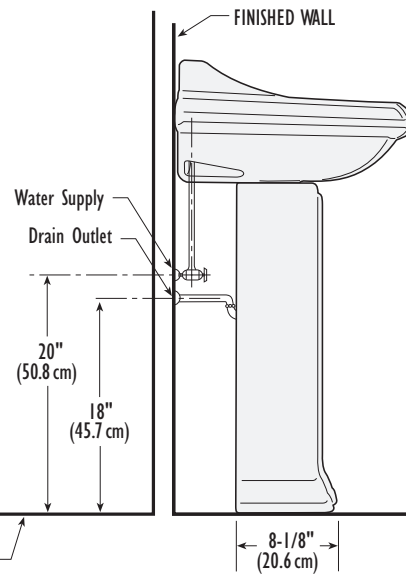
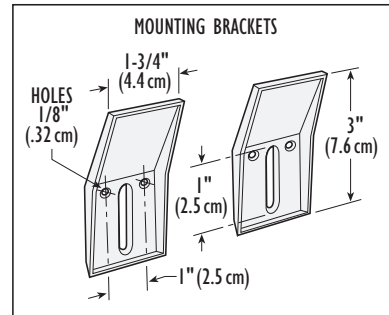
GENOVA

Model 3556-3519

DIMENSIONS



IMPORTANT: Dimensions of fixtures are nominal and may vary within the range of tolerance established by the standards ASME A112.19.2 / CSA B45.1. These measurements are subject to change or cancellation. No responsibility is assumed for use of superseded or voided pages.



SPECIFICATIONS

3556-V	4" Basin	44 Lbs.
3557-V	8" Basin	44 Lbs.
3558-V	Single Hole Basin	44 Lbs.
3519-V	Pedestal	21 Lbs.
Dimensions	28" x 19" x 34"	

COLORS

02: White

Other: Refer to price book for additional colors/finishes

Color number is indicated between part number and letter suffix (i.e. 3464-02-V)



U.S. CUSTOMER SERVICE
Toll Free: 866-821-2811
customerservice@vortens.com
ussales@vortens.com
www.vortens.com

CANADIAN CUSTOMER SERVICE
Toll Free: 866-363-1365
canadiansales@vortens.com
www.vortens.com



VELEZZA

Model 3553-3518



FEATURES

Hidden Front Overflow

Part of the Velezza Suite

5-Year Warranty on Vitreous China

V-Gloss™ High-Gloss Vitreous China –
Durable, Nonporous

SPECIFICATIONS

3553-V	4" Basin	36 Lbs.
3554-V	8" Basin	36 Lbs.
3555-V	Single Hole Basin	36 Lbs.
3518-V	Pedestal	21 Lbs.
Dimensions		28" x 20" x 34"

Meets ASME A112.19.2 / CSA B45.1
Faucet Not Included

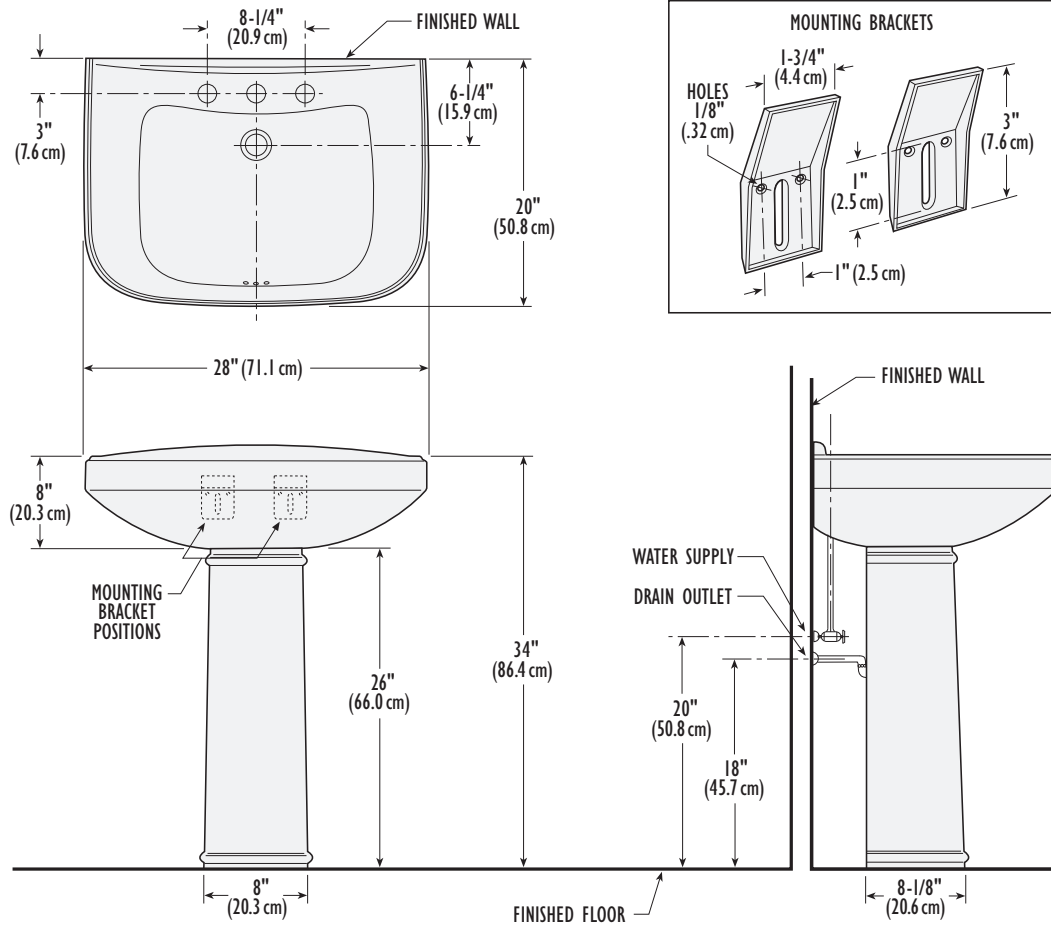
THE PROVEN LEADER
IN FLUSHING PERFORMANCE™



VELEZZA

Model 3553-3518

DIMENSIONS



IMPORTANT: Dimensions of fixtures are nominal and may vary within the range of tolerance established by the standards ASME A112.19.2 / CSA B45.1. These measurements are subject to change or cancellation. No responsibility is assumed for use of superseded or voided pages.

SPECIFICATIONS

3553-V	4" Basin	36 Lbs.
3554-V	8" Basin	36 Lbs.
3555-V	Single Hole Basin	36 Lbs.
3518-V	Pedestal	21 Lbs.
Dimensions	28" x 20" x 34"	

COLORS

02: White

Other: Refer to price book for additional colors/finishes

Color number is indicated between part number and letter suffix (i.e. 3464-02-V)



U.S. CUSTOMER SERVICE
 Toll Free: 866-821-2811
 customerservice@vortens.com
 ussales@vortens.com
 www.vortens.com

CANADIAN CUSTOMER SERVICE
 Toll Free: 866-363-1365
 canadiansales@vortens.com
 www.vortens.com



VIENNA

Model 3321-3510



FEATURES

Hidden Front Overflow

5-Year Warranty on Vitreous China

V-Gloss™ High-Gloss Vitreous China –
Durable, Nonporous

SPECIFICATIONS

3321-V	4" Basin	31 Lbs.
3510-V	Pedestal	19 Lbs.
Dimensions	20" x 17" x 34"	

Meets ASME A112.19.2 / CSA B45.1
Faucet Not Included

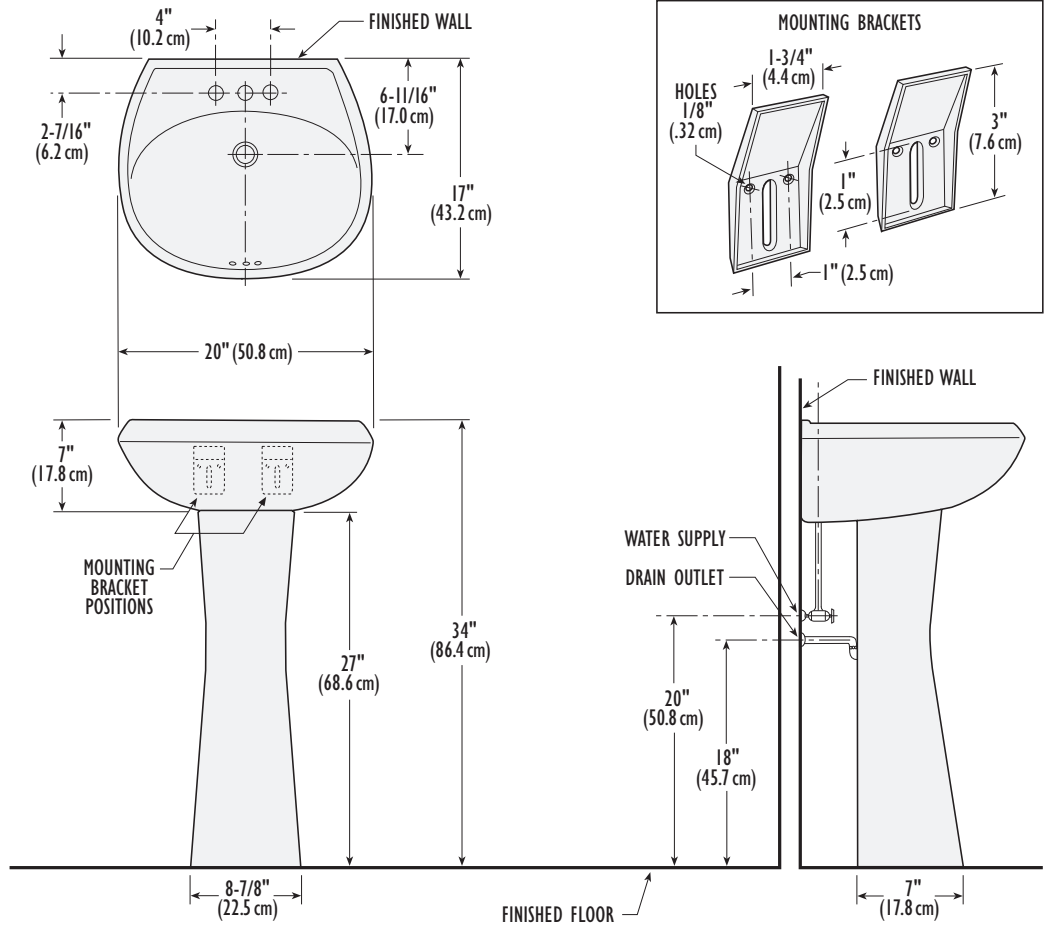
THE PROVEN LEADER
IN FLUSHING PERFORMANCE™



VIENNA

Model 3321-3510

DIMENSIONS



IMPORTANT: Dimensions of fixtures are nominal and may vary within the range of tolerance established by the standards ASME A112.19.2 / CSA B45.1. These measurements are subject to change or cancellation. No responsibility is assumed for use of superseded or voided pages.

SPECIFICATIONS

3321-V	4" Basin	31 Lbs.
3510-V	Pedestal	19 Lbs.
Dimensions		20" x 17" x 34"

COLORS

02: White

Other: Refer to price book for additional colors/finishes

Color number is indicated between part number and letter suffix (i.e. 3464-02-V)



U.S. CUSTOMER SERVICE
 Toll Free: 866-821-2811
 customerservice@vortens.com
 ussales@vortens.com
 www.vortens.com

CANADIAN CUSTOMER SERVICE
 Toll Free: 866-363-1365
 canadiansales@vortens.com
 www.vortens.com



VIENNA / SENNA

Model 3321-3516



FEATURES

Hidden Front Overflow

5-Year Warranty on Vitreous China

V-Gloss™ High-Gloss Vitreous China –
Durable, Nonporous

SPECIFICATIONS

3321-V	4" Vienna Basin	31 Lbs.
3516-V	Senna Pedestal	19 Lbs.
Dimensions	20" x 17" x 34"	

Meets ASME A112.19.2 / CSA B45.1
Faucet Not Included

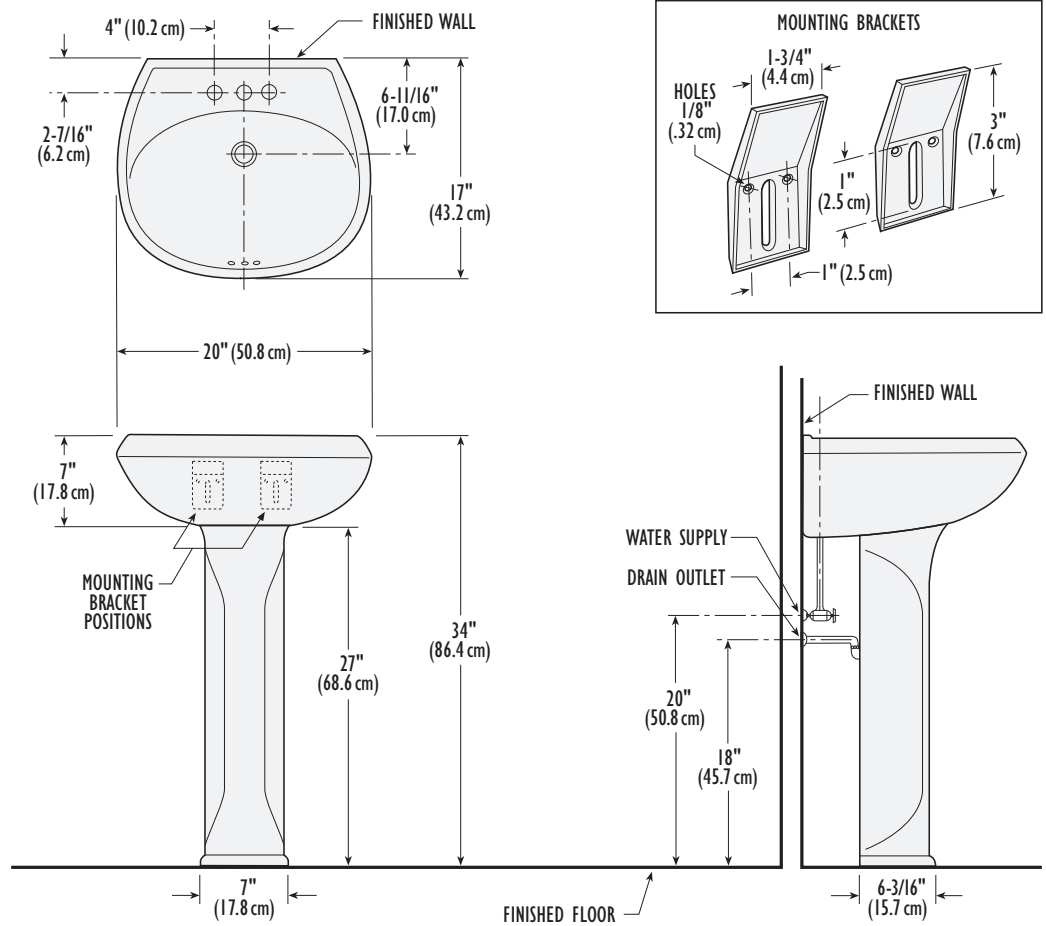
THE PROVEN LEADER
IN FLUSHING PERFORMANCE™



VIENNA / SENNA

Model 3321-3516

DIMENSIONS



IMPORTANT: Dimensions of fixtures are nominal and may vary within the range of tolerance established by the standards ASME A112.19.2 / CSA B45.1. These measurements are subject to change or cancellation. No responsibility is assumed for use of superseded or voided pages.

SPECIFICATIONS

3321-V	4" Vienna Basin	31 Lbs.
3516-V	Senna Pedestal	19 Lbs.
Dimensions	20" x 17" x 34"	

COLORS

02: White

Other: Refer to price book for additional colors/finishes

Color number is indicated between part number and letter suffix (i.e. 3464-02-V)



U.S. CUSTOMER SERVICE
Toll Free: 866-821-2811
customerservice@vortens.com
ussales@vortens.com
www.vortens.com

CANADIAN CUSTOMER SERVICE
Toll Free: 866-363-1365
canadiansales@vortens.com
www.vortens.com



SENNA

Model 3539-3516



FEATURES

Hidden Front Overflow

5-Year Warranty on Vitreous China

V-Gloss™ High-Gloss Vitreous China –
Durable, Nonporous

SPECIFICATIONS

3539-V	4" Basin	32 Lbs.
3545-V	8" Basin	32 Lbs.
3547-V	Single Hole Basin	32 Lbs.
3516-V	Pedestal	19 Lbs.
Dimensions		23" x 18" x 33"

Meets ASME A112.19.2 / CSA B45.1
Faucet Not Included

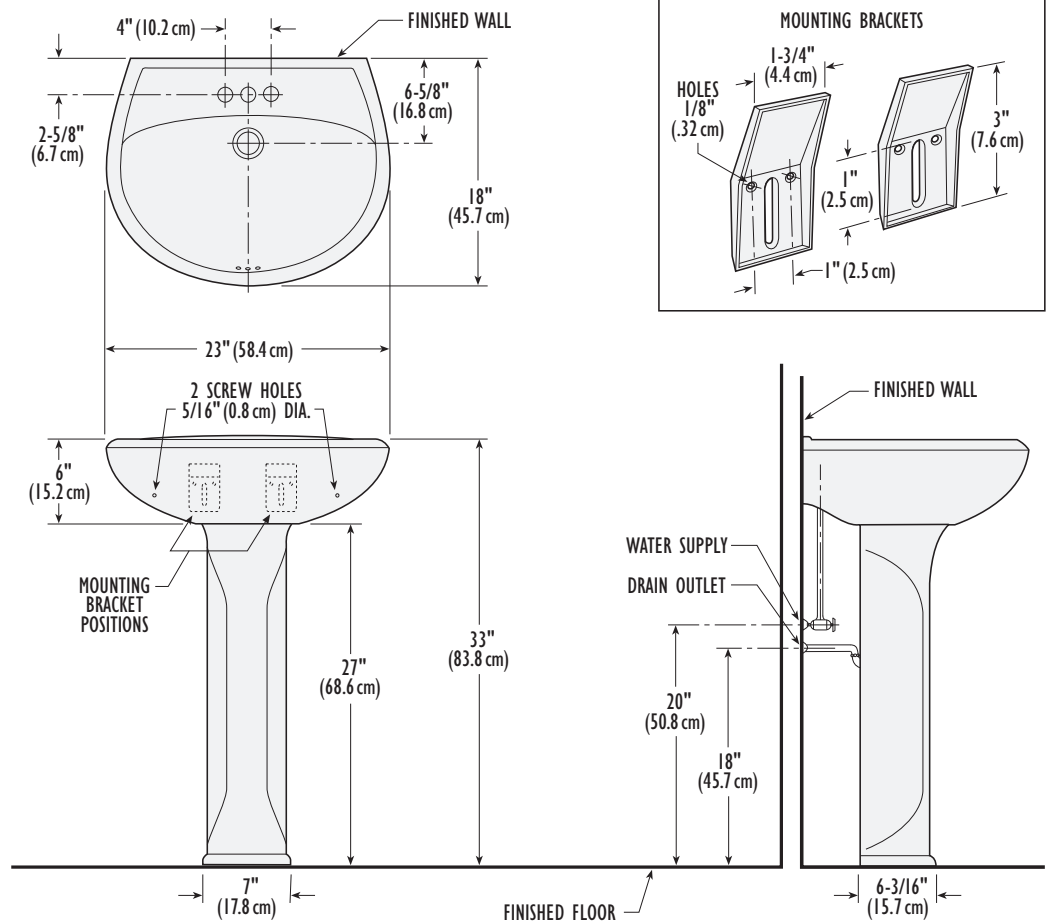
THE PROVEN LEADER
IN FLUSHING PERFORMANCE™



SENNA

Model 3539-3516

DIMENSIONS



IMPORTANT: Dimensions of fixtures are nominal and may vary within the range of tolerance established by the standards ASME A112.19.2 / CSA B45.1. These measurements are subject to change or cancellation. No responsibility is assumed for use of superseded or voided pages.

SPECIFICATIONS

3539-V	4" Basin	32 Lbs.
3545-V	8" Basin	32 Lbs.
3547-V	Single Hole Basin	32 Lbs.
3516-V	Pedestal	19 Lbs.
Dimensions	23" x 18" x 33"	

COLORS

02: White

Other: Refer to price book for additional colors/finishes

Color number is indicated between part number and letter suffix (i.e. 3464-02-V)



U.S. CUSTOMER SERVICE
 Toll Free: 866-821-2811
 customerservice@vortens.com
 ussales@vortens.com
 www.vortens.com

CANADIAN CUSTOMER SERVICE
 Toll Free: 866-363-1365
 canadiansales@vortens.com
 www.vortens.com



SENNA / VIENNA

Model 3539-3510



FEATURES

Hidden Front Overflow

5-Year Warranty on Vitreous China

V-Gloss™ High-Gloss Vitreous China –
Durable, Nonporous

SPECIFICATIONS

3539-V	4" Senna Basin	32 Lbs.
3545-V	8" Senna Basin	32 Lbs.
3547-V	Single Hole Basin	32 Lbs.
3510-V	Vienna Pedestal	19 Lbs.
Dimensions	23" x 18" x 33"	

Meets ASME A112.19.2 / CSA B45.1
Faucet Not Included

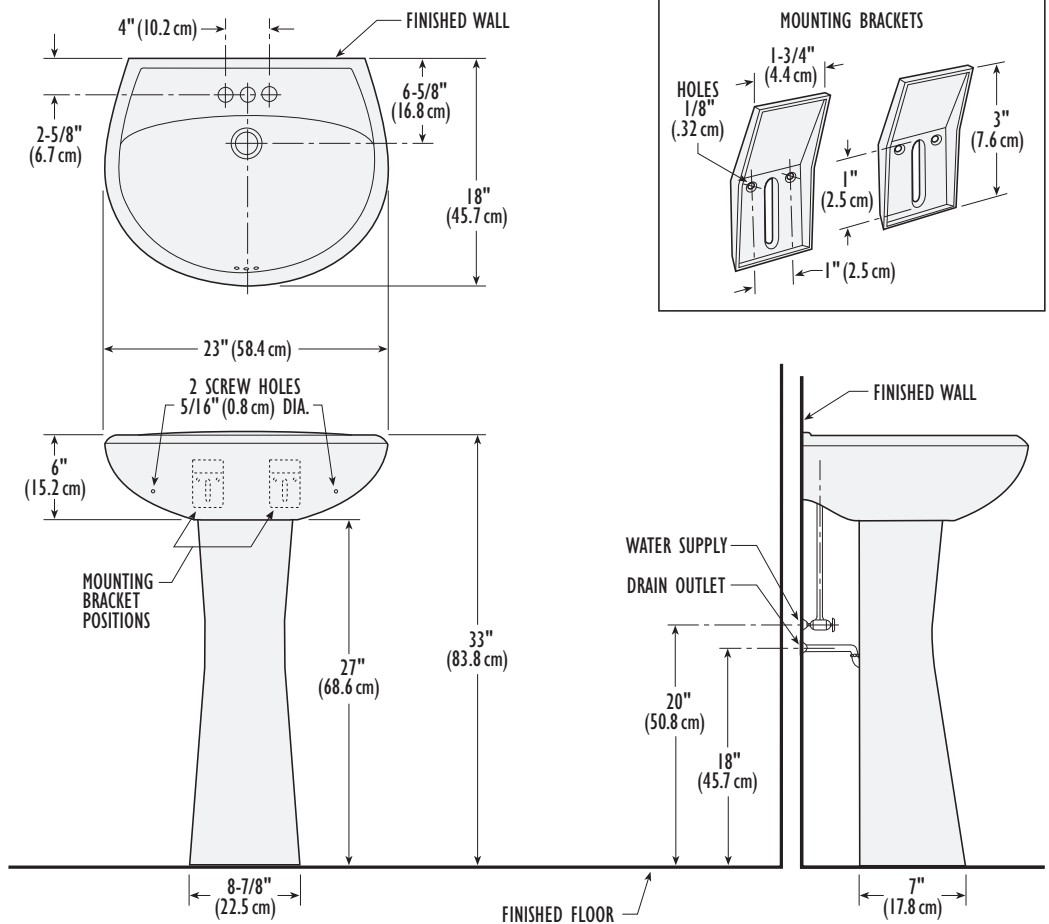
THE PROVEN LEADER
IN FLUSHING PERFORMANCE™



SENNA / VIENNA

Model 3539-3510

DIMENSIONS



IMPORTANT: Dimensions of fixtures are nominal and may vary within the range of tolerance established by the standards ASME A112.19.2 / CSA B45.1. These measurements are subject to change or cancellation. No responsibility is assumed for use of superseded or voided pages.

SPECIFICATIONS

3539-V	4" Senna Basin	32 Lbs.
3545-V	8" Senna Basin	32 Lbs.
3547-V	Single Hole Basin	32 Lbs.
3510-V	Vienna Pedestal	19 Lbs.
Dimensions	23" x 18" x 33"	

COLORS

02: White

Other: Refer to price book for additional colors/finishes

Color number is indicated between part number and letter suffix (i.e. 3464-02-V)



U.S. CUSTOMER SERVICE
 Toll Free: 866-821-2811
 customerservice@vortens.com
 ussales@vortens.com
 www.vortens.com

CANADIAN CUSTOMER SERVICE
 Toll Free: 866-363-1365
 canadiansales@vortens.com
 www.vortens.com



MOLISSE

Model 3549-3510



FEATURES

Hidden Front Overflow

5-Year Warranty on Vitreous China

V-Gloss™ High-Gloss Vitreous China –
Durable, Nonporous

SPECIFICATIONS

3549-V	4" Molisse Basin	35 Lbs.
3551-V	8" Molisse Basin	35 Lbs.
3552-V	Single Hole Basin	35 Lbs.
3510-V	Vienna Pedestal	19 Lbs.
Dimensions	25" × 19-5/8" × 33"	

Meets ASME A112.19.2 / CSA B45.1
Faucet Not Included

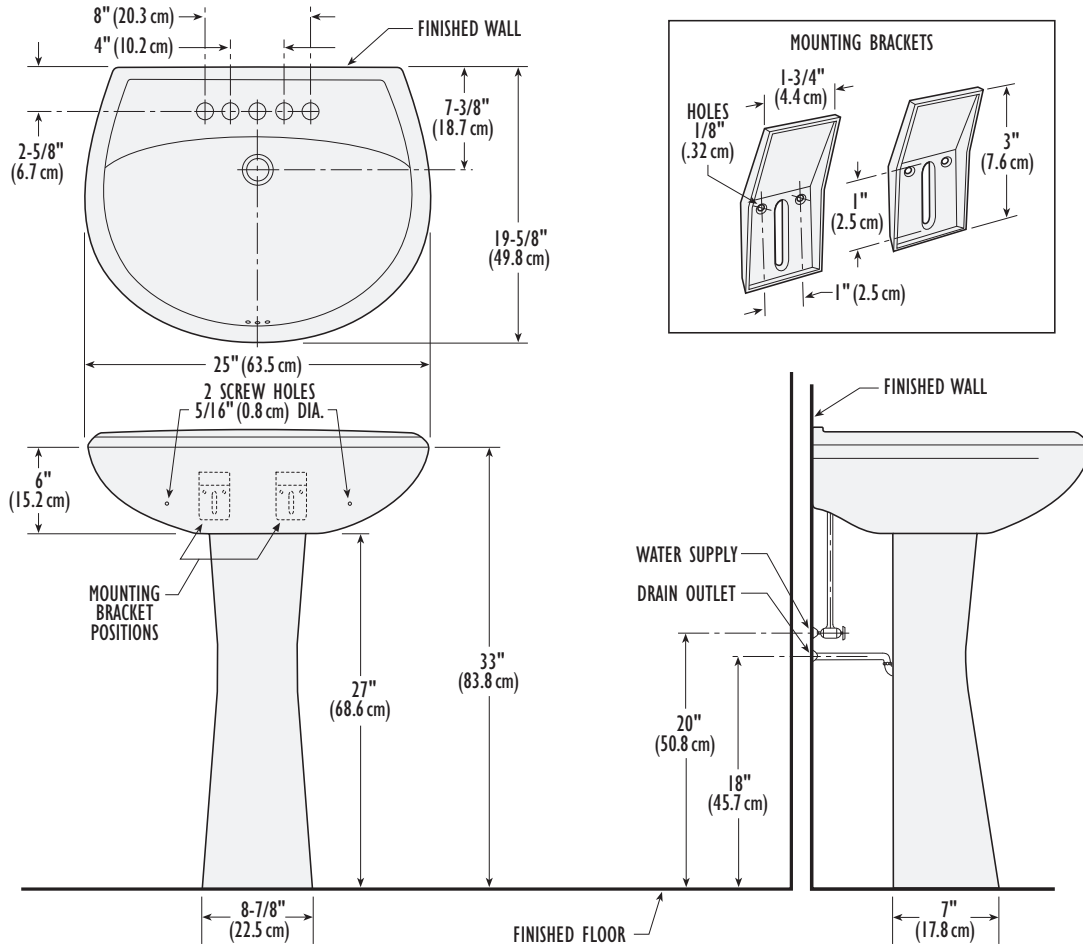
THE PROVEN LEADER
IN FLUSHING PERFORMANCE™



MOLISSE

Model 3549-3510

DIMENSIONS



IMPORTANT: Dimensions of fixtures are nominal and may vary within the range of tolerance established by the standards ASME A112.19.2 / CSA B45.1. These measurements are subject to change or cancellation. No responsibility is assumed for use of superseded or voided pages.

SPECIFICATIONS

3549-V	4" Molisse Basin	35 Lbs.
3551-V	8" Molisse Basin	35 Lbs.
3552-V	Single Hole Basin	35 Lbs.
3510-V	Vienna Pedestal	19 Lbs.
Dimensions	25" x 19-5/8" x 33"	

COLORS

02: White

Other: Refer to price book for additional colors/finishes

Color number is indicated between part number and letter suffix (i.e. 3464-02-V)



U.S. CUSTOMER SERVICE
 Toll Free: 866-821-2811
 customerservice@vortens.com
 ussales@vortens.com
 www.vortens.com

CANADIAN CUSTOMER SERVICE
 Toll Free: 866-363-1365
 canadiansales@vortens.com
 www.vortens.com



MOLISSE / SENNA

Model 3549-3516



FEATURES

Hidden Front Overflow

5-Year Warranty on Vitreous China

V-Gloss™ High-Gloss Vitreous China –
Durable, Nonporous

SPECIFICATIONS

3549-V	4" Molisse Basin	35 Lbs.
3551-V	8" Molisse Basin	35 Lbs.
3552-V	Single Hole Basin	35 Lbs.
3516-V	Senna Pedestal	19 Lbs.
Dimensions	25" × 19-5/8" × 33"	

Meets ASME A112.19.2 / CSA B45.1
Faucet Not Included

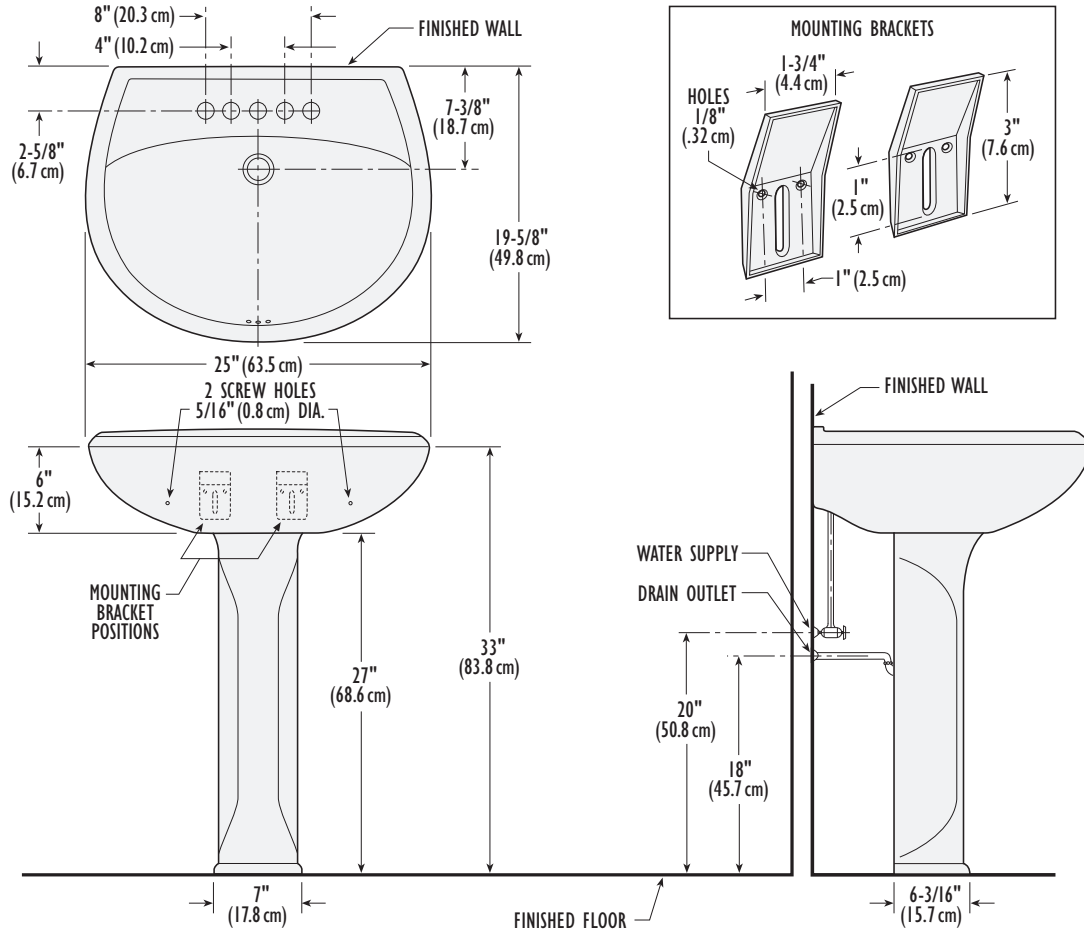
THE PROVEN LEADER
IN FLUSHING PERFORMANCE™



MOLISSE / SENNA

Model 3549-3516

DIMENSIONS



SPECIFICATIONS

3549-V	4" Molisse Basin	35 Lbs.
3551-V	8" Molisse Basin	35 Lbs.
3552-V	Single Hole Basin	35 Lbs.
3516-V	Senna Pedestal	19 Lbs.
Dimensions	25" x 19-5/8" x 33"	

COLORS

02: White

Other: Refer to price book for additional colors/finishes

Color number is indicated between part number and letter suffix (i.e. 3464-02-V)



U.S. CUSTOMER SERVICE
 Toll Free: 866-821-2811
 customerservice@vortens.com
 ussales@vortens.com
 www.vortens.com

CANADIAN CUSTOMER SERVICE
 Toll Free: 866-363-1365
 canadiansales@vortens.com
 www.vortens.com



Vortens®

ALL PERFORMANCE.
NO PROBLEMS.



VESSEL, DROP-IN &
WALL-HUNG LAVATORIES

THE PROVEN LEADER
IN FLUSHING PERFORMANCE™

VENEZIA

Model 3521



FEATURES

Hidden Front Overflow

5-Year Warranty on Vitreous China

V-Gloss™ High-Gloss Vitreous China –
Durable, Nonporous

SPECIFICATIONS

3521-V	4" Basin	19 Lbs.
3525-V	8" Basin	19 Lbs.
3523-V	Single Hole Basin	19 Lbs.
Dimensions	20" x 17" Oval	



Meets ASME A112.19.2 / CSA B45.1
Faucet Not Included

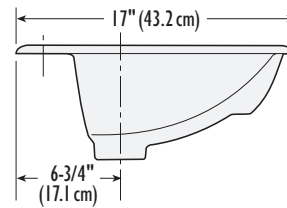
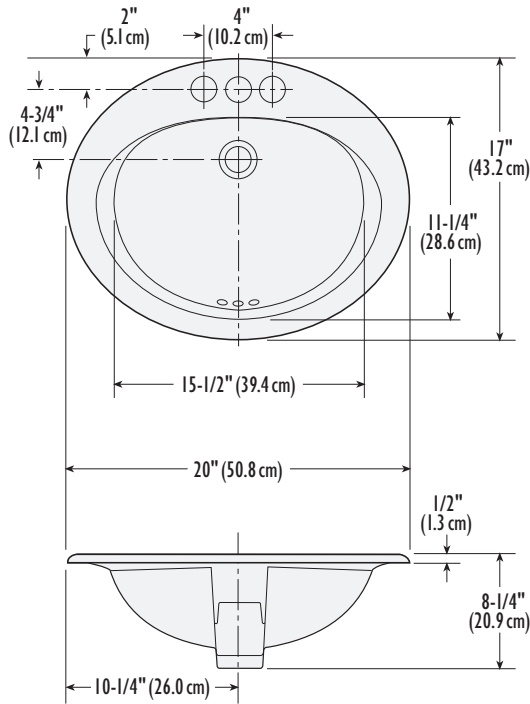
THE PROVEN LEADER
IN FLUSHING PERFORMANCE™

Vortens®
The Vortens logo graphic consists of several curved, horizontal lines that sweep upwards and to the right, resembling a stylized wave or a fan.

VENEZIA

Model 3521

DIMENSIONS



IMPORTANT: Dimensions of fixtures are nominal and may vary within the range of tolerance established by the standards ASME A112.19.2 / CSA B45.1. These measurements are subject to change or cancellation. No responsibility is assumed for use of superseded or voided pages.

SPECIFICATIONS

3521-V	4" Basin	19 Lbs.
3525-V	8" Basin	19 Lbs.
3523-V	Single Hole Basin	19 Lbs.
Dimensions	20" x 17" Oval	

A.D.A. Lavatory Installation Requirements: Lavatories shall be mounted with rim/counter surface no higher than 34 inches (86.4 cm) above finished floor. Provide a clearance range of 27 - 29 inches (68.6 - 73.7 cm) from the floor to the lavatory bottom or lavatory apron depending upon the type installed. For complete details on installation requirements, see A.D.A. Installation Handbook.

COLORS

02: White

Other: Refer to price book for additional colors/finishes

Color number is indicated between part number and letter suffix (i.e. 3464-02-V)



U.S. CUSTOMER SERVICE
Toll Free: 866-821-2811
customerservice@vortens.com
ussales@vortens.com
www.vortens.com

CANADIAN CUSTOMER SERVICE
Toll Free: 866-363-1365
canadiansales@vortens.com
www.vortens.com



FIRENZE

Model 3526



FEATURES

Hidden Front Overflow

5-Year Warranty on Vitreous China

V-Gloss™ High-Gloss Vitreous China –
Durable, Nonporous

SPECIFICATIONS

3526-V	4" Basin	17 Lbs.
3528-V	8" Basin	17 Lbs.
3527-V	Single Hole Basin	17 Lbs.
Dimensions		19" Round



Meets ASME A112.19.2 / CSA B45.1
Faucet Not Included

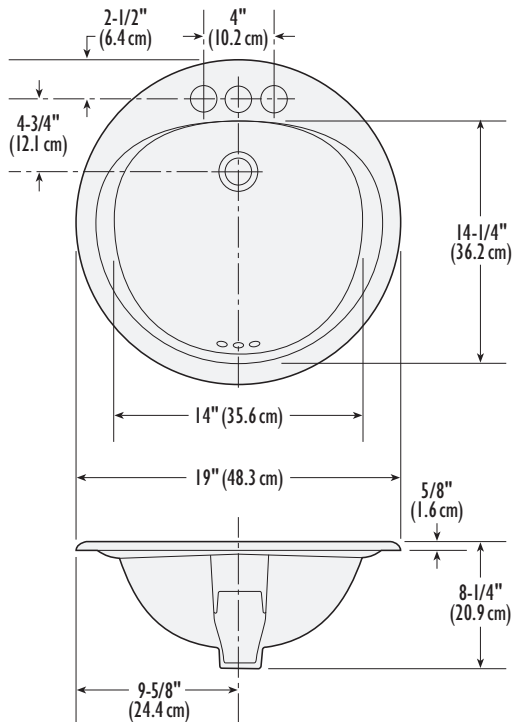
THE PROVEN LEADER
IN FLUSHING PERFORMANCE™

Vortens®


FIRENZE

Model 3526

DIMENSIONS



IMPORTANT: Dimensions of fixtures are nominal and may vary within the range of tolerance established by the standards ASME A112.19.2 / CSA B45.1. These measurements are subject to change or cancellation. No responsibility is assumed for use of superseded or voided pages.

SPECIFICATIONS

3526-V	4" Basin	17 Lbs.
3528-V	8" Basin	17 Lbs.
3527-V	Single Hole Basin	17 Lbs.
Dimensions		19" Round

A.D.A. Lavatory Installation Requirements: Lavatories shall be mounted with rim/counter surface no higher than 34 inches (86.4 cm) above finished floor. Provide a clearance range of 27 - 29 inches (68.6 - 73.7 cm) from the floor to the lavatory bottom or lavatory apron depending upon the type installed. For complete details on installation requirements, see A.D.A. Installation Handbook.

COLORS

02: White

Other: Refer to price book for additional colors/finishes

Color number is indicated between part number and letter suffix (i.e. 3464-02-V)



U.S. CUSTOMER SERVICE
Toll Free: 866-821-2811
customerservice@vortens.com
ussales@vortens.com
www.vortens.com

CANADIAN CUSTOMER SERVICE
Toll Free: 866-363-1365
canadiansales@vortens.com
www.vortens.com



GENOVA

Model 3351



FEATURES

Hidden Front Overflow

Contemporary-Style Lavatory

Part of the Genova Suite

5-Year Warranty on Vitreous China

V-Gloss™ High-Gloss Vitreous China –
Durable, Nonporous

SPECIFICATIONS

3351-V	4" Basin	23 Lbs.
3352-V	8" Basin	23 Lbs.
3353-V	Single Hole Basin	23 Lbs.
Dimensions	23-1/2" x 19-5/8" Oval	



Meets ASME A112.19.2 / CSA B45.1
Faucet Not Included

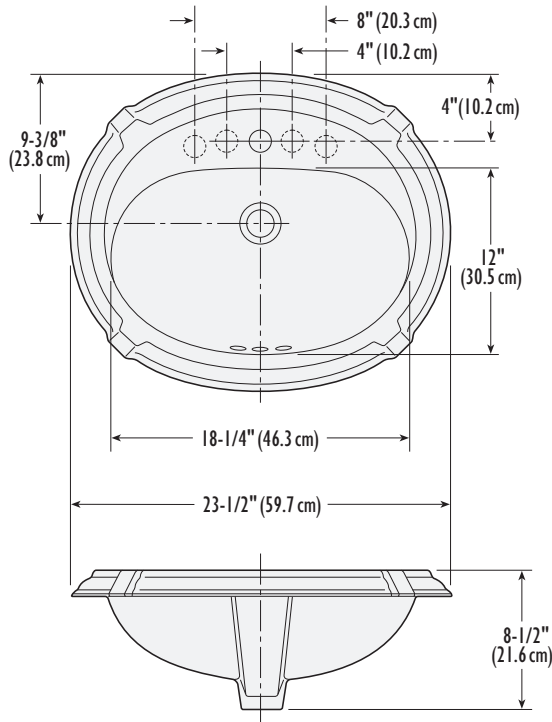
THE PROVEN LEADER
IN FLUSHING PERFORMANCE™

Vortens®
™

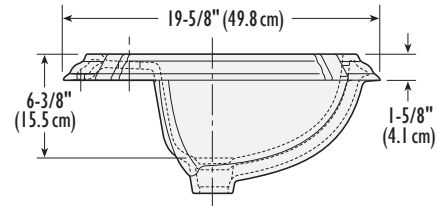
GENOVA

Model 3351

DIMENSIONS



IMPORTANT: Dimensions of fixtures are nominal and may vary within the range of tolerance established by the standards ASME A112.19.2 / CSA B45.1. These measurements are subject to change or cancellation. No responsibility is assumed for use of superseded or voided pages.



SPECIFICATIONS

3351-V	4" Basin	23 Lbs.
3352-V	8" Basin	23 Lbs.
3353-V	Single Hole Basin	23 Lbs.
Dimensions	23-1/2" x 19-5/8" Oval	

A.D.A. Lavatory Installation Requirements: Lavatories shall be mounted with rim/counter surface no higher than 34 inches (86.4 cm) above finished floor. Provide a clearance range of 27 - 29 inches (68.6 - 73.7 cm) from the floor to the lavatory bottom or lavatory apron depending upon the type installed. For complete details on installation requirements, see A.D.A. Installation Handbook.

COLORS

02: White

Other: Refer to price book for additional colors/finishes

Color number is indicated between part number and letter suffix (i.e. 3464-02-V)



U.S. CUSTOMER SERVICE
Toll Free: 866-821-2811
customerservice@vortens.com
ussales@vortens.com
www.vortens.com

CANADIAN CUSTOMER SERVICE
Toll Free: 866-363-1365
canadiansales@vortens.com
www.vortens.com



REGENCY

Model 3354



FEATURES

Hidden Front Overflow

Victorian-Style Lavatory

Part of the Regency Suite

5-Year Warranty on Vitreous China

V-Gloss™ High-Gloss Vitreous China –
Durable, Nonporous

SPECIFICATIONS

3354-V Basin 14 Lbs.

Dimensions 18" x 14-5/8" Oval



Meets ASME A112.19.2 / CSA B45.1
Faucet Not Included

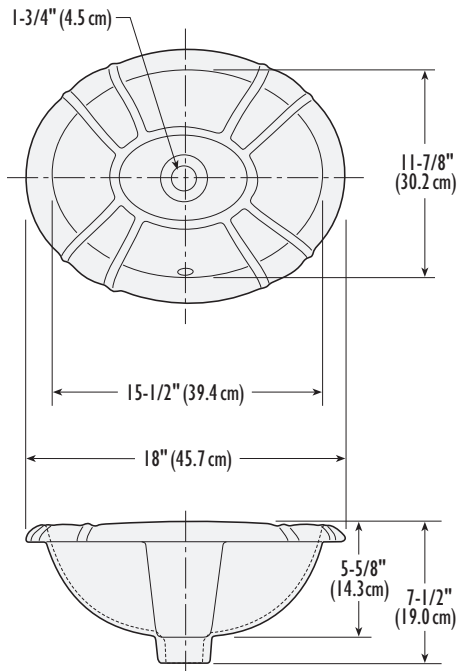
THE PROVEN LEADER
IN FLUSHING PERFORMANCE™

Vortens®

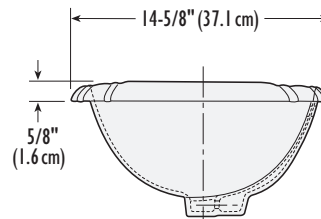

REGENCY

Model 3354

DIMENSIONS



IMPORTANT: Dimensions of fixtures are nominal and may vary within the range of tolerance established by the standards ASME A112.19.2 / CSA B45.1. These measurements are subject to change or cancellation. No responsibility is assumed for use of superseded or voided pages.



SPECIFICATIONS

3354-V Basin	14 Lbs.
Dimensions	18" x 14-5/8" Oval

A.D.A. Lavatory Installation Requirements: Lavatories shall be mounted with rim/counter surface no higher than 34 inches (86.4 cm) above finished floor. Provide a clearance range of 27 - 29 inches (68.6 - 73.7 cm) from the floor to the lavatory bottom or lavatory apron depending upon the type installed. For complete details on installation requirements, see A.D.A. Installation Handbook.

COLORS

02: White

Other: Refer to price book for additional colors/finishes

Color number is indicated between part number and letter suffix (i.e. 3464-02-V)



U.S. CUSTOMER SERVICE
Toll Free: 866-821-2811
customerservice@vortens.com
ussales@vortens.com
www.vortens.com

CANADIAN CUSTOMER SERVICE
Toll Free: 866-363-1365
canadiansales@vortens.com
www.vortens.com



MELANIE

Model 5319



FEATURES

Chrome-Plated Overflow

Contemporary-Style Lavatory

5-Year Warranty on Vitreous China

V-Gloss™ High-Gloss Vitreous China –
Durable, Nonporous

SPECIFICATIONS

5319-V Vessel 19 Lbs.

Dimensions 15-1/2" Round x 6-3/4" Deep



Meets ASME A112.19.2 / CSA B45.1
Faucet Not Included

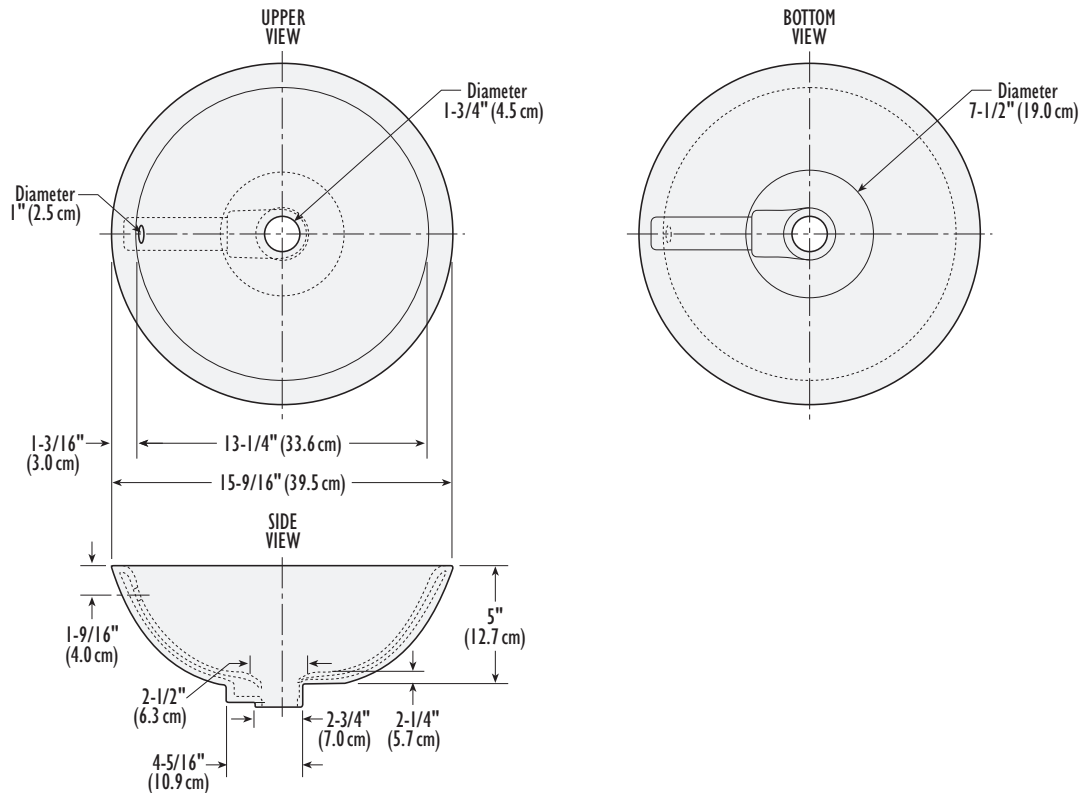
THE PROVEN LEADER
IN FLUSHING PERFORMANCE™

Vortens®

MELANIE

Model 5319

DIMENSIONS



IMPORTANT: Dimensions of fixtures are nominal and may vary within the range of tolerance established by the standards ASME A112.19.2 / CSA B45.1. These measurements are subject to change or cancellation. No responsibility is assumed for use of superseded or voided pages.

SPECIFICATIONS

5319-V	Vessel	19 Lbs.
Dimensions	15-1/2" Round x 6-3/4" Deep	

A.D.A. Lavatory Installation Requirements: Lavatories shall be mounted with rim/counter surface no higher than 34 inches (86.4 cm) above finished floor. Provide a clearance range of 27 - 29 inches (68.6 - 73.7 cm) from the floor to the lavatory bottom or lavatory apron depending upon the type installed. For complete details on installation requirements, see A.D.A. Installation Handbook.

COLORS

02: White

Other: Refer to price book for additional colors/finishes

Color number is indicated between part number and letter suffix (i.e. 3464-02-V)



U.S. CUSTOMER SERVICE
 Toll Free: 866-821-2811
 customerservice@vortens.com
 ussales@vortens.com
 www.vortens.com

CANADIAN CUSTOMER SERVICE
 Toll Free: 866-363-1365
 canadiansales@vortens.com
 www.vortens.com



BOLONIA

Model 5335



FEATURES

Chrome-Plated Overflow

5-Year Warranty on Vitreous China

V-Gloss™ High-Gloss Vitreous China –
Durable, Nonporous

SPECIFICATIONS

5335-V Vessel 36 Lbs.

Dimensions 19-5/8" x 18-1/4" Rectangular

Meets ASME A112.19.2 / CSA B45.1
Faucet Not Included

THE PROVEN LEADER
IN FLUSHING PERFORMANCE™

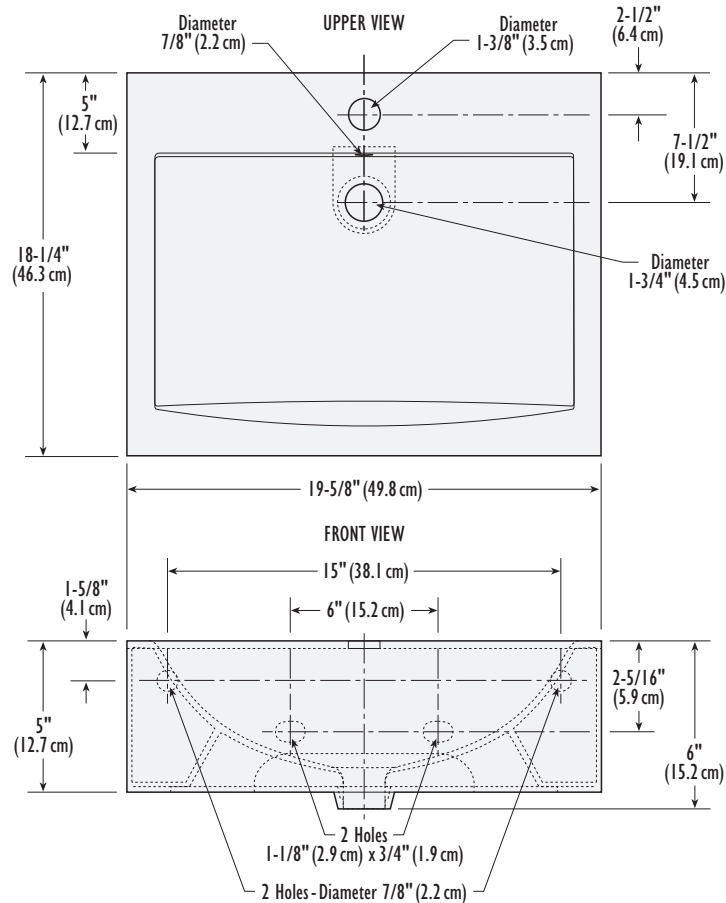
Vortens®


BOLONIA

Model 5335

DIMENSIONS

IMPORTANT: Dimensions of fixtures are nominal and may vary within the range of tolerance established by the standards ASME A112.19.2 / CSA B45.1. These measurements are subject to change or cancellation. No responsibility is assumed for use of superseded or voided pages.



SPECIFICATIONS

5335-V Vessel 36 Lbs.

Dimensions 19-5/8" x 18-1/4" Rectangular

A.D.A. Lavatory Installation Requirements: Lavatories shall be mounted with rim/counter surface no higher than 34 inches (86.4 cm) above finished floor. Provide a clearance range of 27 - 29 inches (68.6 - 73.7 cm) from the floor to the lavatory bottom or lavatory apron depending upon the type installed. For complete details on installation requirements, see A.D.A. Installation Handbook.

COLORS

02: White

Other: Refer to price book for additional colors/finishes

Color number is indicated between part number and letter suffix (i.e. 3464-02-V)



U.S. CUSTOMER SERVICE
Toll Free: 866-821-2811
customerservice@vortens.com
ussales@vortens.com
www.vortens.com

CANADIAN CUSTOMER SERVICE
Toll Free: 866-363-1365
canadiansales@vortens.com
www.vortens.com



SARDINERO

Model 5337



FEATURES

Counter-Top Lavatory – No Overflow

5-Year Warranty on Vitreous China

V-Gloss™ High-Gloss Vitreous China –
Durable, Nonporous

SPECIFICATIONS

5337-V Vessel 26 Lbs.

Dimensions 24-13/16" x 10-3/8" Rectangular

Meets ASME A112.19.2 / CSA B45.1
Faucet Not Included

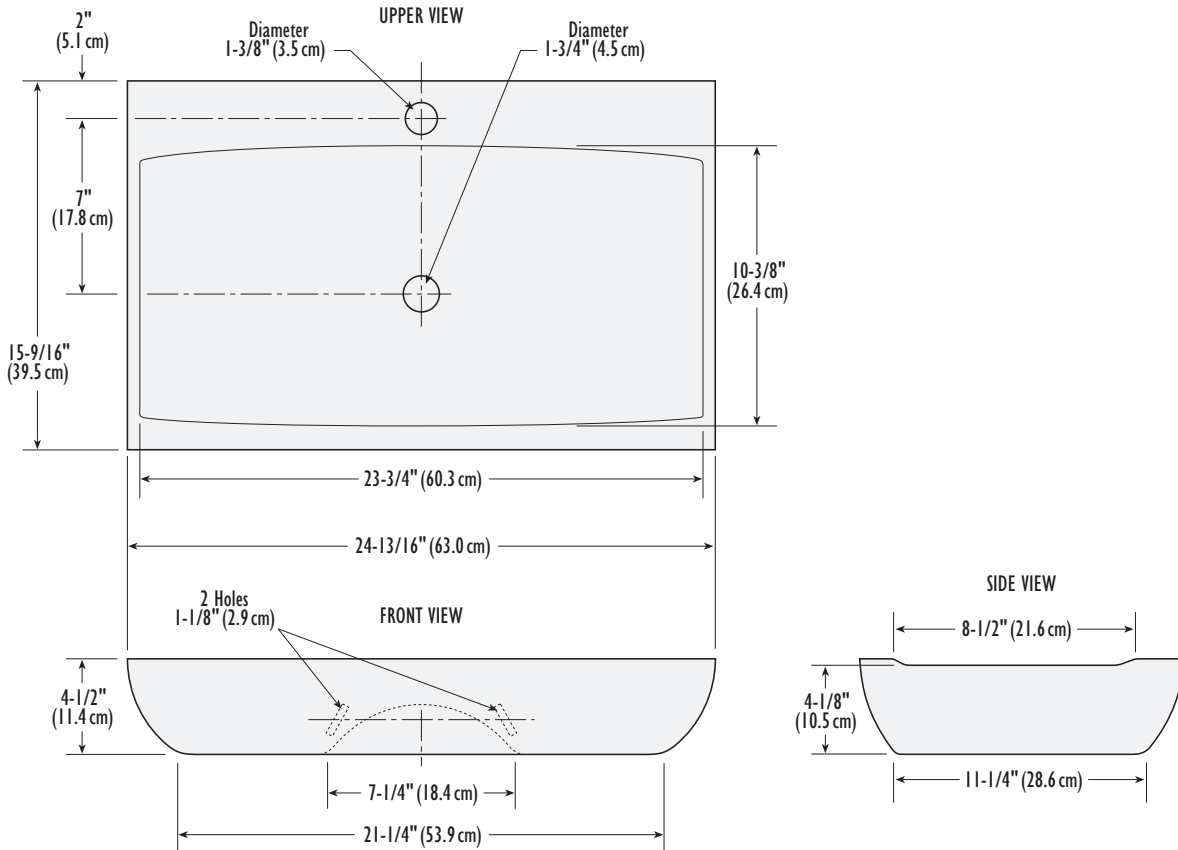
THE PROVEN LEADER
IN FLUSHING PERFORMANCE™

Vortens®


SARDINERO

Model 5337

DIMENSIONS



IMPORTANT: Dimensions of fixtures are nominal and may vary within the range of tolerance established by the standards ASME A112.19.2 / CSA B45.1. These measurements are subject to change or cancellation. No responsibility is assumed for use of superseded or voided pages.

SPECIFICATIONS

5337-V	Vessel	26 Lbs.
Dimensions	24-13/16" x 10-3/8" Rectangular	

A.D.A. Lavatory Installation Requirements: Lavatories shall be mounted with rim/counter surface no higher than 34 inches (86.4 cm) above finished floor. Provide a clearance range of 27 - 29 inches (68.6 - 73.7 cm) from the floor to the lavatory bottom or lavatory apron depending upon the type installed. For complete details on installation requirements, see A.D.A. Installation Handbook.

COLORS

02: White

Other: Refer to price book for additional colors/finishes

Color number is indicated between part number and letter suffix (i.e. 3464-02-V)



U.S. CUSTOMER SERVICE
 Toll Free: 866-821-2811
 customerservice@vortens.com
 ussales@vortens.com
 www.vortens.com

CANADIAN CUSTOMER SERVICE
 Toll Free: 866-363-1365
 canadiansales@vortens.com
 www.vortens.com



SPOLETO

Model 5338



FEATURES

Chrome-Plated Overflow

5-Year Warranty on Vitreous China

V-Gloss™ High-Gloss Vitreous China –
Durable, Nonporous

SPECIFICATIONS

5338-V Vessel 42 Lbs.

Dimensions 24" x 17-1/4" Rectangular

Meets ASME A112.19.2 / CSA B45.1
Faucet Not Included

THE PROVEN LEADER
IN FLUSHING PERFORMANCE™

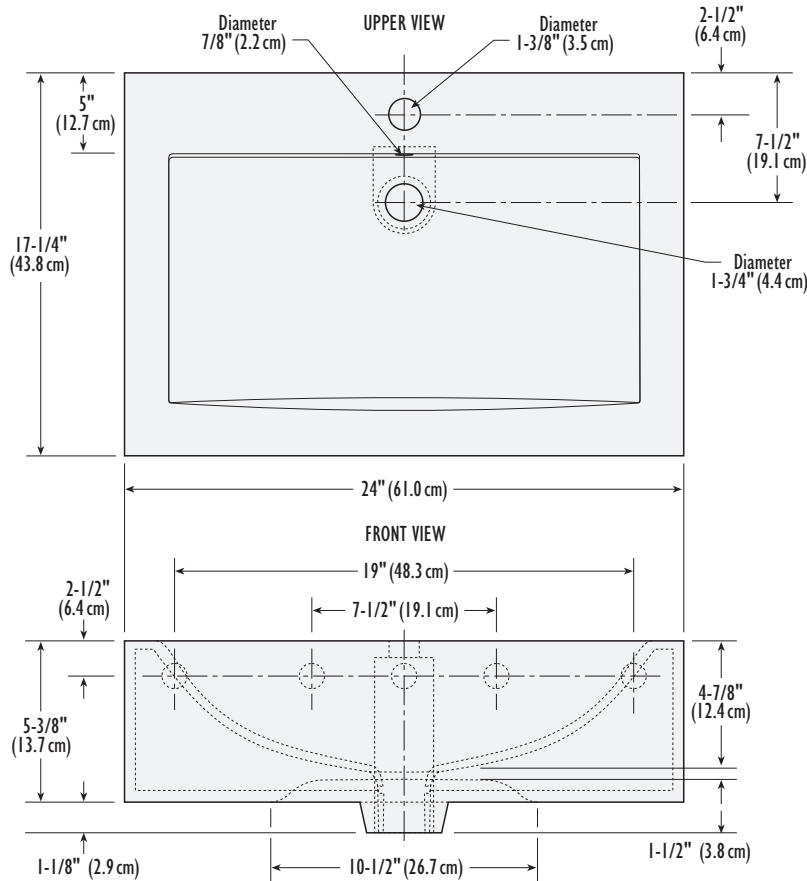


SPOLETO

Model 5338

DIMENSIONS

IMPORTANT: Dimensions of fixtures are nominal and may vary within the range of tolerance established by the standards ASME A112.19.2 / CSA B45.1. These measurements are subject to change or cancellation. No responsibility is assumed for use of superseded or voided pages.



SPECIFICATIONS

5338-V	Vessel	42 Lbs.
Dimensions	24" x 17-1/4" Rectangular	

A.D.A. Lavatory Installation Requirements: Lavatories shall be mounted with rim/counter surface no higher than 34 inches (86.4 cm) above finished floor. Provide a clearance range of 27 - 29 inches (68.6 - 73.7 cm) from the floor to the lavatory bottom or lavatory apron depending upon the type installed. For complete details on installation requirements, see A.D.A. Installation Handbook.

COLORS

02: White

Other: Refer to price book for additional colors/finishes

Color number is indicated between part number and letter suffix (i.e. 3464-02-V)



U.S. CUSTOMER SERVICE
 Toll Free: 866-821-2811
 customerservice@vortens.com
 ussales@vortens.com
 www.vortens.com

CANADIAN CUSTOMER SERVICE
 Toll Free: 866-363-1365
 canadiansales@vortens.com
 www.vortens.com



HOLIDAY

Model 3529



FEATURES

Hidden Front Overflow

5-Year Warranty on Vitreous China

V-Gloss™ High-Gloss Vitreous China –
Durable, Nonporous

SPECIFICATIONS

3529-V Basin 14 Lbs.

Dimensions 19" x 16" Oval



Meets ASME A112.19.2 / CSA B45.1
Faucet Not Included

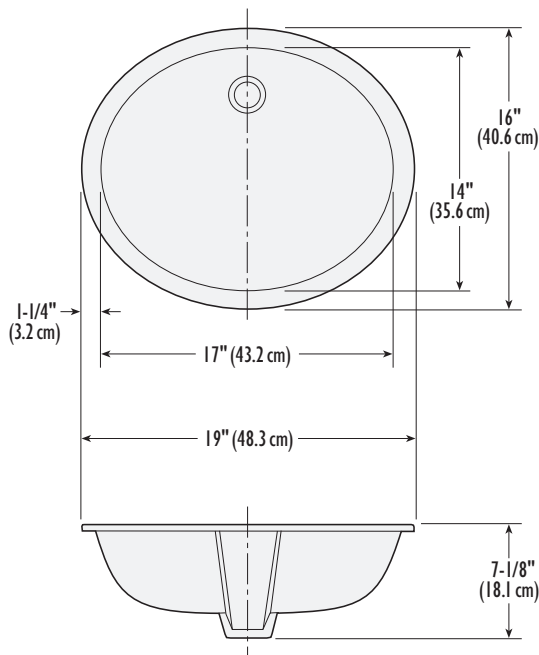
THE PROVEN LEADER
IN FLUSHING PERFORMANCE™

Vortens®
The Vortens logo graphic consists of several curved, horizontal lines that sweep upwards and to the right, creating a sense of motion or a stylized 'V' shape.

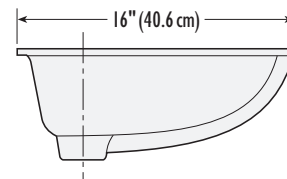
HOLIDAY

Model 3529

DIMENSIONS



IMPORTANT: Dimensions of fixtures are nominal and may vary within the range of tolerance established by the standards ASME A112.19.2 / CSA B45.1. These measurements are subject to change or cancellation. No responsibility is assumed for use of superseded or voided pages.



SPECIFICATIONS

3529-V	Basin	14 Lbs.
Dimensions	19" x 16" Oval	

A.D.A. Lavatory Installation Requirements: Lavatories shall be mounted with rim/counter surface no higher than 34 inches (86.4 cm) above finished floor. Provide a clearance range of 27 - 29 inches (68.6 - 73.7 cm) from the floor to the lavatory bottom or lavatory apron depending upon the type installed. For complete details on installation requirements, see A.D.A. Installation Handbook.

COLORS

02: White

Other: Refer to price book for additional colors/finishes

Color number is indicated between part number and letter suffix (i.e. 3464-02-V)



U.S. CUSTOMER SERVICE
Toll Free: 866-821-2811
customerservice@vortens.com
ussales@vortens.com
www.vortens.com

CANADIAN CUSTOMER SERVICE
Toll Free: 866-363-1365
canadiansales@vortens.com
www.vortens.com



TOSCANA

Model 3370



FEATURES

Chrome-Plated Overflow

5-Year Warranty on Vitreous China

V-Gloss™ High-Gloss Vitreous China –
Durable, Nonporous

SPECIFICATIONS

3370-V Basin 20 Lbs.

Dimensions 24-1/8" x 15-3/8" Rectangular



Meets ASME A112.19.2 / CSA B45.1
Faucet Not Included

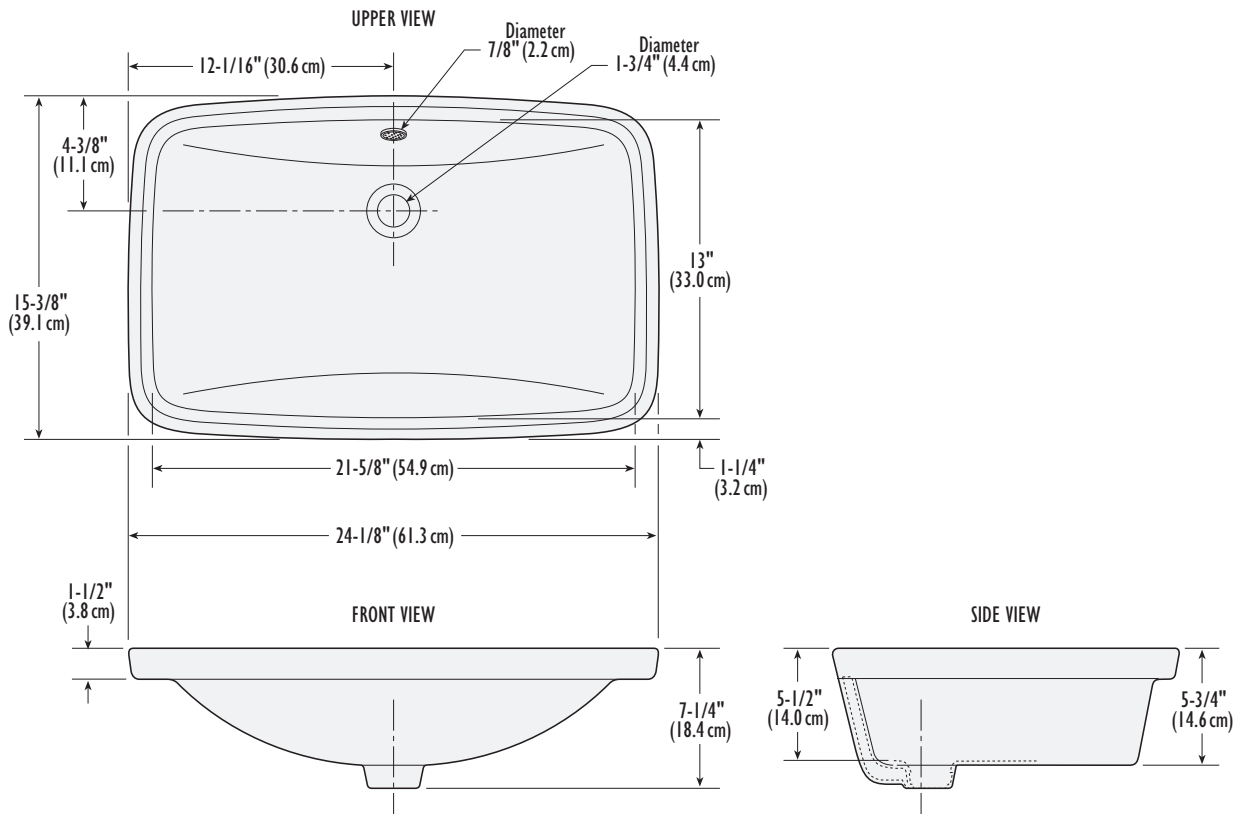
THE PROVEN LEADER
IN FLUSHING PERFORMANCE™

Vortens®


TOSCANA

Model 3370

DIMENSIONS



IMPORTANT: Dimensions of fixtures are nominal and may vary within the range of tolerance established by the standards ASME A112.19.2 / CSA B45.1. These measurements are subject to change or cancellation. No responsibility is assumed for use of superseded or voided pages.

SPECIFICATIONS

3370-V	Basin	20 Lbs.
Dimensions	24-1/8" x 15-3/8" Rectangular	

A.D.A. Lavatory Installation Requirements: Lavatories shall be mounted with rim/counter surface no higher than 34 inches (86.4 cm) above finished floor. Provide a clearance range of 27 - 29 inches (68.6 - 73.7 cm) from the floor to the lavatory bottom or lavatory apron depending upon the type installed. For complete details on installation requirements, see A.D.A. Installation Handbook.

COLORS

02: White

Other: Refer to price book for additional colors/finishes

Color number is indicated between part number and letter suffix (i.e. 3464-02-V)



U.S. CUSTOMER SERVICE
 Toll Free: 866-821-2811
 customerservice@vortens.com
 ussales@vortens.com
 www.vortens.com

CANADIAN CUSTOMER SERVICE
 Toll Free: 866-363-1365
 canadiansales@vortens.com
 www.vortens.com



TRIPOLI

Model 3368



FEATURES

Chrome-Plated Overflow

5-Year Warranty on Vitreous China

V-Gloss™ High-Gloss Vitreous China –
Durable, Nonporous

SPECIFICATIONS

3368-V Basin 14 Lbs.

Dimensions 21" x 13-1/2" Rectangular



Meets ASME A112.19.2 / CSA B45.1
Faucet Not Included

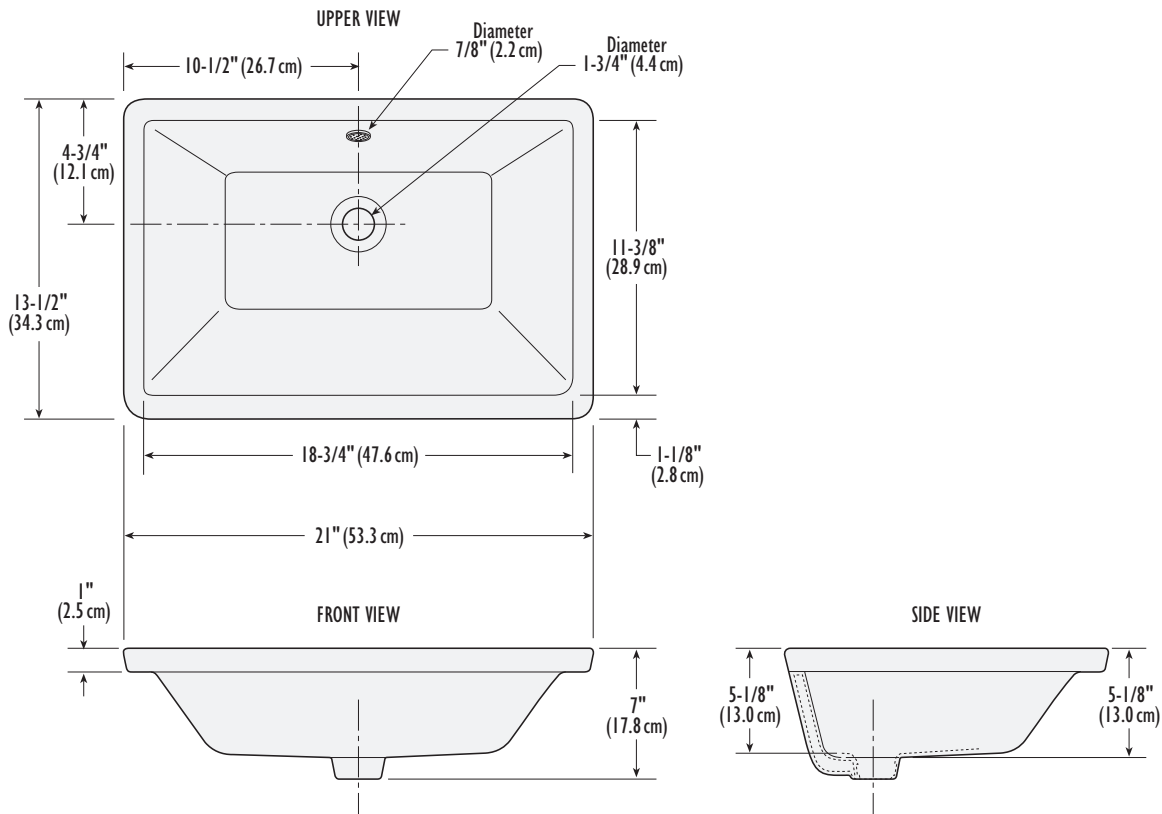
THE PROVEN LEADER
IN FLUSHING PERFORMANCE™

Vortens®
The Vortens logo graphic, which consists of several curved lines that resemble a stylized wave or a series of curved blades.

TRIPOLI

Model 3368

DIMENSIONS



IMPORTANT: Dimensions of fixtures are nominal and may vary within the range of tolerance established by the standards ASME A11.19.2 / CSA B45.1. These measurements are subject to change or cancellation. No responsibility is assumed for use of superseded or voided pages.

SPECIFICATIONS

3368-V	Basin	14 Lbs.
Dimensions		21" x 13-1/2" Rectangular

A.D.A. Lavatory Installation Requirements: Lavatories shall be mounted with rim/counter surface no higher than 34 inches (86.4 cm) above finished floor. Provide a clearance range of 27 - 29 inches (68.6 - 73.7 cm) from the floor to the lavatory bottom or lavatory apron depending upon the type installed. For complete details on installation requirements, see A.D.A. Installation Handbook.

COLORS

02: White

Other: Refer to price book for additional colors/finishes

Color number is indicated between part number and letter suffix (i.e. 3464-02-V)



U.S. CUSTOMER SERVICE
 Toll Free: 866-821-2811
 customerservice@vortens.com
 ussales@vortens.com
 www.vortens.com

CANADIAN CUSTOMER SERVICE
 Toll Free: 866-363-1365
 canadiansales@vortens.com
 www.vortens.com



BERNA ADA

Model 3350



FEATURES

Hidden Front Overflow

Contemporary-Style Lavatory

A.D.A. Compliant

5-Year Warranty on Vitreous China

V-Gloss™ High-Gloss Vitreous China –
Durable, Nonporous

SPECIFICATIONS

3350-V 4" Lavatory 31 Lbs.

Dimensions 22" x 18"



Meets ASME A112.19.2 / CSA B45.1
Faucet Not Included

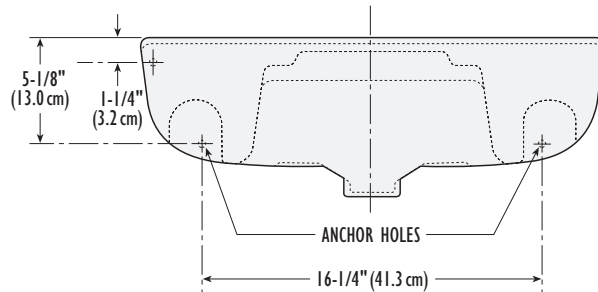
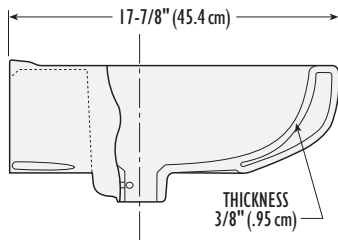
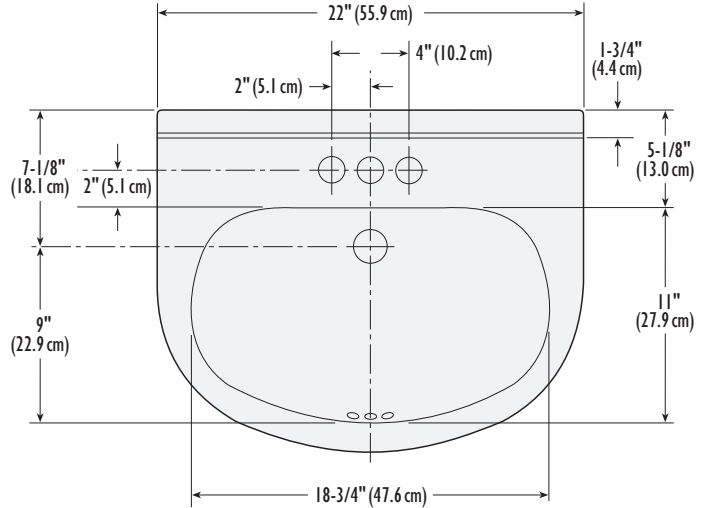
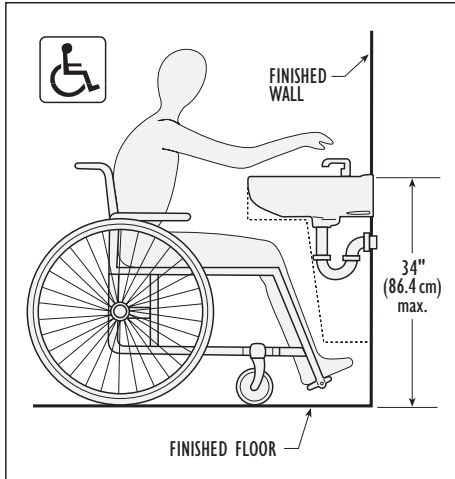
THE PROVEN LEADER
IN FLUSHING PERFORMANCE™

Vortens®


BERNA ADA

Model 3350

DIMENSIONS



SPECIFICATIONS

3350-V	4" Lavatory	31 Lbs.
Dimensions		22" x 18"

IMPORTANT: Dimensions of fixtures are nominal and may vary within the range of tolerance established by the standards ASME A112.19.2 / CSA B45.1. These measurements are subject to change or cancellation. No responsibility is assumed for use of superseded or voided pages.

A.D.A. Lavatory Installation Requirements: Lavatories shall be mounted with rim/counter surface no higher than 34 inches (86.4 cm) above finished floor. Provide a clearance range of 27 - 29 inches (68.6 - 73.7 cm) from the floor to the lavatory bottom or lavatory apron depending upon the type installed. For complete details on installation requirements, see A.D.A. Installation Handbook.

COLORS

02: White

Other: Refer to price book for additional colors/finishes

Color number is indicated between part number and letter suffix (i.e. 3464-02-V)



U.S. CUSTOMER SERVICE
Toll Free: 866-821-2811
customerservice@vortens.com
ussales@vortens.com
www.vortens.com

CANADIAN CUSTOMER SERVICE
Toll Free: 866-363-1365
canadiansales@vortens.com
www.vortens.com



TURIN ADA

Model 3355



FEATURES

Splash-Back Lavatory

Drilled for C.I. Wall Carrier

A.D.A. Compliant

5-Year Warranty on Vitreous China

V-Gloss™ High-Gloss Vitreous China –
Durable, Nonporous

SPECIFICATIONS

3355-V	4" Lavatory	36 Lbs.
3356-V	8" Lavatory	36 Lbs.
3357-V	Single Hole Lavatory	36 Lbs.
Dimensions		22" x 18"



Meets ASME A112.19.2 / CSA B45.1
Faucet Not Included

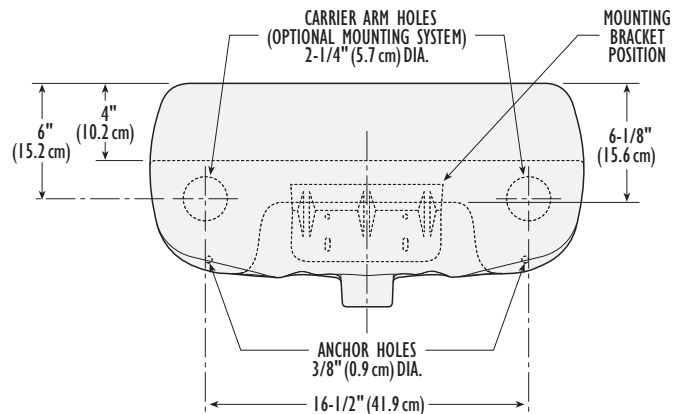
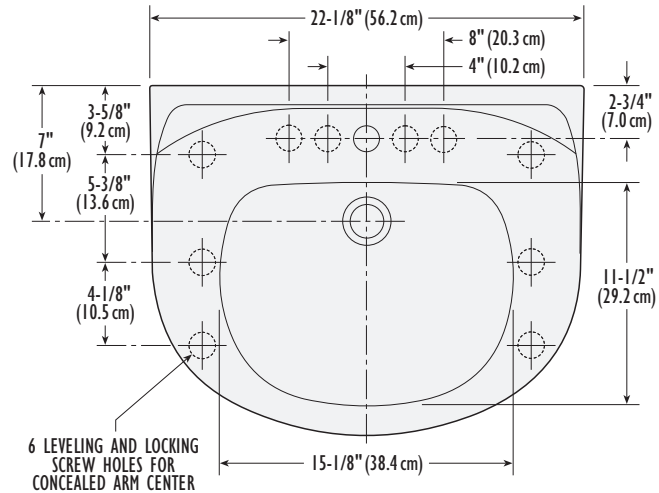
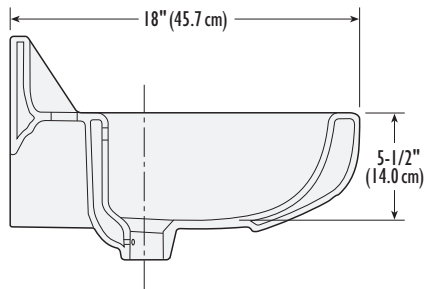
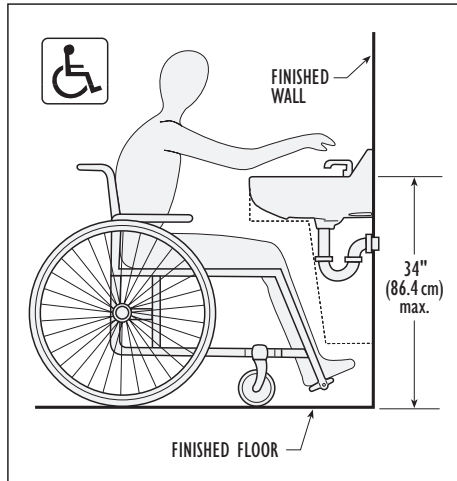
THE PROVEN LEADER
IN FLUSHING PERFORMANCE™



TURIN ADA

Model 3355

DIMENSIONS



SPECIFICATIONS

3355-V	4" Lavatory	36 Lbs.
3356-V	8" Lavatory	36 Lbs.
3357-V	Single Hole Lavatory	36 Lbs.
Dimensions		22" x 18"

IMPORTANT: Dimensions of fixtures are nominal and may vary within the range of tolerance established by the standards ASME A112.19.2 / CSA B45.1. These measurements are subject to change or cancellation. No responsibility is assumed for use of superseded or voided pages.

A.D.A. Lavatory Installation Requirements: Lavatories shall be mounted with rim/counter surface no higher than 34 inches (86.4 cm) above finished floor. Provide a clearance range of 27 - 29 inches (68.6 - 73.7 cm) from the floor to the lavatory bottom or lavatory apron depending upon the type installed. For complete details on installation requirements, see A.D.A. Installation Handbook.

COLORS

02: White

Other: Refer to price book for additional colors/finishes

Color number is indicated between part number and letter suffix (i.e. 3464-02-V)



U.S. CUSTOMER SERVICE
Toll Free: 866-821-2811
customerservice@vortens.com
ussales@vortens.com
www.vortens.com

CANADIAN CUSTOMER SERVICE
Toll Free: 866-363-1365
canadiansales@vortens.com
www.vortens.com



MILAN ADA

Model 3358



FEATURES

Splash-Back Lavatory

Drilled for C.I. Wall Carrier

A.D.A. Compliant

5-Year Warranty on Vitreous China

V-Gloss™ High-Gloss Vitreous China –
Durable, Nonporous

SPECIFICATIONS

3358-V 4" Lavatory 38 Lbs.

Dimensions 20-3/4" x 18-1/4"



Meets ASME A112.19.2 / CSA B45.1
Faucet Not Included

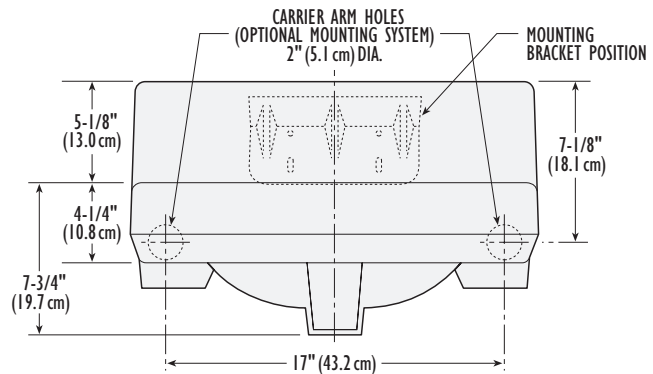
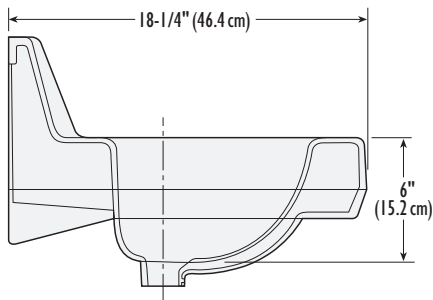
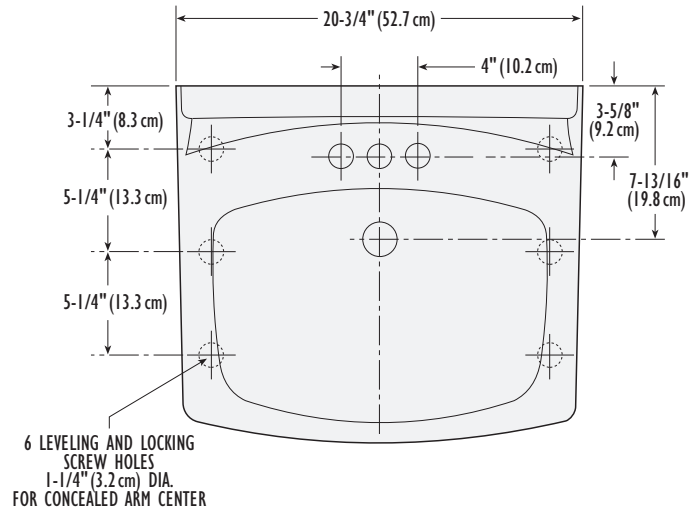
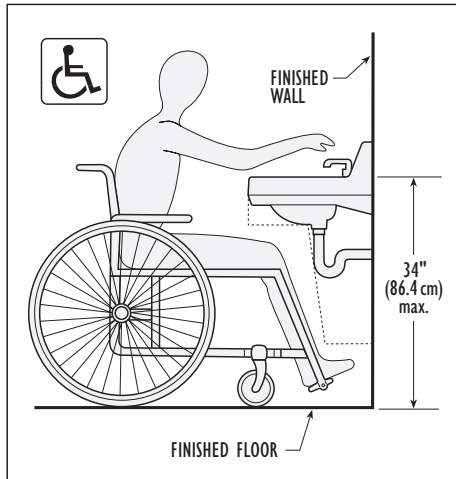
THE PROVEN LEADER
IN FLUSHING PERFORMANCE™

Vortens®

MILAN ADA

Model 3358

DIMENSIONS



SPECIFICATIONS

3358-V	4" Lavatory	38 Lbs.
3359-V	8" Lavatory	38 Lbs.
3360-V	Single Hole Lavatory	38 Lbs.
Dimensions	20-3/4" x 18-1/4"	

IMPORTANT: Dimensions of fixtures are nominal and may vary within the range of tolerance established by the standards ASME A112.19.2 / CSA B45.1. These measurements are subject to change or cancellation. No responsibility is assumed for use of superseded or voided pages.

A.D.A. Lavatory Installation Requirements: Lavatories shall be mounted with rim/counter surface no higher than 34 inches (86.4 cm) above finished floor. Provide a clearance range of 27 - 29 inches (68.6 - 73.7 cm) from the floor to the lavatory bottom or lavatory apron depending upon the type installed. For complete details on installation requirements, see A.D.A. Installation Handbook.

COLORS

02: White

Other: Refer to price book for additional colors/finishes

Color number is indicated between part number and letter suffix (i.e. 3464-02-V)



U.S. CUSTOMER SERVICE
Toll Free: 866-821-2811
customerservice@vortens.com
ussales@vortens.com
www.vortens.com

CANADIAN CUSTOMER SERVICE
Toll Free: 866-363-1365
canadiansales@vortens.com
www.vortens.com



CIVIC

Model 3596



FEATURES

Hidden Front Overflow

5-Year Warranty on Vitreous China

V-Gloss™ High-Gloss Vitreous China –
Durable, Nonporous

SPECIFICATIONS

3596-V 4" Lavatory 20 Lbs.

Dimensions 18-7/8" x 15" Oval

Meets ASME A112.19.2 / CSA B45.1
Faucet Not Included

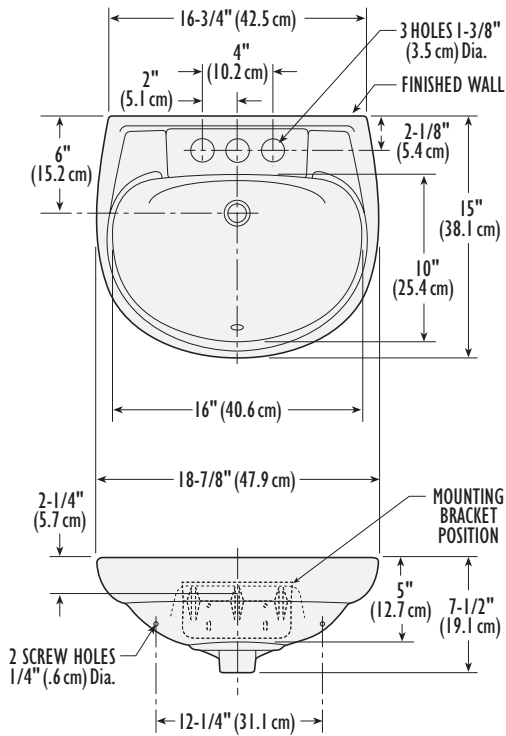
THE PROVEN LEADER
IN FLUSHING PERFORMANCE™



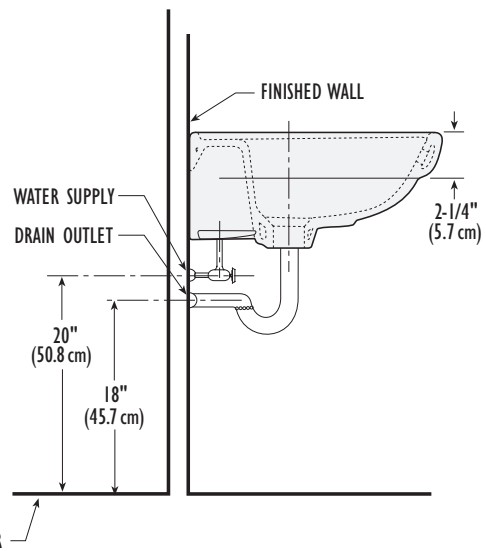
CIVIC

Model 3596

DIMENSIONS



IMPORTANT: Dimensions of fixtures are nominal and may vary within the range of tolerance established by the standards ASME A112.19.2 / CSA B45.1. These measurements are subject to change or cancellation. No responsibility is assumed for use of superseded or voided pages.



SPECIFICATIONS

3596-V	4" Lavatory	20 Lbs.
Dimensions		18-7/8" x 15" Oval

COLORS

02: White

Other: Refer to price book for additional colors/finishes

Color number is indicated between part number and letter suffix (i.e. 3464-02-V)



U.S. CUSTOMER SERVICE
 Toll Free: 866-821-2811
 customerservice@vortens.com
 ussales@vortens.com
 www.vortens.com

CANADIAN CUSTOMER SERVICE
 Toll Free: 866-363-1365
 canadiansales@vortens.com
 www.vortens.com



Vortens®

ALL PERFORMANCE.
NO PROBLEMS.



COMMERCIAL
FIXTURES

THE PROVEN LEADER
IN FLUSHING PERFORMANCE™

VIENNA ADA FLUX HET

Model 3114



FEATURES

2-1/8" Fully Glazed Trapway –
Passes a 2" Ball

High-Efficiency Toilet (HET) with
Powerful 1.28 gpf/4.8 lpf Flush

Can be Used with 1.6 gpf/6.0 lpf
Flush Valve

Powerful Jet Flush

Flushes 1,000 grams of solids*

Equipped with – 1-1/2" Brass Top Spud

Extra-Large 10" x 12" Water Surface

A.D.A. Compliant – 17" High

5-Year Warranty on Vitreous China

V-Gloss™ High-Gloss Vitreous China –
Durable, Nonporous

Bowl Shape Compatible with Bemis®
I955CT Toilet Seat

SPECIFICATIONS

3114-V 10" Rough-In Bowl 51 Lbs.



Meets ASME A112.19.2 / CSA B45.1
Seat and Flush Valve Not Included

*per MaP test

THE PROVEN LEADER
IN FLUSHING PERFORMANCE™

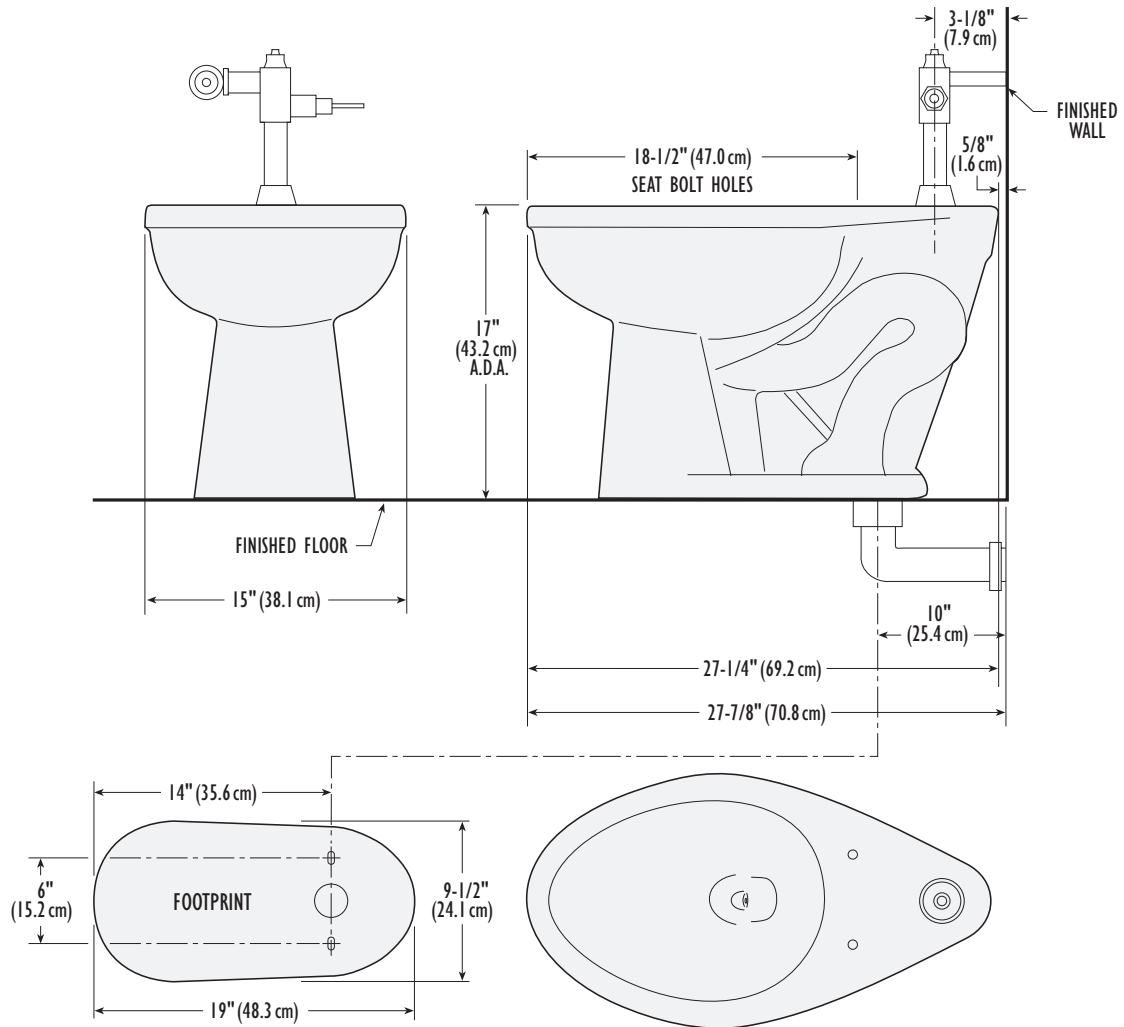
Vortens®


VIENNA ADA FLUX HET

Model 3114

DIMENSIONS

IMPORTANT: Dimensions of fixtures are nominal and may vary within the range of tolerance established by the standards ASME A112.19.2 / CSA B45.1. These measurements are subject to change or cancellation. No responsibility is assumed for use of superseded or voided pages.



SPECIFICATIONS

3114-V 10" Rough-In Bowl 51 Lbs.

COLORS

02: White

Other: Refer to price book for additional colors/finishes

Color number is indicated between part number and letter suffix (i.e. 3464-02-V)



U.S. CUSTOMER SERVICE
Toll Free: 866-821-2811
customerservice@vortens.com
ussales@vortens.com
www.vortens.com

CANADIAN CUSTOMER SERVICE
Toll Free: 866-363-1365
canadiansales@vortens.com
www.vortens.com



VIENNA EL FLUX HET

Model 3115



FEATURES

2-1/8" Fully Glazed Trapway –
Passes a 2" Ball

High-Efficiency Toilet (HET) with
Powerful 1.28 gpf/4.8 lpf Flush

Can be Used with 1.6 gpf/6.0 lpf
Flush Valve

Powerful Jet Flush

Flushes 1,000 grams of solids*

Equipped with – 1-1/2" Brass Top Spud

Extra-Large 10" x 12" Water Surface

5-Year Warranty on Vitreous China

V-Gloss™ High-Gloss Vitreous China –
Durable, Nonporous

Bowl Shape Compatible with Bemis®
1955CT Toilet Seat

SPECIFICATIONS

3115-V 10" Rough-In Bowl 46 Lbs.



Meets ASME A112.19.2 / CSA B45.1
Seat and Flush Valve Not Included

*per MaP test

THE PROVEN LEADER
IN FLUSHING PERFORMANCE™

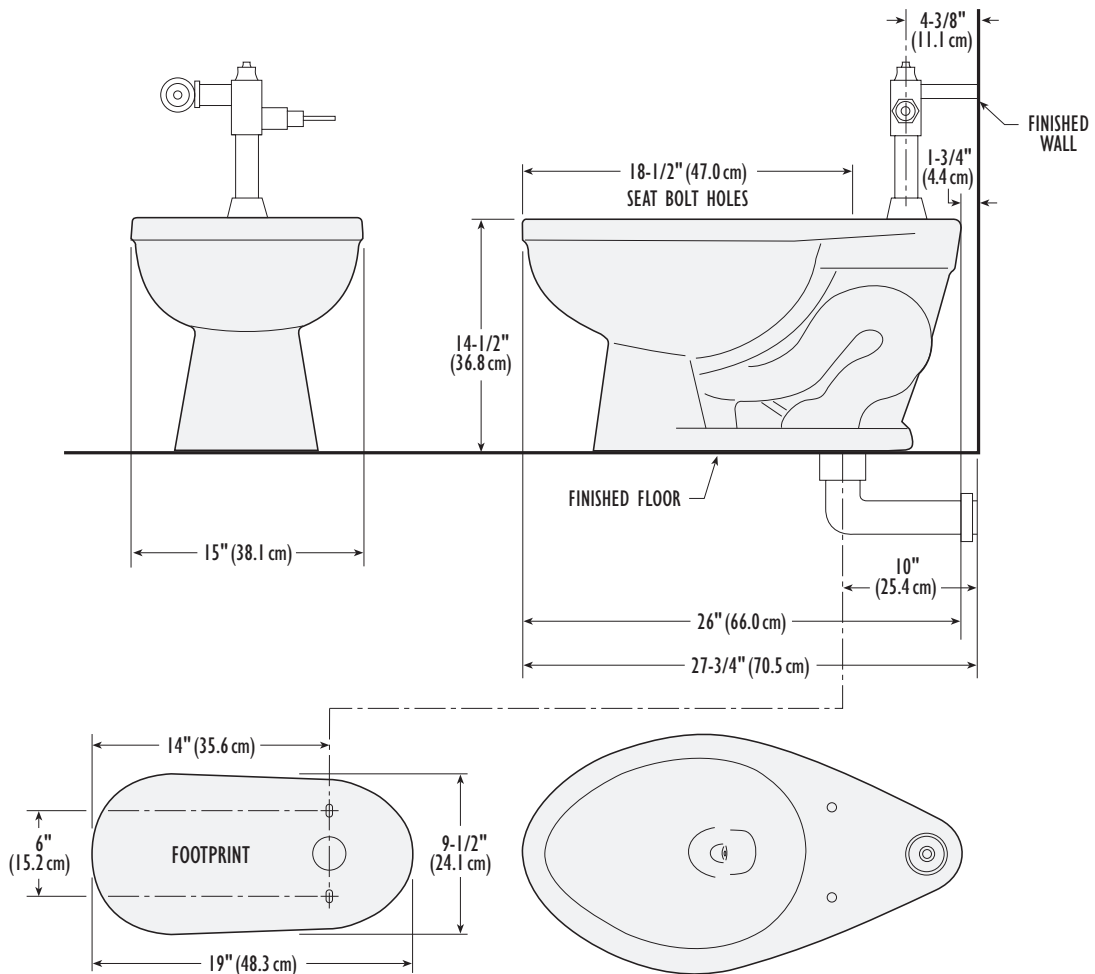
Vortens®


VIENNA EL FLUX HET

Model 3115

DIMENSIONS

IMPORTANT: Dimensions of fixtures are nominal and may vary within the range of tolerance established by the standards ASME A112.19.2 / CSA B45.1. These measurements are subject to change or cancellation. No responsibility is assumed for use of superseded or voided pages.



SPECIFICATIONS

3115-V 10" Rough-In Bowl 46 Lbs.

COLORS

02: White

Other: Refer to price book for additional colors/finishes

Color number is indicated between part number and letter suffix (i.e. 3464-02-V)



U.S. CUSTOMER SERVICE
Toll Free: 866-821-2811
customerservice@vortens.com
ussales@vortens.com
www.vortens.com

CANADIAN CUSTOMER SERVICE
Toll Free: 866-363-1365
canadiansales@vortens.com
www.vortens.com



ATENAS ADA FLUX HET

Model 3108



FEATURES

2-1/8" Fully Glazed Trapway –
Passes a 2" Ball

High-Efficiency Toilet (HET) with
Powerful 1.28 gpf/4.8 lpf Flush

Can be Used with 1.6 gpf/6.0 lpf
Flush Valve

Powerful Siphon Jet Flushing Action

Flushes 1,000 grams of solids*

Equipped with – 1-1/2" Brass Top Spud

Extra-Large 9" x 9-1/2" Water Surface

A.D.A. Compliant

5-Year Warranty on Vitreous China

V-Gloss™ High-Gloss Vitreous China –
Durable, Nonporous

Bowl Shape Compatible with Bemis®
I955CT Toilet Seat

SPECIFICATIONS

3108-V Elongsted Bowl 51 Lbs.



Meets ASME A112.19.2 / CSA B45.1
Seat and Flush Valve Not Included

*per MaP test

THE PROVEN LEADER
IN FLUSHING PERFORMANCE™

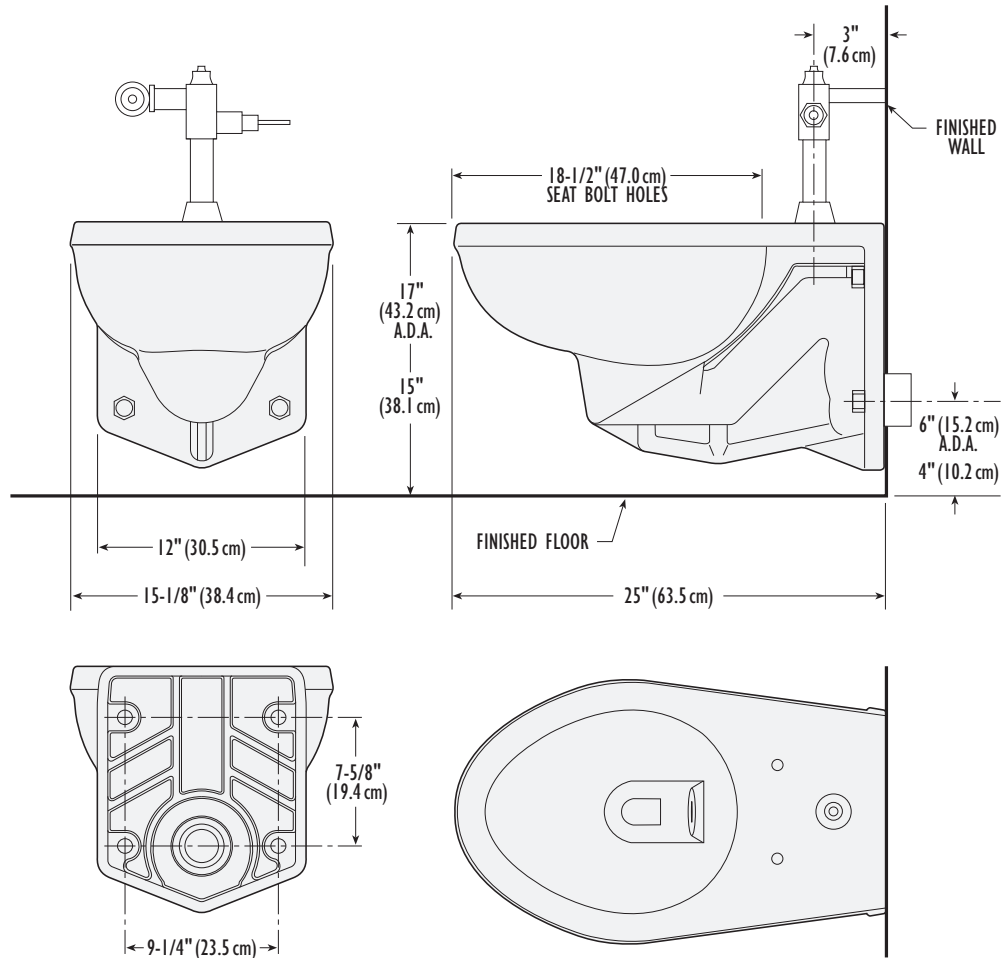
Vortens®

ATENAS ADA FLUX HET

Model 3108

DIMENSIONS

IMPORTANT: Dimensions of fixtures are nominal and may vary within the range of tolerance established by the standards ASME A112.19.2 / CSA B45.1. These measurements are subject to change or cancellation. No responsibility is assumed for use of superseded or voided pages.



SPECIFICATIONS

3108-V Elongated Bowl 51 Lbs.

COLORS

02: White

Other: Refer to price book for additional colors/finishes

Color number is indicated between part number and letter suffix (i.e. 3464-02-V)



U.S. CUSTOMER SERVICE
Toll Free: 866-821-2811
customerservice@vortens.com
ussales@vortens.com
www.vortens.com

CANADIAN CUSTOMER SERVICE
Toll Free: 866-363-1365
canadiansales@vortens.com
www.vortens.com



TRENTO ADA FLUX HET

Model 3145



FEATURES

2-1/8" Fully Glazed Trapway –
Passes a 2" Ball

High-Efficiency Toilet (HET) with
Powerful 1.28 gpf/4.8 lpf Flush

Can be Used with 1.6 gpf/6.0 lpf
Flush Valve

Powerful Jet Flush

Flushes 1,000 grams of solids

Extra-Large 10" x 12" Water Surface

Extra-Large Footprint

Ideal Height™ A.D.A. Compliant –
16-1/2" High

5-Year Warranty on Vitreous China

V-Gloss™ High-Gloss Vitreous China –
Durable, Nonporous

Bowl Shape Compatible with Bemis®
1955CT & 1800 Toilet Seats

SPECIFICATIONS

3145-V Elongated Bowl 62 Lbs.



Meets ASME A112.19.2 / CSA B45.1
Seat and Flush Valve Not Included

THE PROVEN LEADER
IN FLUSHING PERFORMANCE™

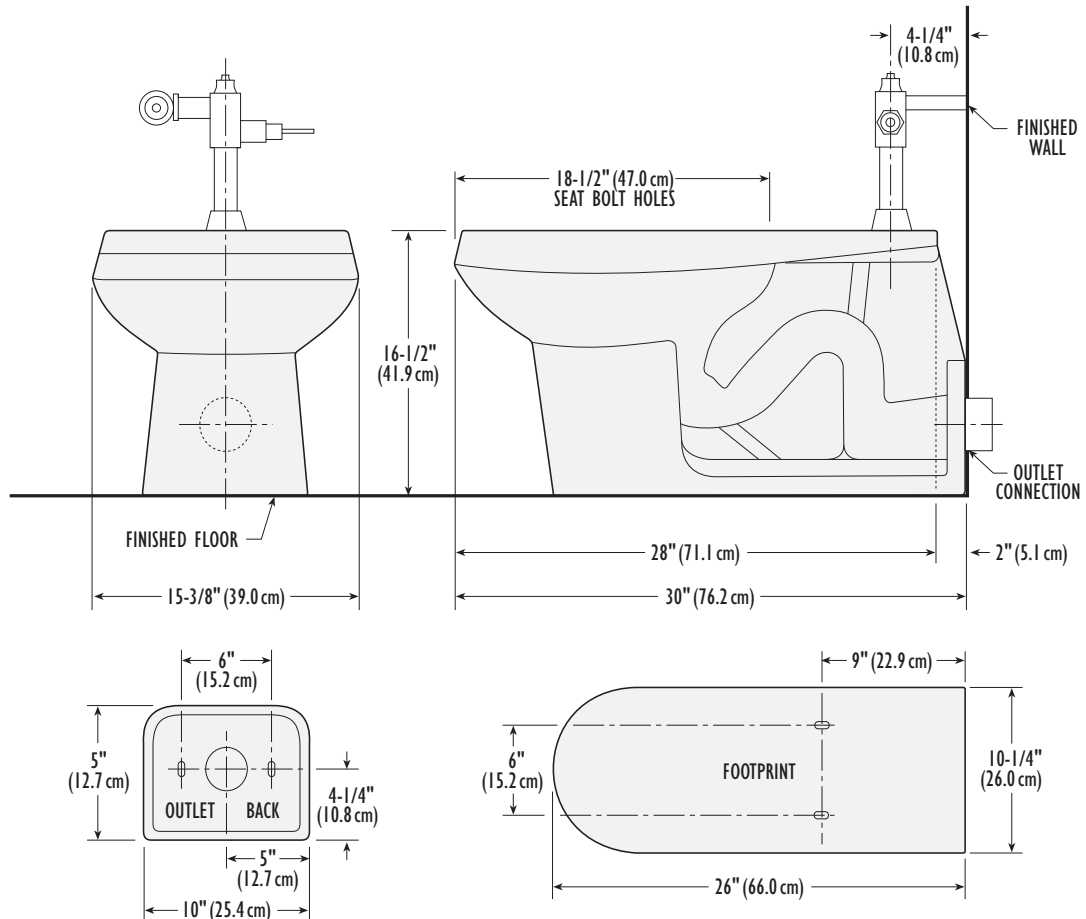
Vortens®


TRENTO ADA FLUX HET

Model 3145

DIMENSIONS

IMPORTANT: Dimensions of fixtures are nominal and may vary within the range of tolerance established by the standards ASME A112.19.2 / CSA B45.1. These measurements are subject to change or cancellation. No responsibility is assumed for use of superseded or voided pages.



SPECIFICATIONS

3145-V Elongated Bowl 62 Lbs.

COLORS

02: White

Other: Refer to price book for additional colors/finishes

Color number is indicated between part number and letter suffix (i.e. 3464-02-V)



U.S. CUSTOMER SERVICE
Toll Free: 866-821-2811
customerservice@vortens.com
ussales@vortens.com
www.vortens.com

CANADIAN CUSTOMER SERVICE
Toll Free: 866-363-1365
canadiansales@vortens.com
www.vortens.com



TRENTO ADA HET

Model 3144-3471



FEATURES

2-1/8" Fully Glazed Trapway –
Passes a 2" Ball

High-Efficiency Toilet (HET) with
Powerful Pressure-Assist
1.28 gpf/ 4.8 lpf Flush

Extra-Quiet Flushing Action

Equipped with Sloan Flushmate® IV

Flushes 1,000 grams of solids

Extra-Large 10" x 12" Water Surface

Extra-Large Footprint

Ideal Height™ A.D.A. Compliant –
16-1/2" High

5-Year Warranty on Vitreous China

V-Gloss™ High-Gloss Vitreous China –
Durable, Nonporous

Bowl Shape Compatible with Bemis®
1955CT & 1800 Toilet Seats

SPECIFICATIONS

3144-V Elongated Bowl 64 Lbs.

3471-V 12" Rough-In Tank 37 Lbs.

See other side for additional options



Meets ASME A112.19.2 / CSA B45.1
Seat Not Included

THE PROVEN LEADER
IN FLUSHING PERFORMANCE™

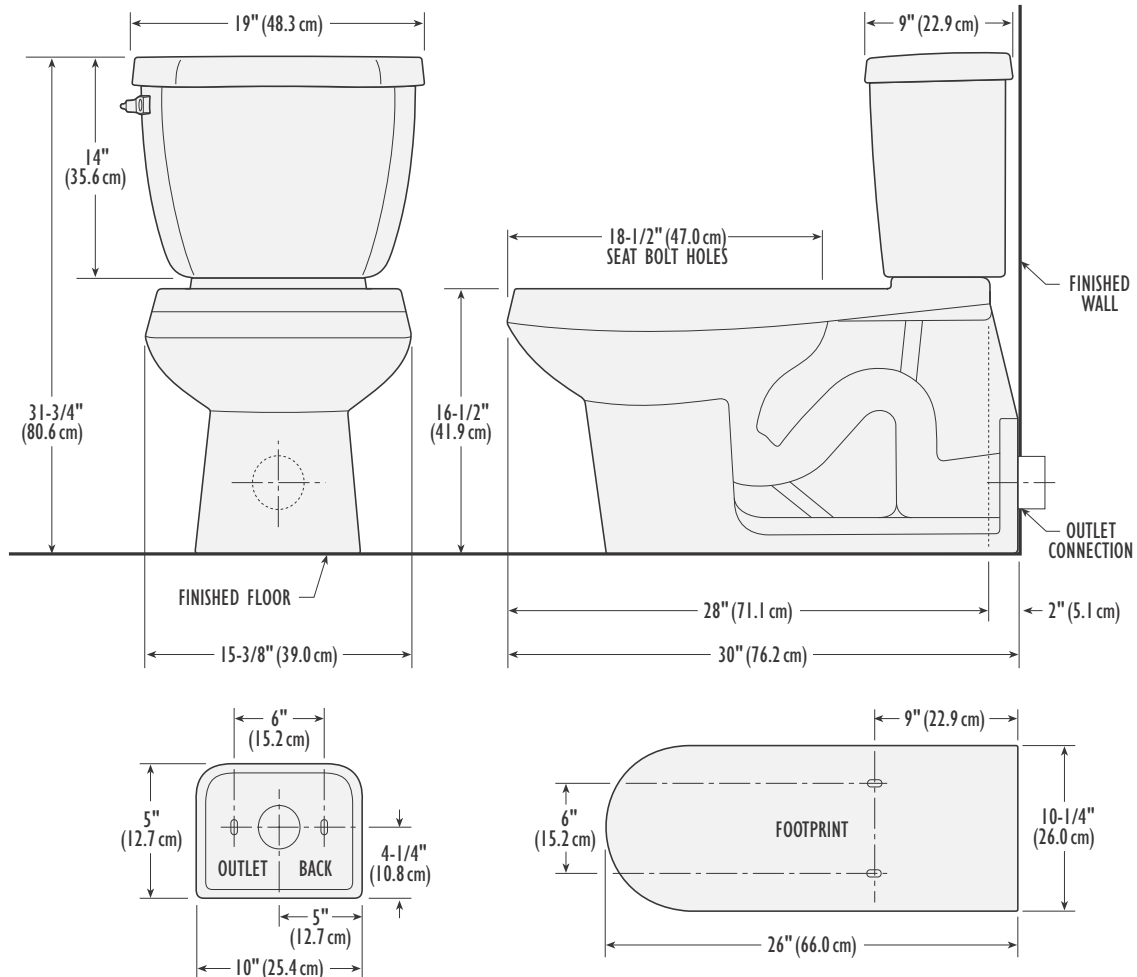
Vortens®


TRENTO ADA HET

Model 3144-3471

DIMENSIONS

IMPORTANT: Dimensions of fixtures are nominal and may vary within the range of tolerance established by the standards ASME A112.19.2 / CSA B45.1. These measurements are subject to change or cancellation. No responsibility is assumed for use of superseded or voided pages.



SPECIFICATIONS

3144-V	Elongated Bowl	64 Lbs.
3471-V	12" Rough-In Tank 1.28 gpf/4.8 lpf Flush	37 Lbs.
3478-V	12" Right-Hand Tank 1.28 gpf/4.8 lpf Flush	37 Lbs.
3468-V	12" Rough-In Tank 1.6 gpf/6.0 lpf Flush	37 Lbs.
3470-V	12" Right-Hand Tank 1.6 gpf/6.0 lpf Flush	37 Lbs.

COLORS

02: White

Other: Refer to price book for additional colors/finishes

Color number is indicated between part number and letter suffix (i.e. 3464-02-V)



U.S. CUSTOMER SERVICE
 Toll Free: 866-821-2811
 customerservice@vortens.com
 ussales@vortens.com
 www.vortens.com

CANADIAN CUSTOMER SERVICE
 Toll Free: 866-363-1365
 canadiansales@vortens.com
 www.vortens.com



VERONA ADA HEU

Model 3621

1 PINT



FEATURES

Ultra Efficient 1 Pint 0.125 gpf/0.5 lpf
or 0.5 gpf/ 1.9 lpf

Can be Used with 1.0 gpf/3.8 lpf
Flush Valve

Equipped with – 3/4" Brass Top Spud
& 2" Brass Outlet

A.D.A. Compliant

5-Year Warranty on Vitreous China

V-Gloss™ High-Gloss Vitreous China –
Durable, Nonporous

SPECIFICATIONS

3621-V High-Efficiency Urinal 52 Lbs.



Meets ASME A112.19.2 / CSA B45.1
Flush Valve Not Included

THE PROVEN LEADER
IN FLUSHING PERFORMANCE™

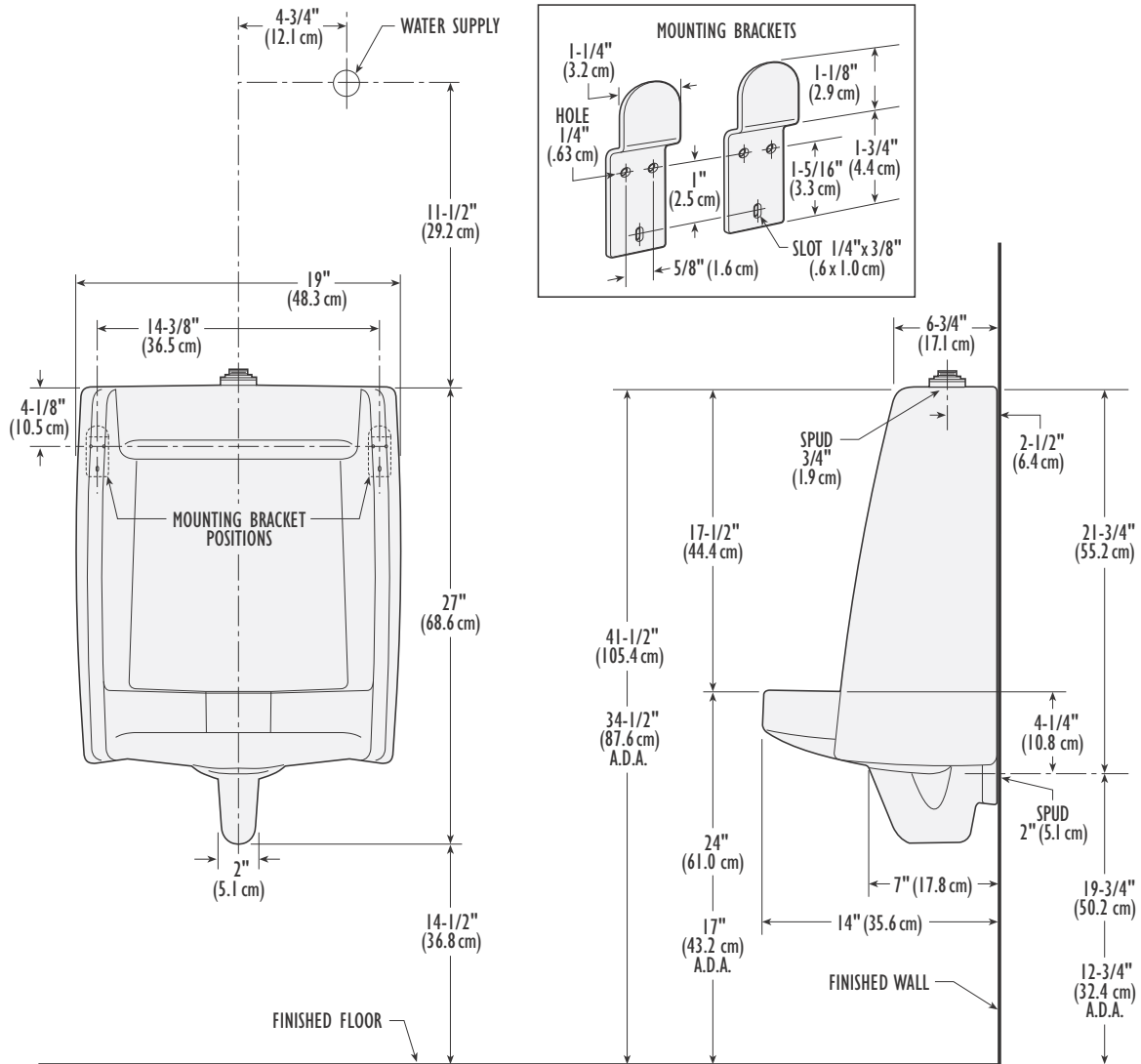
Vortens®

VERONA ADA HEU

Model 3621

DIMENSIONS

IMPORTANT: Dimensions of fixtures are nominal and may vary within the range of tolerance established by the standards ASME A112.19.2 / CSA B45.1. These measurements are subject to change or cancellation. No responsibility is assumed for use of superseded or voided pages.



SPECIFICATIONS

3621-V High-Efficiency Urinal 52 Lbs.

COLORS

02: White

Other: Refer to price book for additional colors/finishes

Color number is indicated between part number and letter suffix (i.e. 3464-02-V)



U.S. CUSTOMER SERVICE
Toll Free: 866-821-2811
customerservice@vortens.com
ussales@vortens.com
www.vortens.com

CANADIAN CUSTOMER SERVICE
Toll Free: 866-363-1365
canadiansales@vortens.com
www.vortens.com



AUSTRAL ADA HEU

Model 3601

1 PINT



FEATURES

Ultra Efficient 1 Pint 0.125 gpf/0.5 lpf
or 0.5 gpf/ 1.9 lpf

Integral Trap

Equipped with – 3/4" Brass Top Spud
& 2" Brass Outlet

A.D.A. Compliant

5-Year Warranty on Vitreous China

V-Gloss™ High-Gloss Vitreous China –
Durable, Nonporous

SPECIFICATIONS

3601-V High-Efficiency Urinal 35 Lbs.



Meets ASME A112.19.2 / CSA B45.1
Flush Valve Not Included

THE PROVEN LEADER
IN FLUSHING PERFORMANCE™

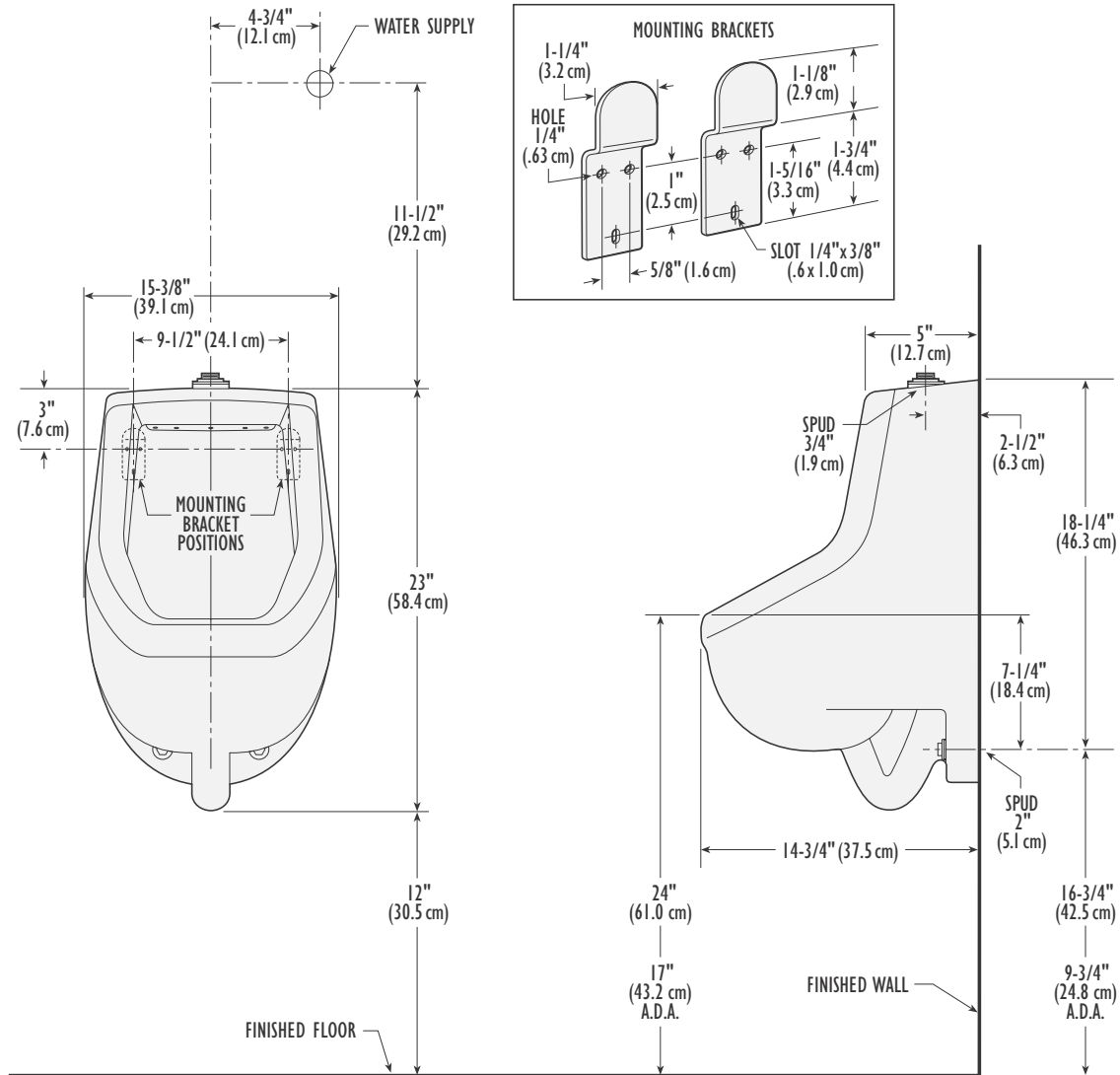
Vortens®

AUSTRAL ADA HEU

Model 3601

DIMENSIONS

IMPORTANT: Dimensions of fixtures are nominal and may vary within the range of tolerance established by the standards ASME A112.19.2 / CSA B45.1. These measurements are subject to change or cancellation. No responsibility is assumed for use of superseded or voided pages.



SPECIFICATIONS

3601-V High-Efficiency Urinal 35 Lbs.

COLORS

02: White

Other: Refer to price book for additional colors/finishes

Color number is indicated between part number and letter suffix (i.e. 3464-02-V)



U.S. CUSTOMER SERVICE
Toll Free: 866-821-2811
customerservice@vortens.com
ussales@vortens.com
www.vortens.com

CANADIAN CUSTOMER SERVICE
Toll Free: 866-363-1365
canadiansales@vortens.com
www.vortens.com



KYOTO ADA

Model 3630



FEATURES

Efficient 1.0 gpf / 3.8 lpf

Integral Trap

Equipped with – 3/4" Brass Top Spud
& 2" Bottom Spud

A.D.A. Compliant

5-Year Warranty on Vitreous China

V-Gloss™ High-Gloss Vitreous China –
Durable, Nonporous

SPECIFICATIONS

3630-V Urinal

41 Lbs.



Meets ASME A112.19.2 / CSA B45.1
Flush Valve Not Included

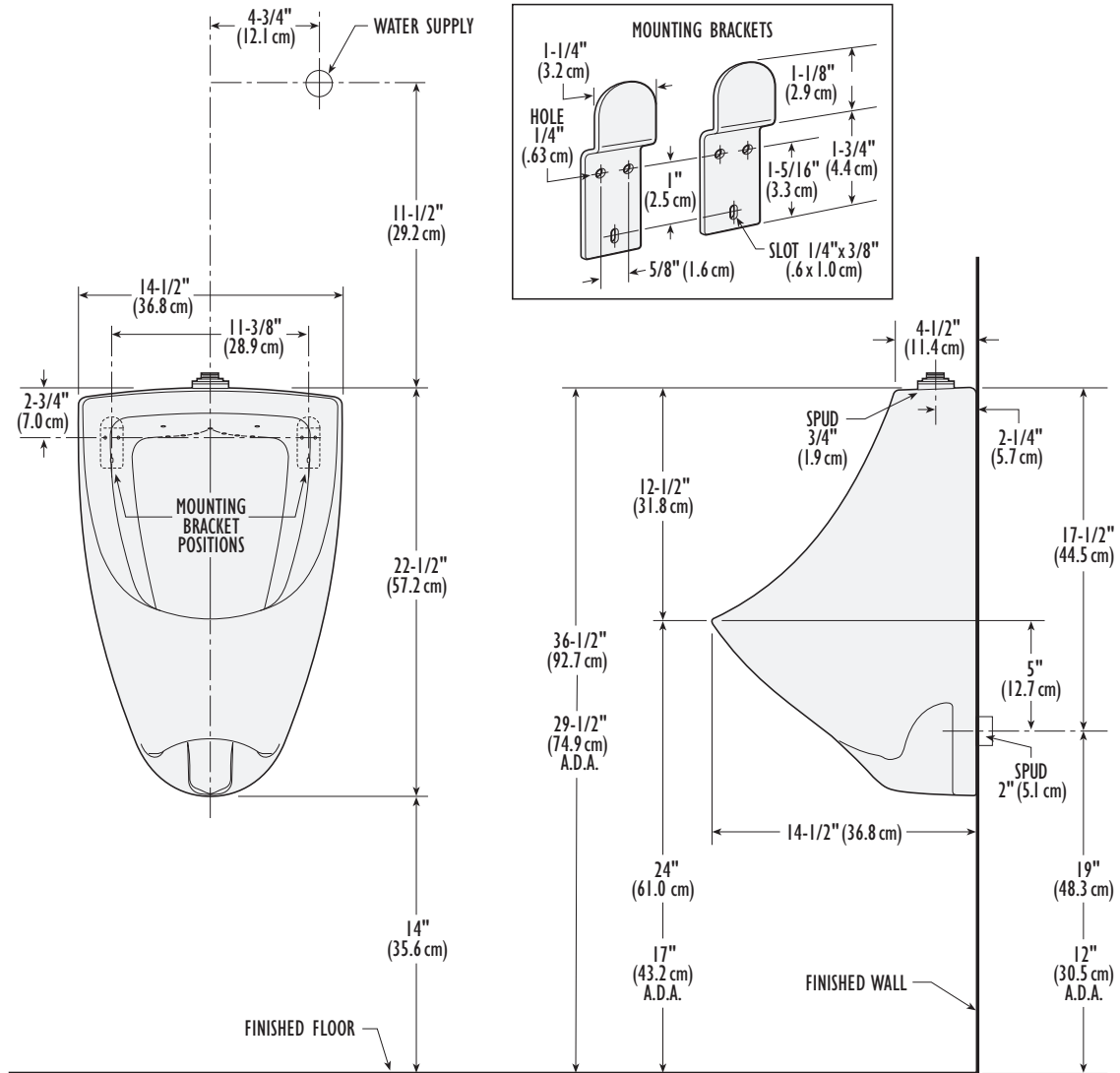
THE PROVEN LEADER
IN FLUSHING PERFORMANCE™

Vortens®
The Vortens logo graphic consists of several curved, horizontal lines that sweep upwards and to the right, creating a sense of motion or a stylized 'V' shape.

KYOTO ADA

Model 3630

DIMENSIONS



SPECIFICATIONS

3630-V Urinal 41 Lbs.

COLORS

02: White

Other: Refer to price book for additional colors/finishes

Color number is indicated between part number and letter suffix (i.e. 3464-02-V)



U.S. CUSTOMER SERVICE
 Toll Free: 866-821-2811
 customerservice@vortens.com
 ussales@vortens.com
 www.vortens.com

CANADIAN CUSTOMER SERVICE
 Toll Free: 866-363-1365
 canadiansales@vortens.com
 www.vortens.com



KYOTO KAI ADA

Model 3631



FEATURES

Efficient 1.0 gpf / 3.8 lpf

Integral Trap

Equipped with – 3/4" Brass Top Spud
& 2" Bottom Spud

A.D.A. Compliant

5-Year Warranty on Vitreous China

V-Gloss™ High-Gloss Vitreous China –
Durable, Nonporous

SPECIFICATIONS

3631-V Urinal

51 Lbs.



Meets ASME A112.19.2 / CSA B45.1
Flush Valve Not Included

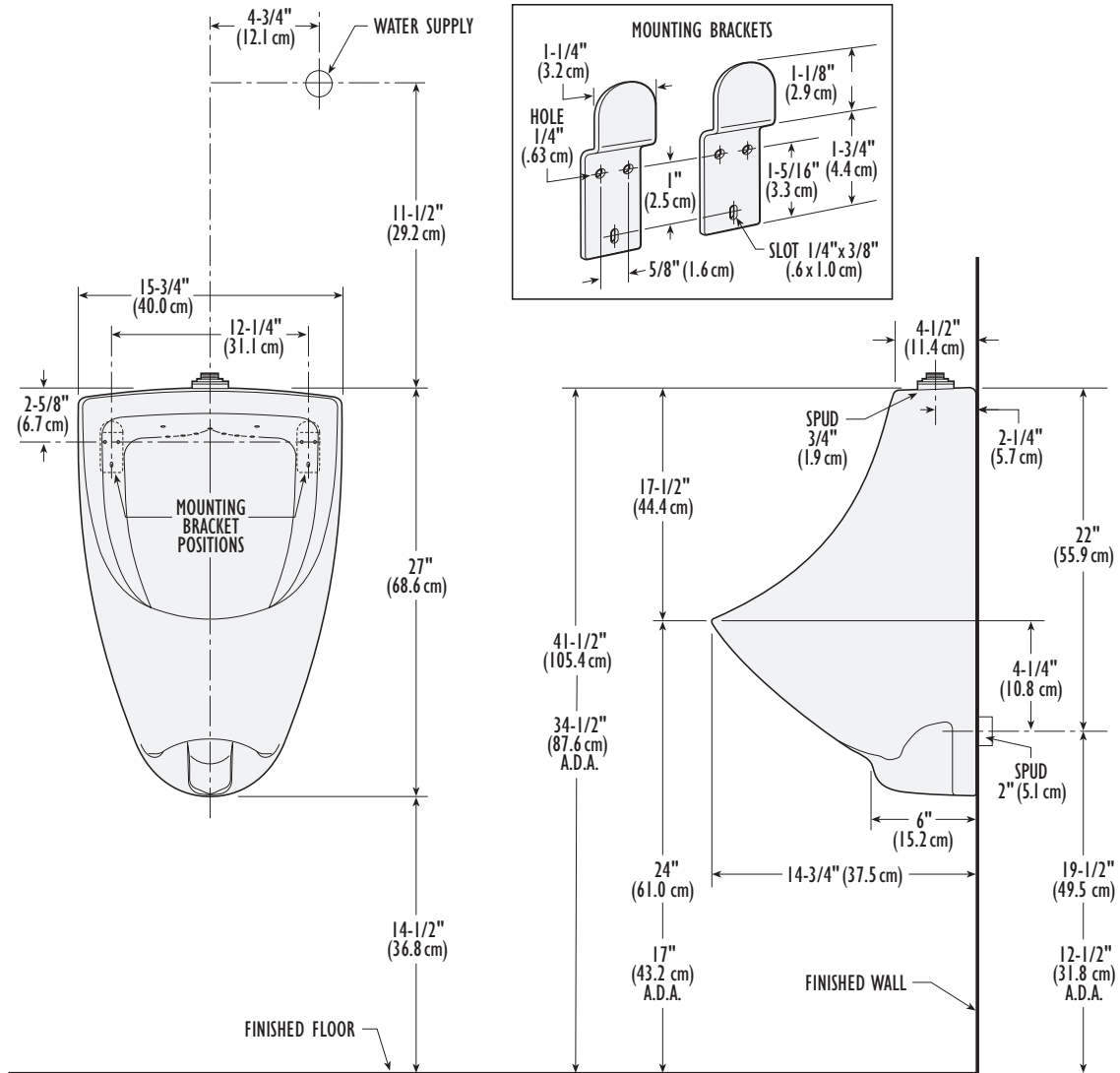
THE PROVEN LEADER
IN FLUSHING PERFORMANCE™

Vortens®


KYOTO KAI ADA

Model 3631

DIMENSIONS



SPECIFICATIONS

3631-V Urinal 51 Lbs.

COLORS

02: White

Other: Refer to price book for additional colors/finishes

Color number is indicated between part number and letter suffix (i.e. 3464-02-V)



U.S. CUSTOMER SERVICE
 Toll Free: 866-821-2811
 customerservice@vortens.com
 ussales@vortens.com
 www.vortens.com

CANADIAN CUSTOMER SERVICE
 Toll Free: 866-363-1365
 canadiansales@vortens.com
 www.vortens.com

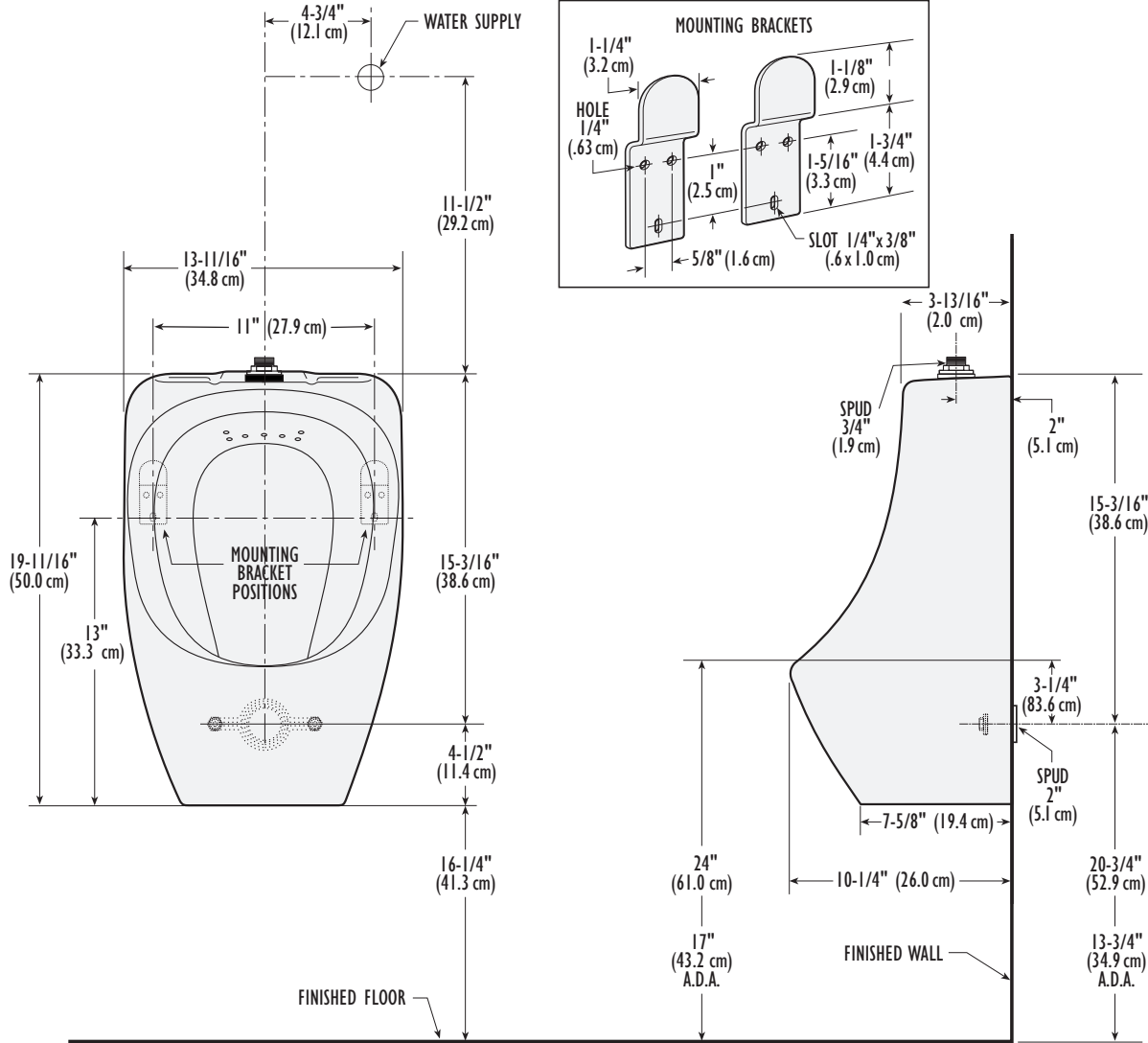


DERBY

Model 3640

DIMENSIONS

IMPORTANT: Dimensions of fixtures are nominal and may vary within the range of tolerance established by the standards ASME A112.19.2 / CSA B45.1. These measurements are subject to change or cancellation. No responsibility is assumed for use of superseded or voided pages.



SPECIFICATIONS

3640-V Urinal 31 Lbs.

COLORS

02: White

Other: Refer to price book for additional colors/finishes

Color number is indicated between part number and letter suffix (i.e. 3464-02-V)



U.S. CUSTOMER SERVICE
 Toll Free: 866-821-2811
 customerservice@vortens.com
 ussales@vortens.com
 www.vortens.com

CANADIAN CUSTOMER SERVICE
 Toll Free: 866-363-1365
 canadiansales@vortens.com
 www.vortens.com

