

# Submittal Package

**viega**



## Viega PEX Press Zero Lead Fittings with Attached Sleeves For Use with Viega PureFlow Tubing

**Project:**

**Engineer:**

**Contractor:**

**Submitted By:**

- Potable Water
- Residential Fire Sprinkler
- Other \_\_\_\_\_

# Submittal Package



## Viega PEX Press Zero Lead Fittings with Attached Sleeves For Use with Viega PureFlow Tubing

### Technical Data

#### Materials:

Fittings .....	Zero Lead Bronze alloy
Press Sleeves .....	304 Stainless Steel
MANABLOC Manifolds .....	Zero Lead Bronze alloy Fittings
ViegaPEX, ViegaPEX Ultra Tubing .....	PEX (crosslinked polyethylene)
FostaPEX Tubing .....	PEX base tubing with aluminum and PE outer layers

### Applications

Zero Lead Bronze alloy fittings are intended for use in potable water systems, heating or snow melting applications and residential fire sprinkler systems meeting the NFPA 13D.\* Zero Lead Bronze is dezincification resistant, resists aggressive water conditions and can be directly buried in soil (fittings used for repairs in concrete should be wrapped). These fittings with attached sleeves incorporate a color-coded tool locator ring that matches Viega's hand PEX Press tool colors. Fittings are manufactured with PureFlow PEX Press barbs for use with ViegaPEX, ViegaPEX Ultra, FostaPEX, ViegaPEX Barrier tubing and tools.

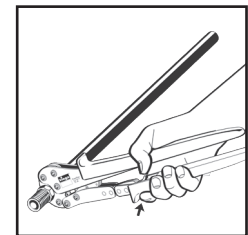
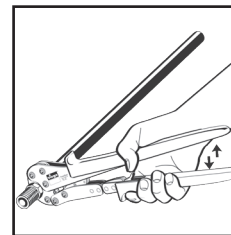
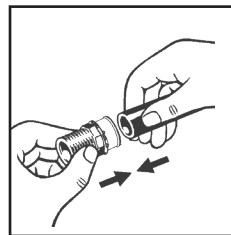
### Installation

- Use only PureFlow tubing and approved tools to make connections
  - Keep flame and excessive heat away from tubing and connections.
  - Refer to the PureFlow Installation Manual for additional information.
- ZERO LEAD identifies Viega products meeting the lead free requirements of California and Vermont law, effective January 1, 2010, as tested and listed against NSF- 61, Annex G

\* ViegaPEX Ultra Black in 3/4" through 2" sizes only.

### Codes Approvals & Standards

- UL 1821\*
- cNSF® us-pw-G
- CSA B137.5
- U.P. Code
- ASTM F876 / F877
- ICC ES-PMG™ 1015/1038



THREE SIMPLE STEPS TO A SECURE PEX PRESS PUREFLOW FITTING CONNECTION.

- 1 INSERT PEX PRESS FITTING WITH ATTACHED SLEEVE INTO TUBING AND ENGAGE FULLY. TUBING SHOULD BE VISIBLE THROUGH VIEW HOLES.
- 2 POSITION PRESS TOOL PERPENDICULAR OVER PRESS SLEEVE AND CLOSE TOOL JAWS TO ENGAGE RATCHET.
- 3 CLOSE HANDLES, USING TRIGGER TO REDUCE GRIP SPAN IF DESIRED.

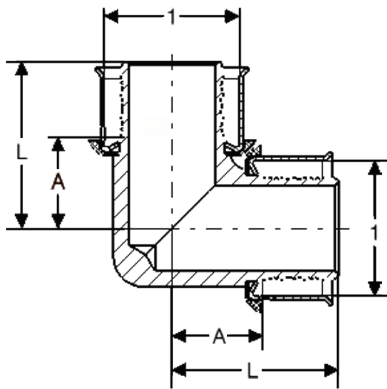
Note: Use of a Viega power tool is required for making 1-1/4" and larger connections, refer to the current PureFlow water systems installation manual for additional pressing information.



# Submittal Package

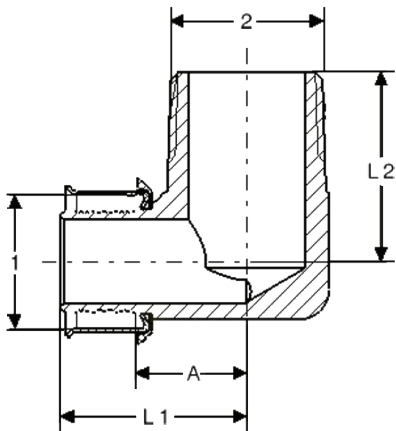
**viega**

## Viega PEX Press Zero Lead Fittings with Attached Sleeves



PEX Press Elbows

Part No	Dimensions 1	A (in)	L (in)
93520	1/2"	0.469	0.965
93530	5/8"	0.594	1.091
93540	3/4"	0.594	1.091
93560	1"	0.878	1.496
93570	1 1/4"	0.945	1.811
93580	1 1/2"	1.142	2.008
93590	2"	1.331	2.382

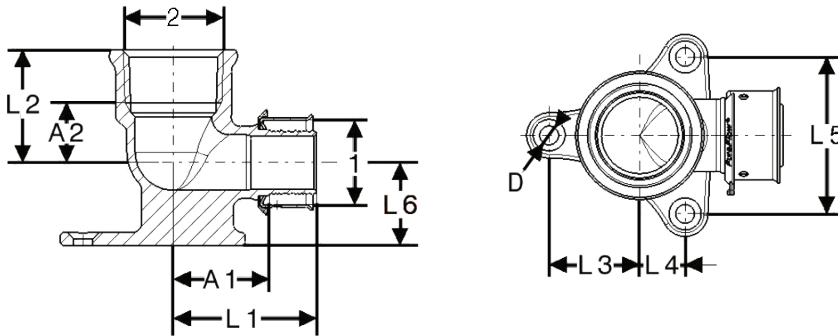


PEX Press Male NPT Elbows

Part No	Dimensions 1 x 2	A (in)	L1 (in)	L2 (in)
92520	1/2" x 1/2" MPT	0.638	1.134	1.055
92525	1/2" x 3/4" MPT	0.740	1.236	1.142
92540	3/4" x 3/4" MPT	0.740	1.236	1.126
92545	3/4" x 1" MPT	0.980	1.476	1.614
92560	1" x 1" MPT	0.976	1.594	1.614
92565	3/4" x 1 1/4" MPT	1.315	1.811	1.673
92570	1" x 1 1/4" MPT	1.311	1.929	1.673
92757	1 1/4" x 1 1/4" MPT	1.319	2.185	1.673
92580	1 1/2" x 1 1/2" MPT	1.339	2.205	1.732
92590	2" x 2" MPT	1.654	2.697	2.067

# Submittal Package

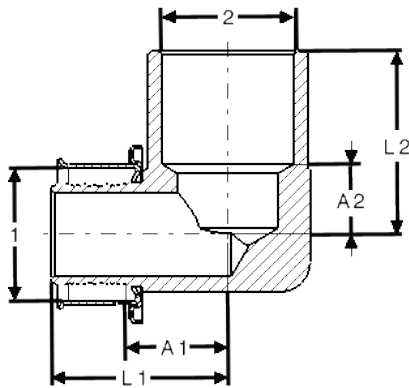
**viega**



PEX Press Drop Ear Elbows

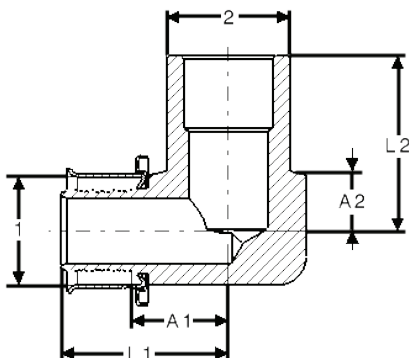
Part No	Dimensions 1 x 2	A1 (in)	A2 (in)	L1 (in)	L2 (in)	L3 (in)	L4 (in)	L5 (in)	L6 (in)	D (in)
94505	3/8" x 1/2"	0.882	0.449	1.378	0.984	0.787	0.394	1.362	0.866	0.197
94520	1/2" x 1/2"	0.882	0.449	1.378	0.984	0.787	0.394	1.362	0.866	0.197
94535	3/4" x 1/2"	0.882	0.528	1.378	1.063	0.787	0.394	1.362	0.866	0.197
94540	3/4" x 3/4"	1.000	0.626	1.496	1.181	0.945	0.472	1.638	0.866	0.197

PEX Press Copper Tubing Elbows



Part No	Dimensions 1 x 2	A1 (in)	A2 (in)	L1 (in)	L2 (in)
99307	1/2" x 1/2"	0.705	0.724	1.201	1.232
99308	1/2" x 3/4"	0.681	0.469	1.177	1.220
99313	5/8" x 1/2"	0.681	0.724	1.177	1.232
99312	5/8" x 3/4"	0.681	0.480	1.177	1.232
99311	3/4" x 1/2"	0.705	0.724	1.201	1.232
99309	3/4" x 3/4"	0.681	0.469	1.177	1.220

PEX Press Copper Fitting Elbows



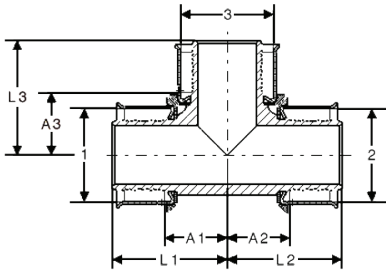
Part No	Dimensions 1 x 2	A1 (in)	A2 (in)	L1 (in)	L2 (in)
99310	1/2" x 1/2"	0.575	0.472	1.071	1.059

# Submittal Package

**viega**



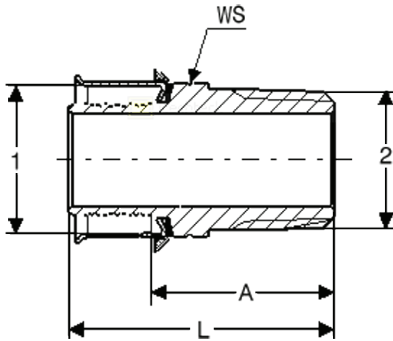
## PEX Press Tees / Reducing Tees



Part No	Dimensions 1 x 2 x 3	A1 (in)	A2 (in)	A3 (in)	L1 (in)	L2 (in)	L3 (in)
94020	1/2"	0.469	0.469	0.469	0.965	0.965	0.965
94021	1/2" x 3/8" x 3/8"	0.469	0.469	0.469	0.965	0.965	0.965
94022	1/2" x 1/2" x 3/4"	0.622	0.622	0.594	1.118	1.118	1.091
94030	5/8"	0.594	0.594	0.594	1.091	1.091	1.091
94040	3/4"	0.594	0.594	0.594	1.091	1.091	1.091
94032	3/4" x 1/2" x 1/2"	0.594	0.594	0.622	1.091	1.091	1.118
94034	3/4" x 1/2" x 3/4"	0.594	0.622	0.594	1.091	1.118	1.091
94036	3/4" x 3/4" x 1/2"	0.594	0.594	0.622	1.091	1.091	1.118
94060	1"	0.878	0.878	0.878	1.496	1.496	1.496
94037	1" x 1/2" x 1/2"	0.583	0.587	0.823	1.201	1.083	1.319
94039	1" x 1/2" x 1"	0.760	0.744	0.760	1.378	1.240	1.378
94038	1" x 3/4" x 1/2"	0.583	0.587	0.823	1.201	1.083	1.319
94052	1" x 3/4" x 3/4"	0.799	0.764	0.843	1.398	1.260	1.339
94053	1" x 3/4" x 1"	0.760	0.705	0.760	1.378	1.201	1.378
94050	1" x 1" x 1/2"	0.681	0.681	0.843	1.299	1.299	1.339
94056	1" x 1" x 3/4"	0.799	0.799	0.843	1.417	1.417	1.339
94070	1 1/4"	1.004	1.004	1.004	1.870	1.870	1.870
94071	1 1/4" x 1" x 3/4"	0.728	0.740	0.988	1.594	1.358	1.484
94073	1 1/4" x 1" x 1"	0.807	0.819	0.996	1.673	1.437	1.614
94072	1 1/4" x 1 1/4" x 3/4"	0.728	0.728	0.988	1.594	1.594	1.484
94074	1 1/4" x 1 1/4" x 1"	0.807	0.807	0.996	1.673	1.673	1.614
94080	1 1/2"	1.142	1.142	1.142	2.008	2.008	2.008
94081	1 1/2" x 1" x 3/4"	0.728	0.661	1.126	1.594	1.280	1.622
94082	1 1/2" x 1" x 1"	0.846	0.858	1.134	1.713	1.476	1.752
94083	1 1/2" x 1 1/2" x 3/4"	0.728	0.728	1.126	1.594	1.594	1.622
94084	1 1/2" x 1 1/2" x 1"	0.846	0.846	1.193	1.713	1.713	1.811
94085	1 1/2" x 1 1/2" x 1 1/4"	0.984	0.984	1.138	1.850	1.850	2.004
94090	2"	1.331	1.331	1.331	2.382	2.382	2.382
94091	2" x 1 1/2" x 1"	1.339	1.358	1.350	2.382	2.224	1.969
94092	2" x 1 1/2" x 1 1/4"	1.339	1.358	1.398	2.382	2.224	2.264
94093	2" x 1 1/2" x 1 1/2"	1.339	1.358	1.398	2.382	2.224	2.264

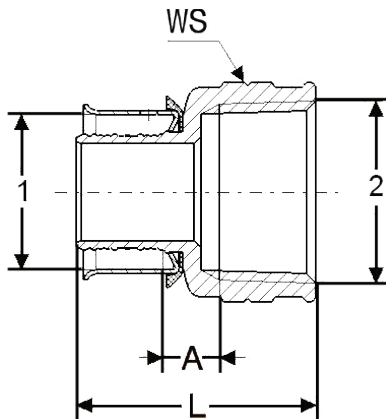
# Submittal Package

**viega**



## PEX Press Male NPT Adapters

Part No	Dimensions 1 x 2	A (in)	L (in)	WS (in)
90506	3/8" x 1/2" MPT	1.138	1.634	0.866
90521	1/2" x 1/2" MPT	1.098	1.594	0.866
90526	1/2" x 3/4" MPT	1.146	1.642	1.063
90527	5/8" x 1/2" MPT	1.098	1.594	0.866
90531	5/8" x 3/4" MPT	1.146	1.642	1.063
90542	3/4" x 1/2" MPT	1.098	1.594	0.866
90541	3/4" x 3/4" MPT	1.146	1.642	1.063
90546	3/4" x 1" MPT	1.413	1.909	1.339
90562	3/4" x 1 1/4" MPT	1.654	2.102	1.732
90556	1" x 3/4" MPT	1.181	1.799	1.063
90561	1" x 1" MPT	1.409	2.028	1.339
90566	1" x 1 1/4" MPT	1.602	2.220	1.732
90571	1 1/4" x 1 1/4" MPT	1.630	2.496	1.732
90581	1 1/2" x 1 1/2" MPT	1.791	2.657	1.969
90591	2" x 2" MPT	2.083	3.130	2.441

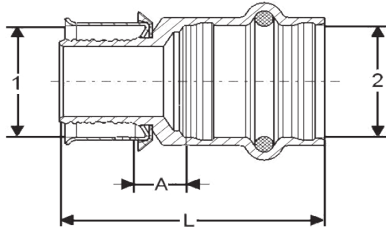


## PEX Press Female NPT Adapters

Part No	Dimensions 1 x 2	A (in)	L (in)	WS (in)
91520	1/2" x 1/2" FPT	0.346	1.378	0.984
91525	1/2" x 3/4" FPT	0.366	1.417	1.201
91541	3/4" x 1/2" FPT	0.307	1.339	0.984
91540	3/4" x 3/4" MPT	0.366	1.417	1.201
91545	1" x 3/4" MPT	0.402	1.575	1.201
91560	1" x 1" MPT	0.413	1.693	1.476
91570	1 1/4" x 1 1/4" FPT	0.579	2.126	1.850
91580	1 1/2" x 1 1/2" FPT	0.598	2.146	2.087
91590	2" x 2" FPT	0.622	2.362	2.598

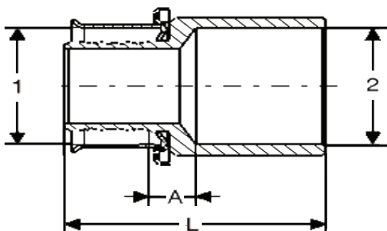
# Submittal Package

**viega**



## PEX Press ProPress Adapters

Part No	Dimensions 1 x 2	A (in)	L (in)
99620	1/2" x 1/2"	0.291	1.614
99626	1/2" x 3/4"	0.429	1.831
99627	5/8" x 1/2"	0.232	1.555
99628	5/8" x 3/4"	0.331	1.732
99630	3/4" x 1/2"	0.232	1.555
99640	3/4" x 3/4"	0.331	1.732
99645	1" x 3/4"	0.346	1.870
99660	1" x 1"	0.445	1.969
99665	1 1/4" x 1"	0.492	2.264
99670	1 1/4" x 1 1/4"	0.492	2.382
99675	1 1/2" x 1"	0.591	2.362
99680	1 1/2" x 1 1/2"	0.591	2.874
99685	2" x 1"	0.728	2.677
99690	2" x 2"	0.551	2.992

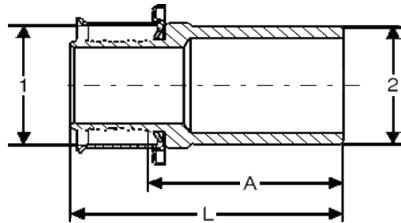


## PEX Press Copper Tubing Adapters

Part No	Dimensions 1 x 2	A (in)	L (in)
92006	3/8" x 1/2"	0.287	1.280
92021	1/2" x 1/2"	0.232	1.240
92026	1/2" x 3/4"	0.268	1.516
92027	5/8" x 1/2"	0.248	1.240
92031	5/8" x 3/4"	0.268	1.516
92036	3/4" x 1/2"	0.189	1.181
92041	3/4" x 3/4"	0.268	1.516
92045	3/4" x 1"	0.366	1.772
92060	1" x 1"	0.343	1.890
92070	1 1/4" x 1 1/4"	0.433	2.283
92080	1 1/2" x 1 1/2"	0.453	2.441
92090	2" x 2"	0.433	2.598

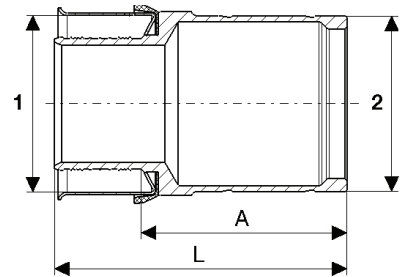
# Submittal Package

**viega**



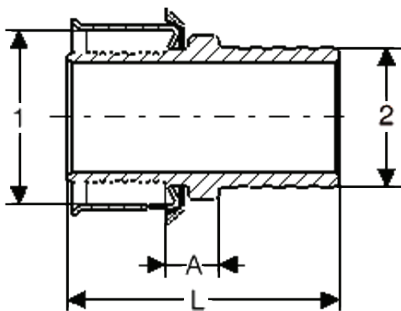
## PEX Press Copper Fitting Adapters

Part No	Dimensions 1 x 2	A (in)	L (in)
97520	1/2" x 1/2"	1.256	1.772
97525	1/2" x 3/4"	1.335	1.831
97530	5/8" x 1/2"	1.276	1.772
97531	5/8" x 3/4"	1.394	1.890
97535	3/4" x 1/2"	1.335	1.831
97540	3/4" x 3/4"	1.453	1.949
97545	3/4" x 1"	1.453	1.949
97560	1" x 1"	1.508	2.126
97570	1 1/4" x 1 1/4"	1.831	2.717
97580	1 1/2" x 1 1/2"	2.205	3.071
97590	2" x 2"	2.358	3.406



## PEX Press Insert Adapter

Part No	Dimensions 1 x 2	A (in)	L (in)
97690	2" x 2"	2.500	3.543

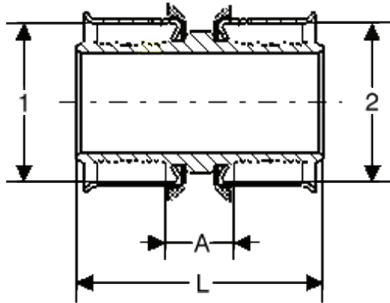


## PEX Press PB Adapters

Part No	Dimensions 1 x 2	A (in)	L (in)
97820	1/2" x 1/2"	0.276	1.378
97840	3/4" x 3/4"	0.276	1.378

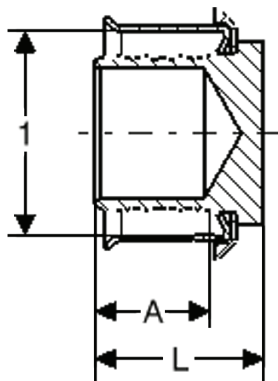
# Submittal Package

**viega**



## PEX Press Couplings

Part No	Dimensions 1 x 2	A (in)	L (in)
93001	5/16"	0.394	1.378
93000	3/8"	0.394	1.378
93020	1/2"	0.394	1.378
93050	1/2" x 3/4"	0.394	1.378
93030	5/8"	0.394	1.378
93040	3/4"	0.394	1.378
93055	3/4" x 1"	0.461	1.575
93071	3/4" x 1 1/4"	0.508	1.870
93072	3/4" x 1 1/2"	0.508	1.870
93060	1"	0.457	1.693
93065	1" x 1 1/4"	0.543	2.028
93073	1" x 1 1/2"	0.543	2.028
93070	1 1/4"	0.669	2.402
93075	1 1/4" x 1 1/2"	0.591	2.323
93080	1 1/2"	0.669	2.402
93090	2"	0.657	2.756
93091	2" x 1 1/2"	0.689	2.598

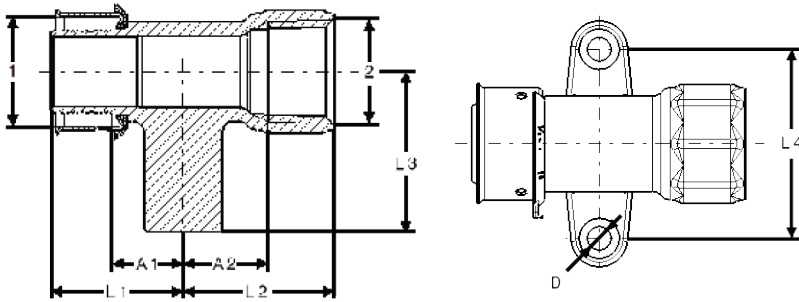


## PEX Press Test Plugs

Part No	Dimensions 1	A (in)	L (in)
95000	3/8"	0.476	0.728
95121	1/2"	0.476	0.728
95131	5/8"	0.476	0.728
95141	3/4"	0.476	0.728
95161	1"	0.618	0.925

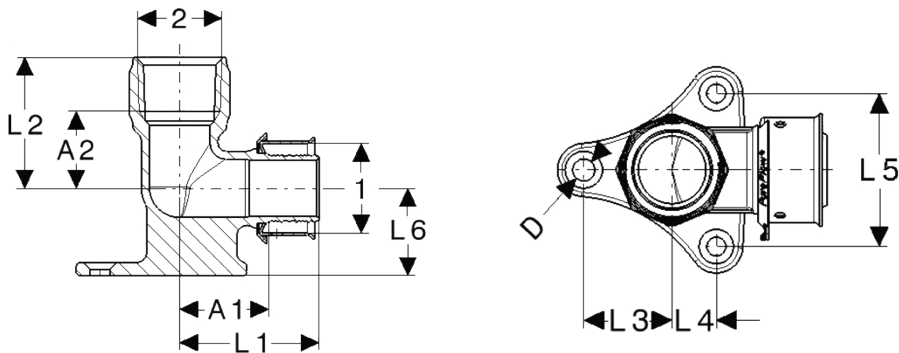
# Submittal Package

**viega**



**PEX Press Fire Sprinkler Adapter**

Part No	Dimensions 1 x 2	A1 (in)	A2 (in)	L1 (in)	L2 (in)	L3 (in)	L4 (in)	D (in)
94632	¾" x ½" FPT	0.567	0.685	1.063	1.220	1.287	1.575	0.197

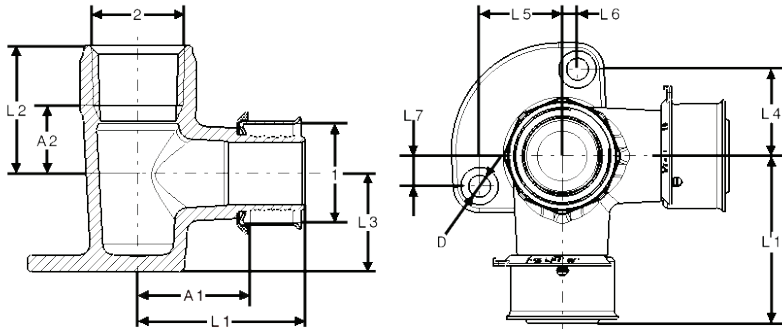


**PEX Press Fire Sprinkler Elbows**

Part No	Dimensions 1 x 2	A1 (in)	A2 (in)	L1 (in)	L2 (in)	L3 (in)	L4 (in)	L5 (in)	L6 (in)	D (in)
94635	¾" x ½" FPT	0.882	0.764	1.378	1.299	0.787	0.394	1.362	0.866	0.197
94640	1" x ½" FPT	0.957	0.921	1.575	1.457	0.787	0.394	1.362	0.866	0.197

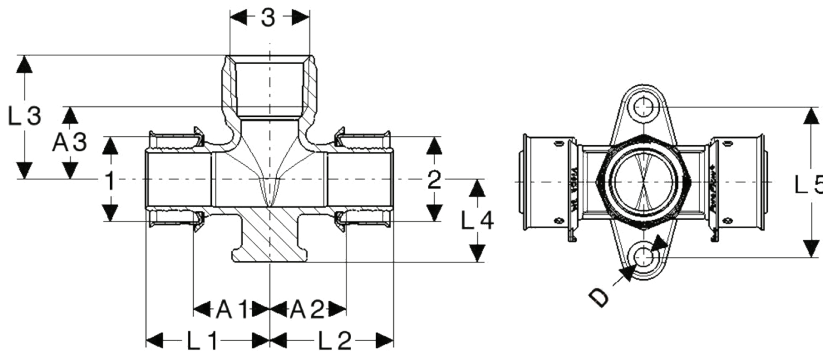
# Submittal Package

**viega**



**PEX Press Fire Sprinkler Elbow (Double)**

Part No	Dimensions 1 x 2	A1 (in)	A2 (in)	L1 (in)	L2 (in)	L3 (in)	L4 (in)	L5 (in)	L6 (in)	L7 (in)	D (in)
94646	¾" x ¾" x ½" FPT	1.000	0.606	1.496	1.142	0.882	0.776	0.740	0.138	0.268	0.197

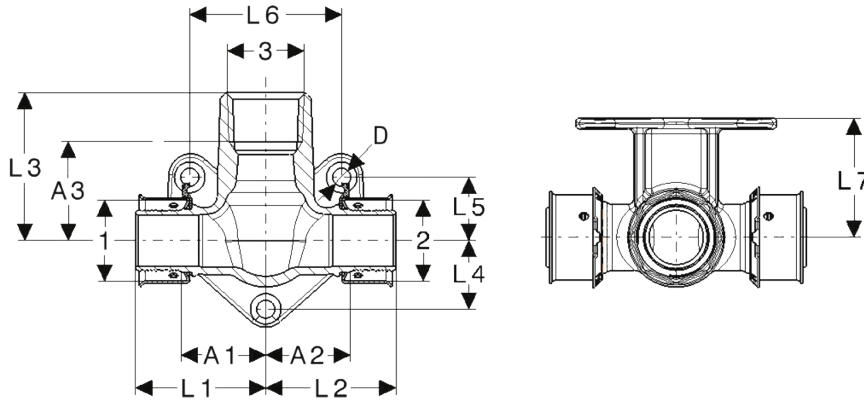


**PEX Press Fire Sprinkler Horizontal Tees**

Part No	Dimensions 1 x 2	A1 (in)	A2 (in)	L1 (in)	L2 (in)	L3 (in)	L4 (in)	L5 (in)	L6 (in)	D (in)
94636	¾" x ¾" x ½" FPT	0.803	0.803	0.764	1.299	1.299	1.299	0.866	1.575	0.197
94638	1" x ¾" x ½" FPT	0.783	1.055	0.906	1.280	1.673	1.457	0.866	1.575	0.197
94639	1" x 1" x ½" FPT	1.055	1.055	0.902	1.673	1.673	1.437	0.866	1.575	0.197

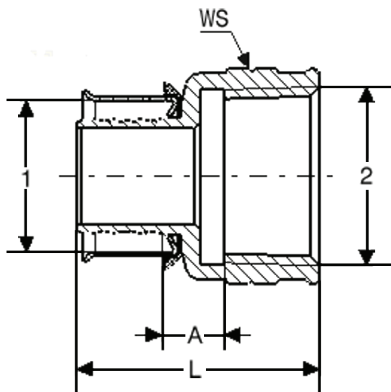
# Submittal Package

**viega**



**PEX Press Fire Sprinkler Vertical Tees**

Part No	Dimensions 1 x 2	A1 (in)	A2 (in)	A3 (in)	L1 (in)	L2 (in)	L3 (in)	L4 (in)	L5 (in)	L6 (in)	L7 (in)	D (in)
94736	¾" x ¾" x ½" FPT	0.921	0.921	1.079	1.417	1.417	1.614	0.748	0.689	1.654	1.299	0.197
94738	1" x ¾" x ½" FPT	0.957	0.957	1.079	1.516	1.516	1.614	0.748	0.689	1.654	1.417	0.197
94739	1" x 1" x ½" FPT	0.957	0.957	1.079	1.575	1.575	1.614	0.748	0.689	1.654	1.417	0.197

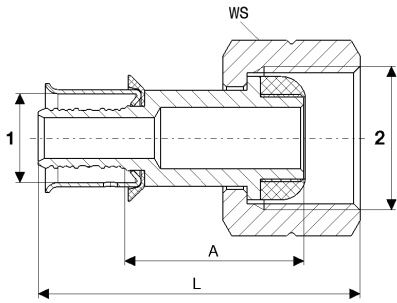


**PEX Press Fire Sprinkler Female NPT Adapters**

Part No	Dimensions 1 x 2	A (in)	L (in)	WS (in)
91541	¾" x ½" FPT	0.307	1.339	0.984

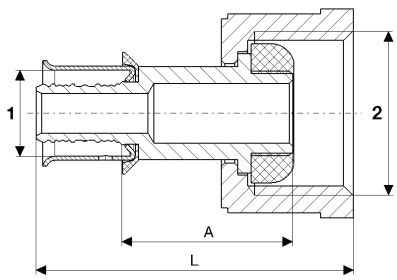
# Submittal Package

**viega**



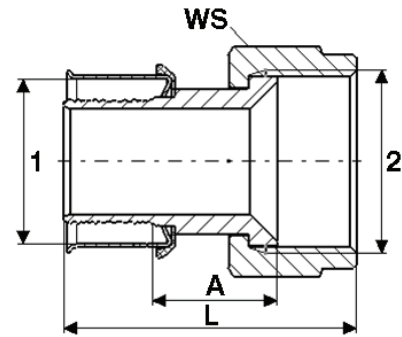
## PEX Press Lav Adapter

Part No	Dimensions 1 x 2	A (in)	L (in)	WS (in)
97002	3/8" x 1/2" Lav	1.039	1.850	1.000
97003	1/2" x 1/2" Lav	1.039	1.850	1.000



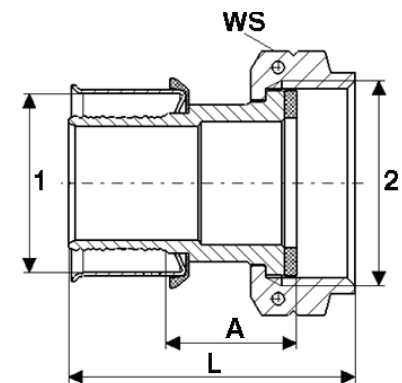
## PEX Press Closet Adapter

Part No	Dimensions 1 x 2	A (in)	L (in)
97004	3/8" x 1/2" Closet	1.039	1.890
97005	1/2" x 1/2" Closet	1.039	1.890



## PEX Press Flare Adapter

Part No	Dimensions 1 x 2	A (in)	L (in)	WS (in)
97140	3/4" x 3/4" Flare	0.665	1.713	1.500
97160	1" x 3/4" Flare	0.858	2.028	1.500

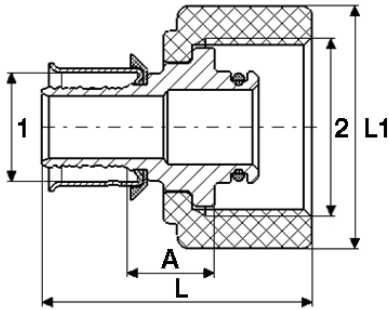


## PEX Press Female Union BSP

Part No	Dimensions 1 x 2	A (in)	L (in)	WS (in)
96140	3/4" x 1" BSP	0.626	1.496	1.457
96160	1" x 1" BSP	0.839	1.831	1.457
96165	1" x 1 1/4" BSP	0.780	1.799	1.811

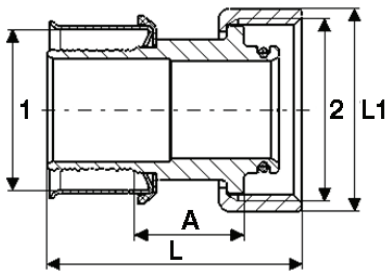
# Submittal Package

**viega**



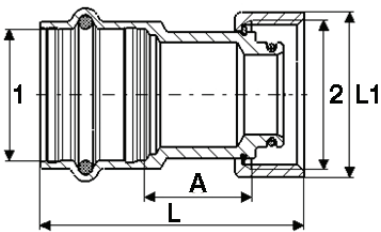
## PEX Press Port Adapter

Part No	Dimensions 1 x 2	A (in)	L (in)	L1 (in)
96101	3/8" x 1/2" Port	0.508	1.575	1.417
96120	1/2" x 1/2" Port	0.508	1.575	1.417



## PEX Press ManaBloc Supply Adapter

Part No	Dimensions 1 x 2	A (in)	L (in)	L1 (in)
96141	3/4" x 1" ManaBloc	0.874	1.791	1.429
96161	1" x 1" ManaBloc	0.772	1.803	1.429
96171	1 1/4" x 1" ManaBloc	1.024	2.311	1.429



## ProPress ManaBloc Supply Adapter

Part No	Dimensions 1 x 2	A (in)	L (in)	L1 (in)
90356	3/4" x 1" ManaBloc	0.386	1.713	1.429
90366	1" x 1" ManaBloc	0.957	2.283	1.429

This document subject to updates. For the most current Viega technical literature please visit [www.viega.net](http://www.viega.net).  
Click Services -> Click Electronic Literature Downloads -> Select Product Line -> Select Desired Document

Viega LLC, 301 N. Main, 9th Floor • Wichita, KS 67202 • Ph: 800-976-9819 • Fax: 316-425-7618