

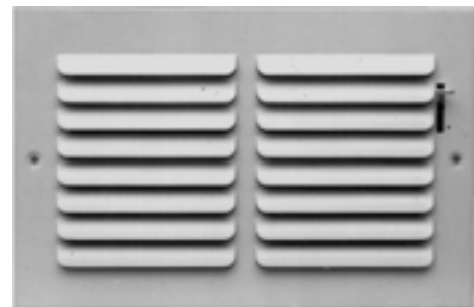
SERIES 1200M

Curved Blade Ceiling Supply Register

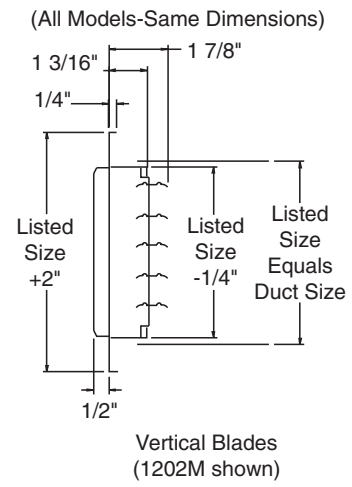
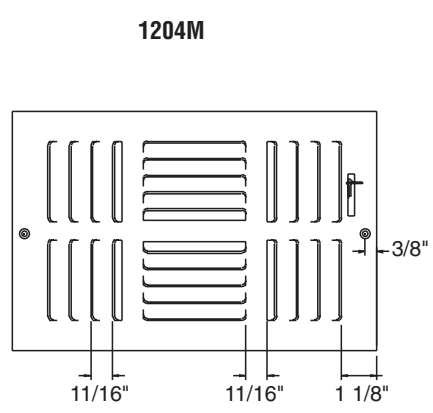
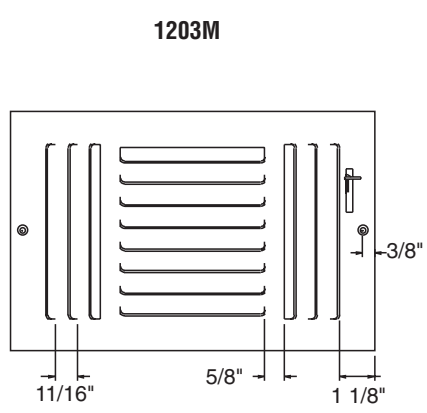
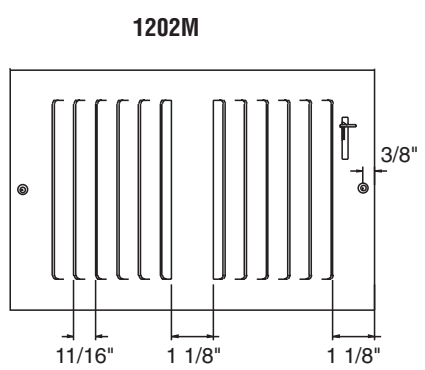
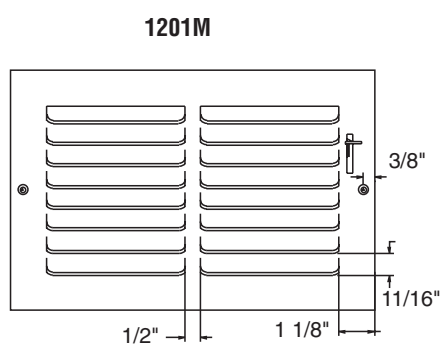
Product Data Sheet

- Steel construction
- Sidewall or ceiling application
- Easy operating multi-louver damper
- For heating or cooling
- Standard White finish
- Optional Brown finish
- 1, 2, 3, and 4 way patterns

- Models:**
- 1201M - One Way
 - 1202M - Two Way Vertical
 - 1203M - Three Way
 - 1204M - Four Way



1201M shown



1201M - One Way

CFM	Outlet Size	8" x 4"	10" x 4"	12" x 4"	8" x 6"	10" x 6"	12" x 6"	14" x 6"	12" x 8"
50	Neck Velocity PS Throw	225 .002 13	180 .001 12	150 .001 11	150 .001 11				
100	Neck Velocity PS Throw	450 .007 21	360 .003 20	300 .002 19	300 .003 19	240 .002 17	200 .001 16	171 .001 15	150 .001 14
150	Neck Velocity PS Throw		540 .008 26	450 .005 24	450 .006 24	360 .003 23	300 .002 21	257 .002 20	225 .001 19
200	Neck Velocity PS Throw			600 .010 30	600 .010 30	480 .006 28	400 .003 26	343 .003 25	300 .002 23
250	Neck Velocity PS Throw					600 .010 32	500 .005 30	429 .005 29	375 .003 27
300	Neck Velocity PS Throw						600 .008 34	514 .007 32	450 .004 31
350	Neck Velocity PS Throw							600 .010 36	525 .006 34
400	Neck Velocity PS Throw								600 .010 41

Available Sizes: 1201M

- 8" x 4" • 10" x 4" • 12" x 4" • 14" x 4" • 8" x 6" • 10" x 6" • 12" x 6"
- 14" x 6" • 10" x 8" • 12" x 8" • 14" x 8" • 10" x 10" • 12" x 12"

1202M - Two Way

CFM	Outlet Size	10" x 6"	12" x 6"	12" x 8"
100	Neck Velocity PS Throw	240 .002 14	200 .001 13	150 .001 12
150	Neck Velocity PS Throw	360 .004 19	300 .002 18	225 .001 16
200	Neck Velocity PS Throw	480 .007 23	400 .004 22	300 .002 20
250	Neck Velocity PS Throw	600 .012 27	500 .007 25	375 .004 23
300	Neck Velocity PS Throw		600 .010 28	450 .005 26
350	Neck Velocity PS Throw			600 .007 29
400	Neck Velocity PS Throw			600 .012 34

Available Sizes: 1202M

- 10" x 6" • 12" x 6" • 10" x 8"
- 12" x 8" • 10" x 10" • 12" x 12"

1203M - Three Way

CFM	Outlet Size	10" x 6"	8" x 8"	12" x 6"	10" x 8"	14" x 6"	12" x 8"	14" x 8"
100	Neck Velocity PS Throw	240 .002 12 10	225 .001 12 10	200 .001 11 10	180 .001 11 9	171 .001 11 9	150 .001 10 9	
150	Neck Velocity PS Throw	360 .004 16 14	338 .003 15 14	300 .002 15 13	270 .002 14 13	257 .002 14 12	225 .001 13 12	193 .001 13 11
200	Neck Velocity PS Throw	480 .007 19 17	450 .005 19 16	400 .004 18 16	360 .004 17 15	343 .003 17 15	300 .002 16 14	257 .001 15 14
250	Neck Velocity PS Throw		563 .008 22 19	500 .007 21 18	450 .006 20 18	429 .005 20 17	375 .003 19 17	321 .002 18 16
300	Neck Velocity PS Throw			600 .010 24 21	540 .008 23 20	514 .007 22 20	450 .004 21 19	386 .003 20 18
350	Neck Velocity PS Throw					600 .010 25 22	525 .006 24 21	450 .004 23 20
400	Neck Velocity PS Throw						600 .010 28 25	514 .007 27 24
450	Neck Velocity PS Throw							579 .015 35 30

Available Sizes: 1203M

• 10" x 6" • 12" x 6" • 14" x 6" • 8" x 8" • 10" x 8" • 12" x 8" • 14" x 8" • 10" x 10" • 12" x 12"

1204M - Four Way

CFM	Outlet Size	6" x 6"	8" x 8"
50	Neck Velocity PS Throw	200 .001 8 7	
100	Neck Velocity PS Throw	400 .005 14 12	225 .001 12 10
150	Neck Velocity PS Throw	600 .012 19 16	338 .003 15 14
200	Neck Velocity PS Throw		450 .005 19 16
250	Neck Velocity PS Throw		563 .008 22 19

Available Sizes: 1204M

• 6" x 6" • 8" x 8" • 10" x 10" • 12" x 12"

NOTES:

Static Pressure - Static pressure readings are in inches water gauge.

Throw - Throws indicated are based on total number of feet of projected air when a terminal velocity of 50 feet per minute is reached. Throws are based on a 9 foot ceiling height.

Neck Velocity - The neck velocity is in feet per minute.

Ordering Information

All of USAIRE curved blade ceiling supply registers are listed with the horizontal (width) dimension first, vertical (height) dimension second.

Multi-louver damper blades have their axis parallel to the width dimension.

The damper is built-in for economical applications, and the blades are lever-operated for fingertip control.