



T&S Brass and Bronze Works, Inc.
2 Saddleback Cove, P.O. Box 1088
Travelers Rest, SC 29690
TEL: (800) 476-4103
FAX: (800) 868-0084

P/N: 098-014600-45

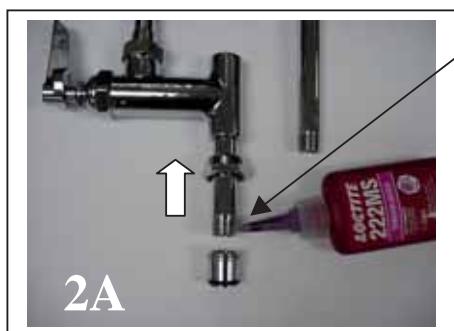
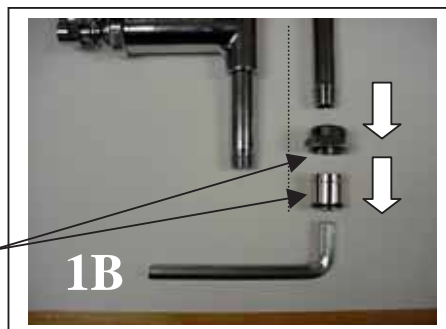
How to Install a T&S Add-on Faucet on an Easy Install PRU.

B-0155
B-0156
B-0157



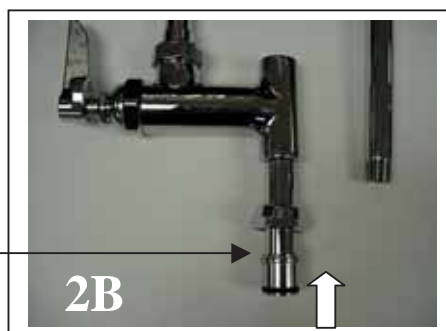
Step 1A: Remove Riser from Base Faucet by unthreading Easy Install locking nut and pulling up until the riser "pops" out.

Step 1B: Using a 3/8" Allen Wrench, remove Easy Install Bushing & Locking Nut from riser.



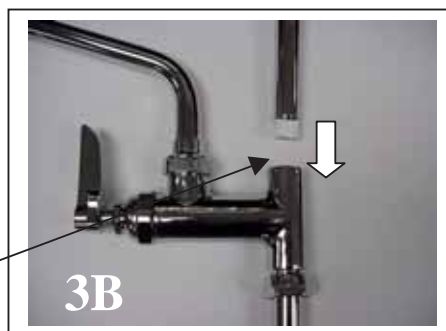
Step 2A: Slide Easy Install Nut onto base of Add-on Faucet & Apply Loctite 222 (or other non-permanent thread lock compound) to Add-on faucet's bottom threads.

Step 2B: Thread Easy Install bushing over base of Add-on faucet. Tighten with a 3/8" Allen wrench.



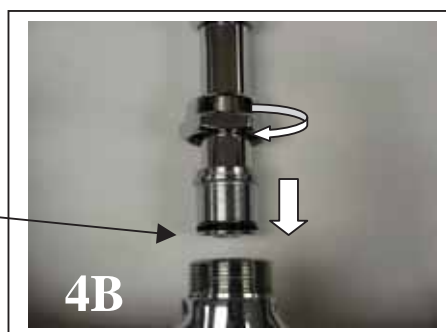
Step 3A: After cleaning with mild soap and water, apply plumber's tape or putty to base threads of riser.

Step 3B: Thread bottom of riser into top female section of Add-on Faucet. Tighten.



Step 4A: The Add-on Faucet & upper pre-rinse assembly are ready to be reconnected to the base faucet.

Step 4B: Press the bushing down into faucet body and tighten locking nut.





T&S Brass and Bronze Works, Inc.
2 Saddleback Cove, P.O. Box 1088
Travelers Rest, SC 29690
TEL: (800) 476-4103
FAX: (800) 868-0084

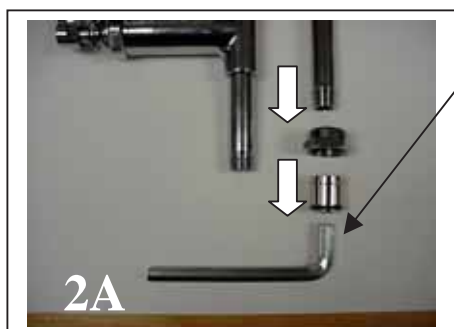
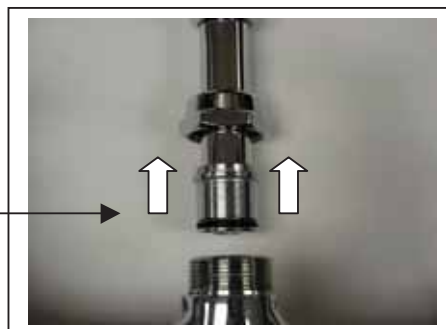


How to Install a T&S Easy Install Add-on Faucet on an Easy Install PRU.

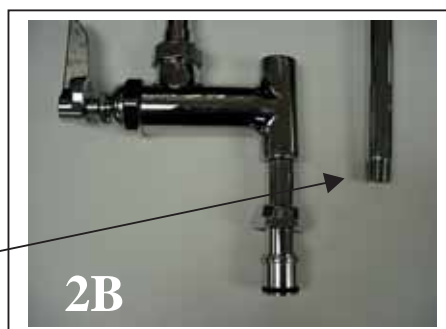
B-0155-LNEZ



Step 1A: Loosen the Easy Install locking nut from the riser to base-faucet connection.



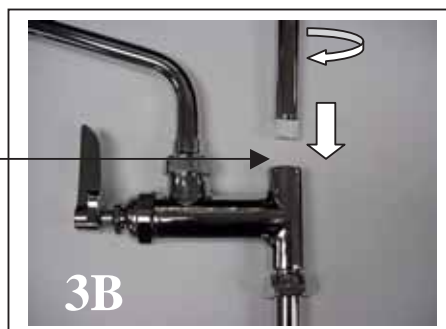
Step 2A: Using a 3/8" Allen wrench, remove the bushing and locking nut from riser. (Either keep as spare parts or discard.)



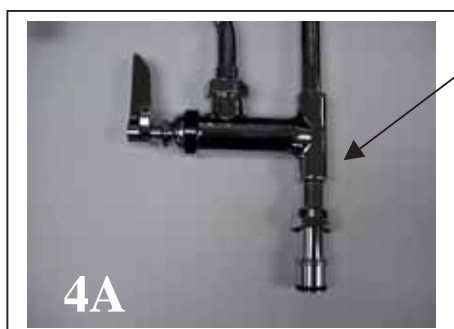
Step 2B: Clean Loctite residue from riser threads with soap and water. Your riser is now almost ready to be connected to the add-on faucet.



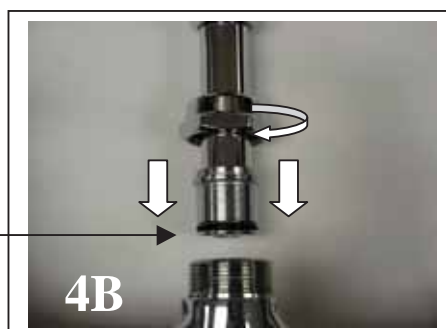
Step 3A: Apply plumber's tape or putty to base threads of riser.



Step 3B: Thread bottom of riser into top female section of Add-on Faucet. Tighten.



Step 4A: The Add-on Faucet & upper pre-rinse assembly are ready to be reconnected to the base faucet.



Step 4B: Press the bushing down into faucet body and tighten locking nut.