

**T&S BRASS**  
**G-10 PRODUCT CATALOG**  
**2012**





The Alliance For Water Efficiency is a national nonprofit organization that advocates for water efficiency and conservation among its diverse membership.

T&S is a member of the U.S. Green Building Council (USGBC), an independent accrediting body that has developed a rating system, the Leadership in Energy and Environmental Design (LEED®) to measure energy efficiency and sustainable building practices.

As a WaterSense Partner we signed an agreement with the U.S. Environmental Protection Agency (EPA) to show our commitment to promote its goals for national water efficiency.



**T&S is deeply committed to water and energy conservation and sustainable practices in manufacturing the industry's most energy-efficient foodservice and plumbing products. We are proud to be affiliated with these three organizations.**

The "LEED Certification Mark" is a registered trademark owned by the U.S. Green Building Council and is used by permission.

## Company History

With a steadfast commitment to quality, T&S Brass and Bronze Works, Inc. for over 60 years has set the standard of excellence for the plumbing industry.

Founded in 1947, T&S originally developed foodservice plumbing equipment, including the markets' first pre-rinse unit, which became the industry standard. In 1950, we introduced its full line of foodservice plumbing products, establishing T&S as the premier manufacturer in the industry. By 1953, T&S introduced the foot pedal valve, the next T&S product to become the industry standard.

Over the next four decades, we entered new markets within the plumbing industry. In 1956, T&S made its debut into the laboratory market with its Lab-Flo line of laboratory service fittings. Four years later, the company expanded into nonresidential markets with industrial grade faucets for institutional applications, and penetration of the commercial plumbing market began.

Today, T&S produces faucets, fittings and specialty products for foodservice, industrial, commercial plumbing and laboratory markets. Our products have become the standard for the majority of U.S. hospitals, schools, restaurants, prisons, and public facilities.

T&S expansion, however, has not been limited to the borders of the United States. During the last thirty years, the company has significantly increased overseas exports. Today, representatives sell T&S products around the world – in Europe, Australia, the Middle East, Canada, Japan, southeast Asia and Central and South America.

To support its growing global distribution system, T&S has established facilities on several continents. More than 200 employees manufacture products and service customers from company headquarters in Travelers Rest, South Carolina, with a second U.S. distribution center in Simi Valley, California to more efficiently serve the west coast. An overseas office and distribution center is located in Europe.

Leading the way in innovation, quality manufacturing and customer service, T&S will remain dedicated to the same level of excellence which established its reputation and what our customers rely on – **Reliability Built In™**.

## Warranty Information

All T&S products are warranted to be free from defects in material and workmanship for a period of one (1) year from the date of purchase. Liability is limited thereunder to factory repair and/or replacement of material found to be defective, after examination by T&S, during the warranty period. No claims for labor, shipping costs or consequential damages will be accepted or honored.

Replacement and/or repair under this warranty will be made within a reasonable time after receipt by T&S of the allegedly defective item.

Items which have received secondary finishing or have been altered in any way after purchase are not covered by this warranty. Claims resulting from damaged cartons must be filed with the carrier.

Some states do not allow limitations on how long an implied warranty lasts or on the exclusion of incidental or consequential damages, so all the limitations or exclusions appearing herein may not be permitted by your state and, therefore, your local statutes should be consulted with respect thereto or with respect to any other rights which your state statutes may specifically confer on you.

After receiving proper authorization, all returns of merchandise which are claimed defective under this warranty must be sent to T&S Brass and Bronze Works, Inc., P.O. Box 1088, 2 Saddleback Cove, Travelers Rest, SC 29690, clearly marked to the attention of the Warranty Repair Department. Shipping charges, both ways, shall be paid by the customer.



**T&S BRASS  
PRODUCT OVERVIEW**

**A** Pre-Rinse Units



**B** Pot, Kettle and Glass Fillers



**C** Faucets and Components



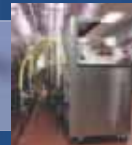
**D** Institutional, Medical and Lab Products



**E** Washdown and Clean-Up Solutions



**F** Safe-T-Link Gas and Water Appliance Connectors



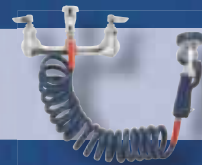
**G** Emergency Safety Equipment by Haws

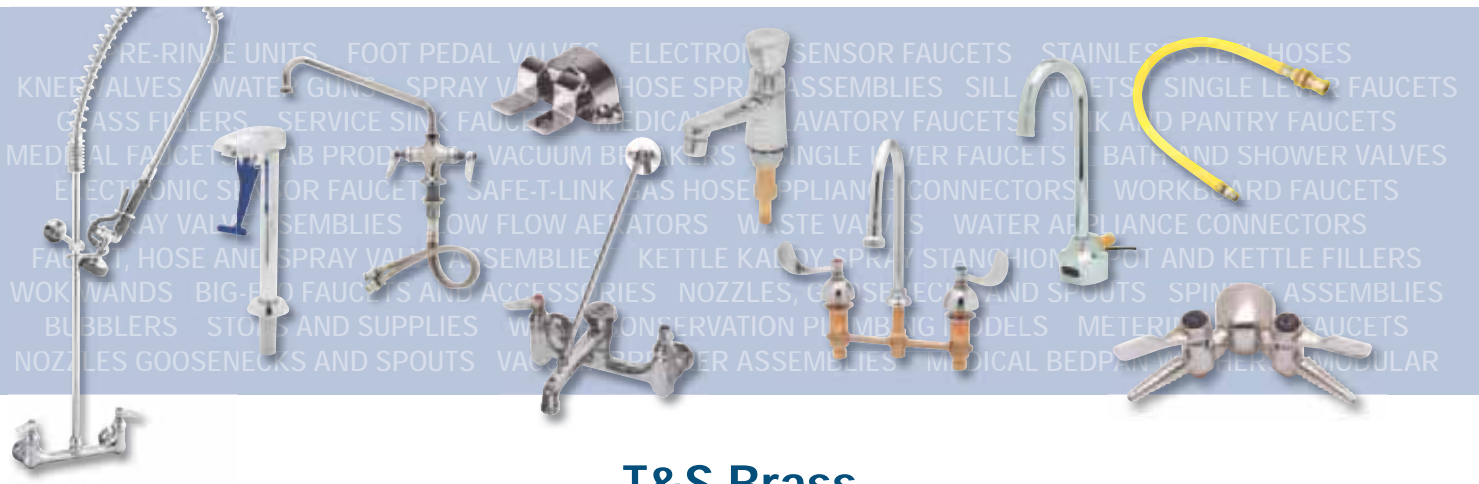


**H** equip Foodservice Plumbing Products



**P** Pet-Care Plumbing Products





RE-RINSE UNITS FOOT PEDAL VALVES ELECTRONIC SENSOR FAUCETS STAINLESS STEEL HOSES  
 KNEE VALVES WATER GUNS SPRAY VALVES HOSE SPRAY ASSEMBLIES SILL COCKETS SINGLE LEVER FAUCETS  
 GLASS FILTERS SERVICE SINK FAUCETS MEDICAL LABORATORY FAUCETS SINK AND PANTRY FAUCETS  
 MEDICAL FAUCETS LAB PRODUCTS VACUUM BREAKERS SINGLE LEVER FAUCETS BATH AND SHOWER VALVES  
 ELECTRONIC SENSOR FAUCETS SAFE-T-LINK GAS HOSE APPLIANCE CONNECTORS WORKBOARD FAUCETS  
 SPRAY VALVE ASSEMBLIES LOW FLOW AERATORS WASTE VALVES WATER APPLIANCE CONNECTORS  
 FAUCETS HOSE AND SPRAY VALVE ASSEMBLIES KETTLE KAYAK SPRAY STANCHION FOOT AND KETTLE FILLERS  
 WOK HANDS BIG END FAUCETS AND ACCESSORIES NOZZLES, GOOSENECK AND SPOUTS SPINNET ASSEMBLIES  
 BUBBLERS STOPS AND SUPPLIES WATER CONSERVATION PLUMBING MODELS METRIC FAUCETS  
 NOZZLES GOOSENECKS AND SPOUTS VACUUM BREAKER ASSEMBLIES MEDICAL BEDPANS OTHER MODULAR

## T&S Brass

*Your Source for Buy American Act Products*



T&S Brass is pleased to produce over 5,000 products and parts that comply with the requirements of the Buy American Act.

Please request a copy of our *Buy American* brochure for a complete list of Buy American products or visit our website, [www.tsbrass.com](http://www.tsbrass.com)



**RELIABILITY BUILT IN™**

# G-10 General Product Catalog

## Table of Contents



|  |                   |   |
|--|-------------------|---|
| <b>Pre-Rinse Units – A</b>                                   |                   | Bath and Shower ..... <b>D44-49</b><br><b>NEW! Pressure Balancing Shower Valves (p. D46)</b>        |
| B-0108 and B-0108-C JeTSpray<br>Pre-Rinse Units .....        | <b>A6-11</b>      | Vacuum Breaker Assemblies ..... <b>D50</b>  |
| Standard B-0107 Spray Valve<br>Pre-Rinse Units .....         | <b>A12-22</b>     | Laboratory Products ..... <b>D51-64</b>   |
| Low Flow B-0107-C Spray Valve<br>Pre-Rinse Units .....       | <b>A24-29</b>     | Stops and Supplies ..... <b>D64-65</b>  |
| Faucet, Hose and Spray<br>Valve Assemblies .....             | <b>A30-35</b>     | Parts Kits ..... <b>D66-67</b>  |
| Pre-Rinse Accessories<br>Spindle Assemblies .....            | <b>A23, 36-44</b> | Faucet Fittings, Aerators, Outlets..... <b>D68-78</b>   |
| <b>Pot, Kettle and Glass Fillers – B</b>                     |                   | <b>NEW! Water Conservation<br/>Plumbing Models ..... <b>D79-84</b></b>                              |
| Glass Fillers .....  | <b>B3-5</b>       | <b>Washdown and Clean-Up Solutions – E</b>  |
| Pot and Kettle Fillers/Dipperwell.....                       | <b>B6-11</b>      | Retractable Hose Reels<br>Hose Reel Assemblies/Accessories .....                                    |
| Kettle Kaddy Spray Stanchions .....                          | <b>B11-12</b>     | ..... <b>E3-22</b>  |
| Big-Flo Faucets .....  | <b>B12-15</b>     | Service Sink, Mop Sink, Sill Faucets<br>and Accessories .....                                       |
| Pot, Kettle and Glass Filler<br>Accessories/Parts Kits ..... | <b>B15-16</b>     | ..... <b>E23-29</b>   |
| <b>Faucets and Components – C</b>                            |                   | Washdown Stations/Accessories .....   |
| Product Adaptability<br>Faucets and Fittings .....           | <b>C3-14</b>      | ..... <b>E30-32</b>   |
| <b>NEW! Water-Saving Aerators (p. C8-10)</b>                 |                   | <b>Safe-T-Link Appliance Connectors – F</b>   |
| Sink and Pantry Faucets<br>and Nozzles .....                 | <b>C15-26</b>     | Gas Appliance Connectors and<br>Accessories/Specification .....                                     |
| Workboard Faucets and Nozzles .....                          | <b>C27-33</b>     | ..... <b>F4-9</b>   |
| Waste Valves and Accessories .....                           | <b>C33-36</b>     | Water Appliance Connectors<br>Specifying Water Connectors .....                                     |
| <b>NEW! Modular Waste Valves (p. C35-36)</b>                 |                   | ..... <b>F10-11</b>   |
| Parts Kits and Accessories .....                             | <b>C37, 40</b>    | Index of Appliance Connectors .....   |
| Spindle Assemblies .....                                     | <b>C38-39</b>     | ..... <b>F12</b>  |
| <b>Institutional, Medical and Lab Products – D</b>           |                   | <b>Emergency Safety Equipment by Haws – G</b>   |
| Single Lever Faucets .....                                   | <b>D4-5</b>       | Emergency Safety Equipment .....  |
| ChekPoint™ Electronic Faucets .....                          | <b>D6-12</b>      | ..... <b>G1-6</b>   |
| Medical and Lavatory Faucets .....                           | <b>D13-27</b>     | <b>equip Foodservice Plumbing Products – H</b>  |
| Pedal Valves, Dummy Goosenecks<br>and Bubblers .....         | <b>D28-31</b>     | Electronic Faucets, Pre-Rinse Units,<br>Faucets, Glass Fillers, Hose Reels<br>and Accessories ..... |
| Service Sink and Sill Faucets .....                          | <b>D33-40</b>     | ..... <b>H1-26</b>  |
| Medical Bedpan Washers .....                                 | <b>D41-43</b>     | <b>Pet-Care Plumbing Products – P</b>   |
|  |                   | Pet-Care Plumbing Products .....  |
|  |                   | ..... <b>P1-8</b>   |
|  |                   | <b>Master Index – IN</b>  |
|  |                   | G-10 Index of Models and<br>Part Numbers .....  |
|  |                   | ..... <b>IN1-16</b>   |

**Institutional,**  
*cont. next column*



# Product Adaptability

T&S Brass offers unparalleled product adaptability. Our extensive product lines include base faucets, nozzles, aerators, goosenecks, spouts, handles and inlet options, and many combinations of T&S components are available.

### Nozzles, Goosenecks and Spouts



### Handles



### Inlets



### Aerators



T&S Swivel or Rigid Faucets Can Combine with a Wide Variety of Goosenecks, Nozzles, Spouts, Handles, Inlets and Aerators

For example to customize your faucet, you could specify:



## If Your World Is Ceramic, Choose T&S Cerama

### The Commercial Grade Ceramic Cartridge Built to Last a Lifetime

T&S offers the first truly commercial ceramic cartridge designed for heavy use in both foodservice and plumbing applications and backed by a lifetime guarantee. Cerama represents the latest in ceramic disc technology and is made from the finest materials. Precision-polished to form a perfect fit, the discs create a watertight seal that will not leak.

Only the T&S Cerama offers the benefits of true commercial construction. Cerama has a solid brass spindle and body, which provides rugged durability. Cerama's sturdy spline gives a solid permanent lock and provides superior torque resistance. Cerama can withstand temperatures up to 195° F, plus integrated cartridge baffles at the outlets reduce water hammer and provide quiet operation.



**U.S. Patent  
# 5,996,614**

As an added benefit for applications with valves downstream, T&S Cerama is the only ceramic cartridge (U.S. Patent # 5,996,614) that comes with an optional integral check valve, which is critical for stopping cross flow in applications.

T&S Cerama – manufactured to the highest standards to bring you quality and maintenance-free performance backed by a lifetime guarantee.

T&S Cartridge Water Savings - GPM Chart

|            | At 60 psi      | At 60 psi<br>(with spring checks) |
|------------|----------------|-----------------------------------|
| T&S Eterna | 8 gpm per side | 6 gpm per side                    |
| T&S Cerama | 6 gpm per side | 5 gpm per side                    |

## If Your World Is Compression, Choose T&S Eterna

### The Compression Cartridge That Specifiers and End-Users Have Relied on For Over 50 Years

T&S Eterna cartridges "rule" the compression world. Tried and true, the Eterna cartridge has impressed specifiers and end-users alike with its rugged quality, flexibility, common sense design and superior value. Eterna is a proven compression cartridge backed by experience and the excellent T&S standard warranty. Its solid brass body is the mark of a true commercial grade product.



## Certification

As a leader in quality manufacturing, T&S Brass proudly displays certificates that demonstrate that we have met the stringent standards developed by the International Standardization Organization (ISO), ASME International, NSF International and CSA International (Canadian Standards Association).

Our company's ISO-9001:2008 certification is based on an evaluation of its performance of the various jobs and processes that potentially affect product quality. T&S guarantees its products will be manufactured to the highest standards in the industry with the finest craftsmanship possible.



Underwriters Laboratories plays a key role in evaluating how T&S meets the ISO-9001:2008 standard. As the Quality Systems Registrar, UL DQS Inc. was responsible for the entire registration process and oversees periodic assessments to help T&S maintain its goal of exceeding customer expectations for quality manufacturing and service.

CSA International handles the vast majority of third-party testing and certifications for T&S Brass products. These product certifications are a further demonstration of our company's commitment to the needs of our customers and their communities. Following an evaluation for both the leaching of contaminants into drinking water from faucets and the mechanical quality standards, T&S pre-rinse units and drinking water and lavatory faucets meet or exceed the NSF/ANSI Standard 61, Section 9 standard for Drinking Water Systems (Health Effects) and the ASME A112.18.1 / CSA B125.1 standard for mechanical quality. In short, T&S products are both safe for use within any drinking water system and adhere to the mechanical quality standards for ease of installation, operation, and reliability.

By meeting or exceeding the standards set by these internationally recognized organizations, we demonstrate our commitment to deliver the highest quality products to customers around the world.



At T&S Brass, we are pleased to take a leading role in innovating and developing AB1953-compliant fixture fittings. Look to T&S's website, [www.tsbrass.com](http://www.tsbrass.com) for news and products related to AB1953 and the newly released NSF/ANSI 372 Drinking Water Systems Components – Lead Content. Contact your sales representative or T&S customer service for more information. And enjoy the confidence that comes with Reliability Built In™.



## Associations



A

# Pre-Rinse Units



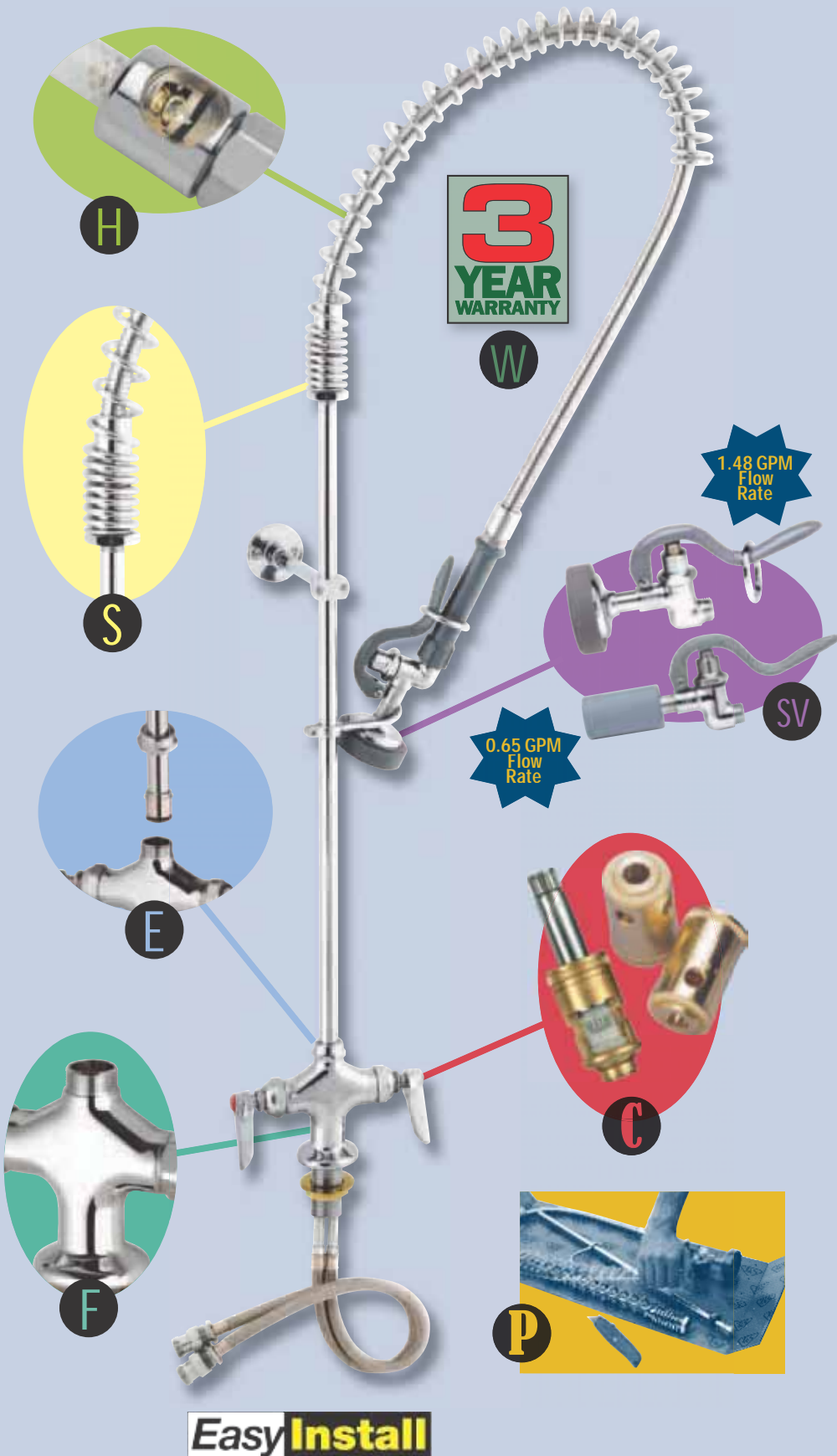
RELIABILITY BUILT IN™







# The Superior Features of a T&S **EasyInstall** Pre-Rinse Unit



## **C** CARTRIDGES

- Interchangeable
- Self-contained and easily replaced
- Ceramic and compression

## **E** EASYINSTALL

- Patented design
- Unique “pop-and-lock” riser connection that takes as little as 10 minutes to install

## **F** FAUCETS

- Forged one-piece base faucet eliminates leaks
- Copper layer over casting makes smoother surface
- Thick chrome plating

## **H** HOSES

- Stainless steel hoses with double interlocked covers for long life
- Sealed ends prevent tears
- Vinyl nylon reinforced inner hose tested to 1200 PSI

## **P** PACKAGING

- Pre-assembled parts are ready for quick installation
- Fewer parts to misplace

## **S** SPRING

- Specially designed spring reinforced at the stress point where hose connects
- Protects and extends life of hose

## **SV** SPRAY VALVES

- Significant water-savings with low-flow rates
- Uncompromising performance
- Tested to over 1.5 million cycles

## **W** WARRANTY

- Long 3-year warranty on your T&S EasyInstall PRU

**EasyInstall**



# Helping You Save Money.



## One Gallon at a Time.

The NEW B-0107-J  
Low Flow Spray Valve has  
CLEANING POWER!



1.07 GPM

### Introducing the NEW B-0107-J with a 1.07 GPM Flow Rate!

We're proud to introduce a new low flow spray valve to the market – the T&S Brass B-0107-J – with a 1.07 GPM @ 60 PSI flow rate. The B-0107-J features significant water- and energy-savings while making pre-rinse tasks easier with its powerful cleaning capability. Tough baked-on foods will come off faster when using the B-0107-J.

#### B-0107-J Features:

- Its intensified power rinsing quickly gets rid of tough baked-on foods
- Consumes 33% less water than other EPA Act 2005 compliant valves (at 1.6 GPM)
- Is AB1953 & ANSI/NSF Standard 61 compliant
- The same great T&S reliability and performance
- Is interchangeable with Fisher spray valves

### How Do I Add the NEW T&S Swivel to my Pre-Rinse Spray Valve?



018200-40 Swivel

### It's Easy To Install the NEW 018200-40 Swivel with 360° Rotation Capability

*Our T&S Swivel will allow a greater range of rotation and motion for your spray valve and is more ergonomic! Here's how to install it:*

1. Unscrew the grey spray handle from the hose and place a new (001014-45) washer in the hose barrel.
2. Start threading the male end of the swivel to the hose. With a 5/16" hex L-key firmly tighten the swivel to the hose.
3. Place the second washer (001014-45) in the swivel end and screw the spray valve handle\* into the swivel using your hands or a 7/8" wrench. Tighten firmly.

That's it – you don't need to do anything else!

*\* If you have a B-0108 series spray valve, tighten the swivel directly to the spray valve.*



B-0100-SWV

# T&S Brass **EasyInstall** Mini Pre-Rinse Line



## The T&S Pre-Rinse Solution For Limited Kitchen Space

In 1947, we introduced the market's first pre-rinse unit to the foodservice industry. Today, T&S pre-rinse units remain the industry standard.

Leading the way in innovation, we are pleased to introduce our new line of T&S Mini Pre-Rinse Units, designed to fit in compact kitchens and in tight spaces.

All T&S Mini Pre-Rinse Units include many of the same high-quality components and features you already find with our standard-sized pre-rinses:

- EasyInstall design saves significant installation time
- B-0109-01 6" Wall Bracket for added stability
- Add-On Faucet with Swivel Nozzle for pot and kettle filling convenience
- Water-conserving Spray Valves

- Wall or deck mount Base Faucet with your choice of Ceramic or Compression Cartridges
- Compact Spring with Flexible Stainless Steel Hose and Finger Hook

### Customizing Made Easy

Options available for each T&S Mini Pre-Rinse Unit allow you to order exactly what you need.

### Examples of Available Models

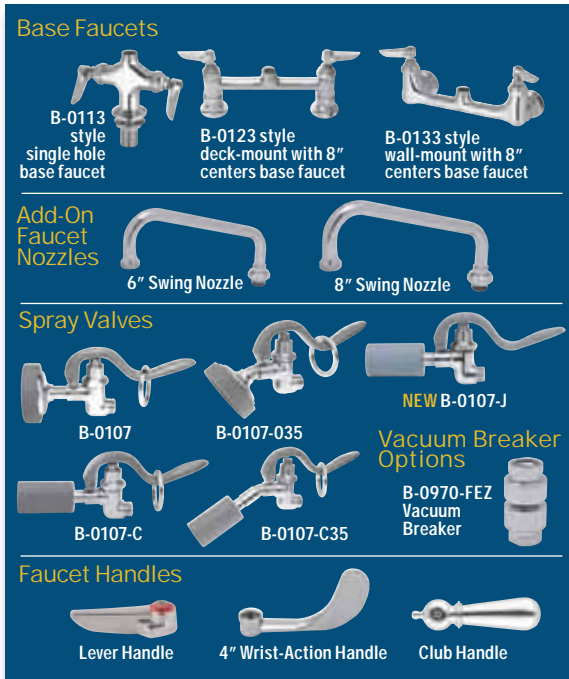
MPY-2DCN-06 – Single deck mount base faucet, add-on faucet, 6" swing nozzle, compact spring and hose with B-0107-C spray valve, 6" wall bracket, club handles

MPZ-2DCN-06 – Single deck mount base faucet, add-on faucet, 6" swing nozzle, compact spring and hose, B-0107 spray valve, 6" wall bracket, club handles

MPZ-2DLN-06 – Single deck mount base faucet, add-on faucet, 6" swing nozzle, compact spring and hose, B-0107 spray valve, 6" wall bracket, lever handles

MPZ-8WCN-06 – 8" Wall mount mixing faucet, add-on faucet, 6" swing nozzle, compact spring and hose, B-0107 spray valve, 6" wall bracket, club handles

MPZ-8WLN-06 – 8" Wall mount mixing faucet, add-on faucet, 6" swing nozzle, compact spring and hose, B-0107 spray valve, 6" wall bracket, lever handles

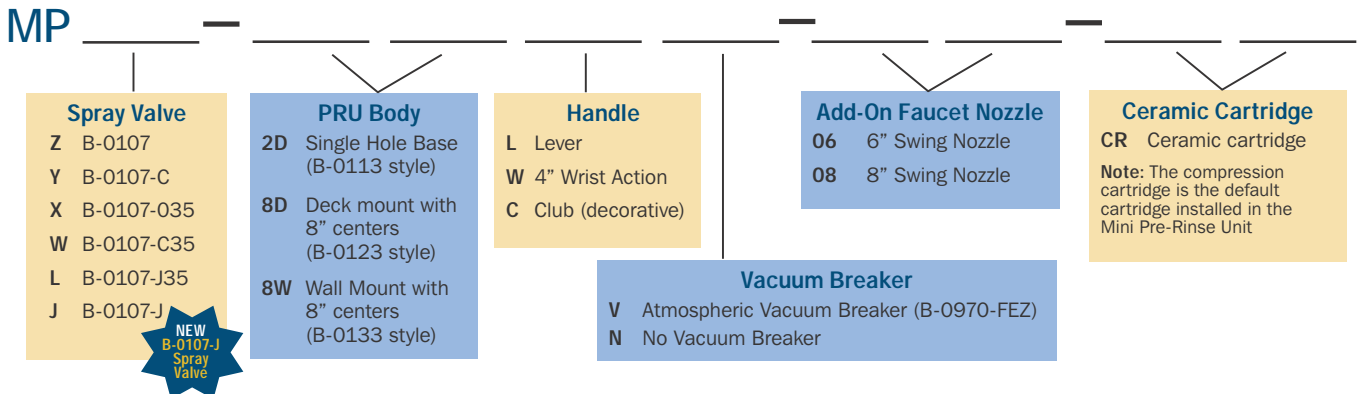


### Mini Pre-Rinse Unit Configurator – Build Your Own Mini Pre-Rinse!

### NEW KITS!

MPZ-KIT-LN06 Retrofit kit with B-0107, Eterna cartridges, add-on faucet with 6" swing nozzle and lever handles

MPZ-KIT-LN06-CR Retrofit kit with B-0107, Cerama cartridges, add-on faucet with 6" swing nozzle and lever handles



# JeTSpray B-0108 Pre-Rinse Units



A  
6



Pre-rinse units with the B-0108 JeTSpray valve (1.48 GPM) comply with EPAct 2005.



- **NEW!** Ergonomic B-0108 JeTSpray valve is powerful and efficient
- Most pre-rinse units are equipped with internal spring checks to prevent cross flow
- Hot Spindle Assembly – 002712-40 • Cold Spindle Assembly – 002711-40



## B-0113-08 Series Pre-Rinse Units



- Single hole base faucet assembly (014207-40) or (B-0113-LN) with EasyInstall™ “pop and lock” riser installation feature
- B-0108 JeTSpray valve (1.48 gpm)
- 18” (457 mm) flexible inlets with 1/2” couplings
- 1/2” NPT male inlets
- 45” (1143 mm) high
- 14-1/2” (368 mm) overhang
- 20-5/8” (524 mm) clearance
- 24” (610 mm) riser (000372-40)
- B-0044-H flexible stainless steel hose
- Spring action gooseneck

### B-0113-08 Series Pre-Rinse Units with B-0108 JeTSpray Valve Models

**B-0113-08** with B-0108 JeTSpray valve, no wall bracket

All other models are same as B-0113-08 except:

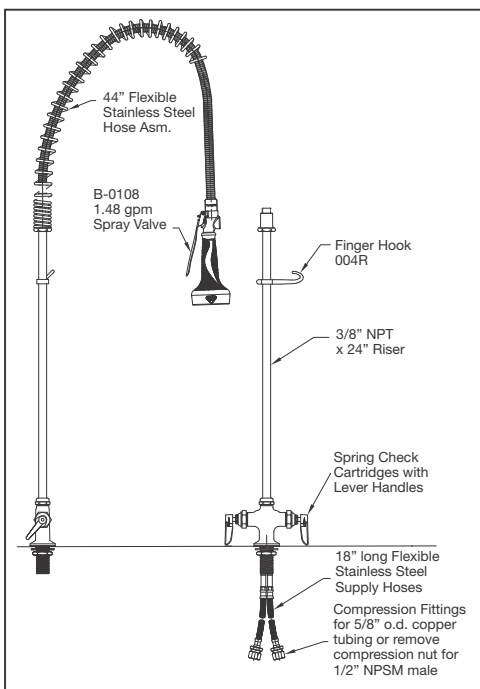
**B-0113-B08** with B-0109-01 wall bracket

**B-0113-A12-B08** with 12” (305 mm) add-on faucet and wall bracket



**Easy Install**

**B-0113-B08**



# Low Flow JetSpray B-0108-C Pre-Rinse Units



Pre-rinse units with the B-0108-C JetSpray valve (0.65 GPM) comply with EPAct 2005.

**EPAct 2005  
Compliant**



- **NEW!** Ergonomic B-0108-C low flow JetSpray valve is powerful and efficient
- Most pre-rinse units are equipped with internal spring checks to prevent cross flow
- Hot Spindle Assembly – 002712-40 • Cold Spindle Assembly – 002711-40

A  
7

## B-0113-08C Series Pre-Rinse Units



**Easy Install**

B-0113-A12-B08C



### **NEW! B-0108-C low flow JetSpray valve (0.65 gpm)**

- Single hole base faucet assembly (014207-40) or (B-0113-LN) with EasyInstall™ "pop and lock" riser installation feature
- 18" (457 mm) flexible inlets with 1/2" couplings
- 1/2" NPT male inlets
- 45" (1143 mm) high
- 14-1/2" (368 mm) overhang
- 20-5/8" (524 mm) clearance
- 24" (610 mm) riser (000372-40)
- B-0044-H flexible stainless steel hose
- Spring action gooseneck

**B-0108-C  
New and  
Improved  
0.65 GPM**

### B-0113-08C Series Pre-Rinse Units with B-0108-C Low Flow JetSpray Valve Models

**B-0113-08C** with B-0108-C low flow JetSpray valve, no wall bracket

All other models are same as B-0113-08C except:

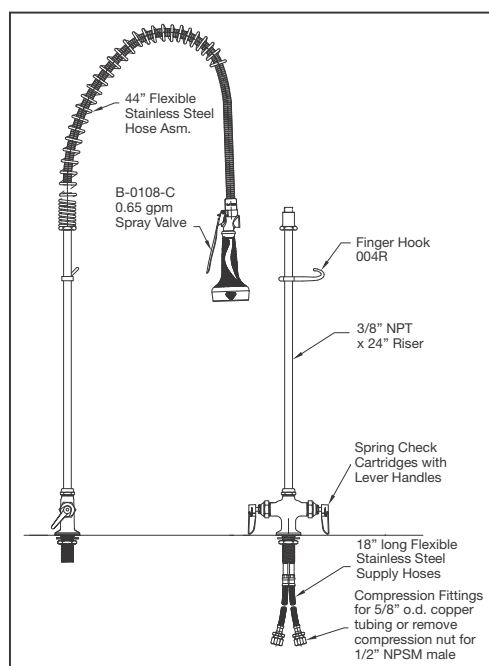
**B-0113-B08C** with B-0109-01 wall bracket

**B-0113-A06-B08C** with 6" (152 mm) add-on faucet and wall bracket

**B-0113-A10-08C** with 10" (254 mm) add-on faucet

**B-0113-A12-08C** with 12" (305 mm) add-on faucet

**B-0113-A12-B08C** with 12" (305 mm) add-on faucet and wall bracket





# JeTSpray B-0108 Pre-Rinse Units

A  
8



Pre-rinse units with the B-0108 JeTSpray valve (1.48 GPM) comply with EPA Act 2005.

EPA Act 2005  
Compliant

- **NEW!** Ergonomic B-0108 JeTSpray valve is powerful and efficient
- Most pre-rinse units are equipped with internal spring checks to prevent cross flow
- Hot Spindle Assembly – 002712-40 • Cold Spindle Assembly – 002711-40



## B-0123-08 Series Pre-Rinse Units



- 8" (203 mm) center deck base faucet assembly (014208-40) with EasyInstall™ "pop and lock" riser installation feature
  - B-0108 JeTSpray valve (1.48 gpm)
  - 44-13/16" (1138 mm) high
  - 14-3/8" (365 mm) overhang
  - 17-3/8" (441 mm) clearance
  - 1/2" NPT female eccentric flanged inlets (00AA)
  - 24" (610 mm) riser (000372-40)
  - B-0044-H flexible stainless steel hose
  - Spring action gooseneck
- Note: Supply nipples sold separately – B-0425 (2 required, see p. A40).

### B-0123-08 Series Pre-Rinse Units with B-0108 JeTSpray Valve Models

**B-0123-08** with B-0108 JeTSpray valve, no wall bracket

All other models are same as B-0123-08 except:

**B-0123-B08** with B-0109-01 wall bracket

**B-0123-A06-B08** with 6" (152 mm) add-on faucet and wall bracket

**B-0123-A10-08** with 10" (254 mm) add-on faucet

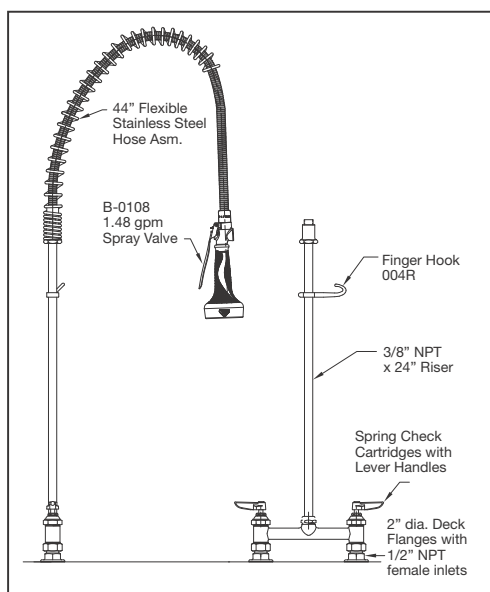
**B-0123-A12-08** with 12" (305 mm) add-on faucet

**B-0123-A12-B08** with 12" (305 mm) add-on faucet and wall bracket



Easy Install

B-0123-B08





# Low Flow JeTSpray B-0108-C Pre-Rinse Units



Pre-rinse units with the B-0108-C JeTSpray valve (0.65 GPM) comply with EPAct 2005.

- **NEW!** Ergonomic B-0108-C low flow JeTSpray valve is powerful and efficient
- Most pre-rinse units are equipped with internal spring checks to prevent cross flow
- Hot Spindle Assembly – 002712-40 • Cold Spindle Assembly – 002711-40



## B-0123-08C Series Pre-Rinse Units



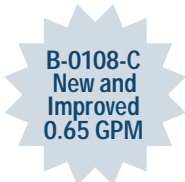
### Easy Install

B-0123-A12-B08C



### NEW! B-0108-C low flow JeTSpray valve (0.65 GPM)

- 8" (203 mm) center deck base faucet assembly (014208-40) with EasyInstall™ "pop and lock" riser installation feature
- 44-13/16" (1138 mm) high
- 14-3/8" (365 mm) overhang
- 17-3/8" (441 mm) clearance
- 1/2" NPT female eccentric flanged inlets (00AA)
- 24" (610 mm) riser (000372-40)
- B-0044-H flexible stainless steel hose
- Spring action gooseneck



Note: Supply nipples sold separately – B-0425 (2 required, see p. A40).

### B-0123-08C Series Pre-Rinse Units with B-0108-C Low Flow JeTSpray Valve Models

**B-0123-08C** with B-0108-C low flow JeTSpray valve, no wall bracket

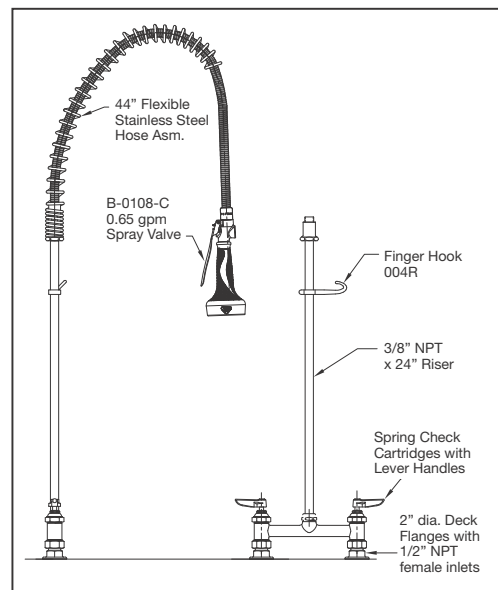
All other models are same as B-0123-08C except:

**B-0123-B08C** with B-0109-01 wall bracket

**B-0123-A10-08C** with 10" (254 mm) add-on faucet

**B-0123-A12-08C** with 12" (305 mm) add-on faucet

**B-0123-A12-B08C** with 12" (305 mm) add-on faucet and wall bracket



# JeTSpray B-0108 Pre-Rinse Units



Pre-rinse units with the B-0108 JeTSpray valve (1.48 GPM) comply with EPA Act 2005.



- **NEW!** Ergonomic B-0108 JeTSpray valve is powerful and efficient
- Most pre-rinse units are equipped with internal spring checks to prevent cross flow
- Hot Spindle Assembly – 002712-40 • Cold Spindle Assembly – 002711-40



## B-0133-08 Series Pre-Rinse Units

- 8" (203 mm) center wall mounted base faucet assembly (014209-40) with EasyInstall™ "pop and lock" riser installation feature
- 35-1/2" (902 mm) high
- B-0108 JeTSpray valve (1.48 GPM)
- 15" (381 mm) overhang
- 8-1/4" clearance (210 mm)
- 1/2" NPT female eccentric flanged inlets (00AA)
- 18" (457 mm) riser (000369-40)
- B-0044-H flexible stainless steel hose
- Spring action gooseneck

Note: Installation Kit sold separately – B-0230-K (1 required, see p. A44).

### B-0133-08 Series Pre-Rinse Units with B-0108 JeTSpray Valve Models

**B-0133-08** with B-0108 JeTSpray valve, no wall bracket

All other models are same as B-0133-08 except:

**B-0133-B08** with B-0109-01 wall bracket

**B-0133-A06-08** with 6" (152 mm) add-on faucet

**B-0133-A08-08** with 8" (203 mm) add-on faucet

**B-0133-A08-B08** with 8" (203 mm) add-on faucet and wall bracket

**B-0133-A10-B08** with 10" (254 mm) add-on faucet and wall bracket

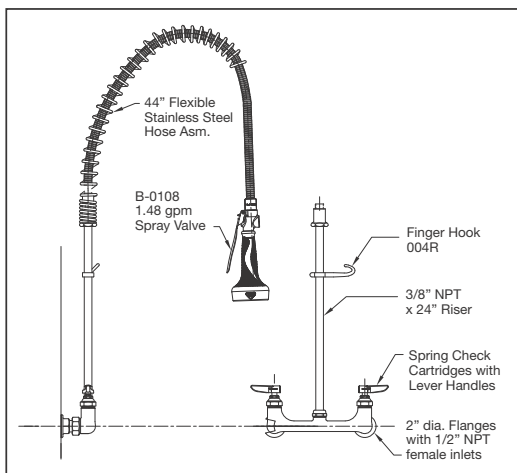
**B-0133-A12-08** with 12" (305 mm) add-on faucet

**B-0133-A12-B08** with 12" (305 mm) add-on faucet and wall bracket



**Easy Install**

**B-0133-B08**



# Low Flow JeTSpray B-0108-C Pre-Rinse Units



Pre-rinse units with the B-0108-C JeTSpray valve (0.65 GPM) comply with EPA Act 2005.

- **NEW!** Ergonomic B-0108-C low flow JeTSpray valve is powerful and efficient
- Most pre-rinse units are equipped with internal spring checks to prevent cross flow
- Hot Spindle Assembly – 002712-40 • Cold Spindle Assembly – 002711-40



## B-0133-08C Series Pre-Rinse Units



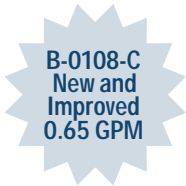
**Easy Install**

B-0133-A12-B08C



### NEW! B-0108-C low flow JeTSpray valve (0.65 GPM)

- 8" (203 mm) center wall mounted base faucet assembly (014209-40) with EasyInstall™ "pop and lock" riser installation feature
- 35-1/2" (902 mm) high
- 15" (381 mm) overhang
- 8-1/4" (210 mm) clearance
- 1/2" NPT female eccentric flanged inlets (00AA)
- 18" (457 mm) riser (000369-40)
- B-0044-H flexible stainless steel hose
- Spring action gooseneck



Note: Installation Kit sold separately – B-0230-K (1 required, see p. A44).

### B-0133-08C Series Pre-Rinse Units with B-0108-C Low Flow JeTSpray Valve Models

**B-0133-08C** with B-0108-C low flow JeTSpray valve, no wall bracket

#### All other models are same as B-0133-08C except:

**B-0133-B08C** with B-0109-01 wall bracket

**B-0133-CR-B08C** with ceramic cartridges and B-0109-01 wall bracket

**B-0133-EE-CR-8C** with ceramic cartridges and 00EE male inlets

#### Add-On Faucet Models:

**B-0133-01-CR-8C** with add-on faucet and 14" (356 mm) swing nozzle, B-0109-02 9" (229 mm) wall bracket and ceramic cartridges

**B-0133-A06-08C** with 6" (152 mm) add-on faucet

**B-0133-A08-08C** with 8" (203 mm) add-on faucet

**B-0133-A08-B08C** with 8" (203 mm) add-on faucet and wall bracket

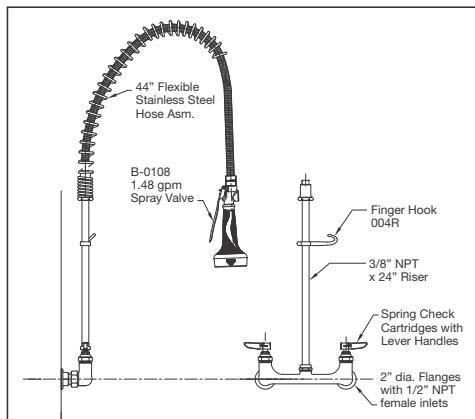
**B-0133-A10-08C** with 10" (254 mm) add-on faucet

**B-0133-A10-B08C** with 10" (254 mm) add-on faucet and wall bracket

**B-0133-A12-08C** with 12" (305 mm) add-on faucet

**B-0133-A12-B08C** with 12" (305 mm) add-on faucet and wall bracket

**B-0133-A12-B8CX** with 12" (305 mm) add-on faucet and 10" (254 mm) riser



# Standard B-0107 Spray Valve Pre-Rinse Units



With Spring Action Gooseneck

Pre-rinse units with the redesigned B-0107 spray valve (1.42 GPM) comply with EPA Act 2005.

EPA Act 2005 Compliant

- Most pre-rinse units are equipped with internal spring checks to prevent cross flow.
- Hot Spindle Assembly – 002712-40
- Cold Spindle Assembly – 002711-40

## B-0113-B Series Pre-Rinse Units

- Single hole base faucet assembly (014207-40) or (B-0113-LN) with EasyInstall™ “pop and lock” riser installation feature
- B-0109-01 6” (152 mm) wall bracket
- 18” (457 mm) flexible inlets with 1/2” couplings
- B-0107 spray valve (1.42 GPM)
- 1/2” NPT male inlets
- 45” (1143 mm) high
- 14” (356 mm) overhang
- 24” (610 mm) riser (000372-40)
- 19-3/8” (492 mm) clearance
- B-0044-H flexible stainless steel hose

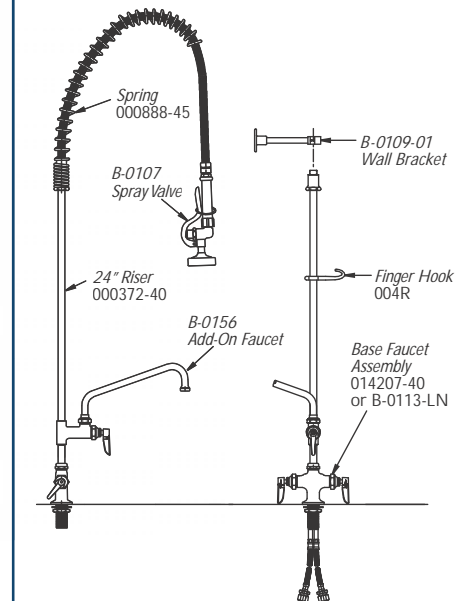
Note: Universal body accepts flex lines and spreader yoke

**EasyInstall**

B-0113-B



### B-0113 Add-On Faucet Series



**NEW Pre-Rinse Models!**

### B-0113-B Series Pre-Rinse Units with B-0107 Spray Valve Models

**B-0113** without B-0109-01 wall bracket

All other models are same as B-0113 except:

**B-0113-01BY** with 4” spreader unit and 6” wall bracket

**B-0113-079X-V-B** with vacuum breaker and 10” (254 mm) riser

**B-0113-12-CRVB** with ceramic cartridges, add-on faucet, 12” swing nozzle and vacuum breaker

**B-0113-A12B-TEE** with add-on faucet, 12” swing nozzle, B-0109-01 wall bracket and accessory fitting tee

**B-0113-B** with B-0109-01 wall bracket

**B-0113-B-SWV** with B-0109-01 wall bracket and swivel

**B-0113-B-TEE** with B-0109-01 wall bracket and accessory fitting tee

**B-0113-B9** with B-0109-02 9” (229 mm) wall bracket

**B-0113-BM** B-0113-B Master Box (6)

**B-0113-BR** with B-0044-R PVC hose

**B-0113-BY** with spreader unit

**B-0113-CR** with ceramic cartridges

**B-0113-CR-B** with ceramic cartridges and B-0109-01 wall bracket

**B-0113-CR-V-B** with ceramic cartridges, B-0109-01 wall bracket and B-0970-FEZ EasyInstall vacuum breaker

**B-0113-M** Master Box (6)

**B-0113-Y** Same as B-0113-BY except without B-0109-01 wall bracket

### B-0113 Series Pre-Rinse Units with Add-On Faucet (-A\_\_ Models)

**B-0113-ADF08-B** with 8” (203 mm) add-on faucet and wall bracket

**B-0113-ADF10-B** with 10” (254 mm) add-on faucet and wall bracket

**B-0113-ADF10-BR** with 10” (254 mm) add-on faucet, wall bracket and brush attachment (BR-10)

**B-0113-ADF12** with 12” (305 mm) add-on faucet

**B-0113-ADF12-B** with 12” (305 mm) add-on faucet and wall bracket



# Standard B-0107 Spray Valve Pre-Rinse Units



With Spring Action Gooseneck

Pre-rinse units with the redesigned B-0107 spray valve (1.42 GPM) comply with EPAct 2005.

- Most pre-rinse units are equipped with internal spring checks to prevent cross flow.
- Hot Spindle Assembly – 002712-40
- Cold Spindle Assembly – 002711-40



## B-0123-B Series Pre-Rinse Units

- 8" (203 mm) center deck base faucet assembly (014208-40) with EasyInstall™ "pop and lock" riser installation feature
- B-0109-01 6" (152 mm) wall bracket
- 44-13/16" (1138 mm) high
- B-0107 spray valve (1.42 GPM)
- 14" (356 mm) overhang
- 17-3/8" (441 mm) clearance
- 1/2" NPT female eccentric flanged inlets (00AA)
- 24" (610 mm) riser (000372-40)
- B-0044-H flexible stainless steel hose

Note: Supply nipples sold separately – B-0425 (2 required, see p. A40).

### B-0123-B Series Pre-Rinse Units with B-0107 Spray Valve Models

**B-0123** without B-0109-01 wall bracket

All other models are same as B-0123 except:

**B-0123-B** with B-0109-01 wall bracket

**B-0123-B9** with B-0109-02 9" (229 mm) wall bracket

**B-0123-BM** Master Box (6)

**B-0123-CR** with ceramic cartridges

**B-0123-CRCCVB** with ceramic cartridges, 00CC inlets, add-on faucet with 12" swing nozzle and vacuum breaker

**B-0123-CR-B** with ceramic cartridges and B-0109-01 wall bracket

**B-0123-CR-CCV-B** with ceramic cartridges, 00CC inlets, add-on faucet with 12" swing nozzle, vacuum breaker and B-0109-01 wall bracket

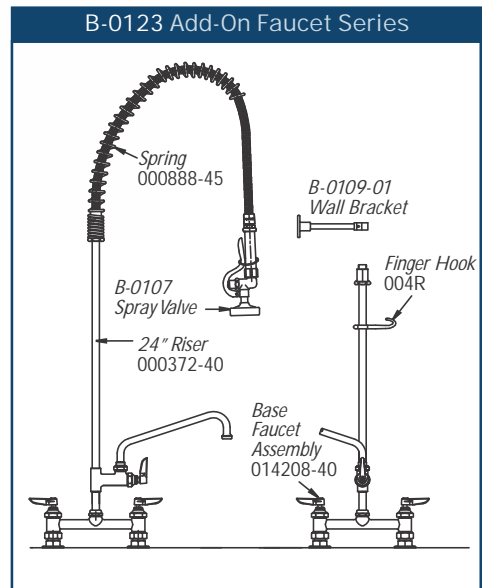
**B-0123-M** Master Box (6)

**B-2288** same as B-0123-B except with 4" (102 mm) centers (002667-40)



**Easy Install**

B-0123-B



### B-0123-B Series Pre-Rinse Units with Add-On Faucet (-A\_\_ Models)

**B-0123-ADF06-B** with 6" (152 mm) add-on faucet and wall bracket

**B-0123-ADF08** with 8" (203 mm) add-on faucet

**B-0123-ADF08-B** with 8" (203 mm) add-on faucet and wall bracket

**B-0123-ADF10-B** with 10" (254 mm) add-on faucet and wall bracket

**B-0123-ADF12** with 12" (305 mm) add-on faucet

**B-0123-ADF12-B** with 12" (305 mm) add-on faucet and wall bracket

# Standard B-0107 Spray Valve Pre-Rinse Units



With Spring Action Gooseneck

Pre-rinse units with the redesigned B-0107 spray valve (1.42 GPM) comply with EPAct 2005.

- Most pre-rinse units are equipped with internal spring checks to prevent cross flow.
- Hot Spindle Assembly – 002712-40
- Cold Spindle Assembly – 002711-40



## B-0133-B Series Pre-Rinse Units

- 8" (203 mm) center wall mounted base faucet assembly (014209-40) with EasyInstall™ "pop and lock" riser installation feature
- 8-1/4" (210 mm) clearance
- B-0109-01 6" (152 mm) wall bracket
- B-0107 spray valve (1.42 GPM)
- 1/2" NPT female eccentric flanged inlets (00AA)
- 18" (457 mm) riser (000369-40)
- B-0044-H flexible stainless steel hose
- 35-1/2" (902 mm) high
- 15" (381 mm) overhang

Note: Installation Kit sold separately – B-0230-K (1 required, see p. A44; or order a B-0133-B-02).

### B-0133-B Series Pre-Rinse Units with B-0107 Spray Valve Models

**B-0133** without B-0109-01 wall bracket

All other models are same as B-0133 except:

**B-0133-B** with B-0109-01 wall bracket

**B-0133-01** includes add-on faucet with 14" nozzle (B-0158) and B-0056-H hose

**B-0133-01-36H** includes 00CC inlets, add-on faucet with 14" (356 mm) swing nozzle and 36" (B-0036-H) hose

**B-0133-01-CR** same as B-0133-01 with ceramic cartridges

**B-0133-12-CRVBE** includes add-on faucet, ceramic cartridges, vacuum breaker and B-0230-K

**B-0133-B-02** with B-0230-K Installation Kit

**B-0133-B-SWV** with B-0109-01 wall bracket and swivel

**B-0133-B-TEE** with B-0109-01 wall bracket and accessory fitting tee

**B-0133-B9** with 9" B-0109-02 wall bracket

**B-0133-B9M** Master Box (6)

**B-0133-BM** Master Box (6)

**B-0133-BQD** with B-019-01 wall bracket and quick-disconnect hose

**B-0133-BR-B** with B-0109-01 wall bracket, brush attachment, supply stops and supply hoses

**B-0133-BR** with B-0109-01 wall bracket and B-0044-R PVC hose

**B-0133-CC** with 1/2" NPT male inlets (00CC)

**B-0133-CCB** 1/2" NPT male inlets (00CC), B-0109-01 wall bracket

**B-0133-CCB-CR** same as B-0133-01 with B-0109-01 wall bracket, 00CC inlets and ceramic cartridges

**B-0133-CCB-M** Master Box (6)

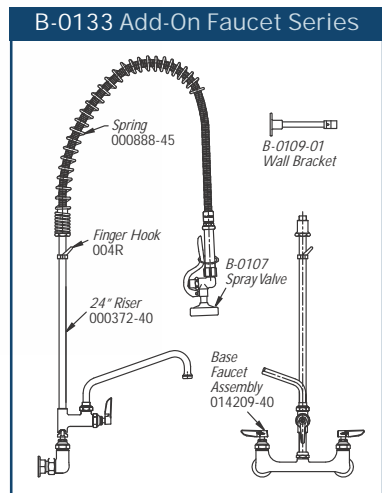
**B-0133-CR** with ceramic cartridges

**B-0133-CR-B** with ceramic cartridges, B-0109-01 wall bracket



**Easy Install**

B-0133-B



**B-0133-CR-V-BE** with ceramic cartridges, vacuum breaker, B-0230-K

**B-0133-EE-B** with 1-1/2" NPT male inlets, B-0109-01 wall bracket

**B-0133-EE-BM** Master Box (6)

**B-0133-LB** with riser, hose and spray valve, less base faucet

**B-0133-M** Master Box (6)

**B-0133-V-B** with vacuum breaker and B-0109-01 wall bracket

**B-0133-V-B-68H** with vacuum breaker, B-0109-01 wall bracket and 68" (1727 mm) flexible stainless steel hose

(B-0133 Chart of models continues top of next page)



## Standard B-0107 Spray Valve Pre-Rinse Units



With Spring Action Gooseneck

Pre-rinse units with the redesigned B-0107 spray valve (1.42 GPM) comply with EPA Act 2005.

- Most pre-rinse units are equipped with internal spring checks to prevent cross flow.
- Hot Spindle Assembly – 002712-40 • Cold Spindle Assembly – 002711-40



### B-0133 Series Pre-Rinse Units with Add-On Faucet (-A\_\_ Models)

**B-0133-A12B-TEE** with 12" (305 mm) add-on faucet, wall bracket and accessory fitting tee

**B-0133-ADF06** with 6" (152 mm) add-on faucet

**B-0133-ADF06-B** with 6" (152 mm) add-on faucet and wall bracket

**B-0133-ADF08** with 8" (203 mm) add-on faucet

**B-0133-ADF08-B** with 8" (203 mm) add-on faucet and wall bracket

**B-0133-ADF10-B** with 10" (254 mm) add-on faucet and wall bracket

**B-0133-ADF10-BR** with 10" (254 mm) add-on faucet, wall bracket and brush attachment

**B-0133-ADF12** with 12" (305 mm) add-on faucet

**B-0133-ADF12-B** with 12" (305 mm) add-on faucet and wall bracket

**B-0133-ADF12-BM** Master Pack (6)

**B-0133-ADF12-BR** with 12" (305 mm) add-on faucet, wall bracket and brush attachment

**B-0133-A12-CCB** with 12" (305 mm) add-on faucet, wall bracket and 1/2" NPT CC inlets

**B-0133-A14-CCB** with 14" (356 mm) add-on faucet, wall bracket and 1/2" NPT CC inlets

**B-0133-ADF14-B** with 14" (356 mm) add-on faucet and wall bracket

**B-0133-ADF14-BR** with 14" (356 mm) add-on faucet, wall bracket and brush attachment

**B-0133-ADF16-BR** with 16" (406 mm) add-on faucet, wall bracket and brush attachment

**B-0133-ADF-LN** with add-on faucet body less nozzle

### B-2278 Series Pre-Rinse Units

- 8" (203 mm) center wall mounted base faucet assembly (014209-40) with EasyInstall™ "pop and lock" riser installation feature
- 7-1/2" (193 mm) clearance • 36-15/16" (939 mm) high
- 14" (357 mm) overhang • B-0109-01 6" (152 mm) wall bracket
- Includes supply nipples (B-0425) • B-0970-FEZ vacuum breaker
- B-0107 spray valve (1.42 GPM) • 18" (457 mm) riser (000369-40)
- 1/2" NPT female eccentric flanged inlets (00AA)
- B-0044-H flexible stainless steel hose • 004R finger hook

### B-2278 Series Pre-Rinse Units with B-0107 Spray Valve Models

**B-2278** with B-0109-01 wall bracket

All other models are same as B-2278 except:

**B-2278-01** with B-0156 add-on faucet, 12" (305 mm) swing nozzle

**B-2278-01-CR** with ceramic cartridges with check valves

**B-2278-02** same as B-2278 except with B-0107-C low flow spray valve

**B-2278-02-CR** with ceramic cartridges with check valves

**B-2278-03** same as B-2278 except with 18-1/2" (470 mm) clearance

**B-2278-03-CR** with ceramic cartridges with check valves

**B-2278-0440-CR** with in-line continuous vacuum breaker and ceramic cartridges with check valves

**B-2278-A12CRCEL** with short els with 1/2" NPT female inlets and add-on faucet with 12" (305 mm) swing nozzle, ceramic cartridges with check valves

### Easy Install



B-2278

**B-2278-ADF** with add-on faucet with 12" (305 mm) swing nozzle

**B-2278-B9** with 9" (229 mm) wall bracket

**B-2278-CR** with ceramic cartridges with check valves

**B-2278-CR-C-EL** with ceramic cartridges and short els with 1/2" NPT female inlets and B-0107-C low flow spray valve

# Standard B-0107 Spray Valve Pre-Rinse Units



## With Spring Action Gooseneck

Pre-rinse units with the redesigned B-0107 spray valve (1.42 GPM) comply with EPAct 2005.

- Most pre-rinse units are equipped with internal spring checks to prevent cross flow.
- Hot Spindle Assembly – 002712-40
- Cold Spindle Assembly – 002711-40



A  
16

### B-0143 Pre-Rinse Unit

- Remote control valve (B-0512)
- 1/2" NPSM shank
- 42-1/8" (1070 mm) high
- 14" (356 mm) overhang
- 16-7/16" (418 mm) clearance
- 24" (610 mm) riser (000372-40)
- B-0107 spray valve
- B-0044-H flexible stainless steel hose

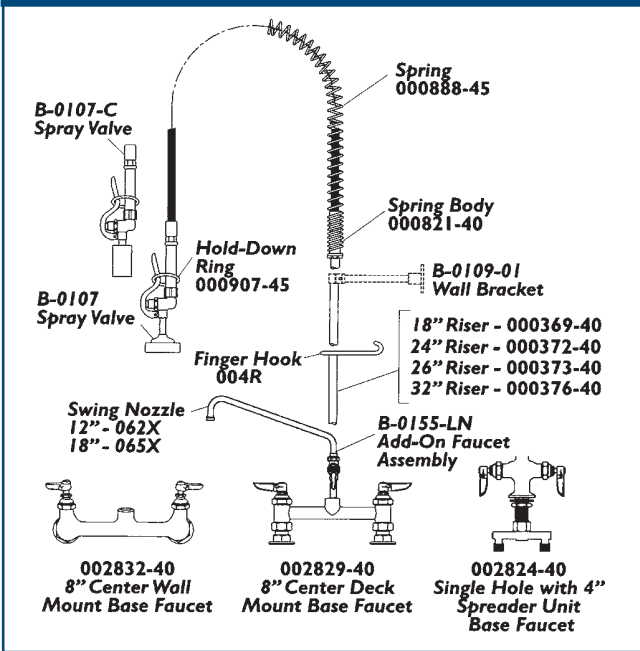
Note: This pre-rinse unit requires separate check valves. Piping between remote control valve and pre-rinse supplied by others.

**B-0143-01** same as B-0143 except less B-0512 remote valve

**Check Valves for B-0143**  
 B-CVH1-2 for horizontal or vertical use, 1/2" NPT female  
 B-CVH3-4 for horizontal or vertical use, 3/4" NPT female  
 Furnished in rough brass



### Spring Action Gooseneck Exploded View



### B-0153 Pre-Rinse Unit

- With foot pedal valve control (B-0502)
- 1/2" NPSM shank
- 42-1/8" (1070 mm) high
- 14-3/4" (375 mm) overhang
- 16-9/16" (421 mm) clearance
- 24" (610 mm) riser (000372-40)
- Spray valve (001A) and adapter (000552-25)
- B-0044-H flexible stainless steel hose

Note: This pre-rinse unit requires separate check valves. Piping between remote control valve and pre-rinse supplied by others.

**Check Valves for B-0153**  
 B-CVH1-2 for horizontal or vertical use, 1/2" NPT female  
 B-CVH3-4 for horizontal or vertical use, 3/4" NPT female  
 Furnished in rough brass



### B-0163 Pre-Rinse Unit

- Splash mounted faucet 4" (102 mm) centers (mounted behind splashback with handles)
- 35-7/8" (911 mm) high
- 14" (356 mm) overhang
- 10-1/4" (260 mm) clearance
- 1/2" NPT female inlets (facing down)
- 18" (457 mm) riser (000369-40)
- B-0107 spray valve
- B-0044-H flexible stainless steel hose

Note: This pre-rinse unit requires separate check valves.

**Check Valves for B-0163**  
 B-CVH1-2 for horizontal or vertical use, 1/2" NPT female  
 B-CVH3-4 for horizontal or vertical use, 3/4" NPT female  
 Furnished in rough brass





# Standard B-0107 Spray Valve Pre-Rinse Units



## With Spring Action Gooseneck

Pre-rinse units with the redesigned B-0107 spray valve (1.42 GPM) comply with EPA Act 2005.

- Most pre-rinse units are equipped with internal spring checks to prevent cross flow.
- Hot Spindle Assembly – 002712-40
- Cold Spindle Assembly – 002711-40



### B-0173 Pre-Rinse Unit

- Single hole base faucet with 4" (102 mm) spreader unit
- 45-1/2" (1155 mm) high
- 14" (356 mm) overhang
- 19-13/16" clearance (504 mm)
- 24" (610 mm) riser (000372-40)
- B-0107 spray valve (1.42 GPM)
- B-0044-H flexible stainless steel hose
- Includes spring checks

**B-0173-B** with B-0109-03  
12" (305 mm) wall bracket



### B-2187 Pre-Rinse Unit

- 8" (203 mm) center wall mount faucet
- 46-13/16" (1188 mm) high
- 14" (356 mm) overhang
- 18" (457 mm) riser model (00369-40)
- B-0044-R PVC hose
- B-0107 spray valve (1.42 GPM)
- B-0109-01 6" (152 mm) wall bracket
- 1/2" NPT female eccentric flanged inlets (00AA)
- Add-on faucet with 14" swing nozzle (B-0158)

Note: Also available with 1/2" NPT male inlets and locknuts (00CC) on faucet in place of female inlets.

Note: Installation Kit sold separately – B-0230-K (1 required, see p. A44).

**B-2187-01** with 14" (356 mm) add-on faucet  
**B-2180** with 18" (457 mm) add-on faucet  
**B-2194** with 16" (406 mm) add-on faucet and 12" (305 mm) wall bracket



### B-2223 Pre-Rinse Unit

- 6" (152 mm) center deck mounted base faucet (008963-40)
- 49-3/8" (1254 mm) high
- 14" (356 mm) overhang
- 23-3/4" (603 mm) clearance
- 1/2" NPT female eccentric flanged inlets (00AA)
- 24" (610 mm) riser model (000372-40)
- B-0107 spray valve (1.42 GPM)
- B-0044-H flexible stainless steel hose
- B-0109-01 6" (152 mm) wall bracket

Note: Installation Kit sold separately – B-0230-K (2 required, see p. A44).



### B-2261-B Pre-Rinse Unit

- Wall mounted base faucet with adjustable inlet arms from 2-1/4" to 8-1/4" (57 mm to 210 mm) centers
- 40-1/2" (1028 mm) high
- 14" (356 mm) overhang
- 14-13/16" (377 mm) clearance
- 1/2" NPT female inlets
- 18" (457 mm) riser model (000369-40)
- B-0107 spray valve (1.42 GPM)
- B-0044-H flexible stainless steel hose
- B-0109-01 6" (152 mm) wall bracket

**B-2261** without B-0109-01  
6" (152 mm) wall bracket



# Standard B-0107 Spray Valve Pre-Rinse Units



With Spring Action Gooseneck

Pre-rinse units with the redesigned B-0107 spray valve (1.42 GPM) comply with EPAct 2005.

- Most pre-rinse units are equipped with internal spring checks to prevent cross flow.
- Hot Spindle Assembly – 002712-40
- Cold Spindle Assembly – 002711-40



A  
18

## B-2285 Pre-Rinse Unit

- Single hole base faucet
- Fits sink top to 1-3/4" (44 mm) thick
- 45-1/2" (1155 mm) high
- 14" (356 mm) overhang
- 19-7/8" (504 mm) clearance
- 1/2" male NPSM threaded inlet
- 24" riser model (000372-40)
- B-0107 spray valve (1.42 GPM)
- B-0044-H flexible stainless steel hose

**B-2285-B** with B-0109-01  
6" (152 mm) wall bracket



## B-2338 Pre-Rinse Unit

- Single hole base faucet with 4" (102 mm) spreader unit and 1/2" NPT male inlets
- 43-9/16" (1106 mm) high
- 14" (356 mm) overhang
- 12-1/8" (308 mm) swing nozzle clearance
- 18" (457 mm) riser model (000369-40)
- B-0107 spray valve (1.42 GPM)
- B-0044-H flexible stainless steel hose
- B-0156 add on faucet with 12" (305 mm) nozzle
- B-0109-01 6" (152 mm) wall bracket

**B-2338-CR** with ceramic cartridges



## B-2349 Pre-Rinse Unit

- Single hole base faucet with flexible stainless steel hoses with compression fitting for 5/8" O.D. copper tubing
- 45-1/2" (1156 mm) high
- 14" (356 mm) overhang
- 19-13/16" (503 mm) clearance
- 24" (610 mm) riser model (000372-40)
- B-0107 spray valve (1.42 GPM)
- B-0044-H flexible stainless steel hose
- B-0109-03 12" (305 mm) wall bracket



## B-2338-08C Pre-Rinse Unit

- Single hole base faucet with 4" (102 mm) spreader unit and 1/2" NPT male inlets
- Ceramic cartridges
- 43-9/16" (1106 mm) high
- 14" (356 mm) overhang
- 12-1/8" (308 mm) swing nozzle clearance
- 18" (457 mm) riser model (000369-40)
- B-0108-C low flow JeTSpray valve (0.65 GPM)
- B-0044-H flexible stainless steel hose
- B-0156 add on faucet with 12" (305 mm) nozzle
- B-0109-01 6" (152 mm) wall bracket



**B-0108-C**  
New and Improved  
0.65 GPM





# Standard B-0107 Spray Valve Pre-Rinse Units



With Overhead Swivel Arm

Pre-rinse units with the redesigned B-0107 spray valve (1.42 GPM) comply with EPA Act 2005.

- Most pre-rinse units are equipped with internal spring checks to prevent cross flow.
- Hot Spindle Assembly – 002712-40
- Cold Spindle Assembly – 002711-40

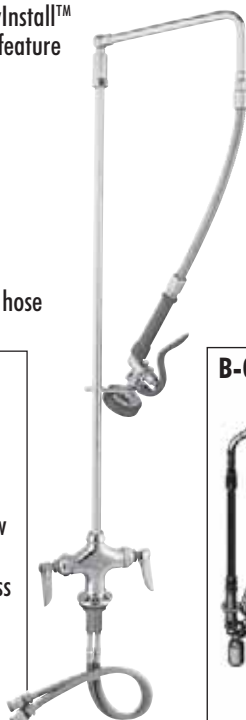
EPAct 2005 Compliant

## B-0111 Pre-Rinse Unit

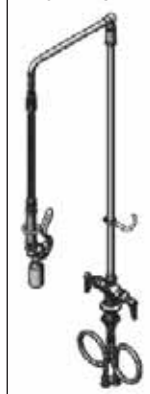
**EasyInstall**

- Single hole base faucet with EasyInstall™ “pop and lock” riser installation feature
- 18” (457 mm) flexible inlets with 1/2” couplings
- 38-3/8” (975 mm) high
- 9” (229 mm) clearance
- 12” (305 mm) swivel arm
- B-0107 spray valve (1.42 GPM)
- 32” (610 mm) riser (000376-40)
- B-0020-H flexible stainless steel hose

- B-0111-B** with B-0109-01 6” (152 mm) wall bracket
- B-0111-BC** with B-0109-01 6” (152 mm) wall bracket and B-0107-C low-flow spray valve
- B-0111-C** with B-0107-C low flow spray valve
- B-0111-02** same as B-0111-B less base faucet
- B-0111-BR** with B-0109-01 6” (152 mm) wall bracket and B-0020-R PVC hose
- B-0112** 18” (457 mm) swivel arm, 38” (969 mm) riser model (000377-40), 44” (1117 mm) high



B-0111-C



## B-0121 Pre-Rinse Unit

- 8” (203 mm) center deck mount faucet (002829-40)
- 1/2” NPT female eccentric flanged inlets (00AA)
- 38-3/8” (975 mm) high
- 8-3/8” (213 mm) clearance
- 12” (305 mm) swivel arm
- 32” (823 mm) riser (000376-40)
- B-0107 spray valve (1.42 GPM)
- B-0020-H flexible stainless steel hose

Note: Supply nipples sold separately – B-0425 (2 required, see p. A40).

- B-0122** with 18” (457 mm) swivel arm, 38” (969 mm) riser (000377-40), 44” (1117 mm) high



## B-0131 Pre-Rinse Unit

- 8” (203 mm) center wall mounted faucet (002832-40)
- 30” (762 mm) high
- 1/2” NPT female eccentric flanged inlets (00AA)
- 12” (305 mm) swivel arm
- 26” (660 mm) riser (000373-40)
- B-0107 spray valve (1.42 GPM)
- B-0020-H flexible stainless steel hose

Note: Installation Kit sold separately – B-0230-K (1 required, see p. A44).



- B-0131-ADF12-BC** with 12” (305 mm) add-on faucet, B-0107-C low flow spray valve and 6” (152 mm) B-0109-01 wall bracket

- B-0131-ADF14-B** same as B-0131 except with 14” add-on faucet (B-0158) and 6” wall bracket (B-0109-01)

- B-0131-B** with 6” (152 mm) B-0109-01 wall bracket

- B-0131-BC** same as B-0131 except with B-0107-C low-flow spray valve and 6” wall bracket (B-0109-01)

- B-0131-BC-28H** same as B-0131 except with B-0107-C low-flow spray valve and 28” (711 mm) B-0028-H stainless steel hose

- B-0131-BC-425** same as B-0131 except with B-0107-C low-flow spray valve, 6” wall bracket (B-0109-01) and B-0425 supply kits

- B-0131-CR-B** same as B-0131 except with B-0109-01 wall bracket and ceramic cartridges

- B-0131-CR-B08C** same as B-0131 except with ceramic cartridges, B-0108-C low-flow JeTSpray valve and B-0109-01 wall bracket

- B-0131-CR-B28H** same as B-0131 except with ceramic cartridges, B-0109-01 wall bracket and 28” (711 mm) B-0028-H stainless steel hose

- B-0132** with 18” (457 mm) swivel arm, 32” (823 mm) riser, 36” (914 mm) high

NEW Pre-Rinse Models!

# Standard B-0107 Spray Valve Pre-Rinse Units



With Overhead Swivel Arm

Pre-rinse units with the redesigned B-0107 spray valve (1.42 GPM) comply with EPA Act 2005.

- Most pre-rinse units are equipped with internal spring checks to prevent cross flow.
- Hot Spindle Assembly – 002712-40
- Cold Spindle Assembly – 002711-40



A  
20

## B-0141 Pre-Rinse Unit

- Remote control valve (B-0512)
- 35-5/8" (906 mm) high
- 3-3/8" (86mm) to bottom of tailpiece
- 1/2" NPSM male shank
- 12" (305 mm) swivel arm
- 32" (889 mm) riser (000376-40)
- B-0107 spray valve (1.42 GPM)
- B-0020-H flexible stainless steel hose

Note: This unit requires separate check valves.

### Check Valves for B-0141

B-CVH1-2 for horizontal or vertical use, 1/2" NPT female  
 B-CVH3-4 for horizontal or vertical use, 3/4" NPT female  
 Furnished in rough brass



## B-0171 Pre-Rinse Unit

- Single hole base faucet with 4" (102 mm) spreader unit
- 37-7/8" (962 mm) high
- 8-3/8" (213 mm) clearance
- Volume controls with screwdriver slots on spreader
- 12" (305 mm) swivel arm
- 32" (823 mm) riser (000376-40)
- B-0107 spray valve (1.42 GPM)
- B-0020-H flexible stainless steel hose

**B-0171-01** same as B-0171 except with B-0119 bi-pod support rods wall bracket



## Pre-Rinse Accessories

See complete line of pre-rinse accessories on pages A34-A41



**B-0107 Spray Valve**  
1.42 GPM



**B-0107-C Spray Valve**  
0.65 GPM



**B-0107-J Spray Valve**  
1.07 GPM



**B-0107-035 Spray Valve**  
1.42 GPM

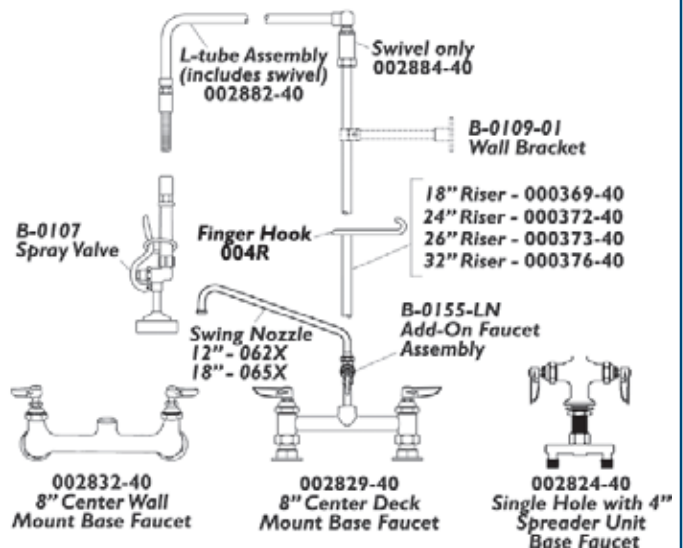


**B-0156 Add-On Faucet**  
with 12" swing nozzle



Various length swing nozzles available on page A37

## Overhead Swivel Arm Exploded View





# Standard B-0107 Spray Valve Pre-Rinse Units



With Roto-Flex Design

Pre-rinse units with the redesigned B-0107 spray valve (1.42 GPM) comply with EPA Act 2005.

- Most pre-rinse units are equipped with internal spring checks to prevent cross flow.
- Hot Spindle Assembly – 002712-40
- Cold Spindle Assembly – 002711-40



## B-0114-01 Pre-Rinse Unit

- Single hole base faucet with 4" (102 mm) spreader unit (002824-40)
- 1/2" NPT male inlets
- Fits countertops up to 1 1/2" thick
- 42" (1067 mm) high at normal hanging position
- 21-1/2" (646 mm) overhang at maximum pull down position
- 1" (25 mm) clearance in maximum pull down position
- B-0107 spray valve (1.42 GPM)

**B-0114-01B** with B-0109-01 6" (152 mm) wall bracket  
**B-0114-02** 35-1/2" (902 mm) high in normal hanging position  
**B-0174** with single supply base with 4" (102 mm) spreader assembly



## B-0124 Pre-Rinse Unit

- 8" (203 mm) center deck faucet (002829-40)
- 1/2" NPT female eccentric flanged inlets (00AA)
- 42" (1067 mm) high at normal hanging position
- 21-1/2" (646 mm) overhang at maximum pull down position
- 1" (25 mm) clearance in maximum pull down position
- B-0107 spray valve (1.42 GPM)

Note: Supply nipples sold separately – B-0425 (2 required, see p. A40).



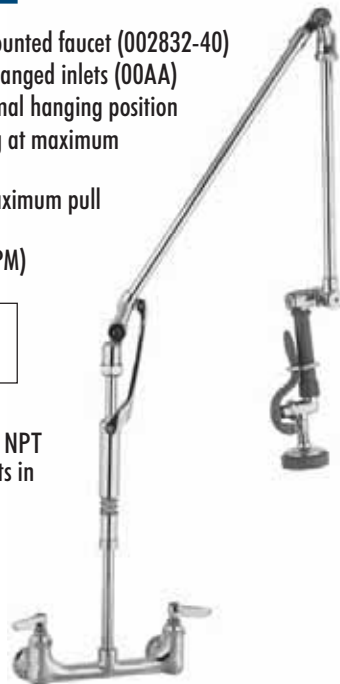
## B-0134 Pre-Rinse Unit

- 8" (203 mm) center wall mounted faucet (002832-40)
- 1/2" NPT female eccentric flanged inlets (00AA)
- 40" (1016 mm) high at normal hanging position
- 21-1/2" (646 mm) overhang at maximum pull down position
- 1" (25 mm) clearance in maximum pull down position
- B-0107 spray valve (1.42 GPM)

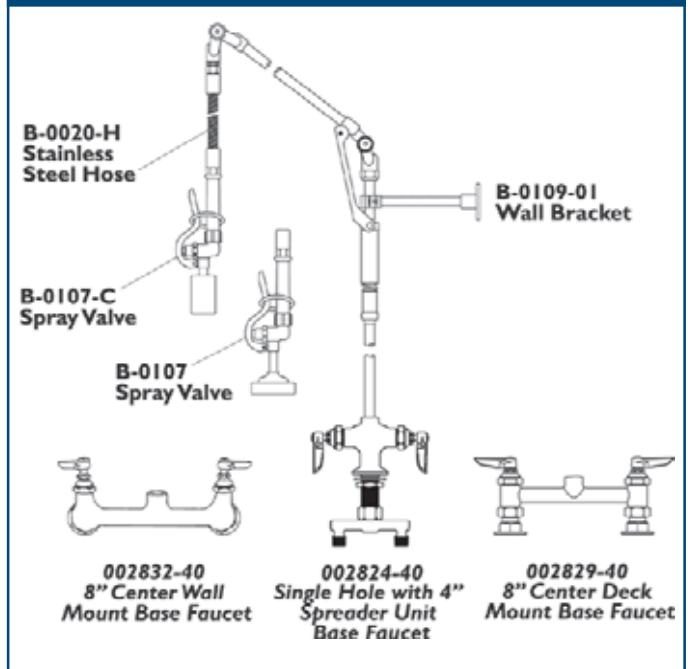
**B-0134-B** with B-0109-01 6" (152 mm) wall bracket

Note: Also available with 1/2" NPT male inlets (00CC) and locknuts in place of female inlets.

Note: Installation Kit sold separately – B-0230-K (1 required, see p. A44).



## Roto-flex Pre-Rinse Exploded View



# Standard B-0107 Spray Valve Pre-Rinse Units



With Big-Flo Faucets

Pre-rinse units with the redesigned B-0107 spray valve (1.42 GPM) comply with EPA Act 2005.

- Pre-rinse units with Big-Flo faucets: Hot and Cold Spindle Assembly – 006482-40



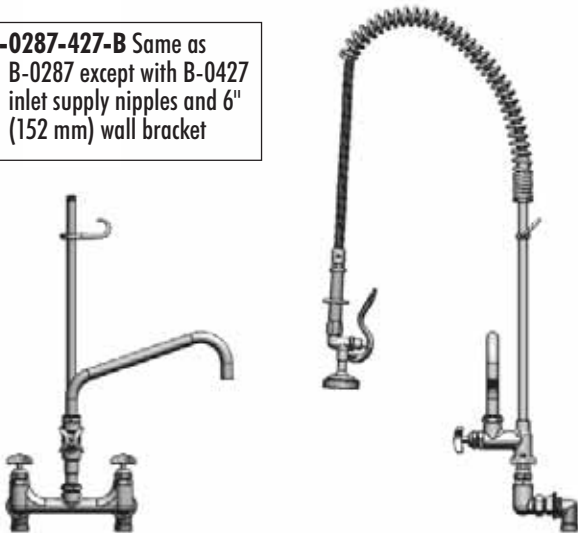
A  
22

## B-0287 Big-Flo Pre-Rinse Unit

**Easy Install**

- EasyInstall 8" (203 mm) centers wall mount base faucet (002840-40CV)
- EasyInstall add-on faucet (B-0286-LNEZ) with 12" (305 mm) swing nozzle (114X)
- 18" (457 mm) riser (000369-40)
- B-0044-H stainless steel hose and B-0107 spray valve (1.42 GPM)
- 3/4" NPT elbows furnished to allow for optional deck mounting or for floor and ceiling supplies behind backsplash
- Furnished with two 3/4" NPT check valves
- 45-1/8" (1146 mm) high
- 10-3/4" (273 mm) clearance from spout

**B-0287-427-B** Same as B-0287 except with B-0427 inlet supply nipples and 6" (152 mm) wall bracket



## BF-0176 Big-Flo Pre-Rinse Unit

- Single hole base faucet (B-0296)
- 1/2" NPT female inlet
- Add-on faucet (B-0286)
- 12" (305 mm) swing nozzle (114X)
- B-0060-H stainless steel hose
- Angled spray valve (002853-40)



## B-0289 Big-Flo Pre-Rinse Unit

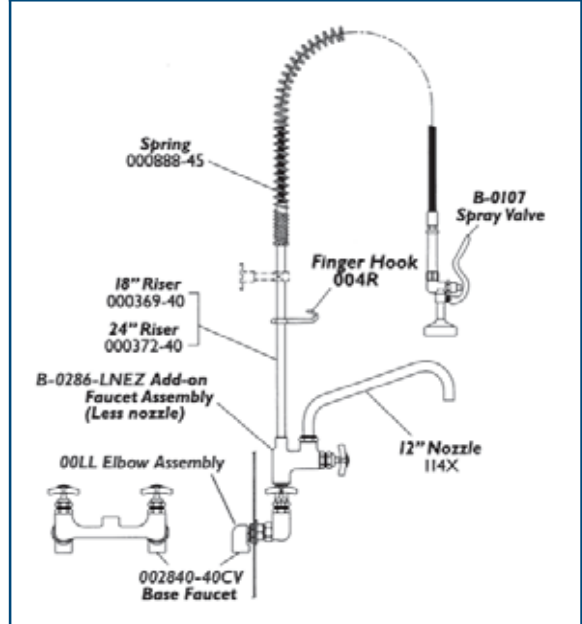
**Easy Install**

- EasyInstall 8" (203 mm) centers wall mount base faucet (002840-40CV)
- EasyInstall add-on faucet (B-0286-LNEZ) with 18" (457 mm) swing nozzle (115X)
- 034A hose adapter
- B-0104-H stainless steel hose
- B-0107-035 angled spray valve (1.42 GPM)
- 3/4" NPT elbows furnished to allow for optional deck mounting or for floor and ceiling supplies behind backsplash



Note: check valves sold separately – B-CV3-4

## Big-Flo Pre-Rinse Exploded View



## The T&S Solution to Add-On Accessory Tees in the Kitchen

Do you need an additional water source from your T&S EasyInstall pre-rinse unit or mixing faucet? Finding it hard to install? The T&S solution – a B-TEE-RGD, designed for use with T&S pre-rinses, or a B-TEE-EZK, designed for use with T&S mixing faucets.

**NEW Swivel and Rigid Tee Assemblies**

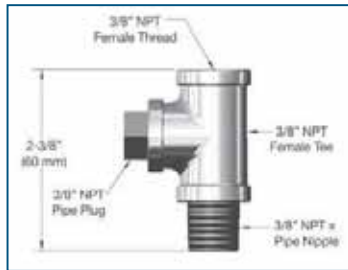
### EasyInstall

#### Tee Application

Tees on pre-rinse units and mixing faucets are used to supply water to accessory applications such as chemical injectors (for cleaning jobs, etc.) They are not intended to introduce chemicals into the T&S pre-rinse unit or mixing faucet. A backflow prevention device should be installed if it is not included with the accessory device.

#### B-TEE-RGD Tee Assembly

- EasyInstall rigid tee assembly
- Chrome plated



**B-0133-B-TEE with B-TEE-RGD Rigid Tee Assembly**

#### B-TEE-EZK Tee Assembly

- EasyInstall swivel tee assembly
- Chrome plated



**B-0230-TZ-CR-SC with B-TEE-EZK Swivel Tee Assembly**

Pre-Rinse Models with the B-TEE-RGD:

- B-0113-A12B-TEE**  
PRU, 12" add-on faucet, wall bracket, rigid tee
- B-0113-B-TEE**  
PRU, wall bracket and rigid tee
- B-0133-A12B-TEE**  
PRU, 12" add-on faucet, wall bracket, rigid tee
- B-0133-B-TEE**  
PRU, wall bracket and rigid tee

The B-TEE-RGD can be easily retrofitted to an existing T&S pre-rinse, ordered separately or used to modify a new pre-rinse unit. Ex.: "B-0123-B modified with a B-TEE-RGD."

# Low Flow B-0107-C Spray Valve Pre-Rinse Units



Pre-rinse units with the redesigned B-0107-C Ultimate Low Flow Spray Valve (0.65 GPM) comply with EPAct 2005.

- Most pre-rinse units are equipped with internal spring checks to prevent cross flow.
- Hot Spindle Assembly – 002712-40      • Cold Spindle Assembly – 002711-40



## B-0113-C Series Pre-Rinse Units

### NEW! With B-0107-C Ultimate low flow spray valve (0.65 GPM)

- Single hole base faucet assembly (014207-40) or (B-0113-LN) with EasyInstall™ “pop and lock” riser installation feature
- B-0109-01 6” (152 mm) wall bracket (-B models)
- 18” (457 mm) flexible inlets with 1/2” couplings
- 1/2” NPT male inlets
- 45” (1143 mm) high
- 14” (356 mm) overhang
- 18-1/16” (459 mm) clearance
- 24” (610 mm) riser (000372-40)
- B-0044-H flexible stainless steel hose

Note: Universal body accepts flex lines and spreader yoke

### B-0113-C Series Pre-Rinse Units with B-0107-C Low Flow Spray Valve Models

**B-0113-C** with B-0107-C low flow spray valve, no wall bracket

All other models are same as B-0113-C except:

**B-0113-12-CRVBC** with add-on faucet with 12” swing nozzle, ceramic cartridges, vacuum breaker and B-0109-01 wall bracket

**B-0113-BC** with B-0109-01 wall bracket

**B-0113-BJ** with B-0109-01 wall bracket and NEW B-0107-J low-flow spray valve (1.07 GPM) (see p. A37)

**B-0113-A12-V-BC** with B-0156 add-on faucet, 12” swing nozzle B-0107-C and B-0970-FEZ vacuum breaker

**B-0113-CR-BVB-A** vertical glass filler with ceramic cartridges, B-0970-FEZ vacuum breaker and B-0107-A spray valve with (2.2 GPM) non-splash aerator (shown below)

**B-0113-BC-V9** with vacuum breaker hose

**B-0113-CR-V-BC** with ceramic cartridges, vacuum breaker and B-0109-01 wall bracket

**B-0113-V-BC** with B-0970-FEZ vacuum breaker

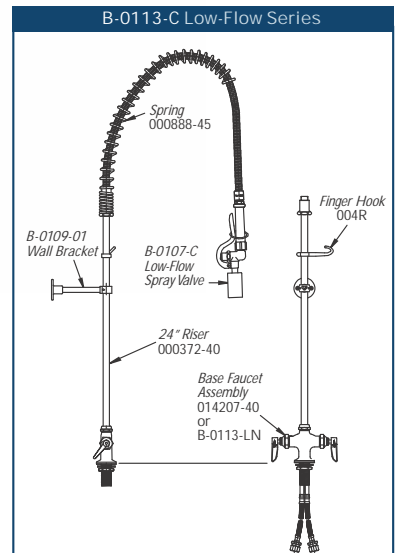
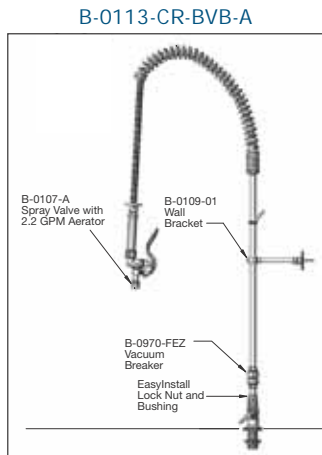


B-0107-C  
New and  
Improved  
0.65 GPM



**Easy Install**

**B-0113-BC**



# Low Flow B-0107-C Spray Valve Pre-Rinse Units



Pre-rinse units with the redesigned B-0107-C Ultimate Low Flow Spray Valve (0.65 GPM) comply with EPAct 2005.

- Most pre-rinse units are equipped with internal spring checks to prevent cross flow.
- Hot Spindle Assembly – 002712-40      • Cold Spindle Assembly – 002711-40



## B-0123-C Series Pre-Rinse Units

### NEW! With B-0107-C Ultimate low flow spray valve (0.65 GPM)

- 8" (203 mm) center deck base faucet assembly (014208-40) with EasyInstall™ "pop and lock" riser installation feature
- B-0109-01 6" (152 mm) wall bracket (-B models)
- 44-13/16" (1138 mm) high
- 14-1/16" (357 mm) overhang
- 17-7/8" (454 mm) clearance
- 1/2" NPT female eccentric flanged inlets (00AA)
- 24" (610 mm) riser (000372-40)
- B-0044-H flexible stainless steel hose

Note: Supply nipples sold separately – B-0425 (2 required, see p. A40).

### B-0123-C Series Pre-Rinse Units with B-0107-C Low Flow Spray Valve Models

**B-0123-C** with B-0107-C low flow spray valve, no wall bracket

#### All other models are same as B-0123-C except:

**B-0123-12CRCVBC** with B-0109-01 wall bracket, B-0156 12" add-on faucet, ceramic cartridges and B-0970-FEZ vacuum breaker

**B-0123-A12-V-BC** with B-0109-01 wall bracket, B-0156 12" add-on faucet and B-0970-FEZ vacuum breaker

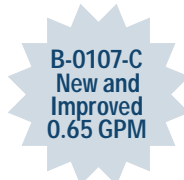
**B-0123-BC** with B-0109-01 wall bracket, 6" (152 mm)

**B-0123-CR-BC** with B-0109-01 wall bracket, ceramic cartridges

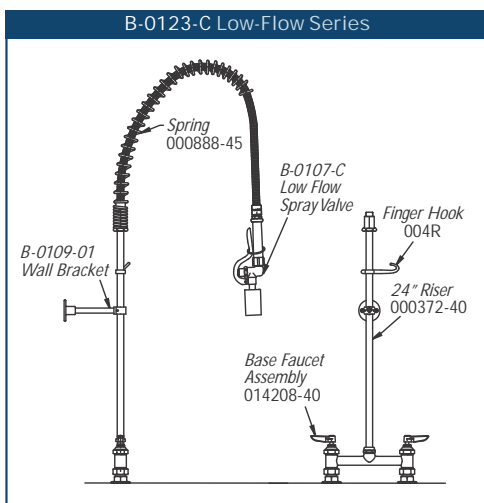
**B-0123-CR-C** with ceramic cartridges

**B-0123-CR-CCVBC** with ceramic cartridges, 00CC inlets, B-0970-FEZ vacuum breaker and B-0109-01 wall bracket

**B-0123-V-BC** with B-0109-01 6" (152 mm) wall bracket and B-0970-FEZ vacuum breaker



**Easy Install**  
B-0123-BC



The B-0107-C is endorsed by the Green Restaurant Association (GRA), which recommends environmentally responsible products for the restaurant industry.

# Low Flow B-0107-C Spray Valve Pre-Rinse Units



A  
26



Pre-rinse units with the redesigned B-0107-C Ultimate Low Flow Spray Valve (0.65 GPM) comply with EPA Act 2005.

- Most pre-rinse units are equipped with internal spring checks to prevent cross flow.
- Hot Spindle Assembly – 002712-40
- Cold Spindle Assembly – 002711-40



## B-0133-C Series Pre-Rinse Units

### NEW! With B-0107-C Ultimate low flow spray valve (0.65 GPM)

- 8" (203 mm) center wall mounted base faucet assembly (014209-40) with EasyInstall™ "pop and lock" riser installation feature
- B-0109-01 6" (152 mm) wall bracket (-B models)
- 35-1/2" (902 mm) high
- 15" (381 mm) overhang
- 6-15/16" (176 mm) clearance
- 1/2" NPT female eccentric flanged inlets (00AA)
- 18" (457 mm) riser (000369-40)
- B-0044-H flexible stainless steel hose

**EasyInstall**

B-0133-BC

Note: Installation Kit sold separately – B-0230-K (1 required, see p. A44).



The B-0107-C is endorsed by the Green Restaurant Association (GRA), which recommends environmentally responsible products for the restaurant industry.

### B-0133-C Series Pre-Rinse Units with B-0107-C Low Flow Spray Valve Models

**B-0133-C** with B-0107-C low flow spray valve, no wall bracket

All other models are same as B-0133-C except:

**B-0133-BC** with B-0109-01 6" (152 mm) wall bracket

**B-0133-CR-BC** with B-0109-01 wall bracket, ceramic cartridges

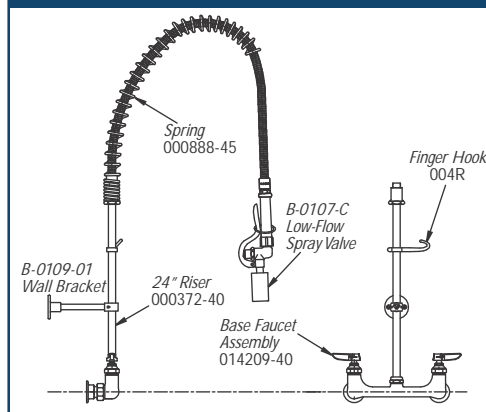
**B-0133-CR-C** with ceramic cartridges

**B-0133-CR-V-BCE** with ceramic cartridges, B-0970-FEZ vacuum breaker, B-0230-K installation kit, B-0109-01 wall bracket and 18" (457 mm) riser

**B-0133-V-BC** with B-0109-01 wall bracket and B-0970-FEZ vacuum breaker

**B-2455-C** with B-0109-03 12" (305 mm) wall bracket and supply nipples

### B-0133-C Low-Flow Series



### B-0133-C Series Pre-Rinse Units with Add-On Faucet (-A\_\_ Models)



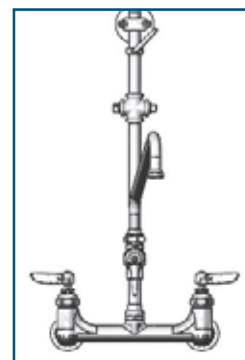
**B-0133-12CRVBCE** with add-on faucet and 12" swing nozzle, B-0230-K, vacuum breaker, ceramic cartridges and B-0109-01 6" (152 mm) wall bracket

**B-0133-ADF12-BC** with add-on faucet and 12" swing nozzle and B-0109-01 wall bracket (shown right)

**B-0133-A12-BC4** with add-on faucet and 12" swing nozzle, four-way cross and B-0109-01 wall bracket (shown right)



B-0133-ADF12-BC



B-0133-A12-BC4



## Low Flow B-0107-C Spray Valve Pre-Rinse Units



Pre-rinse units with the redesigned B-0107-C Ultimate Low Flow Spray Valve (0.65 GPM) comply with EPAAct 2005.

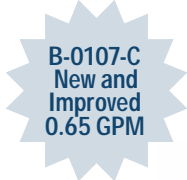
- Most pre-rinse units are equipped with internal spring checks to prevent cross flow.
- Hot Spindle Assembly – 002712-40
- Cold Spindle Assembly – 002711-40



### B-2285-BC Pre-Rinse Unit

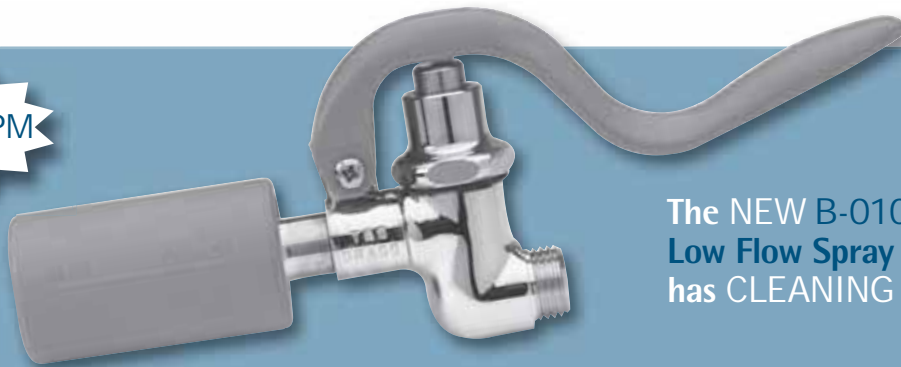
#### NEW! With B-0107-C Ultimate low flow spray valve (0.65 GPM)

- Single hole base faucet
- Fits sink top to 1-3/4" (44 mm) thick
- 45-1/2" (1155 mm) high
- 14-1/16" (357 mm) overhang
- 18-9/16" (471 mm) clearance
- 1/2" male NPSM threaded inlet
- 24" riser model (000372-40)
- B-0044-H flexible stainless steel hose
- B-0109-01 6" (152 mm) wall bracket



The B-0107-C is endorsed by the Green Restaurant Association (GRA), which recommends environmentally responsible products for the restaurant industry.

## NEW! B-0107-J Low Flow Spray Valve for Pre-Rinse Units and Spray Valve Assemblies



### The NEW B-0107-J Low Flow Spray Valve has CLEANING POWER!

We're proud to introduce a new low flow spray valve to the market – the **T&S Brass B-0107-J** – with a 1.07 GPM @ 60 PSI flow rate. The B-0107-J features significant water- and energy-savings while making pre-rinse tasks easier with its powerful cleaning capability. Tough baked-on foods will come off faster when using the B-0107-J.

#### B-0107-J Features:

- Its intensified power rinsing quickly gets rid of tough baked-on foods
- Consumes 60% less water than other EPAAct 2005 compliant valves (at 1.6 GPM)
- Is AB1953 & ANSI/NSF Standard 61 compliant
- The same great T&S reliability and performance
- Is interchangeable with Fisher spray valves
- Available as part of a spray valve assembly
- Parts Kit (B-10K-J) available (see p. A41)

|  |
|--|
| <b>NEW B-0107-J Spray Valve Low Flow (1.07 GPM) Pre-Rinse Models</b> |
| <b>B-0113-BJ</b> with B-0107-J Spray valve and wall bracket          |
| <b>B-0133-BJ</b> with B-0107-J Spray valve and wall bracket          |

# Low Flow B-0107-C Spray Valve Pre-Rinse Units



Pre-rinse units with the redesigned B-0107-C Ultimate Low Flow Spray Valve (0.65 GPM) comply with EPAct 2005.

- Most pre-rinse units are equipped with internal spring checks to prevent cross flow.
- Hot Spindle Assembly – 002712-40
- Cold Spindle Assembly – 002711-40



## B-0131-C Pre-Rinse Unit

**NEW! With B-0107-C Ultimate low flow spray valve (0.65 GPM)**

- 8" (203 mm) center wall mounted faucet (002832-40)
- 29-15/16" (760 mm) high
- 1/2" NPT female eccentric flanged inlets (00AA)
- 12" (305 mm) swivel arm
- 26" (660 mm) riser (000373-40)
- B-0020-H flexible stainless steel hose

Note: Installation Kit sold separately – B-0230-K (1 required, see p. A44).

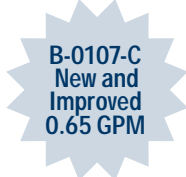
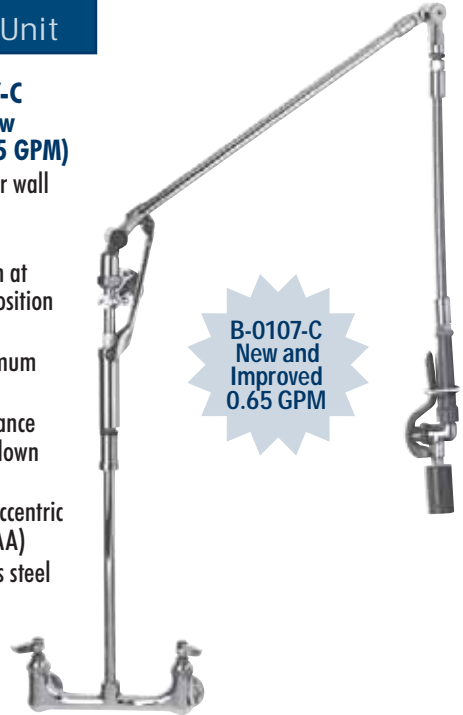


## B-0137 Pre-Rinse Unit

**NEW! With B-0107-C Ultimate low flow spray valve (0.65 GPM)**

- 8" (203 mm) center wall mounted faucet (002832-40)
- 39" (990 mm) high at normal hanging position
- 21-1/2" (546 mm) overhang at maximum pull down position
- 6" (152 mm) clearance in maximum pull down position
- 1/2" NPT female eccentric flanged inlets (00AA)
- B-0020-H stainless steel hose
- B-0109-01 6" (152 mm) wall bracket

Note: Installation Kit sold separately – B-0230-K (1 required, see p. A44).



## B-0117 Pre-Rinse Unit

**NEW! With B-0107-C Ultimate low flow spray valve (0.65 GPM)**

- Single hole base faucet with 4" (102 mm) spreader unit (002824-40)
- 1/2" NPT male inlets
- 42" (1067 mm) high at normal hanging position
- 21-1/2" (546 mm) overhang at maximum pull down position
- 1/2" (13 mm) clearance in maximum pull down position
- B-0020-H flexible stainless steel hose
- B-0109-01 6" (152 mm) wall bracket



**B-0127** same as B-0117 except with 8" center deck mount faucet (002829-40)

## Low Flow Pre-Rinse Accessories

See complete line of low flow pre-rinse accessories on pages A38-41



**B-0109-01**  
Wall Bracket

6" (152 mm)

**B-0107-C35**  
Low Flow Spray Valve

0.65 GPM



**B-0107-C**  
Low Flow Spray Valve

0.65 GPM



# Low Flow B-0107-C Spray Valve Pre-Rinse Units



Pre-rinse units with the redesigned B-0107-C Ultimate Low Flow Spray Valve (0.65 GPM) comply with EPAct 2005.

- Most pre-rinse units are equipped with internal spring checks to prevent cross flow.
- Hot Spindle Assembly – 002712-40      • Cold Spindle Assembly – 002711-40



## B-0126 Pre-Rinse Unit

- B-0107-C35 35° angled low flow spray valve (0.65 GPM)
- Single hole base faucet with 4" (102 mm) spreader unit and 1/2" NPT male inlets (002824-40)
- Long reach – 5 ft. (1524 mm) in either direction
- Hose life substantially increased
- B-0068-H flexible stainless steel hose
- (005311-40) balancer assembly
- Two B-0109-01 6" (152 mm) wall brackets
- 55" (1397 mm) high

Note: Other hose lengths available as modifications; see p. A35.



- B-0126-CR** with ceramic cartridges
- B-0126-VB** with B-0970-FE vacuum breaker
- B-0128-VB** with 8" (203 mm) center deck mounted faucet (002829-40) and B-0970-FE vacuum breaker
- B-0129** with 8" (203 mm) center wall mounted faucet (002832-40)
- B-0129-VB** with 8" (203 mm) center wall mounted faucet (002832-40) and B-0970-FE vacuum breaker
- B-0130** Same as B-0129-VB except with quick-disconnect outlet for spray accessories B-1424 and B-1425

## B-0126-R Retrofit for B-0126

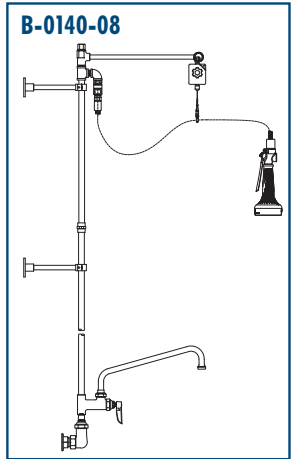
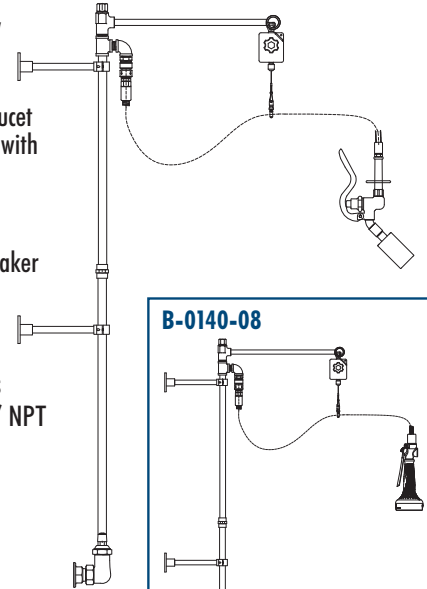
- B-0107-C35 angled low flow spray valve (0.65 GPM)
- Retrofit kit
- Provides other pre-rinse units with easy upgrade
- 27-1/2" (596 mm) high
- B-0068-H stainless steel hose
- Includes B-0109-01 6" (152 mm) wall bracket

**B-0126-VBR** with B-0970-FE vacuum breaker hose



## B-0140-01 and B-0140-08 Pre-Rinse Units

- B-0107-C35 angled low flow spray valve (0.65 GPM)
- 8" (203 mm) mixing faucet with cerama cartridges with check valves and lever handles
- Balancer assembly with B-0970-FE vacuum breaker
- B-0068-H 68" flexible stainless steel hose
- Two B-0109-01 6" (152 mm) wall brackets
- 18" and 24" risers, 3/8" NPT
- 1/2" NPT female eccentric flanged inlets



**B-0140-08** Same as B-0140-01 except with B-0155-CR-LN with (062X) 12" swivel gooseneck, and B-0108 JetSpray valve

## B-0152-CR-C-TEE Pre-Rinse Unit



- B-0107-C low flow spray valve (0.65 GPM)
- 8" (203 mm) mixing faucet with cerama cartridges with check valve and lever handles
- B-TEE-RGD rigid tee with plug
- B-0044-H stainless steel hose
- (073X) 18" double joint swing nozzle with 2.2 GPM aerator on add-on faucet with cerama cartridge and lever handle
- B-0109-01 6" (152 mm) wall bracket
- 1/2" NPT female inlets



# Spray Valve Assemblies

A  
30

Spray Valve Assemblies with the B-0107 (1.42 GPM), the NEW B-0107-C Ultimate Low Flow Spray Valve (0.65 GPM), and the B-0108 JeTSpray (1.48 GPM) comply with EPA Act 2005.

## B-0100 Pre-Rinse Spray with Flexible Stainless Steel Hose

### Redesigned with 1.42 GPM – EPA Act 2005 compliant

- Designed for heavy-duty use in industrial kitchens
- Automatic shut-off valve with spray head (B-0107)
- 3 ft. flexible stainless steel hose (B-0044-H)
- 1/2" NPT male inlet (See "Adapter Chart" p. A33 for alternate adapters)
- 48" (1219 mm) overall length of unit



- B-0100-M** Pre-rinse spray Master Box (6)
- B-0100-32H** B-0107 spray valve with 32" flexible stainless steel hose (B-0032-H)
- B-0955** Same as B-0100 but with reinforced PVC hose (B-0044-R)
- B-0957** Same as B-0100 but with clear vinyl hose with internal braiding (B-0044-V)

## B-0100-SWV Pre-Rinse Spray Valve Assembly with Swivel



### NEW model spray valve assembly with SWIVEL and 1.48 GPM – EPA Act 2005 compliant

- Same as B-0100 but with a swivel (018200-40) at base of handle for 360° rotation capability
- Designed for heavy-duty use in industrial kitchens
- Automatic shut-off valve with spray head (B-0107)
- 1/2" NPT male inlet (See "Adapter Chart" p. A31 for other adapters)

Note: See page A41 for more information about the Swivel (018200-45)



## B-0100-C Low Flow Pre-Rinse Spray Unit

### NEW! With B-0107-C Ultimate low flow spray valve with 0.65 GPM – EPA Act 2005 compliant

- Same as B-0100 but with B-0107-C low flow spray valve
- Fan jet with knife action spray
- Saves water and energy



## B-0100-C-SWV Low Flow Pre-Rinse Spray Unit



### NEW model spray valve assembly with SWIVEL and 0.65 GPM – EPA Act 2005 compliant

- Same as B-0100-C but with a swivel (018200-40) at base of handle for 360° rotation capability
- Low flow B-0107-C spray valve
- Designed for heavy-duty use in industrial kitchens
- 3 ft. flexible stainless steel hose (B-0044-H)
- Fan jet with knife action spray

Note: See page A41 for more information about the Swivel (018200-45)



## B-0100-08 JeTSpray Pre-Rinse Spray Unit

### New model spray valve assembly with 1.48 GPM – EPA Act 2005 compliant

- Same as B-0100, with B-0108 JeTSpray valve
- Forged brass body
- Fast action stainless steel trigger
- Ergonomic design reduces fatigue caused by repetitive tasks
- Retrofits most pre-rinse hoses
- 3 ft. flexible stainless steel hose (B-0044-H)



**B-0100-08C NEW!** Same as B-0100-08 except with B-0108-C low flow JeTSpray valve (0.65 GPM)



## B-0101 Pre-Rinse Spray with Flexible Stainless Steel Hose

- Spray valve with rose spray and automatic shut-off
- 38" (914 mm) flexible stainless steel hose (013E-36)
- 1/2" NPT male inlet (See "Adapter Chart" p. A33 for alternate adapters)
- 42" (1079 mm) overall length



- B-0101-A** Same as B-0101 but with (002858-40) spray valve with aerator to eliminate splashing
- B-0101-E72-053A** Same as B-0101 except with 72" flexible stainless steel hose; includes 053A adapter 3/8" NPT male
- B-0101-ENP** Same as B-0101 except with 28" flexible stainless steel hose; includes B-0104 wall hook, B-0428 3/8" supply nipple and 3/8" NPT female inlet

Faucets using the redesigned B-0107 Spray Valve (1.42 GPM) comply with EPAct 2005.

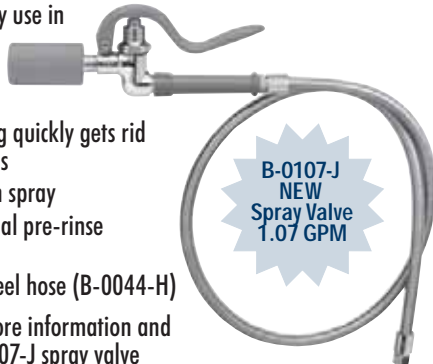
## B-0100-J Pre-Rinse Spray Unit



### EPAct 2005 compliant

- Designed for heavy-duty use in industrial kitchens with **NEW** flow rate (1.07 GPM)
- Intensified power rinsing quickly gets rid of tough baked-on foods
- Fan jet with knife action spray
- Retrofits most commercial pre-rinse hoses
- 3 ft. flexible stainless steel hose (B-0044-H)

See page A38-41 for more information and accessories for the B-0107-J spray valve



## B-0950 Flexible Stainless Steel Hose with Self Closing Spray Valve



### Redesigned with 1.42 GPM – EPAct 2005 compliant

- Same as B-0100 but with angle spray valve (02853-40)



- B-0950-01** Same as B-0950 but with B-0068-H stainless steel hose
- B-0950-54H** Same as B-0950 but with B-0054-H stainless steel hose
- B-0956** Same as B-0950 but with B-0044-R reinforced PVC hose

## B-0105 Spray Assembly

### Redesigned with 1.42 GPM – EPAct 2005 compliant

- Concealed mixing valve (B-0512) with 3/8" NPT inlets and 3" (76 mm) centers
- Four arm handles (175F)
- Flexible stainless steel hose (B-0044-H)
- Spray valve (B-0107)
- Wall hook outlet (B-0104) and 3/8" NPT female inlet

Note: This unit requires separate check valves.

**Check Valves for B-0105** Furnished in rough brass  
B-CVH1-2 for horizontal or vertical use, 1/2" NPT female  
B-CVH3-4 for horizontal or vertical use, 3/4" NPT female



## B-0160 Deck Mounted Base Faucet

- Single hole base faucet assembly with 4" (102 mm) spreader unit (010255-40) and 1/2" NPT male inlets
- Spring checks included in faucet body
- B-0044-H flexible stainless steel hose
- Swivel assembly (002862-40)
- EB-0107-035 angle spray valve with automatic shut-off
- Dummy wall hook (B-0104-D) holds hose when not in use



## B-0165 Utility Hose and Spray Assembly

## B-0106 Pre-Rinse Brush Spray Unit



### Redesigned with 1.42 GPM – EPAct 2005 compliant

- Simultaneous brush and spray action
- Automatic shut-off valve
- Brush attachment with nylon bristles (BR-10)
- B-0044-H flexible stainless steel hose
- 1/2" NPT male inlet (See "Adapter Chart" p. A33 for alternate adapters)
- 48" (1219 mm) overall length of unit



### Redesigned spray valve with 1.42 GPM – EPAct 2005 compliant

- For use with pre-rinse units
- Diverter valve (B-0155-LN)
- B-0104-H flexible stainless steel hose
- B-0107-035 angle spray valve with automatic shut-off
- Hanger hook to hang hose and spray valve out of the way (B-0166)
- 3/8" NPT male fits standard pre-rinse base faucets
- 9' overall length of hose and spray unit



Faucets and Spray Valve Assemblies using the redesigned B-0107 Spray Valve (1.42 GPM) comply with EPAAct 2005.

EPAAct 2005  
Compliant

## B-0167 Spray Unit with Mixing Control Valve

- 8" center wall mounted mixing faucet (002832-40)
- B-0068-H flexible stainless steel hose
- EB-0107-035 angle spray valve with automatic shut-off
- Finger hook holds hose when not in use (002873-40)
- Built-in spring checks to prevent cross flow of water
- 72" (1829 mm) overall length of hose and spray unit
- Atmospheric vacuum breaker (B-0968)
- 1/2" NPT female eccentric flanged inlets (00AA)



Note: Order B-0230-K Installation Kit when necessary (see p. A44).

EPAAct 2005  
Compliant

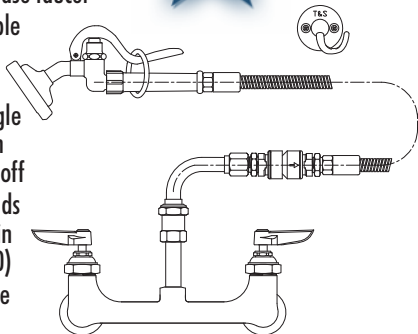
**B-0167-01** Same as B-0167 except without atmospheric vacuum breaker, with in-line hose vacuum breaker and with B-0107-035 **Note: this model is EPAAct 2005 Compliant**

**B-0168** Same as B-0167 except with spray head without self-closing valve (005969-40) and with B-0107-035 **Note: this model is EPAAct 2005 Compliant**

## B-0167-HH Wall Mounted Base Faucet

Redesigned spray valve with  
1.42 GPM – EPAAct 2005  
compliant

- Wall mounted base faucet
- B-0044-H flexible stainless steel hose
- B-0107-035 angle spray valve with automatic shut-off
- Finger hook holds hose when not in use (002873-40)
- 1/2" NPT female inlet



EPAAct 2005  
Compliant

## B-0169 Wall Mounted Base Faucet

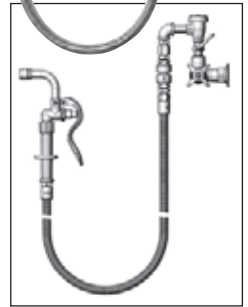
Redesigned spray valve with 1.42 GPM – EPAAct 2005 compliant

- Wall mounted single faucet and vacuum breaker (B-0968)
- B-0068-H flexible stainless steel hose
- B-0107-035 angle spray valve with automatic shut-off
- Finger hook holds hose when not in use (002873-40)
- 1/2" NPT female inlet
- 72" (1829 mm) overall length of hose and spray unit

**B-0169-01** Same as B-0169 but with 96" (2438 mm) flexible stainless steel hose

**B-0169-102C-96H** Same as B-0169 except with B-0970-01 vacuum breaker, 90° spray nozzle assembly with 2.2 GPM aerator and B-0096-H stainless steel hose (see box, right)

**B-0170** Same as B-0169 but with (005969-40) spray head without self-closing valve (the spray head is attached directly to the end of the hose)



**B-0169-102C-96H**

## B-0175 Faucet with Swing Nozzle and Spray Unit

Redesigned spray valve with 1.42 GPM – EPAAct 2005 compliant

- 8" (203 mm) center wall mounted mixing faucet (002832-40)
- Add-on faucet with 12" (305 mm) swing nozzle (B-0156)
- B-0104-H flexible stainless steel hose
- B-0107-035 angle spray valve with automatic shut-off
- Hanger hook holds hose when not in use (B-0166)
- 108" (2743 mm) overall length of hose and spray unit
- 1/2" NPT female eccentric flanged inlets (00AA)

Note: Use a B-0970-01 when a vacuum breaker is needed. Order B-0230-K Installation Kit when necessary (see p. A44).

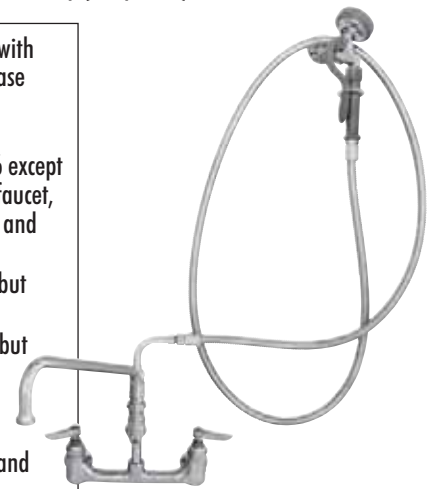
**B-0176** Same as B-0175 but with single hole deck mounted base faucet (002824-40) with 4" (102 mm) spreader unit

**B-0176-ER** Similar to B-0176 except with 18" (457 mm) add-on faucet, B-0970-01 vacuum breaker and optional 10" long riser

**B-0175-01** Same as B-0175 but with 8" add-on faucet

**B-0175-02** Same as B-0175 but with add-on faucet and vacuum breaker hose

**B-0175-03** Same as B-0175 but with 12" add-on faucet and in-line vacuum breaker



Spray Valve Assemblies using the redesigned B-0107 Spray Valve (1.42 GPM) comply with EPA Act 2005.



## B-0177 Faucet with Swing Nozzle and Spray Unit

### Redesigned spray valve with 1.42 GPM – EPA Act 2005 compliant

- 8" (203 mm) center deck mounted mixing faucet (002829-40)
- Add on faucet with 12" (305 mm) swing nozzle (B-0156)
- B-0080-H flexible stainless steel hose
- Angle spray head attached at end of the hose (005969-40)
- Vacuum breaker (B-0968)
- Manual on-off control to spray head
- B-0104-D wall hook holds hose when not in use
- 1/2" NPT female eccentric flanged inlets (00AA)



Note: Order B-0230-K Installation Kit when necessary (see p. A44).

## B-0178 Faucet with Swing Nozzle and Spray Unit

### Redesigned spray valve with 1.42 GPM – EPA Act 2005 compliant

- 8" (203 mm) center deck mounted base faucet
- Add on faucet with 12" (305 mm) swing nozzle (B-0156)
- 20" (508 mm) flexible stainless steel hose (B-0020-H)
- B-0107 spray valve with automatic shut-off
- 1/2" NPT female eccentric flanged inlets (00AA)



Note: Order B-0230-K Installation Kit when necessary (see p. A44).

## B-1411 Flexible Stainless Steel Hose and Quick-Connect Jet Head

- Quick-connect squeeze valve with automatic shut-off (B-1420)
- 1" (25 mm) diameter spray pattern at 30" (762 mm) from squeeze valve
- Quick-connect jet head (B-1422)
- 1/2" NPT male inlet (see "Adapter Chart", right for alternate adapters)
- 49" (1219 mm) overall length of unit



## B-1410 Flexible Stainless Steel Hose and Quick-Connect Spray Head

### Redesigned with 1.42 GPM – EPA Act 2005 compliant

- Quick-connect squeeze valve with automatic shut-off (B-1420)
- Quick-connect spray head (B-1421)
- 3" (75 mm) spray pattern at 30" (762 mm) from spray head
- B-0044-H flexible stainless steel hose
- 1/2" NPT male inlet (see "Adapter Chart" below for alternate adapters)
- 49" (1219 mm) overall length of unit



## B-1412 Flexible Stainless Steel Hose and Quick-Connect Spray Head

- Quick-connect squeeze valve with automatic shut-off (B-1420)
- Quick-connect fan spray head (B-1423)
- Fan spray pattern 8" (203 mm) wide by 3" (76 mm) thick at 30" (762 mm) from squeeze valve
- 1/2" NPT male inlet (see "Adapter Chart" below for alternate adapters)
- 49" (1219 mm) overall length of unit



| Adapter Chart   |                         |
|---|-------------------------|
| When specified, these adapters will be provided in place of the 1/2" NPT male adapter normally furnished. |                         |
| 052A  | 1/4" NPT female         |
| 053A  | 3/8" NPT male (Chicago) |
| 054A  | 3/8" NPT female         |
| 055A  | 1/2" NPT male           |
| 056A  | 1/2" NPT female         |
| 057A  | 3/4" NPT male           |
| 058A  | 3/4" NPT female         |
| 059A  | Garden Hose female      |
| 172A  | 1/4" NPT male (Fisher)  |
| 098A  | Connect two hoses       |



Stainless steel, PVC and vinyl replacement hoses. Three-year warranty on all -H (stainless steel) hoses.

## B-0044-H Flexible Stainless Steel Hose

- Flexible stainless steel hose, dim. B = 44" (1118 mm)
- Polyurethane inner tubing
- Supplied on most pre-rinse units with spring action gooseneck
- 9/16" I.D.



## B-0044-R PVC Hose

- PVC hose, dim. B = 44" (1118 mm)
- FDA approved
- Extremely durable
- Limited 2 year warranty



## B-0044-V9 Pre-Rinse Hose with Backflow Preventer

- Flexible stainless steel hose, dim. B = 44" (1118 mm)
- Backflow preventer (B-0970-FE) for continuous pressure use



## 013E-36H Flexible Stainless Steel Hose

- Flexible stainless steel hose, dim. B = 36" (914 mm)
- 7/16" I.D.



## Flexible Stainless Steel and Vinyl Hoses

- B-0015-H** 14-3/4" flexible stainless steel hose
- B-0020-H** 20" flexible stainless steel hose
- B-0020-H2A** 20" flexible stainless steel hose, less handle
- B-0020-HM** 20" flexible stainless steel hose Master Box (10)
- B-0020-R** 20" reinforced PVC hose
- B-0023-H** 23" flexible stainless steel hose
- B-0024-H** 24" flexible stainless steel hose
- B-0026-H** 26" flexible stainless steel hose
- B-0026-H2A** 26" flexible stainless steel hose, less handle
- B-0026-HM** 26" flexible stainless steel hose Master Box (10)
- B-0028-H** 28" flexible stainless steel hose
- B-0028-H2A** 28" flexible stainless steel hose, less handle
- B-0032-H** 32" flexible stainless steel hose
- B-0036-H** 36" flexible stainless steel hose
- B-0040-H2A** 40" flexible stainless steel hose, less handle
- B-0044-H** 44" flexible stainless steel hose
- B-0044-H2A** 44" flexible stainless steel hose, less handle
- B-0044-H2AML** 44" flexible stainless steel hose Master Box (25), less handle
- B-0044-H2AMS** 44" flexible stainless steel hose Master Box (10), less handle
- B-0044-HF** 44" flexible stainless steel hose with Fisher adapter
- B-0044-HML** 44" flexible stainless steel hose Master Box (25)
- B-0044-HMS** 44" flexible stainless steel hose Master Box (10)
- B-0044-R** 44" reinforced PVC hose
- B-0044-RML** 44" reinforced PVC hose Master Box (25)
- B-0044-RMS** 44" reinforced PVC hose Master Box (10)
- B-0044-RV9** 44" reinforced PVC hose with B-9670-FE Vacuum breaker
- B-0044-V9** 44" flexible stainless steel hose with vacuum breaker
- B-0048-H** 48" flexible stainless steel hose
- B-0050-H** 50" flexible stainless steel hose
- B-0054-H** 54" flexible stainless steel hose
- B-0054-H2A** 54" flexible stainless steel hose, less handle
- B-0054-V** 54" vinyl hose
- B-0056-H** 56" flexible stainless steel hose
- B-0056-H2A** 56" flexible stainless steel hose, less handle
- B-0056-HMS** 56" flexible stainless steel hose Master Box (10)
- B-0060-H** 60" flexible stainless steel hose
- B-0068-H** 68" flexible stainless steel hose
- B-0068-H2A** 68" flexible stainless steel hose, less handle
- B-0068-HML** 68" flexible stainless steel hose Master Box (25)
- B-0068-HMS** 68" flexible stainless steel hose Master Box (10)
- B-0068-R** 68" reinforced PVC hose
- B-0072-H** 72" flexible stainless steel hose
- B-0080-H** 80" flexible stainless steel hose
- B-0096-H** 96" flexible stainless steel hose
- B-0104-H** 104" flexible stainless steel hose
- B-0144-H** 144" flexible stainless steel hose

**Note:** On all hoses above the handle equals 8" of total length

## Flexible Stainless Steel Hoses 7/16" I.D.

- 013E-36H** 36" flexible stainless steel hose
- 013E-48H** 48" flexible stainless steel hose
- 013E-60H** 60" flexible stainless steel hose
- 013E-72H** 72" flexible stainless steel hose



# JeT Spray

## B-0108 Series Ergonomic Spray Valves



Is it possible to “reinvent” something as utilitarian as a spray valve? T&S has – introducing the revolutionary **B-0108 JeT Spray**, the latest in a series of innovations by T&S Brass for the foodservice market.

The **JeT Spray** is a breakthrough answer to pre-rinse tasks, and is packed with features that you’ll love. It’s built for comfort, with a natural contour and sure grip which fits the human hand. The **JeT Spray**’s ergonomic design helps reduce fatigue with repetitive tasks like rinsing dishes.

- **Ergonomic design**
- **Fast action stainless steel trigger**
- **Quick change replacement parts**
- **Smart one-handed trigger lock**
- **Forged brass body**
- **Vandal resistant valve cap**



Its fast rinsing power and **EPA Act 2005 compliance** combine to give you power **and** efficiency. And the **JeT Spray** has been laboratory tested to over 2 million cycles, demonstrating its heavy-duty capabilities. Its “smart” one-handed lock and unlock feature saves time and makes the user more productive.

Best of all, the **JeT Spray** has the same reliability built into it that all other T&S Brass products have. Another innovation for the foodservice plumbing industry – from T&S Brass.

- **Enhanced maneuverability**
- **Impact and crush resistant grip**
- **Heat insulated touch points**
- **Retrofits most commercial pre-rinse units**
- **Quick change replacement parts**
- **Tested at 2 million cycles plus**
- **Fastest rinsing power in its class**
- **Removable screen filter**

**B-0108-C  
New and  
Improved  
0.65 GPM**

B-0108  
JeT Spray Valve  
Sprayface  
1.48 GPM



B-0108 Models



B-0108-C  
Low Flow JeT Spray Valve  
Sprayface  
0.65 GPM

|           |                  |
|-----------|------------------|
| B-0108    | 1.48 GPM         |
| B-0108-C  | 0.65 GPM         |
| B-0108-H* | High-flow option |

\* The B-0108-H is intended for hose reel applications and other non-EPA Act compliant usages.



## B-0156 Add-On Faucet for Pre-Rinse Units

- Adds swinging nozzle to pre-rinse units
- 12" (305 mm) nozzle (062X)
- Includes 3" nipple for installation on existing base faucets (000358-40)



NEW  
Add-On  
Faucets!

Note: The B-0156 increases the height of a pre-rinse unit by approximately 4-1/2" (114 mm). Different length nozzle furnished upon request – single or double-jointed.

### All Add-On Faucets:

- |   |   |
|---|---|
| <b>B-0155</b> Same as B-0156 except with 6" (305 mm) nozzle (059X)      | <b>B-0156-M</b> Add-on faucet Master Box (6)  |
| <b>B-0155-CR-LN</b> With cerama cartridge less nozzle                   | <b>B-0156-VF22</b> Add-on faucet with 12" (305 mm) nozzle (062X) and vandal-resistant aerator (2.2 GPM) |
| <b>B-0155-M</b> Add-on faucet Master Box (6)                            | <b>B-0156-05</b> Same as B-0156 except with 5" (127 mm) nipple  |
| <b>B-0155-LN</b> Add-on faucet less nozzle                              | <b>B-0157</b> Same as B-0156 except with 18" (457 mm) nozzle (065X)                                     |
| <b>B-0155-LNM</b> Add-on faucet less nozzle, Master Box (6)             | <b>B-0157-CR</b> Same as B-0157 and with cerama cartridge   |
| <b>B-0155-05</b> Same as B-0155 except with 5" (127 mm) nipple          | <b>B-0157-M</b> Add-on faucet Master Box (6)  |
| <b>B-0155-05LN</b> B-0155-05 add-on faucet less nozzle                  | <b>B-0157-05</b> Same as B-0157 except with 5" (127 mm) nipple  |
| <b>B-0155-064X</b> Same as B-0155 except with 16" (406 mm) swing nozzle | <b>B-0158</b> Add-on faucet with 14" (356 mm) nozzle (063X)   |
| <b>B-0156</b> Add-on faucet with 12" (305 mm) swing nozzle (062X)       | <b>B-0158-CR</b> Add-on faucet with 14" (356 mm) nozzle (063X) and cerama cartridge                     |
| <b>B-0156-CR</b> Same as B-0156 and with cerama cartridge               |   |
| <b>B-0156-EZ</b> Add-on faucet with EasyInstall fitting                 |   |

## B-0155-LNEZ Add-On Faucet for EasyInstall Pre-Rinse Units

- EasyInstall pre-rinse add-on faucet with "pop-and-lock" riser installation feature
- Attaches to EasyInstall faucets only



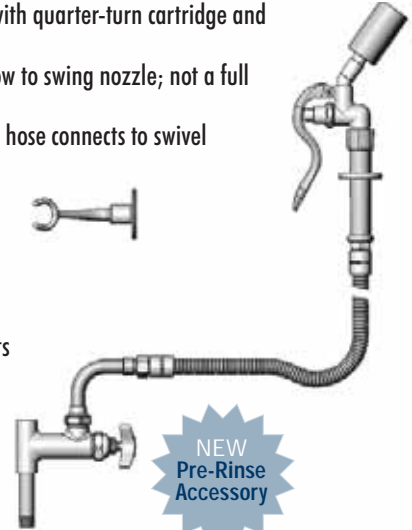
EasyInstall

EPAAct 2005  
Compliant

## B-0165-C35-68H Washdown Hose Unit for Pre-Rinse Units

EPAAct 2005  
Compliant

- Includes add-on faucet with quarter-turn cartridge and four-arm handle
- Add-on faucet diverts flow to swing nozzle; not a full shut-off
- B-0068-H stainless steel hose connects to swivel adapter
- B-0107-C35 angle spray valve (0.65 GPM)
- B-0166 hanger hook with chrome plated screws
- 3/8" NPT male threads fits standard T&S rigid base faucets



NEW  
Pre-Rinse  
Accessory

## Pre-Rinse Spray Valves

The B-0107 Spray Valve (1.42 GPM) complies with EPAAct 2005.

## B-0107 Pre-Rinse Spray Valve

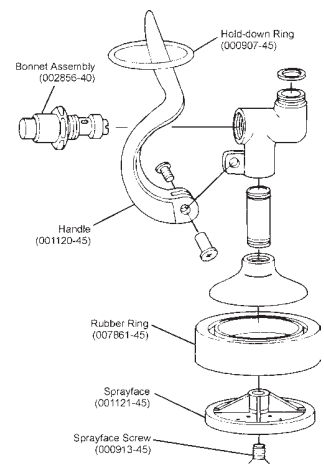
EPAAct 2005  
Compliant

### Redesigned with 1.42 GPM – EPAAct 2005 compliant

- Connects directly to T&S flexible stainless steel hose or handle assembly
- Designed for heavy use in commercial kitchens
- Shuts off when handle is released



## B-0107 Exploded View Spray Valve



**B-0107-A** Same as B-0107 but with non-splash aerator instead of spray face

**B-0107-B** Same as B-0107 but with rosespray instead of spray face

**B-0107-M** Pre-rinse spray Master Box (12)

**B-0107-QD** Spray valve with handle, hold-down ring and stainless steel quick-disconnect

Spray Valve Assemblies using the redesigned B-0107 Spray Valve (1.42 GPM) and the NEW B-0108 JeTSpray valve (1.48 GPM) comply with EPAct 2005.



## B-0107-035 Pre-Rinse Spray Valve

**Newly designed with 1.42 GPM – EPAct 2005 compliant**

- 35° angle spray valve
- Connects directly to T&S flexible stainless steel hose or handle assembly
- Designed for heavy use in commercial kitchens
- Shuts off when handle is released



## B-0108 JeTSpray Pre-Rinse Spray Valve



**New model with 1.48 GPM – EPAct 2005 compliant**

- Forged brass body – fast action stainless steel trigger
- Ergonomic design helps reduce fatigue caused by repetitive tasks
- Retrofits most commercial pre-rinse units and hoses
- Heat insulated touch points on handle with crush resistant grip
- Vandal resistant valve cap
- Tested to two million cycles plus
- Smart one-handed trigger lock
- Removable screen filter
- Quick change replacement parts



## B-0109-01 Wall Bracket

- 6" (152 mm) wall bracket (-B models)
- Fits 3/8" pre-rinse riser



- B-0109-01M** Master Box (12)
- B-0109-01VR** 6" Vandal-resistant wall bracket assembly with v.-r. mounting hardware
- B-0109-02** 9" (229 mm)
- B-0109-03** 12" (305 mm)
- B-0109-03VR** 12" Vandal-resistant wall bracket assembly with v.-r. mounting hardware
- B-0109-04** 18" (457 mm)
- B-0109-05** 24" (610 mm)
- B-0109-06** 3" (76 mm)
- B-0109-07** 2-3/8" (60 mm)
- B-0110** Same as B-0109-01 except fits 1/2" riser
- B-0159** Fits 3/4" NPT risers

## B-0119 Riser Support

- "Bi-pod" clamp assembly
- For use where no walls are available for riser support

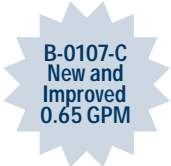


## Low Flow Pre-Rinse Accessories

### B-0100-C Low Flow Pre-Rinse Spray Unit

**NEW! B-0107-C Low flow spray valve (0.65 GPM)**

- EPAct 2005 compliant
- Designed for heavy-duty use in industrial kitchens
- Automatic shut-off valve with low flow spray head (B-0107-C)
- 3 ft. flexible stainless steel hose (B-0044-H)
- 1/2" NPT male inlet (See "Adapter Chart" p. A33 for alternate adapters)
- 48" (1219 mm) overall length of unit
- Fan jet with knife action spray
- Conserves water and saves energy



**B-0100-CM** Low flow pre-rinse spray Master Box (6)

Note: see Water Conservation Comparative Chart on next page.

### B-0107-C35 Low Flow Spray Valve

**NEW! B-0107-C Ultimate low flow spray valve (0.65 GPM)**

- EPAct 2005 compliant
- 35° angle spray valve
- Fan jet with knife action spray
- Can be used with any T&S pre-rinse assembly instead of B-0107
- Conserves water and saves energy



**B-0107-C90** Same as B-0107-C35 except with 90° angle spray valve

### B-0107-J Low Flow Spray Valve

**NEW! B-0107-J low flow spray valve (1.07 GPM)**

- EPAct 2005 compliant
- Fan jet with knife action spray
- Can be used with any T&S pre-rinse assembly
- Conserves water and saves energy



See next page for more information about the B-0107-J



Pre-Rinse Units using the NEW B-0107-C Ultimate Low Flow Spray Valve (0.65 GPM) and the B-0108-C JetSpray Valve (0.65 GPM) comply with EPAct 2005.

EPAct 2005 Compliant

## B-0107-C Ultimate Low Flow Spray Valve

**NEW! B-0107-C Ultimate low flow spray valve (0.65 GPM)**

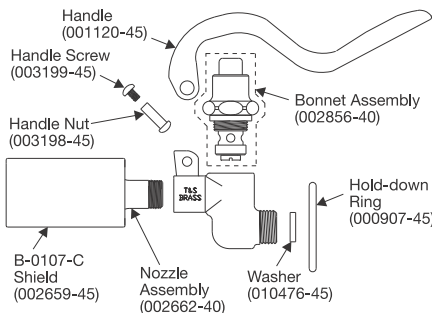
- EPAct 2005 compliant
- High performance fan jet with knife action spray
- Can be used with any T&S pre-rinse assembly instead of B-0107 spray valve
- Significantly saves water and energy

**B-0107-C  
New and Improved  
0.65 GPM**



**B-0107-CM** Low flow spray valve  
Master Box (12)

### B-0107-C Exploded Spray Valve

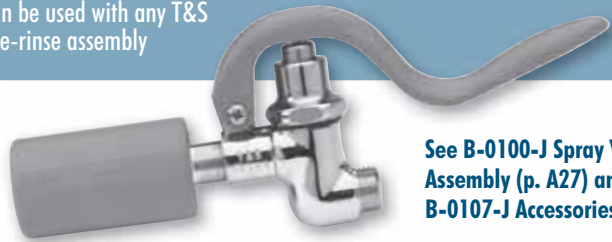


## B-0107-J Low Flow Spray Valve

**NEW!  
B-0107-J  
1.07 GPM**

**NEW! B-0107-J low flow spray valve (1.07 GPM)**

- EPAct 2005 compliant
- AB1953 and ANSI/NSF Standard 61 Compliant
- Consumes 60% less water than other EPAct 2005 compliant valves (at 1.6 GPM)
- Powerful cleaning capability makes pre-rinse tasks easier
- Tough baked-on foods come off faster
- Can be used with any T&S pre-rinse assembly



See **B-0100-J Spray Valve Assembly (p. A27)** and **B-0107-J Accessories (p. A41)**

Pre-Rinse Units using the B-0107-C Low Flow Spray Valve (0.65 GPM) or the B-0108-C Low Flow JetSpray Valve (0.65 GPM) can save you up to 100,000+ gallons of water a year!

## Water and Energy Conservation Comparison Chart Federal Limit vs. B-0107 and B-0107-C Spray Valves

**B-0107-C  
New and Improved  
0.65 GPM**

### Water Conservation

#### Assumptions:

1. Any pre-rinse unit used: 300 minutes (5 hours)/day x 360 days = **108,000 min/year**
2. Water supplied at 60 PSI: B-0107 flows 1.42 GPM, 140°F  
B-0107-C flows 0.65 GPM, 140°F, **saving 0.77 GPM**

The Federal Limit on spray valves is 1.60 GPM at 60 PSI

Compared to the Federal Limit GPM, using the **B-0107-C saves 0.95 GPM**

#### Water savings per year using the B-0107-C:

**108,000 min/year x 0.95 GPM = 102,600 gal/year SAVED**

### Energy Conservation

#### Assumptions:

1. Inlet at 65°F, outlet at 140°F

#### Energy Savings per year (using B-0107-C vs. Federal Limit):

- Electric Water Heater (90% efficiency): 9,921 KWH/year**
- Natural Gas Water Heater (80% efficiency): 379 Therms/year**
- Fuel Oil Water Heater (80% efficiency): 460 gal oil/year**

#### Total Cost Savings Per Year – Using B-0107-C vs. Federal Limit

- Electric Water Heater:** (at 0.16 dollars/KWH) – \$1587/year
- Natural Gas Water Heater:** (at .78 dollars/Therm) – \$295/year
- Fuel Oil Water Heater:** (at 2.35 dollars/gal oil) – \$1081/year

## B-0108-C JeTSpray Low Flow Spray Valve

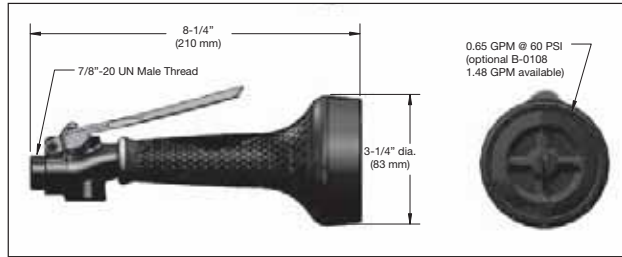


### New model with 0.65 GPM – EPA 2005 compliant

- Forged brass body
- Fast action stainless steel trigger
- Ergonomic design helps reduce fatigue caused by repetitive tasks
- Retrofits most commercial pre-rinse units and hoses
- Heat insulated touch points on handle with crush resistant grip
- Vandal resistant valve cap
- Tested to two million cycles plus
- Smart one-handed trigger lock
- Removable screen filter
- Quick change replacement parts



**B-0108-C**  
New and Improved  
0.65 GPM



## Pre-Rinse Accessories

### B-0104 Wall Hook Outlet

- Wall mounted hose connection with flange
- 3/8" NPT female inlet
- 3/4" -14 male hose thread on outlet



**B-0104-A** Same as B-0104 except outlet is 3/8" IPS male

### B-0104-D Dummy Wall Hook

- Attaches to wall with screws (furnished)
- Flange diameter 2" (51 mm)
- No inlet connection

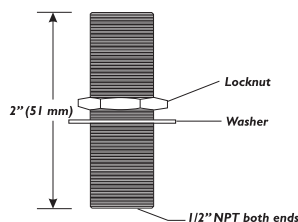


### B-0166 Dummy Wall Hook

- Attaches to wall with screws (furnished)
- Flange diameter 2" (51 mm)
- No inlet connection



### B-0425 Supply Nipple



### B-KF Built-in Protective Flange

- For use when a disappearing hose arrangement is desired
- Flange fits 1-1/2" (38 mm) hole
- Fits sheet metal up to 1/8" (3 mm) thick



**B-KG** Same as B-KF but fits sheet metal 3/16" (5 mm) thick

### B-0970-FE Atmospheric Back-Flow Preventer

- Designed for continuous pressure use
- 3/8" NPT female inlet and outlet
- Polished chrome plated
- Design prevents back siphonage and back-flow



### SQ-0093 Wall Outlet

- 3/8" NPT flanged female inlet
- 2" (51 mm) diameter flange
- 3/4" -14 male hose thread on outlet





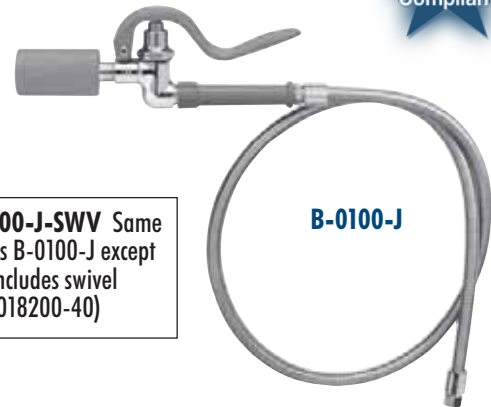
**B-0100-J**  
Low Flow Pre-Rinse Spray Unit

Uses  
**B-0107-J**  
NEW Spray  
Valve  
1.07 GPM

EPAct 2005  
Compliant

**NEW! B-0100-J Low flow pre-rinse spray valve unit (1.07 GPM)**

- EPAct 2005 compliant
- AB1953 and ANSI/NSF Standard 61 Compliant
- Consumes 60% less water than other EPAct 2005 compliant valves (at 1.6 GPM)
- Powerful cleaning capability makes pre-rinse tasks easier
- Tough baked-on foods come off faster
- Designed for heavy-duty use in industrial kitchens
- Automatic shut-off valve with low flow spray head
- 3 ft. flexible stainless steel hose (B-0044-H); 48" (1219 mm) overall length
- 1/2" NPT male inlet (See "Adapter Chart" p. A33 for other adapters)
- Fan jet with knife action spray
- Includes hold-down ring (not shown)



**B-100-J-SWV** Same as B-0100-J except includes swivel (018200-40)

**018200-40**  
Swivel For Pre-Rinse Spray Valves

- Includes: (1) 7/8-20 UN female and male swivel (2) replacement seals
- Allows a greater range of rotation and motion while using spray valves
- Retrofit between hose handle and spray body
- Makes spray valve assemblies more ergonomic
- Available for any T&S pre-rinse spray valve
- For B-0108 spray valve – attach swivel directly to spray valve



NEW  
Swivel for  
Pre-Rinse  
Spray Valves



Repair and Installation Kits

Note: Some individual items listed in parts kits may be ordered separately. Contact factory Customer Service representatives for availability.

**B-9K**  
Lever Handle Kit

- Lever handle kit includes:
  - 1 (001661-45) Index button red (hot)
  - 1 (001660-45) Index button blue (cold)
  - 2 (000922-45) Lever handle screw
  - 2 (001638-45) Lever handle blank



**B-10K-J**  
B-0107-J Repair Kit

- Parts included for the B-0107-J Spray Valve:
  - 2 (000895-45) Spring
  - 2 (000974-45) Bonnet washer brass
  - 2 (010476-45) #27 hose washer
  - 2 (001040-45) Bonnet binding washer
  - 2 (018292-45) Grey shield

**B-0107-J**  
NEW Spray  
Valve  
1.07 GPM

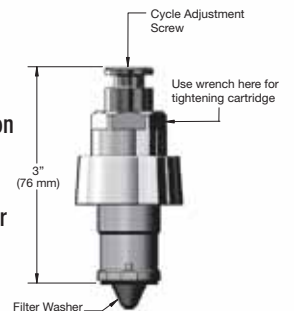
- 2 (001100-45) Packing Seal
- 2 (009306-20) Valve Stem
- 2 (012915-45) Seat Washer

**B-010K-C**  
Low Flow Spray Valve Repair Kit

- Repairs B-0107-C low-flow spray valves, and includes:
  - 2 (000895-45) Spring
  - 2 (000974-45) Bonnet washer
  - 2 (010476-45) Washer for S/S hose
  - 2 (002659-45) Shield
  - 2 (001100-45) Packing seal
  - 1 (009306-20) Valve stem
  - 2 (012915-45) Seat washer

**B-238RK**  
238A Metering Cartridge Repair Kit

- Parts included (for Push Button, Wrist Action and Pivot Action):
  - 1 (010150-45) Top washer
  - 1 (017182-45) Bottom seal filter washer
  - 1 (009391-45) 'O'-ring
  - 1 (012596-45) Bottom stem seal



## Eterna and Cerama Cartridges and Push Button and Wrist-Action Metering Cartridges

Our longstanding Eterna spindle assemblies are the standard on many T&S faucets and fittings. Our Cerama cartridges are designed for water conservation and are included in many new T&S foodservice and plumbing models. Look for the “-CR” suffix on our model numbers.

**Eterna Cartridge**

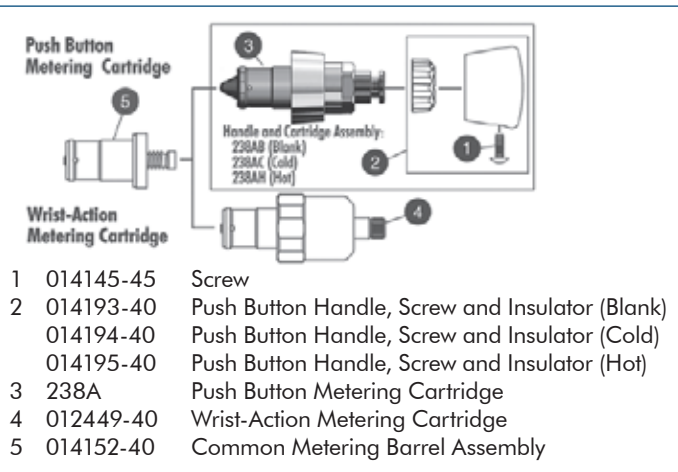
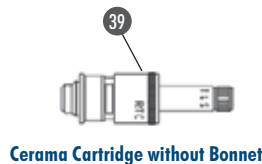
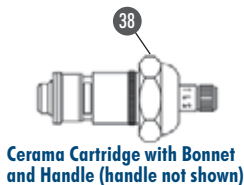
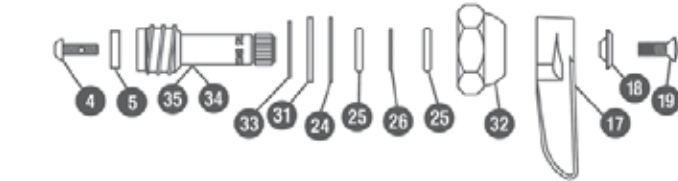
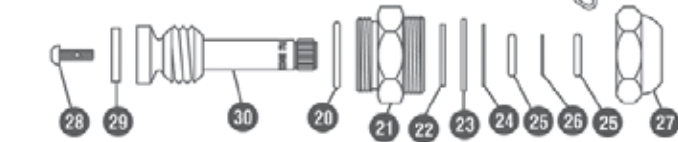
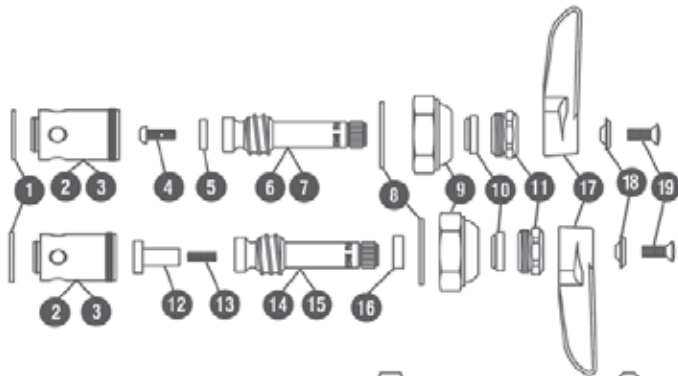
**Eterna Cartridge with Spring Check**

**Big-Flo Assembly**

**B-1100 Series**

**Ceramic Cartridges**

**238A Push Button and Wrist-Action Metering Cartridges**



- 1 014145-45 Screw
- 2 014193-40 Push Button Handle, Screw and Insulator (Blank)
- 014194-40 Push Button Handle, Screw and Insulator (Cold)
- 014195-40 Push Button Handle, Screw and Insulator (Hot)
- 3 238A Push Button Metering Cartridge
- 4 012449-40 Wrist-Action Metering Cartridge
- 5 014152-40 Common Metering Barrel Assembly

See page A41 for metering cartridge repair kit (B-238RK)

**For Standard Faucets**

Ref. Part No. Hot Side 002714-40  
Cold Side 002713-40

**For Standard Faucets – No Handle**

Ref. Part No. Hot Side 005960-40  
Cold Side 005959-40

**For Pre-Rinse Units**

Ref. Part No. Hot Side 002712-40  
Cold Side 002711-40

**For Pre-Rinse Units – No Handle**

Ref. Part No. Hot Side 012443-40  
Cold Side 012442-40

Ref. Part No. Hot and Cold Side 006482-40

Ref. Part No. Hot Side 002710-40  
Cold Side 002709-40

For use without Escutcheon (Ceramic - NO ESC)

**Cerama Cartridge with Eterna Escutcheon Bonnet**

36 011616-25 Hot  
011617-25 Cold  
011618-25 Hot with Check Valve  
011619-25 Cold with Check Valve

**Cerama Cartridge with Bonnet**

37 011278-25 Hot  
011279-25 Cold  
012394-25 Hot with Check Valve  
012395-25 Cold with Check Valve

**Cerama Cartridge with Bonnet and Handle**

38 012444-25 Hot  
012445-25 Cold  
012446-25 Hot with Check Valve  
012447-25 Cold with Check Valve

**Cerama Cartridge without Bonnet**

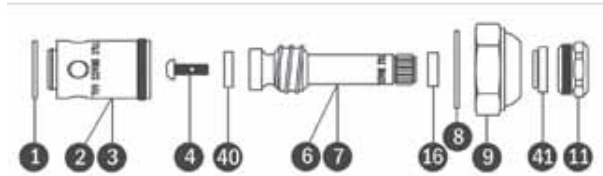
39 011276-45 Hot  
011277-45 Cold  
011311-25 Hot with Check Valve  
011312-25 Cold with Check Valve

## Quarter-Turn Hot and Cold Spindle Assemblies

Quarter-turn spindle assemblies are designed for water conservation and are included in many new T&S foodservice and plumbing models. Look for the “-QT” suffix on our model numbers.

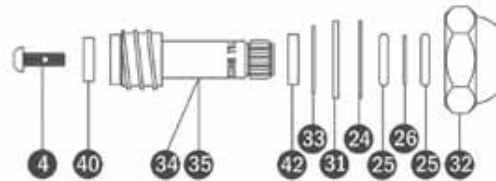


**Quarter-Turn Eterna Cartridge**



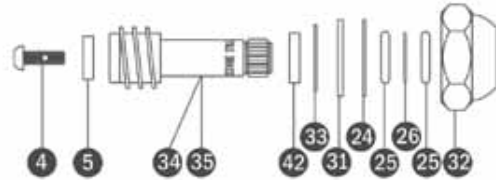
**Quarter-Turn Eterna**  
 Ref. Part No. Hot Side 006010-40QT  
 Cold Side 006009-40QT

**B-2346 Quarter-Turn Assembly**



**B-2346 Quarter-Turn**  
 Ref. Part No. Hot Side 009423-40QT  
 Cold Side 009424-40QT

**B-2346 Quarter-Turn Assembly**



**B-1100 Series Quarter-Turn**  
 Ref. Part No. Hot Side 009753-40QT  
 Cold Side 009754-40QT

|    |           |                             |    |           |                        |
|----|-----------|-----------------------------|----|-----------|------------------------|
| 1  | 001022-45 | Bottom Gasket               | 19 | 000922-45 | Lever Handle Screw     |
| 2  | 000788-20 | Removable Insert (Hot) 64L  | 20 | 002721-45 | 'O'-Ring               |
| 3  | 000789-20 | Removable Insert (Cold) 66L | 21 | 000685-20 | Removable Insert       |
| 4  | 000933-45 | Seat Screw                  | 22 | 000976-45 | Brass Washer           |
| 5  | 001092-45 | Seat Washer                 | 23 | 001042-45 | Rubber Washer          |
| 6  | 000811-25 | Spindle (Hot) 18L           | 24 | 002726-45 | Stainless Steel Washer |
| 7  | 000812-25 | Spindle (Cold) 67L          | 25 | 001075-45 | 'O'-Ring               |
| 8  | 002601-45 | Top Gasket                  | 26 | 009752-45 | Washer                 |
| 9  | 009744-45 | Bonnet                      | 27 | 009750-25 | Bonnet                 |
| 10 | 013430-45 | Bonnet Seal Packing         | 28 | 000933-45 | Seat Screw             |
| 11 | 000718-25 | Packing Nut                 | 29 | 001088-45 | Seat Washer            |
| 12 | 003164-45 | Spring Check Seat           | 30 | 000794-25 | Spindle (Hot and Cold) |
| 13 | 001479-45 | Spring                      | 31 | 001047-45 | Rubber Washer          |
| 14 | 001907-25 | Spindle (Hot) 264L          | 32 | 009749-25 | Bonnet                 |
| 15 | 001908-25 | Spindle (Cold) 263L         | 33 | 000986-45 | Brass Washer           |
| 16 | 001466-20 | Quarter-Turn Sleeve         | 34 | 000801-25 | Spindle (Cold)         |
| 17 | 001638-45 | Lever Handle, Blank         | 35 | 000800-25 | Spindle (Hot)          |
|    | 001637-45 | Lever Handle, Hot           | 40 | 001136-45 | Teflon Washer          |
|    | 001636-45 | Lever Handle, Cold          | 41 | 001098-45 | Bonnet Washer          |
| 18 | 001661-45 | Index, Red, Hot             | 42 | 018163-20 | Washer                 |
|    | 001660-45 | Index, Blue, Cold           |    |           |                        |



**Quarter-Turn Spindle Assemblies**

## Repair and Installation Kits

A  
44

### B-10K B-0107 Spray Valve Repair Kit

- Repairs B-0107 spray valves:
- 2 (000895-45) Spring
- 2 (000974-45) Bonnet washer
- 2 (010476-45) Hose washer
- 2 (001100-45) Packing stem
- 2 (009306-20) Valve stem
- 2 (001040-45) Bonnet binding washer
- 2 (012915-45) Seat washer
- 1 (007861-45) Spray head ring
- 1 (000913-45) Spray face screw
- 1 (001121-45) Spray face



### B-0108 and B-0108-C JetSpray Valve Repair Kits

#### SPRAY FACE Repair Kits:

- B-0108-C Low Flow (0.65 GPM): **108CSF-RK**
- B-0108 Standard (1.42 GPM): **108SF-RK**

- TRIGGER Repair Kit: **108T-RK**



- VALVE Repair Kit: **108V-RK**

### B-23K Spring Check Spindle Assembly Replacements

- Includes:
- 1 (002711-40) Left-hand Eterna spindle with spring check
- 1 (002712-40) Right-hand Eterna spindle with spring check



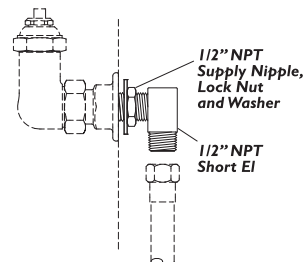
### B-0114-RK Pre-Rinse Repair Kit

- B-0114 style pre-rinse unit repair kit. Includes materials to repair both knuckles and elbow:
- 2 (009228-40) Knuckle joint asy.
- 1 (009227-40) Elbow joint asy.

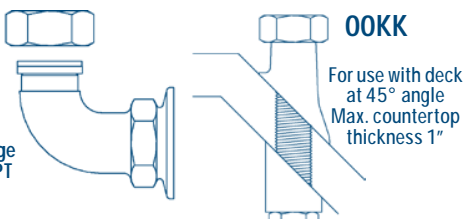
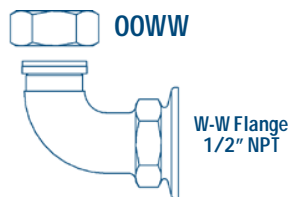
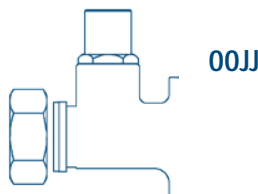
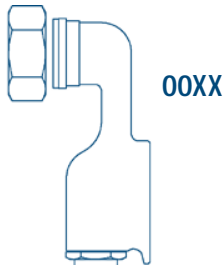
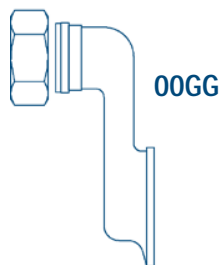
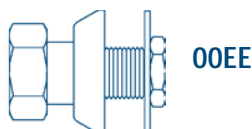
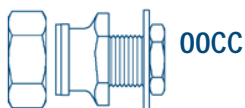


### B-0230-K Installation Kit B-0230 Style Faucets

- Installation kit includes:
- 2 1/2" supply nipples
- 2 Locknuts
- 2 Washers
- 2 Lock washers
- 2 Male and female short elbows



## Inlet Product Options



### Union Coupling Inlets

The following inlets are polished chrome plated and used on mixing faucets to meet varying conditions of installation. All are interchangeable and are used in lieu of the "OOAA" inlets which are ordinarily furnished on faucets using union coupling inlets. All are available in rough chrome if specified. To order, add suffix letter to faucet model number. For example: "B-0230-CC" sink mixing faucet with 1/2" NPT male inlet, 1" (25 mm) long.

- OOAA** 1/2" NPT female eccentric flanged inlet
- OOBB** 3/4" NPT female eccentric flanged inlet
- OOCC** 1/2" NPT male inlet, 1" (25 mm) long
- OOEE** 1/2" NPT male inlet with adjustable flange, 1" (25 mm) long
- OOGG** 1/2" NPT female flanged adjustable inlet
- OOXX** 1/2" NPT female flanged adjustable inlet with screwdriver stop
- OOJJ** 1/2" NPT female inlet with loose key stop
- OOWW** 1/2" NPT female flange 90° inlet
- OOYY** 3/4" NPT female flange 90° inlet
- OOKK** 1/2" NPT male inlet for use on 45° decks. Inlet is at 45° angle to mounting face
- OOQQ** 3/8" NPT female eccentric flanged inlet

**B** Pot, Kettle and Glass Fillers







RELIABILITY BUILT IN™

*T&S Introduces*

## Our Redesigned and Improved Glass Fillers with a Sleek New Look

### Check them out!

Our ever-popular glass fillers have an improved design and an updated look.

These new models replace our former glass fillers and use the same model numbers. They also include very similar specifications, so you can easily replace the old models with the new ones.

### T&S Glass Filler Features:

- Redesigned actuation dark blue lever arm – for ease of filling small styrofoam cups and pitchers
- New valve has easy-touch actuation
- Easier adjustment of flow control on hex key flow outlet
- Repair and replacement parts kits are available



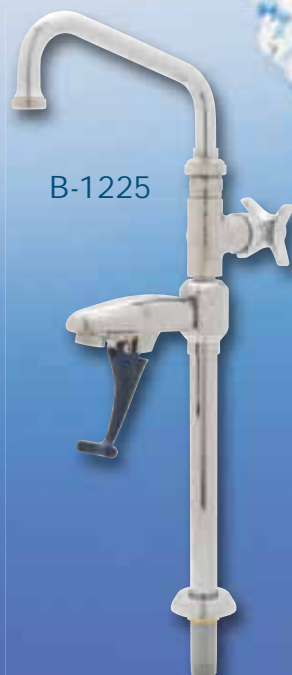
B-1200

B-1205

B-1210



B-1220



B-1225



B-1230

Glass Fillers

B  
4

**B-1200**  
Push Back Glass Filler

- Wall mounted, 3/8" NPT female inlet
- Adjustable slip flange
- Hex key adjustable flow outlet
- 5-3/16" (131 mm) from front of filler to wall
- Lexan blue push back arm
- Instantaneous shut-off



**B-1200-M** Master Box (12)  
**B-1201** Same as B-1200 except without adjustable flange; 4-3/8" from front of filler to wall

**B-1205**  
Push Back Glass Filler

- Wall mounted, 3/8" NPT male inlet
- Hex key adjustable flow outlet
- 4-7/8" (124 mm) from front of filler to wall
- Lexan blue push back arm
- Instantaneous shut-off



**B-1204** Same as B-1205 except with 1/2" NPT male inlet  
**B-1205-M** Master Box (12)

**B-1215**  
Pedestal Push Back Double Glass Filler

- Countertop mounted double glass filler
- 2" adjustable flange on pedestal
- 1/2" NPT male shank 2" (51 mm) long
- 8-7/16" (214 mm) base of flange to outlet
- Hex key adjustable flow outlet
- Valves mounted 180° opposite
- Two lexan blue push back arms
- Instantaneous shut-off



**B-1220**  
Pedestal Push Back Glass Filler, Female Inlet

- 2" adjustable flange on shank of pedestal
- 3/8" NPT female inlet
- Designed especially for mounting on electric water coolers
- 8" (204 mm) base of flange to outlet
- Hex key adjustable flow outlet
- Lexan blue push back arm
- Instantaneous shut-off



**B-1222** Same as B-1220 except inlet is 1/2" NPT female

**B-1202**  
Push Back Glass Filler

Same as B-1200 except:

- Extended nipple with 1/4" NPT male tailpiece for 1/4" O.D. copper tubing
- Use for mounting on ice cabinets up to 2-1/4" (57 mm) thick
- Longer length nipple to fit 4-1/4" (106 mm) thick cabinet available on request



NEW  
Glass Filler  
Design!

**B-1210**  
Pedestal Push Back Single Glass Filler

- Countertop mounted glass filler
- 2" adjustable flange on shank of pedestal
- 1/2" NPT male shank 2" (51 mm) long
- Base of flange to outlet is 7-3/4" (197 mm)
- Hex key adjustable flow outlet
- Lexan blue push back arm
- Instantaneous shut-off
- Mounted height: 8-15/16" (116 mm)



**B-1210-01** Same as B-1210 except base of flange to outlet is 10-15/16" (278 mm)  
**B-1210-01M** Master Box (6)  
**B-1210-M** Master Box (6)  
**B-1210-12** Same as B-1210 except base of flange to outlet is 12-1/16" (306 mm)  
**B-1211** Same as B-1210 except base of flange to outlet is 3-3/4" (95 mm)

**B-1225**  
Combination Glass and Pitcher Filler

- Dual purpose unit – glass filler for glasses, and 6" (152 mm) swing nozzle for pitchers (059X)
- 4-arm handle for water flow to gooseneck
- 15-1/16" (382 mm) base of flange to outlet of pitcher filler
- Hex key adjustable flow outlet on glass filler
- Lexan blue push back arm
- 2" adjustable flange on shank of pedestal
- 1/2" NPT male shank 2" (51 mm) long



NEW  
Glass Filler  
Design!

Glass Fillers

**B-1230**  
Water Station

- 10-5/8" (270 mm) x 12-5/8" (321 mm) drip pan is one piece of 18 gauge stainless steel
- B-1210 push back glass filler with 7-3/4" (197 mm) clearance from tip to pan (other heights available on request)
- Coupling nut and 1/4" (6 mm) sweat tailpiece for copper tube connection
- 2-1/4" diameter grid drain
- Drain 1-1/4" x 3-3/4" long, 17 gauge tailpiece



NEW  
Glass Filler  
Design!

**B-1230-12** Same as B-1230 except with 13-7/16" tall (341 mm) pedestal glass filler with 8-13/16" clearance  
**B-1231** Same as B-1230 except includes stainless steel drip pan only

**B-1240**  
Stainless Steel Drip Pan  
and Pedal Valve Control

- B-0507 foot pedal valve with 1/2" NPT inlet and outlet
- B-1231 stainless steel drip pan
- B-0520 dummy gooseneck with 1/2" NPSM male shank
- 9-1/2" (241 mm) from tip of nozzle to pan (other heights available on request)



**B-1200 Exploded View**



**B-1235**  
Water Station with Splash Guard

- Same as B-1230 except with 6" (152 mm) high splash guard around back and sides to prevent excess water from splashing surrounding areas

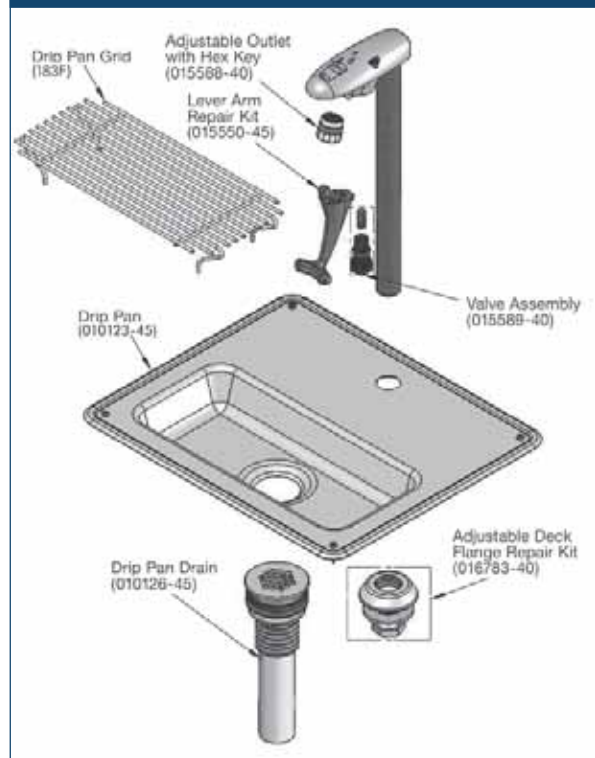


B  
5

**B-1260**  
Mixing Faucet with Glass Filler  
and Add-On Faucet

- 4" C/C deck mounted mixing faucet, 1/2" NPT male
- Swivel to rigid adapter
- 3/8" tee and glass filler assembly
- Add-on faucet with 6" (152 mm) swing nozzle and 2.2 GPM aerator
- 15-1/2" (393 mm) from base faucet to outlet of swing nozzle
- 9-3/4" (248 mm) from base of faucet to glass filler outlet
- Adjustable wall bracket from 2" (51 mm) to 12" (304 mm)

**B-1230 Water Station Explosion**





## Pot, Kettle and Glass Fillers

B  
6

### B-0102 Pot and Glass Filler

- Automatic shut-off valve (002866-40)
- Plain end curved nozzle
- Retaining ring for continuous flow of water
- B-0068-H flexible stainless steel hose
- 72" (1829 mm) overall length; 1/2" NPT male inlet



### B-0102-B Pot and Glass Filler

- Same as B-0102, but with straight nozzle

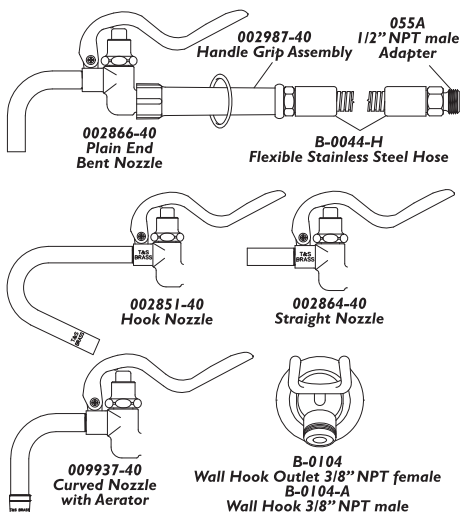


### B-1413 Pot and Kettle Filler

- Squeeze valve with quick-connect socket and automatic shut-off valve (B-1420)
- Quick connect hook nozzle (B-1424)
- B-0044-H flexible stainless steel hose
- 1/2" NPT male inlet
- 76" (1930 mm) overall length of unit



### Pot and Glass Filler Options



### B-0102-A Pot Filler Hose Assembly

- Automatic shut-off valve (002851-40)
- Hook nozzle for use on large pots and steam kettles
- Retaining ring for continuous flow of water
- B-0068-H flexible stainless steel hose; 1/2" NPT male inlet



### B-0102-C Pot and Glass Filler with Aerator

- Same as B-0102, but with aerator at outlet



### B-0113-CR-BVB-A EasyInstall Vertical Glass Filler

- Single hole deck mount vertical glass filler with ceramic cartridges and check valves
- B-0970-FEZ vacuum breaker
- Stainless steel hose assembly with 24" riser and overhead spring
- B-0107-A spray valve with 2.2 GPM non-splash aerator
- 6" (152 mm) wall bracket
- Flex supply hoses

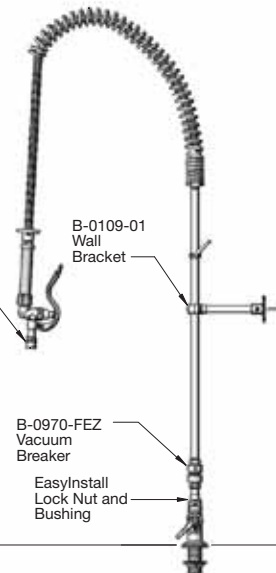
**EasyInstall**

B-0107-A Spray Valve with 2.2 GPM Aerator

B-0109-01 Wall Bracket

B-0970-FEZ Vacuum Breaker

EasyInstall Lock Nut and Bushing



### Adapter Chart

When specified, these adapters will be provided in place of the 1/2" NPT male adapter normally furnished.

|      |                         |
|------|-------------------------|
| 052A | 1/4" NPT female         |
| 053A | 3/8" NPT male (Chicago) |
| 054A | 3/8" NPT female         |
| 055A | 1/2" NPT male           |
| 056A | 1/2" NPT female         |
| 057A | 3/4" NPT male           |
| 058A | 3/4" NPT female         |
| 059A | Garden Hose female      |
| 172A | 1/4" NPT male (Fisher)  |
| 098A | Connect two hoses       |

## Dipperwell Faucets

### B-2282 Dipperwell Faucet

- 5-3/4" (146 mm) overall height
- 1-3/8" (35 mm) above table
- 1/16" (1.6 mm) solder inlet
- Also available with flow control:

| Model No.  | Flow (GPM) |
|------------|------------|
| B-2282-F03 | 0.25       |
| B-2282-F05 | 0.40       |
| B-2282-F07 | 0.70       |
| B-2282-F10 | 0.90       |
| B-2282-F12 | 1.20       |
| B-2282-F15 | 1.40       |
| B-2282-F20 | 2.00       |
| B-2282-F25 | 2.50       |

**To order:**

Select flow desired, then add suffix to model number.

Ex.: B-2282-**F03** for 0.25 GPM



### 006678-45 Dipperwell Bowl

- Keeps ice cream scoops and paddles clean and sanitized
- Stainless steel internal cup, outer container and tail washer
- 4" (102 mm) length of 1-1/2" (38 mm) brass tubing
- Sits flush with table top
- Drains quickly and easily



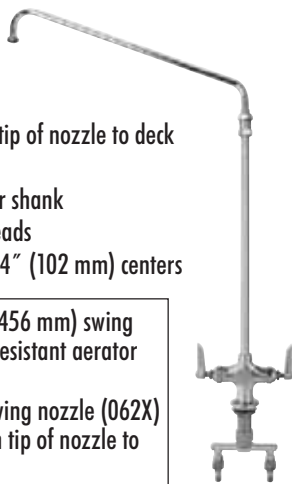
- B-2282-01** Includes B-2282 Dipperwell faucet and 006678-45 Dipperwell bowl
- B-2282-01-F05** Same as B-2282-01 except with 0.40 GPM flow tower
- B-2282-01-M10** Master pack includes (10) B-2282-01 faucet and bowl assemblies

## Elevated Kettle Filling Faucets

### B-0270 Double Pantry Faucet with Elevated Swing Nozzle

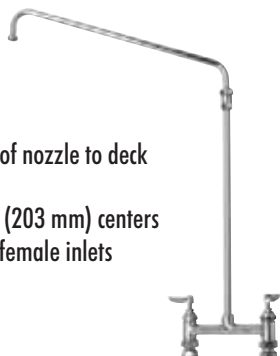
- 18" (457 mm) swing nozzle (065X)
- Swivels from top
- 3/8" NPT 18" riser
- 26-3/4" (679 mm) from tip of nozzle to deck
- Lever handles
- 1-1/8" (29 mm) diameter shank
- 1/2" NPT male inlet threads
- B-0300 base faucet with 4" (102 mm) centers

- B-0270-144XVF22** 18" (456 mm) swing nozzle (065X), vandal resistant aerator and 6" (152 mm) riser
- B-0271** 12" (305 mm) swing nozzle (062X) 25-1/4" (641 mm) from tip of nozzle to above deck



### B-0281 Deck Faucet with Elevated Swing Nozzle

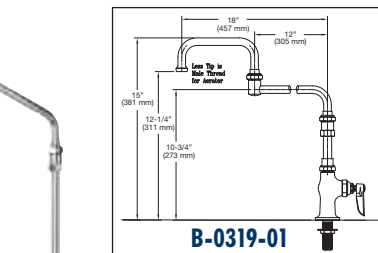
- 12" (305 mm) swing nozzle (062X)
- Swivels from top
- 3/8" NPT 18" riser
- 25-1/4" (641 mm) from tip of nozzle to deck
- Lever handles
- B-0320 base faucet with 8" (203 mm) centers
- 1/2" NPT eccentric flanged female inlets



### B-0275 Single Pantry Faucet with Elevated Swing Nozzle

- 18" (457 mm) swing nozzle (065X)
- Swivels from top
- 3/8" NPT 18" riser
- 27-1/4" (692 mm) from tip of nozzle to deck
- Lever handle
- 1/2" NPS single shank

- B-0276** 12" (305 mm) swing nozzle (062X) 25-3/4" (654 mm) from tip of nozzle to above deck
- B-0277** 6" (152 mm) swing nozzle (059X) 24-1/2" (622 mm) from tip of nozzle to above deck



- B-0319-01** Single pantry mixing faucet with 18" double-joint swing nozzle and 4-5/8" extension
- B-0319-02** Same as B-0319-01 except with 7-5/8" extension
- B-0319-03** Same as B-0319-01 except with 24" double-joint swing nozzle
- B-0319-04** Same as B-0319-03 except with 7-5/8" extension

### B-0541 Deck Mounted Elevated Nozzle Unit

- Deck mounted base
- 6" (152 mm) swing nozzle (059X)
- 3/8" NPT 18" riser
- 21" (533 mm) clearance deck to outlet

- B-0542** 12" (305 mm) nozzle (062X) 22-3/4" (578 mm) clearance deck to outlet



"Wok Wand" Faucets

B  
8

**B-0575**  
Chinese Back Mounted Faucet

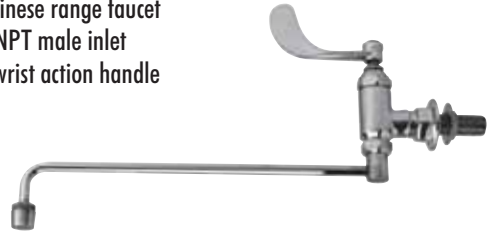
- Range back mounted faucet
- For cold water only
- On-off control actuated when nozzle swings to right or left
- 13-3/4" (349 mm) nozzle with aerator
- 3/8" NPT female inlet
- 2.2 GPM aerator outlet



**B-0576** Same as B-0575 except with 3/8" male inlet  
**B-0577** Same as B-0575 except with 1/2" male inlet  
**B-0577-09** Same as B-0577 except with 8-7/8" (225 mm) nozzle length and 1/2" NPSM male inlet

**B-0578-01**  
Chinese Range Faucet

- Heavy duty Chinese range faucet
- Flanges 1/2" NPT male inlet
- 4" (102 mm) wrist action handle (B-WH4)



**B-0578** Same as B-0578-01 except with 1/2" British thread male inlet  
**B-0579-01** Same as B-0578-01 except with 1/2" NPT female inlet  
**B-0579** Same as B-0578-01 except with 1/2" British thread female inlet

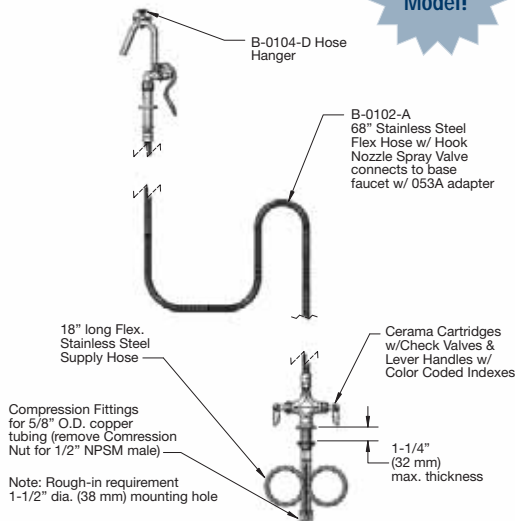
**B-2343**  
Chinese Pedestal Faucet

- Pedestal mounted faucet
- 1/2" NPT male shank 2" (51 mm) long
- 7" (178 mm) pedestal
- For cold water only
- On-off control actuated when nozzle swings to right or left



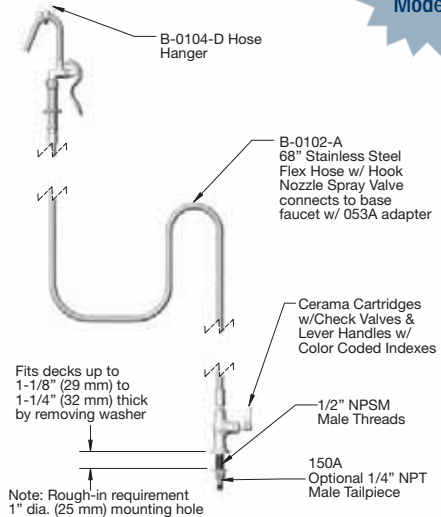
Range Faucets and Pot Fillers

**B-0300-102A-CR**  
Pot Filler Faucet Assembly



- Single hole deck mounted mixing faucet
- Lever handles with ceramic cartridges with check valves
- (2) 18" long flex. stainless steel supply hose connectors, compression fittings
- B-0102-A spray valve hook nozzle assembly with 68" flexible stainless steel hose
- 053A adapter connects to faucet
- Wall hanger hook (B-0104-D)

**B-0305-102A-CR**  
Pot Filler Faucet Assembly



- Single control deck mounted pantry faucet
- Lever handle with ceramic cartridge with check valve
- 1/2" NPSM male threaded shank with optional 1/4" NPT tailpiece
- B-0102-A spray valve hook nozzle assembly with 68" flexible stainless steel hose
- 053A adapter connects to faucet
- Wall hanger hook (B-0104-D)

Range Faucets and Pot Fillers

**B-0318-02**  
Pot Filler Faucet

- Deck mounted
- Single temperature control
- 360° swing nozzle with B-0199-01 2.2 GPM aerator
- Four-arm handle
- 1/2" NPSM male shank with locknut and lock washer
- 16-3/4" (425 mm) overall height
- ADA compliant



**B-0319** Single pantry faucet with 24" (062X) double joint swing nozzle

**B-0318-03**  
Pot Filler Faucet

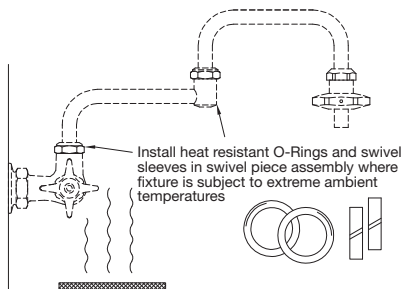
- Single hole deck mounted mixing faucet
- 90° swing nozzle with 360° rotation and B-0199-01 2.2 GPM aerator
- Lever handles
- 1/2" NPT male threads
- 15" (381 mm) overall height
- ADA compliant



Range Faucet Accessory

**067-HR**  
Heat Resistant O-Rings and Swivel Sleeves

- Can be added to any faucets with a double-jointed nozzle with insulated on-off control grip



**B-0580**  
Pot Filler

- Wall mounted
- 18" (457 mm) double-joint nozzle (002848-40)
- 1/2" NPT female inlet
- Adjustable flange
- Insulated on-off volume control grip on tip of nozzle (035A)



Note: Stop valve should be installed in supply line.

**B-0581** Same as B-0580 except with 24" (610 mm) double-joint nozzle (002872-40)

**B-0585** Same as B-0580 except with deck mounting

**B-0584** Same as B-0585 except with 24" (610 mm) double-joint nozzle (002872-40)

**B-0590**  
Pot Filler Faucet

- Deck mounted faucet
- Single control
- 1/2" NPS single shank
- 18" (457 mm) double-joint nozzle (002848-40)
- Insulated on-off volume control grip on tip of nozzle (035A)



**B-0591** same as B-0590 except with 24" (610 mm) double-joint nozzle (002872-40)

**B-0592**  
Pot Filler Faucet

- Wall mounted faucet
- Single control
- 18" (457 mm) double-joint nozzle (002848-40)
- 1/2" NPT female inlet
- Insulated on-off control grip on tip of nozzle (035A)



**NEW Faucet Model!**

**B-0592-CR** Same as B-0592 except with ceramic cartridges

**B-0594** Same as B-0592 except with 24" (610 mm) double-joint nozzle (002872-40)

## Range Faucets and Pot Fillers

### B-0597 Pot Filler Faucet



**NEW  
Faucet  
Model!**

- Wall mounted faucet
- 8" (203 mm) centers
- 1/2" NPT female inlets
- 18" (457 mm) double-joint nozzle (002848-40)
- Insulated on-off control grip on tip of nozzle (035A)

**B-0597-CR** Same as B-0592 except with ceramic cartridges

**B-0597-JJ** Same as B-0597 except with 1/2" NPT 00JJ integral loose key inlet stops

### B-0598 Pot Filler Faucet

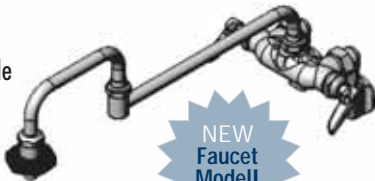


- Wall mounted faucet
- 8" (203 mm) centers
- 1/2" NPT female inlet
- 24" (610 mm) double-joint nozzle (002872-40)
- Insulated on-off control grip on tip of nozzle (035A)

**B-0594** Same as B-0592 except with 24" (610 mm) double joint nozzle (002872-40)

### B-0599-CR Pot and Kettle Filler

- Wall mounted mixing faucet
- 18" double joint swing nozzle (2848-40) with heat-resistant on-off handle
- 1/2" NPT adjustable wall flange female inlets (adjustable from 2-1/4" to 8-1/4")
- Cerama cartridges with check valves
- Lever handles



**NEW  
Faucet  
Model!**

### B-0600 Pot and Kettle Filler

- Wall mounted with 1/2" NPT female inlet
- Vacuum breaker on outlet (B-0968)
- B-0068-H flexible stainless steel hose
- Hook nozzle with self closing valve
- Hold down ring for continuous flow of water



**B-0601** same as B-0600 except without squeeze valve; hook nozzle attaches directly to end of hose

### B-0605 Pot and Kettle Filler

- Wall mounted with single control
- 1/2" NPT female inlet
- Vacuum breaker on outlet (B-0968)
- B-0068-H flexible stainless steel hose
- Hook nozzle with self closing valve
- Hold down ring for continuous flow of water
- Adjustable flange



**B-0606** same as B-0605 except without squeeze valve; hook nozzle attaches directly to end of hose

### B-0610 Pot and Kettle Filler

- Wall mounted mixing faucet
- 8" (203 mm) centers
- 1/2" NPT female inlet
- Vacuum breaker (B-0968)
- B-0068-H flexible stainless steel hose
- Hook nozzle with self closing valve
- Hold down ring for continuous flow of water
- Built in check valves to prevent crossflow of water



**B-0610-JJ** same as B-0610 except with SS stops with 1/2" NPT female inlets

**B-0611** same as B-0610 except without squeeze valve; hook nozzle attaches directly to end of hose

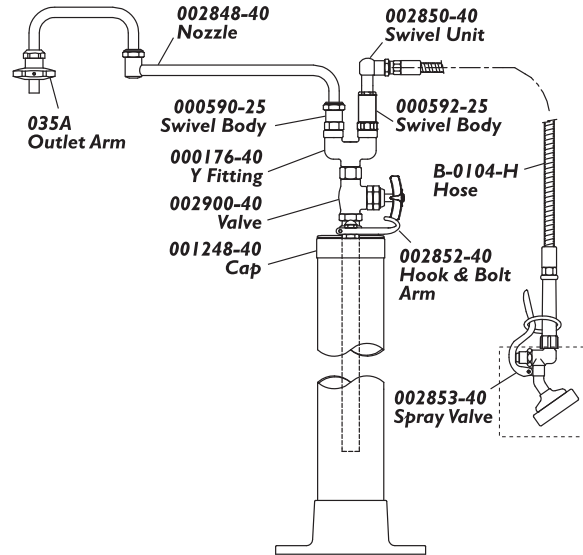
## Range Faucets and Pot Fillers

### B-2312 Pot Filler with Quick-Disconnect

- Wall mounted mixing faucet
- 8" (203 mm) centers
- 1/2" NPT female inlet
- Vacuum breaker (B-0968)
- B-0044-H flexible stainless steel hose
- B-1420 Quick-disconnect valve with B-1421, B-1422 and B-1424 quick-disconnect spray heads
- Hold down ring for continuous flow of water
- Built in check valves to prevent crossflow of water



### B-0180 Kettle Kaddy Explosion

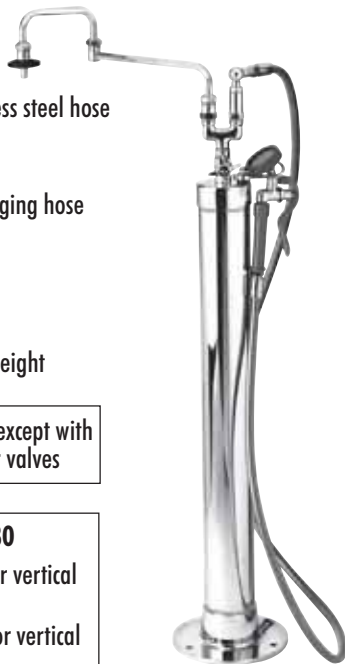


## Kettle Kaddy Spray Stanchions

- All models:
- Are free standing kettle fillers and rinsers
  - Serve one to three kettles
  - Easy to install
  - Easy to clean – sturdy – versatile
  - All piping concealed
  - Any length hose furnished upon request
  - For large floor mounted steam jacketed and self-contained kettles
  - Base flange with three bolts holds units firmly to floor (bolts cement anchors included)

### B-0180 Combination Kettle Filler and Spray Stanchion

- 18" (457 mm) double joint nozzle with on-off control (002848-40)
- B-0104-H flexible stainless steel hose
- Spray valve (B-0107-35)
- Tee swivels
- Hose attachment for hanging hose when not in use
- 1/2" NPT connection
- Single water service
- Chrome plated stanchion
- 49" (1245 mm) overall height



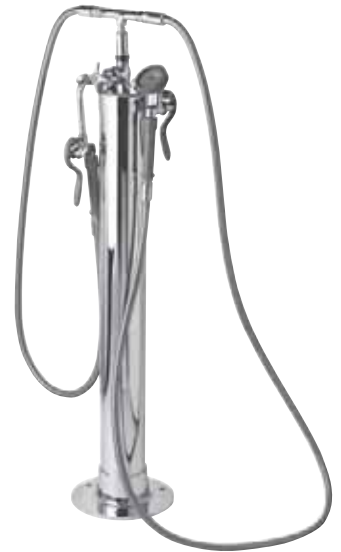
**B-0182** Same as B-0180 except with both hot and cold water valves

#### Check Valves for B-0180

B-CVH1-2 for horizontal or vertical use, 1/2" NPT female  
B-CVH3-4 for horizontal or vertical use, 3/4" NPT female  
Furnished in rough brass

### B-0190 Combination Kettle Filler and Spray Stanchion

- Automatic shut-off valve with hook nozzle (002851-40)
- B-0144-H flexible stainless steel hose
- Self-closing spray valve (B-0107-35)
- Chrome plated stanchion
- Tee swivels
- Hook attachment for hanging hose when not in use (002852-40)
- 1/2" NPT connection
- Single water service
- 44" (1118 mm) overall height



#### Check Valves for B-0190

B-CVH1-2 for horizontal or vertical use, 1/2" NPT female  
B-CVH3-4 for horizontal or vertical use, 3/4" NPT female  
Furnished in rough brass

**B-0192** Same as B-0190 except with both hot and cold water valves  
**B-0193** Same as B-0192 except with a continuous pressure vacuum breaker (B-0970-01) at tee swivel

Kettle Kaddy Spray Stanchions

B  
12

**B-0195**  
Kettle Filler Hose Stanchion

- Automatic shut-off valve with hook hanger (002851-40)
- B-0068-H flexible stainless steel hose
- Hook attachment for hanging hose when not in use (002853-40)
- Single water service
- 1/2" NPT connection
- 44" (1118 mm) overall height



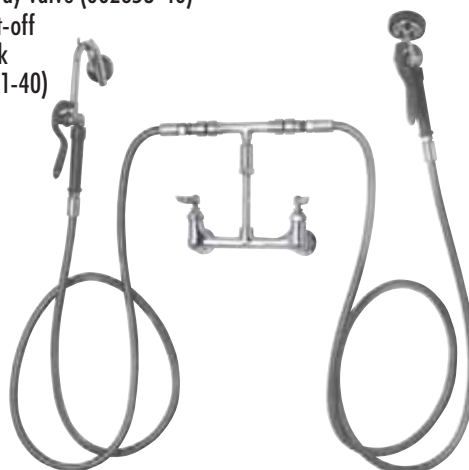
**B-0196** Same as B-0190 except with a continuous pressure vacuum breaker (B-0970-01) at hose connection

**B-0187** Same as B-0195 except with both hot and cold water valves

**B-0188** Same as B-0187 except with a continuous pressure vacuum breaker (B-0970-01) at hose connection

**B-2331**  
Combination Pot Filler and Spray Assemblies

- Wall mounted mixing faucet with 8" (203 mm) centers
- 1/2" NPT female inlets
- Two in-line vacuum breakers (B-0970-FE)
- Two wall hooks (B-0166)
- Two B-0144-H flexible stainless steel hoses
- Self closing spray valve (002853-40)
- Automatic shut-off valve and hook nozzle (002851-40)
- Tee swivel
- Built-in check valve



Big-Flo Add-On Faucets and Faucets for Pot Sinks and Kettles

**B-0286-LNEZ**  
Big-Flo EasyInstall Add-On Faucet Assembly

- For use with B-0290 Big-Flo series faucets
- 3/8" NPT female pre-rinse unit connection (can be plugged if not required)
- 6-1/4" tall x 5-3/8" deep with four-arm handle (175F)
- Furnished with serrated lock washer for non-swivel installation in base faucet
- Outlet accepts Big-Flo swing nozzles



**B-0287**  
Big-Flo Pre-Rinse with Add-On Faucet

**Easy Install**

- EasyInstall 8" (203 mm) centers wall mount base faucet (002840-40CV)
- Four-arm handles with color coded indexes
- EasyInstall B-0286-LNEZ add-on faucet with 12" (305 mm) swing nozzle (114X)
- 3/8" NPT 18" riser
- B-0044-H stainless steel hose
- B-0107 spray valve (1.42 GPM)
- 3/4" NPT elbows furnished to allow for option deck mounting
- Furnished with two 3/4" NPT check valves



**B-0287-427-B** Same as B-0287 except with B-0427 inlet supply nipples and 6" (152 mm) wall bracket

## Big-Flo Faucets for Pot Sinks and Kettles

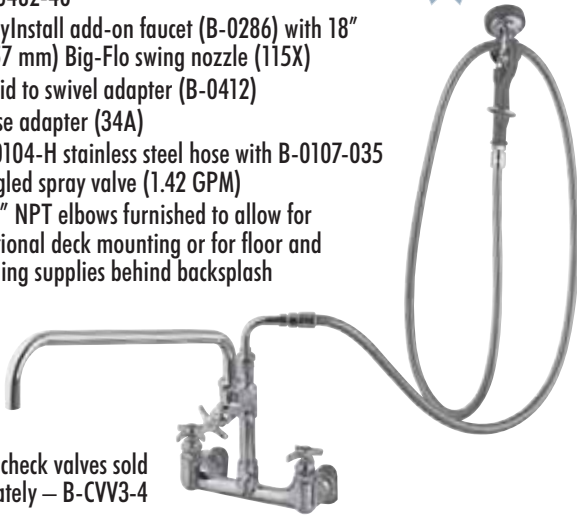
Note: Aerators are not available on Big-Flo series faucets

### B-0289 Big-Flo Faucet

**EasyInstall**

**NEW  
Big-Flo  
DESIGN!**

- EasyInstall 8" (203 mm) centers wall mount base faucet (002840-40CV)
- Hot and cold spindle assemblies – 006482-40
- EasyInstall add-on faucet (B-0286) with 18" (457 mm) Big-Flo swing nozzle (115X)
- Rigid to swivel adapter (B-0412)
- Hose adapter (34A)
- B-0104-H stainless steel hose with B-0107-035 angled spray valve (1.42 GPM)
- 3/4" NPT elbows furnished to allow for optional deck mounting or for floor and ceiling supplies behind backsplash



Note: check valves sold separately – B-CVV3-4

**B-0284** Same as B-0289 except with 12" (305 mm) swing nozzle (114X)

### B-0290 Big-Flo Faucet

**NEW  
Big-Flo  
Models!**



- Wall mounted faucet with 8" (203 mm) centers
- 3/4" NPT model LL street EL eccentric inlets with locknuts
- 12" (305 mm) Big-Flo swing nozzle (114X)
- 175F four-arm handles
- 1-1/4" (32 mm) diameter holes required in backsplash

Note: This model includes 00LL street ELs. If not required, specify inlets of faucet 3/4" NPT female flange

**B-0290-01** Same as B-0290 except with 16" swing nozzle (015297-40)

**B-0290-04** Same as B-0290 except with 4" wrist-action handles with color coded indexes

**B-0290-14** Same as B-0290 except with 14" (356 mm) swing nozzle

**B-0290-LN** Same as B-0290 except less (114X) nozzle

**B-0291** Same as B-0290 except with 18" (457 mm) swing nozzle (115X)

**B-0292** Same as B-0290 except with 24" (610 mm) double-joint swing nozzle (116X)

## Big-Flo Flow Rates

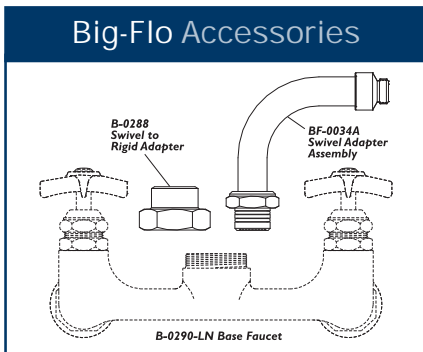
B-0290, B-0291, B-0293 and B-0294

| Inlet Pressure When Water Is Flowing | Either Hot or Cold Sides Open | Both Hot and Cold Sides Open |
|--------------------------------------|-------------------------------|------------------------------|
| 20 PSI                               | 17 GPM                        | 31 GPM                       |
| 30 PSI                               | 21 GPM                        | 38-39 GPM                    |
| 40 PSI                               | 25 GPM                        | 45-47 GPM                    |
| 50 PSI                               | 29 GPM                        | 52-55 GPM                    |

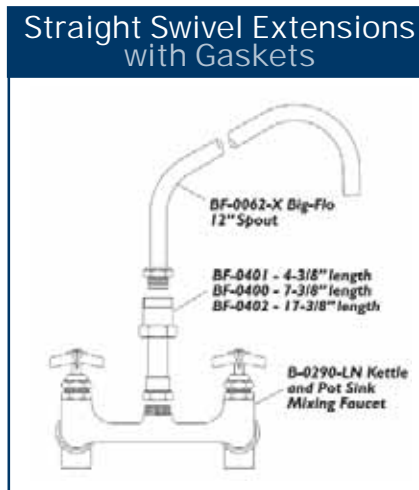
B-0292 and B-0295

| Inlet Pressure When Water Is Flowing | Either Hot or Cold Sides Open | Both Hot and Cold Sides Open |
|--------------------------------------|-------------------------------|------------------------------|
| 20 PSI                               | 17 GPM                        | 27 GPM                       |
| 30 PSI                               | 20 GPM                        | 33 GPM                       |
| 40 PSI                               | 24 GPM                        | 39 GPM                       |
| 50 PSI                               | 27 GPM                        | 45 GPM                       |

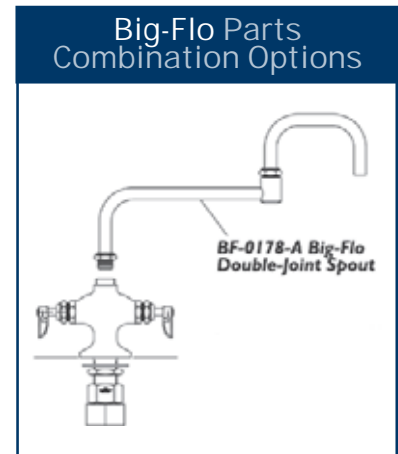
### Big-Flo Accessories



### Straight Swivel Extensions with Gaskets



### Big-Flo Parts Combination Options



## Big-Flo Faucets for Pot Sinks and Kettles / Vandal-Resistant Big-Flo Faucets

Note: Aerators are not available on Big-Flo series faucets

### B-0290-PRISON Big-Flo Faucet



- Wall mounted Big-Flo faucet
- 8" (203 mm) centers
- 3/4" NPT model LL street EL inlets with locknuts
- 12" (305 mm) Big-Flo swing nozzle (114X)
- Vandal resistant lever handles
- 1-1/4" (32 mm) diameter holes required in backsplash



Note: This model includes LL street ELs. If not required, specify inlets of faucet 3/4" NPT female flange

### B-0293 Big-Flo Faucet

- 8" centers
- Deck mounted
- 3/4" NPT model 00YY female inlets
- 12" (305 mm) Big-Flo swing nozzle (114X)
- 175F four-arm handles
- 7" (178 mm) deck to outlet of nozzle
- 1-1/4" (32 mm) diameter holes required in deck
- 7" (178 mm) from deck to outlet of nozzle



**B-0293-01** Same as B-0293 except with two B-0427 3/4" NPT male supply nipples

**B-0293-14** Same as B-0293 except with 14" (356 mm) Big-Flo swing nozzle and 3/4" NPT male supply nipple inlets

**B-0294** Same as B-0293 except with 18" (457 mm) swing nozzle (115X); 8-7/8" (225 mm) deck to outlet of nozzle

**B-0295** Same as B-0293 except with 24" (610 mm) double joint swing nozzle (116X); 9-1/8" (232 mm) from deck to outlet of nozzle

### B-0296-PRISON Big-Flo Faucet

- Deck mounted Big-Flo faucet
- Single temperature control valve
- 1/2" NPT female inlet
- Includes B-0425 supply nipple
- 12" (305 mm) swing nozzle (114X)
- Vandal-resistant lever handles
- 9-3/4" (284 mm) from deck to outlet of nozzle



### B-0296 Big-Flo Faucet

- Deck mounted
- Single temperature control valve
- 1/2" NPT female inlet
- Includes B-0425 supply nipple
- 12" (305 mm) Big-Flo swing nozzle (114X)
- 175F four-arm handles
- 9-3/4" (284 mm) from deck to outlet of nozzle



**B-0296-LN** Same as B-0296 except less 114X nozzle

**B-0297** Same as B-0296 except with 18" (457 mm) swing nozzle (115X); 12" from deck to outlet of nozzle

**B-0298** Same as B-0296 except with 24" (610 mm) double joint swing nozzle (116X)

### Big-Flo Flow Rates

B-0296, B-0297, B-0298

| Inlet Pressure When Water Is Flowing | Valve Open |
|--------------------------------------|------------|
| 20 PSI                               | 5.1 GPM    |
| 30 PSI                               | 6.3 GPM    |
| 40 PSI                               | 7.3 GPM    |
| 50 PSI                               | 8.1 GPM    |
| 60 PSI                               | 8.7 GPM    |

### B-0296-BKT Big-Flo Faucet

- Deck mounted Big-Flo faucet
- Single temperature control valve with 1/2" NPT supply inlet
- Four-arm handle (175F) with blue index
- 12" (305 mm) Big-Flo swing nozzle (114X)
- Stainless steel mounting bracket



### BF-0176 Big-Flo Faucet

- Deck mounted Big-Flo faucet
- Single temperature control base faucet (B-0296)
- 12" (305 mm) swing nozzle (114X)
- Add-on faucet (B-0286)
- B-0060-H stainless steel hose with angled spray valve and finger hook



## Big-Flo Double Joint Nozzles and Spouts

### BF-0178-A Big-Flo Double Joint Nozzle

- For use on all Big-Flo faucets
- Includes both front (BF-0153-X) and back (BF-0046-X) sections
- Overall length 18-1/2" (470 mm)



**BF-0153-X** Double joint nozzle front section only 6-1/2" (165 mm)  
**116X** 24" (610 mm) Big-Flo double joint swing nozzle

### BF-0135-X Big-Flo Swivel Gooseneck

- Plain end outlet
- 6-1/16" spread
- 8" (228 mm) clearance
- Overall height 12-3/4" (324 mm)



**BF-0136-X** Same as BF-0135-X except has 12-1/4" (311 mm) clearance and 17" (432 mm) overall height

### 114X Big-Flo Swing Nozzle

- 12" (305 mm) spout
- Plain end outlet
- 6" (152 mm) clearance



**BF-0062-X** 12" (305 mm) swing nozzle with 3-7/8" clearance  
**115X** 18" (457 mm) Big-Flo swing nozzle with 7-3/16" clearance

## Repair Kits for Big-Flo Faucets and Glass Fillers

### B-0290-K Repair Kit for Big-Flo Faucets

Parts for the B-0290-K Big-Flo repair kit include:

- 2 diverter stems (001075-45)
- 2 B-1100 bonnet washers (009752-45)
- 2 seat washer screws (000933-45)
- 2 B-0230 washer (000976-45)
- 2 B-1100 bonnet washer (002726-45)
- 2 B-0230 bonnet washer (009635-45)
- 2 'O'-Rings (002721-45)
- 2 seat washers (009840-45)
- 2 B-0290 removable seats (000764-20)

### B-1255 Repair Kit for Old Design Glass Filler

Parts for the old design Glass Fillers include:

- 2 'O'-Rings (001062-45)
- 2 seat washers (009650-45)
- 2 springs (000894-45)
- 1 handle screw (003199-45)
- 2 stem packings (001100-45)
- 1 handle nut (003198-45)
- 1 lever arm (001145-45)
- 2 bonnet washers (000974-45)
- 1 blue lexan outlet top (003090-45)
- 1 Silicon grease tube (012665-45)



### B-1256 Repair Kit for Glass Filler

Parts for the new design Glass Filler repair kit include:

- 1 Adjustable outlet with hex key (015588-40)
- 1 Valve assembly with valve spring (015589-40)
- 1 Lever arm repair kit with screw and nut (015550-45)



## Stainless Steel Replacement Hoses

Three-year warranty on all -H hoses.

### B-0044-H Flexible Stainless Steel Hose

- Flexible stainless steel hose dim. B = 44" (1118 mm)
- Inner rubber tubing
- Supplied on most pre-rinse units with spring action gooseneck
- 9/16" ID



### Adapter Chart

When specified, these adapters will be provided in place of the 1/2" NPT male adapter normally furnished.

|             |                         |
|-------------|-------------------------|
| <b>052A</b> | 1/4" NPT female         |
| <b>053A</b> | 3/8" NPT male (Chicago) |
| <b>054A</b> | 3/8" NPT female         |
| <b>055A</b> | 1/2" NPT male           |
| <b>056A</b> | 1/2" NPT female         |
| <b>057A</b> | 3/4" NPT male           |
| <b>058A</b> | 3/4" NPT female         |
| <b>059A</b> | Garden Hose female      |
| <b>172A</b> | 1/4" NPT male (Fisher)  |
| <b>098A</b> | Connect two hoses       |

### Notes

---

---

---

---

---

---

---

---

---

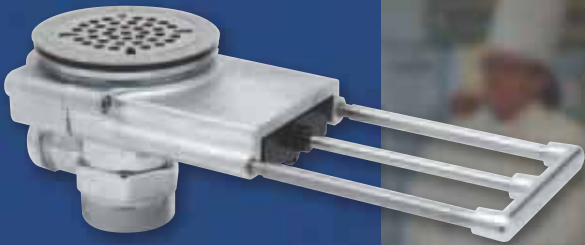
---

### Flexible Stainless Steel and Vinyl Hoses

- B-0015-H** 14-3/4" flexible stainless steel hose
- B-0020-H** 20" flexible stainless steel hose
- B-0020-H2A** 20" flexible stainless steel hose, less handle
- B-0020-HM** 20" flexible stainless steel hose Master Box (10)
- B-0023-H** 23" flexible stainless steel hose
- B-0024-H** 24" flexible stainless steel hose
- B-0026-H** 26" flexible stainless steel hose
- B-0026-H2A** 26" flexible stainless steel hose, less handle
- B-0026-HM** 26" flexible stainless steel hose Master Box (10)
- B-0028-H** 28" flexible stainless steel hose
- B-0028-H2A** 28" flexible stainless steel hose, less handle
- B-0032-H** 32" flexible stainless steel hose
- B-0036-H** 36" flexible stainless steel hose
- B-0040-H2A** 40" flexible stainless steel hose, less handle
- B-0044-H** 44" flexible stainless steel hose
- B-0044-H2A** 44" flexible stainless steel hose, less handle
- B-0044-H2AML** 44" flexible stainless steel hose Master Box (25), less handle
- B-0044-H2AMS** 44" flexible stainless steel hose Master Box (10), less handle
- B-0044-HF** 44" flexible stainless steel hose with Fisher adapter
- B-0044-HML** 44" flexible stainless steel hose Master Box (25)
- B-0044-HMS** 44" flexible stainless steel hose Master Box (10)
- B-0044-V9** 44" flexible stainless steel hose with vacuum breaker
- B-0048-H** 48" flexible stainless steel hose
- B-0050-H** 50" flexible stainless steel hose
- B-0054-H** 54" flexible stainless steel hose
- B-0054-H2A** 54" flexible stainless steel hose, less handle
- B-0054-V** 54" vinyl hose
- B-0056-H** 56" flexible stainless steel hose
- B-0056-HMS** 56" flexible stainless steel hose Master Box (10)
- B-0056-H2A** 56" flexible stainless steel hose, less handle
- B-0060-H** 60" flexible stainless steel hose
- B-0068-H** 68" flexible stainless steel hose
- B-0068-H2A** 68" flexible stainless steel hose, less handle
- B-0068-HML** 68" flexible stainless steel hose Master Box (25)
- B-0068-HMS** 68" flexible stainless steel hose Master Box (10)
- B-0072-H** 72" flexible stainless steel hose
- B-0080-H** 80" flexible stainless steel hose
- B-0096-H** 96" flexible stainless steel hose
- B-0104-H** 104" flexible stainless steel hose
- B-0144-H** 144" flexible stainless steel hose

**Note:** On all hoses above the handle equals 8" of total length

# C Faucets and Components



RELIABILITY BUILT IN™





## Product Adaptability

T&S Brass offers unparalleled product adaptability. Our extensive product lines include base faucets, nozzles, aerators, goosenecks, spouts, handles and inlet options, and many combinations of T&S components are available. For further information, see our base faucet and nozzle combinations charts starting on page C16.

### Nozzles, Goosenecks and Spouts



### Handles



### Inlets



### Aerators



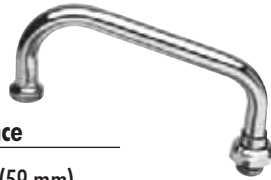
T&S Swivel or Rigid Faucets can combine with a wide variety of Goosenecks, Nozzles, Spouts, Handles and Inlets

Nozzles, Goosenecks and Spouts

Swing Nozzles



- Nozzle tip has male threads with a stream regulator



| Model No. | Standard Sizes Length | Clearance         |
|-----------|-----------------------|-------------------|
| 059X      | 6" (152 mm)           | 2-5/16" (59 mm)   |
| 060X      | 8" (203 mm)           | 2-15/16" (74 mm)  |
| 061X      | 10" (254 mm)          | 3-5/8" (92 mm)    |
| 062X      | 12" (305 mm)          | 4-3/8" (111 mm)   |
| 063X      | 14" (356 mm)          | 5" (127 mm)       |
| 064X      | 16" (406 mm)          | 5-13/16" (147 mm) |
| 065X      | 18" (457 mm)          | 6-3/8" (162 mm)   |

|                       |                        |
|-----------------------|------------------------|
| 059XM Master Box (12) | 064XM Master Box (12)  |
| 060XM Master Box (12) | 065XM Master Box (12)  |
| 061XM Master Box (12) | 060XP Plain end outlet |
| 062XM Master Box (12) | 062XP Plain end outlet |
| 063XM Master Box (12) |                        |

Note: Use Series 1 outlets on these swing nozzles

Swivel Gooseneck



- Nozzle tip has male threads with a stream regulator



| Model No. | Standard Sizes Spread | Height             | Clearance        |
|-----------|-----------------------|--------------------|------------------|
| 131X      | 2-13/16" (71 mm)      | 4-3/4" (120 mm)    | 2-9/16" (65 mm)  |
| 132X      | 2-5/8" (67 mm)        | 9-1/16" (230 mm)   | 5-9/16" (142 mm) |
| 133X      | 5-11/16" (145 mm)     | 10-3/8" (264 mm)   | 6-3/8" (162 mm)  |
| 134X      | 7-3/4" (192 mm)       | 11-7/16" (290 mm)  | 5-1/2" (139 mm)  |
| 135X      | 8-3/4" (223 mm)       | 12-1/16" (306 mm)  | 5-9/16" (141 mm) |
| 136X      | 12-1/4" (310 mm)      | 14-11/16" (373 mm) | 5-3/8" (137 mm)  |

Swivel Gooseneck/Stream Regulator:

- 131X-ADA ADA gooseneck
- 131XM Master Box (6)
- 132XM Master Box (6)
- 133XM Master Box (6)
- 135XM Master Box (6)

Swivel Gooseneck/Plain End Spout:

- 132XP Same as 132X except with plain end
- 133XP Same as 133X except with plain end
- 134XP Same as 134X except with plain end

Note: Use Series 2 outlets on these goosenecks except for 131X and 133X, which use Series 1 outlets

Double-Joint Nozzles



- Nozzle tip has male threads with a stream regulator



| Model No. | Standard Sizes Back | Front        | Total        |
|-----------|---------------------|--------------|--------------|
| 066X      | 6" (152 mm)         | 6" (152 mm)  | 12" (305 mm) |
| 067X      | 9" (229 mm)         | 6" (152 mm)  | 15" (381 mm) |
| 068X      | 12" (305 mm)        | 6" (152 mm)  | 18" (457 mm) |
| 069X      | 12" (305 mm)        | 12" (305 mm) | 24" (610 mm) |

Double-Joint Nozzle Sections

- 151X 6" (152 mm) back section
- 152X 9" (229 mm) back section
- 153X 6" (152 mm) front section

Note: Use Series 1 outlets on these nozzles

Rigid Gooseneck



- Nozzle tip has 3/8" NPSM outlet with a stream regulator



| Model No. | Standard Sizes Spread | Height           | Clearance         |
|-----------|-----------------------|------------------|-------------------|
| 119X      | 2-3/4" (70 mm)        | 8-3/4" (222 mm)  | 5-1/4" (133 mm)   |
| 120X      | 5-1/2" (140 mm)       | 10-1/4" (261 mm) | 5-5/16" (135 mm)  |
| 122X      | 5-1/2" (140 mm)       | 11-1/2" (292 mm) | 6-7/16" (164 mm)  |
| 123X      | 5-1/2" (140 mm)       | 12-1/2" (318 mm) | 7-1/2" (190 mm)   |
| 124X      | 5-1/2" (140 mm)       | 13-1/2" (343 mm) | 8-9/16" (217 mm)  |
| 125X      | 5-1/2" (140 mm)       | 14-1/2" (368 mm) | 9-9/16" (243 mm)  |
| 126X      | 5-1/2" (140 mm)       | 15-1/2" (394 mm) | 10-1/2" (267 mm)  |
| 127X      | 7-5/8" (194 mm)       | 10-1/2" (267 mm) | 4-1/2" (114 mm)   |
| 128X      | 7-5/8" (194 mm)       | 13-1/2" (343 mm) | 7-9/16" (192 mm)  |
| 129X      | 8-5/8" (219 mm)       | 11-3/4" (298 mm) | 5-1/2" (140 mm)   |
| 130X      | 12-3/16" (310 mm)     | 13-3/8" (340 mm) | 4-9/16" (116 mm)  |
| 165X      | 4-1/16" (103 mm)      | 8-1/4" (210 mm)  | 4-13/16" (122 mm) |

Rigid Gooseneck/Stream Regulator:

- 120XM Master Box (6)

Rigid Gooseneck/Plain End Spout:

- 120XP Same as 120X except with plain end
- 122XP Same as 122X except with plain end
- 129XP Same as 129X except with plain end

Note: Use Series 2 outlets on these goosenecks

## Nozzles, Goosenecks and Spouts

### Soap Dish Nozzle



- Nozzle has 3/8" NPSM female outlet with stream regulator
- A swing nozzle with soap dish can be supplied on T&S faucets instead of the standard nozzle



#### Model

| No.  | Length       |
|------|--------------|
| 160X | 6" (152 mm)  |
| 161X | 8" (203 mm)  |
| 162X | 12" (305 mm) |
| 163X | 18" (457 mm) |

Note: Use Series 2 outlets on these nozzles

### Rigid Vacuum Breaker Gooseneck



- Rigid polished chrome plated gooseneck with vacuum breaker
- 3/8" NPT male inlet
- Nozzle has 3/8" NPSM female outlet with stream regulator



#### Model

| No.       | Spread           | Height          | Clearance       |
|-----------|------------------|-----------------|-----------------|
| B-0405-02 | 5-5/8" (142 mm)  | 8-7/8" (226 mm) | 4-1/2" (114 mm) |
| B-0405-03 | 8-9/16" (218 mm) | 8-7/8" (226 mm) | 4-1/2" (114 mm) |
| B-0405-04 | 11-5/8" (295 mm) | 8-7/8" (226 mm) | 4-1/2" (114 mm) |

Note: Use Series 2 outlets on these goosenecks

### Vacuum Breaker Swing Nozzle with Stream Regulator



- Nozzle has 3/8" NPSM female outlet with stream regulator
- Vacuum breaker swing nozzles can be supplied on T&S faucets instead of nozzles ordinarily furnished to meet local code requirements



#### Model

| No.       | Spread           | Height           |
|-----------|------------------|------------------|
| B-0408-02 | 5-5/8" (143 mm)  | 3-11/16" (94 mm) |
| B-0408-03 | 8-5/8" (219 mm)  | 3-11/16" (94 mm) |
| B-0408-04 | 11-5/8" (295 mm) | 3-11/16" (94 mm) |

Note: Use Series 2 outlets on these nozzles

### OCS6 Swivel Cast Spout



- Polished chromium plated cast nozzle with aerator outlet



#### Model

| No.  | Length      | Height           | Clearance        |
|------|-------------|------------------|------------------|
| OCS6 | 6" (152 mm) | 2-3/8" (60 mm)   | 15/16" (24 mm)   |
| OCS8 | 8" (203 mm) | 5-3/16" (132 mm) | 3-13/16" (96 mm) |

OCS6-LT 6" (152 mm) with B-LT stream regulator

OCS8-LT 8" (229 mm) with B-LT stream regulator

Note: Use Series 2 outlets on these spouts

### Swivel Vacuum Breaker Gooseneck



- 3/8" NPT male inlet
- Nozzle has 3/8" NPSM female outlet with stream regulator
- B-0406-02, -03, -04  
Rigid polished chrome plated gooseneck with swivel vacuum breaker – swivels at vacuum breaker
- B-0407-02, -03, -04  
Swivel polished chrome plated gooseneck with vacuum breaker – swivels at base



#### Model

| No.       | Spread           | Height            | Clearance         |
|-----------|------------------|-------------------|-------------------|
| B-0406-02 | 5-5/8" (143 mm)  | 9" (229 mm)       | 4-11/16" (119 mm) |
| B-0406-03 | 8-5/8" (219 mm)  | 9" (229 mm)       | 4-11/16" (119 mm) |
| B-0406-04 | 11-5/8" (295 mm) | 9" (229 mm)       | 4-11/16" (119 mm) |
| B-0407-02 | 5-5/8" (143 mm)  | 8-11/16" (221 mm) | 4-3/8" (111 mm)   |
| B-0407-03 | 8-5/8" (219 mm)  | 8-11/16" (221 mm) | 4-3/8" (111 mm)   |
| B-0407-04 | 11-5/8" (295 mm) | 8-11/16" (221 mm) | 4-3/8" (111 mm)   |

Note: Use Series 2 outlets on these goosenecks

### Vacuum Breaker Swing Nozzle with Garden Hose Thread



- Nozzle has 3/4" garden hose thread outlet
- Vacuum breaker swing nozzles can be supplied on T&S faucets instead of nozzles ordinarily furnished to meet local code requirements



#### Model

| No.       | Spread           | Height           |
|-----------|------------------|------------------|
| B-0409-02 | 5-5/8" (143 mm)  | 3-11/16" (94 mm) |
| B-0409-03 | 8-5/8" (219 mm)  | 3-11/16" (94 mm) |
| B-0409-04 | 11-5/8" (295 mm) | 3-11/16" (94 mm) |

Note: Use Series 2 outlets on these nozzles

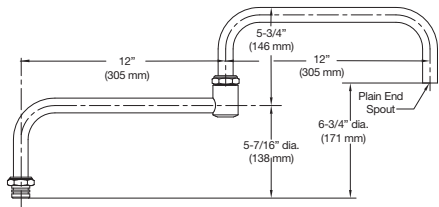
Big-Flo Nozzles

NEW MODELS!

Big-Flo Double Joint Nozzle

- Double-joint nozzle for Big-Flo faucets with 3/4" inlets

**116X** 24" (610 mm) double-joint swing nozzle  
**117X** 12" (305 mm) front section of double-joint swing nozzle



Big-Flo Swing Nozzles

- For use with Big-Flo faucets with 3/4" inlets



| Model No.   | Standard Length | Standard Clearance | Standard Height  |
|-------------|-----------------|--------------------|------------------|
| <b>114X</b> | 12" (305 mm)    | 5-3/16" (132 mm)   | 8-5/8" (219 mm)  |
| <b>115X</b> | 18" (457 mm)    | 7-3/16" (183 mm)   | 10-5/8" (270 mm) |

Note: No special outlets are available for these spouts

Special Custom Goosenecks and Nozzles

002848-40 Range Faucet Nozzle

- 18" (457 mm) length, 12" (305 mm) front, 6" (152 mm) back



B-2387 Swivel Gooseneck

- For use with swivel type base faucets
- Chrome plated
- 8-1/2" (216 mm) spread swivel gooseneck
- 10-1/8" (257 mm) total height
- Non-splash aerator (B-0199-01)
- Other dimensions available upon request



C  
6

Conversion Adapters

B-0412 Adapter

- Rigid to swivel adapter
- Use for field conversion where a faucet with 3/8" NPT outlet is installed and a swivel gooseneck or nozzle is required
- Use two (2) 7X washers (000986-45) to make gooseneck or nozzle rigid



**B-0412-M** Master Box (2)

B-0413 Adapter

- Swivel to rigid adapter
- Used for field conversion where a faucet with swivel outlet is installed and a rigid pipe gooseneck is required



**B-0413-M** Master Box (2)  
**B-0413-M50** Master Box (50)

B-0414 Adapter

- Gooseneck coupling
- Adapts a 3/8" IPS pipe gooseneck to faucets with 3/8" IPS outlet providing either a swivel or union connection



**B-0414-M** Master Box (2)

EZ-SWIVEL-CZ Swivel Adapter

- Swivel adapter for Chicago and Zurn faucets

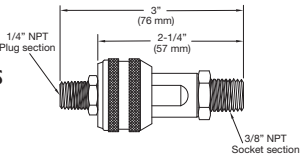
EZ-SWIVEL-FM Swivel Adapter

- Swivel adapter for Fisher faucets

Quick-Connect Coupling Set

B-0452 Quick-Connect Coupling Set

- Chrome plated brass
- For use with water, air and non-corrosive gases
- When 1/4" NPT plug is removed from quick-connect socket, flow is automatically shut off



B-0412-FXX Low Flow Adapter

New Water-Saving Adapter

- Rigid to swivel adapter with flow control tower
- Refer to Flow Tower Chart to specify flow desired and add numbers to model suffix
- 1"-20 UN male thread x 3/8"-18 NPT male thread
- For use on lavatory faucets to conserve water



| Model No.         | Flow (GPM) |
|-------------------|------------|
| <b>B-0412-F03</b> | 0.25       |
| <b>B-0412-F05</b> | 0.40       |
| <b>B-0412-F07</b> | 0.70       |
| <b>B-0412-F10</b> | 0.90       |
| <b>B-0412-F12</b> | 1.20       |
| <b>B-0412-F15</b> | 1.40       |
| <b>B-0412-F16</b> | 1.60       |
| <b>B-0412-F20</b> | 2.00       |

## Handles

Antimicrobial Handles Available

### 001144-45 Alpine Handle

- Clear lexan handle
- Fits most T&S faucets
- Order chrome plated index buttons separately

**001327-40** Cold  
**001328-40** Hot  
**001326-40** Blank



### 001784-40 Dome Handle

- Polished chrome zinc metal handle
- Conceals stem and bonnet
- Screw and index blue (cold) sold separately



**001783-40** Dome handle, with red (hot) index sold separately

### B-WH4 Wrist Action Handle

- Chrome plated forged brass handle, 4" (102 mm) long
- Fits all T&S faucets
- Cold index: 001686-45
- Hot index: 001194-45
- Screw only: 000925-45
- Available with anti-microbial coating



**B-WH4H** Includes 4" handle, hot index button and screw  
**B-WH4C** Includes 4" handle, cold index button and screw  
**B-WH6** Same as B-WH4 except 6" (152 mm) long  
**B-WH6H** Includes 6" handle, hot index button and screw  
**B-WH6C** Includes 6" handle, cold index button and screw

### Push Button Handle

- Chrome plated handle for metering faucets
- Available with anti-microbial coating



**014194-40** Hot, with vandal resistant screw and spanner bit  
**014195-40** Cold, with vandal resistant screw and spanner bit  
**014193-40** Blank, with vandal resistant screw and spanner bit

## Soap Dishes

### B-SD Soap Dish

- Chrome plated
- Must be used with soap dish nozzle or B-SDA soap dish assembly



### 001636-45 Lever Handle

- Chrome plated zinc handle
- Blue index button and screw (cold)
- Available with antimicrobial coating



**001637-45** Lever handle with red index (hot) and screw  
**001638-45** Lever handle with no index  
**010027-40** Chrome plated solid brass handle

### 002521-45 Four Arm Handle

- Chrome plated zinc handle
- Order handle screw separately (000922-45)
- Available with antimicrobial coating
- Order index for hot or cold separately:



**001660-45** Cold handle index (blue)  
**001661-45** Hot handle index (red)

### Club Handle

- Chrome plated decorative handle

**009332-41** Hot side  
**009331-41** Cold side



### Pivot Action Metering Handle

- Chrome plated handle for pivot action metering faucets
- Available with antimicrobial coating



**PA-H** Hot, with retaining nut and spanner bit  
**PA-C** Cold, with retaining nut and spanner bit  
**PA-B** Blank, with retaining nut and spanner bit

### B-SDA Soap Dish Assembly

- Chrome plated
- Clamps onto 3/8" NPT goosenecks or risers







## Aerators

**NEW**  
Water-Saving  
Models!

**NEW!**

Check out our new water-saving aerators and outlets!

### Standard Aerators

|  | Series 1  | Series 2   | Series 3   | Series 4   | Series 5  |
|--|---|--|--|--|---|
| <b>Aerator</b><br><ul style="list-style-type: none"> <li>Non-splash aerator</li> </ul>    | <ul style="list-style-type: none"> <li>5/64"-27 UN female aerator threads</li> <li>Fits all swing nozzles and 131X, 133X gooseneck</li> <li>-WS models are water-saving aerators</li> </ul> | <ul style="list-style-type: none"> <li>3/8" NPSM male thread</li> <li>Fits goosenecks</li> <li>-WS models are water-saving aerators</li> </ul> | <ul style="list-style-type: none"> <li>13/16"-27 UN male aerator thread</li> <li>Fits lavatory spouts</li> <li>-WS models are water-saving aerators</li> </ul> | <ul style="list-style-type: none"> <li>15/16"-27 UN male thread</li> <li>Fits single lever line</li> <li>-WS models are water-saving aerators</li> </ul> | <ul style="list-style-type: none"> <li>13/16"-24 UN female thread</li> <li>Fits other manufacturer's faucets</li> <li>Includes adapter and washer with aerator</li> </ul> |
| <b>Vandal-Resistant Aerator</b><br><ul style="list-style-type: none"> <li>Vandal-resistant, non-splash aerator</li> <li>Use tool to attach and remove aerator</li> </ul>  | <b>B-0199-06</b><br>(2.2 GPM)   | <b>B-0199-07</b><br>(2.2 GPM)  | <b>B-0199-08</b><br>(2.2 GPM)  | <b>B-0199-09</b><br>(2.2 GPM)  |   |

### Water-Conserving Aerators

|  |                                  |                                  |                                  |                                  |                                  |
|--|----------------------------------|----------------------------------|----------------------------------|----------------------------------|----------------------------------|
| <b>Aerator with Flow Control</b><br><ul style="list-style-type: none"> <li>Non-splash aerator with flow control</li> </ul>   | <b>B-0199-01F-XX</b>             | <b>B-0199-02F-XX</b>             | <b>B-0199-03F-XX</b>             |                                  |                                  |
| <b>Refer to Aerator Flow Chart to add Suffix Numbers</b>   |                                  |                                  |                                  |                                  |                                  |
| <b>Vandal-Resistant Aerator with Flow Control</b><br><ul style="list-style-type: none"> <li>Non-splash, vandal-resistant aerator with flow control</li> <li>Tool to attach and remove aerator</li> </ul>  | <b>B-0199-06F-XX</b>             | <b>B-0199-07F-XX</b>             | <b>B-0199-08F-XX</b>             |                                  |                                  |
| <b>Refer to Aerator Flow Chart to add Suffix Numbers</b>   |                                  |                                  |                                  |                                  |                                  |
| <b>NEW! Non-Splash Aerator 1.5 GPM</b><br><ul style="list-style-type: none"> <li>Non-splash aerator with flow control</li> </ul>    | <b>B-0199-01-WS</b><br>(1.5 GPM) | <b>B-0199-02-WS</b><br>(1.5 GPM) | <b>B-0199-03-WS</b><br>(1.5 GPM) | <b>B-0199-04-WS</b><br>(1.5 GPM) | <b>B-0199-05-WS</b><br>(1.5 GPM) |
| <b>NEW! Vandal-Resistant Aerator 1.5 GPM</b><br><ul style="list-style-type: none"> <li>Non-splash, vandal-resistant aerator with flow control</li> <li>Tool to attach and remove aerator</li> </ul>       | <b>B-0199-06-WS</b><br>(1.5 GPM) | <b>B-0199-07-WS</b><br>(1.5 GPM) | <b>B-0199-08-WS</b><br>(1.5 GPM) | <b>B-0199-09-WS</b><br>(1.5 GPM) | <b>B-0199-10-WS</b><br>(1.5 GPM) |

Aerator Flow Chart

| Flow (GPM) | Suffix | Color Code | Flow (GPM) | Suffix | Color Code |
|------------|--------|------------|------------|--------|------------|
| 0.25       | F03    | No color   | 1.20       | F12    | Orange     |
| 0.40       | F05    | Brown      | 1.40       | F15    | Purple     |
| 0.70       | F07    | Green      | 2.00       | F20    | Yellow     |
| 0.90       | F10    | Grey       |            |        |            |

GPM ± 10%

**To order:**

Select flow desired, then add suffix to model number.

For ex., B-0199-02**F15** for 1.40 GPM

**Note:**

Painted mark on each flow control within the assembly indicates flow of unit.

## Laminar Flow Outlets



**NEW!**

Check out our new non-splash, non-aerated laminar flow devices!

|   |  | Series 1  | Series 3   | Series 4   |
|---|--|---|--|--|
| <p><b>Laminar Flow Regulator</b></p> <ul style="list-style-type: none"> <li>• Non-splash, non-aerated stream</li> <li>• Screenless; for use in medical facilities to prevent airborne bacteria from entering water stream</li> </ul>                    |  | <ul style="list-style-type: none"> <li>• 55/64"-27 UN female aerator threads</li> <li>• Fits all swing nozzles, 131X, 133X gooseneck</li> </ul>                       | <ul style="list-style-type: none"> <li>• 13/16"-27 UN male aerator thread</li> <li>• Fits lavatory spouts</li> </ul> | <ul style="list-style-type: none"> <li>• 15/16"-27 UN male thread</li> <li>• Fits single lever line</li> </ul> |
| <p><b>NEW! Vandal-Resistant Laminar Flow</b></p> <ul style="list-style-type: none"> <li>• Same as B-0199-21 except is vandal-resistant with key</li> <li>• -VR - female thread</li> <li>• -VRF - female thread</li> <li>• -VRM - male thread</li> </ul> |  | <ul style="list-style-type: none"> <li>• <b>B-0199-29-VR</b> (1.5 GPM)</li> <li>• <b>B-0199-21-VRF</b> (2.2 GPM)</li> <li>• <b>B-0199-21-VRM</b> (2.2 GPM)</li> </ul> | <ul style="list-style-type: none"> <li>• <b>B-0199-28</b> (2.2 GPM)</li> </ul>                                       | <ul style="list-style-type: none"> <li>• <b>B-0199-27</b> (2.2 GPM)</li> </ul>                                 |

## NEW! Non-Aerated Spray Devices



NEW! Water-saving 0.35 GPM and 0.5 GPM flow rate

|   | Series 1   | Series 2   | Series 3   | Series 4   | Series 5   |
|---|--|--|--|--|--|
| <p><b>NEW!</b></p> <p>Check out our new water-saving non-aerated spray devices with 0.35 and 0.5 GPM!</p>   | <ul style="list-style-type: none"> <li>• 55/64"-27 UN female thread</li> <li>• Fits all swing nozzles, 131X, 133X gooseneck</li> </ul> | <ul style="list-style-type: none"> <li>• 3/8" NPSM male thread</li> <li>• Fits goosenecks</li> </ul>                           | <ul style="list-style-type: none"> <li>• 13/16"-27 UN male thread</li> <li>• Fits lavatory spouts</li> </ul>                   | <ul style="list-style-type: none"> <li>• 15/16"-27 UN male thread</li> <li>• Fits single lever line</li> </ul>                 | <ul style="list-style-type: none"> <li>• 13/16"-24 UN female thread</li> <li>• Fits other manufacturer's faucets</li> </ul>    |
| <p><b>Non-Aerated Spray Device</b></p> <ul style="list-style-type: none"> <li>• Non-splash non-aerated spray device</li> </ul>  | <ul style="list-style-type: none"> <li>• <b>B-0199-01-N035</b> (0.35 GPM)</li> <li>• <b>B-0199-01-N05</b> (0.5 GPM)</li> </ul>         | <ul style="list-style-type: none"> <li>• <b>B-0199-02-N035</b> (0.35 GPM)</li> <li>• <b>B-0199-02-N05</b> (0.5 GPM)</li> </ul> | <ul style="list-style-type: none"> <li>• <b>B-0199-03-N035</b> (0.35 GPM)</li> <li>• <b>B-0199-03-N05</b> (0.5 GPM)</li> </ul> | <ul style="list-style-type: none"> <li>• <b>B-0199-04-N035</b> (0.35 GPM)</li> <li>• <b>B-0199-04-N05</b> (0.5 GPM)</li> </ul> | <ul style="list-style-type: none"> <li>• <b>B-0199-05-N035</b> (0.35 GPM)</li> <li>• <b>B-0199-05-N05</b> (0.5 GPM)</li> </ul> |
| <p><b>Vandal Resistant Non-Aerated Spray Device</b></p> <ul style="list-style-type: none"> <li>• Non-splash, vandal resistant non-aerated spray device</li> <li>• Tool to attach and remove outlet</li> </ul> | <ul style="list-style-type: none"> <li>• <b>B-0199-06-N035</b> (0.35 GPM)</li> <li>• <b>B-0199-06-N05</b> (0.5 GPM)</li> </ul>         | <ul style="list-style-type: none"> <li>• <b>B-0199-07-N035</b> (0.35 GPM)</li> <li>• <b>B-0199-07-N05</b> (0.5 GPM)</li> </ul> | <ul style="list-style-type: none"> <li>• <b>B-0199-08-N035</b> (0.35 GPM)</li> <li>• <b>B-0199-08-N05</b> (0.5 GPM)</li> </ul> | <ul style="list-style-type: none"> <li>• <b>B-0199-09-N035</b> (0.35 GPM)</li> <li>• <b>B-0199-09-N05</b> (0.5 GPM)</li> </ul> | <ul style="list-style-type: none"> <li>• <b>B-0199-10-N035</b> (0.35 GPM)</li> <li>• <b>B-0199-10-N05</b> (0.5 GPM)</li> </ul> |

## Outlets

### Series 1 Outlets

**SERIES 1**  
OUTLETS

- 55/64" -27 UN female aerator threads
- Fits all swing nozzles and 131X, 133X goosenecks

#### B-0103-01 Rosespray

- Female aerator thread
- Solid brass construction



#### B-GFE Garden Hose Outlet

- Female aerator thread
- Fits on end of nozzle or gooseneck to convert aerator male thread to male garden hose thread



#### B-PT Stream Regulator

- Female aerator thread
- Plain outlet with screen and washer



#### B-0199-22 Swivel Aerator

- 55/64" -27 UN female inlet
- Includes 15/16" -27 UN male adapter
- Swivel outlet
- 2.2 GPM
- Dual spray pattern: aerator or rosespray



#### B-0199-VR-KEY Pro Key

- Pro key for vandal-resistant aerators



**NEW**  
Vandal-Resistant Key!

C  
10

### Series 2 Outlets

**NEW**  
Water-Saving Models!

**SERIES 2**  
OUTLETS

- 3/8" NPSM male thread
- Fits goosenecks

#### B-0103 Rosespray

- Solid brass construction
- 4 GPM
- 3/8" NPSM male thread

**NEW** Water-saving models available:

**B-0103-Fxx models** with flow control assembly and 3/8" -18 NPT male thread – refer to Flow Tower Chart at right to specify flow desired and add numbers to model suffix



#### Flow Tower Chart

| Model No.  | Flow (GPM) |
|------------|------------|
| B-0103-F03 | 0.25       |
| B-0103-F05 | 0.40       |
| B-0103-F07 | 0.70       |
| B-0103-F10 | 0.90       |
| B-0103-F12 | 1.20       |
| B-0103-F15 | 1.40       |
| B-0103-F20 | 2.00       |

#### B-GH Garden Hose Outlet

- 3/8" NPSM male x garden hose male adapter



#### B-LT Stream Regulator

- 3/8" male thread
- Plain outlet



#### B-0198-FXX Series Serrated Hose End

- 3/8" NPT male inlet thread
- Serrated hose end accepts rubber or plastic tubing up to 1/2" I.D.
- Refer to Flow Tower Chart below to specify flow desired and add numbers to model suffix



#### Flow Tower Chart

| Model No.  | Flow (GPM) |
|------------|------------|
| B-0198-F03 | 0.25       |
| B-0198-F05 | 0.40       |
| B-0198-F07 | 0.70       |
| B-0198-F10 | 0.90       |
| B-0198-F12 | 1.20       |
| B-0198-F15 | 1.40       |
| B-0198-F20 | 2.00       |

**For Serrated Hose End**

**To order:**

Select flow desired, then add suffix to model number.

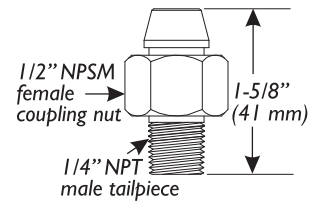
Ex.: B-0198-**F03** for 0.25 GPM

## Adapters and Supply Connectors

| Adapter Chart   |                                  |                         |  |
|-----------------|----------------------------------|-------------------------|--|
| Dimensions      |                                  | Model                   |  |
| 3/8 NPSM male   | x 3/4-11 1/2 G.H. male           | <b>B-GH</b>             |  |
| 1/2 NPT male    | x 3/8 NPT female (Face bushing)  | <b>002337-45</b>        |  |
| 1/2 NPT male    | x 3/8 NPT female (Hex bushing)   | <b>001359-40</b>        |  |
| 3/4-14 male     | x 1/4 NPT male (Fisher adapter)  | <b>002584-25 (172A)</b> |  |
| 3/4-14 male     | x 1/4 NPT female                 | <b>000544-25 (52A)</b>  |  |
| 3/4-14 male     | x 3/8 NPT male (Chicago adapter) | <b>000545-25 (53A)</b>  |  |
| 3/4-14 male     | x 3/8 NPT female (Hex stock)     | <b>000546-25 (54A)</b>  |  |
| 3/4 G.H. female | x 1/2 NPT male                   | <b>003105-40</b>        |  |
| 3/4-14 male     | x 5/8-27 female                  | <b>000552-25</b>        |  |
| 3/4-14 male     | x 3/4 NPT male                   | <b>000549-25 (57A)</b>  |  |
| 3/4-14 male     | x 3/4 NPT female                 | <b>000550-25 (58A)</b>  |  |
| 3/4-14 male     | x 3/4-14 male                    | <b>001806-25 (98A)</b>  |  |
| 55/64-27 male   | x 1/8 NPT female                 | <b>001624-25</b>        |  |
| 55/64-27 male   | x 5/8-27 female                  | <b>000554-25</b>        |  |
| 55/64-27 female | x 3/4-11 1/2 G.H. male           | <b>B-GFE</b>            |  |

### 150A Union Coupling Tailpiece

- 1/4" NPT tailpiece with nut fits 1/2" NPT and NPS faucet shanks with 30" tapered inlet



### 006895-20 Short Elbow

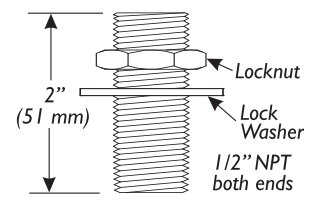
- 1/2" female connectors
- Used with 1/2" male threaded supplies to provide 90° turns at inlets



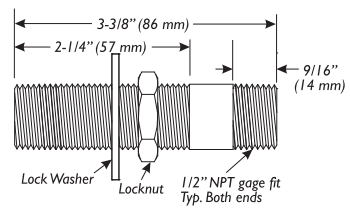
## Inlets and Supply Connections

### B-0425 Supply Nipple

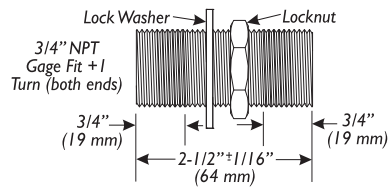
**B-0425-M** Master Box (2)



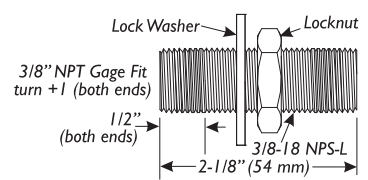
### B-0426 Supply Nipple



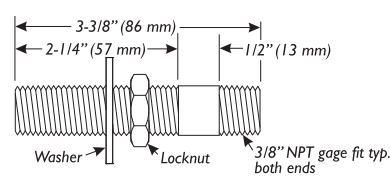
### B-0427 Supply Nipple



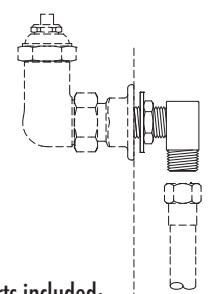
### B-0428 Supply Nipple



### B-0429 Supply Nipple

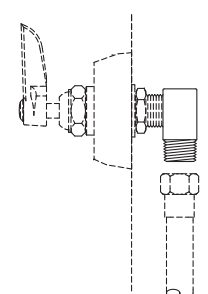


### B-0230-K Parts Kit



- Parts included:  
1/2" NPT Supply nipple, lock nut and washer  
1/2" NPT Male x Female short EL

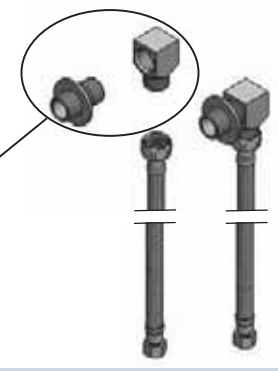
### B-1100-K Parts Kit



- Parts included:  
1/2" NPT Male x Female short EL

### B-0230-KIT Parts Kit

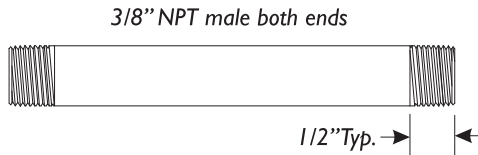
- Parts included:  
2 1/2" inlet shanks and close elbows –inlet assembly kit (2 sets per kit)  
1 24" flexible supply hose (two sets per kit)



| Supply Nipple      | Length         |  |
|--------------------|----------------|--|
| 3/8" <b>B-0428</b> | 2-1/8" (54 mm) | These red brass supply nipples have tapered pipe threads on each end and a running thread between. They are used on faucets with female inlets to make up tightly to vertical or horizontal surfaces. Washer and nut included. Available in chrome if specified. |
| 1/2" <b>B-0425</b> | 2" (51 mm)     |  |
| 3/4" <b>B-0426</b> | 3-3/8" (86 mm) |  |
| 1/2" <b>B-0429</b> | 3-3/8" (86 mm) |  |
| 3/4" <b>B-0427</b> | 2-1/2" (64 mm) |  |

## Risers and Connectors

### 3/8" Riser Lengths

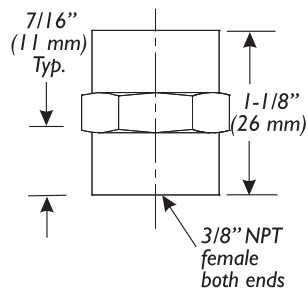


| Model No. | Length      | Model No.                            | Length       |
|-----------|-------------|--------------------------------------|--------------|
| 000357-40 | 2" (51 mm)  | 000369-40                            | 18" (457 mm) |
| 000358-40 | 3" (76 mm)  | 000372-40                            | 24" (610 mm) |
| 000361-40 | 5" (127 mm) | 000376-40                            | 32" (813 mm) |
| 000363-40 | 7" (178 mm) | Contact factory for sizes not shown. |              |

### Couplings

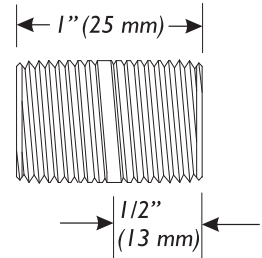
- Used to connect two (2) pipes
- Same thread size on both ends

| Dimension         | Model No. |
|-------------------|-----------|
| 3/8" NPT female   | 001769-40 |
| 3/4-14 NPT female | 001596-25 |



### Close Nipples

- Used to connect two (2) pipes
- Male x male
- Same thread size on both ends
- Close nipple will be completely concealed



| Dimension     | Model No. |
|---------------|-----------|
| 3/8" NPT male | 002535-25 |
| 1/2" NPT male | 002534-25 |

### B-CVV1-2 Check Valve

- Rough brass finish
- Chrome plated available upon request
- Designed for water use only



**B-CVH1-2** for horizontal or vertical use, 1/2" NPT female  
**B-CVH3-4** for horizontal or vertical use, 3/4" NPT female  
 Furnished in rough brass

C  
12

## EasyInstall Accessories

Need an additional water source from your T&S EasyInstall pre-rinse unit or mixing faucet? Finding it hard to install? The T&S solution – a B-TEE-RGD, designed for use with T&S pre-rinses, or a B-TEE-EZK, designed for use with T&S mixing faucets.

### Tee Application

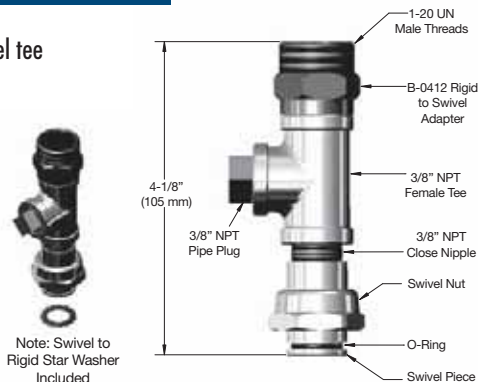
Tees on pre-rinse units and mixing faucets are used to supply water to accessory applications such as chemical injectors (for cleaning jobs, etc.) They are not intended to introduce chemicals into the T&S pre-rinse unit or mixing faucet. A backflow prevention device should be installed if it is not included with the accessory device.



**B-0230-TZ-CR-SC**  
(with B-TEE-EZK Swivel Tee Assembly)

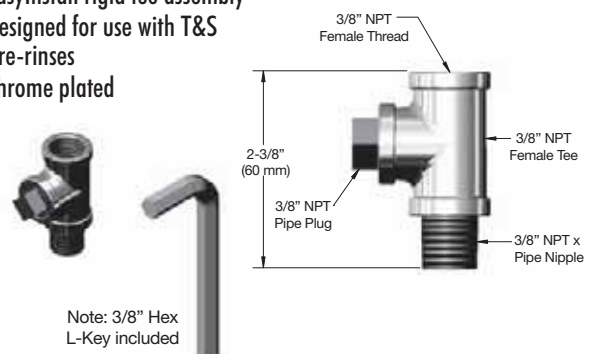
### B-TEE-EZK Swivel Tee Assembly

- EasyInstall swivel tee assembly
- Designed for use with T&S mixing faucets
- Chrome plated

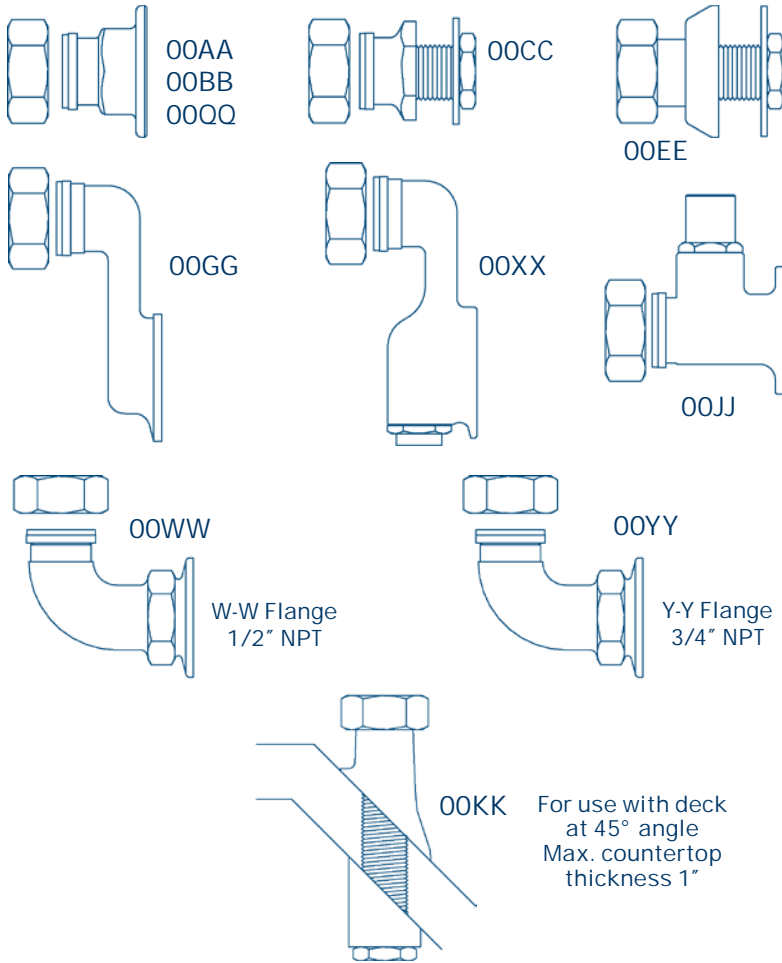


### B-TEE-RGD Rigid Tee Assembly

- EasyInstall rigid tee assembly
- Designed for use with T&S pre-rinses
- Chrome plated



Inlet Product Options



**Union Coupling Inlets**

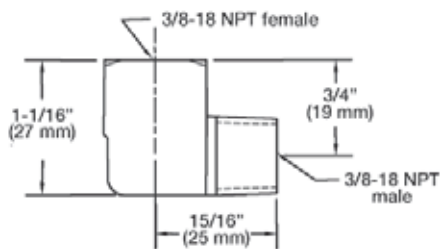
The following inlets are polished chrome plated and used on mixing faucets to meet varying conditions of installation. All are interchangeable and are used in lieu of the "00AA" inlets which are ordinarily furnished on faucets using union coupling inlets. All are available in rough chrome if specified. To order, add suffix letters to faucet model number.

For example: "B-0230-CC" – Sink mixing faucet with 1/2" NPT male inlet, 1" (25 mm) long.

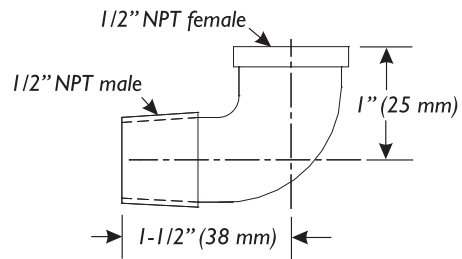
- 00AA** 1/2" NPT female eccentric flanged inlet
- 00BB** 3/4" NPT female eccentric flanged inlet
- 00CC** 1/2" NPT male inlet, 1" (25 mm) long
- 00EE** 1/2" NPT male inlet with adjustable flange, 1" (25 mm) long
- 00GG** 1/2" NPT female flanged adjustable inlet
- 00XX** 1/2" NPT female flanged adjustable inlet with screwdriver stop
- 00JJ** 1/2" NPT female inlet with loose key stop
- 00WW** 1/2" NPT female flange 90° inlet
- 00YY** 3/4" NPT female flange 90° inlet
- 00KK** 1/2" NPT male inlet for use on 45° decks. Inlet is at 45° angle to mounting face
- 00QQ** 3/8" NPT female eccentric flanged inlet

Elbows and Tees

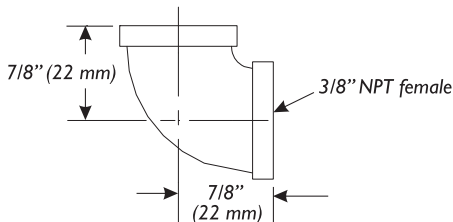
148X



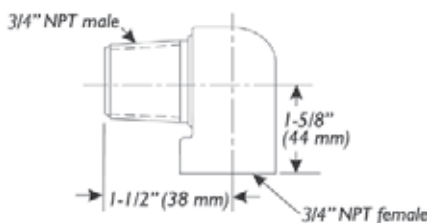
150X



001355-40



00LL

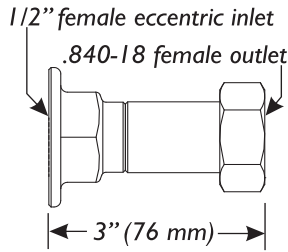


**Elbows**

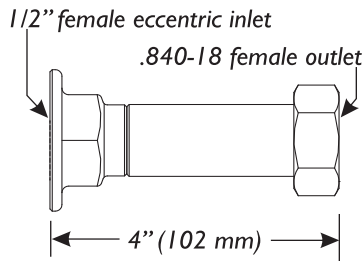
| Description       | Model No. |
|-------------------|-----------|
| 3/8" Street elbow | 148X      |
| 3/8" Elbow        | 001355-40 |
| 1/2" Short elbow  | 006895-20 |
| 1/2" Street elbow | 150X      |
| 1/2" Elbow        | 001357-40 |
| 3/4" Short elbow  | 00LL      |
| 3/4" Elbow        | 001720-40 |

Inlet Extensions

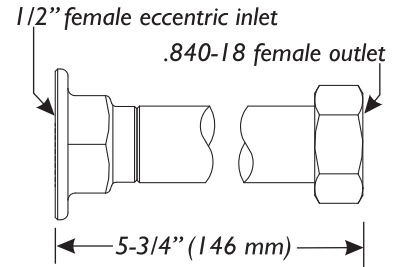
B-0440



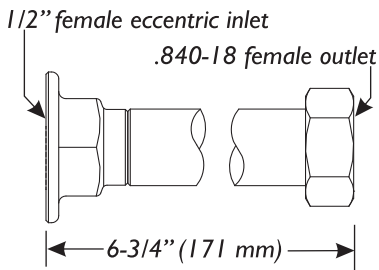
B-0441



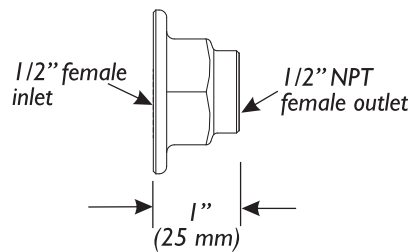
B-0442



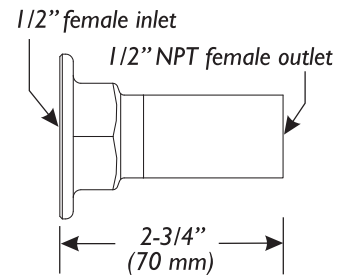
B-0443



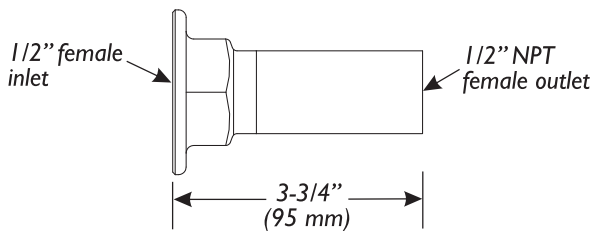
B-0445



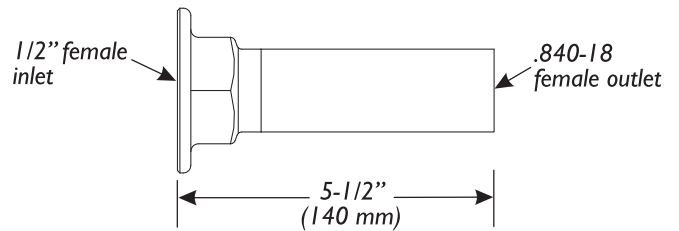
B-0446



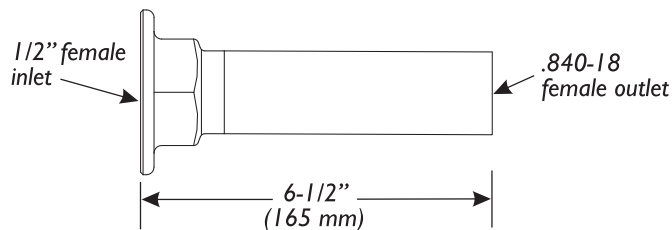
B-0447



B-0448



B-0449



Note: .840-18 female outlet accepts insert (000684-20) which connects inlet extension to faucet body

C  
14

**Inlet Extensions**

The following inlet extensions are polished chrome plated and used on the inlets of either wall or deck mounted union coupling style mixing faucets to extend inlets. 00AA 1-1/4" (32 mm) inlet standard on typical wall mounted faucets (B-0230, for example).  
**B-0440** Adds 1-3/4" (44 mm) to standard 00AA  
**B-0441** Adds 2-3/4" (70 mm) to standard 00AA  
**B-0442** Adds 4-1/2" (114 mm) to standard 00AA  
**B-0443** Adds 5-1/2" (140 mm) to standard 00AA

The following inlet extensions are used to extend faucets with male 1/2" NPT inlets.  
 Ex.: B-0704 faucet with B-0447 inlet extension.

- B-0445** 1" (25 mm)
- B-0446** 2-3/4" (70 mm)
- B-0447** 3-3/4" (95 mm)
- B-0448** 5-1/2" (140 mm)
- B-0449** 6-1/2" (165 mm)



## Swivel Pantry Faucets

### B-0200 Double Pantry Faucet

- Deck-mounted
- Swivel gooseneck (065X) with 18" (457 mm) length
- B-PT stream regulator
- Lever handles
- Single hole base faucet with 4" C/C spreader unit
- 1" (25 mm) shank
- Fits sink up to 1-1/2" thick
- 1/2" NPT male inlets



**B-0200-LN** Same as B-0200 except without swing nozzle

**B-0200-LNM** -LN Master Box (6)

**B-0200-M** Master Box (6)

**B-0200CR-PRISON** Same as B-0200 except with vandal resistant flow control aerator (1.0 GPM), vandal resistant lever handles and ceramic cartridges

**B-0200-60H-VB** Includes base faucet with 034A, B-0060-H hose, B-0107-035 spray valve, B-0104-D wall hook and B-0970-01 vacuum breaker

**B-0201** Same as B-0200 except with 12" (305 mm) swing nozzle (062X)

**B-0201-M** Master Box (6)

**B-0202** Same as B-0200 except with 6" (152 mm) swing nozzle (059X)

**B-0202-CR** Same as B-0202 except with ceramic cartridges

**B-0250** Same as B-0200 except with 18" (457 mm) double-joint swing nozzle (068X)

**B-0251** Same as B-0200 except with 15" (381 mm) double-joint swing nozzle (067X)

**B-0252** Same as B-0200 except with 12" (305 mm) double-joint swing nozzle (066X)

New  
Vandal  
Resistant  
Model

### B-0205 Single Pantry Faucet

- Deck-mounted
- Swivel gooseneck (065X) with 18" (457 mm) length
- B-PT stream regulator
- Lever handle (specify cold or hot)
- 1/2" NPSM male shank
- 1/4" NPT union type tailpiece



**B-0205-LN** Same as B-0205 except without swing nozzle

**B-0205-LNM** -LN Master Box (6)

**B-0205-M** Master Box (6)

**B-0205-44H-VB** Includes base faucet with 034A, B-0044-H hose, B-0107-035 spray valve, B-0104-D wall hook and B-0970-01 vacuum breaker

**B-0205-60H-VB** Includes base faucet with 034A, B-0060-H hose, B-0107-035 spray valve, B-0104-D wall hook and B-0970-01 vacuum breaker

**B-0206** Same as B-0205 except with 12" (305 mm) swing nozzle (062X)

**B-0206-M** Master Box (6)

**B-0207** Same as B-0205 except with 6" (152 mm) swing nozzle (059X)

**B-0207-CR** Same as B-0207 except with ceramic cartridges

**B-0207-M** Master Box (6)

**B-0255** Same as B-0205 except with 18" (457 mm) double-joint swing nozzle (068X)

**B-0257** Same as B-0205 except with 12" (305 mm) double-joint swing nozzle (066X)

### B-0208 Single Pantry Faucet

- Deck-mounted with 6" (152 mm) cast spout (OSC6)
- B-0199-01 (2.2 GPM) aerator
- Lever handle (specify hot or cold)
- 1/2" NPSM male shank
- Fits sink up to 1-1/8" thick
- (150A) 1/4" NPT male tailpiece



**B-0208-CR** Same as B-0208 except with ceramic cartridges

**B-0208-CR-HW** Same as B-0208-CR except with lever handle with hot (red) index

### B-0210 Single Pantry Faucet

- Wall-mounted single temperature faucet
- Swivel gooseneck (065X), 18" (457 mm) length
- B-PT stream regulator
- Four arm handle (specify hot or cold)
- For supply nipples, specify B-0425
- 1/2" NPT female flanged inlet



**B-0210-060X** Same as B-0210 except with 8" (203 mm) swing nozzle (060X)

**B-0210-LN** Same as B-0210 except without swing nozzle

**B-0210-LNM** -LN Master Box (6)

**B-0211** Same as B-0210 except with 12" (305 mm) swing nozzle (062X)

**B-0212** Same as B-0210 except with 6" (152 mm) swing nozzle (059X)

**B-0216** Same as B-0210 except with 6" (152 mm) cast spout (OSC6)

**B-0260** Same as B-0210 except with 18" (457 mm) double-joint swing nozzle (068X)

**B-0261** Same as B-0210 except with 15" (381 mm) double-joint swing nozzle (067X)

**B-0262** Same as B-0210 except with 12" (305 mm) double-joint swing nozzle (066X)

# Swivel Sink and Pantry Faucets



These base faucets are not equipped with spring check spindle assemblies. They are not for use with pre-rinse units.



This combination has parts which must be ordered separately.

1-800-476-4103 (East Coast)  
1-800-423-0150 (West Coast)

## Nozzles

### Swing Nozzle



C  
16

## Base Faucets



See p. C15



See p. C15

**B-0200-LN**  
Swivel Base Faucet

- Double pantry faucet, deck-mounted
- Lever handles
- Single hole base faucet with 4" spreader unit
- 1-1/8" (25 mm) shank
- Furnished with 1/4" NPT tailpieces

**B-0205-LN**  
Swivel Base Faucet

- Single pantry faucet, deck-mounted
- Lever handle (specify cold or hot)
- 1/2" NPSM single shank
- Furnished with 1/4" NPT tailpiece

059X 6" (152 mm)

**B-0202**  
**B-0202-CR** ceramic cartridges

**B-0207**  
**B-0207-CR** ceramic cartridges  
**B-0207-M** Master Box (6)

060X 8" (203 mm)



061X 10" (254 mm)



062X 12" (305 mm)

**B-0201**  
**B-0201-CR** ceramic cartridges  
**B-0201-M** Master Box (6)

**B-0206**  
**B-0206-CR** ceramic cartridges  
**B-0206-M** Master Box (6)

065X 18" (457 mm)

**B-0200**  
**B-0200-M** Master Box (6)  
**B-0200CR-PRISON**

**B-0205**  
**B-0205-M** Master Box (6)

Same Base Faucets cont. on p. C18 and C19

Other nozzles for these faucets cont. on page C18

# Swivel Sink and Pantry Faucets



See p. C21



See p. C21



See p. C22



See p. C23

**B-0220-LN**  
Deck Mixing Faucet

- Deck mixing faucet – swivel
- Lever handles
- 8" (203 mm) centers
- 1/2" NPT eccentric flanged female inlets

**B-0225-LN**  
Deck Mixing Faucet

- Deck mixing faucet – swivel
- Lever handles
- 4" (102 mm) centers
- 1/2" NPT eccentric flanged female inlets

**B-0230-LN**  
Swivel Base Faucet

- Wall mounted mixing faucet
- Lever handles
- 8" (203 mm) centers
- 1/2" NPT eccentric flanged female inlets

**B-0235-LN**  
Swivel Base Faucet

- Wall mounted mixing faucet
- Lever handles
- 2-1/4" (57 mm) to 8-1/4" (210 mm) centers
- Adjustable inlet arms

**B-0222**  
**B-0222-CC** 1/2" NPT CC male inlets  
**B-0222-EE** 1/2" NPT EE male inlets w/ adjustable flange  
**B-0222-M** Master Box (6)



**B-0228**  
**B-0228-CR** ceramic cartridges  
**B-0228-M** Master Box (6)  
**B-2283** B-0425 supply nipple

**B-0227**  
**B-0227-CC** 1/2" NPT CC male inlets  
**B-0227-CR** ceramic cartridges  
**B-0227-M** Master Box (6)

**B-0232**  
**B-0232-BST** built-in stops  
**B-0232-CC** 1/2" NPT CC male inlets  
**B-0232-CC-CR** ceramic cartridges  
**B-0232-EE** 1/2" NPT EE male inlets w/ adjustable flange  
**B-0232-ELK** 1/2" NPT supply el  
**B-0232-M** Master Box (6)



**B-0237**  
**B-0238** w/ spring checks and garden hose outlet



**B-0220-EE-061X**

**B-0226**  
**B-0226-CC** 1/2" NPT CC male inlets

**B-2342**  
**B-0230-EE-061X**



**B-0221**  
**B-0221-CC** 1/2" NPT CC male inlets  
**B-0221-CC-CR**  
**B-0221-CR** ceramic cartridges  
**B-0221-EE** 1/2" NPT EE male inlets w/ adjustable flange  
**B-0221-KK** 1/2" NPT KK inlets  
**B-0221-M** Master Box (6)  
**B-0221-01** B-0425 supply nipples  
**B-2280** B-0425 supply nipples

**B-0225**  
**B-0225-CC** 1/2" NPT CC male inlets  
**B-0225-CR** ceramic cartridges  
**B-0225-M** Master Box (6)

**B-0231**  
**B-0231-BB-CR** 3/4" NPT female inlets and ceramic cartridges  
**B-0231-BST** built-in stops  
**B-0231-CC** 1/2" NPT male inlets  
**B-0231-CC-CR**  
**B-0231-CCM** -CC Master Box (6)  
**B-0231-CR** ceramic cartridges  
**B-0231-CR-M** Master Box (6)  
**B-0231-EE** 1/2" NPT EE male inlets w/ adjustable flange  
**B-0231-EE-CR** ceramic cartridges  
**B-0231-EEM** -EE Master Box (6)  
**B-0231-M** Master Box (6)  
**B-0231-WH4** -WH4 handles  
**B-0231-02** B-PT strm. reg. outlet

**B-0236**  
**B-0236-CR** ceramic cartridges  
**B-0236-M** Master Box (6)

**B-0220**  
**B-0220-CC** 1/2" NPT CC male inlets  
**B-0220-EE** 1/2" NPT EE male inlets w/ adjustable flange  
**B-0220-EELN** 1/2" NPT EE male inlets less nozzle  
**B-0220-M** Master Box (6)



**B-0230**  
**B-0230-BST** built-in stops  
**B-0230-CC** 1/2" NPT male inlets  
**B-0230-CR** ceramic cartridges  
**B-0230-CR-02** 2.2 GPM aerator  
**B-0230-EE** 1/2" NPT EE male inlets w/ adjustable flange  
**B-0230-02** 2.2 GPM aerator

**B-0235**  
**B-0235-CC** 1/2" NPT CC male inlets



These base faucets are not equipped with spring check spindle assemblies. They are not for use with pre-rinse units.



This combination has parts which must be ordered separately.

1-800-476-4103 (East Coast)  
1-800-423-0150 (West Coast)

Base Faucets  
cont. from p. C16-C17



See p. C15



See p. C15

| B-0200-LN Swivel Base Faucet  | B-0205-LN Swivel Base Faucet   |
|---|--|
| <ul style="list-style-type: none"> <li>• Double pantry faucet, deck-mounted</li> <li>• Lever handles</li> <li>• Single hole base faucet with 4" (102 mm) spreader unit</li> <li>• 1-1/8" (25 mm) shank</li> <li>• Furnished with 1/4" NPT tailpieces</li> </ul> | <ul style="list-style-type: none"> <li>• Single pantry faucet, deck-mounted</li> <li>• Lever handle (specify cold or hot)</li> <li>• 1/2" NPT single shank</li> <li>• Furnished with 1/4" NPT tailpiece</li> </ul> |

## Nozzles

### Double-Joint Nozzle



SERIES 1 OUTLETS

066X 12" (305 mm)

**B-0252**

**B-0257**

067X 15" (381 mm)

**B-0251**

**B-0256**

068X 18" (457 mm)

**B-0250**

**B-0255**

### Cast Nozzle



SERIES 2 OUTLETS

OCS6 6" (152 mm)



**B-0208**  
**B-0208-CR** ceramic cartridges  
**B-0208-CR-HW** lever handle w/ red index (hot water)

### Swivel Gooseneck



SERIES 1 OUTLETS

SERIES 2 OUTLETS

133X

**B-0301**

**B-0306**

More Base Faucets for these Nozzles cont. on p. C20

## Notes

|  |  |
|--|--|
|  |  |
|  |  |
|  |  |
|  |  |
|  |  |
|  |  |
|  |  |
|  |  |
|  |  |
|  |  |



These base faucets are not equipped with spring check spindle assemblies. They are not for use with pre-rinse units.



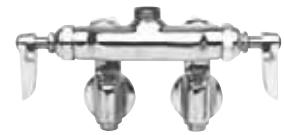
This combination has parts which must be ordered separately.

1-800-476-4103 (East Coast)  
1-800-423-0150 (West Coast)

## Base Faucets



See p. C15



See p. C23

### B-0210-LN Swivel Base Faucet

- Wall mounted single pantry faucet
- Four-arm handles
- 1/2" NPT female flanged inlet
- Specify hot or cold

### B-0240-LN Combination Sink Faucet

- Wall mounted mixing faucet
- Lever handles
- 2-1/4" (57 mm) to 8-1/4" (210 mm) centers adjustable inlet arms
- 1/2" NPT female flanged inlets
- Integral screwdriver stops

## Nozzles

### Swing Nozzle



059X 6" (152 mm)

**B-0212**

**B-0242**

060X 8" (203 mm)

**B-0210-060X**



061X 10" (254 mm)



062X 12" (305 mm)

**B-0211**

**B-0241**

065X 18" (457 mm)

**B-0210**

**B-0240**

### Double-Joint Nozzle



066X 12" (305 mm)

**B-0262**



067X 15" (381 mm)

**B-0261**



068X 18" (457 mm)

**B-0260**  
**B-0260-CR-177F** ceramic cartridges with lever handle



### Cast Nozzle



OSC6

**B-0216**  
**B-0216-177F** with lever handle

**B-0243**

### Swivel Gooseneck

133X

**B-0312**

**B-0343**





## Swivel Pantry Faucets

### B-0220 Double Pantry Faucet

NEW  
Faucet  
Models!

- Deck mounted mixing faucet
- Swivel gooseneck (065X) with 18" (457 mm) length
- B-PT stream regulator
- 8" centers
- Lever handles
- 1/2" NPT female eccentric flanged inlets, adjustable from 7-3/4" (197 mm) to 8-1/4" (210 mm)



### B-0225 Double Pantry Faucet

NEW  
Faucet  
Models!

- Deck-mounted mixing faucet
- Swivel gooseneck (062X) with 12" (305 mm) length
- B-PT stream regulator
- Lever handles
- 4" (102 mm) centers
- For supply nipples, specify B-0425
- 1/2" NPT female eccentric flanged inlets, adjustable from 3-3/4" (95 mm) to 4-1/4" (108 mm)



- B-0220-CC** Same as B-0220 except with 1/2" NPT CC male inlets
- B-0220-EE** Same as B-0220 except with 1/2" NPT EE male inlets with adjustable flange
- B-0220-LN** Same as B-0220 except less nozzle
- B-0220-EE-061X** Same as B-0220 except with 10" (254 mm) swing nozzle, 00EE inlets
- B-0220-EELN** Same as B-0220 except with 1/2" NPT EE male inlets with adjustable flange and less nozzle
- B-0220-LNCC** Same as B-0230 except with -CC inlets, less nozzle
- B-0220-LNCCM** -LNCC Master Box (6)
- B-0220-LNM** -LN Master Box (6)
- B-0220-M** Master Box (6)
- B-0221** Same as B-0220 except with 12" (305 mm) swing nozzle
- B-0221-01** Same as B-0220 except with 1/2" NPT supply nipples
- B-0221-CC** Same as B-0221 except with 1/2" NPT CC male inlets
- B-0221-CC-CR** Same as B-0221-CC except with ceramic cartridges
- B-0221-EE** Same as B-0221 except with 1/2" NPT EE male inlets with adjustable flange
- B-0221-KK** Same as B-0221 except with KK inlets
- B-0221-M** Master Box (6)
- B-0222** Same as B-0220 except with 6" (152 mm) swing nozzle
- B-0222-CC** Same as B-0222 except with 1/2" NPT CC male inlets
- B-0222-EE** Same as B-0222 except with 1/2" NPT EE male inlets with adjustable flange
- B-0222-M** Master Box (6)
- B-0245** Same as B-0220 except with 18" (457 mm) double-joint swing nozzle (068X)
- B-0246** Same as B-0220 except with 15" (381 mm) double-joint swing nozzle (067X)
- B-0247** Same as B-0220 except with 12" (305 mm) double-joint swing nozzle (066X)
- B-0344** Same as B-0220 except with 10" (254 mm) swing nozzle (061X)
- B-2280** Same as B-0221 except with B-0425 supply nipples
- B-2280-060X** Same as B-2280 except with 8" (203 mm) swing nozzle (060X)

- B-0225-LN** Same as B-0225 except without swing nozzle
- B-0225-LNM** -LN Master Box (6)
- B-0225-EELN** Same as B-0225 except with 1/2" NPT EE male inlets with adjustable flange and less nozzle
- B-0225-M** Master Box (6)
- B-0225-CC** Same as B-0225 except with 1/2" NPT CC male inlets
- B-0225-CR** Same as B-0225 except with ceramic cartridges
- B-0225-CR-LN** Same as B-0225-CR except less nozzle
- B-0226** Same as B-0225 except with 10" (254 mm) swing nozzle (061X)
- B-0226-CC** Same as B-0226 except with 1/2" NPT CC male inlets
- B-0227** Same as B-0225 except with 8" (203 mm) swing nozzle (060X)
- B-0227-CC** Same as B-0225 except with 1/2" NPT CC male inlets
- B-0227-M** Master Box (6)
- B-0228** Same as B-0225 except with 6" (152 mm) swing nozzle (059X)
- B-0228-CR** Same as B-0228 except with ceramic cartridges
- B-0228-M** Master Box (6)
- B-2283** Same as B-0228 except with B-0425 supply nipples
- B-2283-CR** Same as B-2283 except with ceramic cartridges
- B-2283-065X** Same as B-2283 except with 18" (457 mm) swing nozzle (065X)

### B-2501 Double Pantry Faucet

- Deck-mounted mixing faucet
- 6" (152 mm) cast spout (OSC6)
- B-0199-01 (2.2 GPM) aerator
- Lever handles
- 4" (102 mm) centers
- For supply nipples, specify B-0425
- 1/2" NPT female eccentric flanged inlets, adjustable from 3-3/4" (95 mm) to 4-1/4" (108 mm)



- B-2501-CR** Same as B-2501 except with ceramic cartridges



## Swivel Pantry Faucets

### B-0230 Double Pantry Faucet



- Wall-mounted pantry faucet
- Swivel gooseneck (065X) with 18" (457 mm) length
- 8" centers with 1/2" NPT female eccentric flanged inlets, adjustable from 7-3/4" (197 mm) to 8-1/4" (210 mm)
- Lever handles with color coded indexes • B-PT stream regulator

**B-0230-14-CR-SC** Same as B-0230 except with ceramic cartridges with check valves and 14" (356 mm) swing nozzle (063X)

**B-0230-BST** Same as B-0230 except with 1/2" BST built-in stops

**B-0230-CC** Same as B-0230 except with 1/2" NPT CC male inlets

**B-0230-CCLN** Same as B-0230-CC except less nozzle

**B-0230-CCLNM** -CCLN Master Box (6)

**B-0230-CR-02** Same as B-0230 except with ceramic cartridges and 18" (457 mm) swing nozzle with B-0199-01 aerator

**B-0230-EE** Same as B-0230 except with 1/2" NPT EE male inlets with adjustable flange

**B-0230-EE-061X** Same as B-0230-EE except with 10" (254 mm) swing nozzle (061X)

**B-0230-LN** Same as B-0230 except less nozzle

**B-0230-LNM** -LN Master Box (6)

**B-0230-M** Master Box (6)

**B-0230-TZ-CR-SC** Same as B-0230-14-CR-SC except with 18" (457 mm) swing nozzle (065X) and B-TEE-EZK EasyInstall Tee unit

**B-0231** Same as B-0230 except with 12" (305 mm) swing nozzle

**B-0231-02** Same as B-0231 except with B-0230-K installation kit

**B-0231-BST** Same as B-0231 except with 1/2" BST built-in stops

**B-0231-CC** Same as B-0231 except with 1/2" NPT CC male inlets

**B-0231-CC-CR** Same as B-0231-CC except with ceramic cartridges

**B-0231-CCM** -CC Master Box (6)

**B-0231-CR** Same as B-0231 except with ceramic cartridges

**B-0231-CR-M** -CR Master Box (6)

**B-0231-EE** Same as B-0231 except with 1/2" NPT EE male inlets with adjustable flanges

**B-0231-EE-CR** Same as B-0231-EE except with ceramic cartridges

**B-0231-EEM** -EE Master Box (6)

**B-0231-M** Master Box (6)

**B-0231-VF22-EL** Same as B-0231 except with 12" (305 mm) swing nozzle, 2.2 GPM vandal-resistant aerator and B-0230-K parts kit

**B-0231-WH4** Same as B-0231 except with 4" wrist-action handles

**B-0232** Same as B-0230 except with 6" (152 mm) swing nozzle

**B-0232-BST** Same as B-0232 except with 1/2" BST built-in stops

**B-0232-CC** Same as B-0232 except with 1/2" NPT CC male inlets

**B-0232-CC-CR** Same as B-0232-CC except with ceramic cartridges

**B-0232-M** Master Box (6)

**B-0234-BST** Same as B-0234-EE except with 1/2" BST built-in stops

**B-0234-EELN** Same as B-0234-EE except less nozzle

**B-0265** Same as B-0230 except with 18" (457 mm) double-joint swing nozzle (068X)

**B-0265-BST** Same as B-0265 except with 1/2" BST built-in stops

**B-0266** Same as B-0230 except with 15" (381 mm) double-joint swing nozzle (067X)

**B-0266-BST** Same as B-0266 except with 1/2" BST built-in stops

**B-0267** Same as B-0230 except with 12" (305 mm) double-joint swing nozzle (066X)

**B-0267-BST** Same as B-0267 except with 1/2" BST built-in stops

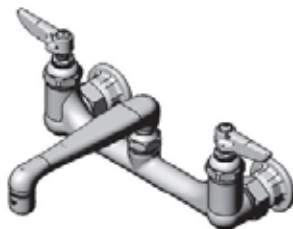
**B-2299** Same as B-0230 except with 14" (356 mm) swing nozzle (063X)

**B-2342** Same as B-0230 except with 10" (254 mm) swing nozzle (061X)

**B-2358** Same as B-0230 except with 14" (356 mm) swing nozzle and B-0425 supply nipples with 1/2" NPT female short els

### B-0230-01 Double Pantry Faucet

- Wall-mounted mixing faucet
- 6" swivel cast spout (0SC6)
- Optional swivel/rigid washer included
- B-0199-01 aerator (2.2 GPM)
- Lever handles with color coded indexes
- 8" centers, adjustable from 7-3/4" (197 mm) to 8-1/4" (210 mm)

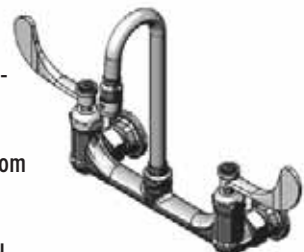


**B-0230-01-QT** Same as B-0230-01 except with quarter-turn spindle assemblies

**B-0234-EE** Same as B-0230 except with 1/2" NPT EE male inlets with adjustable flanges

### B-0230-132XA-CR Double Pantry Faucet

- Wall-mounted mixing faucet
- Swivel gooseneck (132X) with vandal-resistant aerator (2.2 GPM)
- 8" centers with 1/2" NPT female eccentric flanged inlets, adjustable from 7-3/4" (197 mm) to 8-1/4" (210 mm)
- 4" (102 mm) wrist-action handles
- Optional swivel/rigid washer included



**B-0230-132XA-EL** Same as B-0230-132XA-CR except includes a B-0230-K kit (two short els, supply nipples, lock nuts and short els)

**B-0230-134XA-CR** Same as B-0230-132XA-CR except with 134X swivel gooseneck and lever handles



## Swivel Pantry Faucets

### B-0233-01 Double Pantry Faucet

- Wall mounted mixing faucet
- Lever handles
- 8" (203 mm) centers
- 1/2" NPT female eccentric flanged inlets, adjustable from 7-3/4" (197 mm) to 8-1/4" (210 mm)
- 6" (152 mm) soap dish nozzle (160X) with B-LT stream regulator



- B-0233-02** Same as B-0233-01 except with 8" (203 mm) soap dish nozzle (161X)
- B-0233-03** Same as B-0233-01 except with 12" (305 mm) soap dish nozzle (162X)
- B-0233-04** Same as B-0233-01 except with 18" (457 mm) soap dish nozzle (163X)

### B-0240 Double Pantry Faucet

- Wall mounted mixing faucet with integral screwdriver stops
- 18" (457 mm) swing nozzle (065X) with B-PT stream regulator
- Lever handles
- Adjustable inlet arm centers from 2-1/4" (57 mm) to 8-1/4" (210 mm)
- 1/2" NPT female flanged inlets



- B-0241** Same as B-0240 except with 12" (305 mm) swing nozzle (062X)
- B-0242** Same as B-0240 except with 6" (152 mm) swing nozzle (059X)
- B-0243** Same as B-0240 except with 6" (152 mm) cast nozzle (05C6)
- B-0343** Same as B-0240 except with swivel gooseneck (133X)

### B-0301 Double Pantry Faucet

- Deck-mounted faucet
- Swivel gooseneck (133X) with B-PT stream regulator
- Lever handles
- Single hole base faucet with 4" C/C spreader unit and 1" (25 mm) shank
- Fits sink up to 1-1/2" thick
- 1/2" NPT male inlets



- B-0301-01** Same as B-0301 except with B-0199-01 (2.2 GPM) aerator
- B-0301-01-QT** Same as B-0301-01 except with quarter-turn cartridges. Includes swivel to rigid conversion lock washer
- B-0301-VR** Same as B-0301 except with vandal-resistant lever handles and B-0199-06 (2.2 GPM) vandal-resistant aerator
- B-0301-WH4** Same as B-0301 except with 4" (102 mm) wrist action handles

### B-0235 Double Pantry Faucet

- Wall mounted mixing faucet
- 18" (457 mm) swivel gooseneck (065X) with B-PT stream regulator
- Lever handles
- Centers adjustable from 2-1/4" (57 mm) to 8-1/4" (210 mm)
- 1/2" NPT female eccentric flanged inlets



- B-0235-01** (shown, right) Same as B-0235 except with 6" (152 mm) cast nozzle (0CS6)
- B-0235-LN** Same as B-0235 except less nozzle
- B-0235-LNM** -LN Master Box (6)
- B-0236** Same as B-0235 except with 12" (305 mm) swing nozzle
- B-0236-M** Master Box (6)
- B-0237** Same as B-0235 except with 6" (152 mm) swing nozzle
- B-0341** Same as B-0235 except with swivel gooseneck (133X)
- B-0341-CCC** Same as B-0341 except with swivel gooseneck (131X) with B-PT stream regulator outlet, ceramic cartridges and 4" (102 mm) wrist action handles



### B-0306 Single Pantry Faucet

- Deck-mounted faucet
- Swivel gooseneck (133X)
- B-PT stream regulator
- Lever handle (specify hot or cold)
- 1/2" NPSM male shank
- 1/4" NPT union type tailpiece



- B-0308-QT** Same as B-0306 except with quarter-turn cartridges and 132X swivel gooseneck. Includes swivel to rigid conversion lock washer

### B-0312 Single Pantry Faucet

- Wall-mounted faucet
- Swivel gooseneck (133X)
- B-PT stream regulator
- Four-arm handle (specify hot or cold)
- 1/2" NPT female flanged inlet





## Swivel Pantry Faucets

### B-0316 Double Pantry Faucet

- Wall mounted mixing faucet
- Swivel gooseneck (133X), with 5-1/2" (140 mm) spread
- B-PT stream regulator
- Four arm handles
- 3" (76 mm) vertical centers
- 1/2" NPT female flanged inlet



**B-0316-LN** Same as B-0316 except without gooseneck

### B-0325 Double Pantry Faucet

- Deck-mounted mixing faucet with 4" (102 mm) centers
- Swivel gooseneck (133X) with B-PT stream regulator
- Lever handles
- For supply nipples, specify B-0425
- 1/2" NPT female eccentric flanged inlets, adjustable from 3-3/4" (95 mm) to 4-1/4" (108 mm)



**B-0325-A22** Same as B-0325 except with (2.2 GPM) B-0199-01 aerator

**B-0325-CC-CR** Same as B-0325 except with 1/2" NPT CC male inlets and ceramic cartridges

**B-0325-CC-CR-WH4** Same as B-0325-CC-CR except with 4" (102 mm) wrist action handles

**B-0325-CR** Same as B-0325 except with ceramic cartridges

**B-0325-LN** Same as B-0325 except less nozzle

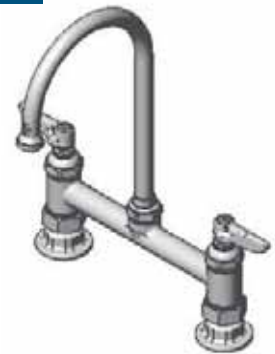
**B-0325-LNCC** Same as B-0325 except with 1/2" NPT CC male inlets and less nozzle

**B-0325-WH4** Same as B-0325 except with 4" (102 mm) wrist-action handles

**B-0328-CR-VF05** Same as B-0325 except with 0.5 GPM non-aerated vandal-resistant outlet device, 4" (102 mm) wrist action handles and ceramic cartridges

### B-0321 Double Pantry Faucet

- Deck mounted mixing faucet
- Swivel gooseneck (133X) with B-PT stream regulator
- 8" centers
- Lever handles
- 1/2" NPT female eccentric flanged inlets, adjustable from 7-3/4" (197 mm) to 8-1/4" (210 mm)



**B-0321-CC** Same as B-0321 except with 1/2" NPT CC male inlets

**B-0321-CC-CR** Same as B-0321-CC except with ceramic cartridges

**B-0321-NPL** Same as B-0321 except with B-0425 supply nipple kit with 1/2" NPT male inlets

### B-0331 Double Pantry Faucet

- Deck-mounted mixing faucet
- Swivel gooseneck (133X) with B-PT stream regulator
- Lever handles
- 4" (102 mm) centers
- For supply nipples, specify B-0425
- 1/2" NPT female eccentric flanged inlets, adjustable from 7-3/4" (197 mm) to 8-1/4" (210 mm)



**B-0331-BST** Same as B-0331 except with 1/2" BST built-in stops

**B-0331-CC** Same as B-0331 except with 1/2" NPT CC male inlets

**B-0331-CR** Same as B-0331 except with ceramic cartridges

**B-0331-VF22-EL** Same as B-0331 except with vandal-resistant aerator and B-0230-K installation kit

### B-0346 Double Pantry Faucet

- Wall mounted mixing faucet with 4" (102 mm) centers
- Swivel gooseneck (133X) with 5-1/2" (140 mm) spread
- Lever handles
- B-PT stream regulator
- 1/2" NPT female eccentric flanged inlets, adjustable from 3-1/8" (79 mm) to 3-5/8" (92 mm)



## Rigid Pantry Faucets



### B-0300 Double Pantry Faucet

- Double pantry faucet, deck-mounted
- Rigid gooseneck (120X) with 5-1/2" (140 mm) spread
- B-LT stream regulator outlet
- Lever handles
- Single hole base faucet with 4" (102 mm) spreader unit
- 1-1/8" (25 mm) shank
- Fits sink up to 1-1/2" thick
- 1/2" NPT male inlets
- Nut and tailpiece furnished for optional 1/4" NPT connections



- B-0300-CR** Same as B-0300 except with ceramic cartridges
- B-0300-LN** Same as B-0300 except less nozzle
- B-0300-VR** Same as B-0300 except with anti-rotation base and vandal-resistant aerator
- B-0300-VR4** Same as B-0300-VR except with B-WH4 4" (102 mm) wrist action handles
- B-0300-WH4** Same as B-0300 except with 4" (102 mm) wrist action handles

### B-0310 Single Pantry Faucet

- Single pantry faucet, wall-mounted
- Rigid gooseneck (120X) with 5-1/2" (140 mm) spread
- B-LT stream regulator outlet
- Four arm handle (specify cold or hot)
- 1/2" NPT female inlet



- B-0310-LN** Same as B-0310 except less nozzle

### B-0320 Double Pantry Faucet

- Deck mounted mixing faucet with 8" (203 mm) centers
- Rigid gooseneck (120X) with 5-1/2" (140 mm) spread
- B-LT stream regulator outlet
- Lever handles
- 1/2" NPT female eccentric flanged inlets, adjustable from 7-3/4" (197 mm) to 8-1/4" (210 mm)



- B-0320-LN** Same as B-0320 except less nozzle

### B-0305 Single Pantry Faucet

- Single pantry faucet, deck-mounted
- Rigid gooseneck (120X), with 5-1/2" (140 mm) spread
- B-LT stream regulator outlet
- Lever handle (specify cold or hot)
- 1/2" NPSM male shank
- Nut and tailpiece furnished for optional 1/4" NPT connections



- B-0305-LN** Same as B-0305 except less nozzle
- B-0305-VR** Same as B-0305 except with anti-rotation base and vandal-resistant aerator
- B-0305-VR4** Same as B-0305-VR except with B-WH4 4" (102 mm) wrist action handles
- B-0305-01** Same as B-0305 except with B-0199-02 aerator
- B-0305-03** Same as B-0305 except with metering cartridge assembly and vandal-resistant aerator
- B-0305-CR** Same as B-0305 except with ceramic cartridges
- B-0305-QT-WS** Same as B-0305 except with quarter-turn cartridges and 1.5 GPM WaterSense aerator

### B-0315 Double Pantry Faucet

- Wall mounted vertical mixing faucet
- Rigid gooseneck (120X) with 5-1/2" (140 mm) spread
- B-LT stream regulator outlet
- Four arm handles
- 3" (76 mm) vertical centers
- 1/2" NPT female inlets with flange



- B-0315-LN** Same as B-0315 except less nozzle



## Rigid Pantry Faucets

### B-0326 Double Pantry Faucet

- Deck-mounted mixing faucet
- Rigid gooseneck (120X) with 5-1/2" (140 mm) spread
- B-LT stream regulator outlet
- Lever handles
- 4" (102 mm) centers
- 1/2" NPT female eccentric flanged inlets, adjustable from 7-3/4" (197 mm) to 8-1/4" (210 mm)



**B-0326-LN** Same as B-0326 except less nozzle

### B-0340 Double Pantry Faucet

- Wall-mounted mixing faucet
- Rigid gooseneck (120X), with 5-1/2" (140 mm) spread
- B-LT stream regulator outlet
- Lever handles
- Adjustable inlet arms from 2-1/4" (57 mm) to 8-1/4" (210 mm) above or below C/C



**B-0340-LN** Same as B-0340 except less nozzle

### B-0345 Double Pantry Faucet

- Wall-mounted mixing faucet
- Rigid gooseneck (120X), with 5-1/2" (140 mm) spread
- B-LT stream regulator outlet
- Lever handles
- 3-3/8" (86 mm) centers
- 1/2" NPT female flanged inlets adjustable from 3-1/8" (79 mm) to 3-5/8" (92 mm)



**B-0345-LN** Same as B-0345 except less nozzle

### B-0330 Double Pantry Faucet

- Wall-mounted mixing faucet
- Rigid gooseneck (120X), with 5-1/2" (140 mm) spread
- B-LT stream regulator outlet
- Lever handles
- 8" (203 mm) centers
- 1/2" NPT female eccentric flanged inlets, adjustable from 7-3/4" (197 mm) to 8-1/4" (210 mm)



**B-0330-01-WH4** Same as B-0330 except with rigid gooseneck (119X) and 4" (102 mm) wrist action handles

**B-0330-LN** Same as B-0330 except less nozzle

**B-0330-BST** Same as B-0330 except with 1/2" BST built-in stops

**B-0330CR-PRISON** Same as B-0330 except with vandal resistant flow control aerator (1.0 GPM), vandal resistant lever handles and ceramic cartridges

New  
Vandal  
Resistant  
Model

### B-0342 Double Pantry Faucet

- Combination sink faucet, wall-mounted
- Rigid gooseneck (120X), with 5-1/2" (140 mm) spread
- B-LT stream regulator outlet
- Lever handles
- 1/2" NPT female inlets
- Adjustable inlet arms from 2-1/4" (57 mm) to 8-1/4" (210 mm) above or below C/C
- Includes built-in stops



**B-0342-LN** Same as B-0342 except less nozzle

**B-0342CR-PRISON** Same as B-0342 except with vandal resistant flow control aerator (1.0 GPM), vandal resistant lever handles and integral stops

New  
Vandal  
Resistant  
Model



Workboard Faucets

**B-1100**  
Workboard Faucet, 3 1/2" Centers

- Deck-mounted
- Removable seats
- 6" (152 mm) swing nozzle (059X)
- B-PT stream regulator
- Chrome plated escutcheon, 6-1/2" (165 mm) long x 2" (51 mm) wide
- 3-1/2" (89 mm) centers
- 1" (25 mm) shanks
- 1/2" NPT thread



- B-1100-LN** Same as B-1100 except without swing nozzle
- B-1100-LNM** -LN Master Box (6)
- B-1100-M** Master Box (6)
- B-1101** Same as B-1100 except with 8" (203 mm) swing nozzle (060X)
- B-1102** Same as B-1100 except with 10" (254 mm) swing nozzle (061X)
- B-1103** Same as B-1100 except with 12" (305 mm) swing nozzle (062X)
- B-1130** Same as B-1100 except with 18" (457 mm) double-joint swing nozzle (068X)
- B-1140** Same as B-1100 except with swivel gooseneck (133X)

**B-1105**  
Workboard Faucet, 3 1/2" Centers

- Splash back-mounted
- Removable seats
- 6" (152 mm) swing nozzle (059X)
- B-PT stream regulator
- Chrome plated escutcheon, 6-1/2" (165 mm) long x 2" (51 mm) wide
- 3-1/2" (89 mm) centers
- 1" (25 mm) shanks
- 1/2" NPT thread



- B-1105-LN** Same as B-1105 except without swing nozzle
- B-1105-LNM** -LN Master Box (6)
- B-1106** Same as B-1105 except with 8" (203 mm) swing nozzle (060X)
- B-1107** Same as B-1105 except with 10" (254 mm) swing nozzle (061X)
- B-1108** Same as B-1105 except with 12" (305 mm) swing nozzle (062X)
- B-1135** Same as B-1105 except with 18" (457 mm) double-joint swing nozzle (068X)
- B-1145** Same as B-1105 except with swivel gooseneck (133X)

**B-1110**  
Workboard Faucet, 4" Centers

- Deck-mounted
- Removable seats
- 6" (152 mm) swing nozzle (059X)
- B-PT stream regulator
- Chrome plated escutcheon, 6-1/2" (165 mm) long x 2" (51 mm) wide
- 4" (102 mm) centers
- 1" (25 mm) shanks
- 1/2" NPT thread

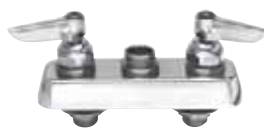


- B-1110-LN** Same as B-1110 except without swing nozzle
- B-1110-LN-WH4** Same as B-1100-LN except with 4" wrist action handles
- B-1110-LNM** -LN Master Box (6)
- B-1110-M** Master Box (6)
- B-1110-QT** Same as B-1110 except with quarter-turn spindle assemblies
- B-1110-XS** Same as B-1110 except with 2" (51 mm) shank
- B-1110-XS-LN** Same as B-1110-XS except less swing nozzle
- B-1110-XS-LNM** -XS-LN Master Box (6)
- B-1111** Same as B-1110 except with 8" (203 mm) swing nozzle (060X)
- B-1111-M** Master Box (6)
- B-1111-XS** Same as B-1111 except with 2" (51 mm) shank
- B-1112** Same as B-1110 except with 10" (254 mm) swing nozzle (061X)
- B-1112-M** Master Box (6)
- B-1112-XS** Same as B-1112 except with 2" (51 mm) shank
- B-1113** Same as B-1110 except with 12" (305 mm) swing nozzle (062X)
- B-1113-M** Master Box (6)
- B-1113-XS** Same as B-1113 except with 2" (51 mm) shank
- B-1131** Same as B-1110 except with 18" (457 mm) double-joint swing nozzle (068X)
- B-1131-XS** Same as B-1131 except with 2" (51 mm) shank
- B-1141** Same as B-1110 except with swivel gooseneck (133X)
- B-1141-XS** Same as B-1141 except with 2" (51 mm) shank

The B-1110-LN, B-1115-LN, B-1120-LN and B-1125-LN series faucets are available with 2" (51 mm) long, 1/2" IPS shanks for mounting on thick counter tops, sinks, etc. To order, add -XS to model number. Ex.: B-1120-XS.

1-800-476-4103 (East Coast)  
1-800-423-0150 (West Coast)

Base Faucets



See p. C27



See p. C27

B-1100-LN  
Workboard Faucet

B-1105-LN  
Workboard Faucet

- Deck-mounted
- Forged brass body
- Removable seats
- 6-1/2" (165 mm) long x 2" (51 mm) wide chrome plated escutcheon
- 3-1/2" (89 mm) centers
- 1" (25 mm) long shanks
- 1/2" NPT thread

- Splash back-mounted
- Forged brass body
- Removable seats
- 6-1/2" (165 mm) long x 2" (51 mm) wide chrome plated escutcheon
- 3-1/2" (89 mm) centers
- 1" (25 mm) long shanks
- 1/2" NPT thread

Nozzles

Swing Nozzle

059X 6" (152 mm)

**B-1100**  
**B-1100-M** Master Box (6)

**B-1105**  
**B-1105-M** Master Box (6)

060X 8" (203 mm)

**B-1101**

**B-1106**

061X 10" (254 mm)

**B-1102**  
**B-1102-M** Master Box (6)

**B-1107**

062X 12" (305 mm)

**B-1103**  
**B-1103-M** Master Box (6)

**B-1108**



Double-Joint Nozzle

068X 18" (457 mm)

**B-1130**

**B-1135**



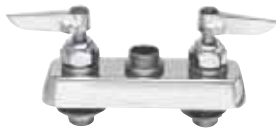
Swivel Gooseneck

133X

**B-1140**

**B-1145**

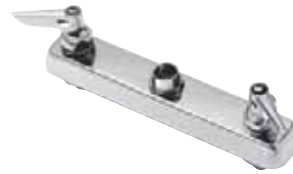




See p. C27



See p. C30



See p. C30



See p. C31

|                               |                               |                               |                               |
|-------------------------------|-------------------------------|-------------------------------|-------------------------------|
| B-1110-LN<br>Workboard Faucet | B-1115-LN<br>Workboard Faucet | B-1120-LN<br>Workboard Faucet | B-1125-LN<br>Workboard Faucet |
|-------------------------------|-------------------------------|-------------------------------|-------------------------------|

|   |  |  |   |
|---|--|--|---|
| <ul style="list-style-type: none"> <li>• Deck-mounted</li> <li>• Forged brass body</li> <li>• Removable seats</li> <li>• 6-1/2" (165 mm) long x 2" (51 mm) wide chrome plated escutcheon</li> <li>• 4" (102 mm) centers</li> <li>• 1" (25 mm) long shanks</li> <li>• 1/2" NPT thread</li> </ul> | <ul style="list-style-type: none"> <li>• Splash back-mounted</li> <li>• Forged brass body</li> <li>• Removable seats</li> <li>• 6-1/2" (165 mm) long x 2" (51 mm) wide chrome plated escutcheon</li> <li>• 4" (102 mm) centers</li> <li>• 1" (25 mm) long shanks</li> <li>• 1/2" NPT thread</li> </ul> | <ul style="list-style-type: none"> <li>• Deck-mounted</li> <li>• Forged brass body</li> <li>• Removable seats</li> <li>• 10-1/2" (267 mm) long x 2" (51 mm) wide chrome plated escutcheon</li> <li>• 8" (203 mm) centers</li> <li>• 1" (25 mm) long shanks</li> <li>• 1/2" NPT thread</li> </ul> | <ul style="list-style-type: none"> <li>• Splash back-mounted</li> <li>• Forged brass body</li> <li>• Removable seats</li> <li>• 10-1/2" (267 mm) long x 2" (51 mm) wide chrome plated escutcheon</li> <li>• 8" (203 mm) centers</li> <li>• 1" (25 mm) long shanks</li> <li>• 1/2" NPT thread</li> </ul> |
|---|--|--|---|

|   |   |   |  |
|---|---|---|--|
| <b>B-1110</b><br><b>B-1110-M</b> Master Box (6)<br><b>B-1110-QT</b> Quarter-turn cartridges<br><b>B-1110-XS</b> with 2" (51 mm) shank | <b>B-1115</b><br><b>B-1115-M</b> Master Box (6)<br><b>B-1115-XS</b> with 2" (51 mm) shank | <b>B-1120</b><br><b>B-1120-F22</b> with 2.2 GPM aerator<br><b>B-1120-M</b> Master Box (6)<br><b>B-1120-QT</b> Quarter-turn cartridges<br><b>B-1120-XS</b> with 2" (51 mm) shank | <b>B-1125</b><br><b>B-1125-M</b> Master Box (6)<br><b>B-2289</b> Four arm handles (175F) |
|---|---|---|--|

|   |   |   |   |
|---|---|---|---|
| <b>B-1111</b><br><b>B-1111-M</b> Master Box (6)<br><b>B-1111-XS</b> with 2" (51 mm) shank | <b>B-1116</b><br><b>B-1116-M</b> Master Box (6) | <b>B-1121</b><br><b>B-1121-M</b> Master Box (6)<br><b>B-1121-XS</b> with 2" (51 mm) shank | <b>B-1126</b><br><b>B-1126-M</b> Master Box (6)<br><b>B-1126-XS</b> with 2" (51 mm) shank |
|---|---|---|---|

|   |   |   |   |
|---|---|---|---|
| <b>B-1112</b><br><b>B-1112-M</b> Master Box (6)<br><b>B-1112-XS</b> with 2" (51 mm) shank | <b>B-1117</b><br><b>B-1117-M</b> Master Box (6) | <b>B-1122</b><br><b>B-1122-M</b> Master Box (6)<br><b>B-1122-XS</b> with 2" (51 mm) shank | <b>B-1127</b><br><b>B-1127-M</b> Master Box (6) |
|---|---|---|---|

|   |   |   |   |
|---|---|---|---|
| <b>B-1113</b><br><b>B-1113-M</b> Master Box (6)<br><b>B-1113-XS</b> with 2" (51 mm) shank | <b>B-1118</b><br><b>B-1118-M</b> Master Box (6) | <b>B-1123</b><br><b>B-1123-M</b> Master Box (6)<br><b>B-1123-XS</b> with 2" (51 mm) shank<br><b>B-1124</b> with 2.2 GPM aerator | <b>B-1128</b><br><b>B-1128-M</b> Master Box (6)<br><b>B-1128-XS</b> with 2" (51 mm) shank |
|---|---|---|---|

|   |               |               |               |
|---|---------------|---------------|---------------|
| <b>B-1131</b><br><b>B-1131-XS</b> with 2" (51 mm) shank | <b>B-1136</b> | <b>B-1132</b> | <b>B-1137</b> |
|---|---------------|---------------|---------------|

|   |  |  |               |
|---|--|--|---------------|
| <b>B-1141</b><br><b>B-1141-XS</b> with 2" (51 mm) shank | <b>B-1146</b><br><b>B-1146-XS</b> with 2" (51 mm) shank<br><b>B-1146-04</b> with B-WH4 handles and B-0199-01 aerator | <b>B-1142</b><br><b>B-1142-04A-QT</b> with wrist action handles, 2-2 GPM aerator and quarter-turn cartridges<br><b>B-1142-XS</b> with 2" (51 mm) shank | <b>B-1147</b> |
|---|--|--|---------------|



Workboard Faucets

**B-1115**  
Workboard Faucet, 4" Centers



- Splash back-mounted
- Removable seats
- 6" (152 mm) swing nozzle (059X)
- B-PT stream regulator
- Chrome plated escutcheon, 6-1/2" (165 mm) long x 2" (51 mm) wide
- 4" (102 mm) centers
- 1" (25 mm) shanks
- 1/2" NPT thread
- Lever handles



**B-1115-LN** Same as B-1115 except without swing nozzle  
**B-1115-LNM** -LN Master Box (6)  
**B-1115-M** Master Box (6)  
**B-1115-XS** Same as B-1115 except with 2" (51 mm) shank  
**B-1116** Same as B-1115 except with 8" (203 mm) swing nozzle (060X)  
**B-1116-M** Master Box (6)  
**B-1117** Same as B-1115 except with 10" (254 mm) swing nozzle (061X)  
**B-1117-M** Master Box (6)  
**B-1118** Same as B-1115 except with 12" (305 mm) swing nozzle (062X)  
**B-1118-M** Master Box (6)  
**B-1136** Same as B-1115 except with 18" (457 mm) double-joint swing nozzle (068X)

**B-1142**  
Workboard Faucet, 8" Centers



- Deck-mounted with 8" (203 mm) centers
- Removable seats
- Swivel gooseneck (133X)
- B-PT stream regulator
- Chrome plated escutcheon, 10-1/2" (267 mm) long x 2" (51 mm) wide
- 1/2" NPT male shanks
- 1/2" NPT thread
- Lever handles



**B-1142-04** Same as B-1142 except with 4" wrist action handles  
**B-1142-04A-QT** Same as B-1142-04 except with 133X-AER swivel gooseneck with B-0199-01 (2.2 GPM) aerator and quarter-turn spindle assemblies  
**B-1142-XS** Same as B-1142 except with 2" (51 mm) shank

**B-1120**  
Workboard Faucet, 8" Centers



- Deck-mounted
- Removable seats
- 6" (152 mm) swing nozzle (059X)
- B-PT stream regulator
- Chrome plated escutcheon, 10-1/2" (267 mm) long x 2" (51 mm) wide
- 8" (203 mm) centers
- 1" (25 mm) shanks
- 1/2" NPT thread
- Lever handles



**B-1120-F22** Same as B-1120 except with a 2.2 GPM aerator  
**B-1120-LN** Same as B-1120 except without swing nozzle  
**B-1120-LN-WH4** Same as B-1120-LN except with 4" wrist-action handles  
**B-1120-LNM** -LN Master Box (6)  
**B-1120-M** Master Box (6)  
**B-1120-QT** Same as B-1120 except with quarter-turn spindle assemblies  
**B-1120-XS** Same as B-1120 except with 2" (51 mm) shank  
**B-1120-XS-LN** Same as B-1120-XS except less swing nozzle  
**B-1120-XS-LNM** -XS-LN Master Box (6)  
**B-1121** Same as B-1120 except with 8" (203 mm) swing nozzle (060X)  
**B-1121-M** Master Box (6)  
**B-1121-XS** Same as B-1121 except with 2" (51 mm) shank  
**B-1122** Same as B-1120 except with 10" (254 mm) swing nozzle (061X)  
**B-1122-M** Master Box (6)  
**B-1122-XS** Same as B-1122 except with 2" (51 mm) shank  
**B-1123** Same as B-1120 except with 12" (305 mm) swing nozzle (062X)  
**B-1123-M** Master Box (6)  
**B-1123-XS** Same as B-1123 except with 2" (51 mm) shank  
**B-1132** Same as B-1120 except with 18" (457 mm) double-joint swing nozzle (068X)

**B-1148**  
Workboard Faucet

- Deck-mounted with forged brass body
- Removable seats
- 6-1/2" (165 mm) long x 2" (51 mm) wide chrome plated escutcheon
- 8" (203 mm) centers
- 1/2" NPT male shanks, 1" (25 mm) long
- B-2403 swing nozzle with B-0199-01 (2.2 GPM) aerator
- Lever handles





Workboard Bar / Sink Faucets



**B-1151**  
Workboard Faucet

- Deck-mounted
- Forged brass body
- Removable seats
- 6-1/2" (165 mm) long x 2" (51 mm) wide chrome plated escutcheon
- 4" (102 mm) centers
- 1" (25 mm) long shanks with 1/2" NPT threads
- 8" (203 mm) swing nozzle; can be furnished with 6" (152 mm), 10" (254 mm) or 12" (305 mm) upon request
- B-LT stream regulator
- Positive diverter
- Protective flange (B-KF) for sheet metal up to .100" (3 mm) thick. Specify B-KG for .090" (2 mm) to .187" (5 mm) thick
- Flexible stainless steel hose 013E-48 48" (1219 mm) length (longer lengths available upon request)
- Spray valve (002857-40)



**B-1152** Same as B-1151 except 8" (203 mm) inlet centers, and escutcheon is 10-1/2" (267 mm) long x 2" (51 mm) wide  
**B-1152-092A** Same as B-1152 except with 092A spray valve with brush  
**B-1152-092A-VB** Same as B-1152-092A except with B-0970-FE vacuum breaker

**B-1177**  
Workboard Faucet

- Deck-mounted with forged brass body
- Removable seats
- 6-1/2" (165 mm) long x 2" (51 mm) wide chrome plated escutcheon
- 4" (102 mm) centers
- 1/2" NPT male shanks, 1" (25 mm) long
- Built-in diverter
- Self-closing spray valve
- 4 ft. (1.2 m) reinforced vinyl hose and hose guide
- B-0405-03 rigid vacuum breaker nozzle
- B-LT stream regulator
- Lever handles



**B-1156**  
Workboard Faucet

- Splash back-mounted
- Forged brass body
- Removable seats
- 6-1/2" (165 mm) long x 2" (51 mm) wide chrome plated escutcheon
- 4" (102 mm) centers
- 1" (25 mm) long shanks with 1/2" NPT threads
- 8" (203 mm) swing nozzle; can be furnished with 6" (152 mm), 10" (254 mm) or 12" (305 mm) upon request
- B-LT stream regulator
- Positive diverter
- Protective flange (B-KF) for sheet metal up to .100" (3 mm) thick. Specify B-KG for .090" (2 mm) to .187" (5 mm) thick
- Flexible stainless steel hose 013E-48 48" (1219 mm) length (longer lengths available upon request)
- Spray valve (002857-40)



**B-1157** Same as B-1156 except with 8" centers (203 mm)  
**B-1157-12** Same as B-1157 except with 12" swing nozzle (062X)

**B-1171**  
Workboard Faucet

- Deck-mounted faucet with forged brass body
- Removable seats
- 6-1/2" (165 mm) long x 2" (51 mm) wide chrome plated escutcheon
- 4" (102 mm) centers
- 1" (25 mm) long shanks, 1/2" NPT male
- 8" (203 mm) swing nozzle
- B-PT stream regulator
- Built-in diverter
- Self-closing spray valve
- 4 ft. (1.2 m) reinforced vinyl hose and hose guide



**B-1171-07** Same as B-1171 except with 7 ft. (2134 mm) hose  
**B-1172** Same as B-1171 except 8" (203 mm) centers  
**B-1172-01-CD** 8" (203 mm) deck-mount faucet, 133X goose-neck, 4" (102 mm) wrist-action handles; includes sidespray with rosespray outlet  
**B-1172-07** Same as B-1172 except with 7 ft. (2134 mm) hose  
**B-1173-101-48H** Same as B-1172 except with spray valve with 013E-48H hose

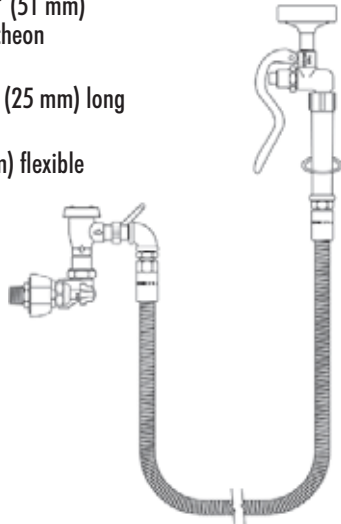


Workboard Bar / Sink Faucets

**B-1193**  
Workboard Faucet

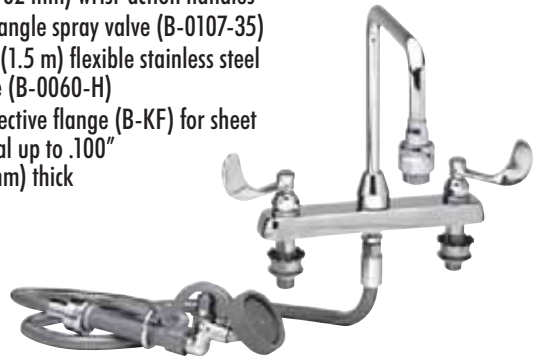
**NEW Workboard Faucet model**

- Wall-mounted with forged brass body
- Removable seats
- B-0413 swivel to rigid adapter
- 6-1/2" (165 mm) long x 2" (51 mm) wide chrome plated escutcheon
- 4" (102 mm) centers
- 1/2" NPT male shanks, 1" (25 mm) long
- EB-0107 spray valve
- EB-0072-H 72" (1829 mm) flexible stainless steel hose
- B-0968 vacuum breaker
- Lever handles



**B-2346**  
Workboard Faucet

- Deck-mounted
- Forged brass body
- 8" (203 mm) centers
- 1/2" NPT threads
- Swivel gooseneck
- Vacuum breaker on nozzle outlet with garden hose threads (B-0972)
- 4" (102 mm) wrist-action handles
- 35° angle spray valve (B-0107-35)
- 5 ft. (1.5 m) flexible stainless steel hose (B-0060-H)
- Protective flange (B-KF) for sheet metal up to .100" (3 mm) thick



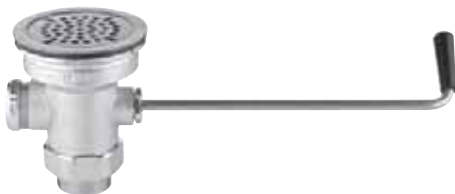
Waste Valves with Twist Handle or Lever Handle

- All models are equipped with an overflow outlet and cap
- "-01" models come furnished with a complete overflow assembly
- Models available with a conversion adapter that reduces a 2" drain outlet to a 1-1/2" outlet
- Master Packs available

C  
33

**B-3940**  
Waste Valve with Twist Handle

**B-3960**  
Waste Valve with Lever Handle



**Waste Valve with Twist and Lever Handles:**

- Valve bodies come standard with a 2" outlet
- Also available with reducer that allows for a 1-1/2" or 2" outlet
- 3" (76 mm) or 3-1/2" (89 mm) sink opening applications



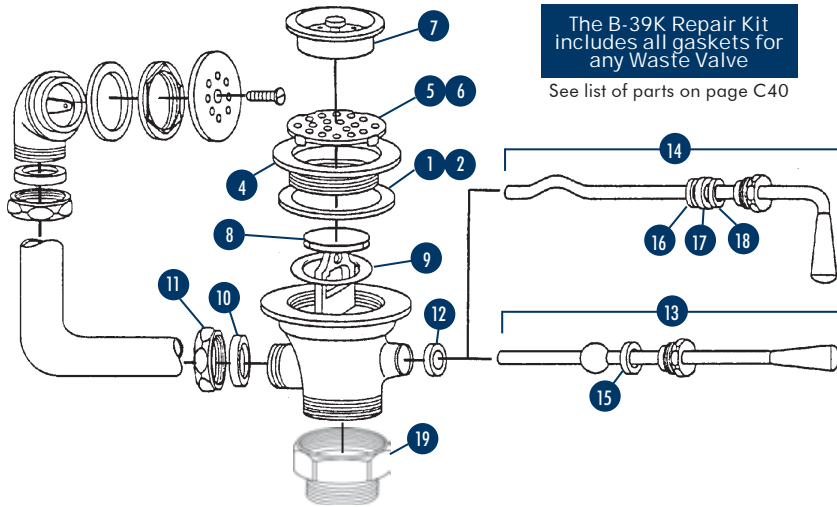
| Model      | Sink Opening | Drain Outlet |
|------------|--------------|--------------|
| B-3940     | 3"           | 1-1/2" or 2" |
| B-3940-01* | 3"           | 1-1/2" or 2" |
| B-3942     | 3"           | 2"           |
| B-3942-01* | 3"           | 2"           |
| B-3950     | 3-1/2"       | 1-1/2" or 2" |
| B-3950-01* | 3-1/2"       | 1-1/2" or 2" |
| B-3952     | 3-1/2"       | 2"           |
| B-3952-01* | 3-1/2"       | 2"           |

\* "-01" models include an overflow assembly

| Model      | Sink Opening | Drain Outlet |
|------------|--------------|--------------|
| B-3960     | 3"           | 1 1/2" or 2" |
| B-3960-01* | 3"           | 1 1/2" or 2" |
| B-3962     | 3"           | 2"           |
| B-3962-01* | 3"           | 2"           |
| B-3970     | 3 1/2"       | 1 1/2" or 2" |
| B-3970-01* | 3 1/2"       | 1 1/2" or 2" |
| B-3972     | 3 1/2"       | 2"           |
| B-3972-01* | 3 1/2"       | 2"           |

\* "-01" models include an overflow assembly

## Waste Valves with Twist Handle or Lever Handle



| No. | Part No.  | Description                                    |
|-----|-----------|--|
| 1   |           | 3" Head Gasket*                                |
| 2   |           | 3½" Head Gasket*                               |
| 4   | 010384-45 | 3½" Head Flange                                |
| 5   | 010385-45 | 3" Strainer, Flat                              |
| 6   | 010386-45 | 3½" Strainer, Flat                             |
| 7   | 010387-45 | 3½" Crumb Cup Strainer                         |
| 8   | 010388-45 | Plunger  |
| 9   |           | 'O'-Ring*                                      |
| 10  |           | Coupling Washer*                               |
| 11  | 010391-45 | Coupling Nut                                   |
| 12  |           | Drain Bushing*                                 |
| 13  | 010394-45 | Lever Handle Assembly                          |
| 14  | 010393-45 | Twist Handle Assembly                          |
| 15  |           | Lever Handle Shaft Bushing*                    |
| 16  |           | Twist Handle C-Ring*                           |
| 17  |           | Twist Handle Washer*                           |
| 18  |           | Twist Handle 'O'-Ring*                         |
| 19  | B-3945    | Adapter (converts 2" NPT male to 1½" NPT male) |

\* These parts are included in the B-39K Repair Kit

### Model Specifications for Waste Valves/Twist or Lever Handles

| Model     | Sink Opening | Drain Outlet | Over-Flow Out |
|-----------|--------------|--------------|---------------|
| B-3940    | 3"           | 1½" or 2"    | Optional      |
| B-3940-01 | 3"           | 1½" or 2"    | Included      |
| B-3942    | 3"           | 2"           | Optional      |
| B-3942-01 | 3"           | 2"           | Included      |
| B-3950    | 3½"          | 1½" or 2"    | Optional      |
| B-3950-01 | 3½"          | 1½" or 2"    | Included      |
| B-3952    | 3½"          | 2"           | Optional      |
| B-3952-01 | 3½"          | 2"           | Included      |
| B-3960    | 3"           | 1½" or 2"    | Optional      |
| B-3960-01 | 3"           | 1½" or 2"    | Included      |
| B-3962    | 3"           | 2"           | Optional      |
| B-3962-01 | 3"           | 2"           | Included      |
| B-3970    | 3½"          | 1½" or 2"    | Optional      |
| B-3970-01 | 3½"          | 1½" or 2"    | Included      |
| B-3972    | 3½"          | 2"           | Optional      |
| B-3972-01 | 3½"          | 2"           | Included      |

Note: Adding "-01" includes overflow tube and head

- B-3950-01-SB** Same as B-3950-01 except with removable strainer basket
- B-3950-SB** Same as B-3950 except with removable strainer basket
- B-3950-VR** Same as B-3950 except with vandal-resistant flat strainer
- B-3950-XS** Same as B-3950 except with short twist handle
- B-3952-VR** Same as B-3950 except with vandal-resistant flat strainer
- B-3970-VR** Same as B-3970 except with vandal-resistant flat strainer
- B-3999-OF-XL** with extra-long overflow elbow tube, 24" x 24" long, chrome plated brass (011355-45XL)

**NEW Waste Valves!**

C 34

## Waste Valve Accessories

### 010387-45 Basket Strainer

- Available on all 3-1/2" models as a modification

Also available: **Flat Strainer** – 3" (010385-45) 3-1/2" (010386-45)



### 010393-45XS Short Handle Assembly

**NEW!**

- Short twist waste valve handle assembly



### B-3999-OF Overflow Assembly

- Available on all waste valve models
- All "-01" models include the overflow assembly  
For ex.: **B-3940-01**
- Tube only: (011355-45)
- Head only: (011356-45)



### 010394-45XS Short Handle Assembly

**NEW!**

- Short lever waste valve handle assembly



## Modular Waste Valves

**NEW!** Premium Modular Waste Valves have been designed to exceed in the most demanding applications and maintain the quality and reliability you have come to expect from T&S.



**Features include:**

- Modular design for easy installation and maintenance
- Large drain opening to accommodate high-volume applications
- Push-pull valve activation with rugged handle to endure extreme abuse
- Unique installation tool included to make installation easy
- Handle extension kits available
- 1-year warranty

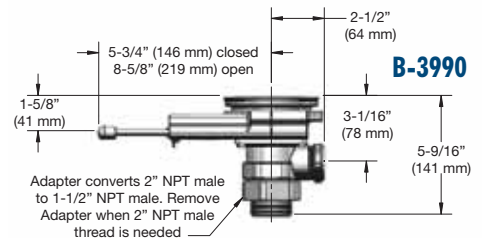
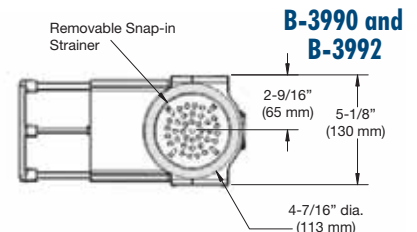
### B-3990 Modular Waste Valve

- Modular design for easy installation and maintenance
- For 3-1/2" sink opening
- 2" NPT female x 1-1/2" NPT male adapter

- B-3990-BSP** Same as B-3990 except with 1-1/2" BSP male adapter
- B-3990-3X** Same as B-3990 except includes 3" handle extension kit
- B-3990-5X** Same as B-3990 except includes 5" handle extension kit
- B-3990-BSP-3X** Same as B-3990-BSP except includes 3" handle extension kit
- B-3990-BSP-5X** Same as B-3990-BSP except includes 5" handle extension kit



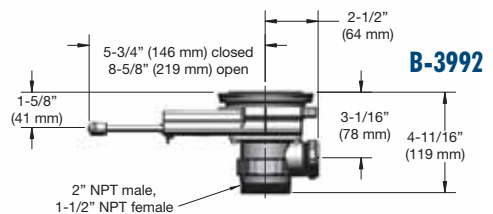
B-3992 shown closed (above) and open (below)



### B-3992 Modular Waste Valve

- Modular design for easy installation and maintenance
- For 3-1/2" sink opening
- 2" NPT male x 1-1/2" NPT female outlet

- B-3992-3X** Same as B-3992 except includes 3" handle extension kit
- B-3992-5X** Same as B-3992 except includes 5" handle extension kit



C  
35

### B-3990-01 Modular Waste Valve with Overflow Tube with Head Assembly

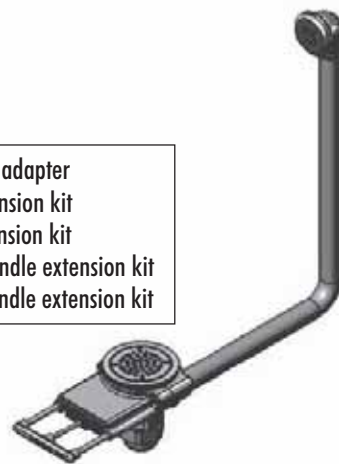
- Modular design for easy installation and maintenance
- For 3-1/2" sink opening
- 2" NPT female x 1-1/2" NPT male adapter

- B-3990-01-BSP** Same as B-3990-01 except with 1-1/2" BSP male adapter
- B-3990-01-3X** Same as B-3990-01 except includes 3" handle extension kit
- B-3990-01-5X** Same as B-3990-01 except includes 5" handle extension kit
- B-3990-01-BSP3X** Same as B-3990-01-BSP except includes 3" handle extension kit
- B-3990-01-BSP5X** Same as B-3990-01-BSP except includes 5" handle extension kit

### B-3992-01 Modular Waste Valve with Overflow Tube with Head Assembly

- Modular design for easy installation and maintenance
- For 3-1/2" sink opening
- 2" NPT male x 1-1/2" NPT female adapter

- B-3992-01-3X** Same as B-3992-01 except includes 3" handle extension kit
- B-3992-01-5X** Same as B-3992-01 except includes 5" handle extension kit



**NEW!**  
**Waste Valve Installation Tool:**

- Part # 017670-45**
- Modular Waste Valve Installation Tool
  - Included with all Modular Waste Valves
  - Helps installation of both 3" and 3-1/2" drains
  - Can order this part separately

## Modular Waste Valves



All our Modular Waste Valves can be modified with 3" or 5" handle extensions to accommodate your sink measurements and preferences.

- Refer to the chart below for *optional* or *recommended* use of handle extensions
- Refer to the illustrations below for specific measurements related to sink length and recommended handle extensions

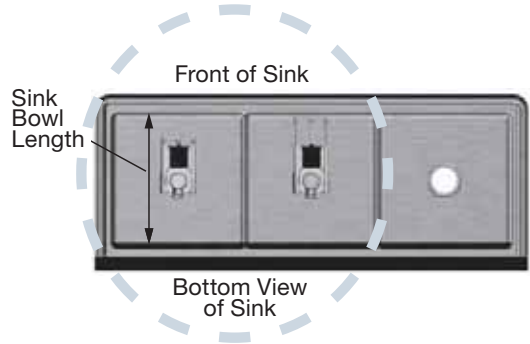
### B-3990-3KIT 3" Handle Extension Kit

- Includes three (3) 3" extension rods and a capsule of Loctite 222
- Extends Modular Waste Valve handles by 3"

### B-3990-5KIT 5" Handle Extension Kit

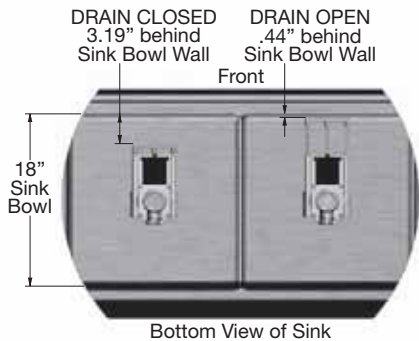
- Includes three (3) 5" extension rods and a capsule of Loctite 222
- Extends Modular Waste Valve handles by 5"

| Sink Bowl Length<br>(Front to back measurement of Sink Bottom) | 3" Handle Extension   | 5" Handle Extension   |
|--|-----------------------|-----------------------|
| 18"  | Optional (not needed) | Optional (not needed) |
| 20"  | Recommended           | Optional (not needed) |
| 24"  | Recommended           | Optional (not needed) |
| 28"  | Not recommended       | Recommended           |

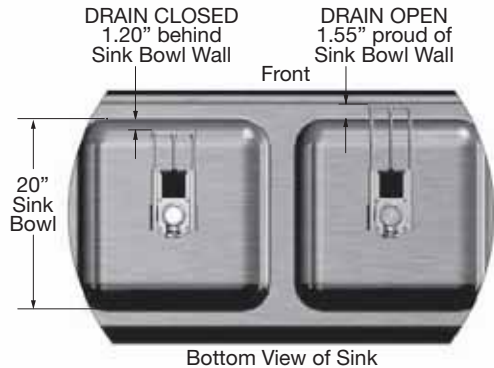


### Recommended Extension Kits for the Modular Waste Valves Based On Popular Sink Bowl Length

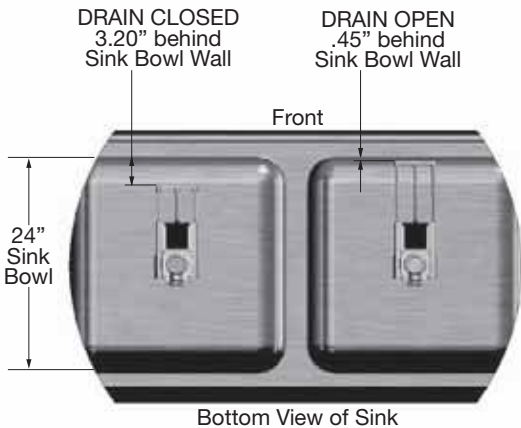
#### 18" Sink Length with NO Handle Extension



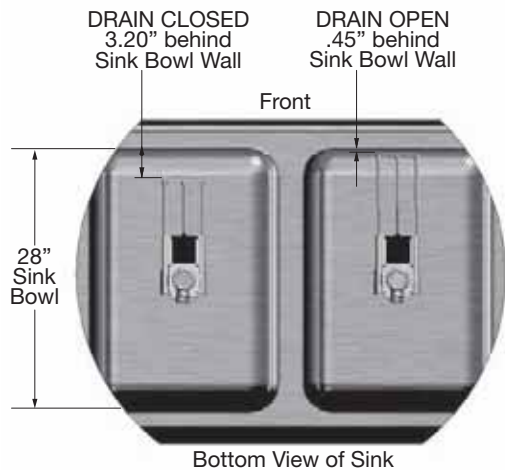
#### 20" Sink Length with 3" Handle Extension



#### 24" Sink Length with 3" Handle Extension



#### 28" Sink Length with 5" Handle Extension





## Parts and Repair Kits

Note: some individual items listed in parts kits may be ordered separately. Contact our customer service representatives for availability.

### B-5K B-0230 Faucet Repair Kit

- Parts include:
- 1 (015294-40) Right hand spindle
- 1 (015295-40) Left hand spindle
- 6 (000761-20) Removable seats
- 4 (000933-45) Seat screws
- 12 (000976-45) Washers
- 12 (009635-45) Bonnet washers
- 12 (002726-45) Washers
- 22 (009649-45) Seat washers
- 1 (010197-25) Big-Flo Bonnet Asy. includes:
  - 24 (001075-45) 'O'-rings
  - 12 (009752-45) Washers
  - 12 (009750-25) Dome packings



Note: used on B-0230 spindles prior to barrel type assemblies

### B-7K Master Parts Kit for Eterna Spindles

- Parts include:
- 12 (000788-20) Right hand Eterna inserts
- 6 (000789-20) Left hand Eterna inserts
- 12 (000811-25) Right hand spindle inserts
- 6 (000812-25) Left hand spindle inserts
- 6 (000718-25) Packing nuts
- 12 (000922-45) Lever handle screws
- 32 (000933-45) Seat washer screws
- 25 (002601-45) Top gaskets
- 32 (001092-45) Seat washers
- 25 (001022-45) Bottom gaskets
- 25 (001074-45) Swing nozzle 'O'-rings
- 50 (001098-45) Packings



### B-11K Eterna Cartridge Spindle Kit

- Parts include:
- 1 (000811-25) Right hand spindle insert
- 1 (000812-25) Left hand spindle insert
- 2 (000933-45) Seat washer screws
- 2 (009841-45) Seat washers



### B-13K Spring Check Spindle Assembly Kit

- Parts included:
- 1 (001907-25) Right hand spindle insert
- 1 (001908-25) Left hand spindle insert
- 2 (003164-45) Seat washer – spring check
- 2 (001479-45) Spring check spring



### B-6K Eterna Spindle Parts Kit

- Parts include:
- 1 (000788-20) Right hand Eterna insert
- 1 (000789-20) Left hand Eterna insert
- 1 (000811-25) Right hand spindle insert
- 1 (000812-25) Left hand spindle insert
- 4 (000933-45) Seat washer screws
- 10 (001022-45) Gaskets
- 12 (002601-45) Gaskets
- 22 (001092-45) Seat washers



### B-9K Lever Handle Kit

- Parts include:
- 1 (001637-45) Lever handle hot
- 1 (001636-45) Lever handle cold
- 1 (001661-45) Index button, red, cold
- 1 (001660-45) Index button, blue, cold
- 2 (000922-45) Lever handle screws



### B-12K B-1100 Spindle Parts Kit

- Parts include:
- 1 (000800-25) Right hand spindle
- 1 (000801-25) Left hand spindle
- 2 (000933-45) Screws
- 2 (009841-45) Seat washers



### B-17K Old Style B-0230 Spindle Kit

- Parts include:
- 1 (009194-25) Right hand spindle
- 1 (009195-25) Left hand spindle
- 2 (000933-45) Screws
- 2 (009649-45) Seat washers



Parts Kits continued on page C40

## Eterna and Cerama Cartridges and Push Button and Wrist-Action Metering Cartridges

Our longstanding Eterna spindle assemblies are the standard on many T&S faucets and fittings. Our Cerama cartridges are designed for water conservation and are included in many new T&S foodservice and plumbing models. Look for the “-CR” suffix on our model numbers.

### Eterna Cartridge

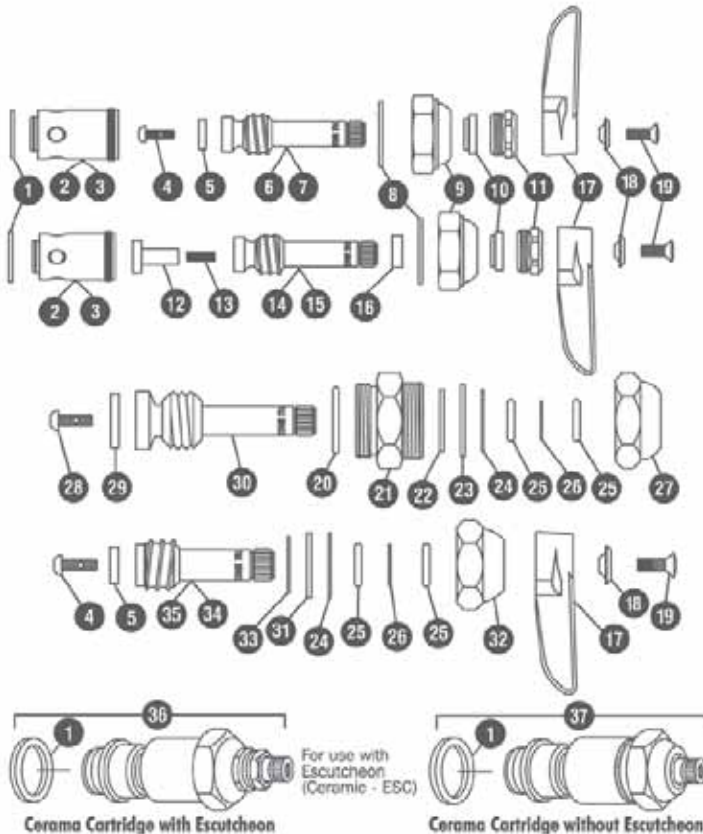
### Eterna Cartridge with Spring Check

### Big-Flo Assembly

### B-1100 Series

C  
38

### Ceramic Cartridges



#### For Standard Faucets

Ref. Part No. Hot Side 002714-40  
Cold Side 002713-40

#### For Standard Faucets – No Handle

Ref. Part No. Hot Side 005960-40  
Cold Side 005959-40

#### For Pre-Rinse Units

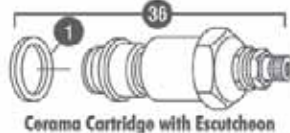
Ref. Part No. Hot Side 002712-40  
Cold Side 002711-40

#### For Pre-Rinse Units – No Handle

Ref. Part No. Hot Side 012443-40  
Cold Side 012442-40

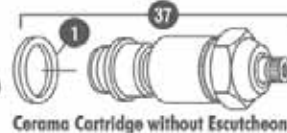
Ref. Part No. Hot and Cold Side  
006482-40

Ref. Part No. Hot Side 002710-40  
Cold Side 002709-40



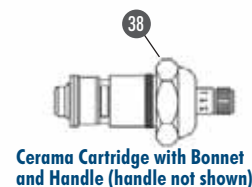
Cerama Cartridge with Escutcheon

For use with Escutcheon (Ceramic - ESC)

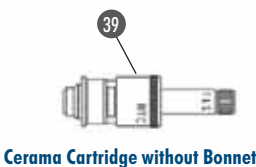


Cerama Cartridge without Escutcheon

For use without Escutcheon (Ceramic - NO ESC)



Cerama Cartridge with Bonnet and Handle (handle not shown)



Cerama Cartridge without Bonnet

#### Cerama Cartridge with Eterna Escutcheon Bonnet

|    |           |                       |
|----|-----------|-----------------------|
| 36 | 011616-25 | Hot                   |
|    | 011617-25 | Cold                  |
|    | 011618-25 | Hot with Check Valve  |
|    | 011619-25 | Cold with Check Valve |

#### Cerama Cartridge with Bonnet

|    |           |                       |
|----|-----------|-----------------------|
| 37 | 011278-25 | Hot                   |
|    | 011279-25 | Cold                  |
|    | 012394-25 | Hot with Check Valve  |
|    | 012395-25 | Cold with Check Valve |

#### Cerama Cartridge with Bonnet and Handle

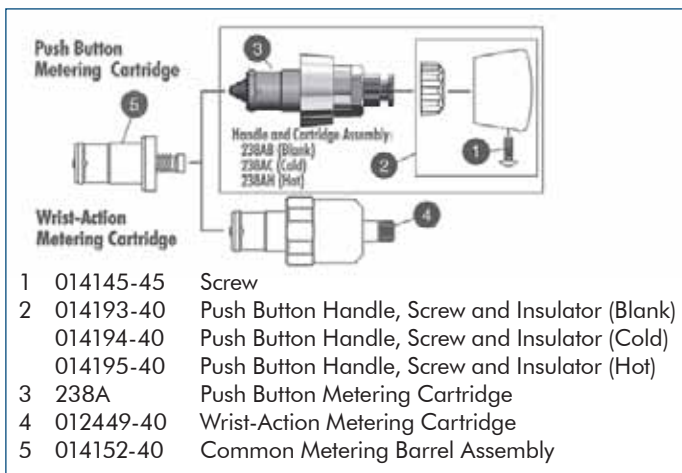
|    |           |                       |
|----|-----------|-----------------------|
| 38 | 012444-25 | Hot                   |
|    | 012445-25 | Cold                  |
|    | 012446-25 | Hot with Check Valve  |
|    | 012447-25 | Cold with Check Valve |

#### Cerama Cartridge without Bonnet

|    |           |                       |
|----|-----------|-----------------------|
| 39 | 011276-45 | Hot                   |
|    | 011277-45 | Cold                  |
|    | 011311-25 | Hot with Check Valve  |
|    | 011312-25 | Cold with Check Valve |

### 238A Push Button and Wrist-Action Metering Cartridges

See page C40 for metering cartridge repair kit (B-238RK)

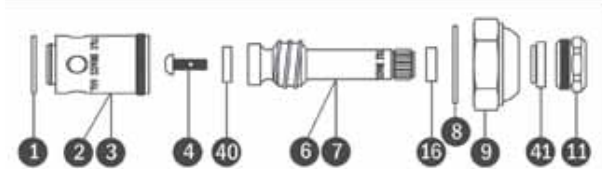


## Quarter-Turn Hot and Cold Spindle Assemblies

Quarter-turn spindle assemblies are designed for water conservation and are included in many new T&S foodservice and plumbing models. Look for the “-QT” suffix on our model numbers.

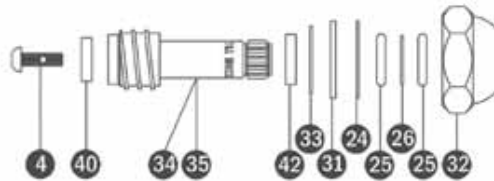


### Quarter-Turn Eterna Cartridge



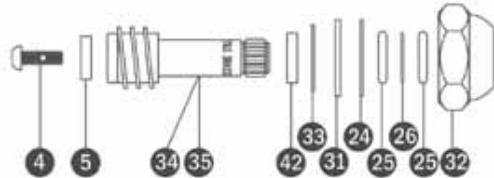
**Quarter-Turn Eterna**  
 Ref. Part No. Hot Side 006010-40QT  
 Cold Side 006009-40QT

### B-2346 Quarter-Turn Assembly



**B-2346 Quarter-Turn**  
 Ref. Part No. Hot Side 009423-40QT  
 Cold Side 009424-40QT

### B-2346 Quarter-Turn Assembly



**B-1100 Series Quarter-Turn**  
 Ref. Part No. Hot Side 009753-40QT  
 Cold Side 009754-40QT

|    |           |                             |    |           |                        |
|----|-----------|-----------------------------|----|-----------|------------------------|
| 1  | 001022-45 | Bottom Gasket               | 19 | 000922-45 | Lever Handle Screw     |
| 2  | 000788-20 | Removable Insert (Hot) 64L  | 20 | 002721-45 | 'O'-Ring               |
| 3  | 000789-20 | Removable Insert (Cold) 66L | 21 | 000685-20 | Removable Insert       |
| 4  | 000933-45 | Seat Screw                  | 22 | 000976-45 | Brass Washer           |
| 5  | 001092-45 | Seat Washer                 | 23 | 001042-45 | Rubber Washer          |
| 6  | 000811-25 | Spindle (Hot) 18L           | 24 | 002726-45 | Stainless Steel Washer |
| 7  | 000812-25 | Spindle (Cold) 67L          | 25 | 001075-45 | 'O'-Ring               |
| 8  | 002601-45 | Top Gasket                  | 26 | 009752-45 | Washer                 |
| 9  | 009744-45 | Bonnet                      | 27 | 009750-25 | Bonnet                 |
| 10 | 013430-45 | Bonnet Seal Packing         | 28 | 000933-45 | Seat Screw             |
| 11 | 000718-25 | Packing Nut                 | 29 | 001088-45 | Seat Washer            |
| 12 | 003164-45 | Spring Check Seat           | 30 | 000794-25 | Spindle (Hot and Cold) |
| 13 | 001479-45 | Spring                      | 31 | 001047-45 | Rubber Washer          |
| 14 | 001907-25 | Spindle (Hot) 264L          | 32 | 009749-25 | Bonnet                 |
| 15 | 001908-25 | Spindle (Cold) 263L         | 33 | 000986-45 | Brass Washer           |
| 16 | 001466-20 | Quarter-Turn Sleeve         | 34 | 000801-25 | Spindle (Cold)         |
| 17 | 001638-45 | Lever Handle, Blank         | 35 | 000800-25 | Spindle (Hot)          |
|    | 001637-45 | Lever Handle, Hot           |    |           |                        |
|    | 001636-45 | Lever Handle, Cold          | 40 | 001136-45 | Teflon Washer          |
| 18 | 001661-45 | Index, Red, Hot             | 41 | 001098-45 | Bonnet Washer          |
|    | 001660-45 | Index, Blue, Cold           | 42 | 018163-20 | Washer                 |



**Quarter-Turn Spindle Assemblies**

## Parts and Repair Kits

Note: some individual items listed in parts kits may be ordered separately. Contact our customer service representatives for availability.

### B-19K Four Arm Handle Kit – Kitchen

- Parts include:
- 2 (002521-45) Four arm handles
- 2 (000922-45) Handle screws
- 1 (001661-45) Index button, red, hot
- 1 (001660-45) Index button, blue, cold



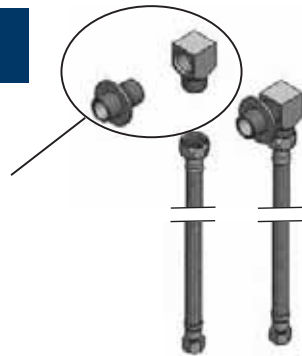
### B-20K B-1100 Faucets Parts Kit

- Parts include:
- 1 (000800-25) Right hand spindle
- 1 (000801-25) Left hand spindle
- 4 (000933-45) Seat washer screws
- 2 (000986-45) Bonnet washers
- 2 (002726-45) Bonnet washers, st. steel
- 2 (001074-45) 'O'-rings
- 4 (009841-45) Seat washers
- 2 (009637-45) Bonnet washers
- 4 (010196-25) B-1100 Bonnet Asy. (includes 'O'-Rings and Washer)



### B-0230-KIT Parts Kit

- Parts included:
- 2 1/2" inlet shanks and close elbows –inlet assembly kit (2 sets per kit)
- 1 24" flexible supply hose (two sets per kit)



### B-238RK 238A Metering Cartridge Repair Kit

- Parts included (for Push Button, Wrist Action and Pivot Action):
- 1 (010150-45) Top washer
- 1 (017182-45) Bottom seal filter washer
- 1 (009391-45) 'O'-ring
- 1 (012596-45) Bottom stem seal



### B-23K Spring Check Spindle Assembly Replacement Kit

- Parts include:
- 1 (002711-40) Left hand Eterna spindle with spring check
- 1 (002712-40) Right hand Eterna spindle with spring check

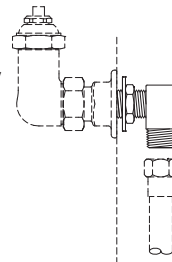


### B-39K Waste Valve Repair Kit

- Parts included:
- 1 3-1/2" Head gasket
- 1 3" Head gasket
- 1 Plunger 'O'-ring
- 1 Outlet coupling washer
- 1 Drain bushing
- 1 Twist handle washer
- 1 Twist handle 'O'-Ring
- 1 Twist handle 'C'-ring
- 1 Lever handle bushing

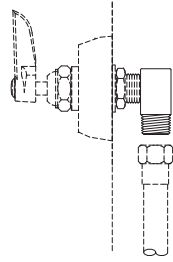
### B-0230-K Parts Kit

- Includes:
- 1/2" NPT Supply nipple, lock nut and washer
- 1/2" NPT Male x Female short EL



### B-1100-K Parts Kit

- Includes:
- 1/2" NPT Male x Female short EL



### B-0466 Wall Mount Faucet Adapter For T&S Faucet To Chicago/Zurn Inlets

- Parts included:
- (2) Faucet adapters, includes (1) santoprene seal and (1) nitrile or EPDM seal per assembly
- 1-3/8" (35 mm) swivel hex nut with internal threads to fit T&S body
- Threads fit Chicago and Zurn inlet flanges



### B-0467 Wall Mount Faucet Adapter For T&S Faucet To Fisher Inlets

- Parts included:
- (2) Faucet adapters, includes (2) santoprene seals per assembly (one each end)
- 1-3/8" (35 mm) swivel hex nut with internal threads to fit T&S body
- Threads fit Fisher inlet flanges



D

## Institutional, Medical and Lab Products



RELIABILITY BUILT IN™



# G-10 General Product Catalog

## Table of Contents



### Institutional, Medical and Lab Products – D

#### Single Lever Faucets ..... D4-5

- Single Lever Faucets, Deck and Side Mount, Centerset, Swivel and Rigid Gooseneck Assemblies

#### ChekPoint™ Electronic Faucets ..... D6-12

- ChekPoint™ Electronic Sensor Faucets, Deck, Wall and Side Mount, Rigid Gooseneck and Cast Spout Assemblies

**NEW MODELS!** Electronic Faucets D8-10

#### Medical and Lavatory Faucets .....D13-27

- Medical Lavatory Faucets with or without Adjustable Centers D13-15, 19-20
- Centerset Faucets with or without Pop-Up Assembly D16-18, 21
- Pivot Action Metering Valve Faucets D22-23
- Slow Self-Closing Metering Faucets D23-25
- NEW!** Wrist Action Metering Faucets D26
- Surgical Sink Faucets D27

#### Pedal Valves, Dummy Goosenecks and Bubblers .....D28-31

- Single and Double Pedal Valves D28-29
- Knee Valves D29
- Dummy Goosenecks D30-31
- Bubblers D31

#### Service Sink and Sill Faucets ..... D33-40

- Service Sink Faucets with Vacuum Breakers D33-38
- Service Sink Faucets with Built-In Stops D33-38
- Service Sink Faucet Accessories D39
- Sill and Heavy Duty Sink Faucets D39-40

#### Medical Bedpan Washers ..... D41-43

#### Bath and Shower ..... D44-49

- Bath and Shower Combinations D48
- Concealed Bypass Mixing Valves D44
- Concealed Single Valves D44
- Accessories and "Shower Queen" Personal Spray Assemblies D45, 48-49

**NEW!** Pressure Balancing Shower Valves D3, 46-47

#### Vacuum Breaker Assemblies ..... D50

#### Laboratory Products ..... D51-64

- Lab Hose Cocks and Turrets D51-53
- Panel Flanges D53
- Stops D53
- Remote Control Valve Units D54
- Fume Hood Fittings D54
- Fittings, Support Rods and Accessories D55-56
- Lab Faucets, Double and Single Ledge, Combination Faucets, Single Temperature Faucets and Lab Accessories D56-64

#### Stops and Supplies ..... D64-65

- Straight and Angle Loose Key Stops

#### Parts Kits ..... D65-67

#### Faucet Fittings ..... D68-78

- Nozzles, Goosenecks, Spouts, Aerators, Outlets, Handles, Conversion Adapters, Quick-Connections, Supplies, Risers and Connectors, Inlets, Inlet Extensions, Outlets and Wall Hooks
- NEW!** Low Flow Aerators/Outlets D72-73

#### Water Conservation Models ..... D79-84

- The T&S Commitment to Water Conservation
- T&S Water-Saving Plumbing Models
- Low Flow Aerators and Outlets
- Water Conservation Products – Definitions and Use

#### NOTE:

A comprehensive Index By Model or Part Number and Page can be found in the G-10 General Product Catalog "Master Index" section (IN).



**RELIABILITY BUILT IN™**



## T&S Brass is Pleased To Introduce *Our Extended Line of High-Quality Shower Valve Products*

When you choose a **T&S Brass** product, you know you've chosen one with **Reliability Built In™**.

We are pleased to present our new Pressure Balancing Shower Valve product line which includes various combinations of products to meet your specific needs:

- A solid brass *Pressure Balancing Shower Valve*, along with a selection of trims and other components
- 2.5 GPM *Shower Head*
- Solid brass *Tub Spout*
- Removable *Hand-held Spray* with flow control adjustment (from 0.5 GPM to 2.0 GPM)

Our Pressure Balancing Shower Valve features a solid brass

construction with replaceable ceramic cartridge, integral supply stops, 1/2" sweat connections and adjustable temperature limit stop. In addition to these features, it is ASSE 1016 Listed and ADA Compliant. It can be ordered alone for rough-in applications. The trim kit and other components can also be ordered separately to suit your installation requirements.

Related Shower Valve products include:

- Solid brass *Tub Spout with Diverter Lift Knob* in a polished chrome finish
- *Ceramic Cartridge* with rotary actuation and adjustable temperature limit stop
- Polished chrome 2.5 GPM *Shower Head*
- Polished chrome *Rotary Handle*
- Polished chrome *Faceplate* with screws and gasket



**Pressure Balancing Shower Valve B-3204-PBV**

Check out our **NEW B-3300 Series Pressure Balancing Shower Valve Assemblies**, now with threaded connections!

See pages D46-47 for more information about these new models

**B-3200**



*Models available:*

|                   |  |
|-------------------|--|
| <b>B-3200</b>     | Pressure balancing shower valve, 2.5 GPM shower head and tub spout   |
| <b>B-3201</b>     | Pressure balancing shower valve and 2.5 GPM shower head  |
| <b>B-3204</b>     | Pressure balancing shower valve with trim plate and handle   |
| <b>B-3204-PBV</b> | Pressure balancing shower valve only   |
| <b>B-3205</b>     | Pressure balancing shower valve and hand-held spray assembly   |
| <b>B-3206</b>     | Includes B-3201 shower valve/shower head, B-1097 diverter valve and B-0925 Shower Queen spray assembly with grab bar |
| <b>B-3206-VB</b>  | Includes B-3206 and a B-0970-VB attached to Shower Queen hose  |

**NEW!**

*Spare Parts and Accessories:*

|                  |  |
|------------------|--|
| <b>017439-45</b> | Solid brass tub spout with diverter lift knob, polished chrome finish      |
| <b>017441-45</b> | Ceramic cartridge, rotary actuation with adjustable temperature limit stop |
| <b>017442-45</b> | Polished chrome shower head with ball joint, arm and wall flange assembly  |
| <b>017443-45</b> | Polished chrome rotary handle  |
| <b>017444-45</b> | Polished chrome face plate with screws and gasket                          |

T&S Brass and Bronze Works, Inc.  
[www.tsbrass.com](http://www.tsbrass.com)

2 Saddleback Cove • P.O. Box 1088  
Travelers Rest, SC 29690  
Phone 864.834.6715 • Fax 864.834.3518

# Single Lever Faucets

## Single Lever Faucets

NEW MODELS!



All models have: • Temperature limit stops • Ceramic Cartridge with 2-year warranty

### B-2711 Single Lever Faucet

- Forged brass body
- 4" (152 mm) centerset faucet
- 4" (152 mm) handle
- 1/2" NPSM male inlet shanks
- 2.2 GPM aerator



- B-2710** Same as B-2711 except with pop-up drain assembly
- B-2710-LH** Same as B-2710 except with 6" (152 mm) long handle
- B-2711-LH** Same as B-2711 except with 6" (152 mm) long handle
- B-2710-WS** Same as B-2710 except with low-flow aerator (1.5 GPM)
- B-2711-WS** Same as B-2711 except with low-flow aerator (1.5 GPM)
- B-2710-F05** Same as B-2710 except with non-aerated spray device (0.5 GPM)
- B-2710-VF05** Same as B-2710 except with vandal-resistant non-aerated spray device (0.5 GPM)
- B-2711-F05** Same as B-2711 except with non-aerated spray device (0.5 GPM)
- B-2711-VF05** Same as B-2711 except with vandal-resistant non-aerated spray device (0.5 GPM)

### B-2741 Single Lever Faucet

- Single lever side mount base faucet
- Rigid gooseneck assembly with B-0199-07 aerator
- Two (2) 17" long flexible supply hoses with 3/8" compression fittings



### B-2743 Single Lever Faucet

- Single lever side mount base faucet
- Swivel gooseneck assembly with B-0199-06 aerator
- Two (2) 17" long flexible supply hoses with 3/8" compression fittings
- Integral diverter for water flow through sidespray or gooseneck



### B-2730 Single Lever Mixing Faucet

- Forged brass body
- 4' (.9 m) sidespray and hose
- 9" swivel spout
- 16" long flexible supply hoses with 3/8" compression fittings
- Chrome plated deckplate



- B-2730-07** Same as B-2730 except with 7' hose on sidespray
- B-2730-3H** Same as B-2730 except with 4' hose on sidespray
- B-2730-LH** Same as B-2730 except with 6" (152 mm) long handle
- B-2730-WS** Same as B-2730 except with low-flow aerator (1.5 GPM)
- B-2731** Same as B-2730 except less sidespray
- B-2731-LF15** Same as B-2731 except with vandal-resistant laminar flow device (1.5 GPM)
- B-2731-LH** Same as B-2711 except with 6" (152 mm) long handle
- B-2731-VF05** Same as B-2731 except with vandal-resistant spray device (0.5 GPM)
- B-2731-WS** Same as B-2730 except with low-flow aerator (1.5 GPM)

### B-2742 Single Lever Faucet

- Single lever side mount base faucet
- Swivel gooseneck assembly with B-0199-06 aerator
- Two (2) 17" long flexible supply hoses with 3/8" compression fittings



- B-2742-A22** Same as B-2742 except with aerator (2.2 GPM)
- B-2742-LF05** Same as B-2742 except with aerator (0.5 GPM)
- B-2742-LH** Same as B-2742 except with long handle

### B-2744 Single Lever Faucet

- Single lever side mount base faucet
- Rigid gooseneck assembly with B-0199-06 aerator
- Two (2) 17" long flexible supply hoses with 3/8" compression fittings
- Integral diverter for water flow through sidespray or gooseneck



# Single Lever Faucets



## Single Lever Faucets

NEW MODELS!

- All models have:
- Temperature limit stops
  - Ceramic Cartridge with 2-year warranty



### B-2701 Single Lever Faucet

- Single lever faucet with rigid base
- Ceramic cartridge with temperature limit adjustment
- 2.2 GPM aerator
- 3/8" compression female flexible stainless steel supplies



- B-2701-AR** Same as B-2701 except with vandal-resistant aerator  
**B-2701-VF05** Same as B-2701 except with vandal-resistant non-aerated spray device (0.5 GPM)  
**B-2701-VR** Same as B-2701 except vandal-resistant aerator (2.2 GPM)

### B-2703 Single Lever Faucet

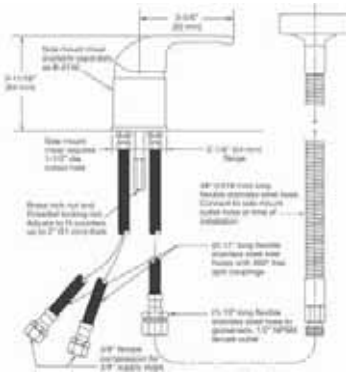
- Single lever faucet with rigid base
- 6" deck plate (4" c/c)
- Ceramic cartridge with temperature limit adjustment
- 2.2 GPM aerator
- 3/8" compression female flexible stainless steel supplies



- B-2703-LF15** Same as B-2703 except with laminar flow device (1.5 GPM)  
**B-2703-VF05** Same as B-2703 except with vandal-resistant non-aerated spray device (0.5 GPM)

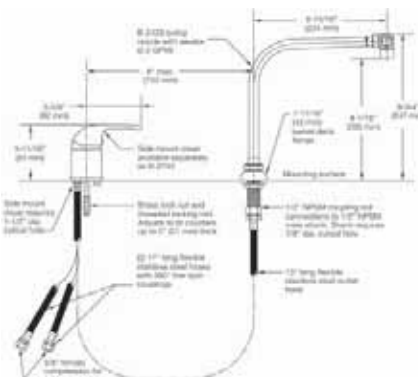
### B-2745 Side Mount Faucet

- Side mount mixing faucet with B-2740 side mount base
- B-1000 48" flexible stainless steel hose and spray assembly



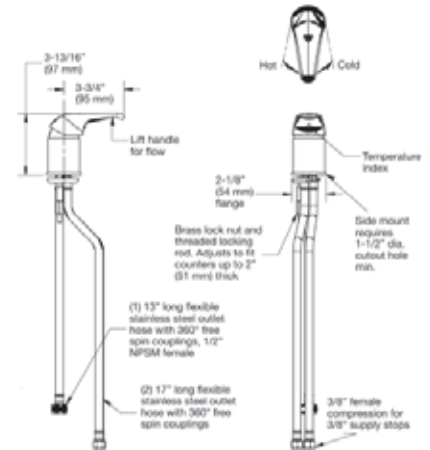
### B-2746 Side Mount Faucet

- Side mount faucet with single lever base mixing faucet
- 3/8" compression female flex stainless steel supplies
- B-2403 swing nozzle with aerator (2.2 GPM)



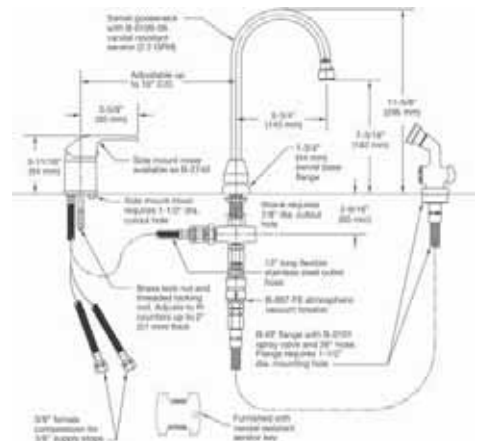
### B-2740 Side Mount Faucet

- Side mount faucet with remote on/off control base
- Flexible stainless steel water connectors



### B-2749 Side Mount Faucet with Remote Control Base

- Side mount mixing faucet with remote control base
- 3/8" compression female flex stainless steel supplies
- Swivel gooseneck with vandal-resistant aerator (2.2 GPM)
- Under the counter vacuum breaker (B-0970-FE) on hose
- Countertop mounted spray valve (B-0101) with 38" stainless steel hose (under the counter)



Introducing...



## Our Extended Line of ChekPoint™ Electronic Faucets

There are many more options to choose from with our water-saving T&S ChekPoint™ Electronic Sensor Faucets!

Along with ease of installation and a convenient AC/DC control module, new options are available to customize ChekPoint faucets:

**NEW!**

- -HG Hydro-generator option (all models)
- -LF22 2.2 GPM vandal-resistant laminar flow option (all models)
- -LF05 0.5 GPM vandal-resistant laminar flow option (all models)
- -LN Less nozzle option (EC-3100, EC-3101 faucet bodies)
- -SB Surgical Bend Gooseneck option (EC-3100, EC-3101)
- -SM Side-mount option (EC-3100, EC-3102)
- -SMT Side mount with thermostatic valve option (EC-3100, EC-3102)
- -TMV Below deck thermostatic mixing valve option (all models)


Our EC-3100 deck-mounted or EC-3101 back splash-mounted models allow you to specify any T&S rigid gooseneck you require.

Our EC-HARDWIRE and EC-EASYWIRE allow you to gang up to eight ChekPoint faucets while using only one power supply.

Our EC-3106 Electronic Faucet has a unique dual mode feature allowing for either electronic or manual operation.

## ChekPoint Faucets – Reliable By Design

### Standard Features

- Hands-free washing greatly reduces risk of contamination
- Sensor-operated faucets conserve water
- Water-resistant circuit control module
- Each model comes with the convenience of electric plug-in (AC) and battery (DC) power options
- ADA-compliant 
- Adjustable temperature control mixing valve
- Proven electronic technology
- Adjustable automatic time-out feature
- Adjustable water shut-off delay
- Chrome plated brass
- Troubleshooting LED indicator lights
- Scratch-resistant sensor lens
- Filtered solenoid valve with serviceable strainer filter
- Modular quick-release sensor connections
- Low battery indicator light
- Pre-assembled with appropriate mounting hardware included
- Vandal-resistant aerators (2.2 GPM)
- Check valves for cross-flow prevention in all models
- Requires no sealants for easy installation

EC-3100  
Deck-mounted  
gooseneck

EC-3101  
Back splash-mounted  
gooseneck

EC-3102  
Deck-mounted  
cast spout

EC-3103  
Deck-mounted  
cast spout

**NEW!**  
EC-3106  
Deck-mounted  
cast spout

**NEW!**  
EC-3122 (right)  
Deck-mounted  
cast spout

**NEW!**  
EC-3100-LF22-SB  
Deck-mounted  
surgical bend  
gooseneck

## Chekpoint™ Electronic Sensor Faucets

NEW MODELS!



All models have: • 2.2 GPM vandal resistant aerator

• AC/DC control module (electric plug-in and battery)

### EC-3100 Electronic Faucet



- Deck-mounted gooseneck
- Height: 11-1/4" (286 mm)
- Spread: 4-1/8" (105 mm)
- Clearance: 7-5/16" (185 mm)

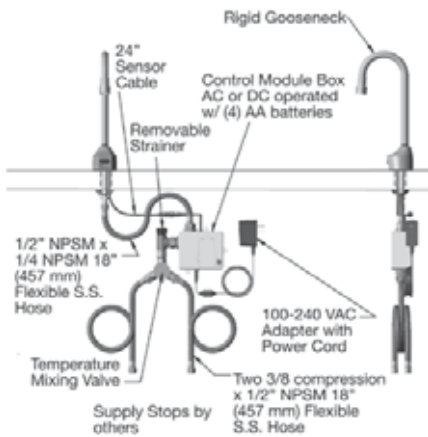
- EC-3100-120X** Same as EC-3100 except with 5-1/2" spread gooseneck
- EC-3100-LF22** Same as EC-3100 except with 2.2 GPM laminar flow vandal resistant aerator
- EC-3100-LN** Same as EC-3100 except without gooseneck and aerator
- EC-3100-VF05** EC-3100 faucet with 0.5 GPM vandal-resistant spray device



### EC-3101 Electronic Faucet

- Wall-mounted cast spout
- Height: 11" (280 mm)
- Spread: 4-1/8" (104 mm)
- Clearance: 5-9/16" (141mm)

- EC-3101-LF22** Same as EC-3101 except with 2.2 GPM laminar flow vandal resistant aerator
- EC-3101-LN** Same as EC-3101 except without gooseneck and aerator
- EC-3101-VF05** EC-3101 faucet with 0.5 GPM vandal-resistant spray device

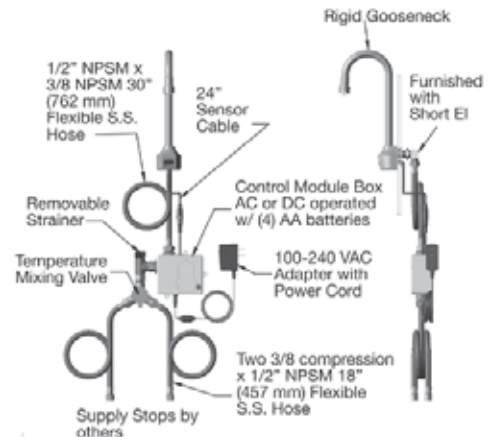


To order the standard CheckPoint™ Sensor Faucet models to include the hydro-generator (add -HG):

- EC-3100-HG**    **EC-3101-HG**
- EC-3102-HG**    **EC-3103-HG**
- EC-3106-HG**

To order the standard CheckPoint™ Sensor Faucet models to include the thermostatic mixing valve (add -TMV):

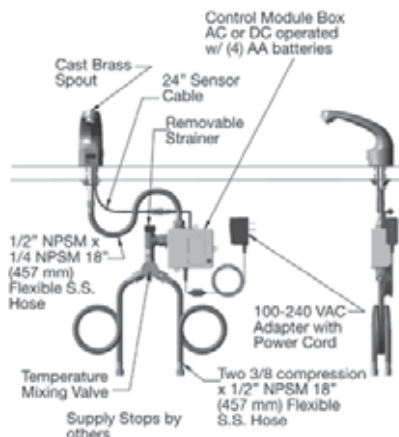
- EC-3100-TMV**
- EC-3101-TMV**
- EC-3102-TMV**
- EC-3103-TMV**
- EC-3106-TMV**



### EC-3102 Electronic Faucet

- Deck-mounted cast spout
- Height: 5-1/16" (129 mm)
- Spout length: 4-7/8" (124 mm)
- Clearance: 4-1/16" (103 mm)

- EC-3102-LF22** Same as EC-3102 except with 2.2 GPM laminar flow vandal-resistant aerator
- EC-3102-VF05** EC-3102 faucet with 0.5 GPM vandal-resistant spray device



**EC-3103  
and  
EC-3106  
Electronic  
Faucets**  
(on next page)



## ChekPoint™ Electronic Sensor Faucets

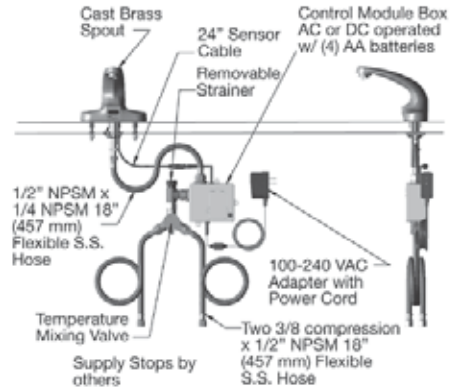


All models have: • 2.2 GPM vandal resistant aerator • AC/DC control module (electric plug-in and battery)

### EC-3103 Electronic Faucet

- Deck-mounted cast spout
- Height: 5-1/16" (129 mm)
- Spout length: 4-7/8" (124 mm)
- Clearance: 4-1/16" (103 mm)

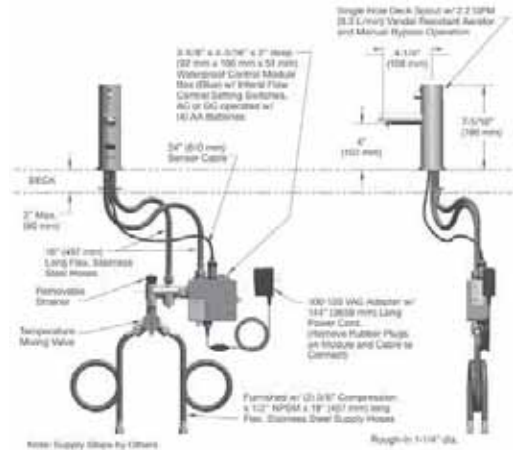
**EC-3103-LF22** Same as EC-3103 except with 2.2 GPM laminar flow vandal resistant aerator  
**EC-3103-VF05** EC-3103 faucet with 0.5 GPM vandal-resistant spray device



### EC-3106 Electronic Faucet with Manual Override

- Chrome plated brass single hole deck-mounted electronic sensor faucet
- Cast spout with 2.2 GPM (8.3 LPM) vandal-resistant aerator and manual bypass operation
- Modular assembly for easy installation (Note: supply stops to be supplied by others)
- AC/DC waterproof control module box with serviceable strainer filter
- (2) 3/8" compression, 18" (457 mm) long flexible stainless steel hot and cold water supply hoses
- Check valve assembly for crossflow prevention
- Hands-free washing reduces risk of contamination and saves water

**EC-3106-VF05** EC-3106 faucet with 0.5 GPM vandal-resistant spray device



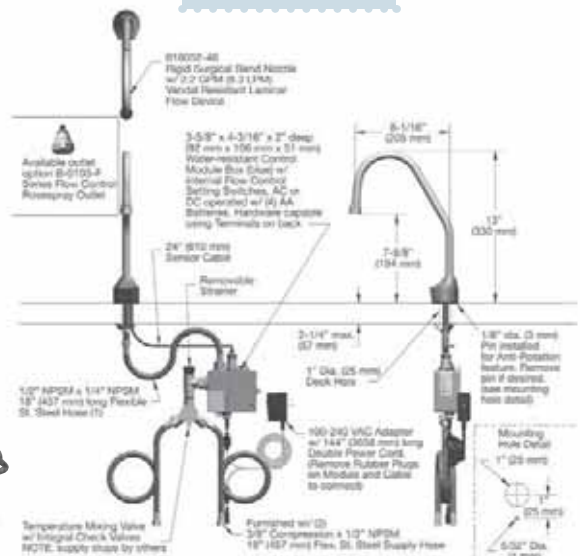
### EC-3100-LF22-SB Electronic Faucet

- Chrome plated brass single hole deck-mounted electronic sensor faucet
- Surgical bend rigid gooseneck with 2.2 GPM (8.3 LPM) laminar flow vandal-resistant aerator
- Modular assembly for easy installation (Note: supply stops to be supplied by others)
- AC/DC waterproof control module box with serviceable strainer filter
- (2) 3/8" compression, 18" (457 mm) long flexible stainless steel hot and cold water supply hoses
- Check valve assembly for crossflow prevention
- Hands-free washing reduces risk of contamination and saves water

**EC-3101-LF22-SB** Same as EC-3100-LF22-SB except with EC-3101 faucet body



### NEW MODEL!



## ChekPoint™ Electronic Sensor Faucets with Above Deck Electronics and Temperature Control

NEW MODELS!

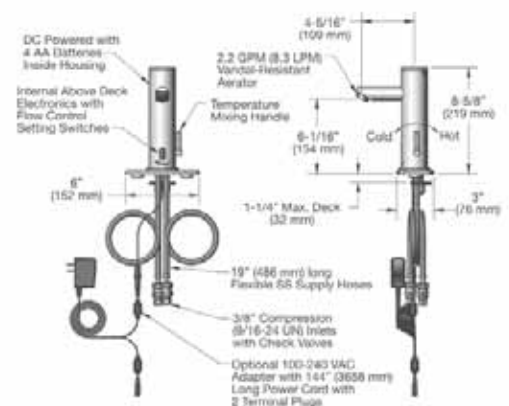


### EC-3122 Electronic Faucet

- Chrome plated brass single hole deck-mounted electronic sensor faucet
- Above deck electronics for easy installation and maintenance
- Chrome plated brass body (AB1953 compliant)
- Temperature mixing handle
- Modular assembly for easy installation (Note: supply stops to be supplied by others)
- (2) 3/8" compression, 19" (483 mm) long flexible stainless steel hot and cold water supply hoses
- 2.2 GPM vandal-resistant aerator
- Check valve assembly for crossflow prevention
- AC/DC power option
- Hands-free washing reduces risk of contamination and saves water



A recommended 2012 Money-Saving Product in BUILDINGS magazine



### EC-3122-4DP and EC-3122-8DP Electronic Faucets

- EC-3122-4DP:**
- EC-3122 ChekPoint Electronic Sensor Faucet with 4" (152 mm) forged brass deck plate with 1-1/2" center hole
- EC-3122-8DP (shown below):**
- EC-3122 ChekPoint Electronic Sensor Faucet with 8" (305 mm) forged brass deck plate with 1-1/2" center hole

### EC-3122-HG Electronic Faucet

- EC-3122 ChekPoint Electronic Sensor Faucet with EC-HYDROGEN hydro-generator

### EC-3122-VF05 Electronic Faucet

- EC-3122 ChekPoint Electronic Sensor Faucet with 0.5 GPM vandal-resistant aerator

## EC-3122 ChekPoint™ Electronic Sensor Faucet Accessories and Parts

### EC-3122 ChekPoint Sensor Faucet Options

|              |  |
|--------------|--|
| EC-3122      | ChekPoint Electronic Faucet, Single Hole Deck Mount, Above Deck Electronics and Temp Control                   |
| EC-3122-4DP  | ChekPoint Electronic Faucet, Single Hole Deck Mount, 4" Deck Plate, Above Deck Electronics, Temp Control       |
| EC-3122-8DP  | ChekPoint Electronic Faucet, Single Hole Deck Mount, 8" Deck Plate, Above Deck Electronics, Temp Control       |
| EC-3122-HG   | ChekPoint Electronic Faucet, Single Hole Deck Mount, Above Deck Temp Control, EC-Hydrogen                      |
| EC-3122-VF05 | ChekPoint Electronic Faucet, Single Hole Deck Mount, Above Deck Temp Control, 0.5 GPM Vandal-resistant Aerator |

### ChekPoint Sensor Faucet Accessories and Replacement Parts

|           |   |
|-----------|---|
| 018227-45 | Battery Holder for EC-3122 ChekPoint Electronic Sensor Faucet |
| 018230-45 | Temperature Control Handle with Screw, EC-3122                |
| 018232-45 | Check Valve Adapter Assembly, EC-3122                         |
| 018233-45 | Mounting Hardware Kit, EC-3122                                |
| 018160-40 | Cap for EC-3122 Chekpoint Electronic Sensor Faucet            |

NEW MODELS!



EC-3122-8DP

## ChekPoint™ Electronic Faucets with Side Mount Faucet

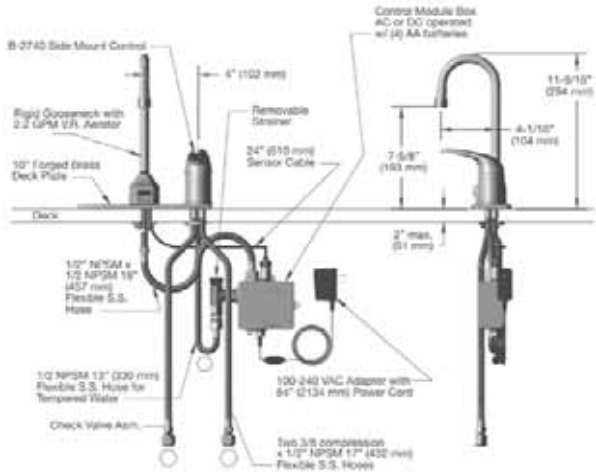
All models have: • 2.2 GPM vandal resistant aerator • AC/DC control module (electric plug-in and battery)

### EC-3100-SM Side Mount Faucet



NEW MODELS!

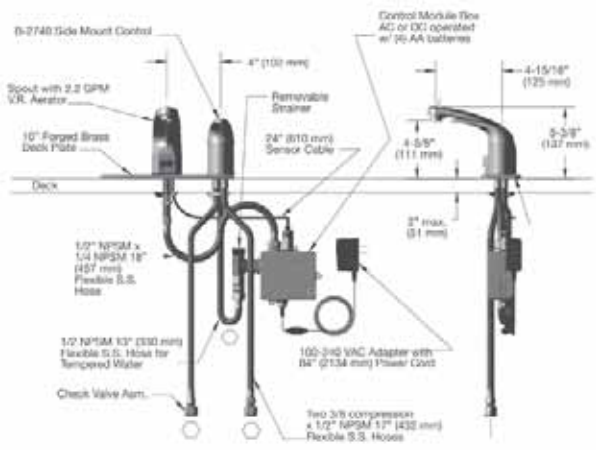
- EC-3100 chrome plated brass deck mounted gooseneck electronic sensor faucet, mounted 4" C/C with B-2740 single lever side mount control faucet
- B-2740 side mount faucet regulates water temperature and "on/off" setting (Note: Side mount control should remain in "OPEN" position for proper operation of sensor faucet)
- Rigid gooseneck with 2.2 GPM vandal-resistant aerator
- Modular assembly for easy installation (Note: supply stops to be supplied by others)
- 10" forged deck plate
- AC/DC waterproof control module box with serviceable strainer filter
- (2) 3/8" compression, 17" (432 mm) long flexible stainless steel hot and cold water supply hoses
- Check valve assembly for crossflow prevention
- Hands-free washing reduces risk of contamination and saves water



**EC-3100-5M-4DP** Same as the EC-3100 except with a 6" (152 mm) forged brass deck plate

### EC-3102-SM Side Mount Faucet

- EC-3102 chrome plated brass deck mounted cast spout electronic sensor faucet, mounted 4" C/C with B-2740 single lever side mount control faucet
- B-2740 side mount faucet regulates water temperature and "on/off" setting (Note: Side mount control should remain in "OPEN" position for proper operation of sensor faucet)
- Cast spout with 2.2 GPM vandal-resistant aerator
- Modular assembly for easy installation (Note: supply stops to be supplied by others)
- 10" forged deck plate
- AC/DC waterproof control module box with serviceable strainer filter
- (2) 3/8" compression, 17" (432 mm) long flexible stainless steel hot and cold water supply hoses
- Check valve assembly for crossflow prevention
- Hands-free washing reduces risk of contamination and saves water



D  
10

## ChekPoint™ Electronic Faucets and Deck Plates

### Electronic Faucet Deck Plate Part Numbers

- To add a deck plate to an existing ChekPoint Electronic Faucet, order with these part numbers for each EC- faucet model

| EC-models | 4" Deck Plate | 8" Deck Plate |
|-----------|---------------|---------------|
| EC-3100   | 013433-40     | 013434-40     |
| EC-3101   | 013433-40     | 013434-40     |
| EC-3102   | 013433-40     | 013434-40     |
| EC-3103   | n/a           | n/a           |
| EC-3106   | 013433-40     | 013434-40     |
| EC-3122   | 018282-40     | 018507-40     |



## EC-HYDROGEN Hydro-Generator Accessory For ChekPoint™ Faucets

- Hydro-generator with 1/2 NPSM male inlet and outlet threads
- Accessory for all ChekPoint™ electronic sensor faucets
- Includes generator, (1) 1/2 NPSM swivel coupling
- 71" (1800 mm) power cord with male plug to connect to control module
- Average estimated lifespan for EC-HYDROGEN is ten years (estimate based on 1 million cycles in lab testing; individual results may differ)



To order the standard ChekPoint™ Sensor Faucet models to include the hydro-generator (add -HG):

- EC-3100-HG**    **EC-3101-HG**
- EC-3102-HG**    **EC-3103-HG**
- EC-3106-HG**

## EC-TMV Thermostatic Mixing Valve

- Thermostatic mixing valve with 1/2" NPSM male fittings
- Tested and certified to ASSE 1070
- Integral check valves built into hot and cold inlets
- Tamper resistant temperature limit stop prevents water from exceeding 120° F (concealed under knob)
- Can be added to any ChekPoint™ faucet; specify with -TMV suffix

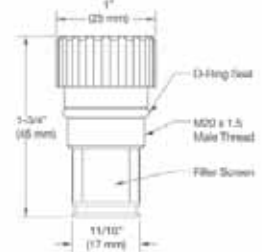


To order the standard ChekPoint™ Sensor Faucet models to include the thermostatic mixing valve (add -TMV):

- EC-3100-TMV**
- EC-3101-TMV**
- EC-3102-TMV**
- EC-3103-TMV**
- EC-3106-TMV**

## EC-FILTER Electronic Faucet

- Replacement filter for ChekPoint™ control module



### NEW INSTALLATION OPTIONS!



- Gang-install up to eight faucets to one power supply, saving installation time and money!
- Available for EC-3100, EC-3101, EC-3102 and EC-3103 Series Electronic Faucets

## EC-EASYWIRE ChekPoint™ Installation Kit

- 100-240 VAC Plug-in transformer
- 76" long power cord
- Allows up to eight (8) electronic ChekPoint faucets to be ganged to a single power jack
- Requires one EC-EASYWIRE4CC connector per faucet
- Compliant with CEC Appliance Efficiency Regulations CEC-400-2007-016-REV1



## EC-EASYWIRE4CC ChekPoint™ Installation Kit

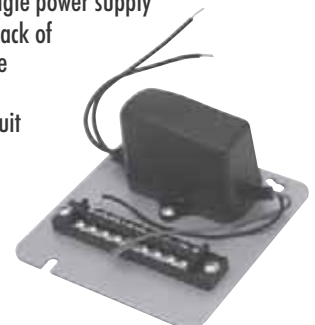
- 4' connector cables for EasyWire AC transformer connections in a daisy chain circuit
- One EC-EASYWIRE4CC connector is needed for each additional faucet in chain

## EC-EASYWIRE5EXT ChekPoint™ Installation Kit

- 5' extension cables when additional cable length is needed for connections

## EC-HARDWIRE ChekPoint™ Installation Kit

- Electronic AC transformer, input 100-240 VAC, 47-63 Hz
- Terminal block allows you to hardwire up to eight (8) ChekPoint faucets to a single power supply
- Connect to terminals on back of ChekPoint Control Module
- Mounting plate serves as lid for standard size conduit box (box not included)
- Note: wiring supplied by others





RELIABILITY BUILT IN™

Introducing the T&S Brass



# EC-Hydrogen Series ChekPoint™ Electronic Sensor Faucets with Hydro-Generator

**Imagine a faucet which generates and stores its own power through the flow of water, without needing AC or DC back-up!**

Our ChekPoint™ Electronic Sensor Faucets – the EC-3100, EC-3101, EC-3102, EC-3103 and EC-3106 series – can all be ordered or easily modified with a hydro-generator – an EC-HYDROGEN Kit. It is one of three power options for the T&S Brass ChekPoint™ product line.

The kit includes a female-to-female 1/2 NPSM swivel adapter, a hydro-generator with 1/2 NPSM inlet and outlet and attached power cord for connection to the existing sensor faucet control module. The use of the T&S ChekPoint™ EC-HYDROGEN and/or T&S ChekPoint™ Electronic Faucets may help qualify towards credits for LEED certification.

## Operation

Imagine having a self-sustaining power source for your ChekPoint™ sensor faucets and no longer needing to rely on batteries or transformers. Hydroelectric power – energy harnessed from moving water – is a form of renewable energy.

Using this principle, our hydro-generator produces energy to power our ChekPoint™ sensor faucets. Water enters the hydro-generator and passes by a turbine causing it to rotate. The hydro-generator uses part of this rotational energy to power the sensor faucets. The remaining energy generated is saved and stored in the hydro-generator for later use. Minimal use of the hydro-generator (5 seconds of usage three times a day at 1 GPM at 60 PSI) is sufficient to accommodate consumed energy and generate and store energy. However, the unit can store power for up to eight months with no cycling.

The average estimated lifespan for EC-Hydrogen is ten years (estimate based on 1 million cycles in lab testing; individual results may differ).

SAVE ENERGY WATER MONEY

EC-3101

EC-3100

NEW!  
EC-3100-LF22-SB

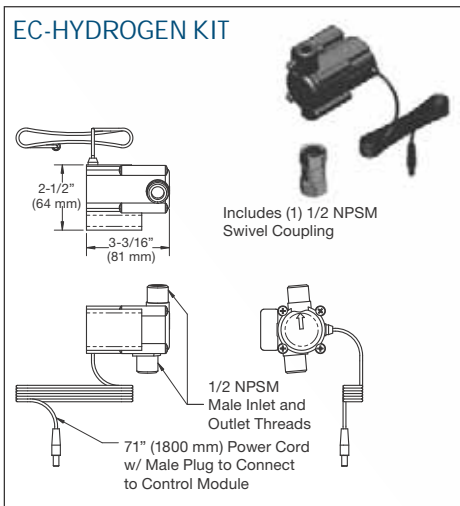
EC-3102

EC-3103

EC-3102-HG

NEW!  
EC-3106

NEW!  
EC-3122





## Medical Lavatory Faucets with Adjustable Centers

All models have: • 1/2" O.D. slip inlets • Valves adjustable for angle installation • Teflon seat washers

### B-0865-04 Medical Lavatory Faucet

- 5-1/2" (140 mm) spread rigid gooseneck
- 8" (203 mm) centers
- 1/2" NPSM coupling nuts
- Rosespray outlet (B-0103)
- 5-1/16" (129 mm) clearance from deck to face of spray
- 4" (152 mm) wrist action handles (B-WH4)



- B-0865-04L** Same as B-0865-04 except with 12" (305 mm) centers
- B-0865** Same as B-0865-04 except with 6" (152 mm) wrist action handles (B-WH6)
- B-0866-04** Same as B-0865-04 except with 5-1/2" (140 mm) spread swivel/rigid gooseneck
- B-0866** Same as B-0865 except with 5-3/4" (146 mm) spread swivel/rigid gooseneck
- B-0867-04** Same as B-0865-04 except with aerator (B-0199-02)
- B-0867-04L** Same as B-0867-04 except with 12" (305 mm) centers
- B-0867-04-WS** Same as B-0867-04 except with low-flow aerator (1.5 GPM)



### B-0868-04 Medical Lavatory Faucet

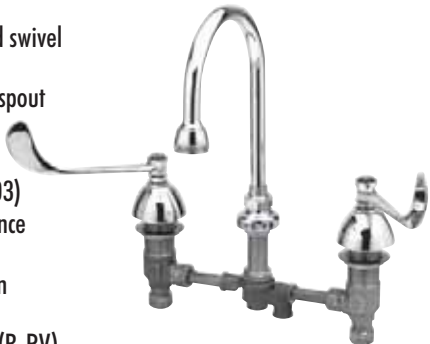
- 5-1/2" (140 mm) spread rigid gooseneck (120X)
- 8" (203 mm) centers
- Rosespray outlet (B-0103)
- 5-5/8" (143 mm) clearance from deck to face of spray
- 1/2" NPSM coupling nuts
- 4" (152 mm) wrist action handles (B-WH4)
- Pop-up waste assembly (B-0898)



- B-0868-04L** Same as B-0868-04 except with 12" (305 mm) adjustable centers
- B-0869-04** Same as B-0868-04 except with aerator (B-0199-02)

### B-0866-PV Medical Lavatory Faucet with PV Connection

- 5-1/2" (140 mm) spread swivel gooseneck (133X)
- Swivel/rigid gooseneck spout
- 8" (203 mm) adjustable centers
- Rosespray outlet (B-0103)
- 4-1/4" (108 mm) clearance from deck to rosespray
- 6" (152 mm) wrist action handles (B-WH6)
- Pedal valve connection (B-PV)



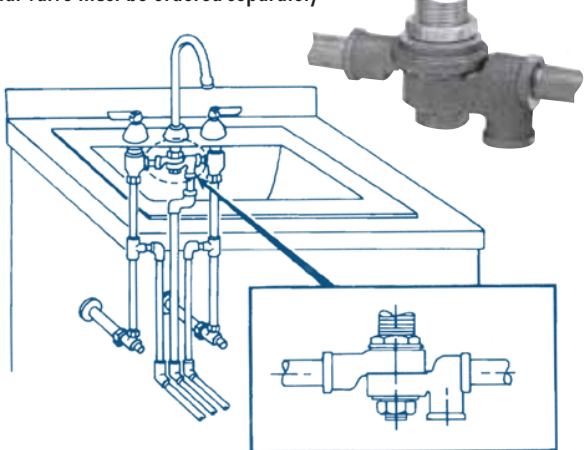
**Hot and Cold Center Sections Can Be At Angle**

If "Y" is: Then faucet will fit "X" with standard 1/4" IPS cross pipes furnished

|        |        |
|--------|--------|
| 1/2"   | 8"     |
| 1"     | 7-3/4" |
| 1-1/2" | 7-3/8" |
| 2"     | 7"     |

### B-PV Pedal Valve Connection

- Pedal valve connection can be furnished on all B-0865 style faucets
- Allows faucet to be operated with either wrist action handles or foot pedal valve
- To order, indicate "B-PV" suffix after model number
- Pedal valve must be ordered separately



## Medical Lavatory Faucets



All models: **NEW DESIGN** has EasyInstall pre-assembled faucet body for Concealed Widespread Faucets  
 • Easy installation • 1/2" O.D. slip inlets • Teflon seat washers • 1/2" NPSM coupling nuts

### EasyInstall

PATENTED  
DESIGN  
PATENT  
NUMBER  
7,472,434

#### B-2386 Medical Lavatory Faucet with Swivel Gooseneck

- EasyInstall faucet
- 5" (127 mm) spread swivel gooseneck
- Swivel/rigid gooseneck spout
- 8" (203 mm) centers
- B-0199-01 aerator outlet (2.2 GPM)
- 10" (254 mm) clearance from deck to outlet
- Lever handles



#### B-2865-04 Medical Lavatory Faucet

- EasyInstall faucet
- 5-1/2" (140 mm) spread rigid gooseneck (120X)
- 8" (203 mm) centers
- B-0103 Rosespray outlet
- 5-1/16" (129 mm) clearance from deck to face of spray
- 4" (102 mm) wrist action handles (B-WH4)



**B-2865** Same as B-2865-04 except with 6" (152 mm) wrist action handles (B-WH6)

**B-2865-05-WS** Same as B-2865-05 except with low-flow aerator (1.5 GPM)

#### B-2866-05 Medical Lavatory Faucet

- EasyInstall faucet
- 5-3/4" (146 mm) spread swivel gooseneck
- Swivel/rigid gooseneck spout
- 8" (203 mm) centers
- B-0199-01 non-splash aerator (2.2 GPM)
- 6-1/4" (159 mm) clearance from deck to face of spray
- 4" (102 mm) wrist action handles (B-WH4)

### EasyInstall



#### Related models (not EasyInstall):

**B-2865-04L** Same as B-2865-04 except with 12" (305 mm) centers

**B-2865-05** Same as B-2865-04 except with 12" (305 mm) flexible stainless steel inlet supplies

**B-2865-05CR** Same as B-2865-05 except with ceramic cartridges

**B-2865-05-120XA** Same as B-2865-05 except with 12" flex lines, and B-0199-02 aerator (2.2 GPM)

**B-2865-05-133XA** Same as B-2865-05 except with swivel gooseneck and B-0199-01 aerator (2.2 GPM)

**B-2865-06** Same as B-2865-04 except with 6" (152 mm) centers

**B-2866-01** Same as B-2866-05 except with 8-3/4" (223 mm) spread gooseneck (135X) with stream regulator

**B-2866-01QT-VRF** Same as B-2866-01 except with quarter-turn spindle assemblies and vandal-resistant laminar flow device (2.2 GPM)

**B-2862** Same as B-2866-01 except with B-0199-02 non-splash aerator (2.2 GPM)

**B-2862-WS** Same as B-2862 except with low-flow aerator (1.5 GPM)

**B-2866-05-LF15** Same as B-2866-05 except with laminar flow device (1.5 GPM)

**B-2866-05FC** Same as B-2866-05 except with 5-3/4" spread plain end gooseneck (133XP)

**B-2866-05FC-QT** Same as B-2866-05FC except with quarter-turn spindle assemblies

**B-2866-05QT** Same as B-2866-05 except with quarter-turn spindle assemblies

**B-2866-05QT-VRS** Same as B-2866-05QT except with vandal-resistant aerator and vandal-resistant screws

**B-2866-05QT-WS** Same as B-2866-05QT except with low-flow aerator (1.5 GPM)

**B-2866-05-WS** Same as B-2866-05 except with low-flow aerator (1.5 GPM)



## Medical Lavatory Faucets

All models: **NEW DESIGN** has EasyInstall pre-assembled faucet body for Concealed Widespread Faucets

- Easy installation
- 1/2" O.D. slip inlets
- Teflon seat washers
- 1/2" NPSM coupling nuts

### EasyInstall

#### B-2347 Medical Lavatory Faucet

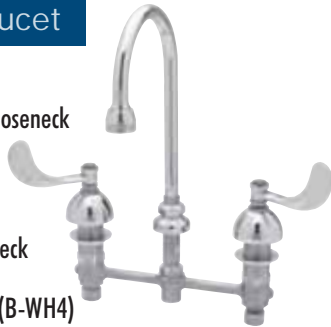
- EasyInstall faucet
- 8-13/16" (224 mm) spread swivel gooseneck
- Sidespray with automatic diverter and 4' flexible reinforced hose
- 8" (203 mm) centers
- 3/8" NPSM female outlet with rosespray
- 6-5/16" (160 mm) clearance from deck to face of spray
- 4" (102 mm) wrist action handles (B-WH4)



**B-2347-05-LVR** Same as B-2347 except with lever handles and 2.2 GPM aerator

#### B-2866-04 Medical Lavatory Faucet

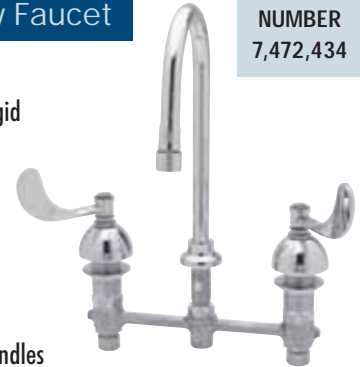
- EasyInstall faucet
- 5-3/4" (146 mm) spread swivel gooseneck
- Swivel/rigid gooseneck spout
- 8" (203 mm) centers
- Rosespray outlet (B-0103)
- 5-7/8" (149 mm) clearance from deck to face of spray
- 4" (102 mm) wrist action handles (B-WH4)



- B-2866-04-01QT** Same as B-2866-04 except with quarter-turn spindle assemblies and swivel gooseneck 4-5/16" spread with aerator (2.2 GPM)
- B-2866-04VRS** Same as B-2866-04 except with 8-3/4" (223 mm) spread swivel gooseneck (135X) and vandal-resistant aerator (B-0199-07) and vandal-resistant screws
- B-2866-04L** Same as B-2866-04 except with stream regulator on gooseneck and 12" (305 mm) centers
- B-2866** Same as B-2866-04 except with 6" wrist-action handles (B-WH6)
- B-2866-F05** Same as B-2866 except with non-aerated spray device (0.5 GPM)
- B-2866-LF12-CR4** Same as B-2866 except for ceramic cartridges and flow tower outlet (1.2 GPM)
- B-2866-QT-21VR** Same as B-2866 except with quarter-turn spindle assemblies and B-0199-21-VRF vandal-resistant laminar flow aerator (2.2 GPM)
- B-2866-QT-VF05** Same as B-2866-QT-21VR except with vandal-resistant outlet device (0.5 GPM)
- B-2866-QT-VF05G** Same as B-2866-QT-VF05 except with gaskets
- B-2866-VF05** Same as B-2866 except with vandal-resistant non-aerated spray device (0.5 GPM)

#### B-2867-04 Medical Lavatory Faucet

- EasyInstall faucet
- 5-9/16" (141 mm) spread rigid gooseneck (120X)
- 8" (203 mm) centers
- Non-splash aerator (B-0199-02)
- 5-5/16" (135 mm) clearance from deck to face of spray
- 4" (102 mm) wrist action handles (B-WH4)



PATENTED  
DESIGN  
PATENT  
NUMBER  
7,472,434

**B-2867** Same as B-2867-04 except with 6" (152 mm) wrist action handles (B-WH6)

**B-2867-04-F05** Same as B-2867-04 except with non-aerated spray device (0.5 GPM)

**B-2867-04-LF15** Same as B-2867-04 except with laminar flow device (1.5 GPM)

**B-2867-04-VF05** Same as B-2867-04 except with 0.5 GPM vandal-resistant non-aerated spray device

**B-2867-04-WS** Same as B-2867-04 except with low-flow aerator (1.5 GPM)

#### Related model (not EasyInstall):

**B-2867-04L** Same as B-2867-04 except with 12" (305 mm) centers; not EasyInstall faucet

#### B-2868-04 Medical Lavatory Faucet with Pop-Up Valve

- EasyInstall faucet
- 5-1/2" (140 mm) spread rigid gooseneck (120X)
- 8" (203 mm) centers
- Rosespray outlet (B-0103)
- 5-5/8" (143 mm) clearance from deck to face of spray
- 4" (102 mm) wrist action handles (B-WH4)
- Pop-up waste (B-0898)



**B-2869-04** Same as B-2868-04 except with aerator outlet (2.2 GPM)

## Medical Lavatory Faucets

- All models have:
- 4" (102 mm) centers
  - 15/16" (23 mm) diameter top shoulder to fit 1" (25 mm) diameter hole in basin
  - 1/2" NPS shanks
  - Fit sinks up to 1-3/8" (34 mm) thick
  - 1/2" O.D. slip inlets



**ADA  
Compliant**

### B-0892 Medical Lavatory Faucet with Rigid Gooseneck



- 6-5/8" (168 mm) clearance from deck to aerator
- 4" (102 mm) from centerline to center of outlet
- Rigid gooseneck with 2-3/4" (70 mm) spread (005028-40)
- B-0199-01 aerator outlet (2.2 GPM)
- Standard Eterna cartridges
- 4" (102 mm) wrist action handles (B-WH4) with color coded indexes
- 1/2" NPT coupling nuts

| MODEL                             | CARTRIDGE                 | GOOSENECK | HEIGHT   | CLEARANCE | SPREAD  | OUTLET                             | GPM     | HANDLE                  | V-R | NOTES  |
|-----------------------------------|---------------------------|-----------|----------|-----------|---------|------------------------------------|---------|-------------------------|-----|--|
| B-0892                            | Eterna                    | Rigid     | 10-7/16" | 6-5/8"    | 2-3/4"  | B-0199-01 aerator                  | 2.2 GPM | 4" Wrist Action (B-WH4) | N   |  |
| B-0892-01                         | Eterna                    | Rigid     | 10-1/8"  | 6-3/16"   | 4-1/16" | B-0199-02 aerator                  | 2.2 GPM | 4" Wrist Action         | N   |  |
| B-0892-01-CR                      | Ceramic                   | Rigid     | 10-1/8"  | 6-1/8"    | 4-1/16" | B-0199-02 aerator                  | 2.2 GPM | 4" Wrist Action         | N   |  |
| B-0892-01-WS                      | Eterna                    | Rigid     | 10-1/8"  | 6-3/16"   | 4-1/16" | B-0199-01-WS                       | 1.5 GPM | 4" Wrist Action         | N   | WaterSense aerator                                   |
| B-0892-122X-LAM                   | Eterna                    | Rigid     | 12-3/8"  | 7"        | 5-1/2"  | B-0199-21 laminar flow device      | 2.2 GPM | 4" Wrist Action         | N   |  |
| B-0892-CR                         | Ceramic                   | Rigid     | 10-7/16" | 6-11/16"  | 2-3/4"  | B-0199-01 aerator                  | 2.2 GPM | 4" Wrist Action         | N   |  |
| B-0892-FC                         | Eterna with flow control  | Rigid     | 8-15/16" | 5-11/16"  | 2-5/8"  | Plain end outlet                   |         | 4" Wrist Action         | N   | 0.7 GPM flow control in cartridge                    |
| B-0892-F1-CR-SC                   | Ceramic with check valves | Rigid     | 10-3/8"  | 6-5/8"    | 2-3/4"  | B-0199-01-F10 aerator              | 1.0 GPM | 4" Wrist Action         | N   |  |
| B-0892-LF22                       | Eterna                    | Rigid     | 10-7/16" | 6-5/8"    | 2-3/4"  | B-0199-21 laminar flow device      | 2.2 GPM | 4" Wrist Action         | N   |  |
| B-0892-M<br>B-0892 Master Box (6) | Eterna                    | Rigid     |          |           | 2-3/4"  | B-0199-01 aerator                  | 2.2 GPM | 4" Wrist Action         | N   | Master carton of 6                                   |
| B-0892-VF05                       | Eterna                    | Rigid     | 10-7/16" | 6-11/16"  | 2-3/4"  | B-0199-06-N05                      | 0.5 GPM | 4" Wrist Action         | Y   | Includes vandal-resistant key                        |
| B-0892-VRS                        | Eterna                    | Rigid     | 10-3/8"  | 6-5/8"    | 2-3/4"  | B-0199-06 vandal-resistant aerator | 2.2 GPM | 4" Wrist Action         | Y   | Vandal-resistant screws in handles; includes V-R key |
| B-0892-CR-LF05                    | Ceramic                   | Rigid     | 10-7/16" | 6-3/4"    | 2-3/4"  | B-0199-01-N05                      | 0.5 GPM | 4" Wrist Action         | N   |  |
| B-0892-CR-WS                      | Ceramic                   | Rigid     | 10-7/16" | 6-11/16"  | 2-3/4"  | B-0199-01-WS                       | 1.5 GPM | 4" Wrist Action         | N   | WaterSense aerator                                   |
| B-0892-F05                        | Eterna                    | Rigid     | 10-7/16" | 6-11/16"  | 2-3/4"  | B-0199-01-N05                      | 0.5 GPM | 4" Wrist Action         | N   |  |
| B-0892-WS                         | Eterna                    | Rigid     | 10-7/16" | 6-11/16"  | 2-3/4"  | B-0199-01-WS                       | 1.5 GPM | 4" Wrist Action         | N   | WaterSense aerator                                   |
| B-0893                            | Eterna                    | Rigid     |          |           | 2-3/4"  | B-0199-01 aerator                  | 2.2 GPM | 4" Wrist Action         | N   | Includes pop-up waste assembly (B-0898)              |

**V-R** Vandal-resistant

## Medical Lavatory Faucets



ADA  
Compliant

- All models have:
- 4" (102 mm) centers
  - 15/16" (23 mm) diameter top shoulder to fit 1" (25 mm) diameter hole in basin
  - 1/2" NPS shanks
  - Fit sinks up to 1-3/8" (34 mm) thick
  - 1/2" O.D. slip inlets

### B-0892-01QT Medical Lavatory Faucet with Swivel Gooseneck



- 7-1/4" (184 mm) clearance from deck to aerator
- 4" (102 mm) from centerline to center of outlet
- Swivel gooseneck with 4-3/8" (111 mm) spread (017907-45)
- B-0412 rigid to swivel adapter
- Optional swivel/rigid washer included
- B-0199-01 aerator outlet (2.2 GPM)
- Quarter-turn Eterna spindle assemblies
- 4" (102 mm) wrist action handles (B-WH4) with color coded indexes
- 1/2" NPT coupling nuts

| MODEL           | CARTRIDGE             | GOOSENECK     | HEIGHT      | CLEARANCE   | SPREAD      | OUTLET                                     | GPM         | HANDLE          | V-R | NOTES   |
|-----------------|-----------------------|---------------|-------------|-------------|-------------|--|-------------|-----------------|-----|---|
| B-0892-01QT     | Eterna (Quarter-turn) | Swivel /Rigid | 10-7/8"     | 7-1/4"      | 4-3/8"      | B-0199-01 aerator                          | 2.2 GPM     | 4" Wrist Action | N   |   |
| B-0892-01CR-22  | Eterna (Quarter-turn) | Swivel /Rigid | 10-7/8"     | 7-1/4"      | 4-3/8"      | B-0199-21 laminar flow device              | 2.2 GPM     | 4" Wrist Action | N   |   |
| B-0892-133X     | Eterna                | Swivel        | 12-3/16"    | 8-3/16"     | 5-11/16"    | B-PT stream regulator outlet               |             | 4" Wrist Action | N   |   |
| B-0892-135X     | Eterna (Quarter-turn) | Swivel /Rigid | 13-7/8"     | 6-7/8"      | 8-13/16"    | B-0199-21 laminar flow device              | 2.2 GPM     | 4" Wrist Action | N   |   |
| B-0892-CR-HW    | Ceramic               | Swivel        | 10-7/8"     | 7-11/16"    | 4-1/4"      | B-PT stream regulator outlet               |             | 4" Wrist Action | N   | With B-0412-F12 adapter with flow control tower (1.2 GPM) |
| B-0892-QT-F05   | Eterna (Quarter-turn) | Swivel /Rigid | 10-7/8"     | 7-1/4"      | 4-3/8"      | B-0199-01-N05 non-aerated spray device     | 0.5 GPM     | 4" Wrist Action | N   |   |
| B-0892-LF12-CR4 | Ceramic               | Swivel        | 13"         | 8-7/8"      | 5-11/16"    | B-PT stream regulator outlet               |             | 4" Wrist Action | N   | With B-0412-F12 adapter with flow control tower (1.2 GPM) |
| B-0892-LN-QT    | Eterna (Quarter-turn) | Swivel        | Less nozzle | Less nozzle | Less nozzle | Less nozzle                                | Less nozzle | 4" Wrist Action | N   | Less nozzle   |
| B-0892-LN       | Eterna                | Swivel        | Less nozzle | Less nozzle | Less nozzle | Less nozzle                                | Less nozzle | 4" Wrist Action | N   | Less nozzle   |
| B-0892-QT-LF16  | Eterna (Quarter-turn) | Swivel /Rigid | 10-7/8"     | 7-11/16"    | 4-1/4"      | B-PT stream regulator outlet               |             | 4" Wrist Action | N   | With B-0412-F16 adapter with flow control tower (1.6 GPM) |
| B-0892-QT-VF05  | Eterna (Quarter-turn) | Swivel /Rigid | 10-7/8"     | 7-1/4"      | 4-3/8"      | B-0199-06-N05 V-R non-aerated spray device | 0.5 GPM     | 4" Wrist Action | Y   |   |
| B-0892-QT-VF05G | Eterna (Quarter-turn) | Swivel /Rigid | 10-15/16"   | 7-5/16"     | 4-3/8"      | B-0199-06-N05 V-R non-aerated spray device | 0.5 GPM     | 4" Wrist Action | Y   | Deck gasket   |
| B-0892-QT-WS    | Eterna (Quarter-turn) | Swivel /Rigid | 10-7/8"     | 7-1/4"      | 4-1/4"      | B-0199-01-WS                               | 1.5 GPM     | 4" Wrist Action | N   | WaterSense aerator  |

V-R Vandal-resistant





Lavatory Faucets

**NEW DESIGN** has EasyInstall pre-assembled faucet body for Concealed Widespread Faucets

- Easy installation
- 1/2" O.D. slip inlets
- Teflon seat washers
- 1/2" NPSM coupling nuts

**EasyInstall**

**B-2850**  
Lavatory Faucet

- EasyInstall faucet
- 5-1/2" (140 mm) spread rigid gooseneck (120X)
- 8" (203 mm) standard centers
- Lever handles
- Stream regulator outlet (B-LT)
- 5-3/4" (146 mm) clearance from deck to tip of outlet
- 1/2" NPSM coupling nuts



New Water-Saving Models

- B-2850-01** Same as B-2850 except with 4" (102 mm) wrist action handles and laminar flow device (2.2 GPM)
- B-2851** Same as B-2850 except with swivel/rigid swivel gooseneck 5-11/16" spread (133X) spout
- B-2851-133X-VR** Same as B-2851 except with vandal-resistant handles and vandal-resistant laminar flow device (2.2 GPM)
- B-2852** Same as B-2850 except with swivel gooseneck (135X) and non-splash aerator (2.2 GPM)
- B-2850-F05** Same as B-2850 except with non-aerated spray device (0.5 GPM)
- B-2850-VF05** Same as B-2850 except with vandal-resistant non-aerated spray device (0.5 GPM)
- B-2850-WH4** Same as B-2850 except with 4" (102 mm) wrist action handles
- B-2850-WS** Same as B-2850 except with low-flow aerator (1.5 GPM)

- Related models (not EasyInstall):**
- B-2850-L** Same as B-2850 except with 12" (305 mm) standard centers
  - B-2851-L** Same as B-2851 except with 12" (305 mm) standard centers
  - B-0850** Same as B-2850 – has valves adjustable for angle installation

**B-2853-RSW-061X**  
Lavatory Faucet

- EasyInstall faucet
- 10" (254 mm) restricted swing nozzle adapter with B-0199-06F-05 (0.5 GPM) vandal resistant aerator
- 8" (203 mm) standard centers
- Lever handles
- 4-1/4" (108 mm) clearance from deck to tip of outlet
- 1/2" NPSM coupling nuts



New Vandal Resistant Model

- B-2853-RSW-VR05** Same as B-2853-RSW-061X except with rigid to swivel 90° restricted gooseneck, B-0199-06F-05 vandal resistant aerator (0.5 GPM), 9-1/2" (283 mm) clearance from outlet to deck, 7-1/8" (180 mm) spread

**B-2855**  
Lavatory Faucet

- EasyInstall faucet
- 9" (229 mm) swing nozzle (166X)
- Swivel/rigid swing nozzle
- 8" (203 mm) standard centers
- Stream regulator outlet (B-PT)
- 6-1/4" (159 mm) clearance from deck to tip of outlet
- 1/2" NPSM coupling nuts



PATENTED DESIGN PATENT NUMBER 7,472,434

- B-2855-01** Same as B-2855 except with B-0199-29 laminar flow device (1.5 GPM)
- B-2855-WS** Same as B-2855 except with low-flow aerator (1.5 GPM)

- Related model (not EasyInstall):**
- B-0855** Same as B-2855 – has valves adjustable for angle installation

**B-2859**  
Medical Lavatory Faucet

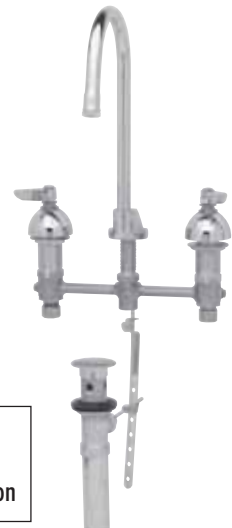
NEW MODEL!

- EasyInstall faucet
- Swing nozzle (B-2387) with B-0199-01 aerator (2.2 GPM)
- Swivel deck flange
- 8" (203 mm) centers
- Compression cartridges
- 3/8" NPSM female outlet with rosespray
- 8-9/16" (218 mm) clearance from deck to face of aerator
- 4" (102 mm) wrist action handles (B-WH4)



**B-2885**  
Lavatory Faucet

- EasyInstall faucet
- 5-1/2" (140 mm) spread rigid gooseneck (120X)
- 8" (203 mm) standard centers
- Stream regulator outlet (B-LT)
- 6-7/16" (163 mm) clearance from deck to tip of outlet
- Pop-up waste assembly (B-0898)
- 1/2" NPSM coupling nuts



- Related model (not EasyInstall):**
- B-0885** Same as B-2885 except with valves adjustable for angle installation



## Lavatory Faucets

NEW MODELS!



All models: **NEW DESIGN** has EasyInstall pre-assembled faucet body for Concealed Widespread Faucets

- Easy installation
- 1/2" O.D. slip inlets
- Teflon seat washers
- 1/2" NPSM coupling nuts

### B-2990 Lavatory Faucet

**EasyInstall**

- EasyInstall Faucet
- 5" (127 mm) cast basin spout
- 8" (203 mm) centers
- 2" (51 mm) clearance from deck to aerator
- 1/2" NPSM coupling nuts on inlets
- Lever handles



New Water-Saving Models

- B-2990-175F** Same as B-2990 except with four arm handles
- B-2990-180F** Same as B-2990 except with dome handles
- B-2990-P** Same as B-2990 except with pop-up assembly (B-898)
- B-2990-PWH4** Same as B-2990-P except with 4" (102 mm) wrist action handles
- B-2990-WH4** Same as B-2990 except with 4" (102 mm) wrist action handles
- B-2990-WH4-QT** Same as B-2990-WH4 except with quarter-turn spindle assemblies
- B-2990-WH4-WS** Same as B-2990-WH4 except with low-flow aerator (1.5 GPM)
- B-2990-F05** Same as B-2990 except with non-aerated spray device (0.5 GPM)
- B-2990-VF05** Same as B-2990 except with vandal-resistant non-aerated spray device (0.5 GPM)
- B-2990-WS** Same as B-2990 except with low-flow aerator (1.5 GPM)

**Related model (not EasyInstall):**

- B-2990-FL** Same as B-2990 except with flexible supply lines

### B-2955 Lavatory Faucet

**EasyInstall**

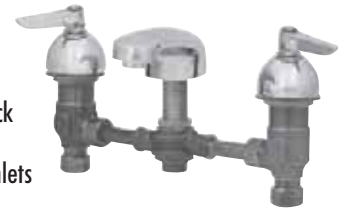
- 9" (229 mm) swing nozzle (166X)
- Swivel/rigid swing nozzle
- 8" (203 mm) standard centers
- Stream regulator (B-LT)
- 6-5/16" (160 mm) clearance from deck to tip of outlet
- 1/2" NPSM coupling nuts
- Dome handles



PATENTED DESIGN  
PATENT NUMBER  
7,472,434

### B-2992 Lavatory Faucet

- Swivel joint faucet body for angle installation
- 5" (127 mm) cast basin spout
- 8" (203 mm) centers
- 2" (51 mm) clearance from deck to aerator
- 1/2" NPSM coupling nuts on inlets
- Lever handles (175F)



**Note:** this is not an EasyInstall faucet

- B-2992-180F** Same as B-2992 except with dome handles
- B-2992-L** Same as B-2992-WH4 except with 12" (305 mm) centers
- B-2992-P** Same as B-2992 except with pop-up assembly (B-0898)
- B-2992-PWH4** Same as B-2992-P except with 4" (102 mm) wrist action handles
- B-2992-WH4** Same as B-2992 except with 4" (102 mm) wrist action handles

### B-2320 Medical Lavatory Faucet

- Swivel gooseneck with 2.2 GPM aerator
- Rigid to swivel adapter
- 4-1/8" (105 mm) clearance from deck to outlet
- Eterna cartridges
- Lever handles
- 1/2" NPSM coupling nuts



### B-0898 Pop-Up Waste Assembly

- Cast brass drain body
- Vandal resistant stopper
- 1-1/4" (32 mm) diameter 17 gage tailpiece
- Fits sinks with 1-7/16" (36.5 mm) to 1-3/4" (44 mm) diameter drain hole



### B-0898-OF Offset Drain

- ADA compliant
- Polished chrome plated bronze body
- Captive grid
- 1-1/4" (32 mm) diameter 17 gage tailpiece



### B-0899 Drain with Grid

- Cast brass polished chrome plated grid
- Captive grid
- 1-1/4" (32 mm) diameter 17 gage tailpiece



## Centerset Faucets with or without Pop-Up Assembly

NEW MODELS!



- All models have:
- 1/2" O.D. slip inlets
  - 15/16" dia. top shank
  - 1/2" NPS thread on shanks
  - Fit sinks up to 1-3/8" (34 mm) thick
  - 1/2" NPSM coupling nuts

### B-0870 Centerset Lavatory Faucet

- 3-3/4" (95 mm) from inlet of faucet to outlet
- 4" (102 mm) centers
- B-0199-03 aerator (2.2 GPM)
- 1-7/16" (27 mm) clearance from deck to aerator
- Pop-up waste assembly (B-0898)



- B-0870-CR** Same as B-0870 except with cerama cartridges
- B-0871** Same as B-0870 except without pop-up assembly
- B-0871-M** B-0871 Master Box (6)
- B-0871-VRS** Same as B-0871 except with vandal resistant screws in handles and B-0199-08 vandal resistant aerator (2.2 GPM)
- B-0871-CR** Same as B-0871 except with cerama cartridges
- B-0871-CR-PRISON** Same as B-0871 except with vandal resistant lever handles, vandal-resistant flow control (1.0 GPM) aerator and ceramic cartridges
- B-0871-CR-WS** Same as B-0871-CR except with low-flow aerator (1.5 GPM)
- B-0871-F05** Same as B-0871 except with non-aerated spray device (0.5 GPM)
- B-0871-VF05** Same as B-0871 except with vandal-resistant non-aerated spray device (0.5 GPM)
- B-0871-VR-CH-QT** Same as B-0871 except with vandal-resistant aerator (2.2 GPM), club handles, vandal-resistant screws and quarter-turn Eterna cartridges
- B-0871-WS** Same as B-0871 except with low-flow aerator (1.5 GPM)

New  
Vandal  
Resistant  
Model

New  
Water-  
Saving  
Models

### B-0873 Centerset Lavatory Faucet

- Rigid 2-3/4" (70 mm) spread gooseneck (119X)
- 4" (102 mm) centers
- B-0199-02 aerator (2.2 GPM)
- 5" (127 mm) clearance from deck to aerator
- Pop-up waste assembly (B-0898)



- B-0874** Same as B-0873 except without pop-up assembly
- B-0874-M** B-0774 Master Box (6)

### B-0877 Centerset Lavatory Faucet

- 3-3/4" (95 mm) from inlet of faucet to outlet
- 4" (102 mm) centers
- 1-1/4" (32 mm) diameter spray face
- 1-13/16" (46 mm) clearance from deck to outlet



### B-2970 Lavatory Faucet

- 3-3/4" (95 mm) from inlet of faucet to outlet
- 4" (102 mm) centers
- B-0199-03 aerator (2.2 GPM)
- 1-1/2" (38 mm) clearance from deck to aerator
- Pop-up waste assembly (B-0898)



- B-2971** Same as B-2970 except without pop-up assembly



## Pivot Action Metering Faucets

- All models:
- ADA compliant according to ICC/ANSI A117.1-2003
  - Less force required to activate faucet
  - Load tested to 150 lbs. of force to meet the most demanding applications

### B-0712-PA Pivot Action Metering Faucet

- 1/2" NPS male shank
- 1/4" IPS union tailpiece
- 4-1/8" (105 mm) center of faucet to center of spout
- Spout 1-1/4" (27 mm) above deck
- Vandal resistant
- Aerator (2.2 GPM)
- 10° angle on aerator



### B-0807-PA Pivot Action Metering Faucet

- 1/2" NPT threaded shank with 1/4" NPT tailpieces on 4" (102 mm) centers
- Fits sinks up to 1-3/8" (34 mm) thick
- 1/2" O.D. slip inlet
- 4-3/16" (107 mm) high
- Specify hot, cold or blank
- B-0199-02 aerator (2.2 GPM)
- 4" (102 mm) spreader assembly with volume controls



### B-0837-PA Pivot Action Metering Faucet

- 3-3/4" (95 mm) from inlet of faucet to outlet
- 4" (102 mm) centers
- Spray face outlet
- 2" (51 mm) clearance from deck to outlet



### B-0800-PA Pivot Action Metering Wash Sink Single Temperature Faucet

- Wall-mount with 1/2" NPT female inlet
- 1-1/4" diameter rose spray
- 6-3/4" (171 mm) overall length
- 3-7/8" (99 mm) from wall to center of outlet



### B-0805-PA Pivot Action Metering Single Temperature Faucet

- 1/2" NPT threaded shank
- Fits sinks up to 1-3/8" thick
- Fits 1/2" O.D. slip inlet
- 4-3/16" (107 mm) high
- B-0199-02 aerator outlet (2.2 GPM)



### B-0831-PA Pivot Action Metering Lavatory Faucet

- 4-5/16" (110 mm) from inlet of faucet to outlet
- 4" (102 mm) centers
- B-0199-03 aerator (2.2 GPM)
- 1-1/2" (38 mm) clearance from deck to aerator



### B-2490-PA Pivot Action Metering Faucet

- 4-1/8" (105 mm) from center of faucet to center of outlet
- Single hole with 4" (102 mm) spreader unit
- Supplied with nut and tailpiece for optional 1/4" NPT connection
- 4" (102 mm) spreader assembly with volume controls
- Aerator (2.2 GPM)





Pivot Action Metering Faucets

NEW MODELS!



**NEW DESIGN** has EasyInstall pre-assembled faucet body for Concealed Widespread Faucets

- Easy installation
- 1/2" O.D. slip inlets
- Teflon seat washers
- 1/2" NPSM coupling nuts

**B-2820-PA**  
Concealed Body Lavatory Faucet

- EasyInstall faucet
- 6" (152 mm) spread rigid gooseneck (120X)
- 8" (203 mm) standard centers
- Stream regulator outlet (B-LT)
- 5-11/16" (145 mm) clearance from deck to tip of outlet



EasyInstall

**B-2991-PA**  
Pivot Action Metering Valve Lavatory Faucet

- EasyInstall faucet
- 5" (127 mm) cast basin spout
- 8" (203 mm) centers
- 2" (51 mm) clearance from deck to aerator
- 1/2" NPSM coupling nuts on inlets
- Aerator (2.2 GPM)



PATENTED DESIGN  
PATENT NUMBER  
7,472,434

Slow Self-Closing Metering Faucets

- All models:
- Provide adjustable, timed flow of water
  - ADA compliant
  - Vandal resistant
  - Require less than 5 lbs. operating force to open
  - Remain open for 10 seconds minimum



**B-0800**  
Slow Self-Closing Wash Sink Single Temperature Faucet



- Wall-mount with 1/2" NPT female inlet
- 1-1/4" diameter rosespray
- 6-1/2" (165 mm) overall length
- 4" (102 mm) from wall to center of outlet



**B-0805**  
Slow Self-Closing Single Temperature Faucet

- 1/2" NPT threaded shank
- Fits sinks up to 1-3/8" thick
- Fits 1/2" O.D. slip inlet
- 5-1/2" (140 mm) high
- Specify hot, cold or blank
- B-0199-02 aerator outlet (2.2 GPM)



New Water-Saving Models

- B-0805-VR-LDP** Same as B-0805 except with vandal-resistant aerator (2.2 GPM)
- B-0805-WS** Same as B-0805 except with low-flow aerator (1.5 GPM)
- B-0806** Same as B-0805 except with rose spray outlet
- B-0805-01** Same as B-0805 except with B-WH4 4" (102 mm) wrist action handle (inset, left)
- B-0805-F05** Same as B-0805 except with non-aerated spray device (0.5 GPM)
- B-0805-VF05** Same as B-0805 except with vandal-resistant non-aerated spray device (0.5 GPM)
- B-0806-DP-F20** Same as B-0806 except with deck plate and flow control rosespray (2.0 GPM)

**B-0807**  
Slow Self-Closing Mixing Faucet

- 1/2" NPT threaded shank with 1/4" NPT tailpieces on 4" (102 mm) centers
- Fits sinks up to 1-3/8" (34 mm) thick
- 1/2" O.D. slip inlet
- 5-1/2" (140 mm) high
- Specify hot, cold or blank
- B-0199-02 aerator outlet (2.2 GPM)



- B-0807-WS** Same as B-0807 except with low-flow aerator (1.5 GPM)
- B-0808** Same as B-0807 except with rose spray outlet
- B-0842** Same as B-0807 except with compression cartridge and B-WH4 4" (102 mm) wrist action handle
- B-0807-01** Same as B-0807 except with B-WH4 4" (102 mm) wrist action handle (inset, below)





## Slow Self-Closing Metering Faucets

- All models:
- Provide adjustable, timed flow of water
  - ADA compliant
  - Vandal resistant
  - Require less than 5 lbs. operating force to open
  - Remain open for 10 seconds minimum

### B-0712 Push Button Metering Faucet

- 1/2" NPS male shank
- 1/4" IPS union tailpiece
- 4-1/8" (105 mm) center of faucet to center of spout
- Spout 1-1/4" (31 mm) above deck
- Vandal resistant
- 10° angle on aerator
- B-0199-02 aerator (2.2 GPM)



New  
Water-Saving  
Models

- B-0712-01** Same as B-0712 except with 4" (102 mm) wrist action handle (see p. D26 – new model number: B-0712-WA)
- B-0712-4DP** Same as B-0712 except with 4" (102 mm) forged deckplate
- B-0712-ESC** Same as B-0712 except with escutcheon plate
- B-0712-WS** Same as B-0712 except with low-flow aerator (1.5 GPM)
- B-0713** Same as B-0712 except with B-0199-08 aerator
- B-0712-01VRS** Same as B-0712 except with lever handle and vandal-resistant handle index
- B-0712-F05** Same as B-0712 except with non-aerated spray device (0.5 GPM)
- B-0712-VF05** Same as B-0712 except with vandal-resistant non-aerated spray device (0.5 GPM)

### B-0830 Slow Self-Closing Centerset Lavatory Faucet with Pop-Up

- 3-3/4" (95 mm) from inlet of faucet to outlet
- 4" (102 mm) centers
- B-0199-03 aerator (2.2 GPM)
- 1-5/8" (41 mm) clearance from deck to aerator



- B-0831** Same as B-0830 except without pop-up assembly
- B-0831-01** Same as B-0831 except is wrist action metering faucet with B-WH4 4" handles (see p. D26 – new model number: B-0831-WA)
- B-0831-WS** Same as B-0831 except with low-flow aerator (1.5 GPM)
- B-0831-F05** Same as B-0831 except with 0.5 GPM non-aerated spray device
- B-0831-VF05** Same as B-0831 except with 0.5 GPM vandal-resistant non-aerated spray device
- B-0831-VR** Same as B-0831 except with vandal-resistant aerator (2.2 GPM)

New  
Water-Saving  
Models

### B-0833 Slow Self-Closing Centerset Lavatory Faucet with Pop-Up

- 4" (102 mm) from inlet of faucet to outlet
- 4" (102 mm) centers with push-button metering cartridges/handles
- B-0199-02 aerator (2.2 GPM)
- 5-3/8" (137 mm) clearance from deck to aerator



- B-0833-01** Same as B-0833 except with wrist action metering cartridges with 4" (102 mm) wrist action handles (shown, right)
- B-0834** Same as B-0833 except without pop-up assembly
- B-0834-01** Same as B-0834 except with wrist action metering cartridges with 4" (102 mm) handles, and without pop-up assembly (shown, right)



## NEW! Slow Self-Closing Metering Faucet with Temperature Adjustment

### B-2760-H Temperature Adjustable Metering Faucet

New  
Water-Saving  
Model

- 4" centerset lavatory faucet with slow-closing metering/temperature selection
- 0.5 GPM aerator saves water
- Brass, bronze, stainless steel parts with heavy-duty cast brass body
- Blade type handle requires only 5 lbs. pressure to operate
- Users can select only cold water to save energy
- Adjustable time flow can be set to less than 30 seconds
- Vandal-resistant design
- Easily adjust water temperature by turning handle; closes automatically when released



## Slow Self-Closing Metering Faucets



- All models:
- Provide adjustable, timed flow of water
  - Require less than 5 lbs. operating force to open
  - ADA compliant
  - Remain open for 10 seconds minimum
  - Vandal resistant

### B-0836 Slow Self-Closing Centerset Lavatory Faucet with Pop-Up

- Slow self-closing centerset lavatory faucet with pop-up waste assembly
- 3-3/4" (95 mm) from inlet of faucet to outlet
- 4" (102 mm) centers
- Spray face
- 2" (51 mm) clearance from deck to outlet



- B-0836-01** Same as B-0836 except with wrist action metering cartridges with 4" (102 mm) handles
- B-0837** Same as B-0836 except without pop-up assembly
- B-0837-01** Same as B-0837 except with wrist action metering cartridges with 4" (102 mm) handles, and without pop-up assembly

### B-2821 Concealed Body Lavatory Faucet

- EasyInstall faucet
- Slow self-closing lavatory faucet with pop-up waste assembly
- 6" (152 mm) spread rigid gooseneck (120X)
- 8" (203 mm) standard centers
- Stream regulator outlet (B-LT)
- 5-1/4" (133 mm) clearance from deck to tip of outlet

**Easy Install**



- B-2821-01** Same as B-2821 except with slow close metering cartridges and B-WH4 4" (102 mm) wrist action handles (shown below, inset)



### B-2490 Slow Self-Closing Metering Valve

- Slow self-closing metering valve with push-button cap
- 4" (102 mm) from center of faucet to center of spout
- Single hole with 4" spreader unit
- Supplied with nut and tailpiece for optional 1/4" NPT connection



### B-2820 Concealed Body Lavatory Faucet

- EasyInstall faucet
- Slow self-closing lavatory faucet
- 6" (152 mm) spread rigid gooseneck (120X)
- 8" (203 mm) standard centers
- Stream regulator outlet (B-LT)
- 5-1/2" (140 mm) spread (120X) rigid gooseneck

**Easy Install**

PATENTED  
DESIGN  
PATENT  
NUMBER  
7,472,434



- B-2820-01** Same as B-2820 except with slow close metering cartridges and B-WH4 4" (102 mm) wrist action handles (shown inset, right)

- B-2820-PA** Same as B-2820 except with pivot action metering cartridge/handles (see page D22)



### B-2991 Lavatory Faucet

- EasyInstall faucet
- Slow-self-closing metering cartridges
- 5" (127 mm) cast basin spout
- 8" (203 mm) centers
- 2" (51 mm) clearance from deck to aerator
- 1/2" NPSM coupling nuts on inlets

**Easy Install**



- B-2823-02** Same as B-2991 except with .5 GPM aerator

- B-2991-P** Same as B-2991 except with pop-up assembly (B-0898)

- B-2991-WH4** Same as B-2991 except with 4" (102 mm) wrist action handles (see p. D26 – new model number: B-2991-WA)

- B-2991-WS** Same as B-2991 except with low-flow aerator (1.5 GPM)

New  
Water-  
Saving  
Models

**NEW!** Slow Self-Closing Metering Faucets with Wrist Action Handles (-WA)

- All models:
- Provide adjustable, timed flow of water
  - ADA compliant
  - Conserves water
  - Require less than 5 lbs. operating force to open
  - Remain open for 10 seconds minimum



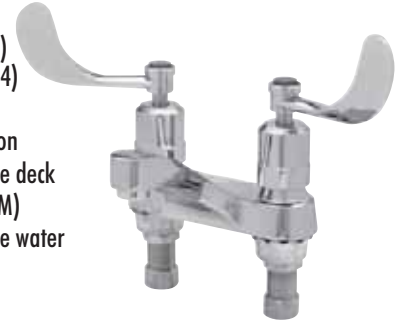
**B-0712-WA**  
Wrist Action Metering Faucet

- Single temperature basin faucet
- Wrist action metering cartridge with 4" (102 mm) wrist action handle (B-WH4)
- 1/2" NPSM male shank
- 1/4" NPT union tailpiece
- 4-1/8" (105 mm) center of faucet to center of spout
- Spout 15/16" (24 mm) above deck
- 10° angle on aerator
- B-0199-02 aerator (2.2 GPM)
- Metering cartridge conserves water



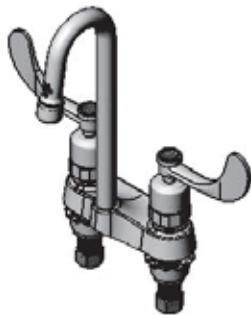
**B-0831-WA**  
Wrist Action Metering Faucet

- Centerset mixing faucet
- Wrist action metering cartridges with 4" (102 mm) wrist action handles (B-WH4)
- 1/2" NPSM male shanks
- Wrist action handle activation
- Spout 1-1/2" (38 mm) above deck
- B-0199-03 aerator (2.2 GPM)
- Metering cartridges conserve water



**B-0892-WA**  
Wrist Action Metering Faucet

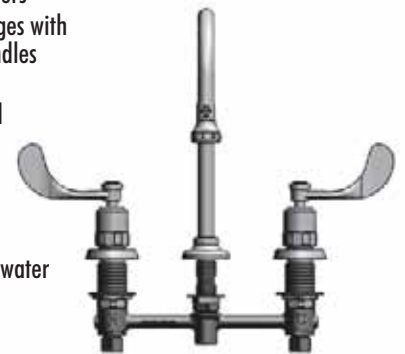
- Centerset mixing faucet
- Wrist action metering cartridges with 4" (102 mm) wrist action handles (B-WH4)
- 6-5/8" (168 mm) clearance from deck to aerator
- 1/2" NPSM male shanks with coupling nuts
- Rigid gooseneck with 2-3/4" (70 mm) spread (005028-40)
- B-0199-01 aerator outlet (2.2 GPM)
- Metering cartridges conserve water



**B-2865-04-WA**  
Wrist Action Metering Faucet



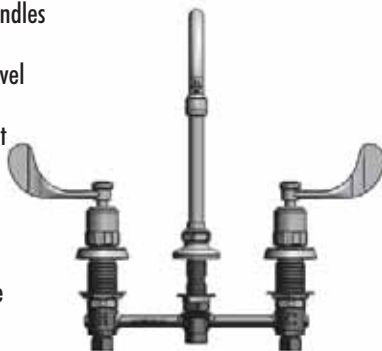
- EasyInstall concealed widespread faucet with 8" (203 mm) centers
- Wrist action metering cartridges with 4" (102 mm) wrist action handles (B-WH4)
- 5-1/2" (140 mm) spread rigid gooseneck (000398-40)
- B-0103 rosespray outlet
- 5" (127 mm) clearance from deck to face of spray
- Metering cartridges conserve water



**B-2866-05-WA**  
Wrist Action Metering Faucet



- EasyInstall concealed widespread faucet with 8" (203 mm) centers
- Wrist action metering cartridges with 4" (102 mm) wrist action handles (B-WH4)
- 5-3/4" (146 mm) spread swivel gooseneck
- Swivel/rigid gooseneck spout
- B-0199-01 aerator outlet (2.2 GPM)
- 6-1/8" (155 mm) clearance from deck to face of spray
- Metering cartridges conserve water



**B-2991-WA**  
Wrist Action Metering Faucet



- EasyInstall concealed widespread faucet with 8" (203 mm) centers
- Lavatory spout with B-0199-03 aerator outlet (2.2 GPM)
- Wrist action metering cartridges with 4" (102 mm) wrist action handles (B-WH4)
- Slow-self-closing metering cartridges
- 5-1/4" (134 mm) cast basin spout
- 8" (203 mm) centers
- 2" (51 mm) clearance from deck to aerator
- 1/2" NPSM coupling nuts on inlets
- Metering cartridges conserve water



Surgical Sink Faucets

- 8" (203 mm) centers with adjustable inlets

- B-WH4 4" wrist action handles

**B-0322-04**  
Surgical Sink Faucet

- 5-1/2" (140 mm) spread rigid gooseneck (120X)
- 8" (203 mm) centers
- Rosespray outlet (B-0103)
- 7-11/16" (195 mm) clearance from deck to rosespray outlet
- 4" (102 mm) wrist action handles (B-WH4)
- 1/2" NPT female eccentric flanged inlets (00AA)



**B-0322** Same as B-0322-04 except with 6" (152 mm) wrist action handles (B-WH6)  
**B-0323-04** Same as B-0322-04 except with stream regulator outlet (B-LT)  
**B-0324-04** Same as B-0322-04 except with 4" (102 mm) centers and stream regulator outlet (B-LT)

**B-0330-04**  
Surgical Sink Faucet

- 5-1/2" (140 mm) spread rigid gooseneck (120X)
- 8" (203 mm) centers
- Stream regulator outlet (B-LT)
- 4" (102 mm) wrist action handles (B-WH4)
- 1/2" NPT female eccentric flanged inlets (00AA)
- 6" (152 mm) clearance to stream regulator outlet



**B-0350-04** Same as B-0330-04 except with rosespray outlet (B-0103)  
**B-0350** Same as B-0350-04 except with 6" (152 mm) wrist action handles

**B-0352-04**  
Surgical Sink Faucet with Built-In Stops

- 5-1/2" (140 mm) spread rigid gooseneck (120X)
- 8" (203 mm) centers
- Rosespray outlet (B-0103)
- 5-3/8" (137 mm) clearance to sprayface
- 4" (102 mm) wrist action handles (B-WH4)
- Built-in screwdriver stops
- 1/2" NPT female eccentric flanged inlets (00AA)



**B-0353-04** Same as B-0322-04 except with stream regulator outlet (B-LT)  
**B-0352** Same as B-0352-04 except with 6" (152 mm) wrist action handles (B-WH6)

**B-0355-04**  
Surgical Sink Faucet with Adjustable Inlet and Loose Key Stops

- 5-1/2" (140 mm) spread rigid gooseneck (120X)
- Adjustable inlets 3-3/4" (95 mm) to 12-3/4" (319 mm)
- Rosespray outlet (B-0103)
- 4" (102 mm) wrist action handles (B-WH4)
- 1/2" NPT female eccentric flanged inlets with screwdriver stop (00XX)
- 5-3/8" (137 mm) clearance to rosespray outlet



## Pedal Valves

Note: Pedal valves with metering cartridges recommended for use with higher water pressures or when hammer arrestors are not used.

- All models have:
- Self closing valve
  - 1/2" NPT inlet and outlet
  - Extended pedals (wall mounted models)
  - Pedals flip up and stay up for cleaning (wall mounted models)

### B-0502 Double Pedal Valve, Floor Mounted

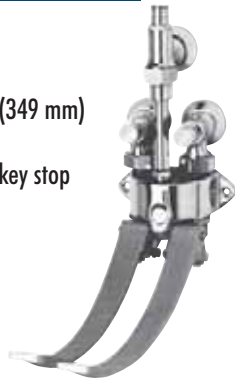
- Inlets on 2-1/2" (64 mm) centers
- 1" (25 mm) from floor to center of inlets
- 1/2" NPT female inlets and outlets
- Furnished with two wood mounting screws



**B-0502-LKS** Same as B-0502 except with loose key stops  
**B-0502-SL** Same as B-0502 except with metering cartridges

### B-0504-01 Double Pedal Valve, Wall Mounted

- Inlets on 2-1/2" (64 mm) centers
- 1" (25 mm) from floor to center of inlets
- Wall to pedal tips approximately 13-3/4" (349 mm)
- Angle loose key stops (B-1350)
- Top mounted volume control angle loose key stop (B-1355)
- 1/2" NPT female inlets and outlets



**B-0504-02** Same as B-0504-01 except with volume control straight loose key stop (B-0416)

### B-0507 Single Pedal Valve, Floor Mounted

- For hot or cold water
- 1" (25 mm) from floor to center of inlets
- 1/2" NPT female inlet and outlet
- Furnished with two wood mounting screws



**B-0507-02** Same as B-0507 except with check valve

### B-0508-01 Single Pedal Valve, Wall Mounted

- For hot or cold water
- 1" (25 mm) from wall to center of inlet
- Wall to pedal tip approximately 13-3/4" (349 mm)
- Angle loose key stop on inlet (B-1350)
- Loose key volume control valve with 3/8" IPS female outlet (B-1355)
- 1/2" NPT female inlet and outlet



### B-0504 Double Pedal Valve, Wall Mounted

- Inlets on 2-1/2" (64 mm) centers
- 1" (25 mm) from wall to center of outlets
- Wall to pedal tips approximately 13-3/4" (349 mm)
- 1/2" NPT female inlets and outlets
- Furnished with two wood mounting screws



**B-0504-LKS** Same as B-0504 except with straight loose key stops  
**B-0504-SL** Same as B-0504 except with metering cartridges  
**B-0504-03** Same as B-0504 except with loose key angle stops  
**B-0504-03SL** Same as B-0504-03 except with metering cartridges

### B-0505 Double Pedal Valve, Ledge Mounted

- Inlets on 2-1/2" (64 mm) centers
- Rough chrome plated
- 1/2" NPT female inlets and outlets
- Furnished with two wood mounting screws



**B-0505-SL** Same as B-0505 except with metering cartridges

### B-0508 Single Pedal Valve, Wall Mounted

- For hot or cold water
- 1" (25 mm) from wall to center of inlet
- Wall to pedal tip approximately 13-3/4" (349 mm)
- 1/2" NPT female inlet and outlet



**B-0508-LKS** Same as B-0508 except with straight loose key stop; see page D28

### B-2464 Single Pedal Valve & Rigid Gooseneck Spout

- Includes the B-0507 single pedal valve and B-0520 rigid gooseneck spout and rosespray outlet



## Pedal Valves

- All models have:
- Self closing valve
  - 1/2" NPT inlet and outlet
  - Extended pedals (wall mounted models)
  - Pedals flip up and stay up for cleaning (wall mounted models)

### B-0508-02 Single Pedal Valve, Wall Mounted

- For hot or cold water
- 1" (25 mm) from wall to center of inlet
- Wall to pedal tip approximately 13-3/4" (349 mm)
- Angle loose key stop on inlet (B-1350)
- Volume control straight loose key stop (B-0416)



### B-0508-LKS Single Pedal Valve, Wall Mounted

- For hot or cold water
- 1" (25 mm) from wall to center of inlet
- Wall to pedal tip approximately 13-3/4" (349 mm)
- Straight loose key stop on inlet



## Knee Valves

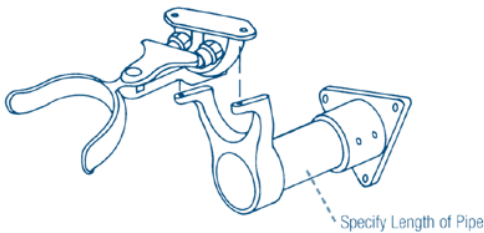
- All models:
- Feed water automatically
  - Provide sensitive, variable flow control for water conservation

### B-0473 Wall Support for Knee Action Valve

- All aluminum, fastens to wall and supports valve body of knee action valve
- Approximately 12" (305 mm) from wall to valve body mounting holes
- 3-1/4" (83 mm) of knee stirrup extends in front of 20" (508 mm) back to front basin
- Can be shortened by cutting aluminum pipe
- Available in longer lengths up to 24" as a special order



### B-0473 Wall Bracket with B-0475 Knee Valve



### B-0475 Knee Action Valve

- Heavy duty cam acting stirrup
- Valve will remain in set position for hot, cold or mixed water
- 1/2" NPT female inlets
- 2-1/2" (64 mm) centers
- 1/2" NPT female outlet



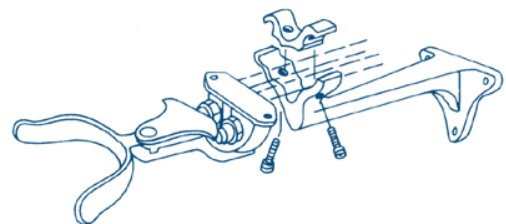
**B-0475-LKS** Same as B-0475 except with 1/2" NPT straight loose key stops

### B-0474 Wall Support for Knee Action Valve

- Cast aluminum
- Approximately 11-1/2" (292 mm) from wall to front
- For installation where knee action valve cannot be fastened to horizontal sink support bar
- Bracket supports inlet pipes



### B-0474 Wall Bracket with B-0475 Knee Valve



### B-0509 Double Knee Pedal Valve

- Inlets on 2-1/2" (64 mm) centers
- Approximately 24" (610 mm) from floor to base of valve
- Pedals 6-1/4" (159 mm) long



## Dummy Goosenecks

### B-0520 and B-0520-F1 Series Rigid Gooseneck Spout

- Deck mounted
- 5-1/2" (140 mm) rigid spread gooseneck (120X)
- B-LT stream regulator outlet
- 10-1/4" (260 mm) high from deck to top of gooseneck
- 5-1/8" (130 mm) clearance from deck to stream regulator outlet



Note: If stream regulator with flow control is desired, refer to the chart below and add the suffix numbers to indicate flow control.  
For ex.: B-0520-F03 (flow control of .25 GPM)

#### Stream Regulator Flow Control Options:

| Flow (GPM) | Suffix |
|------------|--------|
| .25        | -F03   |
| .40        | -F05   |
| .70        | -F07   |
| .90        | -F10   |
| 1.20       | -F12   |
| 1.40       | -F15   |
| 2.0        | -F20   |

#### Plain End/Laminar Flow Control Options:

| Flow (GPM) | Suffix  |
|------------|---------|
| .25        | -F1-F03 |
| .40        | -F1-F05 |
| .70        | -F1-F07 |
| .90        | -F1-F10 |
| 1.20       | -F1-F12 |
| 1.40       | -F1-F15 |
| 2.0        | -F1-F20 |

Note: if a plain end (laminar) with flow control is desired, refer to the chart, right, and add the suffix numbers to indicate a plain end spout (-F1) with flow control.  
For ex.: B-0520-F1-03, (flow control of .25 GPM)

- B-0520-01** Same as B-0520 except with 5-1/4" (133 mm) overall height and 1-3/4" (44 mm) clearance
- B-0521** Same as B-0520 except with aerator (B-0199-02) and 4-3/4" (121 mm) clearance from deck to aerator
- B-0522** Same as B-0520 except with B-0103 rosespray with 4-7/16" (113 mm) clearance from deck to aerator
- B-0523** Same as B-0521 except with 122X gooseneck, 12-1/4" (311 mm) high from deck to top of gooseneck and 6-3/4" (171 mm) clearance from deck to aerator (B-0199-02)
- B-0524** Same as B-0522 except with 122X gooseneck, 12-1/4" (311 mm) high from deck to top of gooseneck and 6-7/16" (113 mm) clearance from deck to rosespray (B-0103)
- B-0546** Same as B-0545 except with swivel spout 5-13/16" (147 mm) clearance from deck to plain end outlet, 5-11/16" (144 mm) spread and 10" (254 mm) overall height

### B-0525 Swivel Goosenecks and Swing Spouts

- 3/8" NPT female inlet
- 5-3/4" (146 mm) spread swivel gooseneck (133X)
- 9-1/16" (230 mm) to top of gooseneck
- B-PT stream regulator outlet
- 5-1/16" (129 mm) clearance from center of inlet to stream regulator



#### Swivel Goosenecks:

- B-0527** Same as B-0525 except with B-0199-01 aerator
- B-0528** Same as B-0525 except with B-0103-01 rosespray outlet

#### Swing Spouts:

- B-0526-2** Same as B-0525 except with 6" (152 mm) swing nozzle (059X)
- B-0526-3** Same as B-0525 except with 8" (203 mm) swing nozzle (060X)
- B-0526-4** Same as B-0525 except with 10" (254 mm) swing nozzle (061X)
- B-0526-5** Same as B-0525 except with 12" (305 mm) swing nozzle (062X)

### B-0529 Swivel Gooseneck Spout

- 3/8" NPT female inlet
- 2-3/4" (70 mm) spread swivel gooseneck
- B-0199-01 aerator (2.2 GPM)
- 4-3/4" (121 mm) to top of gooseneck
- 2-1/4" (57 mm) clearance from center of inlet to aerator



### B-0529-01 Swivel Gooseneck Spout

- Wall mounted
- 3/8" NPT female inlet
- 9-5/16" high swivel gooseneck (132X) with 2-5/8" (67 mm) spread
- B-LT stream regulator
- 5-13/16" (148 mm) clearance from center line of inlet to outlet of stream regulator
- 2-5/8" (67 mm) spread



Find other "Outlet" options, including water-saving outlets for these goosenecks on pages D72-73

## Dummy Goosenecks

### B-0535 Rigid Gooseneck Spout

- Wall mounted
- 3/8" NPT female inlet
- 5-9/16" (141 mm) rigid spread gooseneck (120X)
- 10-5/8" (270 mm) to top of gooseneck
- Rosespray outlet (B-0103)
- 5" (127 mm) clearance from center line of inlet to outlet of rosespray
- 7-9/16" (192 mm) from wall to outlet of rosespray
- 2" (51 mm) flange diameter



### B-0536 Rigid Gooseneck Spout

- 1/2" NPT female inlet
- 11-3/8" (267 mm) to top of gooseneck
- 5-3/4" (146 mm) clearance from center of inlet to rosespray
- 5-1/2" (140 mm) rigid gooseneck (120X)
- Rosespray outlet (B-0103)



## Bubblers

### B-2360 Bubbler



- Flexible mouth guard
- Fast self-closing cartridge with lever handle
- Hidden flow control
- 1/2" NPSM shank and coupling nut



### B-2360-01-PA Bubbler with Pivot Action Metering Valve

- Flexible mouth guard
- Hidden flow control
- 1/2" NPSM shank and coupling nut



Antimicrobial Handles Available

- B-2360-02** Same as B-2360 except with removable anti-rotation pins and forged brass mouth guard
- B-2360-03** Same as B-2360 except with forged brass mouth guard and push-button metering cartridge and removable anti-rotation pins
- B-2360-04** Same as B-2360-02 except with 3" x 4" backing plate
- B-2360-01-AR** Same as B-2360 except with push button metering handle and anti-rotation pins
- B-2360-AR** Same as B-2360 except with anti-rotation pins

### B-2360-01 Bubbler

- Flexible mouth guard
- Push-button metering cartridge
- Hidden flow control
- 1/2" NPSM shank and coupling nut
- Threaded holes on bottom flange accept anti-rotation pins



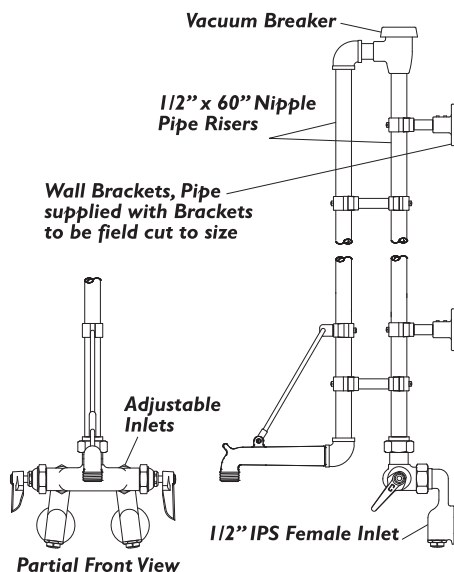


## Service Sink Faucets

- Built-in screwdriver stops (on select models) allow water shut-off for maintenance on faucet, ie.: removal and replacing Eterna cartridges
- Internal spring checks (on select models) prevent crossflow and back flow of water

### B-0491-01 Service Sink Faucet with Elevated Vacuum Breaker

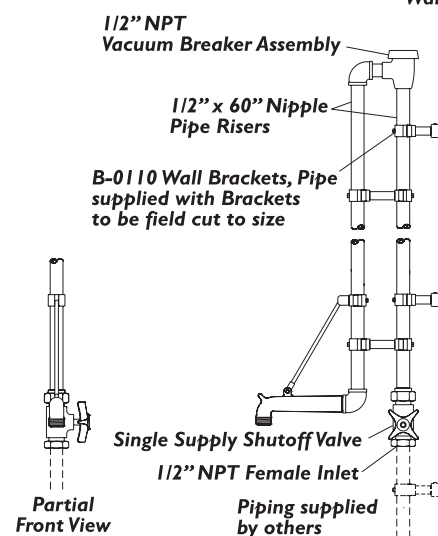
- 5' elevated atmospheric vacuum breaker
- 6" service sink spout with garden hose thread outlet
- Furnished with top spout brace and (2) B-0110 wall brackets
- 1/2" NPT female flanged adjustable inlets with screwdriver stop (00XX)



### B-0492-01 Service Sink Faucet with Elevated Vacuum Breaker

- Single temperature supply stop
- 5' elevated atmospheric vacuum breaker
- 6" service sink spout with garden hose thread outlet
- Furnished with top spout brace and (2) B-0110 wall brackets

**Note: Raised Vacuum Breaker assembly shipped unassembled**



### B-0650-BSTP Service Sink Faucet

- Built in screwdriver stops
- 8" (203 mm) centers
- 5-1/4" (133 mm) clearance wall to center line of faucet
- 12-1/4" (311 mm) from wall to center of outlet
- Polished chrome plated finish
- Bottom support wall brace
- 1/2" NPT female eccentric flanged inlets (00AA)

**B-0650-01** Same as B-0650-POL except with 6" wrist-action handles (B-WH6) and 00XX flanges, adjustable on a 2-1/2" radius, 9-5/16" (237 mm) from wall to center of outlet

**B-0650-BSTR** Same as B-0650-BSTP except with rough chrome plated finish

**B-0650-POL** Same as B-0650-BSTP except without built-in stops

**B-0650-RGH** Same as B-0650-BSTR except without built-in stops

**B-0650-02** Same as B-0650-01 except 15-3/4" (400 mm) from wall to center of outlet



## Service Sink Faucets

### B-0651-POL Service Sink Faucet

- 8" (203 mm) centers
- 5-1/4" (133 mm) clearance from wall to center line of faucet
- 12" (305 mm) from wall to center of outlet
- Polished chrome plated finish
- Bottom support wall brace
- Pail hook
- Plain end spout
- 1/2" NPT female inlets with loose key stops (00JJ-XT)

**B-0651-06** Same as B-0651-POL except with 6" wrist-action handles (B-WH6)  
**B-0362** Same as B-0651-06 except with 3/4" garden hose threads and 15" (375 mm) from center of wall to outlet  
**B-0651-RGH** Same as B-0651-06 except with rough chrome plated finish



### B-0655-01 Service Sink Faucet

- 1/2" NPT female flanged adjustable inlet with screwdriver stops (00XX)
- Inlets adjustable on a 2-1/2" radius
- 6" wrist-action handles (B-WH6)
- Vacuum breaker nozzle with 3/4" garden hose thread and pail hook
- Bottom support and wall brace

**B-0655-02** Same as B-0655-01 except 15-3/4" (400 mm) from wall to center of outlet  
**B-0652** Same as B-0655-02 except without garden hose threads and without vacuum breaker



### B-0655-BSTP Service Sink Faucet

- Built-in screwdriver stops
- 8" (203 mm) centers adjustable from 7-3/4" (197 mm) to 8-1/4" (210 mm)
- 5-1/8" (130 mm) clearance from wall to center line of faucet
- 11-5/8" (295 mm) from wall to center of outlet
- Polished chrome plated finish
- Vacuum breaker nozzle with 3/4" garden hose thread and pail hook
- Bottom support wall brace
- Inlet extensions 5-1/8" from wall to center of faucet

**B-0655-BSTR** Same as B-0655-BSTP except with rough chrome plated finish  
**B-0655-POL** Same as B-0655-BSTP except without built in stops  
**B-0655-RGH** Same as B-0655-BSTR except without built in stops  
**B-0656-POL** Same as B-0655-BSTP except with integral stops (inlets not eccentric)  
**B-0656-RGH** Same as B-0655-BSTR except with integral stops (inlets not eccentric)



Service Sink Faucets

**B-0657**  
Service Sink Faucet

- 8" (203 mm) centers
- 5-1/8" (130 mm) clearance from wall to center line of faucet
- 11-5/8" (295 mm) from wall to center of outlet
- Polished chrome plated finish
- Vacuum breaker nozzle with 3/4" garden hose thread and pail hook
- 1/2" NPT female inlet with loose key stops (OOJJ)
- B-WH6 6" (152 mm) wrist-action handles
- Bottom support wall brace
- 1/2" NPT female inlets



**B-0657-01** Same as B-0657 except with top yolk style brace  
**B-0657-BST** Same as B-0657 except without OOJJ stops.  
 Includes built in stops in body of faucet

**B-0660-POL**  
Service Sink Faucet

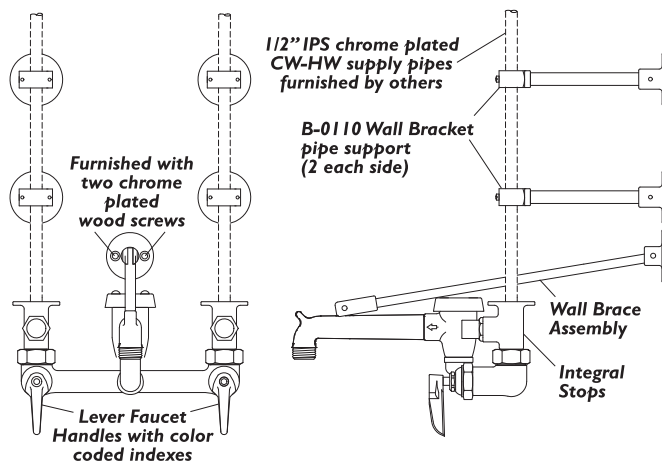
- 8" (203 mm) centers adjustable from 7-3/4" (197 mm) to 8-1/4" (210 mm)
- 9" (229 mm) from back of inlets to center of outlet
- Polished chrome plated finish
- Top support wall brace
- 2-3/8" (60 mm) from wall to center line of faucet
- 1/2" NPT female eccentric flanged inlets (OOAA)



**B-0660-BSTP** Same as B-0660-POL except with built-in stops  
**B-0660-BSTR** Same as B-0660-BSTP except with rough chrome plated finish  
**B-0660-RGH** Same as B-0660-POL except with rough chrome plated finish  
**B-0661-POL** Same as B-0660-POL except with OOJJ stops 10" (254 mm) from wall to center of outlet  
**B-0661-RGH** Same as B-0661-POL except with rough chrome plated finish

**B-0662**  
Service Sink Faucet  
with Ceiling Supply

- Polished chrome plated finish
- 8" (203 mm) centers
- OOJJ stops
- Wall brace assembly
- Lever faucet handles
- Vacuum breaker
- Wall braces designed for exposed ceiling supplies
- May be factory adjusted for floor supplies when specified



NEW MODELS!

## Service Sink Faucets

- Built-in screwdriver stops (on select models) allow water shut-off for maintenance on faucet, ie.: removal and replacing Eterna cartridges
- Internal spring checks (on select models) prevent crossflow and back flow of water

### B-0664 Service Sink Faucet

- Polished chrome plated finish
- B-WH6 6" wrist action handles
- 1/2" NPT female inlet with loose key stops (00JJ)
- 8" (203 mm) centers
- 9-1/2" (241 mm) from wall to center of outlet
- 3-3/8" (86 mm) from wall to center of faucet
- Bottom wall support
- 3/4" garden hose threads and pail hook

**B-0664-01** Same as B-0664 except with plain end spout, and 15" (381 mm) from wall to outlet and 8-7/8" (225 mm) from wall to center of faucet

**B-0664-02** Same as B-0664 except with plain end spout, and 11-1/4" (286 mm) from wall to outlet and 5-1/8" (130 mm) from wall to center of faucet



### B-0665-BSTP Service Sink Faucet

- Built in screwdriver stops
- 8" (203 mm) centers adjustable from 7-3/4" (197 mm) to 8-1/4" (210 mm)
- 2-3/8" (60 mm) clearance from wall to center line of faucet
- 8-7/8" (225 mm) from wall to center of outlet
- Polished chrome plated finish
- Vacuum breaker nozzle with 3/4" garden hose thread and pail hook
- Top support wall brace
- 1/2" NPT female inlet
- Includes spring checks

**B-0658** Same as B-0665-BSTP except with 00JJ stops, 9-7/8" (251 mm) from wall to center of outlet and B-WH6 6" (152 mm) wrist-action handles

**B-0665-BSTP-963** Same as B-0665-BSTP except with B-0963 vacuum breaker

**B-0665-BSTP-CVB** Same as B-0665-BSTP except with continuous vacuum breaker

**B-0665-BSTPM** B-0665-BSTP Master Box (6)

**B-0665-BSTPM24** B-0665-BSTP Master Box (24)

**B-0665-BSTR** Same as B-0665-BSTP except with rough chrome plated finish

**B-0665-BSTR-963** Same as B-0665-BSTR except with B-0963 vacuum breaker

**B-0665-BSTR-CVB** Same as B-0665-BSTR except with continuous vacuum breaker

**B-0665-BSTRM** B-0665-BSTR Master Box (6)

**B-0665-BSTRM12** B-0665-BSTR Master Box (12)

**B-0665-CR-BSTR** Same as B-0665-BSTR except with ceramic cartridges

**B-0665-POL** Same as B-0665-BSTP except without built-in stops

**B-0665-RGH** Same as B-0665-BSTR except without built-in stops

**B-0666-POL** Same as B-0665-POL except with integral stops 9-7/8" (251 mm) from wall to center of outlet, 3-7/8" (86 mm) from wall to center line of faucet

**B-0666-RGH** Same as B-0665-RGH except with integral stops 9-7/8" (251 mm) from back of inlets to center of outlet, 3-7/8" (86 mm) from wall to center line of faucet

**B-1958** Same as B-0658 except 11-5/8" (295 mm) from wall to center of outlet, 4-arm handles (175F)



## Service Sink Faucets

- Built-in screwdriver stops (on select models) allow water shut-off for maintenance on faucet, i.e.: removal and replacing Eterna cartridges
- Internal spring checks (on select models) prevent crossflow and back flow of water

### B-0667-POL Service Sink Faucet

- 1/2" NPT female flanged adjustable inlets with screwdriver stops (OOXX)
- Adjustable centers from 2-1/4" (57 mm) to 8-1/4" (210 mm)
- 9-1/2" (241 mm) from back of inlets to center of outlet
- Polished chrome plated finish
- Atmospheric vacuum breaker nozzle with 3/4" garden hose thread and pail hook
- Top support wall brace
- Includes spring checks



- B-0667-POLM** B-0667-POL Master Box (6)
- B-0667-RGH** Same as B-0667-POL except with rough chrome plated finish
- B-0667-RGHM** B-0667-RGH Master Box (6)
- B-0667-RGHM24** B-0667-RGH Master Box (24)
- B-0668-POL** Same as B-0667-POL except without integral stops in adjustable inlets
- B-0668-RGH** Same as B-0667-RGH except without integral stops in adjustable inlets

### B-0669-POL Service Sink Faucet

- 1/2" NPT female flanged adjustable inlets with screwdriver stops (OOXX)
- Adjustable centers from 2-1/4" (57 mm) to 8-1/4" (210 mm)
- 5-1/2" (140 mm) from back of inlets to center of outlet
- Polished chrome plated finish
- Atmospheric vacuum breaker nozzle with 3/4" garden hose thread
- Includes spring checks



- B-0669-01** Same as B-0669-POL except with B-0673 spout
- B-0669-RGH** Same as B-0669-POL except with rough chrome plated finish
- B-0670-POL** Same as B-0669-POL except without integral stops in adjustable inlets
- B-0670-01** Same as B-0670-POL except with B-0673 spout
- B-0670-RGH** Same as B-0669-RGH except without integral stops in adjustable inlets

### B-0671-POL Service Sink Outlet

- 6-1/8" (156 mm) from back of inlets to center of outlet
- Polished chrome plated finish
- Nozzle has 3/4" garden hose thread and pail hook
- Top support wall brace
- 1/2" NPT female inlet



- B-0671-RGH** Same as B-0671-POL except with rough chrome plated finish

### B-0672-POL Service Sink Faucet

- 8" (203 mm) centers adjustable from 7-3/4" (197 mm) to 8-1/4" (210 mm)
- 4-5/16" (110 mm) from back of inlets to center of outlet
- Polished chrome plated finish
- Plain end spout with pail hook
- 1/2" NPT female eccentric flanged inlets (OOAA)



- B-0672-RGH** Same as B-0672-POL except with rough chrome plated finish
- B-0673-POL** Same as B-0672-POL except with 3/4" garden hose thread on nozzle
- B-0673-RGH** Same as B-0672-RGH except with 3/4" garden hose thread on nozzle

## Service Sink and Sill Faucets

NEW MODELS!

- Built-in screwdriver stops (on select models) allow water shut-off for maintenance on faucet, ie.: removal and replacing Eterna cartridges
- Internal spring checks (on select models) prevent crossflow and back flow of water

### B-0674-BSTP Service Sink Faucet

- 8" (203 mm) centers adjustable from 7-3/4" (197 mm) to 8-1/4" (210 mm)
- 4-3/4" (121 mm) from wall to center of outlet
- Polished chrome plated finish
- Vacuum breaker nozzle with pail hook and 3/4" garden hose thread
- 1/2" NPT female eccentric flanged inlets (00AA)
- Includes spring checks



- B-0674-BSTPM** B-0674-BSTP Master Box (6)
- B-0674-BSTR** Same as B-0674-BSTP except with rough chrome plated finish
- B-0674-BSTRM** B-0674-BSTR Master Box (6)
- B-0674-CR-POL** Same as B-0674-POL except with ceramic cartridges
- B-0674-POL** Same as B-0674-BSTP except without built-in stops
- B-0659** Same as B-0674-POL except with 6" wrist-action handles (B-WH6)
- B-0674-POLM** B-0674-POL Master Box (6)
- B-0674-RGH** Same as B-0674-POL except with rough chrome plated finish
- B-0674-RGHM** B-0674-RGH Master Box (6)
- B-0674-RGHM24** B-0674-RGH Master Box (24)
- B-0693-POL** Same as B-0674-POL except with garden hose outlet and 00JJ inlets with integral stops
- B-2271** Same as B-0674-BSTP except with 3/4"-11 1/2" male garden hose outlet w/ quick-disconnect fitting, rough chrome finish
- B-2271-CR** Same as B-2271 except with ceramic cartridges with check valves

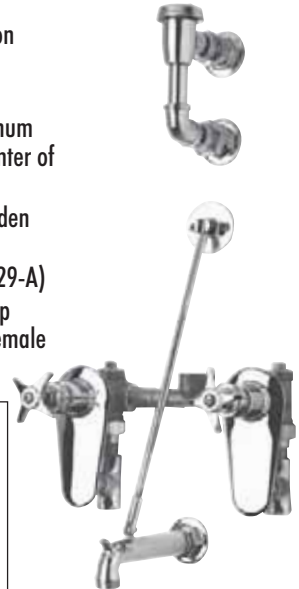
### B-0692 Service Sink Outlet

- Concealed loose key valve with 1/2" NPT female inlet (B-0127)
- Nozzle with 3/4" garden hose thread outlet
- Elevated vacuum breaker (B-0929-A)



### B-0695-ST Service Sink Fitting

- Concealed bypass mixing valve on 8" (203 mm) centers
- 1/2" NPT pipe outlet
- Roughing 2-1/2" (64 mm) minimum to 3-1/2" (89 mm) maximum center of inlets to finished wall face
- Top braced nozzle with 3/4" garden hose thread and pail hook
- Elevated vacuum breaker (B-0929-A)
- Loose key valves behind teardrop flanged outlets with 1/2" NPT female inlets and outlets



- B-0695** Same as B-0695-ST except without integral stops, includes standard flanges and with B-0969 vacuum breaker; includes loose key stops behind flanges

### B-0697 Service Sink Fitting

- Concealed mixing valve with 1/2" NPT union inlet
- 8" (203 mm) centers
- Roughing 2-1/2" (64 mm) minimum to 3-3/4" (95 mm) maximum center of inlets to finished wall face
- Braced nozzle with 3/4" garden hose thread and pail hook
- 1/2" NPT female inlet



- B-0698** Same as B-0697 except with solder type union inlets for 5/8" (16 mm) O.D. copper tubing
- B-0699** Same as B-0697 except with vacuum breaker nozzle
- B-0699-ST** Same as B-0699 except with integral stops and teardrop flanges

### Service Sink Faucets

#### B-2480 Service Sink Faucet

- 1/2" NPT female inlets
- Rough chrome plated finish
- 8" (203 mm) centers adjustable from 7-3/4" (197 mm) to 8-1/4" (210 mm)
- 2-3/8" (60 mm) from wall to center of faucet
- 4-5/16" (110 mm) from wall to center of outlet
- 3/4" garden hose outlet and pail hook
- Four-arm handles (175F)



### Sill and Heavy Duty Sink Faucets

#### B-0700 Single Sink Faucet

- 1/2" NPT female inlet
- 3-7/8" (98 mm) from outlet to center of spout
- Four-arm handle (175F)

**B-0700-LT-CR-K** Same as B-0700 except with B-LT outlet, ceramic cartridge and inlet installation kit  
**B-0702** Same as B-0700 except with 3/4" garden hose outlet



#### B-0703 Single Sink Faucet

- 1/2" NPT male inlet
- 3-1/2" (89 mm) wall to center of spout
- Four-arm handle (175F)

**B-0704** Same as B-0703 except with 3/4" garden hose outlet



#### B-0706 Self-Closing, Single Sink Faucet

- 1/2" NPT female inlet
- 3-7/8" (98 mm) wall to center of spout
- Four-arm handle (061L)
- Quick self-closing valve

**B-0707** Same as B-0706 except with 3/4" garden hose outlet



### Accessories

#### B-0618-01 Reinforced PVC Hose

- Reinforced PVC hose
- 3' (914 m) long
- 3/4" garden hose inlet
- Plain outlet



**B-0618-02** Same as B-0618-01 except with 4' (1.2 m) hose  
**B-0618-03** Same as B-0618-01 except with 5' (1.5 m) hose

#### B-0653 Mop Hanger



- Stainless steel mop hanger
- Three spring-loaded rubber grips
- 24" (610 mm) long x 3-3/4" (95 mm) wide

#### B-0654 Stainless Steel Hose Bracket

- Stainless steel hose bracket
- Spring-loaded rubber grip
- 3' (914 mm) rubber hose (B-0618-01) with 3/4" garden hose inlet



#### B-0708 Self-closing, Single Sink Faucet

- 1/2" NPT male inlet
- 3-1/2" (89 mm) wall to center of spout
- Four-arm handle (061L)
- Quick self-closing valve

**B-0709** Same as B-0708 except with 3/4" garden hose outlet

**B-0709-JJ** Same as B-0709 except with JJ union coupling inlet with loose key stop



## Sill and Heavy Duty Sink Faucets

### B-0710 Single Basin Faucet

- 1/2" NPS male shank
- 4-1/8" (105 mm) from center of faucet to center of spout
- Four-arm handle (175F)
- B-0109-01 aerator
- 10° angle on aerator



**B-0710-01** Same as B-0710 except with alpine handle (076F)

**B-0710-WS** Same as B-0710 except with low-flow aerator (1.5 GPM)

**B-0711** Same as B-0710 except with quick self-closing valve, four arm handle (061L)

New  
Water-Saving  
Model

### B-0717 Single Sink Faucet

- 1/2" NPT male inlet
- Adjustable flange
- 5" (127 mm) from inlet to center of outlet
- Lever handle (177F)
- 3/4" garden hose outlet



**B-0718** Same as B-0717 except with four arm handle (175F)

### B-0730 Sill Faucet

- 1/2" NPT female flanged inlet
- Key (001802-45) or screwdriver controlled handle
- 3/4" garden hose outlet
- Rough chrome plated finish



**B-0730-POL** Same as B-0730 except with polished chrome plated finish

**B-0731-POL** Same as B-0730-POL except with 3/4" female inlet

### B-2460 Single Basin Faucet

- 1/2" NPS male shank
- 4-1/8" (105 mm) from center of faucet to center of spout
- 4" wrist-action ceramic cartridge assembly
- Anti-rotation cover plate
- 10° angle on aerator



### B-0715 Single Sink Faucet

- 1/2" NPT male inlet
- Adjustable flange
- 6" (152 mm) inlet to center of outlet
- Lever handle (177F)
- Plain outlet



**B-0716** Same as B-0715 except with four arm handle (175F)

### B-0720 Sill Faucet with Vacuum Breaker

- 1/2" NPT female flanged inlet
- Key (001802-45) or screwdriver controlled handle
- Atmospheric vacuum breaker
- 3/4" garden hose outlet
- Polished chrome plated finish



**B-0720-RGH** Same as B-0720 except with rough chrome plated finish

**B-2301** Same as B-0720 except with four arm handle (175F)

### B-0736-POL Sill Faucet with Vacuum Breaker

- 1/2" NPT female flanged inlet
- Loose key included (001802-45) or screwdriver controlled handle
- Removable vacuum breaker
- 3/4" garden hose outlet
- Polished chrome plated finish



**B-0736** Same as B-0736-POL except with rough chrome finish

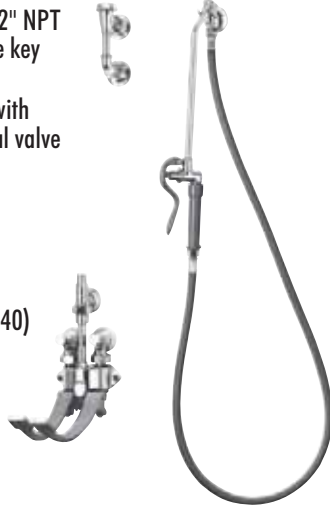
**B-0737** Same as B-0736-POL except with 3/4" female inlet and rough chrome finish

**B-0737-POL** Same as B-0736-POL except with 3/4" female inlet

## Bedpan Washers

### B-0675 Bedpan Washer

- Pedal valve (B-0504-01) with 1/2" NPT female inlets with integral loose key angle stops (B-1350)
- Volume control valve (B-1355) with 3/8" NPT female outlet on pedal valve
- Vacuum breaker (B-0929) with 3/8" NPT flanged inlet
- Wall hook hose connection with 3/8" NPT flanged inlet
- 5' (1.5 m) PVC hose (B-0068-R) with self closing valve (002865-40)



**B-0676** Same as B-0675 except with extended spray connected directly to hose – self closing valve is omitted

**B-0676-54V** Same as B-0676 except with 54" (1372 mm) vinyl hose

### B-0678 Bedpan Washer

- 1/2" NPT female loose key angle inlet valve with shut-off and vacuum breaker (B-0968) outlet
- 5' (1.5 m) PVC hose (B-0068-R) with self closing valve (002865-40)



**B-0679** Same as B-0678 except with extended spray connected directly to hose – self closing valve is omitted

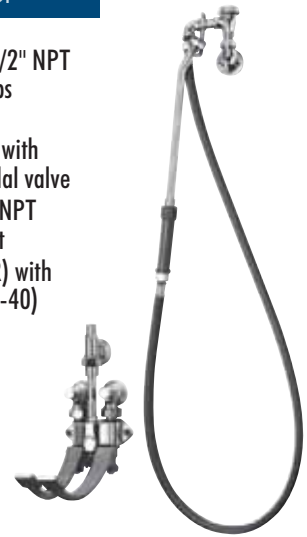
### B-0687 Bedpan Washer

- Single pedal valve (B-0508-01) with 1/2" NPT female inlet with integral stops (B-1350)
- Volume control valve (B-1355) with 3/8" NPT female outlet on pedal valve
- Vacuum breaker has 3/8" NPT female flanged inlet and outlet
- 5' (1.5 m) PVC hose (B-0068-R) with self closing valve (002861-40)



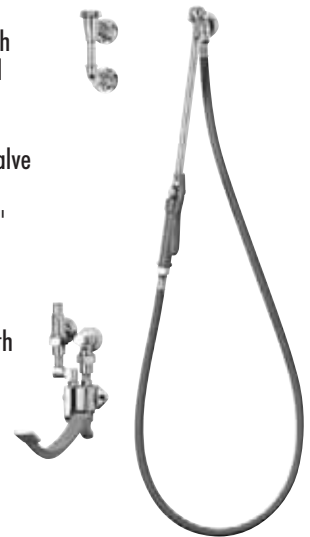
### B-0677 Bedpan Washer

- Pedal valve (B-0504-01) with 1/2" NPT female inlets with integral stops (B-1350)
- Volume control valve (B-1355) with 3/8" NPT female outlet on pedal valve
- Vacuum breaker unit has 3/8" NPT female flanged inlet and outlet
- 5' (1.5 m) PVC hose (B-0068-R) with extended spray outlet (002861-40)



### B-0685 Bedpan Washer

- Single pedal valve (B-0508-01) with 1/2" NPT female inlet with integral stops (B-1350)
- Volume control valve (B-1355) with 3/8" NPT female outlet on pedal valve
- Vacuum breaker (B-0929) with 3/8" NPT inlet and outlet on 3-3/4" (95 mm) centers
- Wall hook hose connection with 3/8" NPT female flanged inlet
- 5' (1.5 m) PVC hose (B-0068-R) with self closing valve (002865-40)

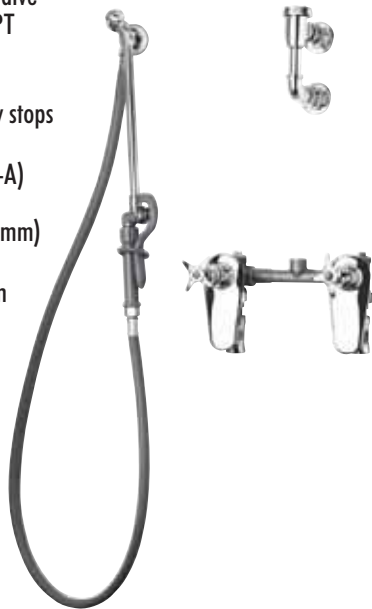


**B-0686** Same as B-0685 except with extended spray connected directly to hose – self closing valve is omitted

## Bedpan Washers

### B-0680-ST Bedpan Washer

- Concealed bypass mixing valve (B-1035-ST) with 1/2" NPT female union inlets on 8" (203 mm) centers
- Integral straight loose key stops (B-0416)
- Vacuum breaker (B-0929-A) with 1/2" NPT female connection on 3-3/4" (95 mm) centers
- Wall hook hose connection with 3/8" NPT female flanged inlet
- 5' (1.5 m) PVC hose (B-0068-R) with self closing spray valve (002865-40)



### B-0682-ST Bedpan Washer

- Concealed bypass mixing valve (B-1035-ST) with 1/2" NPT female union inlets on 8" (203 mm) centers
- Integral straight loose key stops (B-0416)
- Front mount vacuum breaker outlet
- 5' (1.5 m) PVC hose (B-0068-R) with self closing spray valve (002865-40)
- Wall hook (B-0104-D)



**B-0682** Same as B-0682-ST except without loose key stops

### B-0104 Wall Hook Outlet

- 3/8" NPT flanged female inlet
- All brass, chromium plated
- 3/4" - 14 male outlet



### B-0104-D Dummy Wall Hook

- Attaches to wall with screws provided
- Flange diameter 2" (51 mm)



## Bedpan Washers, Hoses and Sprays

### B-0690 Bedpan Washer with Self Closing Spray Valve

- 1/2" NPT male inlet adapter (055A)
- 5' (1.5 m) reinforced PVC hose (B-0068-R)
- Self closing spray valve (002865-40)



### B-0691 Bedpan Washer with Extended Spray Outlet

- 1/2" NPT male inlet adapter (055A)
- 5' (1.5 m) reinforced PVC hose (B-0068-R)
- Extended spray outlet (002861-40)





Concealed Single Valves

**B-1020**  
Concealed Bypass Valve

- 1/2" NPT female inlet and outlet
- Four arm handle – "Cold"
- Adjustable wall flange



**B-1025-ST**  
Concealed Straight Valve

- 1/2" NPT inlet and outlet
- Integral stop
- Tear drop flange



**B-1027-UCP**  
Concealed Straight Loose Key Stop

- 1/2" NPT female inlet and outlet

**B-1027** Same as B-1027-UCP except without a union coupling nut  
**B-1028** Same as B-1027 except with built-in check valve feature



**B-1025**  
Concealed Straight Valve

- 1/2" NPT female inlet and outlet
- Four arm handle – "Cold"
- Adjustable wall flange



**B-1025-1** Same as B-1025 except with "Hot" handle  
**B-1026-1** Same as B-1025 except with clear alpine handle (001144-45) "Hot"

**B-1029-PA**  
Concealed Straight Valve

NEW!

- Straight pivot action metering valve
- 1/2" NPT female inlet and outlet
- Vandal resistant
- Blank index



**B-1029**  
Concealed Straight Valve

- Straight slow self-closing valve
- 1/2" NPT female inlet and outlet
- Vandal resistant
- Blank index



**B-1029-1** Same as B-1029 except indexed "Cold"  
**B-1029-2** Same as B-1029 except indexed "Hot"

Concealed Bypass Mixing Valves

**B-1035**  
Concealed Bypass Mixing Valve

- 8" (203 mm) centers
- 1/2" NPT female union inlets
- 1/2" NPT female bottom outlet
- Four arm handles (175F)



**B-1035-ST** Same as B-1035 except with loose key handle integral stops

Accessories

**B-0900**  
Spray Assembly

- 3' (.9 m) stainless steel spray assembly
- 2-3/4" (70 mm) diameter rubber bumper
- 1/2" NPT male adapter furnished on inlet



**B-1091**  
Deluxe Shower Head

NEW FEATURES!

- 2.2 GPM @ 60 PSI / 2.5 GPM @ 80 PSI flow rate
- 1/2" NPT inlet
- Adjustable wall flange
- Solid brass construction
- Brass ball swivel joint and shank
- Spray adjusting peanut handle
- 2-3/4" face
- 6 Lexan deposit-resisting plungers with 48 spray channels
- Pressure-compensating limiter precisely control jets and channels transforming any water pressure into forceful, fully adjustable spray
- Transition from needling full-body to rinsing gentle rain to drenching full-flood sprays



**B-1095**  
Bath Tub Spout

- Chrome plated finish
- 3/4" NPT female inlet
- Furnished with twin el flow diverter



**B-1090**  
Shower Head

- 2.2 GPM @ 60 PSI / 2.5 GPM @ 80 PSI flow rate
- Adjustable spray shower head
- 1/2" NPT male arm
- Adjustable wall flange
- Ball joint head



**B-1092**  
Vandal Resistant Shower Head

- 2.2 GPM @ 60 PSI / 2.5 GPM @ 80 PSI flow rate
- Wall mounted vandal resistant shower head
- 1/2" NPT back inlet



**B-1097**  
Two-Way Diverter Valve

- Used to divert flow between shower and hand spray
- 1/2" NPT female connections
- Lever handle (177F)



Notes

|  |  |
|--|--|
|  |  |
|  |  |
|  |  |
|  |  |
|  |  |
|  |  |
|  |  |
|  |  |
|  |  |
|  |  |
|  |  |

NEW! Pressure Balancing Shower Valve, Assemblies and Parts



**B-3200 Series**  
Pressure Balancing Shower Valve,  
Shower Head and Tub Spout

- Solid brass pressure balancing shower valve with replaceable cartridge
- Integral supply stops
- Temperature limit stop
- 2.5 GPM polished chrome shower head with ball joint, arm and wall flange assembly
- Polished chrome rotary handle
- Polished chrome faceplate with screws and gasket
- Solid brass tub spout with diverter lift knob in polished chrome plated finish
- ASSE 1016 Listed
- Sweat connections



**B-3200 Series Parts and Accessories:**

|                  |  |
|------------------|--|
| <b>017439-45</b> | Solid brass tub spout with diverter lift knob, polished chrome finish      |
| <b>017441-45</b> | Ceramic cartridge, rotary actuation with adjustable temperature limit stop |
| <b>017442-45</b> | Polished chrome shower head with ball joint, arm and wall flange assembly  |
| <b>017443-45</b> | Polished chrome rotary handle  |
| <b>017444-45</b> | Polished chrome face plate with screws and gasket                          |

**B-3205**  
Pressure Balancing Shower  
Valve Assembly

- Includes pressure balancing shower valve and hand held spray assembly with flow control (thumb valve adjusts flow from 0.5 GPM to 2.0 GPM)
- Sweat connections on shower valve



**B-3201**  
Pressure Balancing  
Shower Valve Assembly

- Same as B-3200 except without tub spout
- Sweat connections on shower valve



**B-3204**  
Pressure Balancing  
Shower Valve

- Pressure balancing shower valve with trim plate and handle
- Sweat connections on shower valve



D  
46

**B-3204-PBV**  
Pressure Balancing  
Shower Valve

- Pressure balancing shower valve
- Sweat connections on shower valve

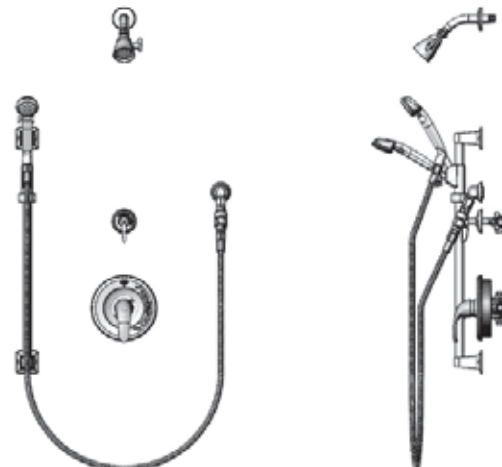


**B-3206**  
Pressure Balancing Shower Valve  
Assembly

- Includes B-3201 pressure balancing shower valve assembly without tub spout, B-1097 diverter valve and B-0925 Shower Queen spray assembly with grab bar
- Sweat connections on shower valve

**B-3206-VB**  
Pressure Balancing Shower Valve Assembly

- Same as the B-3206 and includes a B-0970-01 wall-mounted vacuum breaker attached to Shower Queen spray hose assembly
- Sweat connections on shower valve



**NEW!** Pressure Balancing Shower Valve with Threaded Connections



**B-3300 Series**  
Pressure Balancing Shower Valve, Shower Head  
and Tub Spout with Threaded Connections

- Solid brass pressure balancing shower valve with replaceable cartridge
- **NEW!** Threaded connections for easy installation
- Integral supply stops
- Temperature limit stop
- 2.5 GPM polished chrome shower head with ball joint, arm and wall flange assembly
- Polished chrome rotary handle
- Polished chrome faceplate with screws and gasket
- Solid brass tub spout with diverter lift knob in polished chrome plated finish
- ASSE 1016 Listed



**B-3300 Series Parts and Accessories:**

|                  |  |
|------------------|--|
| <b>017439-45</b> | Solid brass tub spout with diverter lift knob, polished chrome finish      |
| <b>017441-45</b> | Ceramic cartridge, rotary actuation with adjustable temperature limit stop |
| <b>017442-45</b> | Polished chrome shower head with ball joint, arm and wall flange assembly  |
| <b>017443-45</b> | Polished chrome rotary handle  |
| <b>017444-45</b> | Polished chrome face plate with screws and gasket                          |

**B-3301**  
Pressure Balancing Shower  
Valve Assembly

- Same as B-3200 except without tub spout
- Threaded connections on shower valve



**B-3304**  
Pressure Balancing  
Shower Valve

- Pressure balancing shower valve with trim plate and handle
- Threaded connections on shower valve



**B-3304-PBV**  
Pressure Balancing  
Shower Valve

- Pressure balancing shower valve
- Threaded connections on shower valve



**B-3306**  
Pressure Balancing Shower Valve  
Assembly

- Includes B-3301 pressure balancing shower valve assembly without tub spout, B-1097 diverter valve and B-0925 Shower Queen spray assembly with grab bar
- Threaded connections on shower valve

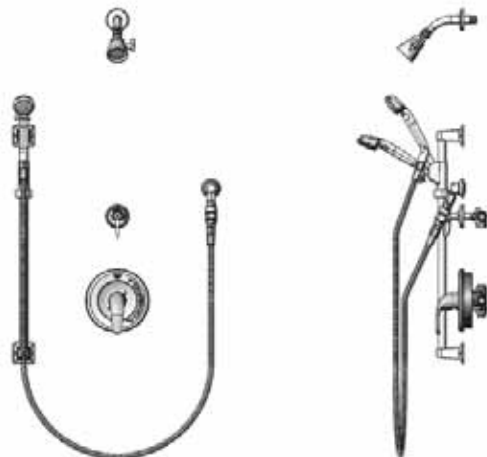
**B-3305**  
Pressure Balancing Shower  
Valve Assembly

- Includes pressure balancing shower valve and hand held spray assembly with flow control (thumb valve adjusts flow from 0.5 GPM to 2.0 GPM)
- Threaded connections on valve



**B-3306-VB**  
Pressure Balancing Shower Valve Assembly

- Same as the B-3306 and includes a B-0970-01 wall-mounted vacuum breaker attached to Shower Queen spray hose assembly
- Threaded connections on shower valve



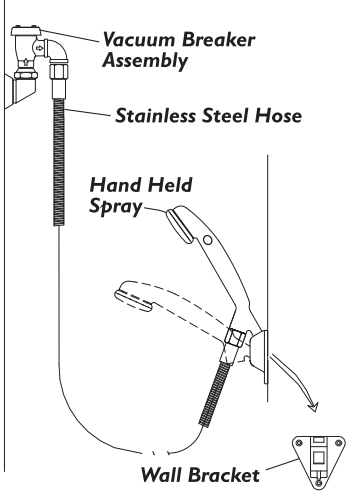


“Shower Queen” Flexible Personal Spray Assemblies



**B-0930**  
Shower Queen Assembly

- Wall outlet with 1/2" NPT female inlet
- 5 ft. (1.5 mm) stainless steel hose (013E-60)
- Wall bracket to hold spray head at two angles
- Atmospheric vacuum breaker
- Throttle down thumb valve on spray assembly switches flow between 2.0 GPM and 0.5 GPM



**B-0937**  
Shower Queen Assembly

- 1/2" NPT male inlet
- 60" (1.5 mm) stainless steel hose (013E-60)
- Hand held spray (SQ-0095)
- Throttle down thumb valve on spray assembly switches flow between 2.0 GPM and 0.5 GPM
- Wall spray bracket (SQ-0092)



**B-0938**  
Shower Queen Assembly

- 1/2" NPT male inlet
- 60" (1.5 m) vinyl hose (013E-60V)
- Hand held spray (SQ-0095)
- Throttle down thumb valve on spray assembly switches flow between 2.0 GPM and 0.5 GPM
- Wall spray bracket (SQ-0092)



“Shower Queen” Accessories

**B-0940**  
Vertical Grab Bar with Sliding Spray Bracket

- 24" (610 mm) long vertical grab bar
- Sliding spray bracket



**SQ-0092**  
Wall Spray Bracket

- Mounts to wall
- Holds personal spray
- Two position sockets



Also available:  
**SQ-0093** Wall outlet assembly, 3/8" NPT inlet  
**SQ-0093-LF** Wall outlet less flange, 3/8" NPT inlet  
**SQ-0094** Wall outlet assembly with male adapter  
**SQ-0099** Sliding spray bracket

**SQ-0100**  
Diverter Valve

- 1/2" NPT female inlet
- 1/2" NPT male outlet
- Diverts water to hand held spray by pulling knob
- Mounts on existing shower arm before shower head



**SQ-0095**  
Shower Queen Hand Spray

**NEW DESIGN!**

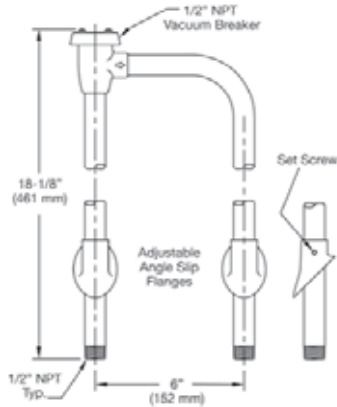
- Hand spray with adjusting thumb valve button to throttle down water flow, from 2.0 GPM to 0.5 GPM



## Vacuum Breaker Assemblies

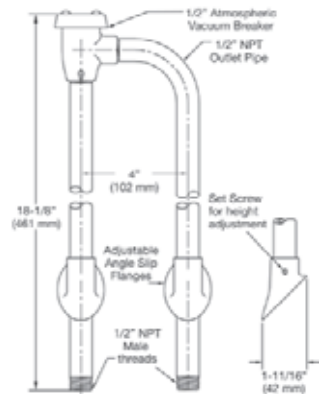
### B-0455 Vacuum Breaker Assembly

- 6" (152 mm) C/C mounting vacuum breaker unit
- 1/2" NPT



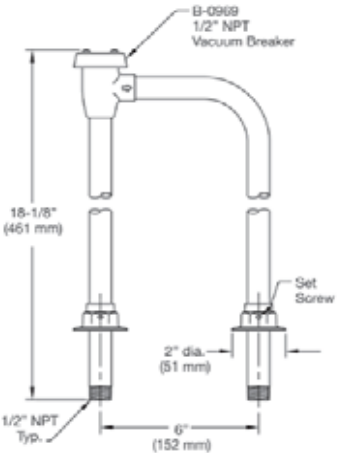
### B-0455-04 Vacuum Breaker Assembly

- 4" (102 mm) C/C mounting vacuum breaker unit
- 1/2" NPT
- Adjustable angle slip flanges
- Factory pre-assembled



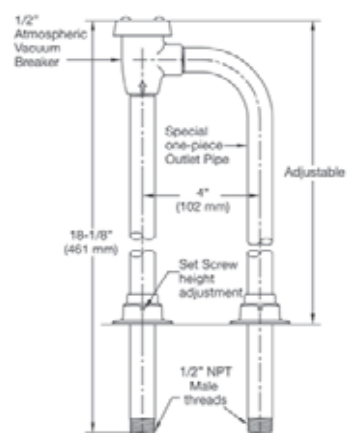
### B-0456 Vacuum Breaker Assembly

- 6" (152 mm) C/C mounting vacuum breaker unit
- 1/2" NPT
- Adjustable flanges
- Pipes must be held rigid under sink with connection fitting, brace, etc.



### B-0456-04 Vacuum Breaker Assembly

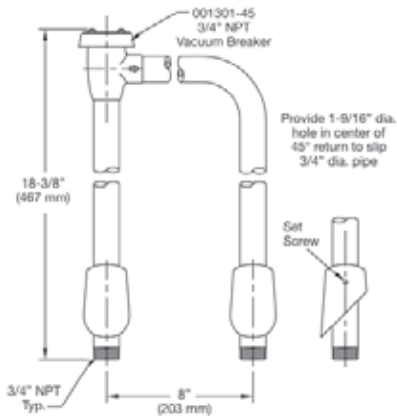
- 4" (102 mm) C/C mounting vacuum breaker unit
- 1/2" NPT
- Adjustable flanges
- Factory pre-assembled



D  
50

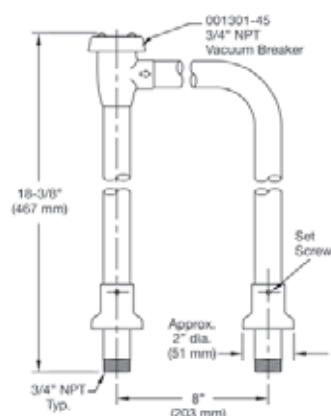
### B-0457 Vacuum Breaker Assembly

- 8" (203 mm) C/C mounting vacuum breaker unit
- 3/4" NPT
- Pipes must be held rigid under sink with connection fitting, brace, etc.



### B-0458 Vacuum Breaker Assembly

- 8" (102 mm) C/C mounting vacuum breaker unit
- 3/4" NPT
- Adjustable angle slip flanges
- Pipes must be held rigid under sink with connection fitting, brace, etc.



Lab Hose Cocks and Turrets

**BL-4000-01**  
Hose Cock

- CSA approved
- 3/8" NPT male inlet
- Serrated hose tip
- Snap-in color index; specify gas, air or vacuum
- Length 3-3/16" (81 mm); height 2-1/2" (63 mm)



Note: **should not** be used for water, steam or oxygen

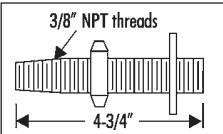
**BL-4000-01M** Master Box (12)

**BL-4100-0**  
Laboratory Turret

- Two 3/8" NPT female outlets at 90°
- 3/8" NPT female inlet
- Black plastic mounting gasket included
- 2" (51 mm) diameter; height 2-9/16" (65 mm)
- 2" (51 mm) height to center of outlet



- BL-4100-01** 3/8" NPT female bottom inlet; 3/8" NPT female side outlet (1)
- BL-4100-02** Two outlets at 180°
- BL-4100-03** Three outlets
- BL-4100-04** Four outlets
- BL-4100-05** Top outlet only



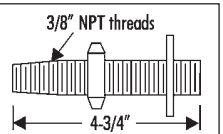
Note: BL-5500-10 supply nipple and locknut ordered separately

**BL-4102-0**  
Vandal Resistant Lab Turret

- 1/4" diameter stud to prevent rotation
- Black plastic mounting gasket included
- 2" (51 mm) diameter; height 3" (76 mm)
- 2-1/8" (54 mm) height to center of outlet
- 3/8" NPT female inlet
- Two 3/8" NPT female side outlets



- BL-4102-01** 3/8" NPT female bottom inlet; 3/8" NPT female side outlet (1)
- BL-4102-02** Two outlets at 180°



Note: BL-5500-10 supply nipple and locknut ordered separately

**BL-4010-01**  
Needle Valve

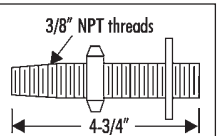
- 3/8" NPT male inlet
- Floating stainless steel needle point
- Serrated hose tip
- For use with oxygen, hydrogen or other special gases
- Length 3-3/16" (81 mm); height 2-15/16" (75 mm)
- 125 PSI maximum pressure



Note: **should not** be used for water or steam

**BL-4200-0**  
Turret with Two Hose Cocks

- 3/8" NPT female inlet
- Snap-in color coded index; specify gas, air or vacuum
- Diameter 2" (51 mm); height 3-9/16" (90 mm)
- Two hose cocks at 90°
- Not recommended for pressures in excess of 30 PSI



Note: BL-5500-10 supply nipple and locknut ordered separately

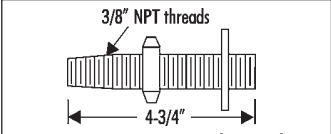
- BL-4200-01** Turret with hose cock
- BL-4200-02** Turret with two hose cocks at 180°
- BL-4200-04** turret with four hose cocks

**BL-4203-0**  
Vandal Resistant Turret with Hose Cock

- 1/4" diameter stud to prevent rotation
- 3/8" NPT female bottom inlet
- Two 3/8" NPT hose cocks at 90°
- 2" (51 mm) diameter; 3-11/16" (94 mm) height
- 2-1/8" (54 mm) height to center of outlet
- Snap-in color coded index; specify gas, air or vacuum
- Not recommended for pressures in excess of 30 PSI



- BL-4203-01** 3/8" IPS female side outlet (one)
- BL-4203-02** Turret with two hose cocks at 180°
- BL-4203-04** Turret with four hose cocks



Note: BL-5500-10 supply nipple and locknut ordered separately

Panel Flanges, Hose Cocks and Turrets

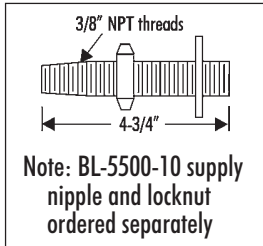
**BL-4210-01**  
Turret with Needle Valve

- 3/8" NPT female bottom inlet
- One 3/8" NPT hose cock
- 2" (51 mm) diameter; 4-3/8" (111 mm) height
- 2" (51 mm) height to center of outlet
- Valve has floating stainless steel needle point
- For use with oxygen, hydrogen or other special gases



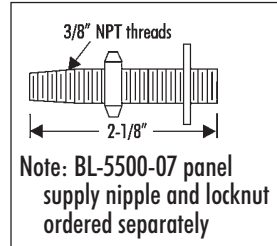
**BL-4210-0**

**BL-4210-0** Turret with two needle hose cocks at 90° (shown above)  
**BL-4210-02** Turret with two needle hose cocks at 180°



**BL-4250-01**  
Panel Flange with Hose Cock

- 3/8" NPT female inlet
- Ground key hose cock
- Serrated hose tip
- 4-1/2" (114 mm) length
- 2" (51 mm) flange diameter
- Snap-in color coded index; specify gas, air or vacuum
- Not recommended for pressures in excess of 30 PSI



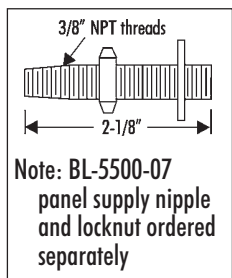
**BL-4250-07**  
Flanged Elbow

- 3/8" IPS female inlet and outlet
- 2" (51 mm) flange diameter
- 2-1/16" (52 mm) from flange surface to center of outlet
- Can be mounted vertically or horizontally



**BL-4250-02**  
Double Panel Flange with Two Hose Cocks

- 3/8" NPT female inlet
- Dual ground key hose cocks with serrated hose tips
- 3-7/8" (98 mm) from wall
- 1-13/16" (46 mm) flange diameter
- 6-1/8" (156 mm) width
- Snap-in color coded index; specify gas air or vacuum
- Not recommended for pressures in excess of 30 PSI



**Inset: BL-4250-05**  
Double panel flange with 3/8" NPT inlet and dual outlets

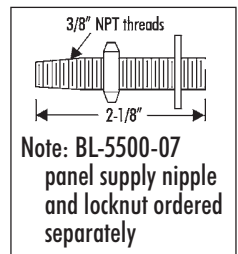


**BL-4260-01**  
Panel Flanges with Needle Valve

- 3/8" NPT female inlet
- Needle valve with serrated hose tip
- 4-1/2" (114 mm) length from wall to tip
- 2" (51 mm) diameter flange
- Snap-in color coded index; specify gas, air or vacuum



**Inset: BL-4250-03** Panel flange with 3/8" NPT female inlet and outlet  
**BL-4250-04** Same as BL-4250-03 except with 1/2" NPT female inlet and outlet  
**BL-4250-06** Same as BL-4250-03 except with 1/2" NPT female inlet, 3/8" NPT female outlet



**BL-4250-08**  
Wye Fitting

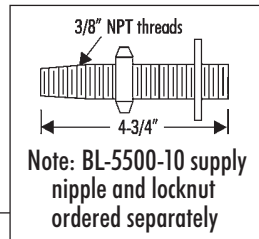
- 3/8" NPT male inlet
- Two 3/8" NPT female outlets
- 70° angle between outlets



Panel Flanges, Stops and Turrets

**BL-4300-0**  
Turret with Two Straight Stops

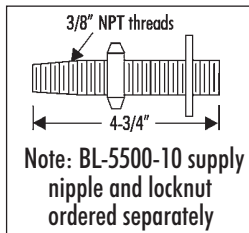
- Turret with two straight stops (BL-4500-1) at 90°
- 3/8" NPT female inlet
- Serrated hose tips
- 5-1/2" (140 mm) from center of inlet to end of tip
- 5-1/2" (140 mm) height
- 2" (51 mm) diameter turret
- Snap-in color coded index; specify gas, air or vacuum



- BL-4300-01** Turret with one straight stop
- BL-4300-02** Turret with two straight stops at 180°
- BL-4300-04** Turret with four stops

**BL-4422-0**  
Turret with Two Water Outlets

- 2" (51 mm) diameter turret base
- Double water outlet with angle serrated hose tips at 90°
- Atmospheric vacuum breaker
- 3/8" NPT female inlet



- BL-4422-01** Same as BL-4422-0 except with one water outlet

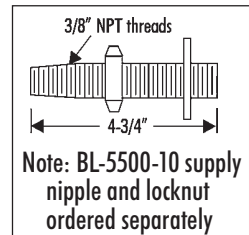
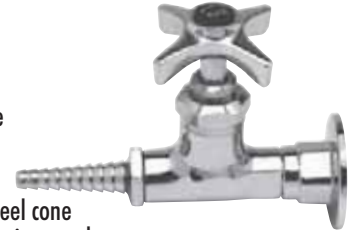
**BL-4501-01**  
Straight Stop

- Straight stop for special gases
- 3/8" NPT male inlet
- Internal floating stainless steel cone regulates gas flow as handle is turned
- Serrated hose tip



**BL-4350-01**  
Panel Flange with Straight Stop

- 3/8" NPT female inlet
- Serrated hose tip
- 5-5/8" (143 mm) length
- 2" (51 mm) diameter flange
- Snap-in color coded index; specify gas, air or vacuum
- Internal floating stainless steel cone regulates gas flow as handle is turned
- Forged brass four arm handle



- BL-4355-01** Same as BL-4350-01 except for water; specify hot or cold

**BL-4500-01**  
Straight Stops

- 3/8" NPT male inlet
- 5" (127 mm) length
- Removable serrated hose tip
- Forged brass four-arm handle
- Snap-in color coded index; specify gas, air or vacuum
- Internal floating stainless steel cone regulates gas flow as handle is turned



- BL-4500-02** Same as BL-4500-01 except with Eterna construction for water; specify hot or cold
- BL-4500-04** Same as BL-4500-03 except with angle serrated tip

**BL-4520-01**  
Angle Stop

- 3/8" NPT male inlet
- Serrated hose tip
- Floating stainless steel cone and removable seat
- Forged brass four-arm handle with colored index
- Snap-in color coded index; specify gas, air or vacuum
- 3-1/2" (89 mm) length from center
- 4-5/8" (117 mm) height



Note: 3/8" NPT female or 1/2" NPT male inlet available upon request

- BL-4520-02** Same as BL-4520-01 except Eterna construction for water; specify hot or cold

Remote Control Valve Units

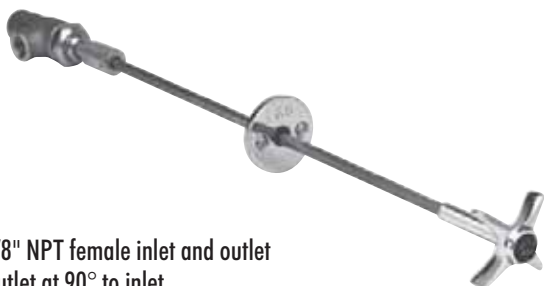
**BL-4700-01**  
Remote Control Straight Valve Unit



- 3/8" NPT female inlet and outlet
  - Stainless steel floating cone and removable seat
  - Snap-in color coded index; specify gas, air or vacuum
  - Specify distance from center of valve to face of panel – standard is 18" (457 mm)
  - Furnished with polished chrome guide for use on wood furniture
- Note: Valve can be furnished with 3/8" NPT male or 1/2" NPT male inlet when specified

**BL-4700-01MF** Same as BL-4700-01 except with guide bushing for metal furniture  
**BL-4700-02** Same as BL-4700-01 except with Eterna construction for water; specify hot or cold

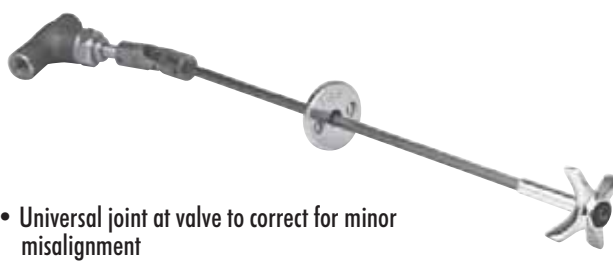
**BL-4720-01**  
Remote Control Angle Valve Unit



- 3/8" NPT female inlet and outlet
  - Outlet at 90° to inlet
  - Stainless steel floating cone and removable seat
  - Snap-in color coded index; specify gas, air or vacuum
  - Specify distance from center of valve to face of panel – standard is 18" (457 mm)
  - Furnished with polished chrome guide for use on wood furniture
- Note: Valve can be furnished with 3/8" NPT male or 1/2" NPT male inlet when specified

**BL-4720-01MF** Same as BL-4720-01 except with guide bushing for metal furniture  
**BL-4720-02** Same as BL-4720-01 except with Eterna construction for water; specify hot or cold  
**BL-4720-02MF** Same as BL-4720-02 except with guide bushing for metal furniture  
**BL-4720-03** Same as BL-4720-01 except with stainless steel floating cone and seat for steam. With black heat resistant handle

**BL-4710-01**  
Remote Control Straight Valve Unit



- Universal joint at valve to correct for minor misalignment
  - 3/8" NPT female inlet and outlet
  - Stainless steel floating cone and removable seat
  - Specify gas, air or vacuum
  - Specify distance from center of valve to face of panel – standard is 18" (457 mm)
  - Furnished with polished chrome guide for use on wood furniture
- Note: Valve can be furnished with 3/8" NPT male or 1/2" NPT male inlet when specified

**BL-4710-02** Same as BL-4710-01 except with Eterna construction for water; specify hot or cold  
**BL-4710-03** Same as BL-4710-01 except with stainless steel floating cone and seat for steam. With black heat resistant handle

**BL-4730-03**  
Remote Control Angle Valve Unit



- Universal joint at valve to correct for minor misalignment
  - 3/8" NPT female inlet and outlet
  - Stainless steel floating cone and seat for steam
  - Black heat-resistant handle (not shown)
  - Snap-in color coded index; specify gas, air or vacuum
  - Specify distance from center of valve to face of panel – standard is 18" (457 mm)
  - Furnished with polished chrome guide for use on wood furniture
- Note: Valve can be furnished with 3/8" NPT male or 1/2" NPT male inlet when specified



Support Rods and Accessories

**BL-9000-01**  
Upright Rod

- 3/4" (19 mm) diameter aluminum rod
- 39" (991 mm) long
- Tapered on one end to fit BL-9000-09 flush plate

**BL-9000-09**  
Flush Plate

- 1-1/8" (29 mm) diameter shank
- Fits table tops from 3/4" (19 mm) to 1-1/2" (38 mm) thick
- Fits into recess in table to receive BL-9000-01 upright rods
- Satin chrome plated brass

**BL-9000-10**  
Clamp

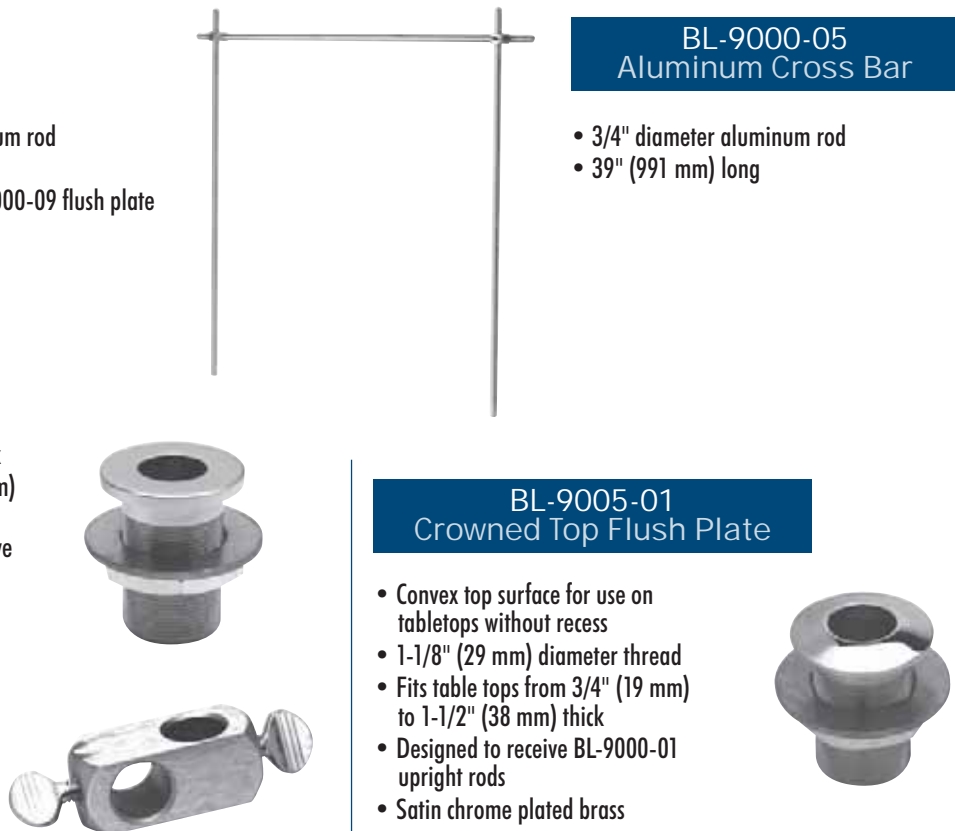
- For 3/4" (19 mm) diameter aluminum rods
- Satin aluminum finish

**BL-9000-05**  
Aluminum Cross Bar

- 3/4" diameter aluminum rod
- 39" (991 mm) long

**BL-9005-01**  
Crowned Top Flush Plate

- Convex top surface for use on tabletops without recess
- 1-1/8" (29 mm) diameter thread
- Fits table tops from 3/4" (19 mm) to 1-1/2" (38 mm) thick
- Designed to receive BL-9000-01 upright rods
- Satin chrome plated brass



Double Ledge Faucets

**BL-5700-01**  
Double Ledge Faucet

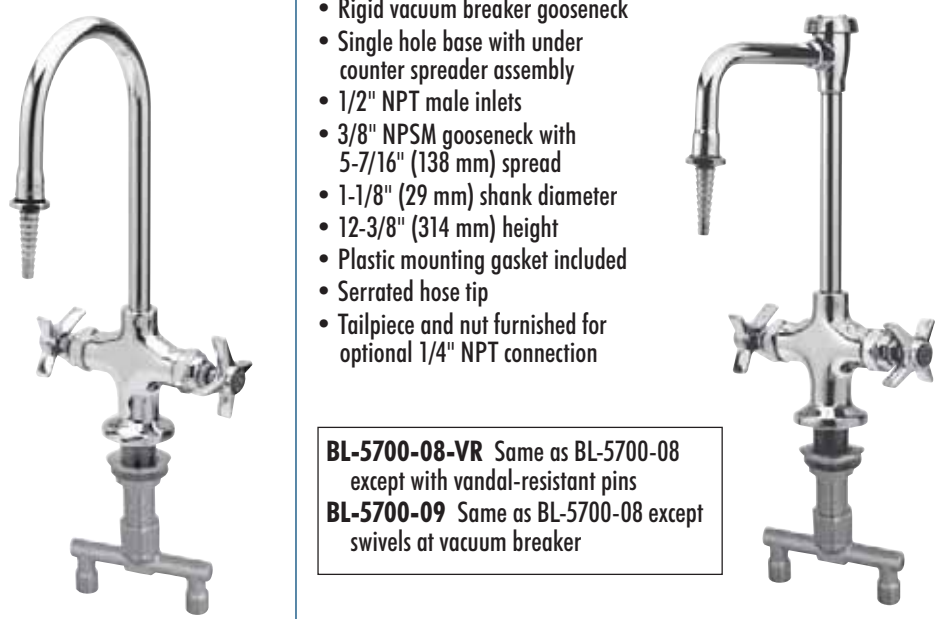
- Single hole base with under counter spreader assembly
- 1/2" NPT male inlets
- 3/8" NPSM gooseneck, 5-1/2" (140 mm) spread
- 1-1/8" (25 mm) shank diameter
- 13-11/16" (347 mm) height
- Plastic mounting gasket included
- Serrated hose tip
- Tailpiece and nut furnished for optional 1/4" NPT connection

**BL-5700-08**  
Double Ledge Faucet

- Rigid vacuum breaker gooseneck
- Single hole base with under counter spreader assembly
- 1/2" NPT male inlets
- 3/8" NPSM gooseneck with 5-7/16" (138 mm) spread
- 1-1/8" (29 mm) shank diameter
- 12-3/8" (314 mm) height
- Plastic mounting gasket included
- Serrated hose tip
- Tailpiece and nut furnished for optional 1/4" NPT connection

**BL-5700-02** Same as BL-5700-01 except with swivel gooseneck, 13-5/8" (346 mm) height  
**BL-5700-03** Same as BL-5700-01 except with swivel gooseneck with swivel to rigid conversion washer  
**BL-5700-04** Same as BL-5700-01 except with B-0199-02 aerator in place of serrated tip

**BL-5700-08-VR** Same as BL-5700-08 except with vandal-resistant pins  
**BL-5700-09** Same as BL-5700-08 except swivels at vacuum breaker



## Double Ledge Faucets

### BL-5704-01 Double Ledge Faucet

- 1/2" NPT male inlets
- Single hole base with under counter spreader assembly
- 3/8" NPSM gooseneck, 5-1/2" (140 mm) spread
- 1-1/8" (25 mm) shank diameter
- 13-11/16" (347 mm) height
- Plastic mounting gasket included
- Serrated hose tip
- Tailpiece and nut furnished for optional 1/4" NPT connection



- BL-5704-02** Same as BL-5704-01 except with swivel gooseneck
- BL-5704-03** Same as BL-5704-01 except with swivel gooseneck (5-7/8") spread and swivel to rigid conversion washer
- BL-5704-04** Same as BL-5704-01 except with B-0199-02 aerator in place of serrated tip (2.2 GPM)
- BL-5704-05** Same as BL-5704-04 except with quarter-turn eterna cartridges and 4" (102 mm) wrist action handles except with B-0199-02 aerator in place of serrated tip (2.2 GPM)

### BL-5704-08 Double Ledge Faucet

- Rigid vacuum breaker gooseneck
- 1/2" NPT male inlets
- Single hole base with under counter spreader assembly
- 3/8" NPSM gooseneck with 5-11/16" (144 mm) spread
- 1-1/8" (29 mm) shank diameter
- 12-3/8" (314 mm) height
- Plastic mounting gasket included
- Serrated hose tip
- Tailpiece and nut furnished for optional 1/4" NPT connection



- BL-5704-09** Same as BL-5704-08 except swivels at vacuum breaker
- BL-5704-08WH4** Same as BL-5704-08 except with 4" (102 mm) wrist action handles

## Single Ledge Lab Faucets

### BL-5705-01 Single Ledge Faucet

- Rigid gooseneck
- 1/2" NPSM shank
- 3/8" NPSM gooseneck with 5-5/8" (144 mm) spread
- 14-1/8" (359 mm) height
- Plastic mounting gasket included
- Removable serrated hose tip
- Specify hot or cold
- Fits ledge up to 1-1/2" (28 mm) thick
- Tailpiece and nut furnished for optional 1/4" NPT connection



- BL-5705-02** Same as BL-5705-01 except with swivel gooseneck, height 14-3/16" (360 mm)
- BL-5705-03** Same as BL-5705-01 except with swivel gooseneck with rigid to swivel conversion washer
- BL-5705-04** Same as BL-5705-01 except with B-0199-02 aerator in place of serrated tip

### BL-5705-08 Single Ledge Faucet

- Rigid vacuum breaker gooseneck
- 1/2" NPSM shank
- 3/8" NPSM gooseneck with 5-11/16" (144mm) spread
- 1-1/8" (29 mm) shank diameter
- 12-3/4" (324 mm) height
- Plastic mounting gasket included
- Serrated hose tip
- Specify hot or cold
- Fits ledge up to 1-1/2" (38 mm) thick
- Tailpiece and nut furnished for optional 1/4" NPT connection



- BL-5705-09** Same as BL-5705-08 except with swivel at vacuum breaker
- BL-5705-08-VR** Same as BL-5705-08 except with vandal-resistant anti-rotation screws in base, vandal-resistant handle and vandal-resistant loctited joints

Lab Faucets

**BL-5710-01**  
Single Sink Faucet

- 1/2" NPT female inlet
- 3/8" NPSM rigid gooseneck
- 11" (279 mm) height from center of inlet to top of gooseneck
- 5-5/8" (143 mm) gooseneck spread
- 8-1/2" (210 mm) distance from wall to outlet
- Specify hot or cold water
- Serrated hose tip



**BL-5710-03** Same as BL-5710-01 except with swivel gooseneck  
**BL-5710-07** Same as BL-5710-01 except with rigid vacuum breaker nozzle, 10-1/16" (256 mm) height from center of inlet to top of vacuum breaker  
**BL-5710-09** Same as BL-5710-01 except with swivel vacuum breaker nozzle  
**BL-5860-01TL** Same as BL-5710-01 except interior tin-lined for distilled water, with four arm handle

**BL-5715-08**  
Ledge Mixing Faucet

- Rigid vacuum breaker nozzle
- 1/2" NPT female inlets on 8" (203 mm) centers
- 3/8" NPSM rigid gooseneck
- 11-15/16" (303 mm) height from deck to top of vacuum breaker
- 5-7/16" (138 mm) nozzle spread
- Serrated hose tip



**BL-5715-01** Same as BL-5715-08 except with standard rigid gooseneck (inset, above)  
**BL-5715-02** Same as BL-5715-01 except with standard swivel gooseneck  
**BL-5715-09** Same as BL-5715-08 except with swivel vacuum breaker nozzle

**BL-5725-08**  
Sink Mixing Faucet

- Rigid vacuum breaker nozzle
- 1/2" NPT female inlets on 8" (203 mm) centers, wall mount
- 3/8" NPSM gooseneck
- 9-1/2" (241 mm) height from center of inlet to top of gooseneck
- 5-7/16" (138 mm) gooseneck spread
- Serrated hose tip



**Inset: BL-5725-01** Same as BL-5725-08 except with standard rigid gooseneck  
**BL-5725-02** Same as BL-5725-01 except with standard swivel gooseneck  
**BL-5725-09** Same as BL-5725-08 except with swivel vacuum breaker gooseneck

**BL-5707-01**  
Single Science Table Faucet

- Vandal resistant single science table faucet
- 1/2" NPSM shank
- 2" (51 mm) diameter on base
- Two brass balls lock into table top indents to prevent vandalizing (drilling template included)
- 13-3/16" (335 mm) height
- 6-1/2" (166 mm) spread nozzle
- 1/2" NPT heavy duty riser pipe
- Serrated hose tip
- Tailpiece and nut furnished for optional 1/4" NPT connection



**BL-5707-04** Same as BL-5707-01 except handle is 180° to nozzle

Lab Faucets

**BL-5707-03**  
Combination Science Table Faucet

- Vandal resistant combination science table faucet
- 1/2" NPSM shank
- 2" (51 mm) diameter on bases
- 12-3/4" (324 mm) height
- Two brass balls lock into table top indents to prevent vandalizing (drilling template included)
- 5-7/16" (138 mm) spread nozzle
- 1/2" NPT heavy duty riser pipe
- Serrated hose tip
- Plastic mounting gasket included
- Specify distance between centers of faucets – standard is 6"
- One hot index, one cold index
- Tailpiece and nut furnished for optional 1/4" NPT connection



**BL-5709-01**  
Single Ledge Faucet

- 1/2" NPT shank
- 3/8" NPSM gooseneck with 5-5/8" (144 mm) spread
- 14-1/8" (359 mm) height
- Specify hot or cold water
- Serrated hose tip
- Plastic mounting gasket included
- Tailpiece and nut furnished for optional 1/4" NPT connection



**BL-5709-02** Same as BL-5709-01 except with swivel gooseneck, height 14-3/16" (360 mm)  
**BL-5709-04** Same as BL-5709-01 except with B-0199-02 aerator in place of serrated tip

**BL-5709-08**  
Single Ledge Faucet

- Rigid vacuum breaker nozzle
- 1/2" NPSM shank
- 3/8" NPSM gooseneck with 5-7/16" (138 mm) spread
- 12-11/16" (322 mm) height
- Serrated hose tip
- Plastic mounting gasket included
- Specify hot or cold water
- Tailpiece and nut furnished for optional 1/4" NPT connection



**BL-5709-09** Same as BL-5709-08 except with swivels at vacuum breaker  
**BL-5709-05** Same as BL-5709-09 except with swivel nozzle with swivel to rigid conversion washer and 4" (102 mm) wrist action handle  
**BL-5709-08WH4** Same as BL-5709-08 except with 4" (102 mm) wrist action handle

**BL-5735-01**  
Wall Mounted Mixing Faucet

- 1/2" NPT female inlets
  - Rigid gooseneck with 5-5/8" (143 mm) spread
  - Four arm handles
  - Serrated hose tip
- Note: 3/4" female inlets and swing nozzle available as modifications



**BL-5735-09** Same as BL-5735-08 except with swivel vacuum breaker gooseneck nozzle  
**BL-5735-02** Same as BL-5735-01 except with swivel gooseneck

Lab Faucets

**BL-5740-01**  
Sink Mixing Faucet

- 1/2" NPT female inlets adjustable from 2-1/4" (57 mm) to 8-1/4" (210 mm) centers
- 3/8" NPSM rigid gooseneck
- 10-1/4" (260 mm) height from center of faucet to top of gooseneck
- 8-1/2" (216 mm) from wall to outlet of gooseneck
- 5-5/8" (144 mm) gooseneck spread
- Serrated hose tip



**BL-5740-02** Same as BL-5740-01 except with swivel gooseneck  
**BL-5740-08** Same as BL-5740-01 except with rigid vacuum breaker nozzle

**BL-5755-01**  
Single Temperature Lab Faucet

- 1/2" NPSM male shank
- Fits ledges up to 1-1/2" (38 mm) thick
- 9" (229 mm) swing nozzle with stream regulator outlet
- Four arm handle
- Tailpiece and nut furnished for optional 1/4" NPT connection



**BL-5800-02**  
Single Supply Lab Faucet

- Serrated hose tip
- Four arm handle
- 1/2" NPT female inlet
- 4" (102 mm) length



**BL-5750-01**  
Sink Mixing Faucet

- 1/2" NPT male inlet
- 3/8" NPSM gooseneck
- Removable serrated hose tip
- Specify hot or cold water
- Tailpiece and nut furnished for optional 1/4" NPT connection



**BL-5775-08**  
Sink Mixing Faucet

- 1/2" NPT female inlets on 8" (203 mm) centers
- 8-5/8" (219 mm) vacuum breaker swing nozzle
- Serrated hose tip



**BL-5775-01** Same as BL-5775-08 except with standard swing nozzle, no vacuum breaker

**BL-5850-01**  
Single Self-Closing Ledge Faucet

- 1/2" NPT female inlet
- 3/8" NPSM rigid gooseneck
- Fits ledges up to 1-1/2" thick
- Serrated hose tip
- Specify hot or cold water
- Tailpiece and nut furnished for optional 1/4" NPT connection
- 14-1/8" (359 mm) height
- 5-5/8" (181 mm) spread
- Fast self closing four arm handle



**BL-5850-01TL** Same as BL-5850-01 except interior is tin-lined for distilled water  
**BL-5850-02** Same as BL-5850-01 except with swivel gooseneck

Lab Faucets

**BL-6000-02**  
Combination Gas and Water Faucet

- Combination unit with gooseneck and two hose cocks
- 3/8" NPT male inlets for water and gas
- Serrated hose tip
- Specify gas, air or vacuum to snap-in color coded index
- 10-1/2" (267 mm) height
- 6" (152 mm) spread gooseneck
- Four arm handle
- Furnished with two (2) supply nipples, special lock washer, lock nuts and mounting gasket



**BL-6000-03** Same as BL-6000-02 except 15-1/4" (387 mm) height and 8" (203 mm) spread gooseneck

**BL-6005-02**  
Combination Gas and Water Faucet

- Combination unit with rigid vacuum breaker nozzle and two hose cocks
- 3/8" NPT male inlets for water and gas
- Serrated hose tip
- Specify gas, air or vacuum to snap-in color coded index
- 11-1/2" (292 mm) height
- 6" (152 mm) spread gooseneck
- Four arm handle
- Furnished with two (2) supply nipples, special lock washer, lock nuts and mounting gasket



**BL-6005-03** Same as BL-6005-02 except with 8" gooseneck spread

Lab Faucets and Miscellaneous Fixtures

**BL-6050-01**  
Multi-Water Fixture

- 1/2" NPT female inlet
- 3/8" NPSM gooseneck
- 18-3/8" (466 mm) overall height
- 5-5/8" (143 mm) spread rigid gooseneck
- Serrated hose tip
- One bottom valve
- Four arm chrome plated brass handles with colored index buttons

Note: BL-5500-12 supply nipple and lock nut sold separately



**BL-6050-02** Same as BL-6050-01 except with two bottom valves at 180°

**BL-9505-01**  
PVC Single Ledge Faucet  
Compression Type

- PVC faucet with rigid gooseneck
- 1-1/4" (32 mm) diameter threaded shank and locknut
- Serrated hose tip
- 3/8" NPT female inlet
- All PVC for use with distilled water
- 12-1/4" (311 mm) height, 6-1/4" (159 mm) spread



**BL-9505-02** Same as BL-9505-01 except no shank and lock nut, with 1/2" NPT female inlet

**BL-9515-01**  
PVC Single Ledge Faucet Self-Closing

- PVC faucet with rigid gooseneck
- Dual lever control for manual or self-closing operation
- 1-1/4" (32 mm) dia. shank and locknut
- Serrated hose tip
- 3/8" NPT female inlet
- All PVC for use with distilled water
- 12-1/4" (311 mm) height, 6-1/4" (159 mm) spread



**BL-9515-02** Same as BL-9515-01 except no shank and lock nut, with 1/2" NPT female inlet

**BL-9515-03** Same as BL-9515-01 except self-closing only

**BL-5000-01**  
Double Pedal Valve

- Floor-mounted double pedal valve
- Self-closing valve with two pedals
- 1/2" NPT female inlets and outlet
- 2-1/2" (64 mm) center to center of inlets
- 1" (25 mm) from floor to center of inlets



**BL-5000-02**  
Single Pedal Valve

- Floor-mounted single pedal valve
- Self closing valve with one pedal
- 1/2" NPT female inlet and outlet
- 1" (25 mm) from floor to center of inlet



Lab Accessories

**BL-5500-0**  
Filter Pump (Aspirator)

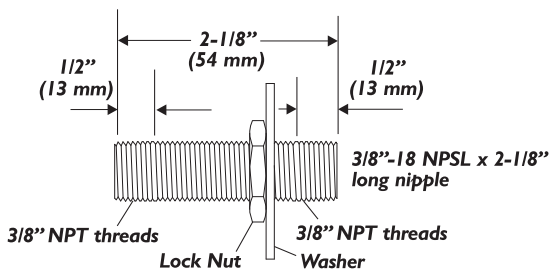
- 3/8" NPT male inlet
- Includes check valve
- 2-15/16" (75 mm) overall length
- Creates suction by water flow



**BL-5500-07**  
Supply Nipple Unit

- Supply nipple and lock nut
- 3/8" NPT threads
- 2-1/8" (54 mm) long
- Used with panel flanges

**BL-5500-09** Same as BL-5500-07 except with 1/2" NPT threads, 2" (51 mm) long for use on panel mount faucets



**BL-5505-07**  
Four Arm Handle

- Black polypropylene
- Color coded snap-in index button and screw



**BL-5545-01**  
Volume Control Unit

- Volume control fitting with adjustable volume control knob
- 3/8" NPT inlet and outlet



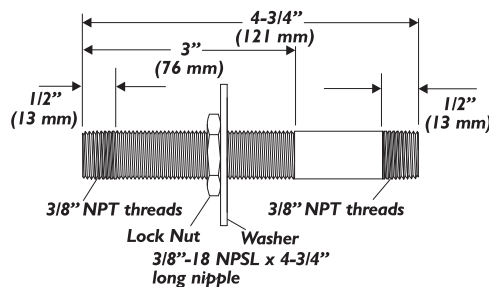
**BL-5500-03**  
6" Wrist Action Handle

- 6" (152 mm) long
- Can be used in place of lever handles originally furnished
- Chrome plated brass
- Includes color coded index button



**BL-5500-10**  
Supply Nipple Unit

- Supply nipple, lock nut and washer
- 3/8" NPT threads
- 4-3/4" (121 mm) long
- For use with BL-4100 turret series



**BL-5500-08** Same as BL-5500-10 except with 1/2" NPT threads, 3-3/8" (86 mm) long; for use on ledge mount faucets

**BL-5550-01**  
Non-Splash Aerator

- Aerator with 3/8" NPSM male adapter
- Fits lab goosenecks

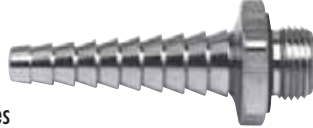


**BL-5550-01F** Same as BL-5550-01 except with flow control

Lab Accessories

**BL-5550-04**  
Straight Serrated Hose Tip

- 3/8" (9 mm) NPT male inlet
- Serrated hose tip
- 2-5/8" (67 mm) long
- Fits lab goosenecks and nozzles



**BL-5550-05** Same as BL-5550-04 except with angle tip

**BL-5550-10**  
Vacuum Breaker

- Garden hose vacuum breaker prevents back siphonage
- 3/4" female garden hose inlet and male outlet
- Used to attach garden hose to unprotected hose bibb outlets



**BL-5550-23**  
Rigid to Swivel Adapter

- Converts 3/8" NPT rigid outlet to swivel
- Accepts T&S goosenecks and swing nozzles
- Use two washers (part no. 000986-45) to make nozzle or gooseneck rigid
- 1-5/16" (33 mm) height



**BL-5550-09**  
Vacuum Breaker

- Anti-siphon vacuum breaker prevents back siphonage
- 3/8" NPT male inlet and female outlet
- Used on outlets of goosenecks
- Use BL-5550-04 on tip on outlet



**BL-5550-12**  
Vandal Resistant Aerator

- 3/8" NPSM male inlet
- Use special wrench to attach (included)
- 3/4" total length
- Fits lab goosenecks and nozzles



**BL-5550-24**  
Swivel to Rigid Adapter

- Converts swivel outlet to 3/8" NPT female for rigid connection
- Accepts T&S rigid goosenecks and nozzles
- 1" (25 mm) height



**BL-5550-30**  
Restricted Swing Adapter

- Fits faucets with 3/8" NPT female outlet
- Restricts the swivel action for 100°
- Requires special nozzle or gooseneck fitted with restrictor pins



Notes

|  |  |
|--|--|
|  |  |
|  |  |
|  |  |
|  |  |
|  |  |
|  |  |
|  |  |
|  |  |
|  |  |
|  |  |

Lab Accessories

**BL-5560-01**  
Rigid Gooseneck with Vacuum Breaker

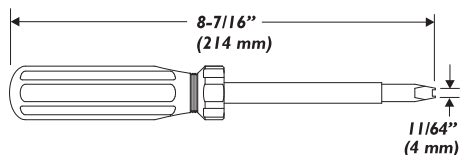
- 3/8" NPT male inlet
- Serrated hose tip
- 8-7/8" (225 mm) total height
- 5-7/16" (138 mm) spread



**BL-5560-02** Same as BL-5560-01 except with swivel connection at vacuum breaker

**BL-5707-05**  
Spanner Screwdriver

- 8-7/16" (214 mm) spanner screwdriver



**BL-5561-02**  
Lab Nozzle

- 9" (229 mm) lab nozzle
- Stream regulator outlet
- Fits swivel faucets



**BL-5561-03** same as BL-5561-02 except 12" (305 mm) long

**BL-5707-10**  
Vandal Resistant Brace

- 6" (152 mm) vandal resistant brace
- For use on lab equipment



Loose Key Stops

**B-0415**  
Straight Loose Key Stop

- 3/8" NPT female inlet and outlet



**B-0416** Same as B-0415 except with 1/2" NPT female inlet and outlet

**B-0418**  
Angle Loose Key Stop

- 1/2" NPT female inlet and outlet



**B-1311**  
Angle Key Stop

- 3/8" NPT female inlet
- Outlet with compression nut and sleeve to fit 1/2" (13 mm) O.D. copper tubing



D  
64

**B-1305**  
Angle Loose Key Stop

- Flexible supply assembly with loose key angle stop
- 1/2" NPT female inlet
- 1/2" O.D. x 12" (305 mm) long flexible copper tube
- 2-1/2" (64 mm) diameter wall flange



**B-1305-01** Same as B-1305 except with 3/8" O.D. flexible copper tube

**B-1306** Same as B-1305 except with 3/8" NPT female inlet

**B-1306-01** Same as B-1306 except with 3/8" O.D. flexible copper tube

**B-1336**  
Angle Key Stop

- 3/8" NPT female inlet
- 3/8" NPT female outlet
- Loose key handle
- Vandal resistant (loose key stop)





Loose Key Stops

**B-1340**  
Angle Stop

- Angle stop with four arm handle (174F)
- 1/2" NPT female inlet
- Eterna spindle assembly (084A)
- Outlet with compression nut and sleeve to fit 1/2" (13 mm) O.D. copper tubing



**B-1341** Same as B-1340 except with 3/8" NPT female inlet

**B-1344**  
Angle Stop

- Angle stop with four arm handle (174F)
- Eterna spindle assembly (084A)
- 1/2" NPT female outlet



**B-1345** Same as B-1344 except with 3/8" NPT female inlet

**B-1350**  
Angle Loose Key Stop

- 1/2" NPT female inlet
- 1/2" NPT male outlet
- 2" (51 mm) diameter flange



**B-1351** Same as B-1350 except with 3/8" NPT female union coupled outlet

**B-1342**  
Angle Key Stop

- 1/2" NPT female inlet
- Eterna spindle assembly (123A)
- Outlet with compression nut and sleeve to fit 1/2" (13 mm) O.D. copper tubing



**B-1343** Same as B-0417 except with 3/8" NPT female inlet

**B-1346**  
Angle Key Stop

- 1/2" NPT female inlet
- Eterna spindle assembly (124A)
- 3/8" NPT female outlet
- Loose key handle



**B-1355**  
Angle Loose Key Stop

- 3/8" NPT female union coupling inlet
- 3/8" NPT Female outlet
- 2" (51 mm) diameter wall flange

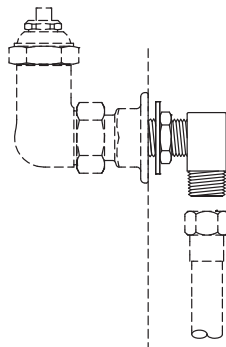


D  
65

Parts Kits For Plumbing

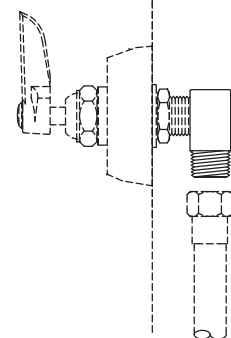
**B-0230-K**  
Parts Kit

- Parts included:  
1/2" NPT Supply nipple, lock nut and washer  
1/2" NPT Male and female short EL



**B-1100-K**  
Parts Kit

- Parts included:  
1/2" NPT Male and female short EL



Parts Kits For Plumbing

**B-6K**  
Eterna Spindle Parts Kit

- Parts included:
- 1 000788-20 Right hand Eterna insert
- 1 000789-20 Left hand Eterna insert
- 1 000811-25 Right hand spindle insert
- 1 000812-25 Left hand spindle insert
- 4 000933-45 Seat washer screws
- 10 001022-45 Gaskets
- 12 002601-45 Gaskets
- 22 001092-45 Seat washers



**B-9K**  
Lever Handle Kit

- Parts included:
- 2 001638-45 Lever handle – blank
- 1 001661-45 Index button, red – hot
- 1 001660-45 Index button, blue – cold
- 2 000922-45 Lever handle screw



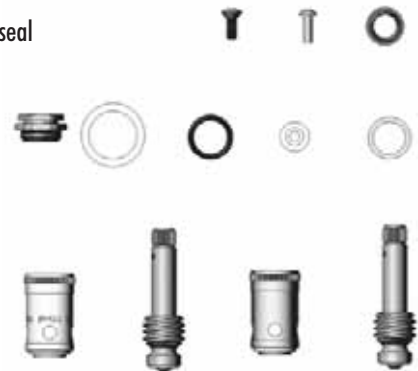
**B-11K**  
Eterna Cartridge Spindle Kit

- Parts included:
- 1 000811-25 Right hand spindle insert
- 1 000812-25 Left hand spindle insert
- 2 000933-45 Seat washer screw
- 2 009841-45 Seat washer



**B-15K**  
EasyInstall Concealed Widespread  
Faucet Parts Kit

- Parts included:
- 12 000922-45 Lever handle screw
- 32 000933-45 Screw
- 50 001098-45 Eterna spindle packing seal
- 6 009002-25 Packing nut/lock nut
- 25 002601-45 Gasket
- 25 001074-45 'O'-Ring
- 32 001136-45 Teflon seat washer
- 25 001022-45 Bottom gasket
- 6 000789-20 Left hand removable insert assembly
- 6 000812-25CWS Left hand spindle assembly
- 12 000788-20 Right hand removable insert assembly
- 12 000811-25CWS Right hand spindle assembly



**B-13K**  
Spring Check Spindle Kit

- Parts included:
- 1 001907-25 Right hand spindle insert
- 1 001908-25 Left hand spindle insert
- 2 003164-45 Seat washer – spring check
- 2 001479-45 Spring check spring



**B-2730-DRK**  
Diverter Kit for B-2730

- Parts included:
- 1 Diverter valve stem
- 1 Diverter valve seal
- 2 Diverter valve 'O'-Rings
- 1 Diverter valve body
- 1 Diverter valve stem seal



Parts Kits For Plumbing

**B-18K**  
Four Arm Handle Kit—Lab

- Parts included:
- 2 000059-40 Four arm handle
- 2 000925-45 Handle screw
- 1 001191-45 Index button, green – cold
- 1 001194-45 Index button, red – hot



**B-19K**  
Four Arm Handle Kit—Service Sinks

- Parts included:
- 2 002521-45 Four arm handle
- 2 000922-45 Handle screw
- 1 001660-45 Index button, blue – cold
- 1 001661-45 Index button, red – hot



**B-50P**  
Foot Pedal Valve Parts Kit

- Parts included:
- 4 009306-20 Valve stem
- 4 003690-45 Spring
- 4 000974-45 Bonnet washer
- 4 001040-45 Bonnet washer
- 4 001100-45 Packing stem
- 4 012915-45 B-0107 Seat washer (new style)
- 1 012665-45 Silicon grease tube



**B-WH4 and B-WH6**  
Wrist Action Handles

- Order:
- B-WH4-H 4" (102 mm) handle, hot index (red) and screw
- B-WH4-C 4" (102 mm) handle, cold index (blue) and screw
- B-WH6-H 6" (152 mm) handle, hot index (red) and screw
- B-WH6-C 6" (152 mm) handle, cold index (blue) and screw
- B-WH4 4" Handle only
- B-WH6 6" Handle only



**B-0466**  
Wall Mount Faucet Adapter For T&S Faucet To Chicago/Zurn Inlets

- Parts included:
- (2) Faucet adapters, includes (1) santoprene seal and (1) nitrile or EPDM seal per assembly
- 1-3/8" (35 mm) swivel hex nut with internal threads to fit T&S body
- Threads fit Chicago and Zurn inlet flanges



**B-0467**  
Wall Mount Faucet Adapter For T&S Faucet To Fisher Inlets

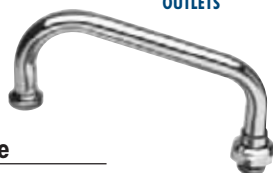
- Parts included:
- (2) Faucet adapters, includes (2) santoprene seals per assembly (one each end)
- 1-3/8" (35 mm) swivel hex nut with internal threads to fit T&S body
- Threads fit Fisher inlet flanges



## Nozzles, Goosenecks and Spouts

### Swing Nozzles

- Nozzle tip has male threads with a stream regulator



SERIES 1  
OUTLETS

| Model No. | Standard Sizes Length | Standard Sizes Clearance |
|-----------|-----------------------|--------------------------|
| 059X      | 6" (152 mm)           | 2-5/16" (59 mm)          |
| 060X      | 8" (203 mm)           | 2-15/16" (74 mm)         |
| 061X      | 10" (254 mm)          | 3-5/8" (92 mm)           |
| 062X      | 12" (305 mm)          | 3-3/4" (95 mm)           |
| 063X      | 14" (356 mm)          | 5" (127 mm)              |
| 064X      | 16" (406 mm)          | 5-13/16" (147 mm)        |
| 065X      | 18" (457 mm)          | 6-3/8" (162 mm)          |

|       |                 |       |                  |
|-------|-----------------|-------|------------------|
| 059XM | Master Box (12) | 064XM | Master Box (12)  |
| 060XM | Master Box (12) | 065XM | Master Box (12)  |
| 061XM | Master Box (12) | 060XP | Plain end outlet |
| 062XM | Master Box (12) | 062XP | Plain end outlet |
| 063XM | Master Box (12) |       |                  |

Note: Use Series 1 outlets on these swing nozzles

### Swivel Gooseneck

- Nozzle tip has male threads with a stream regulator



SERIES 1  
OUTLETS

SERIES 2  
OUTLETS

| Model No. | Standard Sizes Spread | Standard Sizes Height | Standard Sizes Clearance |
|-----------|-----------------------|-----------------------|--------------------------|
| 131X      | 2-13/16" (71 mm)      | 4-3/4" (120 mm)       | 2-9/16" (65 mm)          |
| 132X      | 2-3/4" (70 mm)        | 9-1/16" (230 mm)      | 5-9/16" (142 mm)         |
| 133X      | 5-11/16" (145 mm)     | 10-3/8" (264 mm)      | 6-3/8" (162 mm)          |
| 134X      | 7-3/4" (192 mm)       | 11-7/16" (290 mm)     | 5-1/2" (139 mm)          |
| 135X      | 8-3/4" (223 mm)       | 12-1/16" (306 mm)     | 5-9/16" (141 mm)         |
| 136X      | 12-1/4" (310 mm)      | 14-11/16" (373 mm)    | 5-3/8" (137 mm)          |

#### Swivel Gooseneck/Stream Regulator:

|          |                |
|----------|----------------|
| 131X-ADA | ADA gooseneck  |
| 131XM    | Master Box (6) |
| 132XM    | Master Box (6) |
| 133XM    | Master Box (6) |
| 135XM    | Master Box (6) |

#### Swivel Gooseneck/Plain End:

|       |                                    |
|-------|------------------------------------|
| 132XP | Same as 132X except with plain end |
| 133XP | Same as 133X except with plain end |
| 134XP | Same as 134X except with plain end |

Note: Use Series 2 outlets on these goosenecks except for 131X and 133X, which use Series 1 outlets

### Double-Joint Nozzles

- Nozzle tip has male threads with a stream regulator



SERIES 1  
OUTLETS

| Model No. | Standard Sizes Back | Standard Sizes Front | Standard Sizes Total |
|-----------|---------------------|----------------------|----------------------|
| 066X      | 6" (152 mm)         | 6" (152 mm)          | 12" (305 mm)         |
| 067X      | 9" (229 mm)         | 6" (152 mm)          | 15" (381 mm)         |
| 068X      | 12" (505 mm)        | 6" (152 mm)          | 18" (457 mm)         |
| 069X      | 12" (305 mm)        | 12" (305 mm)         | 24" (610 mm)         |

#### Double-Joint Nozzle Sections

|      |                           |
|------|---------------------------|
| 151X | 6" (152 mm) back section  |
| 152X | 9" (229 mm) back section  |
| 153X | 6" (152 mm) front section |

Note: Use Series 1 outlets on these nozzles

### Rigid Gooseneck

- Nozzle tip has 3/8" NPSM outlet with a stream regulator



SERIES 2  
OUTLETS

| Model No. | Standard Sizes Spread | Standard Sizes Height | Standard Sizes Clearance |
|-----------|-----------------------|-----------------------|--------------------------|
| 119X      | 2-3/4" (70 mm)        | 8-3/4" (222 mm)       | 5-1/4" (133 mm)          |
| 120X      | 5-1/2" (140 mm)       | 10-1/4" (261 mm)      | 5-5/16" (135 mm)         |
| 122X      | 5-1/2" (140 mm)       | 11-1/2" (292 mm)      | 6-7/16" (164 mm)         |
| 123X      | 5-1/2" (140 mm)       | 12-1/2" (318 mm)      | 7-1/2" (190 mm)          |
| 124X      | 5-1/2" (140 mm)       | 13-1/2" (343 mm)      | 8-9/16" (217 mm)         |
| 125X      | 5-1/2" (140 mm)       | 14-1/2" (368 mm)      | 9-9/16" (243 mm)         |
| 126X      | 5-1/2" (140 mm)       | 15-1/2" (394 mm)      | 10-1/2" (267 mm)         |
| 127X      | 7-5/8" (194 mm)       | 10-12" (267 mm)       | 4-1/2" (114 mm)          |
| 128X      | 7-5/8" (194 mm)       | 13-1/2" (343 mm)      | 7-9/16" (192 mm)         |
| 129X      | 8-5/8" (219 mm)       | 11-3/4" (298 mm)      | 5-1/2" (140 mm)          |
| 130X      | 12-3/16" (310 mm)     | 13-3/8" (340 mm)      | 4-9/16" (116 mm)         |
| 165X      | 4-1/16" (103 mm)      | 8-1/4" (210 mm)       | 4-13/16" (122 mm)        |

#### Rigid Gooseneck/Stream Regulator:

|       |                |
|-------|----------------|
| 120XM | Master Box (6) |
|-------|----------------|

#### Rigid Gooseneck/Plain End:

|       |                                    |
|-------|------------------------------------|
| 120XP | Same as 120X except with plain end |
| 122XP | Same as 122X except with plain end |
| 129XP | Same as 129X except with plain end |

Note: Use Series 2 outlets on these goosenecks



## Nozzles, Goosenecks and Spouts

### Soap Dish Nozzle

- Nozzle has 3/8" NPSM female outlet with stream regulator
- A swing nozzle with soap dish can be supplied on T&S faucets instead of the standard nozzle



| Model No. | Length       |
|-----------|--------------|
| 160X      | 6" (152 mm)  |
| 161X      | 8" (203 mm)  |
| 162X      | 12" (305 mm) |
| 163X      | 18" (457 mm) |

Note: Use Series 2 outlets on these nozzles

### Rigid Vacuum Breaker Gooseneck

- Rigid polished chrome plated gooseneck with vacuum breaker
- 3/8" NPT male inlet
- Nozzle has 3/8" NPSM female outlet with stream regulator



| Model No. | Spread           | Height          | Clearance       |
|-----------|------------------|-----------------|-----------------|
| B-0405-02 | 5-5/8" (142 mm)  | 8-7/8" (226 mm) | 4-1/2" (114 mm) |
| B-0405-03 | 8-9/16" (218 mm) | 8-7/8" (226 mm) | 4-1/2" (114 mm) |
| B-0405-04 | 11-5/8" (295 mm) | 8-7/8" (226 mm) | 4-1/2" (114 mm) |

Note: Use Series 2 outlets on these goosenecks

### Vacuum Breaker Swing Nozzle with Stream Regulator

- Nozzle has 3/8" NPSM female outlet with stream regulator
- Vacuum breaker swing nozzles can be supplied on T&S faucets instead of nozzles ordinarily furnished to meet local code requirements



| Model No. | Spread           | Height           |
|-----------|------------------|------------------|
| B-0408-02 | 5-5/8" (143 mm)  | 3-11/16" (94 mm) |
| B-0408-03 | 8-5/8" (219 mm)  | 3-11/16" (94 mm) |
| B-0408-04 | 11-5/8" (295 mm) | 3-11/16" (94 mm) |

Note: Use Series 2 outlets on these nozzles

### OCS6 Swivel Cast Spout

SERIES 2 OUTLETS

- Polished chromium plated cast nozzle with aerator outlet



| Model No. | Length      | Height           | Clearance        |
|-----------|-------------|------------------|------------------|
| OCS6      | 6" (152 mm) | 2-3/8" (60 mm)   | 15/16" (24 mm)   |
| OCS8      | 8" (203 mm) | 5-3/16" (132 mm) | 3-13/16" (96 mm) |

- OCS6-LT 6" (152 mm) with B-LT stream regulator
- OCS8-LT 8" (229 mm) with B-LT stream regulator

Note: Use Series 2 outlets on these spouts

### Swivel Vacuum Breaker Gooseneck

- 3/8" NPT male inlet
- Nozzle has 3/8" NPSM female outlet with stream regulator
- B-0406-02, -03, -04 Rigid polished chrome plated gooseneck with swivel vacuum breaker – swivels at vacuum breaker
- B-0407-02, -03, -04 Swivel polished chrome plated gooseneck with vacuum breaker – swivels at base



| Model No. | Spread           | Height            | Clearance         |
|-----------|------------------|-------------------|-------------------|
| B-0406-02 | 5-5/8" (143 mm)  | 9" (229 mm)       | 4-11/16" (119 mm) |
| B-0406-03 | 8-5/8" (219 mm)  | 9" (229 mm)       | 4-11/16" (119 mm) |
| B-0406-04 | 11-5/8" (295 mm) | 9" (229 mm)       | 4-11/16" (119 mm) |
| B-0407-02 | 5-5/8" (143 mm)  | 8-11/16" (221 mm) | 4-3/8" (111 mm)   |
| B-0407-03 | 8-5/8" (219 mm)  | 8-11/16" (221 mm) | 4-3/8" (111 mm)   |
| B-0407-04 | 11-5/8" (295 mm) | 8-11/16" (221 mm) | 4-3/8" (111 mm)   |

Note: Use Series 2 outlets on these goosenecks

### Vacuum Breaker Swing Nozzle with Garden Hose Thread

- Nozzle has 3/4" garden hose thread outlet
- Vacuum breaker swing nozzles can be supplied on T&S faucets instead of nozzles ordinarily furnished to meet local code requirements



| Model No. | Spread           | Height           |
|-----------|------------------|------------------|
| B-0409-02 | 5-5/8" (143 mm)  | 3-11/16" (94 mm) |
| B-0409-03 | 8-5/8" (219 mm)  | 3-11/16" (94 mm) |
| B-0409-04 | 11-5/8" (295 mm) | 3-11/16" (94 mm) |

Note: Use Series 2 outlets on these nozzles

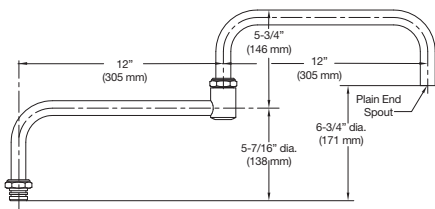
## Big-Flo Nozzles

NEW MODELS!

### Big-Flo Double Joint Nozzle

- Double-joint nozzle for Big-Flo faucets with 3/4" inlets

**116X** 24" (610 mm) double joint swing nozzle  
**117X** 12" (305 mm) front section of double joint swing nozzle



### Big-Flo Swing Nozzles

- For use with Big-Flo faucets with 3/4" inlets



| Model No.   | Standard Length | Standard Clearance | Standard Height  |
|-------------|-----------------|--------------------|------------------|
| <b>114X</b> | 12" (305 mm)    | 5-3/16" (132 mm)   | 8-5/8" (219 mm)  |
| <b>115X</b> | 18" (457 mm)    | 7-3/16" (183 mm)   | 10-5/8" (270 mm) |

Note: No special outlets are available for these spouts

## Special Custom Goosenecks and Nozzles

### 002848-40 Range Faucet Nozzle

- 18" (457 mm) length, 12" (305 mm) front, 6" (152 mm) back



### B-2387 Swivel Gooseneck

- For use with swivel type base faucets
- Chrome plated
- 8-1/2" (216 mm) spread swivel gooseneck
- 10-1/8" (257 mm) total height
- Non-splash aerator (B-0199-01)
- Other dimensions available upon request



## Conversion Adapters

### B-0412 Adapter

- Rigid to swivel adapter
- Use for field conversion where a faucet with 3/8" NPT outlet is installed and a swivel gooseneck or nozzle is required
- Use two (2) 7X washers (000986-45) to make gooseneck or nozzle rigid



**B-0412-M** Master Box (2)

### B-0413 Adapter

- Swivel to rigid adapter
- Used for field conversion where a faucet with swivel outlet is installed and a rigid pipe gooseneck is required



**B-0413-M** Master Box (2)  
**B-0413-M50** Master Box (50)

### B-0414 Adapter

- Gooseneck coupling
- Adapts a 3/8" IPS pipe gooseneck to faucets with 3/8" IPS outlet providing either a swivel or union connection



**B-0414-M** Master Box (2)

### EZ-SWIVEL-CZ Swivel Adapter

- Swivel adapter for Chicago and Zurn faucets

### EZ-SWIVEL-FM Swivel Adapter

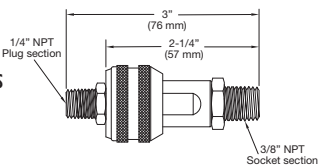
- Swivel adapter for Fisher faucets

D 70

## Quick-Connect Coupling Set

### B-0452 Quick-Connect Coupling Set

- Chrome plated brass
- For use with water, air and non-corrosive gases
- When 1/4 NPT plug is removed from quick-connect socket, flow is automatically shut off



### B-0412-FXX Low Flow Adapter

New Water-Saving Adapter

- Rigid to swivel adapter with flow control tower
- Refer to "Flow Tower Chart" to specify flow desired and add numbers to model suffix
- 1"-20 UN male thread x 3/8"-18 NPT male thread
- For use on lavatory faucets to conserve water



| Model No.  | Flow (GPM) |
|------------|------------|
| B-0412-F03 | 0.25       |
| B-0412-F05 | 0.40       |
| B-0412-F07 | 0.70       |
| B-0412-F10 | 0.90       |
| B-0412-F12 | 1.20       |
| B-0412-F15 | 1.40       |
| B-0412-F16 | 1.60       |
| B-0412-F20 | 2.00       |

## Handles

### 001144-45 Alpine Handle

- Clear lexan handle
- Fits most T&S faucets
- Order chrome plated index buttons separately

**001327-40** Cold Index  
**001328-40** Hot Index  
**001326-40** Blank Index



### 001784-40 Dome Handle

- Polished chrome zinc metal handle
- Conceals stem and bonnet
- Screw and index blue (cold) sold separately



**001783-40** Dome handle, with red (hot) index sold separately

### B-WH4 Wrist Action Handle

- Chrome plated forged brass handle, 4" (102 mm) long
- Fits all T&S faucets
- Cold index: 001686-45
- Hot index: 001194-45
- Screw only: 000925-45
- Available with antimicrobial coating



**B-WH4H** Includes 4" handle, hot index button and screw  
**B-WH4C** Includes 4" handle, cold index button and screw  
**B-WH6** Same as B-WH4 except 6" (152 mm) long  
**B-WH6H** Includes 6" handle, hot index button and screw  
**B-WH6C** Includes 6" handle, cold index button and screw

### Push Button Handle

- Chrome plated handle for metering faucets
- Available with antimicrobial coating



**014194-40** Hot, with vandal resistant screw and spanner bit  
**014195-40** Cold, with vandal resistant screw and spanner bit  
**014193-40** Blank, with vandal resistant screw and spanner bit

## Soap Dishes

### B-SD Soap Dish

- Chrome plated
- Must be used with soap dish nozzle or B-SDA soap dish assembly



### 001636-45 Lever Handle

- Chrome plated zinc handle
- Blue index button and screw (cold)
- Available with antimicrobial coating



**001637-45** Lever handle with red index (hot) and screw  
**001638-45** Lever handle with no index  
**010027-40** Chrome plated solid brass handle

### 002521-45 Four Arm Handle

- Chrome plated zinc handle
- Order handle screw separately (000922-45)
- Available with antimicrobial coating
- Order index for hot or cold separately:



**001660-45** Cold handle index (blue)  
**001661-45** Hot handle index (red)

### Club Handle

- Chrome plated decorative handle

**009332-41** Hot side  
**009331-41** Cold side



### Pivot Action Metering Handle

- Chrome plated handle for pivot action metering faucets
- Available with antimicrobial coating



**PA-H** Hot, with retaining nut and spanner bit  
**PA-C** Cold, with retaining nut and spanner bit  
**PA-B** Blank, with retaining nut and spanner bit

### B-SDA Soap Dish Assembly

- Chrome plated
- Clamps onto 3/8" NPT goosenecks or risers



## Aerators



**NEW**  
Water-Saving  
Models!

**NEW!**





Check out our new water-saving aerators and outlets!

| Series 1   | Series 2   | Series 3   | Series 4   | Series 5  |
|--|--|--|--|---|
| <ul style="list-style-type: none"> <li>• 55/64"-27 UN female aerator threads</li> <li>• Fits all swing nozzles and 131X, 133X gooseneck</li> <li>• -WS models are water-saving aerators</li> </ul> | <ul style="list-style-type: none"> <li>• 3/8" NPSM male thread</li> <li>• Fits goosenecks</li> <li>• -WS models are water-saving aerators</li> </ul> | <ul style="list-style-type: none"> <li>• 13/16"-27 UN male aerator thread</li> <li>• Fits lavatory spouts</li> <li>• -WS models are water-saving aerators</li> </ul> | <ul style="list-style-type: none"> <li>• 15/16"-27 UN male thread</li> <li>• Fits single lever line</li> <li>• -WS models are water-saving aerators</li> </ul> | <ul style="list-style-type: none"> <li>• 13/16"-24 UN female thread</li> <li>• Fits other manufacturer's faucets</li> <li>• Includes adapter and washer with aerator</li> </ul> |

### Standard Aerators

|  |                               |                               |                               |                               |  |
|--|-------------------------------|-------------------------------|-------------------------------|-------------------------------|--|
| <p><b>Aerator</b></p> <ul style="list-style-type: none"> <li>• Non-splash aerator</li> </ul>    | <b>B-0199-01</b><br>(2.2 GPM) | <b>B-0199-02</b><br>(2.2 GPM) | <b>B-0199-03</b><br>(2.2 GPM) | <b>B-0199-04</b><br>(2.2 GPM) |  |
| <p><b>Vandal Resistant Aerator</b></p> <ul style="list-style-type: none"> <li>• Vandal resistant, non-splash aerator</li> <li>• Use tool to attach and remove aerator</li> </ul>  | <b>B-0199-06</b><br>(2.2 GPM) | <b>B-0199-07</b><br>(2.2 GPM) | <b>B-0199-08</b><br>(2.2 GPM) | <b>B-0199-09</b><br>(2.2 GPM) |  |

### Water-Conserving Aerators

|  |                                  |                                  |                                  |   |                                  |
|--|----------------------------------|----------------------------------|----------------------------------|---|----------------------------------|
| <p><b>Aerator with Flow Control</b></p> <ul style="list-style-type: none"> <li>• Non-splash aerator with flow control</li> </ul>   | <b>B-0199-01F-XX</b>             | <b>B-0199-02F-XX</b>             | <b>B-0199-03F-XX</b>             | Refer to Aerator Flow Chart to add Suffix Numbers |                                  |
| <p><b>Vandal Resistant Aerator with Flow Control</b></p> <ul style="list-style-type: none"> <li>• Non-splash, vandal resistant aerator with flow control</li> <li>• Tool to attach and remove aerator</li> </ul>  | <b>B-0199-06F-XX</b>             | <b>B-0199-07F-XX</b>             | <b>B-0199-08F-XX</b>             | Refer to Aerator Flow Chart to add Suffix Numbers |                                  |
| <p><b>NEW! Non-Splash Aerator 1.5 GPM</b></p> <ul style="list-style-type: none"> <li>• Non-splash aerator with flow control</li> </ul>    | <b>B-0199-01-WS</b><br>(1.5 GPM) | <b>B-0199-02-WS</b><br>(1.5 GPM) | <b>B-0199-03-WS</b><br>(1.5 GPM) | <b>B-0199-04-WS</b><br>(1.5 GPM)                  | <b>B-0199-05-WS</b><br>(1.5 GPM) |
| <p><b>NEW! Vandal Resistant Aerator 1.5 GPM</b></p> <ul style="list-style-type: none"> <li>• Non-splash, vandal resistant aerator with flow control</li> <li>• Tool to attach and remove aerator</li> </ul>       | <b>B-0199-06-WS</b><br>(1.5 GPM) | <b>B-0199-07-WS</b><br>(1.5 GPM) | <b>B-0199-08-WS</b><br>(1.5 GPM) | <b>B-0199-09-WS</b><br>(1.5 GPM)                  | <b>B-0199-10-WS</b><br>(1.5 GPM) |

D  
72

**NEW**  
Water-Saving  
Models!

### Aerator Flow Chart

| Flow (GPM) | Suffix | Color Code | Flow (GPM) | Suffix | Color Code |
|------------|--------|------------|------------|--------|------------|
| 0.25       | F03    | No color   | 1.20       | F12    | Orange     |
| 0.40       | F05    | Brown      | 1.40       | F15    | Purple     |
| 0.70       | F07    | Green      | 2.00       | F20    | Yellow     |
| 0.90       | F10    | Grey       |            |        |            |

GPM ± 10%

**To order:**

Select flow desired, then add suffix to model number.

For ex.: B-0199-02**F15** for 1.40 GPM

**Note:**

Painted mark on each flow control within the assembly indicates flow of unit.

## Laminar Flow Outlets



### NEW!



Check out our new non-splash, non-aerated laminar flow devices!

|   | Series 1  | Series 3   | Series 4   |
|---|---|--|--|
| <p><b>Laminar Flow Regulator</b></p> <ul style="list-style-type: none"> <li>Non-splash, non-aerated stream</li> <li>Screenless; for use in medical facilities to prevent airborne bacteria from entering water stream</li> </ul>                 | <ul style="list-style-type: none"> <li>55/64"-27 UN female aerator threads</li> <li>Fits all swing nozzles, 131X, 133X gooseneck</li> </ul> <p><b>B-0199-21</b><br/>(2.2 GPM)</p> <p><b>B-0199-29</b><br/>(1.5 GPM)</p> | <ul style="list-style-type: none"> <li>13/16"-27 UN male aerator thread</li> <li>Fits lavatory spouts</li> </ul> <p><b>B-0199-26</b><br/>(2.2 GPM)</p> | <ul style="list-style-type: none"> <li>15/16"-27 UN male thread</li> <li>Fits single lever line</li> </ul> <p><b>B-0199-25</b><br/>(2.2 GPM)</p> |
| <p><b>NEW! Vandal Resistant Laminar Flow</b></p> <ul style="list-style-type: none"> <li>Same as B-0199-21 except is vandal resistant with key</li> <li>-VR - female thread</li> <li>-VRF - female thread</li> <li>-VRM - male thread</li> </ul>  | <p><b>B-0199-29-VR</b><br/>(1.5 GPM)</p> <p><b>B-0199-21-VRF</b><br/>(2.2 GPM)</p> <p><b>B-0199-21-VRM</b><br/>(2.2 GPM)</p>  | <p><b>B-0199-28</b><br/>(2.2 GPM)</p>  | <p><b>B-0199-27</b><br/>(2.2 GPM)</p>  |

## NEW! Non-Aerated Spray Devices



NEW! Water-saving 0.35 GPM and 0.5 GPM flow rate

|   | Series 1   | Series 2   | Series 3   | Series 4   | Series 5  |
|---|--|--|--|--|---|
| <p><b>NEW!</b></p> <p>Check out our new water-saving non-aerated spray devices with 0.35 and 0.5 GPM!</p>   | <ul style="list-style-type: none"> <li>55/64"-27 UN female thread</li> <li>Fits all swing nozzles, 131X, 133X gooseneck</li> </ul> | <ul style="list-style-type: none"> <li>3/8" NPSM male thread</li> <li>Fits goosenecks</li> </ul> | <ul style="list-style-type: none"> <li>13/16"-27 UN male thread</li> <li>Fits lavatory spouts</li> </ul> | <ul style="list-style-type: none"> <li>15/16"-27 UN male thread</li> <li>Fits single lever line</li> </ul> | <ul style="list-style-type: none"> <li>13/16"-24 UN female thread</li> <li>Fits other manufacturer's faucets</li> </ul> |
| <p><b>Non-Aerated Spray Device</b></p> <ul style="list-style-type: none"> <li>Non-splash non-aerated spray device</li> </ul>   | <p><b>B-0199-01-N035</b><br/>(0.35 GPM)</p> <p><b>B-0199-01-N05</b><br/>(0.5 GPM)</p>  | <p><b>B-0199-02-N035</b><br/>(0.35 GPM)</p> <p><b>B-0199-02-N05</b><br/>(0.5 GPM)</p>            | <p><b>B-0199-03-N035</b><br/>(0.35 GPM)</p> <p><b>B-0199-03-N05</b><br/>(0.5 GPM)</p>                    | <p><b>B-0199-04-N035</b><br/>(0.35 GPM)</p> <p><b>B-0199-04-N05</b><br/>(0.5 GPM)</p>                      | <p><b>B-0199-05-N035</b><br/>(0.35 GPM)</p> <p><b>B-0199-05-N05</b><br/>(0.5 GPM)</p>                                   |
| <p><b>Vandal Resistant Non-Aerated Spray Device</b></p> <ul style="list-style-type: none"> <li>Non-splash, vandal resistant non-aerated spray device</li> <li>Tool to attach and remove outlet</li> </ul>  | <p><b>B-0199-06-N035</b><br/>(0.35 GPM)</p> <p><b>B-0199-06-N05</b><br/>(0.5 GPM)</p>  | <p><b>B-0199-07-N035</b><br/>(0.35 GPM)</p> <p><b>B-0199-07-N05</b><br/>(0.5 GPM)</p>            | <p><b>B-0199-08-N035</b><br/>(0.35 GPM)</p> <p><b>B-0199-08-N05</b><br/>(0.5 GPM)</p>                    | <p><b>B-0199-09-N035</b><br/>(0.35 GPM)</p> <p><b>B-0199-09-N05</b><br/>(0.5 GPM)</p>                      | <p><b>B-0199-10-N035</b><br/>(0.35 GPM)</p> <p><b>B-0199-10-N05</b><br/>(0.5 GPM)</p>                                   |

## Outlets

### Series 1 Outlets

NEW  
Water-Saving  
Models!

- 55/64"-27 UN female aerator threads
- Fits all swing nozzles and 131X, 133X goosenecks

#### B-0103-01 Rosespray

- Female aerator thread
- Solid brass construction



#### B-GFE Garden Hose Outlet

- Female aerator thread
- Fits on end of nozzle or gooseneck to convert aerator male thread to male garden hose thread



#### B-PT Stream Regulator

- Female aerator thread
- Plain outlet with screen and washer



#### B-0199-22 Swivel Aerator

- 55/64"-27 UN female inlet
- Includes 15/16"-27 UN male adapter
- Swivel outlet
- 2.2 GPM
- Dual spray pattern: aerator or rosespray



#### B-0199-VR-KEY Pro Key

NEW  
Vandal-Resistant  
Key!

- Pro key for vandal-resistant aerators



### Series 2 Outlets

NEW  
Water-Saving  
Models!

- 3/8" NPSM male thread
- Fits goosenecks

#### B-0103 Rosespray

- Solid brass construction
  - 4 GPM
  - 3/8" NPSM male thread
- NEW water-saving models available:**  
**B-0103-Fxx models** with flow control assembly and 3/8"-18 NPT male thread – refer to Flow Tower Chart at right to specify flow desired and add numbers to model suffix



#### Flow Tower Chart

| Model No.  | Flow (GPM) |
|------------|------------|
| B-0103-F03 | 0.25       |
| B-0103-F05 | 0.40       |
| B-0103-F07 | 0.70       |
| B-0103-F10 | 0.90       |
| B-0103-F12 | 1.20       |
| B-0103-F15 | 1.40       |
| B-0103-F20 | 2.00       |

#### B-0198-FXX Series Serrated Hose End

- 3/8" NPT male inlet thread
- Serrated hose end accepts rubber or plastic tubing up to 1/2" I.D.
- Refer to Flow Tower Chart below to specify flow desired and add numbers to model suffix



#### Flow Tower Chart

| Model No.  | Flow (GPM) |
|------------|------------|
| B-0198-F03 | 0.25       |
| B-0198-F05 | 0.40       |
| B-0198-F07 | 0.70       |
| B-0198-F10 | 0.90       |
| B-0198-F12 | 1.20       |
| B-0198-F15 | 1.40       |
| B-0198-F20 | 2.00       |

#### For Serrated Hose End

**To order:**  
 Select flow desired, then add suffix to model number.

Ex.: B-0198-**F03** for 0.25 GPM

#### B-GH Garden Hose Outlet

- 3/8" NPSM male x garden hose male adapter



#### B-LT Stream Regulator

- 3/8" male thread
- Plain outlet



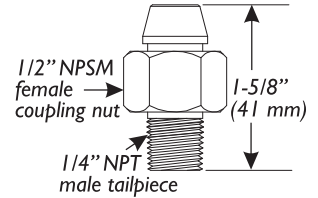
## Adapters, Inlets, Supply Connectors and Parts Kits

### Adapter Chart

| Dimensions |        |                   |                        | Model                   |
|------------|--------|-------------------|------------------------|-------------------------|
| 3/8 NPSM   | male   | x 3/4-11 1/2 G.H. | male                   | <b>B-GH</b>             |
| 1/2 NPT    | male   | x 3/8 NPT         | female (Face bushing)  | <b>002337-45</b>        |
| 1/2 NPT    | male   | x 3/8 NPT         | female (Hex bushing)   | <b>001359-40</b>        |
| 3/4-14     | male   | x 1/4 NPT         | male (Fisher adapter)  | <b>002584-25 (172A)</b> |
| 3/4-14     | male   | x 1/4 NPT         | female                 | <b>000544-25 (52A)</b>  |
| 3/4-14     | male   | x 3/8 NPT         | male (Chicago adapter) | <b>000545-25 (53A)</b>  |
| 3/4-14     | male   | x 3/8 NPE         | female (Hex stock)     | <b>000546-25 (54A)</b>  |
| 3/4 G.H.   | female | x 1/2 NPT         | male                   | <b>003105-40</b>        |
| 3/4-14     | male   | x 5/8-27          | female                 | <b>000552-25</b>        |
| 3/4-14     | male   | x 3/4 NPT         | male                   | <b>000549-25 (57A)</b>  |
| 3/4-14     | male   | x 3/4 NPT         | female                 | <b>000550-25 (58A)</b>  |
| 3/4-14     | male   | x 3/4-14          | male                   | <b>001806-25 (98A)</b>  |
| 55/64-27   | male   | x 1/8 NPT         | female                 | <b>001624-25</b>        |
| 55/64-27   | male   | x 5/8-27          | female                 | <b>000554-25</b>        |
| 55/64-27   | female | x 3/4-11 1/2 G.H. | male                   | <b>B-GFE</b>            |

### 150A Union Coupling Tailpiece

- 1/4" NPT tailpiece with nut fits 1/2" NPT and NPS faucet shanks with 30" tapered inlet



### 006895-20 Short Elbow

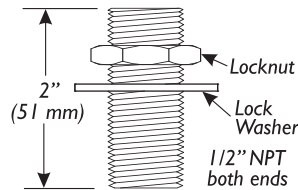
- 1/2" female connectors
- Used with 1/2" male threaded supplies to provide 90° turns at inlets



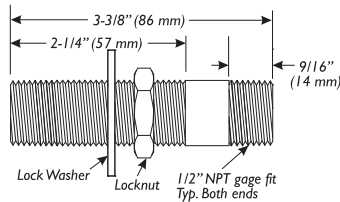
## Inlets and Supply Connections

### B-0425 Supply Nipple

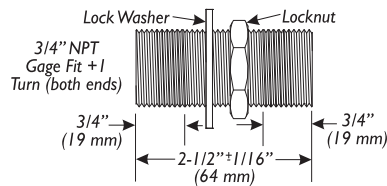
**B-0425-M Master Box (2)**



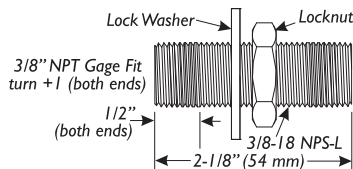
### B-0426 Supply Nipple



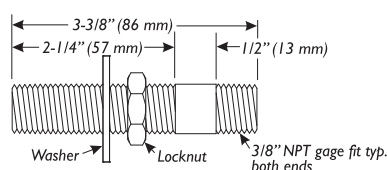
### B-0427 Supply Nipple



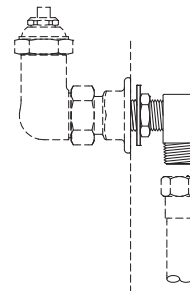
### B-0428 Supply Nipple



### B-0429 Supply Nipple

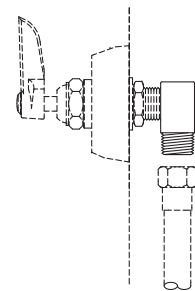


### B-0230-K Parts Kit



- Parts included:  
1/2" NPT Supply nipple, lock nut and washer  
1/2" NPT Male x Female short EL

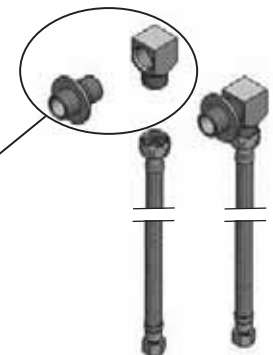
### B-1100-K Parts Kit



- Parts included:  
1/2" NPT Male x Female short EL

### B-0230-KIT Parts Kit

- Parts included:  
2 1/2" inlet shanks and close elbows –inlet assembly kit (2 sets per kit)  
1 24" flexible supply hose (two sets per kit)

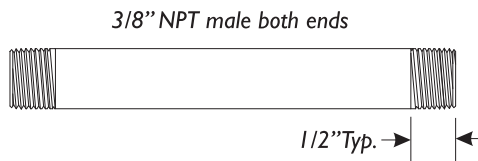


| Supply Nipple      | Length         |
|--------------------|----------------|
| 3/8" <b>B-0428</b> | 2-1/8" (54 mm) |
| <b>B-0429</b>      | 3-3/8" (86 mm) |
| 1/2" <b>B-0425</b> | 2" (51 mm)     |
| <b>B-0426</b>      | 3-3/8" (86 mm) |
| 3/4" <b>B-0427</b> | 2-1/2" (64 mm) |

These red brass supply nipples have tapered pipe threads on each end and a running thread between. They are used on faucets with female inlets to make up tightly to vertical or horizontal surfaces. Washer and nut included. Available in chrome if specified.

## Risers and Connectors

### 3/8" Riser Lengths

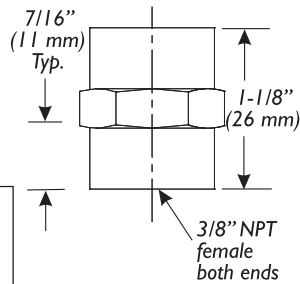


| Model No. | Length      | Model No. | Length       |
|-----------|-------------|-----------|--------------|
| 000357-40 | 2" (51 mm)  | 000369-40 | 18" (457 mm) |
| 000358-40 | 3" (76 mm)  | 000372-40 | 24" (610 mm) |
| 000361-40 | 5" (127 mm) | 000376-40 | 32" (813 mm) |
| 000363-40 | 7" (178 mm) |           |              |

Contact factory for sizes not shown.

### Couplings

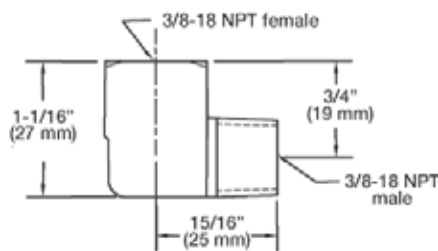
- Used to connect two (2) pipes
- Same thread size on both ends



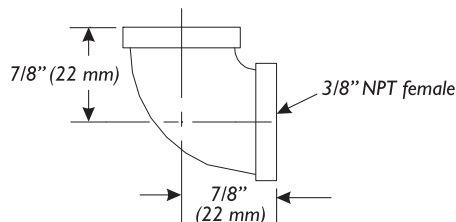
| Dimension         | Model No. |
|-------------------|-----------|
| 3/8" NPT female   | 001769-40 |
| 3/4-14 NPT female | 001596-25 |

### Elbows and Tees

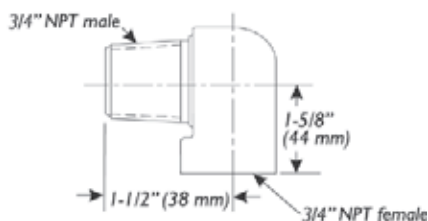
#### 148X



#### 001355-40

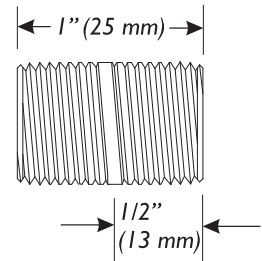


#### 00LL



### Close Nipples

- Used to connect two (2) pipes
- Male x male
- Same thread size on both ends
- Close nipple will be completely concealed



| Dimension     | Model No. |
|---------------|-----------|
| 3/8" NPT male | 002535-25 |
| 1/2" NPT male | 002534-25 |

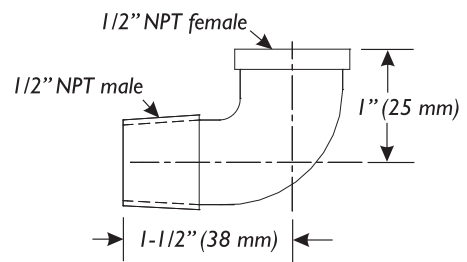
### B-CVV1-2 Check Valve

- Rough brass finish
- Chrome plated available upon request
- Designed for water use only



**B-CVH1-2** for horizontal or vertical use, 1/2" NPT female  
**B-CVH3-4** for horizontal or vertical use, 3/4" NPT female  
Furnished in rough brass

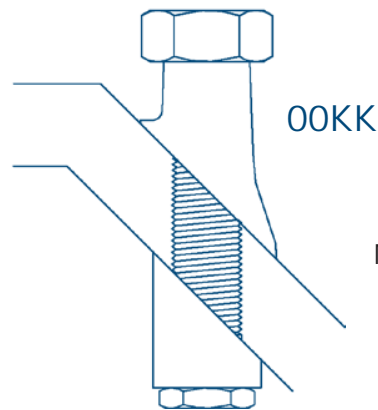
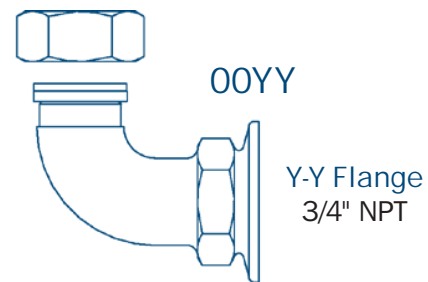
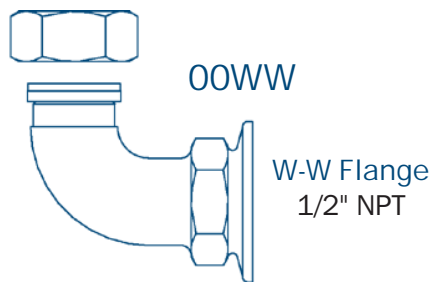
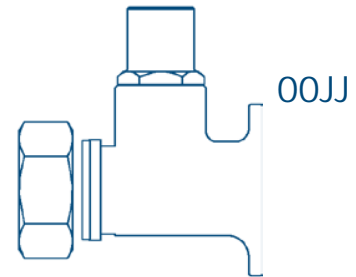
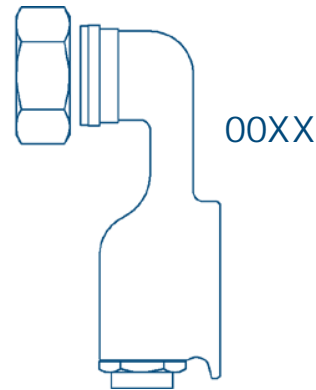
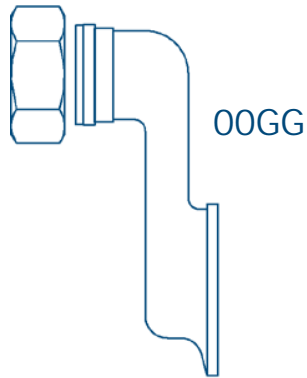
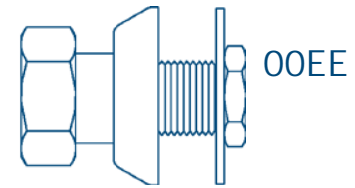
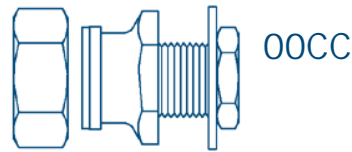
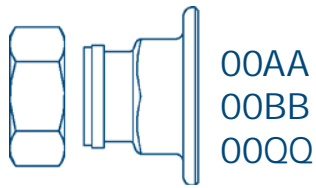
#### 150X



### Elbows

| Description       | Model No. |
|-------------------|-----------|
| 3/8" Street elbow | 148X      |
| 3/8" Elbow        | 001355-40 |
| 1/2" Short elbow  | 006895-20 |
| 1/2" Street elbow | 150X      |
| 1/2" Elbow        | 001357-40 |
| 3/4" Short elbow  | 00LL      |
| 3/4" Elbow        | 001720-40 |

## Inlet Product Options



For use with deck at 45° angle  
Max. countertop thickness 1"

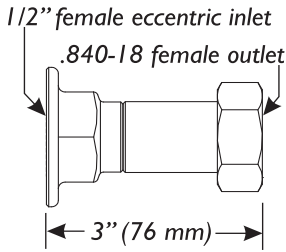
### Union Coupling Inlets

The following inlets are polished chrome plated and used on mixing faucets to meet varying conditions of installation. All are interchangeable and are used in lieu of the "00AA" inlets which are ordinarily furnished on faucets using union coupling inlets. All are available in rough chrome if specified. To order, add suffix letters to faucet model number. For example: "B-0230-CC" – Sink mixing faucet with 1/2" NPT male inlet, 1" (25 mm) long.

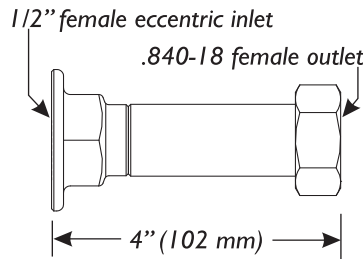
- 00AA** 1/2" NPT female eccentric flanged inlet
- 00BB** 3/4" NPT female eccentric flanged inlet
- 00CC** 1/2" NPT male inlet, 1" (25 mm) long
- 00EE** 1/2" NPT male inlet with adjustable flange, 1" (25 mm) long
- 00GG** 1/2" NPT female flanged adjustable inlet
- 00XX** 1/2" NPT female flanged adjustable inlet with screwdriver stop
- 00JJ** 1/2" NPT female inlet with loose key stop
- 00WW** 1/2" NPT female flange 90° inlet
- 00YY** 3/4" NPT female flange 90° inlet
- 00KK** 1/2" NPT male inlet for use on 45° decks. Inlet is at 45° angle to mounting face.
- 00QQ** 3/8" NPT female eccentric flanged inlet

Inlet Extensions

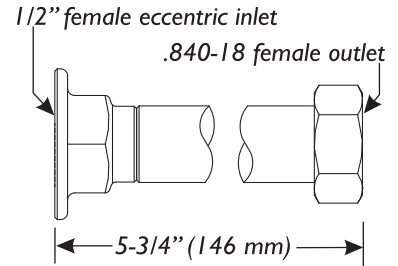
B-0440



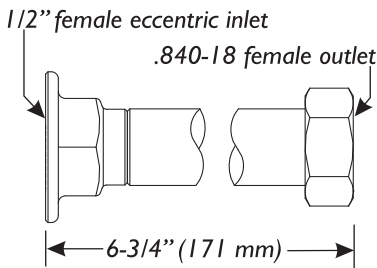
B-0441



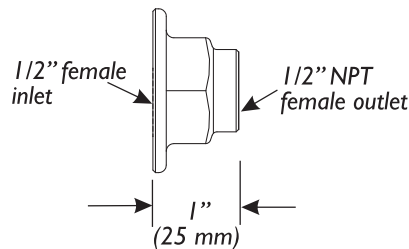
B-0442



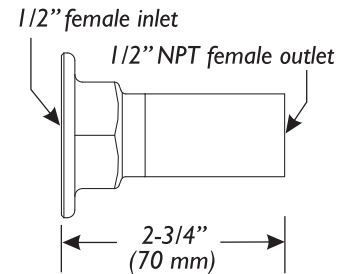
B-0443



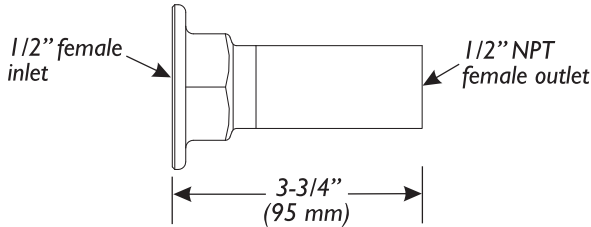
B-0445



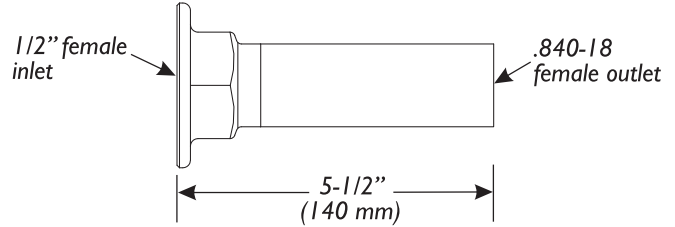
B-0446



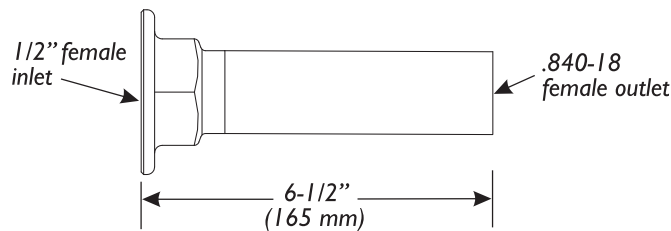
B-0447



B-0448



B-0449



Note: .840-18 female outlet accepts insert (000684-20) which connects inlet extension to faucet body

**Inlet Extensions**

The following inlet extensions are polished chrome plated and used on the inlets of either wall or deck mounted union coupling style mixing faucets to extend inlets. 00AA 1-1/4" (32 mm) inlet standard on typical wall mounted faucets (B-0230, for example).  
**B-0440** Adds 1-3/4" (44 mm) to standard 00AA  
**B-0441** Adds 2-3/4" (70 mm) to standard 00AA  
**B-0442** Adds 4-1/2" (114 mm) to standard 00AA  
**B-0443** Adds 5-1/2" (140 mm) to standard 00AA

The following inlet extensions are used to extend faucets with male 1/2" NPT inlets.  
 Ex.: B-0704 faucet with B-0447 inlet extension.

- B-0445** 1" (25 mm)
- B-0446** 2-3/4" (70 mm)
- B-0447** 3-3/4" (95 mm)
- B-0448** 5-1/2" (140 mm)
- B-0449** 6-1/2" (165 mm)



# T&S Brass Your Water Conservation Leader



## The T&S Commitment To Water-Saving Plumbing Faucets



# The T&S Commitment To Water Conservation



T&S Brass is relentlessly searching for ways to help you conserve water and save money. With this goal in mind, we have designed three areas to control water flow in our Concealed Widespread Faucets and four flow control

locations in our Lavatory Faucets. The modified flow control faucets shown below illustrate how you can specify one option listed and the requirements for that option.

## CONCEALED WIDESPREAD FAUCETS

### 1 AERATOR Flow Control

- Order faucet "modified with flow control aerator or laminar control device" (see p. D82-83)

### 2

### SPINDLE ASSEMBLY Flow Control

- Available with Eterna cartridges
- Order faucet "modified with flow control in spindle assembly"

### 3

### CENTER BODY Flow Control

- Available with New Style EASYINSTALL Concealed Widespread Body faucets
- Order faucet "modified with flow control in center body"

#### Flow Tower Chart

| Flow (GPM) |
|------------|
| 0.25       |
| 0.40       |
| 0.70       |
| 0.90       |
| 1.20       |
| 1.40       |
| 2.00       |

### 1 AERATOR Flow Control

- Order faucet "modified with flow control aerator or laminar control device" (see p. D82-83)

### 3 SPINDLE ASSEMBLY Flow Control

- Available with Eterna cartridges
- Order faucet "modified with flow control in spindle assembly"

## LAVATORY FAUCETS

### 2

### SHANK Flow Control

- Available on models including inlet shanks
- Order faucet "modified with flow control in shank"

### 4

### B-0412-FXX ADAPTER Flow Control

- B-0412-FXX Series rigid to swivel adapter with flow control
- Order faucet "modified with B-0412-FXX adapter with flow control" and specify flow control rate (see p. D70)



# T&S Plumbing Faucets Water Conservation Models



Our Water Conservation Plumbing faucets use specially designed outlets that control the flow of water to save you significant money and energy costs. Their low-flow capabilities never compromise



performance, and they demonstrate our long-term commitment to water conservation. Check our website regularly to see our latest list of water-conserving plumbing models.

|  |                       |
|--|-----------------------|
|  | B-0710-WS (p. D40)    |
|  | B-0712-F05 (p. D24)   |
|  | B-0712-VF05 (p. D24)  |
|  | B-0712-WS (p. D24)    |
|  | B-0805-F05 (p. D23)   |
|  | B-0805-VF05 (p. D23)  |
|  | B-0805-WS (p. D23)    |
|  | B-0807-WS (p. D23)    |
|  | B-0831-F05 (p. D24)   |
|  | B-0831-VF05 (p. D24)  |
|  | B-0831-WS (p. D24)    |
|  | B-0867-04-WS (p. D13) |
|  | B-0871-CR-WS (p. D21) |
|  | B-0871-F05 (p. D21)   |
|  | B-0871-VF05 (p. D21)  |
|  | B-0871-WS (p. D21)    |
|  | B-0890-CR-WS (p. D18) |
|  | B-0890-F05 (p. D18)   |
|  | B-0890-VF05 (p. D18)  |
|  | B-0890-WS (p. D18)    |
|  | B-0892-01-WS (p. D16) |
|  | B-0892-CR-WS (p. D16) |
|  | B-0892-F05 (p. D16)   |
|  | B-0892-VF05 (p. D16)  |
|  | B-0892-WS (p. D16)    |

|  |                        |
|--|------------------------|
|  | B-2710-VF05 (p. D4)    |
|  | B-2710-WS (p. D4)      |
|  | B-2711-VF05 (p. D4)    |
|  | B-2711-WS (p. D4)      |
|  | B-2730-WS (p. D4)      |
|  | B-2850-F05 (p. D19)    |
|  | B-2850-VF05 (p. D19)   |
|  | B-2850-WS (p. D19)     |
|  | B-2855-WS (p. D19)     |
|  | B-2862-WS (p. D14)     |
|  | B-2866-05-WS (p. D14)  |
|  | B-2866-F05 (p. D14)    |
|  | B-2866-VF05 (p. D14)   |
|  | B-2867-04-WS (p. D15)  |
|  | B-2990-F05 (p. D20)    |
|  | B-2990-VF05 (p. D20)   |
|  | B-2990-WH4-WS (p. D20) |
|  | B-2990-WS (p. D20)     |
|  | B-2991-WS (p. D25)     |

### SUFFIX GUIDE

|       |         |   |
|-------|---------|---|
| -F05  | 0.5 GPM | Non-aerated spray device                  |
| -VF05 | 0.5 GPM | Vandal-resistant non-aerated spray device |
| -WS   | 1.5 GPM | Water-conserving aerator                  |

See pages D82-83 for list of water-conserving outlets included in the models shown above

# Low Flow Outlets For Water Conservation Plumbing Models



Low flow aerators and outlets are an affordable way to reduce your water consumption and save energy and money.

**NEW Water-Saving Models!**

| Series 1   | Series 2   | Series 3   | Series 4   | Series 5  |
|--|--|--|--|---|
| <ul style="list-style-type: none"> <li>• 55/64"-27 UN female aerator threads</li> <li>• Fits all swing nozzles and 131X, 133X gooseneck</li> <li>• -WS models are water-saving aerators</li> </ul> | <ul style="list-style-type: none"> <li>• 3/8" NPSM male thread</li> <li>• Fits goosenecks</li> <li>• -WS models are water-saving aerators</li> </ul> | <ul style="list-style-type: none"> <li>• 13/16"-27 UN male aerator thread</li> <li>• Fits lavatory spouts</li> <li>• -WS models are water-saving aerators</li> </ul> | <ul style="list-style-type: none"> <li>• 15/16"-27 UN male thread</li> <li>• Fits single lever line</li> <li>• -WS models are water-saving aerators</li> </ul> | <ul style="list-style-type: none"> <li>• 13/16"-24 UN female thread</li> <li>• Fits other manufacturer's faucets</li> <li>• Includes adapter and washer with aerator</li> </ul> |

## Aerator with Flow Control

- Non-splash aerator with flow control



B-0199-01F-XX

B-0199-02F-XX

B-0199-03F-XX

Refer to Aerator Flow Chart to add Suffix Numbers

## Vandal Resistant Aerator with Flow Control

- Non-splash, vandal resistant aerator with flow control
- Tool to attach and remove aerator



B-0199-06F-XX

B-0199-07F-XX

B-0199-08F-XX

Refer to Aerator Flow Chart to add Suffix Numbers

## NEW! Non-Splash Aerator 1.5 GPM

- Non-splash aerator with flow control



B-0199-01-WS  
(1.5 GPM)

B-0199-02-WS  
(1.5 GPM)

B-0199-03-WS  
(1.5 GPM)

B-0199-04-WS  
(1.5 GPM)

B-0199-05-WS  
(1.5 GPM)

## NEW! Vandal Resistant Aerator 1.5 GPM

- Non-splash, vandal resistant aerator with flow control
- Tool to attach and remove aerator



B-0199-06-WS  
(1.5 GPM)

B-0199-07-WS  
(1.5 GPM)

B-0199-08-WS  
(1.5 GPM)

B-0199-09-WS  
(1.5 GPM)

B-0199-10-WS  
(1.5 GPM)

### Aerator Flow Chart

| Flow (GPM) | Suffix | Color Code |
|------------|--------|------------|
| 0.25       | F03    | No color   |
| 0.40       | F05    | Brown      |
| 0.70       | F07    | Green      |
| 0.90       | F10    | Grey       |
| 1.20       | F12    | Orange     |
| 1.40       | F15    | Purple     |
| 2.00       | F20    | Yellow     |

### Note:

Painted mark on each flow control within the assembly indicates flow of unit.

GPM ± 10%

### To order:

Select flow desired, then add suffix to model number.

For ex.: B-0199-02F15 for 1.40 GPM

### Flow Tower Chart

| Model No.  | Flow (GPM) |
|------------|------------|
| B-0198-F03 | 0.25       |
| B-0198-F05 | 0.40       |
| B-0198-F07 | 0.70       |
| B-0198-F10 | 0.90       |
| B-0198-F12 | 1.20       |
| B-0198-F15 | 1.40       |
| B-0198-F20 | 2.00       |

### For Serrated Hose End

### To order:

Select flow desired, then add suffix to model number.

Ex.: B-0198-~~F03~~ for 0.25 GPM

# Laminar Flow Outlets

## For Water Conservation Plumbing Models

**NEW!**

Check out our new non-splash, non-aerated laminar flow devices!

**NEW Water-Saving Models!**

|  |  | Series 1  | Series 3   | Series 4   |
|--|--|---|--|--|
| <p><b>Laminar Flow Regulator</b></p> <ul style="list-style-type: none"> <li>Non-splash, non-aerated stream</li> <li>Screenless; for use in medical facilities to prevent airborne bacteria from entering water stream</li> </ul>                  |  | <ul style="list-style-type: none"> <li>55/64"-27 UN female aerator threads</li> <li>Fits all swing nozzles, 131X, 133X gooseneck</li> </ul> | <ul style="list-style-type: none"> <li>13/16"-27 UN male aerator thread</li> <li>Fits lavatory spouts</li> </ul> | <ul style="list-style-type: none"> <li>15/16"-27 UN male thread</li> <li>Fits single lever line</li> </ul> |
|  |  | <p><b>B-0199-21</b><br/>(2.2 GPM)</p> <p><b>B-0199-29</b><br/>(1.5 GPM)</p>   | <p><b>B-0199-26</b><br/>(2.2 GPM)</p>  | <p><b>B-0199-25</b><br/>(2.2 GPM)</p>  |
| <p><b>NEW! Vandal Resistant Laminar Flow</b></p> <ul style="list-style-type: none"> <li>Same as B-0199-21 except is vandal resistant with key</li> <li>-VR - female thread</li> <li>-VRF - female thread</li> <li>-VRM - male thread</li> </ul>  |  | <p><b>B-0199-29-VR</b><br/>(1.5 GPM)</p> <p><b>B-0199-21-VRF</b><br/>(2.2 GPM)</p> <p><b>B-0199-21-VRM</b><br/>(2.2 GPM)</p>                | <p><b>B-0199-28</b><br/>(2.2 GPM)</p>  | <p><b>B-0199-27</b><br/>(2.2 GPM)</p>  |



### NEW! Non-Aerated Spray Devices

**NEW Water-Saving Models!**

**NEW! Water-saving 0.35 GPM and 0.5 GPM flow rate**

**NEW!**

Check out our new water-saving non-aerated spray devices with 0.35 and 0.5 GPM!

|   | Series 1   | Series 2   | Series 3   | Series 4   | Series 5  |
|---|--|--|--|--|---|
| <p><b>Non-Aerated Spray Device</b></p> <ul style="list-style-type: none"> <li>Non-splash non-aerated spray device</li> </ul>   | <ul style="list-style-type: none"> <li>55/64"-27 UN female thread</li> <li>Fits all swing nozzles, 131X, 133X gooseneck</li> </ul> | <ul style="list-style-type: none"> <li>3/8" NPSM male thread</li> <li>Fits goosenecks</li> </ul> | <ul style="list-style-type: none"> <li>13/16"-27 UN male thread</li> <li>Fits lavatory spouts</li> </ul> | <ul style="list-style-type: none"> <li>15/16"-27 UN male thread</li> <li>Fits single lever line</li> </ul> | <ul style="list-style-type: none"> <li>13/16"-24 UN female thread</li> <li>Fits other manufacturer's faucets</li> </ul> |
|   | <p><b>B-0199-01-N035</b><br/>(0.35 GPM)</p> <p><b>B-0199-01-N05</b><br/>(0.5 GPM)</p>  | <p><b>B-0199-02-N035</b><br/>(0.35 GPM)</p> <p><b>B-0199-02-N05</b><br/>(0.5 GPM)</p>            | <p><b>B-0199-03-N035</b><br/>(0.35 GPM)</p> <p><b>B-0199-03-N05</b><br/>(0.5 GPM)</p>                    | <p><b>B-0199-04-N035</b><br/>(0.35 GPM)</p> <p><b>B-0199-04-N05</b><br/>(0.5 GPM)</p>                      | <p><b>B-0199-05-N035</b><br/>(0.35 GPM)</p> <p><b>B-0199-05-N05</b><br/>(0.5 GPM)</p>                                   |
| <p><b>Vandal Resistant Non-Aerated Spray Device</b></p> <ul style="list-style-type: none"> <li>Non-splash, vandal resistant non-aerated spray device</li> <li>Tool to attach and remove outlet</li> </ul>  | <p><b>B-0199-06-N035</b><br/>(0.35 GPM)</p> <p><b>B-0199-06-N05</b><br/>(0.5 GPM)</p>  | <p><b>B-0199-07-N035</b><br/>(0.35 GPM)</p> <p><b>B-0199-07-N05</b><br/>(0.5 GPM)</p>            | <p><b>B-0199-08-N035</b><br/>(0.35 GPM)</p> <p><b>B-0199-08-N05</b><br/>(0.5 GPM)</p>                    | <p><b>B-0199-09-N035</b><br/>(0.35 GPM)</p> <p><b>B-0199-09-N05</b><br/>(0.5 GPM)</p>                      | <p><b>B-0199-10-N035</b><br/>(0.35 GPM)</p> <p><b>B-0199-10-N05</b><br/>(0.5 GPM)</p>                                   |

# Definitions and Use

## T&S Water Conservation Products



### Aerator Outlets

Faucet aerators introduce air into the water stream to produce a larger white stream soft to the touch and non-splashing. (Refer to page D82).



### Laminar Flow Outlets

Laminar flow (laminar stream) straighteners produce a non-aerated water stream. Ideal for high flow applications or healthcare facilities (no mix water/air). Laminar spout-end devices deliver a crystal clear and non-splashing stream. (Refer to page D83).



### Non-Aerated Spray Outlets

When the flow rate is too low to produce an aerated or laminar stream, a spray device is used to produce a miniature shower pattern to provide full coverage of the hands during washing. Sprays are recommended for use in public lavatories. (Refer to page D83).



### Plain End Outlets with Flow Towers

Plain-end nozzles are unthreaded at the outlet area to prevent the usage of aerators or other screw-on devices, so the maximum flow rate permissible by code or job specification must be controlled by other means. T&S Brass recommends that one flow tower (available in various flow rates) be installed in the tempered area of the faucet (after the cartridges, but before the unthreaded outlet area) to achieve maximum customer satisfaction.

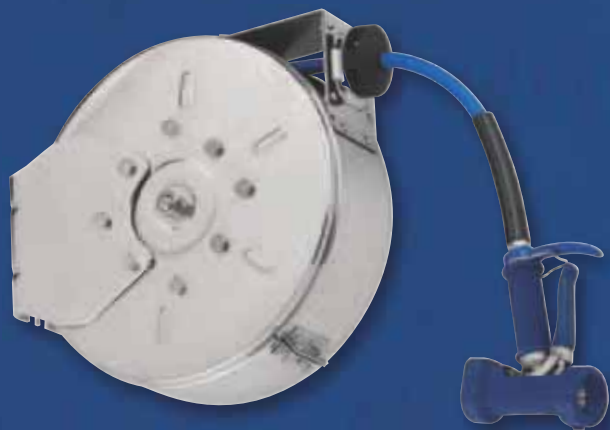


### Multiple Flow Tower Installation and Its Effect On GPM

In some of our water-saving faucets the flow rate restriction is installed inside the Eterna cartridges or inside the inlet shanks. In order to achieve the maximum flow rate it must be split between the flow towers on both hot and cold sides. In some cases, this type of flow rate division could lead to customer dissatisfaction if both cartridges are *not* opened simultaneously. For the best faucet performance we recommend the user open both hot and cold sides at the same time.

E

## Washdown and Clean-up Solutions



RELIABILITY BUILT IN™







## T&S Introduces Our NEW 12' Compact Stainless Steel Hose Reel



- [B-7102](#) Hose Reel - no spray valve (shown)
- [B-7102-01](#) with EB-0107 Hi-Flow Spray Valve
- [B-7102-01M](#) with B-0107 Spray Valve
- [B-7102-08H](#) with B-0108-H Hi-Flo JeTSpray
- [B-7102-08M](#) with B-0108 JeTSpray Valve

The new **T&S 12' Hose Reel** is a compact, lightweight professional-grade spring driven hose reel that is small enough to be used in applications where space is at a premium. Its compact size allows it to be mounted under the counter or in any other small space.

This reel is designed for equipment fabricators or anyone else seeking a compact, stainless steel, heavy-duty, professional-grade hose reel.

Fill your dipperwells, clean out dish machines or spray down combi ovens with the new **T&S 12' Hose Reel**, the market's first compact stainless steel reel built for heavy-duty applications. Daily work is simpler thanks to hose reels designed with the end user in mind.

See how the T&S 12' Hose Reel can help you work more efficiently and safely at [www.tsbrass.com](http://www.tsbrass.com).

### Dynamic Features and Benefits

| Feature                              | Function  | Benefit   |
|--------------------------------------|---|---|
| Adjustable Arm                       | Hose reel arm is adjustable to two different positions.   | Gives user greater flexibility for their particular application. Adjustability allows arm to be either in wall mount or under counter mount position.   |
| Anti-Lockout Ratchet Design          | When hose is fully extended, ratchet pawl is inbetween two sets of locking gears.   | Allows hose to retract freely. Eliminates need to manually rewind the hose.   |
| Brass Swivel on Stainless Shaft      | Eliminates a condition known as "galling" where excessive friction between like metals results in localized welding with subsequent splitting of one or both of two mating parts. | Reduces risk of rusting, leaking and potentially an unusable hose reel.   |
| Hose                                 | Hose has a nitrile tube and oil-resistant synthetic rubber jacket with a synthetic yarn braid for reinforcement. Rated up to 200°F and 300 psi.                                   | Hose has better oil and grease resistant properties than PVC or EPDM rubber hose.   |
| Impact Resistant Ratcheting Assembly | Ratchet plate is 1/4" thick stainless steel with six catch points. Ratchet pawl is made from corrosion resistant steel.   | Longer service life as compared to others where the parts are made from plastic and tend to break under stress.   |
| Mounting Base                        | Contains multiple holes and slots.  | Makes reel easier to retrofit to existing mounting patterns. Eliminates need to drill additional holes to a specific mounting pattern.  |
| Protected Hose Outlet                | Hose outlet contains a full guide bushing that rims the opening.  | Allows the hose to move freely across guide bushing instead of against metal. Hose doesn't bind in corners as it can in outlets with only four rollers, resulting in longer hose jacket life. |

T&S Brass and Bronze Works, Inc.  
2 Saddleback Cove • P.O. Box 1088 • Travelers Rest, SC 29690  
Phone 864.834.6715 • Fax 864.834.3518

[www.tsbrass.com](http://www.tsbrass.com)



## OPEN Stainless Steel Hose Reels

**NEW!**

### B-7102 SERIES 12' Compact Open Stainless Steel Hose Reel

- Compact, lightweight, professional-grade spring driven 3/8" x 12' hose reel
- Small enough to be used where space is a premium
- Adjustable arm for wall-mount / under counter applications
- Anti-lockout ratchet design allows hose to retract freely
- Brass swivel on stainless shaft reduces risk of rust, leaks
- Hose has a nitrile tube and oil-resistant synthetic rubber jacket, rated up to 200°F and 300 PSI
- Impact-resistant ratcheting assembly means a longer life
- Mounting base with multiple holes and slots
- Protected hose outlet allows hose to move freely along guide bushing



12' Hose, 3/8" I.D.

|                   |  |
|-------------------|--|
| <b>B-7102</b>     | Hose Reel only – no spray valve                        |
| <b>B-7102-01</b>  | with <b>EB-0107</b> Hi-Flo Blue Spray Valve (4.0+ GPM) |
| <b>B-7102-01M</b> | with <b>B-0107</b> Gray Spray Valve (1.42 GPM)         |
| <b>B-7102-08H</b> | with <b>B-0108-H</b> Hi-Flow JeTSpray Valve            |
| <b>B-7102-08M</b> | with <b>B-0108</b> JeTSpray Valve (1.48 GPM)           |

### Spray Outlet Options (All models this page; see chart, p. E5)

- Four spray valves with heat-resistant handles
- Two heavy-duty water guns
- Extended spray wand

### Features (B-7112, B-7132 and B-7142 Series)

- Open reel with stainless steel finish
- Heavy-duty blue hose, 3/8" and 1/2" I.D., rated to 300 PSI
- Ratcheting system holds the length of hose until a slight tug; retracts automatically
- 3/8" NPT female inlet
- Adjustable hose bumper
- Multi-fit bracket for wall, ceiling or under counter mounting

### Installation Note

If mixing valve is used, check valves should be installed to prevent crossflow of water

15' Hose, 3/8" I.D.

|                   |  |
|-------------------|--|
| <b>B-7112-01</b>  | <b>EB-0107</b> Blue Spray Valve (photo)      |
| <b>B-7112-01M</b> | <b>B-0107</b> Spray Valve (1.42 gpm)         |
| <b>B-7112-05</b>  | <b>MV-2522-24</b> Front Trigger Water Gun    |
| <b>B-7112-08H</b> | <b>B-0108-H</b> JeTSpray Hi-Flow Spray Valve |
| <b>B-7112-08M</b> | <b>B-0108</b> JeTSpray Valve (1.48 gpm)      |
| <b>B-7112-10</b>  | <b>EB-2322</b> Extended Spray Wand           |

35' Hose, 3/8" I.D.

|                   |  |
|-------------------|--|
| <b>B-7132-01</b>  | <b>EB-0107</b> Blue Spray Valve              |
| <b>B-7132-01M</b> | <b>B-0107</b> Spray Valve (1.42 gpm)         |
| <b>B-7132-02</b>  | <b>MV-2516-24</b> Rear Trigger Water Gun     |
| <b>B-7132-05</b>  | <b>MV-2522-24</b> Front Trigger Water Gun    |
| <b>B-7132-08H</b> | <b>B-0108-H</b> JeTSpray Hi-Flow Spray Valve |
| <b>B-7132-08M</b> | <b>B-0108</b> JeTSpray Valve (1.48 gpm)      |
| <b>B-7132-10</b>  | <b>EB-2322</b> Extended Spray Wand           |



Open Stainless Steel Hose Reels

50' Hose, 3/8" I.D.

|                   |  |
|-------------------|--|
| <b>B-7142-01</b>  | <b>EB-0107</b> Blue Spray Valve              |
| <b>B-7142-01M</b> | <b>B-0107</b> Spray Valve (1.42 gpm)         |
| <b>B-7142-02</b>  | <b>MV-2516-24</b> Rear Trigger Water Gun     |
| <b>B-7142-05</b>  | <b>MV-2522-24</b> Front Trigger Water Gun    |
| <b>B-7142-08H</b> | <b>B-0108-H</b> JeTSpray Hi-Flow Spray Valve |
| <b>B-7142-08M</b> | <b>B-0108</b> JeTSpray Valve (1.48 gpm)      |
| <b>B-7142-10</b>  | <b>EB-2322</b> Extended Spray Wand           |

## ENCLOSED Stainless Steel Hose Reels

### Spray Outlet Options (see photos below)

- Four spray valves with heat-resistant handles
- Two heavy-duty water guns
- Extended spray wand

### Features

- Enclosed reel with stainless steel finish
- Heavy-duty blue hose, 3/8" I.D., rated to 300 PSI
- Ratcheting system holds the length of hose until a slight tug; retracts automatically
- 3/8" NPT female inlet
- Adjustable hose bumper
- Multi-fit bracket for wall, ceiling or under counter mounting

### Installation Note

If mixing valve is used, check valves should be installed to prevent crossflow of water

### Enclosed Stainless Steel Hose Reels



### Spray Outlet Options

#### Model Suffix

|   |  |
|---|--|
|  | B-0107 (-01M)<br>Spray Valve (1.42 gpm)              |
|   | EB-0107 (-01)<br>Spray Valve (4.0+ gpm)              |
|  | MV-2516-24 (-02)<br>5/16"<br>Rear Trigger Water Gun  |
|  | MV-2522-24 (-05)<br>5/16"<br>Front Trigger Water Gun |
|  | B-0108 (-08M)<br>JeTSpray Valve (1.48 gpm)           |
|   | B-0108-H (-08H)<br>Hi-Flow JeTSpray Valve            |
|  | EB-2322 (-10)<br>Extended Spray Wand                 |

30' Hose, 3/8" I.D.

|                    |   |
|--------------------|---|
| <b>B-7122-C01</b>  | <b>EB-0107</b> Blue Spray Valve (photo; 4.0+ gpm) |
| <b>B-7122-C01M</b> | <b>B-0107</b> Spray Valve (1.42 gpm)              |
| <b>B-7122-C02</b>  | <b>MV-2516-24</b> Rear Trigger Water Gun          |
| <b>B-7122-C05</b>  | <b>MV-2522-24</b> Front Trigger Water Gun         |
| <b>B-7122-C08H</b> | <b>B-0108-H</b> JeTSpray Hi-Flow Spray Valve      |
| <b>B-7122-C08M</b> | <b>B-0108</b> JeTSpray Valve (1.48 gpm)           |
| <b>B-7122-C10</b>  | <b>EB-2322</b> Extended Spray Wand                |

50' Hose, 3/8" I.D.

|                    |   |
|--------------------|---|
| <b>B-7142-C01</b>  | <b>EB-0107</b> Blue Spray Valve (photo; 4.0+ gpm) |
| <b>B-7142-C01M</b> | <b>B-0107</b> Spray Valve (1.42 gpm)              |
| <b>B-7142-C02</b>  | <b>MV-2516-24</b> Rear Trigger Water Gun          |
| <b>B-7142-C05</b>  | <b>MV-2522-24</b> Front Trigger Water Gun         |
| <b>B-7142-C08H</b> | <b>B-0108-H</b> JeTSpray Hi-Flow Spray Valve      |
| <b>B-7142-C08M</b> | <b>B-0108</b> JeTSpray Valve (1.48 gpm)           |
| <b>B-7142-C10</b>  | <b>EB-2322</b> Extended Spray Wand                |

See pages E18 and E32 for full descriptions of these products

|   |   |
|---|---|
|  | MV-3516-24 (-11)<br>5/16"<br>Aluminum Rear<br>Trigger Water Gun |
|---|---|

## OPEN Epoxy Coated Steel Hose Reels

### Spray Outlet Options (see chart, p. E7)

- Four spray valves with heat-resistant handles
- Two heavy-duty water guns
- Extended spray wand

### Features

- Open reel with epoxy coated steel finish
- Heavy-duty blue hose, 3/8" and 1/2" I.D., rated to 300 PSI
- Ratcheting system holds the length of hose until a slight tug; retracts automatically
- 3/8" NPT female inlet
- Adjustable hose bumper
- Multi-fit bracket for wall, ceiling or under counter mounting

15' Hose, 3/8" I.D.

|                   |   |
|-------------------|---|
| <b>B-7212-01</b>  | <b>EB-0107</b> Blue Spray Valve (4.0+ gpm)        |
| <b>B-7212-01M</b> | <b>B-0107</b> Spray Valve (1.42 gpm)              |
| <b>B-7212-02</b>  | <b>MV-2516-24</b> Rear Trigger Water Gun (photo)  |
| <b>B-7212-05</b>  | <b>MV-2522-24</b> Front Trigger Water Gun         |
| <b>B-7212-08H</b> | <b>B-0108-H</b> JeTSpray Hi-Flow Spray Valve      |
| <b>B-7212-08M</b> | <b>B-0108</b> JeTSpray Valve (1.48 gpm)           |
| <b>B-7212-10</b>  | <b>EB-2322</b> Extended Spray Wand                |
| <b>B-7212-11</b>  | <b>MV-3516-24</b> Aluminum Rear Trigger Water Gun |

35' Hose, 3/8" I.D.

|                   |   |
|-------------------|---|
| <b>B-7232-01</b>  | <b>EB-0107</b> Blue Spray Valve (4.0+ gpm; photo) |
| <b>B-7232-01M</b> | <b>B-0107</b> Spray Valve (1.42 gpm)              |
| <b>B-7232-02</b>  | <b>MV-2516-24</b> Rear Trigger Water Gun          |
| <b>B-7232-05</b>  | <b>MV-2522-24</b> Front Trigger Water Gun         |
| <b>B-7232-08H</b> | <b>B-0108-H</b> JeTSpray Hi-Flow Spray Valve      |
| <b>B-7232-08M</b> | <b>B-0108</b> JeTSpray Valve (1.48 gpm)           |
| <b>B-7232-10</b>  | <b>EB-2322</b> Extended Spray Wand                |
| <b>B-7232-11</b>  | <b>MV-3516-24</b> Aluminum Rear Trigger Water Gun |

35' Hose, 1/2" I.D.

|                   |  |
|-------------------|--|
| <b>B-7233-02</b>  | <b>MV-2516-24</b> Rear Trigger Water Gun     |
| <b>B-7233-05</b>  | <b>MV-2522-24</b> Front Trigger Water Gun    |
| <b>B-7233-08H</b> | <b>B-0108-H</b> JeTSpray Hi-Flow Spray Valve |

50' Hose, 3/8" I.D.

|                   |  |
|-------------------|--|
| <b>B-7242-01</b>  | <b>EB-0107</b> Blue Spray Valve (4.0+ gpm)   |
| <b>B-7242-01M</b> | <b>B-0107</b> Spray Valve (1.42 gpm)         |
| <b>B-7242-02</b>  | <b>MV-2516-24</b> Rear Trigger Water Gun     |
| <b>B-7242-05</b>  | <b>MV-2522-24</b> Front Trigger Water Gun    |
| <b>B-7242-08H</b> | <b>B-0108-H</b> JeTSpray Hi-Flow Spray Valve |
| <b>B-7242-08M</b> | <b>B-0108</b> JeTSpray Valve (1.48 gpm)      |
| <b>B-7242-10</b>  | <b>EB-2322</b> Extended Spray Wand           |

### Open Epoxy Coated Hose Reels



### Installation Note

If mixing valve is used, check valves should be installed to prevent crossflow of water

50' Hose, 1/2" I.D.

|                   |  |
|-------------------|--|
| <b>B-7243-02</b>  | <b>MV-2516-24</b> Rear Trigger Water Gun     |
| <b>B-7243-05</b>  | <b>MV-2522-24</b> Front Trigger Water Gun    |
| <b>B-7243-08H</b> | <b>B-0108-H</b> JeTSpray Hi-Flow Spray Valve |

50' Hose, 3/4" I.D. (shown below\*)

|                  |   |
|------------------|---|
| <b>B-7245-03</b> | <b>MV-2516-34</b> 7/16" Rear Trigger Water Gun  |
| <b>B-7245-06</b> | <b>MV-2522-34</b> 7/16" Front Trigger Water Gun |

### B-7245-03 and B-7245-06 Heavy-Duty Hose Reels\*

### Features

- Open reel with epoxy coated steel finish
- 50' (15.2 m) industrial grade white hose, 3/4" I.D.
- Ratcheting system holds the length of hose until a slight tug; retracts automatically
- 3/4" NPT male and female inlet
- 1/2" NPT male swivel on outlet of hose; 3/4" male NPT inlet

**B-7245-NH** 3/4" hose reel with 3/4" coupling – NO hose



## ENCLOSED Epoxy Coated Steel Hose Reels

### Spray Outlet Options (see photos below)

- Four spray valves with heat-resistant handles
- Two heavy-duty water guns
- Extended spray wand

### Features

- Enclosed reel with epoxy coated steel finish
- Heavy-duty blue hose, 3/8" and 1/2" I.D., rated to 300 PSI
- Ratcheting system holds the length of hose until a slight tug; retracts automatically
- 3/8" NPT female inlet
- Adjustable hose bumper
- Multi-fit bracket for wall, ceiling or under counter mounting

### Installation Note

If mixing valve is used, check valves should be installed to prevent crossflow of water

### Enclosed Epoxy Coated Hose Reels



### Spray Outlet Options

Model Suffix

|   |  |
|---|--|
|  | B-0107 (-01M)<br>Spray Valve (1.42 gpm)<br>EB-0107 (-01)<br>Spray Valve (4.0+ gpm)   |
|  | MV-2516-24 (-02)<br>5/16"<br>Rear Trigger Water Gun<br>MV-2516-34 (-03)<br>7/16"<br>Rear Trigger Water Gun<br>(B-7245-03 only)   |
|  | MV-2522-24 (-05)<br>5/16"<br>Front Trigger Water Gun<br>MV-2522-34 (-06)<br>7/16"<br>Front Trigger Water Gun<br>(B-7245-06 only) |
|  | B-0108 (-08M)<br>JeTSpray Valve (1.48 gpm)<br>B-0108-H (-08H)<br>Hi-Flow JeTSpray Valve  |
|  | EB-2322 (-10)<br>Extended Spray Wand   |

30' Hose, 3/8" I.D.

|                    |   |
|--------------------|---|
| <b>B-7222-C01</b>  | <b>EB-0107</b> Blue Spray Valve (photo; 4.0+ gpm) |
| <b>B-7222-C01M</b> | <b>B-0107</b> Spray Valve (1.42 gpm)              |
| <b>B-7222-C02</b>  | <b>MV-2516-24</b> Rear Trigger Water Gun          |
| <b>B-7222-C05</b>  | <b>MV-2522-24</b> Front Trigger Water Gun         |
| <b>B-7222-C08H</b> | <b>B-0108-H</b> JeTSpray Hi-Flow Spray Valve      |
| <b>B-7222-C08M</b> | <b>B-0108</b> JeTSpray Valve (1.48 gpm)           |
| <b>B-7222-C10</b>  | <b>EB-2322</b> Extended Spray Wand                |
| <b>B-7222-C11</b>  | <b>MV-3516-24</b> Aluminum Rear Trigger Water Gun |

50' Hose, 3/8" I.D.

|                    |   |
|--------------------|---|
| <b>B-7242-C01</b>  | <b>EB-0107</b> Blue Spray Valve (shown; 4.0+ gpm) |
| <b>B-7242-C01M</b> | <b>B-0107</b> Spray Valve (1.42 gpm)              |
| <b>B-7242-C02</b>  | <b>MV-2516-24</b> Rear Trigger Water Gun          |
| <b>B-7242-C05</b>  | <b>MV-2522-24</b> Front Trigger Water Gun         |
| <b>B-7242-C08H</b> | <b>B-0108-H</b> JeTSpray Hi-Flow Spray Valve      |
| <b>B-7242-C08M</b> | <b>B-0108</b> JeTSpray Valve (1.48 gpm)           |
| <b>B-7242-C10</b>  | <b>EB-2322</b> Extended Spray Wand                |

See pages E18 and E32 for full descriptions of these products

|   |   |
|---|---|
|  | MV-3516-24 (-11)<br>5/16"<br>Aluminum Rear<br>Trigger Water Gun |
|---|---|

**Open and Enclosed Hose Reels – Specifications**

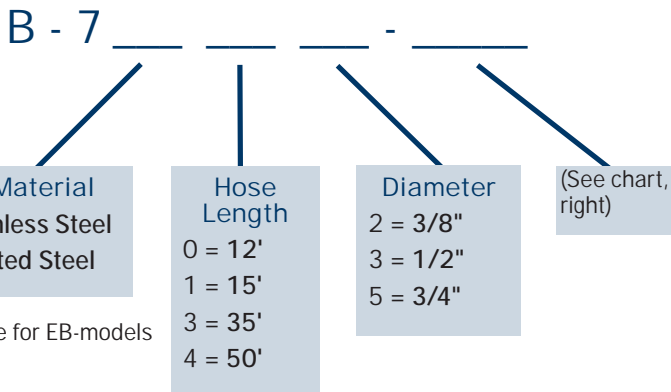
E  
8



This configurator shows you how to custom order your hose reel according to its application.

*Note: not all combinations are available. Check with T&S Customer Service for more information.*

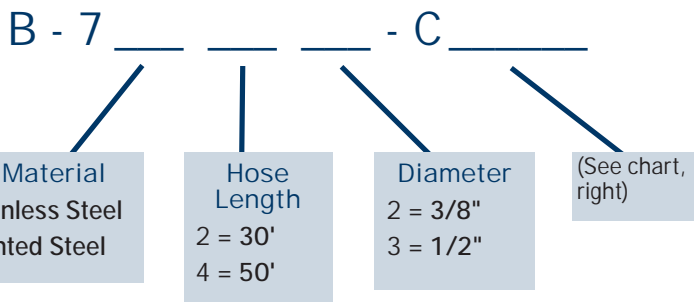
**Model B-7000 Series  
OPEN Hose Reels**



**For example: B-7145-03** = Stainless steel open hose reel, 50' hose with 3/4" diameter and B-2516-34 Rear Trigger Water Gun (7/16")



**Model B-7000-C Series  
ENCLOSED Hose Reels**



**For example: B-7222-C06** = Painted steel enclosed hose reel, 30' hose with 3/8" diameter and B-2522-34 Front Trigger Water Gun (7/16")

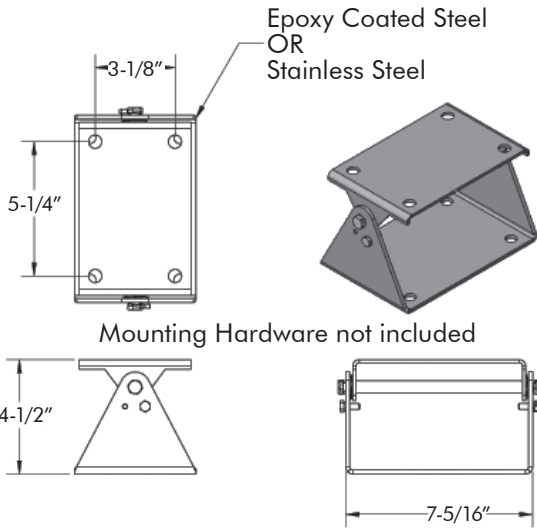
**Spray Valves and  
Water Guns**

|   | Suffix   |
|---|--|
|     | B-0107 Spray Valve -01M                              |
|     | EB-0107 Spray Valve -01                              |
|    | MV-2516-24 5/16" Rear Trigger Water Gun -02          |
|    | MV-2516-34 7/16" Rear Trigger Water Gun -03          |
|    | MV-2516-44 9/16" Rear Trigger Water Gun -04          |
|  | MV-2522-24 5/16" Front Trigger Water Gun -05         |
|  | MV-2522-34 7/16" Front Trigger Water Gun -06         |
|  | MV-2522-44 9/16" Front Trigger Water Gun -07         |
|   | B-0108 JetSpray Valve -08M                           |
|   | B-0108-H Hi-Flow JetSpray Valve -08H                 |
|  | EB-2322 Extended Spray Wand -10                      |
|  | MV-3516-24 5/16" Aluminum Rear Trigger Water Gun -11 |

Mounting Brackets

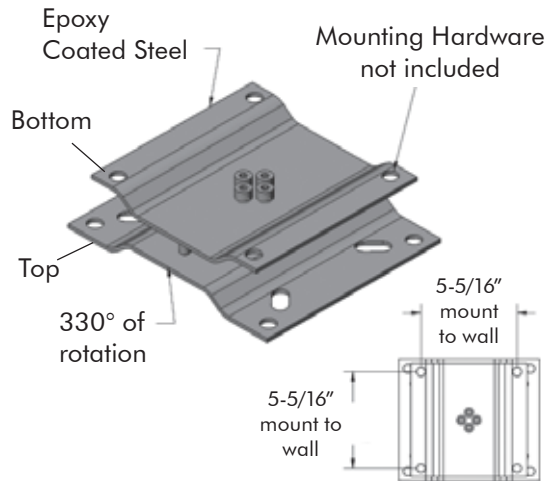
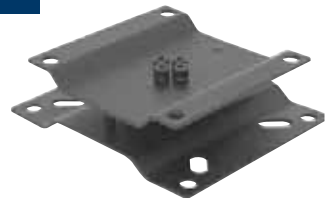
**G016636-45  
Swing Bracket**

- Epoxy coated steel
- Fits all 35' epoxy coated hose reels



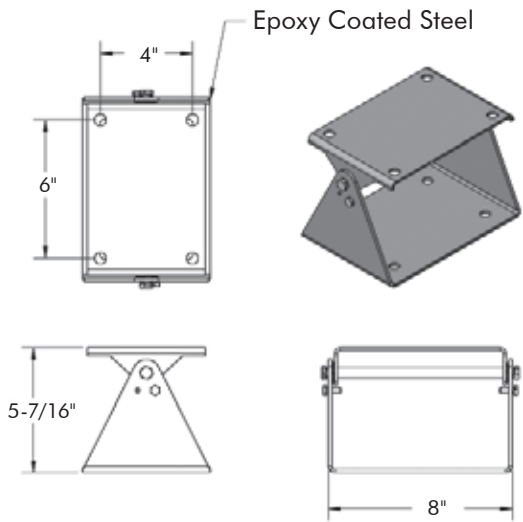
**G016652-45  
Pivot Bracket**

- Epoxy coated steel
- Fits all T&S hose reels



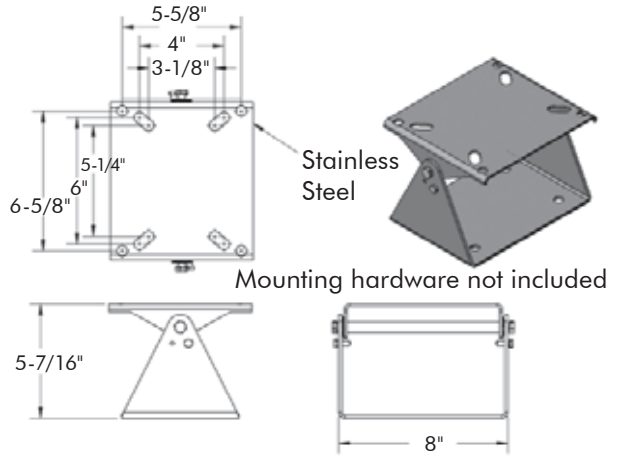
**G016637-45  
Swing Bracket**

- Epoxy coated steel
- Fits all 50' epoxy coated hose reels



**G016737-45  
Stainless Steel Bracket**

- Stainless steel
- Fits all T&S stainless steel hose reels



Our T&S pre-configured hose reel systems are designed for ease of specification and installation. They include all the components, piping and accessories needed to install a complete hose reel system in your facility.

The charts on the following four pages show a detailed list of components included in each complete hose reel system by model number. We suggest that you begin by

choosing the hose reel you need – open or enclosed, stainless steel or epoxy coated steel and the desired hose length and diameter.

You can include any of our spray outlet options with our hose reels by just adding the appropriate suffix. For example, to add an EB-0107 spray valve to a B-7232 hose reel, just specify a B-7232-01.

|                        | <b>B-1430</b>                     | <b>B-1431</b>                     | <b>B-1432</b>                 |
|------------------------|-----------------------------------|-----------------------------------|-------------------------------|
| Hose Reel Model/Type   | B-7222-C01 Epoxy/Enclosed/30'     | B-7232-01 Epoxy/Open/35'          | B-7222-C01 Epoxy/Enclosed/30' |
| Spray Valve Model      | EB-0107 4.0+ GPM                  | EB-0107 4.0+ GPM                  | EB-0107 4.0+ GPM              |
| Water Gun Model        | N/A                               | N/A                               | N/A                           |
| Connector to Hose      | HW-4B-36                          | HW-4B-36                          | HW-4B-36                      |
| Vacuum Breaker Model   | B-0963                            | B-0963                            | B-0963                        |
| Upper Riser            | 3/8" NPT x 40"                    | 3/8" NPT x 40"                    | (2) 3/8" NPT x 22"            |
| Control Valve          | ORK3 and B-0462 3/8" Angle Flange | ORK3 and B-0462 3/8" Angle Flange | ORK2                          |
| Lower Riser            | 3/8" NPT x 26"                    | 3/8" NPT x 26"                    | 3/8" NPT x 12"                |
| Wall Bracket(s)        | B-0109-07                         | B-0109-07                         | B-0109-07                     |
| Mixing Valve           | B-0513                            | B-0513                            | B-0513                        |
| Check Valves           | (2) B-CVH1-2                      | (2) B-CVH1-2                      | (2) B-CVH1-2                  |
| Special Configurations | Partially concealed installation  | Partially concealed installation  | Concealed installation        |

|                        | <b>B-1432-01</b>         | <b>B-1432-7122-C01</b>                  | <b>B-1433</b>                   |
|------------------------|--------------------------|---|---------------------------------|
| Hose Reel Model/Type   | B-7232-01 Epoxy/Open/35' | B-7122-C01 Stainless Steel/Enclosed/30' | B-7222-C01 Epoxy/Enclosed/30'   |
| Spray Valve Model      | EB-0107 4.0+ GPM         | EB-0107 4.0+ GPM                        | EB-0107 4.0+ GPM                |
| Water Gun Model        | N/A                      | N/A                                     | N/A                             |
| Connector to Hose      | HW-4B-36                 | HW-4B-36                                | HW-4B-36                        |
| Vacuum Breaker Model   | B-0963                   | B-0963                                  | B-0963                          |
| Upper Riser            | (2) 3/8" NPT x 22"       | 3/8" NPT x 22"                          | 3/8" NPT x 40"                  |
| Control Valve          | ORK2                     | ORK2                                    | ORK3                            |
| Lower Riser            | 3/8" NPT x 12"           | 3/8" NPT x 12"                          | 3/8" NPT x 16"                  |
| Wall Bracket(s)        | B-0109-07                | B-0109-07                               | (2) B-0109-07                   |
| Mixing Valve           | B-0513                   | B-0513                                  | 002832-40 Wall/8"/Spring Checks |
| Check Valves           | (2) B-CVH1-2             | (2) B-CVH1-2                            | N/A                             |
| Special Configurations | Concealed installation   | Concealed installation                  | N/A                             |

**Enclosed  
Stainless Steel**

**Open  
Stainless Steel**

**Enclosed Epoxy  
Coated Steel**

**Open Epoxy  
Coated Steel**



**Hose Reel  
SUFFIX GUIDE**  
The hose reel suffix indicates which Spray Outlet is included:

|             |                   |
|-------------|-------------------|
| <b>-01</b>  | <b>EB-0107</b>    |
| <b>-C01</b> | <b>EB-0107</b>    |
| <b>-01M</b> | <b>B-0107</b>     |
| <b>-02</b>  | <b>MV-2516-24</b> |
| <b>-05</b>  | <b>MV-2522-24</b> |

|                        | <b>B-1433-01</b>                | <b>B-1433-02</b>                         | <b>B-1433-04</b>                |
|------------------------|---------------------------------|--|---------------------------------|
| Hose Reel Model/Type   | B-7232-01 Epoxy/Open/35'        | B-7222-C01 Epoxy/Enclosed/30'            | B-7222-C05 Epoxy/Enclosed/30'   |
| Spray Valve Model      | EB-0107 4.0+ GPM                | EB-0107 4.0+ GPM                         | N/A                             |
| Water Gun Model        | N/A                             | N/A                                      | MV-2522-24                      |
| Connector to Hose      | HW-4B-36                        | B-0020-H2A S.S. Flexible Water Connector | HW-4B-36                        |
| Vacuum Breaker Model   | B-0963                          | B-0963                                   | B-0963                          |
| Upper Riser            | 3/8" NPT x 40"                  | 3/8" NPT x 40"                           | 3/8" NPT x 36"                  |
| Control Valve          | ORK3                            | ORK3                                     | ORK3                            |
| Lower Riser            | 3/8" NPT x 16"                  | 3/8" NPT x 16"                           | 3/8" NPT x 16"                  |
| Wall Bracket(s)        | (2) B-0109-07                   | (2) B-0109-07                            | (2) B-0109-07                   |
| Mixing Valve           | 002832-40 Wall/8"/Spring Checks | 002832-40 Wall/8"/Spring Checks          | 002832-40 Wall/8"/Spring Checks |
| Check Valves           | N/A                             | N/A                                      | N/A                             |
| Special Configurations | N/A                             | N/A                                      | N/A                             |

|                        | <b>B-1433-05</b>                | <b>B-1433-06</b>                | <b>B-1433-7132-01M</b>          |
|------------------------|---------------------------------|---------------------------------|---------------------------------|
| Hose Reel Model/Type   | B-7222-C01 Epoxy/Enclosed/30'   | B-7222-C01 Epoxy/Enclosed/30'   | B-7132-01M Stainless/Open/35'   |
| Spray Valve Model      | EB-0107 4.0+ GPM                | EB-0107 4.0+ GPM                | B-0107                          |
| Water Gun Model        | N/A                             | N/A                             | N/A                             |
| Connector to Hose      | HW-4B-36                        | HW-4B-36                        | HW-4B-36                        |
| Vacuum Breaker Model   | B-0963                          | B-0963                          | B-0963                          |
| Upper Riser            | 3/8" NPT x 32"                  | 3/8" NPT x 40"                  | 3/8" NPT x 40"                  |
| Control Valve          | ORK3                            | ORK3                            | ORK3                            |
| Lower Riser            | 3/8" NPT x 18"                  | 3/8" NPT x 18"                  | 3/8" NPT x 16"                  |
| Wall Bracket(s)        | (2) B-0109-07                   | (2) B-0109-07                   | (2) B-0109-07                   |
| Mixing Valve           | 002832-40 Wall/8"/Spring Checks | 002832-40 Wall/8"/Spring Checks | 002832-40 Wall/8"/Spring Checks |
| Check Valves           | N/A                             | N/A                             | N/A                             |
| Special Configurations | N/A                             | N/A                             | N/A                             |

|                        | <b>B-1433-CR-SC</b>                   | <b>B-1433-SC01</b>                | <b>B-1434-RG</b>                |
|------------------------|---------------------------------------|-----------------------------------|---------------------------------|
| Hose Reel Model/Type   | B-7142-02 Stainless/Open/50'          | B-7122-C01 Stainless/Enclosed/30' | B-7142-01 Stainless/Open/50'    |
| Spray Valve Model      | N/A                                   | EB-0107 4.0+ GPM                  | EB-0107 4.0+ GPM                |
| Water Gun Model        | MV-2516-24                            | N/A                               | N/A                             |
| Connector to Hose      | HW-4B-36                              | Hard Pipe Supply Included         | HW-4B-36                        |
| Vacuum Breaker Model   | B-0963                                | N/A                               | B-0963                          |
| Upper Riser            | 3/8" NPT x 40"                        | 3/8" NPT x 20"                    | 3/8" NPT x 32"                  |
| Control Valve          | ORK3                                  | ORK3                              | ORK3                            |
| Lower Riser            | 3/8" NPT x 16"                        | 3/8" NPT x 20"                    | 3/8" NPT x 16"                  |
| Wall Bracket(s)        | (2) B-0109-07                         | B-0109-07                         | (2) B-0109-07                   |
| Mixing Valve           | 002832-40 Wall/8"/Ceram Spring Checks | 002832-40 Wall/8"/Spring Checks   | 002832-40 Wall/8"/Spring Checks |
| Check Valves           | N/A                                   | B-0975                            | N/A                             |
| Special Configurations | N/A                                   | N/A                               | N/A                             |



Spray Valves and Water Guns • Connector Hoses • Control Valves • Wall Brackets • Mixing Valves



E  
12

|                        | <b>B-1436</b>                     | <b>B-1437</b>                   | <b>B-1438</b>                   |
|------------------------|-----------------------------------|---------------------------------|---------------------------------|
| Hose Reel Model/Type   | B-7132-01 Stainless/Open/35'      | B-7232-05 Epoxy/Open/30'        | B-7142-02 Stainless/Open/50'    |
| Spray Valve Model      | EB-0107 4.0+ GPM                  | N/A                             | N/A                             |
| Water Gun Model        | N/A                               | MV-2522-24 Front Trigger        | MV-2516-24 Rear Trigger         |
| Connector to Hose      | HW-4B-24                          | HW-4B-36                        | HW-4B-36                        |
| Vacuum Breaker Model   | B-0963                            | B-0963                          | B-0963                          |
| Upper Riser            | 3/8" NPT x 2" with 3/8" NPT Union | 3/8" NPT x 40"                  | 3/8" NPT x 40"                  |
| Control Valve          | ORK3                              | ORK3                            | ORK3                            |
| Lower Riser            | 3/8" NPT x 12"                    | 3/8" NPT x 16"                  | 3/8" NPT x 16"                  |
| Wall Bracket(s)        | B-0109-07                         | (2) B-0109-07                   | (2) B-0109-07                   |
| Mixing Valve           | 002829-40 Deck/8"/Spring Checks   | 002832-40 Wall/8"/Spring Checks | 002832-40 Wall/8"/Spring Checks |
| Check Valves           | N/A                               | N/A                             | N/A                             |
| Special Configurations | Stainless steel backplate         | N/A                             | N/A                             |

|                        | <b>B-1439</b>                   | <b>B-1444</b>                     | <b>B-1444-CV</b>                  |
|------------------------|---------------------------------|-----------------------------------|-----------------------------------|
| Hose Reel Model/Type   | B-7142-05 Stainless/Open/50'    | B-7142-C01 Stainless/Enclosed/50' | B-7142-C01 Stainless/Enclosed/50' |
| Spray Valve Model      | N/A                             | EB-0107 4.0+ GPM                  | EB-0107 4.0+ gpm                  |
| Water Gun Model        | MV-2522-24 Front Trigger        | N/A                               | N/A                               |
| Connector to Hose      | HW-4B-36                        | HW-4B-36                          | HW-4B-36                          |
| Vacuum Breaker Model   | B-0963                          | B-0963                            | B-0963                            |
| Upper Riser            | 3/8" NPT x 40"                  | 3/8" NPT x 40"                    | 3/8" NPT x 40"                    |
| Control Valve          | ORK3                            | ORK3                              | ORK3                              |
| Lower Riser            | 3/8" NPT x 16"                  | 3/8" NPT x 16"                    | 3/8" NPT x 16"                    |
| Wall Bracket(s)        | (2) B-0109-07                   | (2) B-0109-07                     | (2) B-0109-07                     |
| Mixing Valve           | 002832-40 Wall/8"/Spring Checks | 002832-40 Wall/8"/Spring Checks   | 002832-40 Wall/8"/Spring Checks   |
| Check Valves           | N/A                             | N/A                               | (2) B-CVH1-2                      |
| Special Configurations | N/A                             | N/A                               | N/A                               |

|                        | <b>B-1453</b>                       | <b>B-1454</b>                            | <b>B-1458</b>                     |
|------------------------|-------------------------------------|--|-----------------------------------|
| Hose Reel Model/Type   | B-7232-05 Epoxy/Open/35'            | B-7232-05 Epoxy/Open/35'                 | B-7122-C01 Stainless/Enclosed/30' |
| Spray Valve Model      | N/A                                 | N/A                                      | EB-0107 4.0+ GPM                  |
| Water Gun Model        | MV-2522-24 Front Trigger            | MV-2522-24 Front Trigger                 | N/A                               |
| Connector to Hose      | HW-4B-36                            | HW-4B-36                                 | HW-4B-36                          |
| Vacuum Breaker Model   | B-0963                              | B-0963                                   | B-0963                            |
| Upper Riser            | 3/8" NPT x 40"                      | 3/8" NPT x 40"                           | 3/8" NPT x 40"                    |
| Control Valve          | ORK3                                | ORK3                                     | ORK3                              |
| Lower Riser            | 3/8" NPT x 16"                      | 3/8" NPT x 16"                           | 3/8" NPT x 16"                    |
| Wall Bracket(s)        | (2) B-0109-07                       | (2) B-0109-07                            | (2) B-0109-07                     |
| Mixing Valve           | B-1035 Bypass Mixing Valve          | B-1035 Bypass Mixing Valve               | 002832-40 Wall/8"/Spring Checks   |
| Check Valves           | (2) B-CVH1-2                        | (2) B-CVH1-2                             | N/A                               |
| Special Configurations | Install above a service sink faucet | B-0674-BSTP Service sink faucet included | N/A                               |

|                        | <b>B-1459</b>                        | <b>B-1480</b>                                  |
|------------------------|--------------------------------------|--|
| Hose Reel Model/Type   | B-7122-C01 Stainless/Closed/30'      | B-7243-05 Epoxy/Open/1/2" x 50' Hose           |
| Spray Valve Model      | EB-0107 4.0+ GPM                     | N/A  |
| Water Gun Model        | N/A                                  | MV-2522-24 Front Trigger                       |
| Connector to Hose      | HW-4B-36                             | HW-4C-36                                       |
| Vacuum Breaker Model   | B-0963                               | B-0963   |
| Upper Riser            | 3/8" NPT x 18" with Elbow Assembly   | 1/2" NPT x 32"                                 |
| Control Valve          | N/A                                  | ORK3   |
| Lower Riser            | N/A                                  | 1/2" NPT x 18"                                 |
| Wall Bracket(s)        | B-0109-01                            | (2) B-0110                                     |
| Mixing Valve           | B-0512 Concealed/3"/4-Arm Handle     | 013988-40 Wall/8"/Spring Checks/for 1/2" riser |
| Check Valves           | (2) B-CVH1-2                         | N/A  |
| Special Configurations | For concealed or remote applications | 1/2" dia. hose                                 |



|                        | <b>B-2339</b>  | <b>B-2339-02</b>   |
|------------------------|--|--|
| Hose Reel Model/Type   | B-7222-C01 Epoxy/Closed/3/8" x 30'   | B-7222-C05 Epoxy/Enclosed/3/8" x 30'   |
| Spray Valve Model      | EB-0107 4.0+ GPM   | N/A  |
| Water Gun Model        | MV-2522-24   | N/A  |
| Connector to Hose      | HW-4B-24   | N/A  |
| Vacuum Breaker Model   | B-0963   | N/A  |
| Upper Riser            | N/A  | N/A  |
| Control Valve          | N/A  | N/A  |
| Lower Riser            | N/A  | N/A  |
| Wall Bracket(s)        | B-0109-06  | N/A  |
| Mixing Valve           | N/A  | N/A  |
| Check Valves           | N/A  | N/A  |
| Special Configurations | Rinse control cabinet includes Control Valve, Dual Check Valves, Thermometer and Hammer Arrestor | Rinse control cabinet includes Control Valve, Dual Check Valves, Thermometer and Hammer Arrestor |



**Hose Reel  
SUFFIX GUIDE**  
The hose reel suffix indicates which Spray Outlet is included:

|             |            |
|-------------|------------|
| <b>-01</b>  | EB-0107    |
| <b>-C01</b> | EB-0107    |
| <b>-01M</b> | B-0107     |
| <b>-02</b>  | MV-2516-24 |
| <b>-05</b>  | MV-2522-24 |

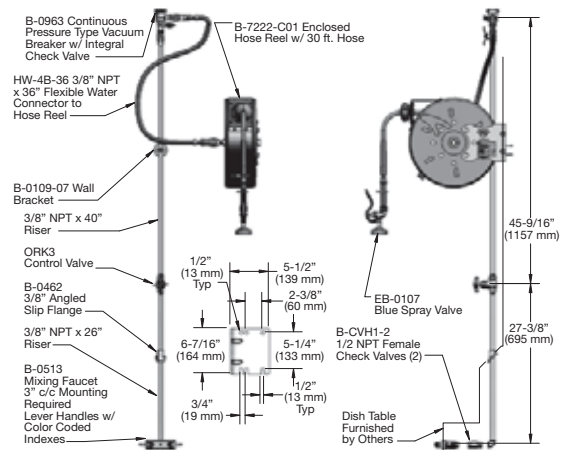
**Spray Valves and Water Guns • Connector Hoses  
Control Valves • Wall Brackets • Mixing Valves**

## Complete Hose Reel Assemblies

E  
14

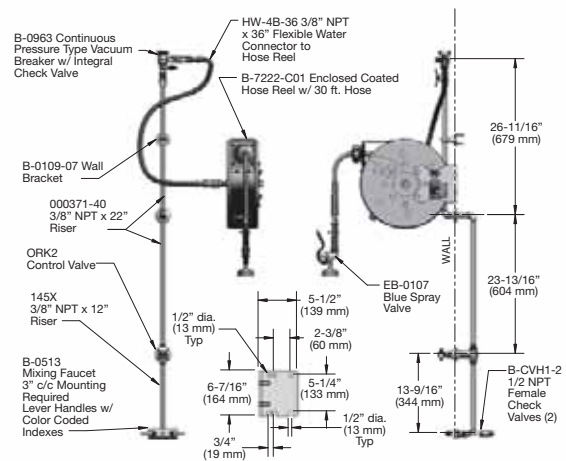
### B-1430 Enclosed 30' Hose Reel Assembly

- All-in-one system with exposed piping and accessories
- Enclosed hose reel (B-7222-C01) with EB-0107 blue spray valve
- Vacuum breaker (B-0963)
- Shut-off control valve (ORK3)
- 3" C/C wall-mounted mixing faucet (B-0513)
- Includes 36" (922 mm) flexible connecting hose
- Shipped with all components needed for installation



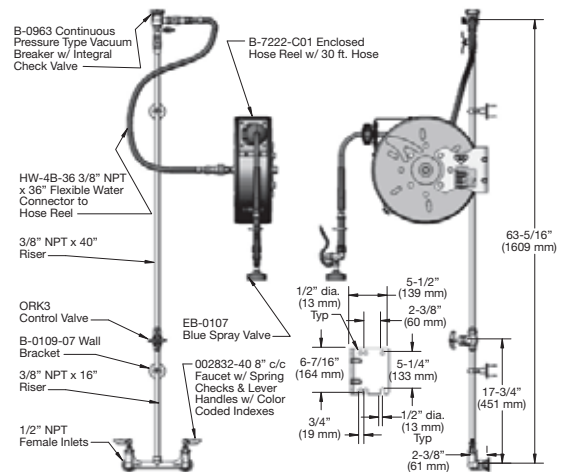
### B-1432 Enclosed 30' Hose Reel Assembly

- All-in-one system with exposed piping and accessories
- Enclosed hose reel (B-7222-C01) with EB-0107 blue spray valve
- Vacuum breaker (B-0963)
- Shut-off control valve (ORK2)
- 3" C/C wall-mounted mixing faucet (B-0513)
- Includes 36" (922 mm) flexible connecting hose
- Shipped with all components needed for installation



### B-1433 Enclosed 30' Hose Reel Assembly

- All-in-one system with exposed piping and accessories
- Enclosed hose reel (B-7222-C01) with EB-0107 blue spray valve
- Vacuum breaker (B-0963)
- Shut-off control valve (ORK3)
- 8" C/C wall mounted mixing faucet (002832-40)
- Includes 36" (922 mm) flexible connecting hose
- Shipped with all components needed for installation

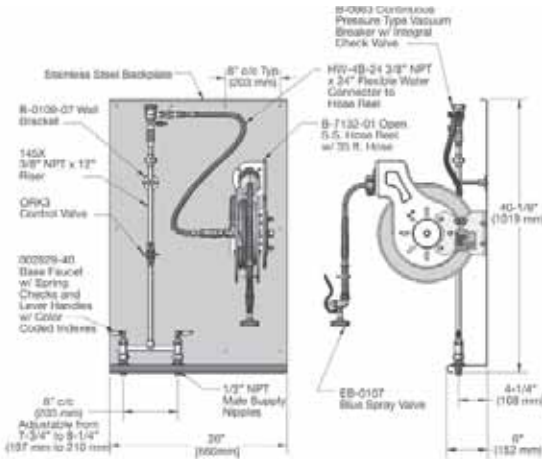


- **B-1433-01** Same as B-1433 except with B-7232-01 open hose reel
- **B-1433-02** Same as B-1433 except with 20" flexible hose supply and FreeSpin quick-connect
- **B-1433-04** Same as B-1433 except with front trigger water gun
- **B-1433-7132-01M** Same as B-1433 except with open stainless steel hose reel with 35' hose (B-7132-01M)
- **B-1433-01M-QDS** Same as B-1433 except with 35' open coated hose reel; includes two (2) quick-disconnect spray valves (B-0107-QD and EB-2322-QD)
- **B-1433-CR** Same as B-1433 except with ceramic cartridges
- **B-1433-CR-QDS** Same as B-1433-01M-QDS except with ceramic cartridges
- **B-1433-CR-SC-T** Same as B-1433-CR except with 50' open stainless steel reel and B-TEE-RGD mounted below the control valve
- **B-1434-RG** All-in-one system with exposed piping and accessories; includes B-7142-01 hose reel, 8" wall-mount mixing faucet, shut-off valve (ORK3), vacuum breaker (B-0963), flexible water supply hose

## Complete Hose Reel Assemblies

### B-1436 Open 35' Stainless Steel Hose Reel Assembly with Backplate

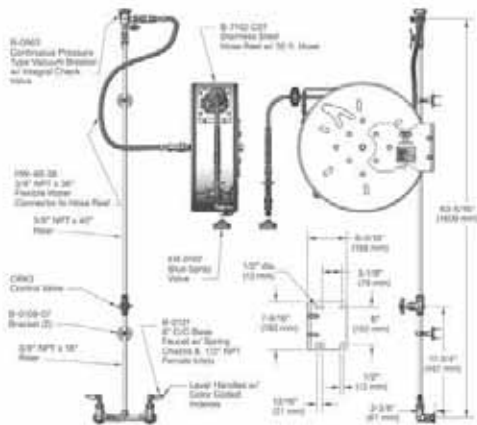
- All-in-one, convenient-to-install complete hose reel assembly
- Open hose reel (B-7132-01) with blue spray valve (EB-0107)
- Anti-siphon and anti-spill vacuum breaker (B-0963)
- Shut-off control valve (ORK3)
- 8" C/C deck mounted base faucet (002829-40)
- Stainless steel backplate
- Arrives completely assembled for easy installation



### B-1444 Enclosed Stainless Steel Hose Reel Assembly with 50' Hose

- All-in-one system with exposed piping and accessories
- Enclosed stainless steel hose reel (B-7142-C01) with EB-0107 blue spray valve
- Vacuum breaker (B-0963)
- Shut-off control valve (ORK3)
- 8" C/C wall-mounted mixing faucet (B-0131)
- Includes 36" (922 mm) flexible connecting hose assembly
- Shipped with all components needed for installation

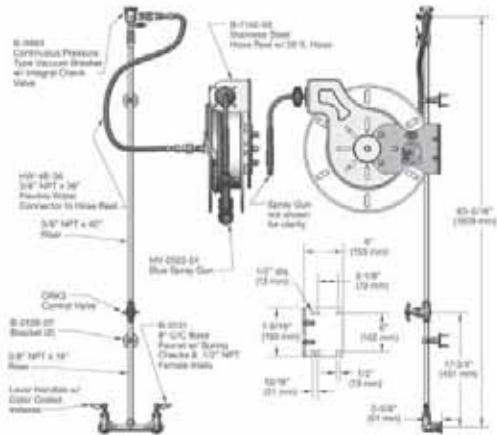
**B-1444-CV** Same as B-1444 except with two B-CVH1-2 check valves



### B-1439 Open Stainless Steel Hose Reel Assembly with 50' Hose

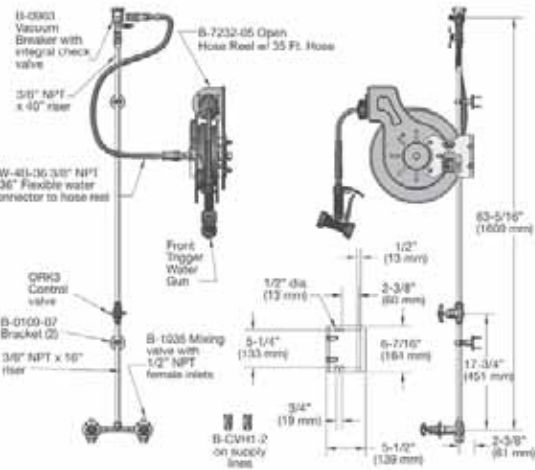
**NEW  
Hose Reel  
Assembly!**

- All-in-one system with exposed piping and accessories
- Open stainless steel hose reel (B-7142-05) with MV-2522-24 blue water gun
- Vacuum breaker (B-0963)
- Shut-off control valve (ORK3)
- 8" C/C wall-mounted mixing faucet (B-0131)
- Includes 36" (922 mm) flexible connecting hose assembly
- Shipped with all components needed for installation



### B-1453 Open Epoxy Coated Steel Hose Reel Assembly with 35' Hose

- All-in-one system with exposed piping and accessories
- Open hose reel (B-7232-05) with 35' hose and MV-2522 blue front trigger water gun
- Shut-off control valve (ORK3)
- B-1035 mixing valve with 1/2" NPT female inlets
- 3/8" NPT x 40" riser
- B-0963 continuous pressure type vacuum breaker with integral check valves (B-CVH1-2)
- Two (2) B-0109-07 wall brackets
- Shipped with all components needed for installation



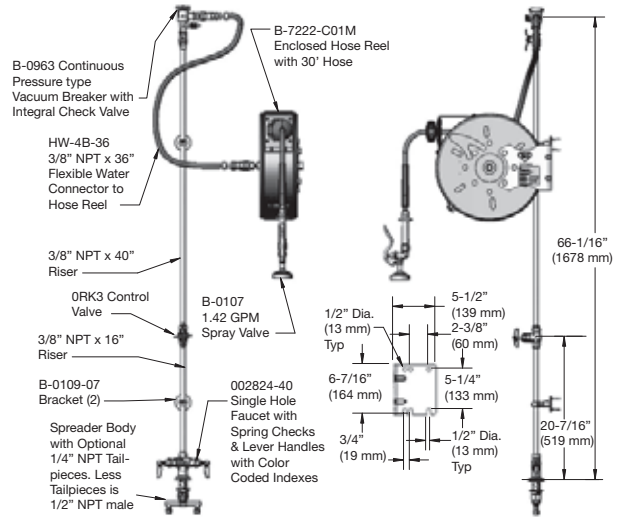
## Complete Hose Reel Assemblies

E  
16

### B-1457 Enclosed 30' Epoxy Coated Hose Reel Assembly

NEW  
Hose Reel  
Assembly!

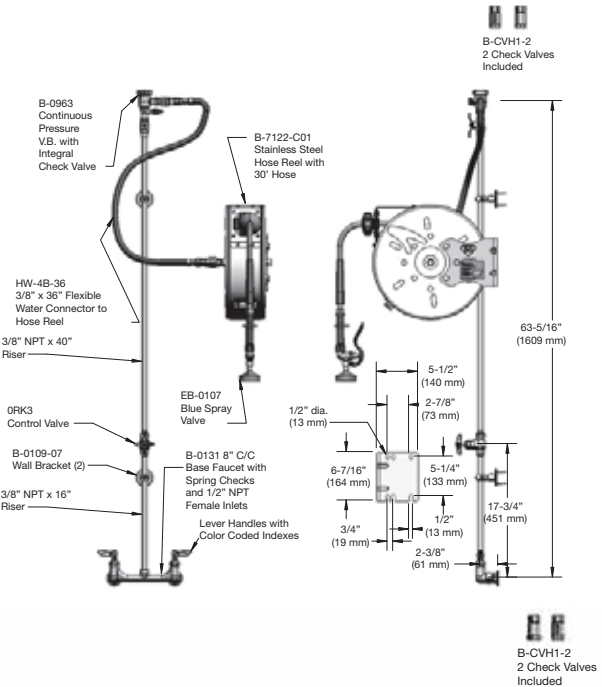
- All-in-one system with exposed piping and accessories
- Enclosed epoxy coated hose reel – B-7222-C01 with 30' hose
- B-0107 spray valve
- B-0963 continuous pressure vacuum breaker
- (002824-40) Single hole deck-mount faucet with spring checks and lever handles with color coded indexes
- Spreader body with optional 1/4" NPT tailpieces
- Shut-off control valve in riser (ORK3)
- Two (2) B-0109-07 wall brackets
- 3/8" NPT flexible water connector to hose reel (HW-4B-36)
- Shipped with all components needed for installation



### B-1458 Enclosed 30' Stainless Steel Hose Reel Assembly

NEW  
Hose Reel  
Assembly!

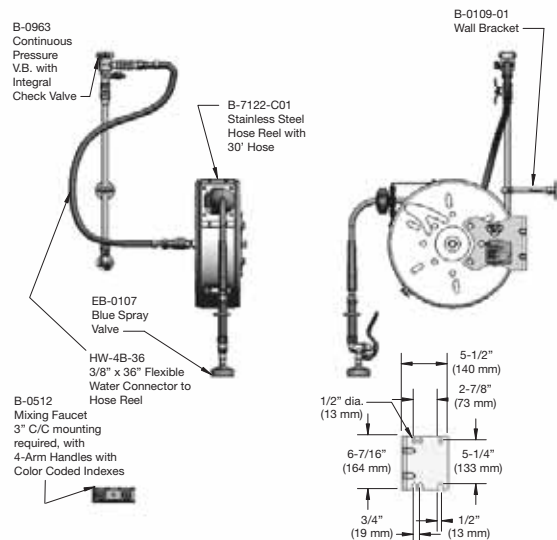
- All-in-one system with exposed piping and accessories
- Enclosed stainless steel hose reel – B-7122-C01 with 30' hose
- EB-0107 blue spray valve
- B-0963 continuous pressure vacuum breaker
- B-0131 8" wall-mount faucet with spring checks
- Shut-off control valve in riser (ORK3)
- Two (2) B-0109-07 wall brackets
- Flexible water connector to hose reel (HW-4B-36)
- Two (2) check valves (B-CVH1-2)
- Shipped with all components needed for installation



### B-1459 Enclosed 30' Stainless Steel Hose Reel Assembly

NEW  
Hose Reel  
Assembly!

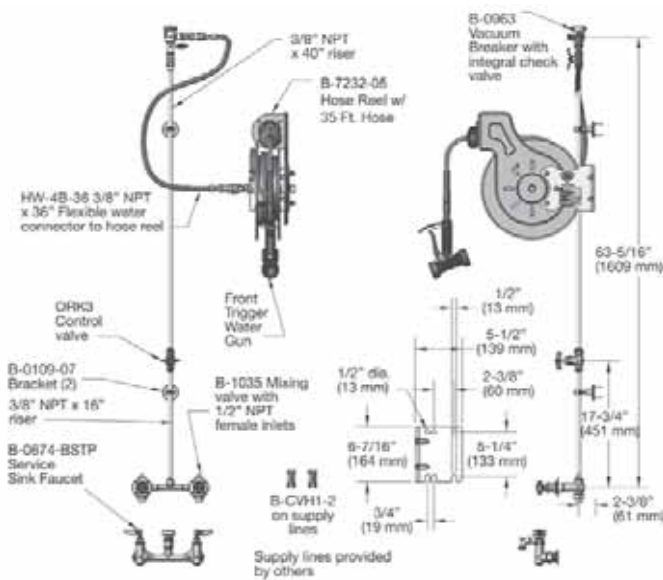
- All-in-one system with exposed piping and accessories
- Enclosed stainless steel hose reel – B-7122-C01 with 30' hose
- EB-0107 blue spray valve
- B-0963 continuous pressure vacuum breaker with integral check valve
- B-0512 wall mount mixing valve, 3" C/C
- B-0109-01 wall bracket
- Flexible water connector to hose reel (HW-4B-36)
- Two (2) check valves (B-CVH1-2)
- Shipped with all components needed for installation



## Complete Hose Reel Assemblies

### B-1454 Open Epoxy Coated Steel Hose Reel Assembly with 35' Hose

- All-in-one system with exposed piping and accessories
- Open hose reel (B-7232-05) with 35' hose and MV-2522 blue front trigger water gun
- Shut-off control valve (ORK3)
- 8" C/C wall-mounted service sink faucet (B-0674-BSTP)
- B-1035 concealed mixing valve with 1/2" NPT female inlets
- 3/8" NPT x 40" riser
- B-0963 continuous pressure type vacuum breaker with integral check valves (B-CVH1-2)
- Two (2) B-0109-07 wall brackets
- Shipped with all components needed for installation



## Suggested Configuration for T&S Hose Reels and Accessories

This illustration is a suggested hose reel configuration using T&S Hose Reel Accessories shown on pages E9 and E18-E22. These accessories allow you to design a hose reel assembly to meet any of your requirements.

All T&S accessories are made to our high-quality standards for ease of installation, minimum maintenance and long life. Order each part separately by the part number shown.

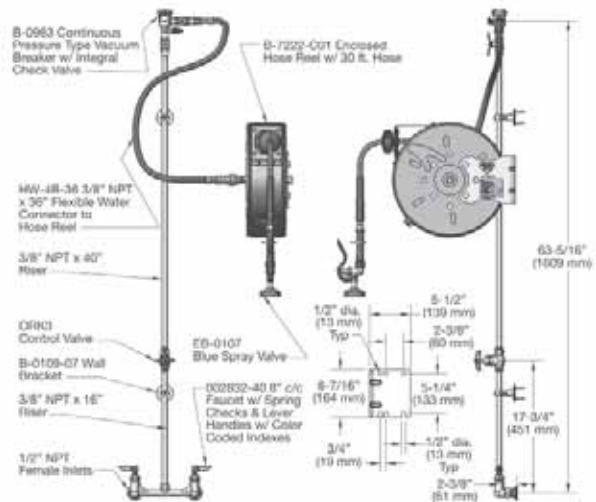
**Note:** The B-1433 is used here as an example; other models will vary slightly in their specifications.

## All-In-One Hose Reel Assemblies

### B-2339 Control Unit and Hose Reel Assembly

- Hose reel control unit with reel
- B-7222-C01 enclosed hose reel
- Stainless steel control box which includes all components – gauges, vacuum breaker, valves and connections
- Hose reel can be mounted on ceiling, wall or under the counter
- Allows total tamper-resistant control, convenient and compact
- 30' hose, 3/8" I.D.
- 3/8" NPT female inlet

**B-2339-02** Same as B-2339 except with MV-2522-24 water gun  
**B-2339-LR** Same as B-2339 except with only control unit, without B-7222-C01. Can be used with any T&S hose reel



## Heavy-Duty Water Guns

T&S heavy-duty water guns are designed for use on hose reels, washdown stations and general sanitizing operations in a broad variety of commercial and institutional applications.

### MV-2516 Series Rear Trigger Water Guns

- Heavy-duty stainless steel construction, designed for long life
- Adjustable stream from solid to soft spray
- Excellent for cleaning jobs
- Controls water supply easily and efficiently
- Automatic shut-off conserves water
- Rated up to 200 psi
- Blue rubber cover
- Various models available; see chart on p. E32



### MV-2522 Series Front Trigger Water Guns

- Heavy-duty stainless steel construction, designed for long life
- Adjustable stream from solid to soft spray
- Excellent for cleaning jobs
- Controls water supply easily and efficiently
- Automatic shut-off conserves water
- Rated up to 200 psi
- Blue rubber cover
- Various models available; see chart on p. E32



### MV-3516-25 Aluminum Rear Trigger Water Gun



- NEW!** Aluminum water gun with 5/16" flow orifice
- Blue rubber cover
  - Includes 1/2" NPT x 3/8" NPT female adapter (not shown)
  - Weighs 1/2 lb. less than MV-2516 and MV-2522 water guns
  - Variable spray patterns
  - Drip-free automatic shut-off

#### MV-2516 and MV-2522 Water Gun Replacement Parts:

- 014087-45** 5/16" and 7/16" Orifice, Rear Trigger Cartridge Asm.
- 014132-45** 9/16" Orifice, Rear Trigger Cartridge Assembly
- 014086-45** 5/16" and 7/16" Orifice, Front Trigger Cartridge Asm.
- 014131-45** 9/16" Orifice, Front Trigger Cartridge Assembly
- 014187-45** Blue Rubber Cover (used on both style guns)

**Note:** See page E32 for charts showing the configuration of T&S heavy-duty water gun models that are available.

#### MV-3516 Models and Kit:

- MV-3516-21** 1/2 NPT x 1/2" hose barb
- MV-3516-22** 1/2 NPT x 3/4" hose barb
- MV-3516-23** 1/2 NPT x 1" hose barb
- MV-3516-24** 1/2 NPT female inlet
- MV-3516-24-RK** MV-3516-24 repair kit

## Spray Valves / Repair Kits

### B-0107 Spray Valve

- 1.42 GPM at 60 PSI
- Connects directly to hose
- Designed for heavy use in industrial kitchens
- Shuts off when handle is released
- Add "-01M" suffix to hose reel model to specify this spray valve



### EB-0107 Spray Valve

- Blue spray valve
- 4.0+ GPM at 60 PSI flow
- Connects directly to hose
- Designed for heavy use in industrial kitchen settings
- Shuts off when handle is released
- Add "-01" suffix to hose reel model to specify this spray valve



### B-10K B-0107 Spray Valve Repair Kit

- |                             |                                     |
|-----------------------------|-------------------------------------|
| 2 (000895-45) Spring        | 2 (001040-45) Bonnet binding washer |
| 2 (000974-45) Bonnet washer | 2 (012915-45) Seat washer           |
| 2 (010476-45) Hose washer   | 1 (007861-45) Spray head ring       |
| 2 (001100-45) Packing stem  | 1 (000913-45) Spray face screw      |
| 2 (009306-20) Valve stem    | 1 (001121-45) Spray face            |

### EB-10K EB-0107 Spray Valve Repair Kit

- |                                       |                                    |
|---------------------------------------|------------------------------------|
| 4 (000974-45) Bonnet washer           | 1 (011475-45) Blue spray head ring |
| 2 (010476-45) Hose washer             | 1 (000913-45) Spray face screw     |
| 2 (001100-45) Packing stem            | 1 (011456-45) Blue spray face      |
| 2 (009306-20) Valve stem              | 2 (000895-45) Spring               |
| 2 (001040-45) Bonnet binding washer   |                                    |
| 2 (012915-45) Seat washer bonnet asy. |                                    |

Spray Valves / Repair Kits

**B-0108  
JeTSpray Valve**

- NEW!** Ergonomically designed spray valve for hose reels
- 1.48 GPM at 60 PSI
  - Requires adapter to connect to hose reel hose (016154-25)
  - Designed for heavy use in kitchens
  - Shuts off when handle is released
  - Add "-08M" suffix to hose reel model to specify this spray valve



**B-0108-H  
JeTSpray High Flow Spray Valve**

- NEW!** Ergonomically designed spray valve for hose reels
- 4.0 GPM at 60 PSI
  - Connects directly to T&S hose reel hose
  - Designed for heavy use in industrial settings
  - Provides high-pressure spray when handle is squeezed
  - Shuts off when handle is released
  - Add "-08H" suffix to hose reel model to specify this spray valve



**108V-RK  
B-0108 JeTSpray Valve Repair Kit**

- Kit includes:
- Spanner bit
  - End plug assembly
  - Silicon grease
  - Valve assembly
  - Compression spring
  - Individual items not sold separately



**108T-RK  
B-0108 JeTSpray Trigger Repair Kit**

- Kit includes:
- 6-32 x 3/8" screws (2)
  - Silicon grease
  - Spring trigger catch sub-assembly
  - Stainless steel trigger
  - Bushing (2)
  - Pivot pin assembly
  - Individual items not sold separately



**108SF-RK  
B-0108 JeTSpray Spray Face Repair Kit**

- Kit includes:
- Washer
  - EPAct 2005 compliant B-0108 spray face (1.48 GPM)
  - Individual items not sold separately



**108S-RK  
B-0108 JeTSpray Screen/Washer Repair Kit**

- Kit includes:
- Inlet filter
  - Tube of Loctite
  - Individual items not sold separately



**108HSF-RK  
B-0108-H JeTSpray High Flow Spray Face Repair Kit**

- Kit includes:
- Washer
  - Non-EPAct 2005 compliant B-0108-H high flow spray face (4.0 GPM)
  - Individual items not sold separately



## Shut-Off Valves / Vacuum Breakers

E  
20

### B-0512 Shut Off Control Valve

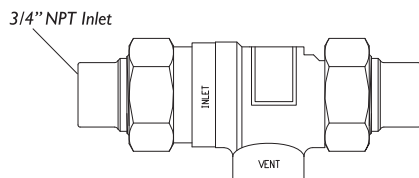
- Wall mounted
- 3/8" NPT inlets and outlet
- 3" C/C



**B-0513** same as B-0512 except with lever handles

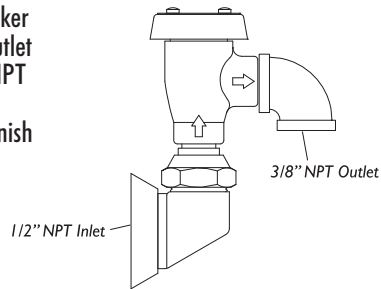
### B-0962 Continuous Pressure Vacuum Breaker Assembly

- 3/4" NPT female inlet
- Polished chrome plated finish



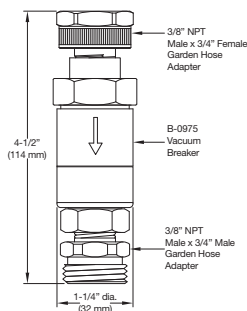
### B-0965 Atmospheric Vacuum Breaker Assembly

- Atmospheric vacuum breaker assembly with exposed outlet
- 1/2" NPT inlet and 3/8" NPT outlet
- Polished chrome plated finish



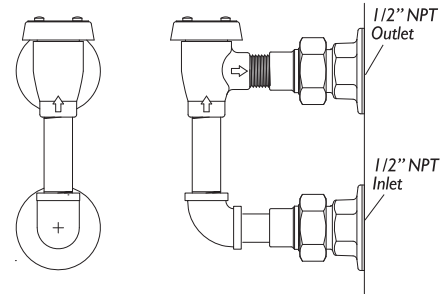
### B-0975-GH Vacuum Breaker Assembly

- 3/8" NPT male x 3/4" female garden hose adapter
- 3/8" male x 3/4" male garden hose adapter



### B-0929-A Atmospheric Vacuum Breaker Assembly

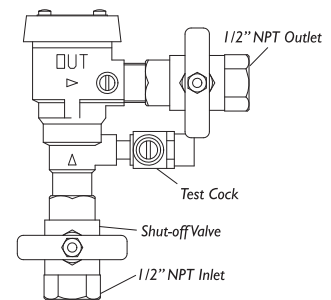
- 1/2" NPT female inlet and outlet
- Polished chrome plated finish



**B-0929** Same as B-0929-A except with 3/8" NPT inlet and outlet

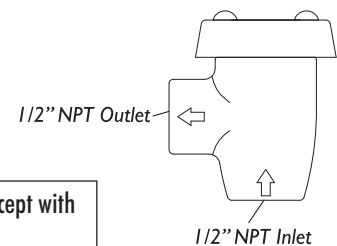
### B-0963 Continuous Pressure Vacuum Breaker Assembly

- Designed for continuous pressure
- Furnished with quarter-turn ball valves
- 1/2" NPT inlet and outlet
- 001359-40 adapters available for 3/8" NPT
- Order B-0963-RK repair kit (not shown)



### B-0969 Atmospheric Vacuum Breaker Assembly

- 1/2" NPT female inlet and outlet
- Polished chrome plated finish



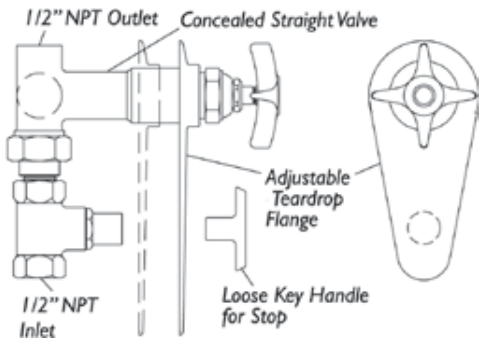
**B-0968** same as B-0969 except with 3/8" NPT inlet and outlet  
**B-0968-HA** B-0968 vacuum breaker hood assembly

## Shut-Off Valves / Vacuum Breakers

E  
21

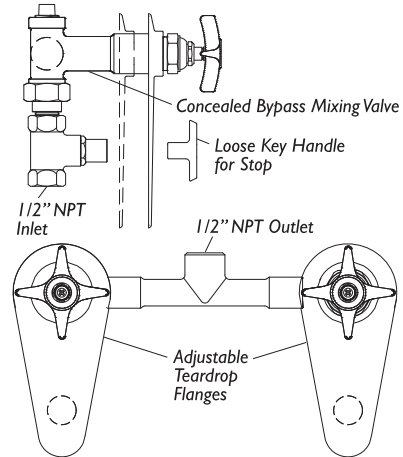
### B-1025-ST Concealed Straight Valve

- 1/2" NPT female inlet and outlet
- Integral loose key stop behind 6" (152 mm) teardrop flange



### B-1035-ST Concealed Bypass Mixing Valve

- 1/2" NPT female inlet and outlet
- Integral loose key stop behind 6" (152 mm) teardrop flanges
- 4-arm handles



## Hose Reel Kits / Replacement Parts

### Swivel Kits

| Part Number | Hose I.D. | Hose Length | PSI |
|-------------|-----------|-------------|-----|
| 014946-45   | 3/8"      | ALL         | 300 |

### Spring Assemblies

| Part Number | Hose I.D.     | Hose Length | PSI |
|-------------|---------------|-------------|-----|
| 014932-45   | 3/8" and 1/2" | 15'/30'/35' | 300 |
| 014934-45   | 3/8" and 1/2" | 50'         | 300 |

### Stainless Reels

|           |               |             |     |
|-----------|---------------|-------------|-----|
| 014933-45 | 3/8" and 1/2" | 15'/30'/35' | 300 |
| 014935-45 | 3/8" and 1/2" | 50'         | 300 |

### Hose Stop Kits

| Part Number | Hose I.D. | Hose Length | PSI |
|-------------|-----------|-------------|-----|
| 014949-45   | 3/8"      | ALL         | 300 |
| 014950-45*  | 1/2"      | ALL         | 300 |

### Ratchet Kit

| Part Number | Hose I.D.     | Hose Length | PSI |
|-------------|---------------|-------------|-----|
| 014940-45   | 3/8" and 1/2" | ALL         | 300 |

### Roller Kits

| Part Number | Hose I.D.     | Hose Length | PSI |
|-------------|---------------|-------------|-----|
| 014938-45   | 3/8" and 1/2" | 15'/35'/50' | 300 |

### Enclosed Small

|           |      |     |     |
|-----------|------|-----|-----|
| 014936-45 | 3/8" | 30' | 300 |
|-----------|------|-----|-----|

### Enclosed Large

|           |               |     |     |
|-----------|---------------|-----|-----|
| 014937-45 | 3/8" and 1/2" | 50' | 300 |
|-----------|---------------|-----|-----|

### Hose Kits

| Part Number | Hose I.D. | Hose Length | PSI |
|-------------|-----------|-------------|-----|
| 014944-45   | 3/8"      | 15'         | 300 |
| 014943-45   | 3/8"      | 30'         | 300 |
| 014941-45   | 3/8"      | 35'         | 300 |
| 014942-45   | 3/8"      | 50'         | 300 |
| 014945-45*  | 1/2"      | 50'         | 300 |

\* Availability is limited on 1/2" specific parts

### 'O'-Ring Kit

| Part Number | Hose I.D. | Hose Length | PSI |
|-------------|-----------|-------------|-----|
| 014948-45   | ALL       | ALL         | 300 |



## Valves, Outlets and Washdown Station

E  
22

### B-CVV1-2 Check Valve

- 1/2" vertical check valve
- Rough brass finish
- Chrome plated units available on request
- 1/2" IPS inlet and outlet
- Designed for water use only



#### Check Valves

B-CVH1-2 for horizontal or vertical use, 1/2" NPT female  
 B-CVH3-4 for horizontal or vertical use, 3/4" NPT female  
 Furnished in rough brass

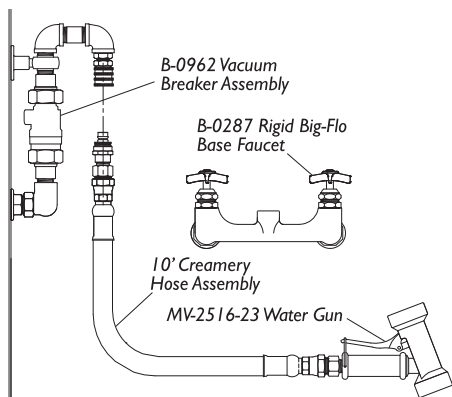
### 045A Reel Hose Repair Kit

- Includes coupling and nipple insert



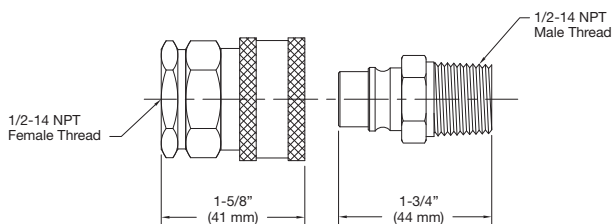
### B-0273 Washdown Station

- Rigid Big-Flo base faucet
- Furnished with check valves
- 3/8" NPT female inlet
- Continuous pressure vacuum breaker (B-0962)
- Quick-connect plug threaded onto 10' creamery hose
- Rear trigger water gun (MV-2516-23)



### B-0273-QD Washdown Quick-Disconnect

- Washdown quick-disconnect assembly
- Chrome plated
- Not rated for potable/drinking water



### ORK1 Mixing Valve

- Mixing valve with removable seats
- Loose key controls
- 1/2" NPT female inlets
- 4" (102 mm) centers
- Rough chrome finish
- 3/8" NPT female outlet between valves at opposite side of inlets
- Versatile design for use with vertical pipes (wall) or horizontal piping (ceiling or under sink)



Note: T&S check valves should be installed in lines leading to ORK1 mixing valve

### ORK2 Shut Off Control Valve

- Concealed body type
- 3/8" NPT inlet and outlet
- Rough brass body
- Polished chrome plated handle and escutcheon
- Designed for installation in line between mixing valve and hose reel

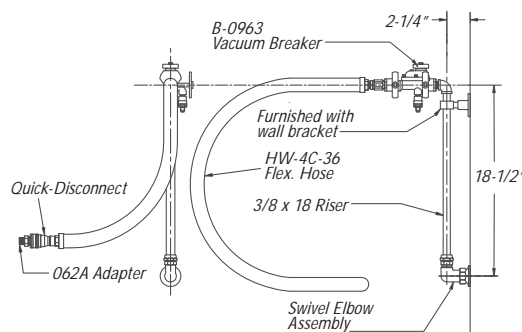


### ORK3 Shut Off Control Valve

- Exposed body type
- 3/8" NPT inlet and outlet
- Polished chrome plated finish
- Designed for installation on exposed piping between mixing valve and hose reel
- Unit is 1/2" when bushings are removed



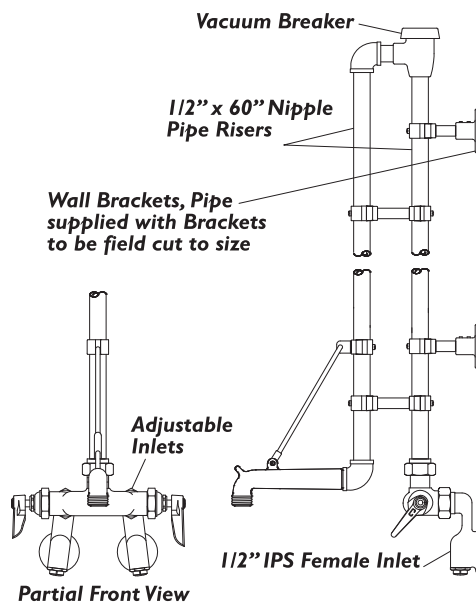
### ORK-SK Hose Reel Connector Kit



## Service Sink Faucets

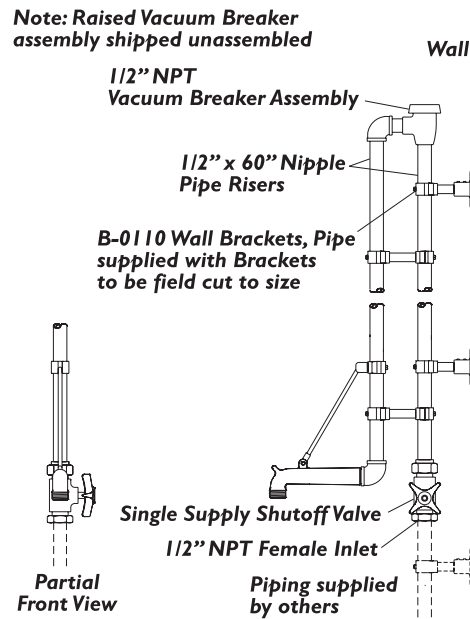
### B-0491-01 Service Sink Faucet with Elevated Vacuum Breaker

- 5' elevated atmospheric vacuum breaker
- 6" service sink spout with garden hose thread outlet
- Furnished with top spout brace and (2) B-0110 wall brackets
- 1/2" NPT female flanged adjustable inlets with screwdriver stop (00XX)



### B-0492-01 Service Sink Faucet with Elevated Vacuum Breaker

- Single temperature supply stop
- 5' elevated atmospheric vacuum breaker
- 6" service sink spout with garden hose thread outlet
- Furnished with top spout brace and (2) B-0110 wall brackets



### B-0650-BSTP Service Sink Faucet

- Built in screwdriver stops
- 8" (203 mm) centers
- 5-1/4" (133 mm) clearance wall to center line of faucet
- 12-1/4" (311 mm) from wall to center of outlet
- Polished chrome plated finish
- Bottom support wall brace
- 1/2" NPT female eccentric flanged inlets (00AA)

**B-0650-01** Same as B-0650-POL except with 6" wrist-action handles (B-WH6) and 00XX flanges, adjustable on a 2-1/2" radius, 9-5/16" (237 mm) from wall to center of outlet

**B-0650-BSTR** Same as B-0650-BSTP except with rough chrome plated finish

**B-0650-POL** Same as B-0650-BSTP except without built-in stops

**B-0650-RGH** Same as B-0650-BSTR except without built-in stops

**B-0650-02** Same as B-0650-01 except 15-3/4" (400 mm) from wall to center of outlet



Service Sink Faucets

**B-0651-POL**  
Service Sink Faucet

- 8" (203 mm) centers
- 5-1/4" (133 mm) clearance from wall to center line of faucet
- 12" (305 mm) from wall to center of outlet
- Polished chrome plated finish
- Bottom support wall brace
- Pail hook
- Plain end spout
- 1/2" NPT female inlets with loose key stops (OOJJ-XT)



**B-0651-06** Same as B-0651-POL except with 6" wrist-action handles (B-WH6)  
**B-0362** Same as B-0651-06 except with 3/4" garden hose threads and 15" (375 mm) from center of wall to outlet  
**B-0651-RGH** Same as B-0651-06 except with rough chrome plated finish

**B-0655-01**  
Service Sink Faucet

- 1/2" NPT female flanged adjustable inlet with screwdriver stops (OOXX)
- Inlets adjustable on a 2-1/2" radius
- 6" wrist-action handles (B-WH6)
- Vacuum breaker nozzle with 3/4" garden hose thread and pail hook
- Bottom support and wall brace



**B-0655-02** Same as B-0655-01 except 15-3/4" (400 mm) from wall to center of outlet  
**B-0652** Same as B-0655-02 except without garden hose threads and without vacuum breaker

**B-0655-BSTP**  
Service Sink Faucet

- Built-in screwdriver stops
- 8" (203 mm) centers adjustable from 7-3/4" (197 mm) to 8-1/4" (210 mm)
- 5-1/8" (130 mm) clearance from wall to center line of faucet
- 11-5/8" (295 mm) from wall to center of outlet
- Polished chrome plated finish
- Vacuum breaker nozzle with 3/4" garden hose thread and pail hook
- Bottom support wall brace
- Inlet extensions 5-1/8" from wall to center of faucet



**B-0655-BSTR** Same as B-0655-BSTP except with rough chrome plated finish  
**B-0655-POL** Same as B-0655-BSTP except without built in stops  
**B-0655-RGH** Same as B-0655-BSTR except without built in stops  
**B-0656-POL** Same as B-0655-BSTP except with integral stops (inlets not eccentric)  
**B-0656-RGH** Same as B-0655-BSTR except with integral stops (inlets not eccentric)

**B-0657**  
Service Sink Faucet

- 8" (203 mm) centers
- 5-1/8" (130 mm) clearance from wall to center line of faucet
- 11-5/8" (295 mm) from wall to center of outlet
- Polished chrome plated finish
- Vacuum breaker nozzle with 3/4" garden hose thread and pail hook
- 1/2" NPT female inlet with loose key stops (OOJJ)
- B-WH6 6" (152 mm) wrist-action handles
- Bottom support wall brace
- 1/2" NPT female inlets



**B-0657-01** Same as B-0657 except with top yolk style brace  
**B-0657-BST** Same as B-0657 except without OOJJ stops. Includes built in stops in body of faucet

Service Sink Faucets

**B-0660-POL**  
Service Sink Faucet

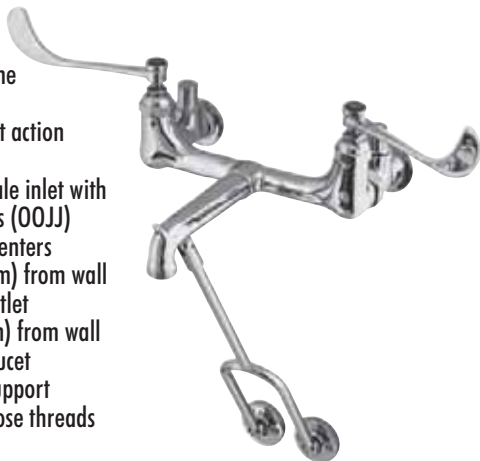
- 8" (203 mm) centers adjustable from 7-3/4" (197 mm) to 8-1/4" (210 mm)
- 9" (229 mm) from back of inlets to center of outlet
- Polished chrome plated finish
- Top support wall brace
- 2-3/8" (60 mm) from wall to center line of faucet
- 1/2" NPT female eccentric flanged inlets (OOAA)



**B-0660-BSTP** Same as B-0660-POL except with built in stops  
**B-0660-BSTR** Same as B-0660-BSTP except with rough chrome plated finish  
**B-0660-RGH** Same as B-0660-POL except with rough chrome plated finish  
**B-0661-POL** Same as B-0660-POL except with OOJJ stops 10" (254 mm) from wall to center of outlet  
**B-0661-RGH** Same as B-0661-POL except with rough chrome plated finish

**B-0664**  
Service Sink Faucet

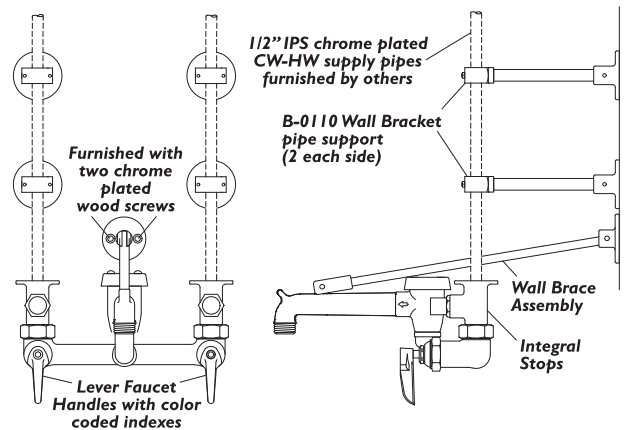
- Polished chrome plated finish
- B-WH6 6" wrist action handles
- 1/2" NPT female inlet with loose key stops (OOJJ)
- 8" (203 mm) centers
- 9-1/2" (241 mm) from wall to center of outlet
- 3-3/8" (86 mm) from wall to center of faucet
- Bottom wall support
- 3/4" garden hose threads and pail hook



**B-0664-01** Same as B-0664 except with plain end spout, and 15" (381 mm) from wall to outlet and 8-7/8" (225 mm) from wall to center of faucet  
**B-0664-02** Same as B-0664 except with plain end spout, and 11-1/4" (286 mm) from wall to outlet and 5-1/8" (130 mm) from wall to center of faucet

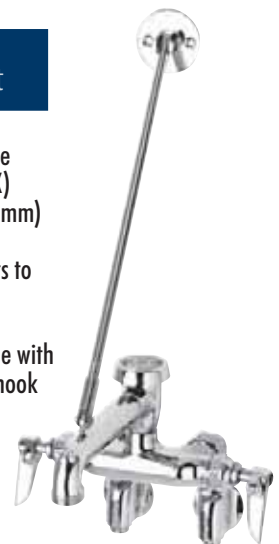
**B-0662**  
Service Sink Faucet with Ceiling Supply

- Polished chrome plated finish
- 8" (203 mm) centers
- OOJJ stops
- Wall brace assembly
- Lever faucet handles
- Vacuum breaker
- Wall braces designed for exposed ceiling supplies
- May be factory adjusted for floor supplies when specified



**B-0667-POL**  
Service Sink Faucet

- 1/2" NPT female flanged adjustable inlets with screwdriver stops (OOXX)
- Adjustable centers from 2-1/4" (57 mm) to 8-1/4" (210 mm)
- 9-1/2" (241 mm) from back of inlets to center of outlet
- Polished chrome plated finish
- Atmospheric vacuum breaker nozzle with 3/4" garden hose thread and pail hook
- Top support wall brace
- Includes spring checks



**B-0667-POLM** B-0667-POL Master Box (6)  
**B-0667-RGH** Same as B-0667-POL except with rough chrome plated finish  
**B-0667-RGHM** B-0667-RGH Master Box (6)  
**B-0667-RGHM24** B-0667-RGH Master Box (24)  
**B-0668-POL** Same as B-0667-POL except without integral stops in adjustable inlets  
**B-0668-RGH** Same as B-0667-RGH except without integral stops in adjustable inlets

## Service Sink Faucets

### B-0665-BSTP Service Sink Faucet

- Built in screwdriver stops
- 8" (203 mm) centers adjustable from 7-3/4" (197 mm) to 8-1/4" (210 mm)
- 2-3/8" (60 mm) clearance from wall to center line of faucet
- 8-7/8" (225 mm) from wall to center of outlet
- Polished chrome plated finish
- Vacuum breaker nozzle with 3/4" garden hose thread and pail hook
- Top support wall brace
- 1/2" NPT female inlet
- Includes spring checks



- B-0658** Same as B-0665-BSTP except with OOJJ stops, 9-7/8" (251 mm) from wall to center of outlet and B-WH6 6" (152 mm) wrist-action handles
- B-0665-BSTP-963** Same as B-0665-BSTP except with B-0963 vacuum breaker
- B-0665-BSTP-CVB** Same as B-0665-BSTP except with continuous vacuum breaker
- B-0665-BSTPM** B-0665-BSTP Master Box (6)
- B-0665-BSTPM24** B-0665-BSTP Master Box (24)
- B-0665-BSTR** Same as B-0665-BSTP except with rough chrome plated finish
- B-0665-BSTR-963** Same as B-0665-BSTR except with B-0963 vacuum breaker
- B-0665-BSTR-CVB** Same as B-0665-BSTR except with continuous vacuum breaker
- B-0665-BSTRM** B-0665-BSTR Master Box (6)
- B-0665-BSTRM12** B-0665-BSTR Master Box (12)
- B-0665-CR-BSTR** Same as B-0665-BSTR except with ceramic cartridges
- B-0665-POL** Same as B-0665-BSTP except without built-in stops
- B-0665-RGH** Same as B-0665-BSTR except without built-in stops
- B-0666-POL** Same as B-0665-POL except with integral stops 9-7/8" (251 mm) from wall to center of outlet, 3-7/8" (86 mm) from wall to center line of faucet
- B-0666-RGH** Same as B-0665-RGH except with integral stops 9-7/8" (251 mm) from back of inlets to center of outlet, 3-7/8" (86 mm) from wall to center line of faucet
- B-1958** Same as B-0658 except 11-5/8" (295 mm) from wall to center of outlet, 4-arm handles (175F)

### B-0669-POL Service Sink Faucet

- 1/2" NPT female flanged adjustable inlets with screwdriver stops (OOXX)
- Adjustable centers from 2-1/4" (57 mm) to 8-1/4" (210 mm)
- 5-1/2" (140 mm) from back of inlets to center of outlet
- Polished chrome plated finish
- Atmospheric vacuum breaker nozzle with 3/4" garden hose thread
- Includes spring checks



- B-0669-01** Same as B-0669-POL except with B-0673 spout
- B-0669-RGH** Same as B-0669-POL except with rough chrome plated finish
- B-0670-POL** Same as B-0669-POL except without integral stops in adjustable inlets
- B-0670-01** Same as B-0670-POL except with B-0673 spout
- B-0670-RGH** Same as B-0669-RGH except without integral stops in adjustable inlets

### B-0671-POL Service Sink Outlet

- 6-1/8" (156 mm) from back of inlets to center of out
- Polished chrome plated finish
- Nozzle has 3/4" garden hose thread and pail hook
- Top support wall brace
- 1/2" NPT female inlet

- B-0671-RGH** Same as B-0671-POL except with rough chrome plated finish



### B-0672-POL Service Sink Faucet

- 8" (203 mm) centers adjustable from 7-3/4" (197 mm) to 8-1/4" (210 mm)
- 4-5/16" (110 mm) from back of inlets to center of outlet
- Polished chrome plated finish
- Plain end spout with pail hook
- 1/2" NPT female eccentric flanged inlets (OOAA)



- B-0672-RGH** Same as B-0672-POL except with rough chrome plated finish
- B-0673-POL** Same as B-0672-POL – with 3/4" garden hose thread on nozzle
- B-0673-RGH** Same as B-0672-RGH – with 3/4" garden hose thread on nozzle

Service Sink Faucets

**B-0674-BSTP**  
Service Sink Faucet



- 8" (203 mm) centers adjustable from 7-3/4" (197 mm) to 8-1/4" (210 mm)
- 4-3/4" (121 mm) from wall to center of outlet
- Polished chrome plated finish
- Vacuum breaker nozzle with pail hook and 3/4" garden hose thread
- 1/2" NPT female eccentric flanged inlets (OOAA)
- Includes spring checks



- B-0674-BSTPM** B-0674-BSTP Master Box (6)  
**B-0674-BSTR** Same as B-0674-BSTP except with rough chrome plated finish  
**B-0674-BSTRM** B-0674-BSTR Master Box (6)  
**B-0674-CR-POL** Same as B-0674-POL except with ceramic cartridges  
**B-0674-POL** Same as B-0674-BSTP except without built-in stops  
**B-0659** Same as B-0674-POL except with 6" wrist-action handles (B-WH6)  
**B-0674-POLM** B-0674-POL Master Box (6)  
**B-0674-RGH** Same as B-0674-POL except with rough chrome plated finish  
**B-0674-RGHM** B-0674-RGH Master Box (6)  
**B-0674-RGHM24** B-0674-RGH Master Box (24)  
**B-0693-POL** Same as B-0674-POL except with garden hose outlet and 00JJ inlets with integral stops  
**B-2271** Same as B-0674-BSTP except with 3/4"-1 1/2" male garden hose outlet w/ quick-disconnect fitting, rough chrome finish  
**B-2271-CR** Same as B-2271 except with ceramic cartridges with check valves

**B-0695-ST**  
Service Sink Fitting

- Concealed bypass mixing valves on 8" (203 mm) centers
- 1/2" NPT pipe outlet
- Roughing 2-1/2" (64 mm) minimum to 3-1/2" (89 mm) maximum center of inlets to finished wall face
- Braced nozzle with 3/4" garden hose thread and pail hook
- Elevated vacuum breaker (B-0929-A)
- Loose key valves behind flanged outlets with 1/2" NPT female inlets and outlets



**B-0695** Same as B-0695 except without integral stops

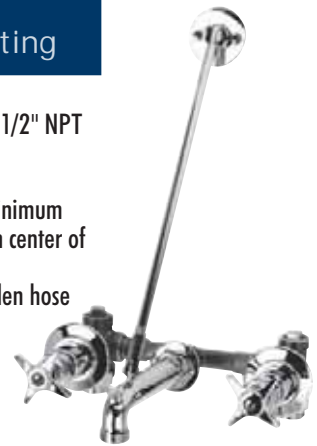
**B-0692**  
Service Sink Outlet

- Concealed loose key valve with 1/2" NPT female inlet (B-0127)
- Nozzle with 3/4" garden hose thread outlet
- Elevated vacuum breaker (B-0929-A)



**B-0697**  
Service Sink Fitting

- Concealed mixing valve with 1/2" NPT union inlet
- 8" (203 mm) centers
- Roughing 2-1/2" (64 mm) minimum to 3-3/4" (95 mm) maximum center of inlets to finished wall face
- Braced nozzle with 3/4" garden hose thread and pail hook
- 1/2" NPT female inlet



- B-0698** Same as B-0697 except with solder type union inlets for 5/8" (16 mm) O.D. copper tubing  
**B-0699** Same as B-0697 except with vacuum breaker nozzle  
**B-0699-ST** Same as B-0699 except with integral stops and teardrop flanges

**B-2480**  
Service Sink Faucet

- 1/2" NPT female inlets
- Rough chrome plated finish
- 8" (203 mm) centers adjustable from 7-3/4" (197 mm) to 8-1/4" (210 mm)
- 2-3/8" (60 mm) from wall to center of faucet
- 4-5/16" (110 mm) from wall to center of outlet
- 3/4" garden hose outlet and pail hook
- Four-arm handles (175F)



Accessories

E  
28

**B-0618-01**  
Reinforced PVC Hose

- Reinforced PVC hose
- 3' (914 m) long
- 3/4" garden hose inlet
- Plain outlet



**B-0618-02** Same as B-0618-01 except with 4' (1.2 m) hose  
**B-0618-03** Same as B-0618-01 except with 5' (1.5 m) hose

**B-0653**  
Mop Hanger

- Stainless steel mop hanger
- Three spring-loaded rubber grips
- 24" (610 mm) long x 3-3/4" (95 mm) wide



**B-0654**  
Stainless Steel Hose Bracket

- Stainless steel hose bracket
- Spring-loaded rubber grip
- 3' (914 mm) rubber hose (B-0618-01) with 3/4" garden hose inlet



Sill and Heavy-Duty Sink Faucets

**B-0700**  
Single Sink Faucet

- 1/2" NPT female inlet
- 3-7/8" (98 mm) from outlet to center of spout
- Four-arm handle (175F)



**B-0700-LT-CR-K** Same as B-0700 except with B-LT outlet, ceramic cartridge and inlet installation kit  
**B-0702** Same as B-0700 except with 3/4" garden hose outlet

**B-0706**  
Self-Closing, Single Sink Faucet

- 1/2" NPT female inlet
- 3-7/8" (98 mm) wall to center of spout
- Four-arm handle (061L)
- Quick self-closing valve



**B-0707** Same as B-0706 except with 3/4" garden hose outlet

**B-0715**  
Single Sink Faucet

- 1/2" NPT male inlet
- Adjustable flange
- 6" (152 mm) inlet to center of outlet
- Lever handle (177F)
- Plain outlet



**B-0716** Same as B-0715 except with four arm handle (175F)

**B-0703**  
Single Sink Faucet

- 1/2" NPT male inlet
- 3-1/2" (89 mm) wall to center of spout
- Four-arm handle (175F)



**B-0704** Same as B-0703 except with 3/4" garden hose outlet

**B-0708**  
Self-closing, Single Sink Faucet

- 1/2" NPT male inlet
- 3-1/2" (89 mm) wall to center of spout
- Four-arm handle (061L)
- Quick self-closing valve



**B-0709** Same as B-0708 except with 3/4" garden hose outlet  
**B-0709-JJ** Same as B-0709 except with JJ union coupling inlet with loose key stop

**B-0717**  
Single Sink Faucet

- 1/2" NPT male inlet
- Adjustable flange
- 5" (127 mm) from inlet to center of outlet
- Lever handle (177F)
- 3/4" garden hose outlet



**B-0718** Same as B-0717 except with four arm handle (175F)

## Sill and Heavy-Duty Sink Faucets

### B-0720 Sill Faucet with Vacuum Breaker

- 1/2" NPT female flanged inlet
- Key (001802-45) or screwdriver controlled handle
- Atmospheric vacuum breaker
- 3/4" garden hose outlet
- Polished chrome plated finish



**B-0720-RGH** Same as B-0720 except with rough chrome plated finish  
**B-2301** Same as B-0720 except with four arm handle (175F)

### B-0710 Single Basin Faucet

- 1/2" NPS male shank
- 4-1/8" (105 mm) from center of faucet to center of spout
- Four-arm handle (175F)
- B-0109-01 aerator
- 10° angle on aerator



**B-0710-01** Same as B-0710 except with alpine handle (076F)  
**B-0710-WS** Same as B-0710 except with low-flow aerator (1.5 GPM)  
**B-0711** Same as B-0710 except with quick self-closing valve, four arm handle (061L)

### B-0712-PA Pivot Action Metering Valve



- Pivot action metering valve with cap
- 1/2" NPS male shank
- Supplied with nut and tailpiece for optional 1/4" NPT connection
- 4-1/8" (105 mm) center of faucet to center of spout
- Spout 1-1/4" (31 mm) above deck
- Vandal resistant
- 10° angle on aerator



**B-0712-01** Same as B-0712 except with 4" wrist-action metering cartridge assembly  
**B-0713** Same as B-0712 except with push-button metering and B-0199-08 aerator  
**B-0712-01VRS** Same as B-0712 except with lever handle and vandal resistant handle index

### B-0730 Sill Faucet

- 1/2" NPT female flanged inlet
- Key (001802-45) or screwdriver controlled handle
- 3/4" garden hose outlet
- Rough chrome plated finish



**B-0730-POL** Same as B-0730 except with polished chrome plated finish

**B-0731-POL** Same as B-0730-POL except with 3/4" female inlet

### B-0736 Sill Faucet with Vacuum Breaker

- 1/2" NPT female flanged inlet
- Key (001802-45) or screwdriver controlled handle
- Removable vacuum breaker
- 3/4" garden hose outlet
- Polished chrome plated finish



**B-0737** Same as B-0736-POL except with 3/4" female inlet

**B-0737-POL** Same as B-0736-RGH except with 3/4" female inlet

### B-2460 Single Basin Faucet

- 1/2" NPS male shank
- 4-1/8" (105 mm) from center of faucet to center of spout
- 4" wrist-action ceramic cartridge assembly
- Anti-rotation cover plate
- 10° angle on aerator



### B-2490-PA Pivot Action Metering Valve



- Slow self-closing pivot action metering valve with cap
- 4" (102 mm) from center of faucet to center of spout
- Single hole with 4" spreader unit
- Supplied with nut and tailpiece for optional 1/4" NPT connection



## Single Temperature Valves and Washdown Stations

E  
30

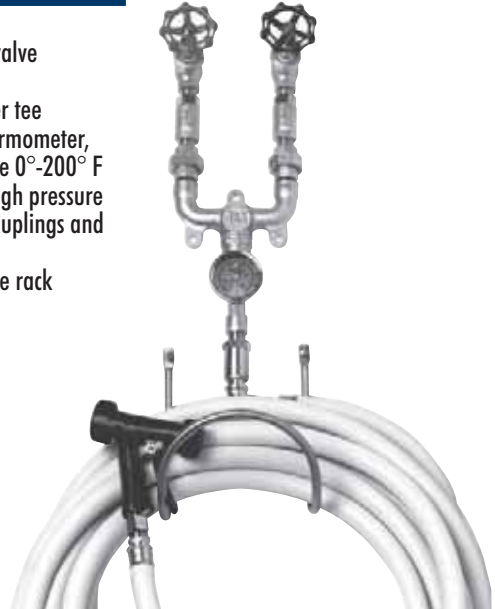
### MV-0771-12C Mixing Valve

- Cast bronze valve
- Renewable disc
- Nickel alloy seats
- Two integral check valves
- 3/4" cast bronze unions
- 3/4" mixing valve



### MV-0771-12CW Mixing Valve

- MV-0771 mixing valve
- Water gun
- Brass thermometer tee
- Stainless steel thermometer, temperature range 0°-200° F
- 50 ft. (15.25 m) high pressure hose with brass couplings and swivel fittings
- Stainless steel hose rack



### MV-0771-12R Water Mixing Station

- Hot and cold mixing valve enclosed in recessed cabinet

**Note:** all available with a 1/2" valve (MV-0771-11R)



| Model No.    | Size Valve (inches) |
|--------------|---------------------|
| MV-0771-11CW | 1/2"                |
| MV-0771-11NW | 1/2"                |
| MV-0771-12CW | 3/4"                |
| MV-0771-12NW | 3/4"                |
| MV-0771-12-R | 3/4"                |

### MV-1907-12C Cast Bronze Valve

- 3/4" NPT inlet and outlet
- cast bronze globe valve with renewable disc and nickel alloy seat
- Two B-0109-01 wall brackets, adjustable from 2" to 6" from wall
- Supply piping furnished by others



| Model No.  | Size Valve (inches) |
|------------|---------------------|
| MV-1907-11 | 1/2"                |
| MV-1907-12 | 3/4"                |

**Note:** furnished in chrome or natural finish. Add suffix "C" or "N" to part number.

## Single Temperature Valves and Washdown Stations

### MV-1907-12CW Single Temperature Valve

- MV-1907 valve
- Water gun
- 50 ft. (15.2 m) 3/4" heavy duty hose
- Brass swivel connector for water gun
- Brass thermometer tee
- Stainless steel thermometer, temperature range 0°-200° F
- Stainless steel hose rack
- Chrome finish

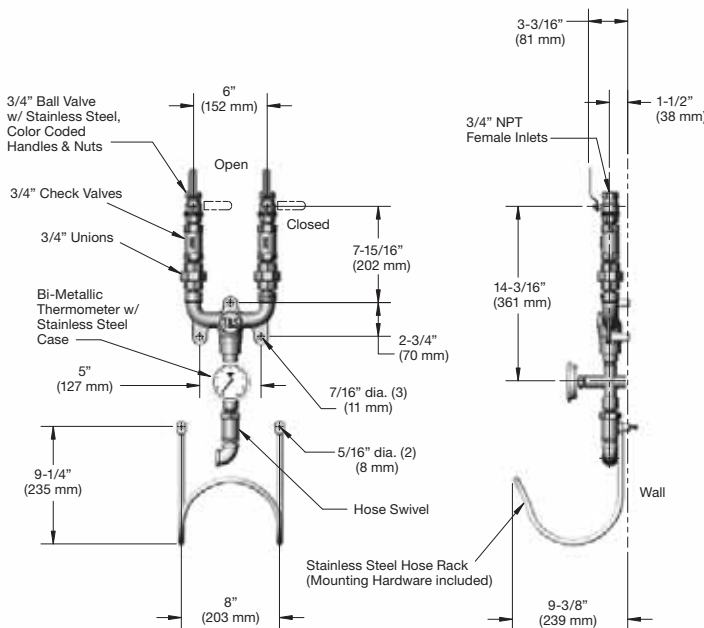
| Model No.    | Size Valve (inches) |
|--------------|---------------------|
| MV-1907-11CW | 1/2"                |
| MV-1907-12CW | 3/4"                |

**MV-1907-11CW-ER** Same as MV-1907-11CW except with 10' hose and water gun



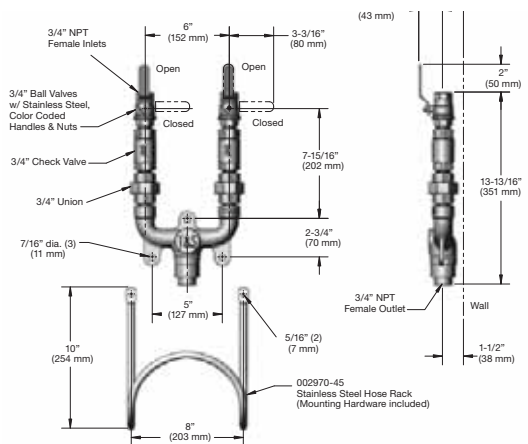
### MV-0771-12N-BVT Washdown Station

- 3/4" NPT natural finish washdown station
- (2) 3/4" ball valves (hot and cold) with stainless steel, color coded handles and nuts
- (2) 3/4" check valves
- Thermometer tee
- Hose swivel
- Stainless steel hose rack with mounting hardware



### MV-0771-12N-BV Washdown Station

- 3/4" NPT mixing valve
- (2) 3/4" ball valves (hot and cold) with stainless steel, color coded handles and nuts
- (2) 3/4" check valves
- Stainless steel hose rack with mounting hardware
- 3/4" NPT outlet



## Heavy-Duty Water Guns

T&S heavy-duty water guns are designed for washdown stations and general sanitizing operations in a broad variety of commercial and institutional applications.

### MV-2516 Series Rear Trigger Water Guns

- Heavy-duty stainless steel construction, designed for long life
- Adjustable stream from solid to soft spray
- Excellent for cleaning jobs
- Controls water supply easily and efficiently
- Automatic shut-off conserves water
- Rated up to 200 psi
- Blue rubber cover



### MV-2522 Series Front Trigger Water Guns

- Heavy-duty stainless steel construction, designed for long life
- Adjustable stream from solid to soft spray
- Excellent for cleaning jobs
- Controls water supply easily and efficiently
- Automatic shut-off conserves water
- Rated up to 200 psi
- Blue rubber cover



#### T&S Water Gun Replacement Parts:

- 014087-45** 5/16" and 7/16" Orifice, Rear Trigger Cartridge Assembly
- 014132-45** 9/16" Orifice, Rear Trigger Cartridge Assembly
- 014086-45** 5/16" and 7/16" Orifice, Front Trigger Cartridge Assembly
- 014131-45** 9/16" Orifice, Front Trigger Cartridge Assembly
- 014187-45** Blue Rubber Cover (used on both style guns)

### MV-3516-25 Aluminum Rear Trigger Water Gun

- NEW!** Aluminum water gun with 5/16" flow orifice
- Blue rubber cover
  - Includes 1/2" NPT x 3/8" NPT female adapter (not shown)
  - Weighs 1/2 lb. less than MV-2516 and MV-2522
  - Variable spray patterns
  - Drip-free automatic shut-off



See chart on page E18 for various models available

### EB-2322 Spray Valve, Extension Unit

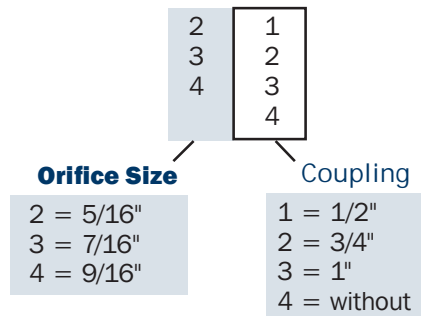
- Spray valve (EB-0107) with self-closing squeeze valve and extension for 21-3/4" (552 mm) total length
- 3/8" NPT female inlet
- Blue grip handle with hold-down ring
- Removable spray head



Caution: these Water Guns are not designed for use on steam lines

## B-2516 Series Rear Trigger Water Guns

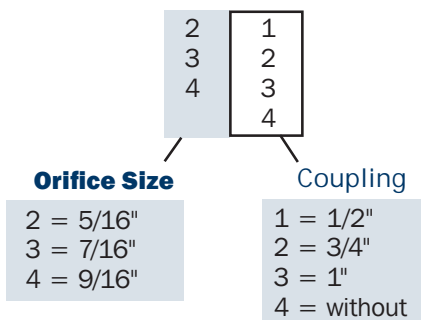
Model: MV-2516- \_\_\_\_



| Model           | Orifice Size | Coupling |
|-----------------|--------------|----------|
| <b>MV-2516-</b> |              |          |
| -21             | 5/16"        | 1/2"     |
| -22             | 5/16"        | 3/4"     |
| -23             | 5/16"        | 1"       |
| -24             | 5/16"        | w/out    |
| -31             | 7/16"        | 1/2"     |
| -32             | 7/16"        | 3/4"     |
| -33             | 7/16"        | 1"       |
| -34             | 7/16"        | w/out    |
| -41             | 9/16"        | 1/2"     |
| -42             | 9/16"        | 3/4"     |
| -43             | 9/16"        | 1"       |
| -44             | 9/16"        | w/out    |

## B-2522 Series Front Trigger Water Guns

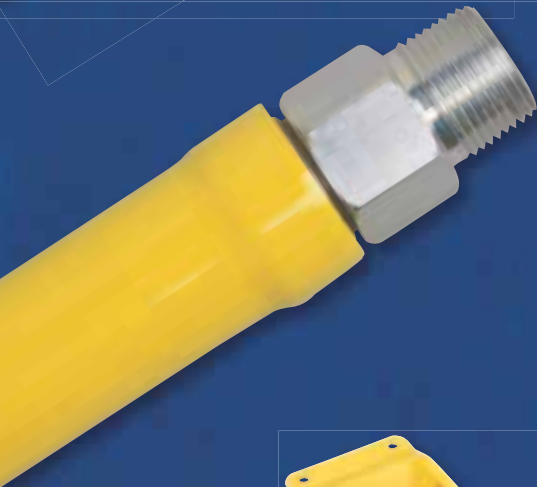
Model: MV-2522- \_\_\_\_



| Model           | Orifice Size | Coupling |
|-----------------|--------------|----------|
| <b>MV-2522-</b> |              |          |
| -21             | 5/16"        | 1/2"     |
| -22             | 5/16"        | 3/4"     |
| -23             | 5/16"        | 1"       |
| -24             | 5/16"        | w/out    |
| -31             | 7/16"        | 1/2"     |
| -32             | 7/16"        | 3/4"     |
| -33             | 7/16"        | 1"       |
| -34             | 7/16"        | w/out    |
| -41             | 9/16"        | 1/2"     |
| -42             | 9/16"        | 3/4"     |
| -43             | 9/16"        | 1"       |
| -44             | 9/16"        | w/out    |

F

## Safe-T-Link Appliance Connectors



RELIABILITY BUILT IN™







RELIABILITY BUILT IN™

# SAFET-LINK

## More Reasons Than Ever To Connect With T&S

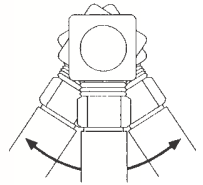
### SwiveLink Performance Advantages

- Provides a consistent, stress-free torque-free swivel motion
- Eliminates kinking, allowing entire connector length to be used
- Optimal wall clearance. Castered appliances come out further to facilitate clean up, installation and maintenance, and may be pushed closer to the wall without connector interference
- Allows restraining devices to be set to engage just before the connector is fully extended
- Minimum folded length
- No lock-up during use
- Allows for full gas flow
- Double sealed, and machined from steel and brass for strength
- Available factory-attached on Safe-T-Link gas connector hoses, or as separate accessories for appliance and/or gas line attachment
- In popular sizes: 1/2" to 1-1/4"



A True Gas Connector Swivel

Our patented SwiveLink can't lock up and meets ANSI Z21.69 for B.T.U. capacity, where gasoline swivels are limiting



Usable length of hose with SwiveLink



Usable length of hose WITHOUT SwiveLink



### FreeSpin Performance Advantages

- 360° rotatable hex nut rotates completely and freely, even when tight. No more twisted hoses!
- Optimum torsional relief improves safety, increases connector life
- No more struggling with multiple fitting pieces and extra threads
- No more turning hoses to tighten fittings
- Provides efficient, full gas flow in every size
- Tapered fittings provide a tighter fit than traditional flared fittings
- Simple, easy to install
- Standard on both ends of every Safe-T-Link gas connector hose
- Available in sizes 1/2" through 1-1/4"

LIMITED  
**5**  
YEAR  
WARRANTY



### NEW! POSI-SET™ Wheel Placement System

- Wheel placement system for moveable cooking equipment
- Designed for the positive placement of moveable gas equipment
- Ensures proper relocation of equipment after moving, cleaning or repairs
- Made of flame retardant thermoplastic resin
- Virtually indestructible
- Includes mounting hardware for proper installation
- Designed to meet the requirements of NFPA 17A 5.6.4 2009 Edition
- Patent No. US 7,581,623



See page F7 - F8 for more POSI-SET™ information

## Safe-T-Link SwiveLink

(optional, gas only)

Specify the new **SwiveLink** swivel, the ultimate connector accessory, and you gain increased mobility and critical space savings over fixed-end products. For the first time, let SwiveLink connect you to the ultimate convenience of utilizing 100% of the connector's overall length.



## Safe-T-Link FreeSpin

(standard, gas only)

With the new **FreeSpin** feature, you hook up with the most technically advanced end fitting available in the industry. These "live" ends – standard on both ends of the T&S Safe-T-Link gas connectors – provide a constant 360° rotation for reducing stress while extending connector life. Plus, the entire fitting design helps increase operational safety.



## Quick-Disconnect Advantages

- For use when you need a Quick-disconnect located at the **back of the appliance**
- Quick-disconnect socket acts as shut-off valve when the plug and socket are disconnected
- High quality construction
- CSA approval
- Easy operation



## Reversed Quick-Disconnect Advantages

- For use when you need a Quick-disconnect located at the **wall**
- Quick-disconnect socket acts as shut-off valve when the plug and socket are disconnected
- High quality construction
- CSA approval
- Easy operation



## Welded Fittings

A gas connector is only as good as its weakest link. Trust our welded fittings to remain gas-tight long after a competitor's crimped assembly begins to loosen.

## Extruded Coating

Strong does not have to mean less flexible. Our extruded coating stays out of the braid and keeps a constant wall thickness, providing strength and flexibility. Dipped coatings invade the stainless steel braid and stress the wires while reducing flexibility.

## Safest Stainless Braid

Stainless braids protect the thin inner hose from pressure and stress. Trust our tight braid pattern to prevent punctures or dents more than a gapped braid.



Hot and cold water appliance connectors are also available

## Gas Appliance Connectors

- Welded fittings
- Extruded coating
- Stainless braid

### HG-2 Series with FreeSpin Fittings

- FreeSpin rotating gas fittings on both ends, male to male
- Welded fitting connections
- Safe stainless braid
- Extruded coating
- 1/2 PSI max. gas pressure



### HG-2-S Series with SwiveLink Fittings

Add an "S" to include SwiveLink swivels at both ends

- Maximum clearance from wall
- Minimum folded length
- Stress-free and torque-free motion
- No lock-up position
- 1/2 PSI max. gas pressure



### HG-4 Series with Quick-Disconnect End

- Quick-disconnect one end, FreeSpin rotating gas fitting other end
- Welded fitting connections
- Safe stainless braid
- Extruded coating
- 1/2 PSI max. gas pressure



### HG-4-S Series with Quick-Disconnect and SwiveLink Ends

Add an "S" to include SwiveLink swivels at both ends

- Maximum clearance from wall
- Minimum folded length
- Stress-free and torque-free motion
- No lock-up position
- 1/2 PSI max. gas pressure



### HG-6 Series Reversed Quick-Disconnect

- Male to quick-disconnect plug (reversed quick-disconnect) one end, FreeSpin rotating gas fitting other end
- Welded fittings
- Extruded coating
- Stainless steel braid hose
- 1/2 PSI max. gas pressure



### HG-S Series Stationary Appliance Gas Connectors

- Stainless steel stationary appliance gas connector
- Available in 3/4" thread
- 36" to 48" length
- 1/2 PSI max. gas pressure



## Gas Hose Fittings

### FreeSpin Fittings

- Standard on both gas hose ends
- Freely rotates 360° even when tight, ending twisted hoses
- Tapered fittings for tighter fit
- Hose does not have to turn to tighten fittings
- Available in sizes 1/2" through 1-1/4"
- 1/2 PSI max. gas pressure



### SwiveLink Fittings

- Provides the most reach with the shortest hose
- Reduces stress on the hose, eliminating kinking
- Keeps gas flow unrestricted
- Patented design; can't lock up
- Meets ANSI Z21.69 for B.T.U. capacity
- Available in sizes 1/2" through 1-1/4"
- 1/2 PSI max. gas pressure





## Gas Appliance Connectors – Specifications

### Specifying An HG-2 and HG-4 Gas Appliance Connector

F  
6

HG - \_\_\_\_\_ - \_\_\_\_\_

| Hose Design              | Order |
|--------------------------|-------|
| Male to Male             | 2     |
| Male to Quick-Disconnect | 4     |

| Internal Thread and Diameter | Order |
|------------------------------|-------|
| 1/2" N.P.T.                  | C     |
| 3/4" N.P.T.                  | D     |
| 1" N.P.T.                    | E     |
| 1-1/4" N.P.T.                | F     |

| Length | Order |
|--------|-------|
| 24"    | 24    |
| 36"    | 36    |
| 48"    | 48    |
| 60"    | 60    |
| 72"    | 72    |

| Suffixes  | Order |
|---|-------|
| SwiveLink<br>Add SwiveLink fitting to both ends of the hose assembly                              | S*    |
| Installation Kit<br>Includes everything necessary for an installation                             | K*    |
| POSI-SET™ NEW!<br>Includes one pair POSI-SET (Wheel Placement System for Moveable Cooking Equip.) | PS**  |

Example:  
Gas hose and Installation Kit with Quick-Disconnect, 3/4" N.P.T. and 48" long with SwiveLink fittings:

**HG – 4D – 48SK**

\* You may add an "S" and/or "K" suffix to your order  
\*\* Models -2C, -2D, -4C, -4D and -4E only



HG-2



HG-2S



HG-4



HG-4S

### Specifying An HG-6 Gas Appliance Connector

HG-6 \_\_\_\_\_ - \_\_\_\_\_

| Thread and Diameter | Order |
|---------------------|-------|
| 1/2" N.P.T.         | C     |
| 3/4" N.P.T.         | D     |
| 1" N.P.T.           | E     |
| 1-1/4" N.P.T.       | F     |

| Hose Length | Order |
|-------------|-------|
| 24"         | 24    |
| 36"         | 36    |
| 48"         | 48    |
| 60"         | 60    |
| 72"         | 72    |

Example:  
Gas hose with Reverse Quick-Disconnect, 3/4" N.P.T., 48" long:

**HG – 6D – 48**



HG-6

### Specifying A Stationary Appliance Connector

HG-S \_\_\_\_\_ - \_\_\_\_\_

| Thread and Diameter | Order |
|---------------------|-------|
| 3/4"                | D     |

| Hose Length | Order |
|-------------|-------|
| 36"         | 36    |
| 48"         | 48    |

Example:  
Stationary gas hose, 3/4" diameter, 48" long:

**HG – SD – 48**



HG-S

## Gas Appliance Installation Kit

### Gas Hose with Installation Kit

Add a "K" suffix to hose model number (see p. F7) to include all necessary pieces to install a gas appliance.

- Each kit includes:
- One 90° street elbow
  - One CSA-certified foodservice gas ball valve
  - One SureLink restraining cable, adjustable from 3' to 5' lengths (#010625-45)
  - All necessary hardware



### K Model Installation Kit

Order with these model numbers when you only want the kit:

|                       |       |
|-----------------------|-------|
| Kit with 1/2" Elbow   | AG-KC |
| Kit with 3/4" Elbow   | AG-KD |
| Kit with 1" Elbow     | AG-KE |
| Kit with 1-1/4" Elbow | AG-KF |
| 5' cable w/ hardware  | AG-RC |

## Gas Appliance Parts, Components and Accessories

### Quick-Disconnect

|        |       |
|--------|-------|
| 1/2"   | AG-5C |
| 3/4"   | AG-5D |
| 1"     | AG-5E |
| 1-1/4" | AG-5F |



### SwiveLink

|        |       |
|--------|-------|
| 1/2"   | AG-6C |
| 3/4"   | AG-6D |
| 1"     | AG-6E |
| 1-1/4" | AG-6F |



### Elbows\*

- All Elbows are in compliance with ASTM standards

#### Female-Male Street El

|      |          |
|------|----------|
| 1/2" | AG-8C-MF |
| 3/4" | AG-8D-MF |
| 1"   | AG-8E-MF |

#### Female-Female Elbow

|      |          |
|------|----------|
| 3/4" | AG-8D-FF |
|------|----------|



\* Use of Street Els not recommended in Canada

### Gas Ball Valve

|      |       |
|------|-------|
| 3/4" | AG-7D |
|------|-------|



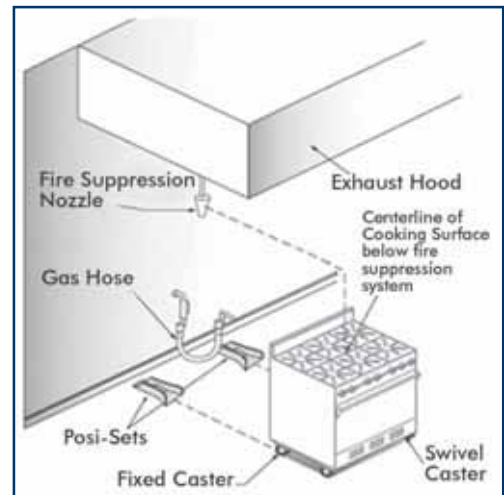
### POSI-SET™ Wheel Placement System

- Wheel placement system for moveable cooking equipment
- Designed for the positive placement of moveable gas equipment
- Ensures proper relocation of equipment after moving, cleaning or repairs
- Made of flame retardant thermoplastic resin
- Virtually indestructible
- Includes mounting hardware for proper installation
- Designed to meet the requirements of NFPA 17A 5.6.4 2009 Edition
- Patent No. US 7,581,623



NEW POSI-SET Models!

See Page F8 For NEW POSI-SET™ GAS HOSE MODELS!



## Safe-T-Link Gas Appliance Hoses and POSI-SET™ Models

- POSI-SET is also available bundled together with our most popular Safe-T-Link Gas Hose models
- Refer to the list at right for model number
- One pair of POSI-Set included with each gas hose model
- Add "-PS" to hose model



|             |               |                |
|-------------|---------------|----------------|
| HG-2C-36-PS | HG-4C-48K-PS  | HG-4D-48S-PS   |
| HG-2C-48-PS | HG-4C-48SK-PS | HG-4D-48SEL-PS |
| HG-2C-60-PS | HG-4D-24-PS   | HG-4D-48SK-PS  |
| HG-2D-24-PS | HG-4D-36-PS   | HG-4D-60-PS    |
| HG-2D-36-PS | HG-4D-36K-PS  | HG-4D-60S-PS   |
| HG-2D-48-PS | HG-4D-36SK-PS | HG-4D-60SK-PS  |
| HG-2D-60-PS | HG-4D-48-PS   | HG-4E-48K-PS   |
| HG-4C-48-PS | HG-4D-48K-PS  | HG-4E-48SK-PS  |

F  
8

### Gas Appliance Connectors Capacity

Maximum B.T.U. Capacity (in thousandths)

|      |          | 24"  | 36" | 48" | 60" | 72" |
|------|----------|------|-----|-----|-----|-----|
| HG-2 | C=1/2"   | 150  | 125 | 106 | 95  | 86  |
|      | D=3/4"   | 291  | 250 | 215 | 200 | 174 |
|      | E=1"     | 582  | 515 | 443 | 395 | 348 |
|      | F=1-1/4" | 1075 | 945 | 818 | 735 | 634 |

|        |          | 24"  | 36" | 48" | 60" | 72" |
|--------|----------|------|-----|-----|-----|-----|
| HG-2-S | C=1/2"   | 129  | 111 | 97  | 90  | 84  |
|        | D=3/4"   | 291  | 250 | 215 | 200 | 174 |
|        | E=1"     | 582  | 515 | 443 | 395 | 348 |
|        | F=1-1/4" | 1042 | 926 | 809 | 735 | 634 |

|        |          | 24" | 36" | 48" | 60" | 72" |
|--------|----------|-----|-----|-----|-----|-----|
| HG-4   | C=1/2"   | 85  | 75  | 70  | 65  | 55  |
|        | D=3/4"   | 235 | 220 | 180 | 160 | 140 |
| HG-4-S | E=1"     | 420 | 380 | 335 | 290 | 280 |
|        | F=1-1/4" | 700 | 620 | 540 | 475 | 420 |

|      |          | 24" | 36" | 48" | 60" | 72" |
|------|----------|-----|-----|-----|-----|-----|
| HG-6 | C=1/2"   | 85  | 75  | 70  | 65  | 55  |
|      | D=3/4"   | 235 | 220 | 180 | 160 | 140 |
|      | E=1"     | 420 | 380 | 335 | 290 | 280 |
|      | F=1-1/4" | 700 | 620 | 540 | 475 | 420 |

### Stationary Appliance Connectors Capacity

Minimum B.T.U. Capacity (in thousandths)

|      |        | 36" | 48" |
|------|--------|-----|-----|
| HG-S | D=3/4" | 128 | 106 |

## SwiveLink Installation Instructions

Specify the T&S SwiveLink swivel, the ultimate connector accessory, and you gain increased mobility and critical space savings over fixed-end products.

For the first time, let SwiveLink connect you to the ultimate convenience of utilizing 100% of the connector's overall length.

- Provides the most reach with the shortest hose
- Reduces stress on the hose, eliminating kinking
- Keeps gas flow unrestricted
- Patented design; can't lock up
- Meets ANSI Z21.69 for B.T.U. capacity
- Available in sizes 1/2" through 1-1/4"
- 1/2 PSI max. gas pressure

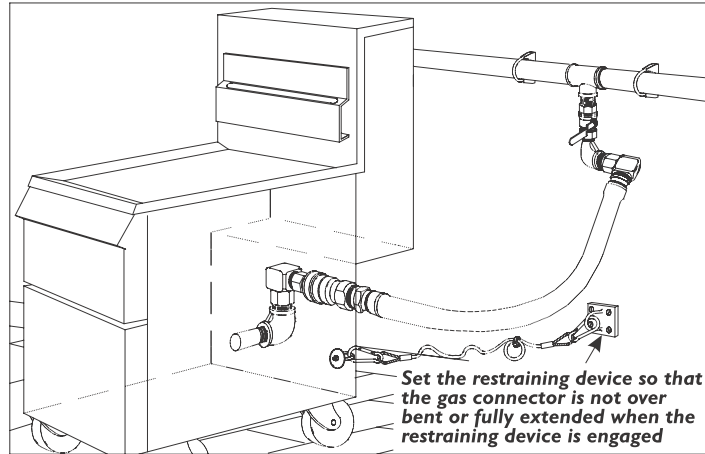
Usable length of hose with SwiveLink



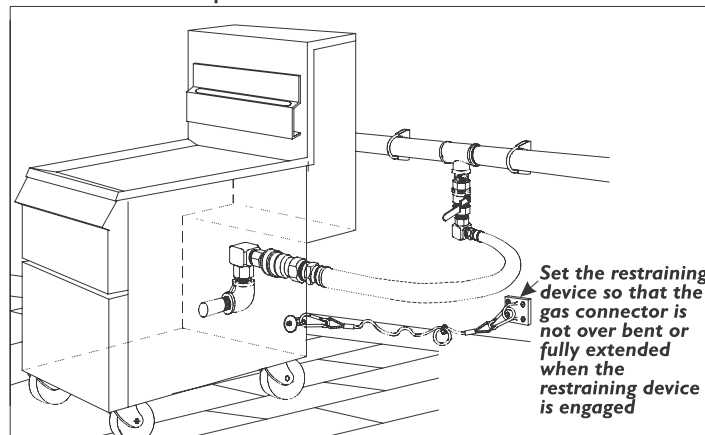
Usable length of hose WITHOUT SwiveLink



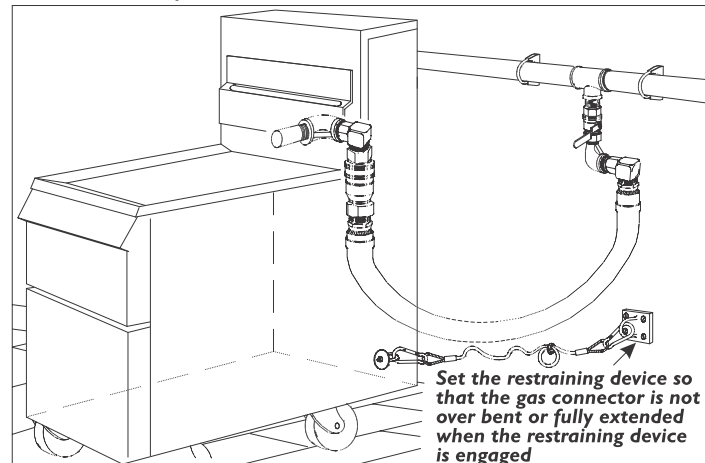
Combination Loop with SwiveLink



Horizontal Loop with SwiveLink



Vertical Loop with SwiveLink



## Water Appliance Connectors

- Hot and cold water appliance connectors
- Extruded coating
- Welded fittings
- Stainless braid
- Rated to 175°F maximum

### HW-2 Series with FreeSpin Fittings

- Male to male end fittings
- Welded fitting connections
- Coated stainless steel hose
- Extruded coating



### HW-4 Series with Quick-Disconnect

- Male to quick-disconnect fittings
- Welded fitting connections
- Coated stainless steel hose
- Extruded coating



### HW-6 Series Reversed Quick-Disconnect Cold Water Hoses

- Male to quick-disconnect plug (reverse quick-disconnect)
- Welded fittings
- Extruded coating
- Stainless steel braid hose



### Notes

---

---

---

---

---

---

---

---

---

---

---

---

---

---

---

---

---

---

---

---

---

---

---

---

---

---

## Water Appliance Parts and Components

### Brass Quick-Disconnect

- 3/8" AW-5B
- 1/2" AW-5C
- 3/4" AW-5D



F 10

## Water Appliance Connectors – Specifications

### Specifying An HW-2 and HW-4 Water Appliance Connector

HW - \_\_\_\_\_ - \_\_\_\_\_

| Hose Design              | Order |
|--------------------------|-------|
| Male to Male             | 2     |
| Male to Quick-Disconnect | 4     |

| Thread and Diameter | Order |
|---------------------|-------|
| 3/8"                | B     |
| 1/2"                | C     |
| 3/4"                | D     |

| Length                  | Order |
|-------------------------|-------|
| 24"                     | 24    |
| 36"                     | 36    |
| 48"                     | 48    |
| 60"                     | 60    |
| 72"                     | 72    |
| 72" with Vacuum Breaker | 72VB  |



HW-2



HW-4

Example:

Water hose with Quick-Disconnect, 3/4" diameter and 48" long:

HW – 4D – 48

**Note: Not all combinations are available. Check the "Index By Model Number" on page F12 for availability, or call T&S Customer Service.**

F  
11

### Specifying An HW-6 Water Appliance Connector

HW - 6 \_\_\_\_\_ - \_\_\_\_\_

| N.P.T. Thread, Male | Order |
|---------------------|-------|
| 3/8"                | B     |
| 1/2"                | C     |
| 3/4"                | D     |

| Hose Length | Order |
|-------------|-------|
| 36"         | 36    |
| 48"         | 48    |
| 60"         | 60    |
| 72"         | 72    |



HW-6

Example:

Water hose with Reverse Quick-Disconnect, 1/2" N.P.T. and 36" long:

HW – 6C – 36



Listed alphabetically by model number

F  
12

| Model                           | Description                    |
|---------------------------------|--------------------------------|
| <b>GAS APPLIANCE CONNECTORS</b> |                                |
| AG-5C                           | Gas QUICK-DISCONNECT-1/2"      |
| AG-5D                           | Gas QK-DISCONNECT-3/4" NPT     |
| AG-5E                           | Gas QK-DISCONNECT-1" NPT       |
| AG-5F                           | Gas QUICK-DISCONNECT-1 1/4"    |
| AG-6C                           | Gas SWIVELINK-1/2" NPT MA      |
| AG-6D                           | Gas SWIVELINK-3/4" NPT MA      |
| AG-6E                           | Gas SWIVELINK-1" NPT MA x      |
| AG-6F                           | Gas SWIVELINK-1 1/4" NPT       |
| AG-7D                           | Gas BALL VALVE-3/4" NPT        |
| AG-8C-MF                        | Gas STREET EL-1/2" NPT M x F   |
| AG-8D-FF                        | Gas ELBOW-3/4" NPT FE x FE     |
| AG-8D-MF                        | Gas STREET EL-3/4" NPT M x F   |
| AG-8E-MF                        | Gas STREET EL-1" NPT M x F     |
| AG-KC                           | Gas Kit-CABLE VALVE EL-1/2"    |
| AG-KD                           | Gas Kit CABLE VALVE EL-3/4"    |
| AG-KE                           | Gas Kit CABLE VALVE EL-1"      |
| AG-KF                           | Gas Kit CABLE VALVE EL-1 1/4"  |
| AG-RC                           | 5 ft. CABLE w/ HARDWARE        |
| HG-2C-36                        | Gas Hose 1/2" NPT x 36" Lngth. |
| HG-2C-36K                       | Gas Hose 1/2" X 36" KIT        |
| HG-2C-36S                       | Gas Hose 1/2" x 36" SWIVEL     |
| HG-2C-48                        | Gas Hose 1/2" NPT x 48" Lngth. |
| HG-2C-48K                       | Gas Hose 1/2" x 48" KIT        |
| HG-2C-48S                       | Gas Hose 1/2" x 48" SWIVEL     |
| HG-2C-48SK                      | Gas Hose 1/2" x 48" SW KIT     |
| HG-2C-60                        | Gas Hose 1/2" NPT x 60" Lngth. |
| HG-2C-72                        | Gas Hose 1/2" NPT x 72" Lngth. |
| HG-2C-72K                       | Gas Hose 1/2" NPT x 72" KIT    |
| HG-2D-24                        | Gas Hose 3/4" NPT x 24" Lngth. |
| HG-2D-24K                       | Gas Hose 3/4" x 24" KIT        |
| HG-2D-24S                       | Gas Hose 3/4" x 24" SWIVEL     |
| HG-2D-24SK                      | Gas Hose 3/4" x 24" SW KIT     |
| HG-2D-36                        | Gas Hose 3/4" NPT x 36" Lngth. |
| HG-2D-36K                       | Gas Hose 3/4" x 36" KIT        |
| HG-2D-36S                       | Gas Hose 3/4" x 36" SWIVEL     |
| HG-2D-36SK                      | Gas Hose 3/4" x 36" SW KIT     |
| HG-2D-48                        | Gas Hose 3/4" NPT x 48" Lngth. |
| HG-2D-48K                       | Gas Hose 3/4" x 48" KIT        |
| HG-2D-48S                       | Gas Hose 3/4" x 48" SWIVEL     |
| HG-2D-48SK                      | Gas Hose 3/4" x 48" SW KIT     |
| HG-2D-60                        | Gas Hose 3/4" NPT x 60" Lngth. |
| HG-2D-60S                       | Gas Hose 3/4" x 60" SWIVEL     |
| HG-2D-60SK                      | Gas Hose 3/4" x 60" SW KIT     |
| HG-2D-72                        | Gas Hose 3/4" NPT x 72" Lngth. |
| HG-2D-72K                       | Gas Hose 3/4" x 72" KIT        |
| HG-2D-72S                       | Gas Hose 3/4" x 72" SWIVEL     |
| HG-2D-72SK                      | Gas Hose 3/4" x 72" SW KIT     |
| HG-2E-36                        | Gas Hose 1" NPT x 36" Lngth.   |
| HG-2E-36K                       | Gas Hose 1" x 36" KIT          |
| HG-2E-36S                       | Gas Hose 1" x 36" SWIVELS      |
| HG-2E-36SK                      | Gas Hose 1" x 36" SW KIT       |
| HG-2E-48                        | Gas Hose 1" NPT x 48" Lngth.   |
| HG-2E-48K                       | Gas Hose 1" x 48" KIT          |
| HG-2E-48S                       | Gas Hose 1" x 48" SWIVELS      |

| Model        | Description                      |
|--------------|----------------------------------|
| HG-2E-48SK   | Gas Hose 1" x 48" SW KIT         |
| HG-2E-60     | Gas Hose 1" NPT x 60" Lngth.     |
| HG-2E-60K    | Gas Hose 1" x 60" KIT            |
| HG-2E-60S    | Gas Hose 1" x 60" SWIVELS        |
| HG-2E-72     | Gas Hose 1" NPT x 72" Lngth.     |
| HG-2E-72K    | Gas Hose 1" x 72" KIT            |
| HG-2E-72S    | Gas Hose 1" x 72" SWIVELS        |
| HG-2F-48     | Gas Hose 1 1/4" x 48" Lngth.     |
| HG-2F-48K    | Gas Hose 1 1/4" x 48" KIT        |
| HG-2F-48SK   | Gas Hose 1 1/4" x 48" SW KIT     |
| HG-4C-36     | Gas Hose 1/2" x 36" Q-D          |
| HG-4C-36K    | Gas Hose 1/2" x 36" Q-D KIT      |
| HG-4C-36S    | Gas Hose 1/2" x 36" SW Q-D       |
| HG-4C-36SK   | Gas Hose 1/2" x 36" Q-D SW KIT   |
| HG-4C-48     | Gas Hose 1/2" x 48" Q-D          |
| HG-4C-48K    | Gas Hose 1/2" x 48" Q-D KIT      |
| HG-4C-48S    | Gas Hose 1/2" x 48" SW Q-D       |
| HG-4C-48SK   | Gas Hose 1/2" x 48" Q-D SW KIT   |
| HG-4C-60     | Gas Hose 1/2" x 60" Q-D          |
| HG-4C-60K    | Gas Hose 1/2" x 60" KIT          |
| HG-4C-60S    | Gas Hose 1/2" x 60" SW Q-D       |
| HG-4C-60SK   | Gas Hose 1/2" x 60" Q-D SW KIT   |
| HG-4C-72     | Gas Hose 1/2" x 72" Q-D          |
| HG-4C-72K    | Gas Hose 1/2" x 72" KIT          |
| HG-4C-72S    | Gas Hose 1/2" x 72" SW Q-D       |
| HG-4D-24     | Gas Hose 3/4" x 24" Q-D          |
| HG-4D-24K    | Gas Hose 3/4" x 24" Q-D KIT      |
| HG-4D-24S    | Gas Hose 3/4" x 24" SW Q-D       |
| HG-4D-24SK   | Gas Hose 3/4" x 24" Q-D SW KIT   |
| HG-4D-36     | Gas Hose 3/4" X 36" Q-D          |
| HG-4D-36K    | Gas Hose 3/4" x 36" Q-D KIT      |
| HG-4D-36S    | Gas Hose 3/4" x 36" SW Q-D       |
| HG-4D-36SK   | Gas Hose 3/4" x 36" Q-D SW KIT   |
| HG-4D-48     | Gas Hose 3/4" x 48" Q-D          |
| HG-4D-48K    | Gas Hose 3/4" x 48" Q-D KIT      |
| HG-4D-48S    | Gas Hose 3/4" x 48" SW Q-D       |
| HG-4D-48SK   | Gas Hose 3/4" x 48" Q-D SW KIT   |
| HG-4D-60     | Gas Hose 3/4" x 60" Q-D          |
| HG-4D-60K    | Gas Hose 3/4" x 60" Q-D KIT      |
| HG-4D-60S    | Gas Hose 3/4" x 60" SW Q-D       |
| HG-4D-60SK   | Gas Hose 3/4" x 60" Q-D SW KIT   |
| HG-4D-72     | Gas Hose 3/4" x 72" Q-D          |
| HG-4D-72K    | Gas Hose 3/4" x 72" Q-D KIT      |
| HG-4D-72S    | Gas Hose 3/4" x 72" SW Q-D       |
| HG-4D-72SK   | Gas Hose 3/4" x 72" Q-D SW KIT   |
| HG-4E-36     | Gas Hose 1" NPT x 36" LNG Q-D    |
| HG-4E-36K    | Gas Hose 1" x 36" Q-D KIT        |
| HG-4E-36S    | Gas Hose 1" x 36" SW Q-D         |
| HG-4E-36SK   | Gas Hose 1" x 36" Q-D SW KIT     |
| HG-4E-48     | Gas Hose 1" NPT x 48" LNG Q-D    |
| HG-4E-48K    | Gas Hose 1" x 48" Q-D KIT        |
| HG-4E-48S    | Gas Hose 1" x 48" SW Q-D         |
| HG-4E-48S-RC | Gas Hose 1" x 48" SW Q-D, RC KIT |
| HG-4E-48SK   | Gas Hose 1" x 48" Q-D SW KIT     |

| Model                             | Description                                  |
|-----------------------------------|--|
| HG-4E-60                          | Gas Hose 1" NPT x 60" LNG Q-D                |
| HG-4E-60K                         | Gas Hose 1" x 60" Q-D KIT                    |
| HG-4E-60S                         | Gas Hose 1" x 60" SW Q-D                     |
| HG-4E-60SK                        | Gas Hose 1" x 60" Q-D SW KIT                 |
| HG-4F-48                          | Gas Hose 1 1/4" x 48" LNG Q-D                |
| HG-4F-48K                         | Gas Hose 1 1/4" x 48" Q-D KIT                |
| HG-4F-48S                         | Gas Hose 1 1/4" x 48" SW Q-D                 |
| HG-4F-48SK                        | Gas Hose 1 1/4" x 48" Q-D SW                 |
| HG-4F-60                          | Gas Hose 1 1/4" NPT x 60" Q-D                |
| HG-4F-60K                         | Gas Hose 1 1/4" x 60" Q-D KIT                |
| HG-4F-60S                         | Gas Hose 1 1/4" x 60" SW Q-D                 |
| HG-4F-60SK                        | Gas Hose 1 1/4" x 60" Q-D SW K               |
| HG-6D-48                          | Gas Hose RVS-Q-D 3/4" x 48"                  |
| HG-6D-72                          | Gas Hose RVS-Q-D 3/4" x 72"                  |
| HG-SD-36                          | Gas Hose Stationary 3/4" x 36"               |
| HG-SD-48                          | Gas Hose Stationary 3/4" x 48"               |
| <b>WATER APPLIANCE CONNECTORS</b> |  |
| AW-5B                             | 3/8" Brass Q-Disconnect                      |
| AW-5C                             | 1/2" Brass Q-Disconnect                      |
| AW-5D                             | 3/4" Brass Q-Disconnect                      |
| HW-2B-24                          | Water Hose, Male, 3/8" x 24"                 |
| HW-2B-36                          | Water Hose, Male, 3/8" x 36"                 |
| HW-2B-48                          | Water Hose, Male, 3/8" x 48"                 |
| HW-2B-72                          | Water Hose, Male, 3/8" x 72"                 |
| HW-2C-36                          | Water Hose, Male, 1/2" x 36"                 |
| HW-2C-48                          | Water Hose, Male, 1/2" x 48"                 |
| HW-2C-60                          | Water Hose, Male, 1/2" x 60"                 |
| HW-2C-72                          | Water Hose, Male, 1/2" x 72"                 |
| HW-2D-48                          | Water Hose, Male, 3/4" x 48"                 |
| HW-4B-24                          | Water Hose w/Q-D, 3/8" x 24"                 |
| HW-4B-36                          | Water Hose w/Q-D, 3/8" x 36"                 |
| HW-4B-48                          | Water Hose w/Q-D, 3/8" x 48"                 |
| HW-4B-72                          | Water Hose w/Q-D, 3/8" x 72"                 |
| HW-4B-72VB                        | Water Hose w/Q-D, Vacuum Breaker, 3/8" x 72" |
| HW-4C-36                          | Water Hose w/Q-D, 1/2" x 36"                 |
| HW-4C-48                          | Water Hose w/Q-D, 1/2" x 48"                 |
| HW-4C-60                          | Water Hose w/Q-D, 1/2" x 60"                 |
| HW-4C-72                          | Water Hose w/Q-D, 1/2" x 72"                 |
| HW-4C-72VB                        | Water Hose w/Q-D, Vacuum Breaker, 1/2" x 72" |
| HW-4D-48                          | Water Hose w/Q-D, 3/4" x 48"                 |
| HW-6C-36                          | Water Hose w/RVS-Q-D, 1/2" x 36"             |
| HW-6C-48                          | Water Hose w/RVS-Q-D, 1/2" x 48"             |
| HW-6D-48                          | Water Hose w/RVS-Q-D, 3/4" x 48"             |

**See Page F8 For NEW POSI-SET™ Gas Hose Models!**

**axion**<sup>TM</sup>

*msr*

medically superior response



# axion™

msr

Introducing AXION MSR™ by Haws, the first and only eyewash and eye/face wash specifically designed to operate in concert with standard healthcare protocols and the natural function of the human eye.

In addition to the AXION MSR medical innovations, this exciting new patent-pending product has a number of features that set it apart from any other eyewash on the market:

- ***Inverted eyewash and eye/face wash streams***

AXION eyewash streams are inverted compared with the traditional eyewash. AXION streams contact the eyes at the inner canthus or corner, adjacent to the bridge of the nose. Contaminants are then swept to the outer edge of the eye, where gravity takes over and runs them into the eyewash bowl.

- ***Laminar flow eyewash streams for greater stream consistency***

Another first is the use of laminar flow engineering in the eyewash streams. In simple terms, a laminar flow is one in which there is an absence of turbulence, because the stream is "built" in layers. The result? An even, comfortable, predictable stream height and circumference.

- ***"Zero vertical velocity" engineering for maximum victim comfort***

Next, because AXION eyewash streams are almost vertically oriented, they "stall" at a prescribed height. When the stream exhausts its vertical velocity, it softly turns outward and begins to fall off horizontally. This action causes a slight puddling of the flow in midair before it returns to the eyewash bowl. It occurs directly at the optimal contact point with the eye, making for a more pleasant and effective irrigation experience.



**the medically superior response**

The medical profession teaches and practices irrigating eyes by introducing flushing fluid at the inner corner of the eye – adjacent to the nose – letting it run across the eye to the outer edge. This is specifically done to avoid driving contaminants into the lacrimal punctum and the nasal cavity. The accepted medical practice is counter to the way that traditional eyewashes operate and can result in further injury to the splash or blown-particulate injured victim. Axion MSR is the only eyewash product that duplicates the methodology used by and recommended by healthcare professionals.



*Ophthalmologist Robert S. Wolff, MD*



## Emergency Safety Equipment by Haws For Immediate On-The-Job Eye Safety

Why do you need to consider installing an eyewash station in your facility? Since OSHA does not require eyewash stations by industry, the need for an eyewash station should be determined by the chemicals that are used in an establishment. Wherever corrosive chemicals are being used, an eyewash station is very important for employee safety and health.

If corrosive chemicals are being used, an eyewash station is very important for employee safety and health.

### EW-7360B Wall Mounted Eye/Face Wash

- Twin ABS green plastic eyewash heads with built-in 2.5 gpm flow control
- Integral flip top dust covers automatically release with flow of water
- Round stainless steel receptor with chrome plated brass stay open ball valve, 1/2" IPS inlet and outlet, 1-1/4" IPS waste
- Universal emergency eyewash sign
- Includes "Test This Week" tag to record weekly testing record of emergency equipment



**EW-7360B**

### EW-7501 Nine Gallon Gravity Fed Portable Eyewash Unit

- Nine gallon capacity, high-density green polyethylene tank provides full pattern flushing at .4 gpm for a full 15 minutes
- Fold down eyewash arm has positive upper limit stop that covers and protects spray outlets when not in use
- Wide-fill opening for easy inspection, cleaning and filling
- ABS plastic eyewash heads with tripod anchor, stainless steel socket head cap screw and rubber gasket
- Includes wall bracket and eyewash preservative to permit storage of water for up to six months. Note: unit must be wall hung



**EW-7501**

#### **Accessories:**

**EW-9082** Bacteriostatic preservative, four bottles per carton. One 8 oz. bottle preserves six to 20 gallons of water for up to six months.

### EW-7611 Countertop Mounted Pull Down Eye/Face Wash Unit

- Polished chrome plated brass eye/face wash swings forward to activate
- Twin ABS green plastic heads with built in 2.5 gpm flow control
- Integral flip top dust covers automatically release with flow of water
- Can be mounted on either right or left side of sink
- Supply: 1/2" O.D. slip joint
- Universal emergency eyewash sign
- Includes "Test This Week" tag to record weekly testing record of emergency equipment



**EW-7611**

### EW-7612 Swing Away Eyewash Unit

- Countertop mounted polished chrome plated brass eye/face wash unit with swing-away feature to activate
- Mounted on right side of sink
- Twin polished chrome plated brass anti-surge Soft-Flo heads, 1/4" IPS, with 1.2 gpm flow control
- Controls water flow rate when flow pressure is between 30 and 90 psi
- Green polyethylene dust covers automatically release with flow of water
- Supply: 1/2" O.D. slip joint
- Universal emergency eyewash sign
- "Test This Week" tag to record weekly testing record of equipment



**EW-7612**



**EW-7612LH**

### EW-7612LH Swing Away Eyewash Unit

- Same as EW-7612 except mounted on left side of sink

## Emergency Safety Equipment by Haws For Immediate On-The-Job Eye Safety

T&S Emergency Equipment by Haws offers you the simple solution to respond appropriately. Our eye and face wash stations can be used in industrial and foodservice applications, where clean-up personnel and others come in contact with corrosive chemicals.

### **EW-8904 Counter Mounted Laboratory Eye/Face Wash Unit**

- Countertop mounted eye/face and body spray
- Twin ABS plastic green heads positioned at 45° angle
- Controls water flow rate when flow pressure is between 30 and 90 psi
- Stay open squeeze lever valve with built in 6.25 gpm flow control assembly, 1/2" IPS inlet and 1/4" outlet
- Integral flip top dust covers automatically release with flow of water
- 8' green pressure rated hose with 1/2" IPS inlet and outlet, chrome plated fitting and Noryl plastic deck flange that incorporates guiding key slot for proper positioning of spray
- Universal emergency eyewash sign
- "Test This Week" tag to record weekly testing record of equipment



### **EW-9201EF Tempered Water Blending Valve**

- Thermostatic mixing valve supplies tempered water to fixtures requiring flow up to 7 gpm @ 30 psi, sufficient for a single eye/face wash unit
- Includes thermostatic mixing element and outlet temperature gauge
- Fail-safe back up ensures shut-off of incoming hot water if cold water fails or is interrupted; valve goes into cold water bypass mode
- Maintains outlet temperature to within +/- 5°F (2.5°C) with as little as 2 gpm water flow
- Outlet temperature factory setting: 80°F (26°C)
- Maximum inlet pressure: 125 psi
- Maximum inlet temperature: 180°F (82°C); recommended: 140°F; minimum temperature 120°F
- 1/2" NPT inlet and 3/4" NPT outlet
- Supplied with check valves



### **EW-9095 Eyewash Sprayhead Covers**

- Eyewash sprayhead covers protect eyewash orifices when not in use
- Ring end installed on eyewash frame (as shown) with covers bent over to cover the opposite eyewash orifice



**EW-9095 (installed)**

*For Replacement Parts, see next page*

- Certified in the U.S. to meet ANSI Z358.1 Standard for Emergency Eyewash and Shower Equipment
- Certified by CE and CSA in Europe and Canada
- All products tested before shipping
- Quick-Ship next day shipping available

## Emergency Safety Equipment Replacement Parts

### EW-SP21FC ABS Plastic Head

- Safety green eye/face wash head with built-in 2.5 gpm automatic pressure compensation flow control
- Assures soft, steady stream of water from 30 to 90 psi
- Integral flip top dust covers automatically release with flow of water
- 1/4" IPS supply



### EW-SP90 Stainless Steel Receptor

- Round 11" stainless steel receptor for model EW-7360B



### EW-SP131 Cap Assembly

- Threaded cap assembly for model EW-7501



### EW-SP140 8' Hose

- 250 psi hose with chrome plated swivel fitting at one end for ease of operation
- For model EW-8904



### EW-SP170 Safety Test Cards

- "Test This Week" cards with space to permanently record date and initials of inspector, to record weekly safety testing
- Printed on waterproof stock, comes with beaded ties
- Package of 25



### EW-SP225 Stainless Steel Push Flag

- Stainless steel push flag operates stay-open chrome plated brass ball eyewash valve
- Stainless steel ball and stem
- 1/4" FIPS inlet and 1/4" FIPS outlet



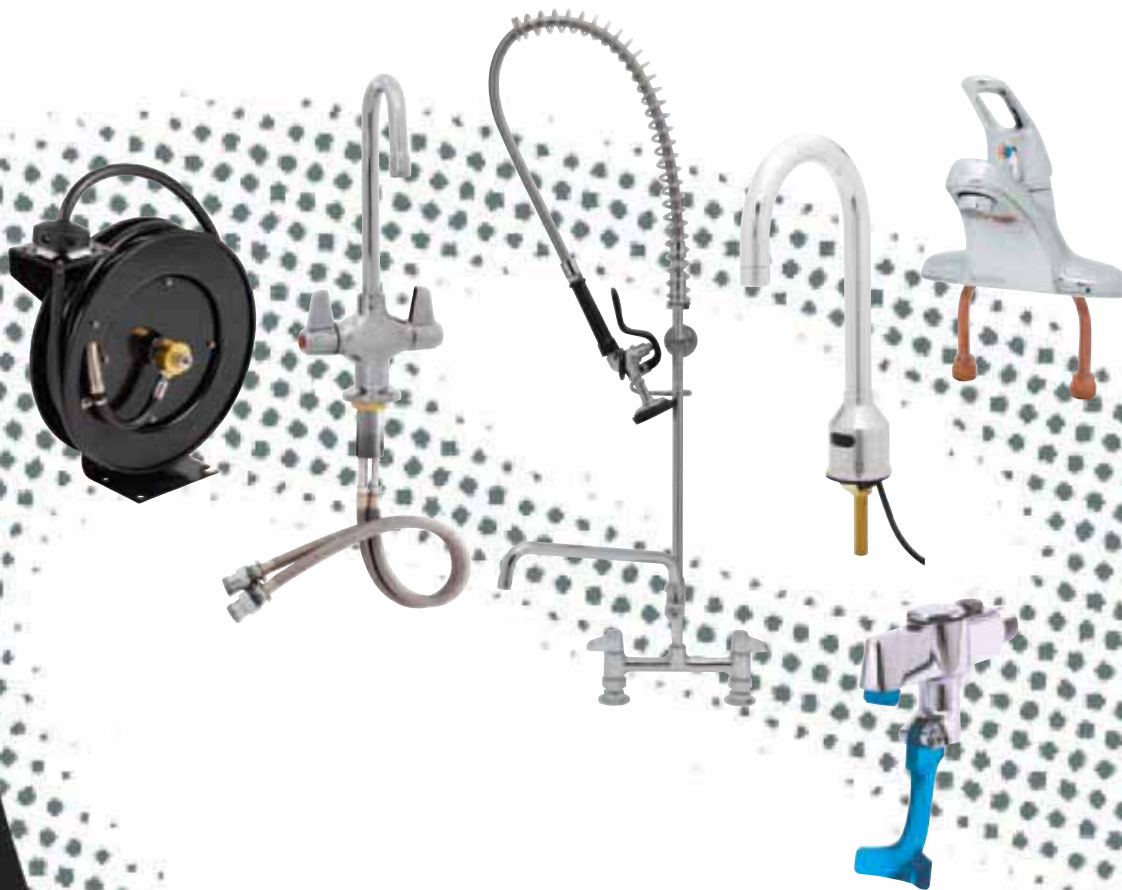
### EW-SP509 In-Line Mesh Strainer

- Fully serviceable 50 x 50 mesh strainer filters debris from reaching the eye or eye/face wash
- 1/2" x 1/4" strainer, 90°
- 1/2" slip-joint nut and washers for connecting to combination shower and eyewash units
- For model EW-7360B



equip  
by 

PLUMBING PRODUCTS



NEW  
MODELS!



**5EF-1D-DG  
Electronic Faucet**

- Single hole sensor faucet
- Deck mount, rigid gooseneck
- AC-DC control module
- Temperature control mixing valve



5EF-1D-DG

**5EF-1D-DG-4DP**

- Same as 5EF-1D-DG except with 4" deck plate

**5EF-1D-DGSM**

- Same as 5EF-1D-DG except with side mount mixing faucet with temperature and on-off control

**5EF-1D-DG-TMV**

- Same as 5EF-1D-DG except with thermostatic temperature control mixing valve with integral check valves

**5EF-1D-DG-VF05**

- Same as 5EF-1D-DG except with 0.5 GPM vandal-resistant outlet device

**5EF-1D-WG  
Electronic Faucet**

- Wall mount sensor faucet
- Rigid gooseneck
- AC-DC control module
- Temperature control mixing valve



5EF-1D-WG

**5EF-1D-WG-TMV**

- Same as 5EF-1D-WG except with thermostatic temperature control mixing valve with integral check valves

**5EF-1D-WG-VF05**

- Same as 5EF-1D-WG except with 0.5 GPM vandal-resistant outlet device

**5EF-1D-WGMM-HG**

- Same as 5EF-1D-WG except with hydro-generator accessory

**Electronic Faucets Replacement Parts**

- 5EF-0001 Control module
- 5EF-0002 AC transformer
- 5EF-0003 Flat lens sensor wire assembly
- 5EF-0004 Convex lens and sensor wire assembly
- 5EF-0005 Flexible supply hose for 3/8" compression stops
- 5EF-0006 Electronic faucet mixing valve
- 5EF-FILTER Electronic faucet control module filter
- 5EF-TMV Thermostatic mixing valve with 1/2" NPSM male fittings

**5EF-1D-DS  
Electronic Faucet**

- Single hole sensor faucet
- Deck mount, cast spout
- AC-DC control module
- Temperature control mixing valve



5EF-1D-DS

**5EF-1D-DS-4DP**

- Same as 5EF-1D-DS except with 4" deck plate

**5EF-1D-DS-TMV**

- Same as 5EF-1D-DS except with thermostatic temperature control mixing valve with integral check valves

**5EF-1D-DS-VF05**

- Same as 5EF-1D-DS except with 0.5 GPM vandal-resistant outlet device

**5EF-2D-DS  
Electronic Faucet**

- 4" centerset sensor faucet
- Deck mount, cast spout
- AC-DC control module
- Temperature control mixing valve



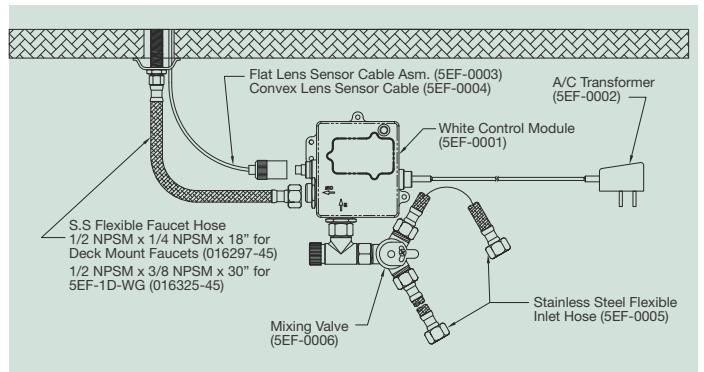
5EF-2D-DS

**5EF-2D-DS-TMV**

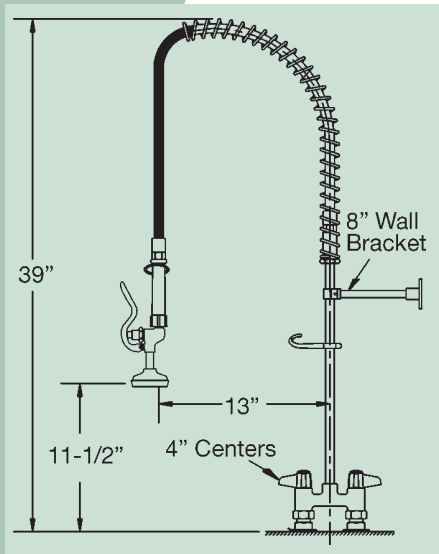
- Same as 5EF-2D-DS except with thermostatic temperature control mixing valve with integral check valves

**5EF-2D-DS-VF05**

- Same as 5EF-2D-DS except with 0.5 GPM vandal-resistant outlet device



## Pre-Rinse Units

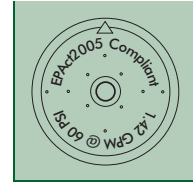


### 5PR-4D00

#### 4" Deck Mounted Pre-Rinse Unit

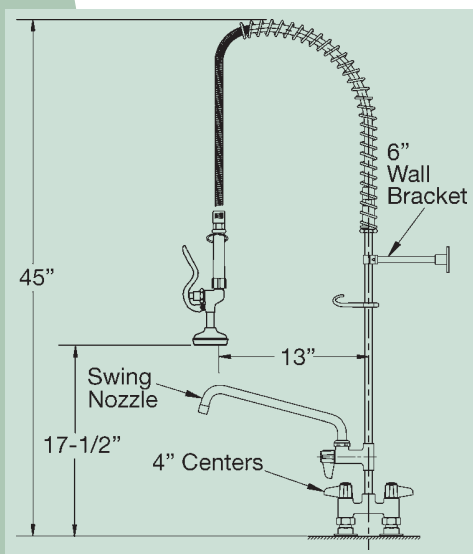
- Faucet with 4" centers
- Built-in check valves
- Inlet kit (014046-40) sold separately
- Includes 6" wall bracket
- 1.42 GPM at 60 PSI
- Available with add-on faucet:
 

|            |          |                   |
|------------|----------|-------------------|
| Model No.: | 5PR-4D18 | 18" Add-On Faucet |
|            | 5PR-4D14 | 14" Add-On Faucet |
|            | 5PR-4D12 | 12" Add-On Faucet |
|            | 5PR-4D10 | 10" Add-On Faucet |
|            | 5PR-4D08 | 8" Add-On Faucet  |
|            | 5PR-4D06 | 6" Add-On Faucet  |



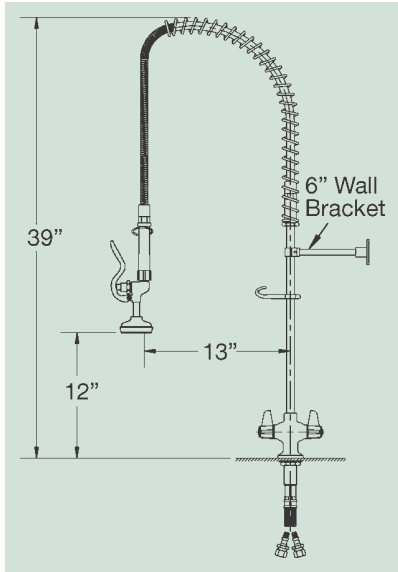
**EPA Act 2005  
Compliant equip  
Sprayface**

**Certified to NSF/ANSI 61/9**



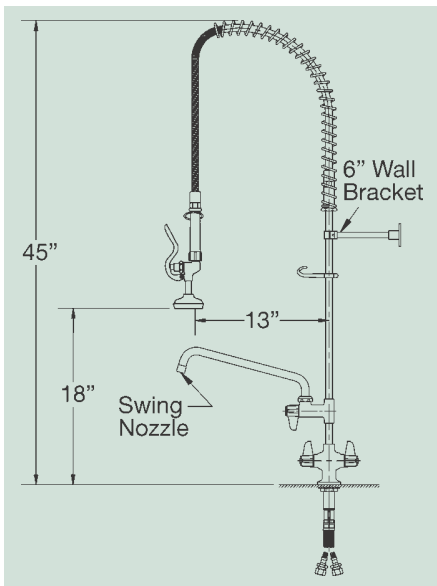
- Available with 12" wall bracket
- Available with low-flow spray valve (5SV-C)





**5PR-2S00**  
Single Hole Deck Mounted  
Pre-Rinse Unit

- Single hole faucet
  - Supplied with 1/2" in-line check valves
  - 18" flexible inlets with 1/2" couplings
  - Includes 6" wall bracket
  - 1.42 GPM at 60 PSI
  - Available with add-on faucet:
- |            |                 |                   |
|------------|-----------------|-------------------|
| Model No.: | <b>5PR-2S18</b> | 18" Add-On Faucet |
|            | <b>5PR-2S14</b> | 14" Add-On Faucet |
|            | <b>5PR-2S12</b> | 12" Add-On Faucet |
|            | <b>5PR-2S10</b> | 10" Add-On Faucet |
|            | <b>5PR-2S08</b> | 8" Add-On Faucet  |
|            | <b>5PR-2S06</b> | 6" Add-On Faucet  |



Phone: (800) 891-4808



5PR-2S00



**EPA Act 2005  
Compliant equip  
Sprayface**

**Certified to NSF/ANSI 61/9**



**5PR-2S00-12WB**  
Pre-Rinse Unit

- Same as 5PR-2S00 except with 12" wall bracket

**5PR-2S00-C**  
Pre-Rinse Unit

- Same as 5PR-2S00 except with low-flow spray valve (5SV-C)

**5PR-2S12-C**  
Pre-Rinse Unit

- Same as 5PR-2S12 except with low-flow spray valve (5SV-C)

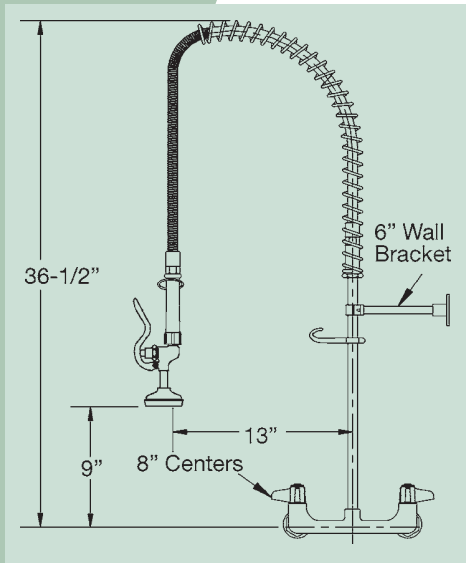


5PR-2S12

Fax: (800) 868-0084

Web: [equip.tsbrass.com](http://equip.tsbrass.com)

## Pre-Rinse Units



### 5PR-8W00

#### 8" Wall Mounted Pre-Rinse Unit

- Faucet with 8" centers
- Built-in check valves
- Inlet kit (014061-40) sold separately
- Includes 6" wall bracket
- 1.42 GPM at 60 PSI
- Available with add-on faucet:
 

|            |                 |                   |
|------------|-----------------|-------------------|
| Model No.: | <b>5PR-8W18</b> | 18" Add-On Faucet |
|            | <b>5PR-8W14</b> | 14" Add-On Faucet |
|            | <b>5PR-8W12</b> | 12" Add-On Faucet |
|            | <b>5PR-8W10</b> | 10" Add-On Faucet |
|            | <b>5PR-8W08</b> | 8" Add-On Faucet  |
|            | <b>5PR-8W06</b> | 6" Add-On Faucet  |



5PR-8W00



EPA Act 2005  
Compliant equip  
Sprayface

Certified to NSF/ANSI 61/9



5PR-8W12

### 5PR-8W00-C Pre-Rinse Unit

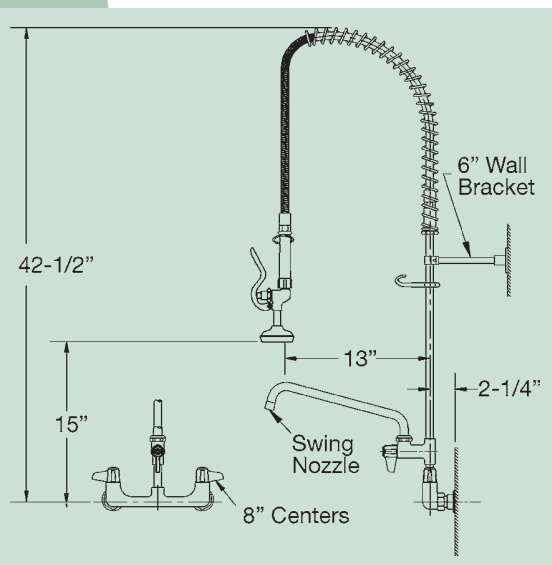
- Same as 5PR-8W00 except with low-flow spray valve (5SV-C)

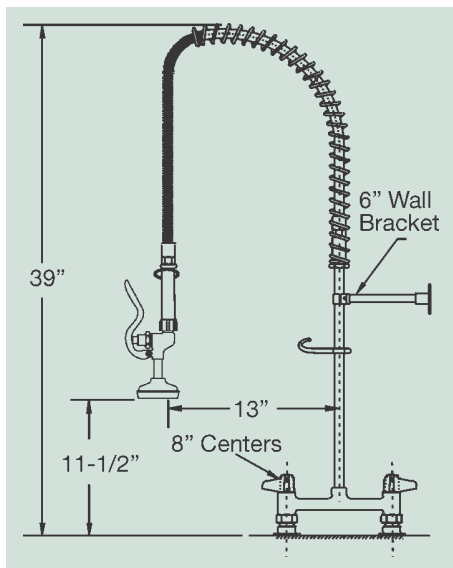
### 5PR-8W12-C Pre-Rinse Unit

- Same as 5PR-8W12 except with low-flow spray valve (5SV-C)

### 5PR-8W14-TWV Pre-Rinse Unit

- Same as 5PR-8W14 except with three (3) B-3950 twist waste valves





### 5PR-8D00

#### 8" Deck Mounted Pre-Rinse Unit

- Faucet with 8" centers
- Built-in check valves
- Inlet kit (014046-40) sold separately
- Includes 6" wall bracket
- 1.42 GPM at 60 PSI
- Available with add-on faucet:
 

|            |          |                   |
|------------|----------|-------------------|
| Model No.: | 5PR-8D18 | 18" Add-On Faucet |
|            | 5PR-8D14 | 14" Add-On Faucet |
|            | 5PR-8D12 | 12" Add-On Faucet |
|            | 5PR-8D10 | 10" Add-On Faucet |
|            | 5PR-8D08 | 8" Add-On Faucet  |
|            | 5PR-8D06 | 6" Add-On Faucet  |

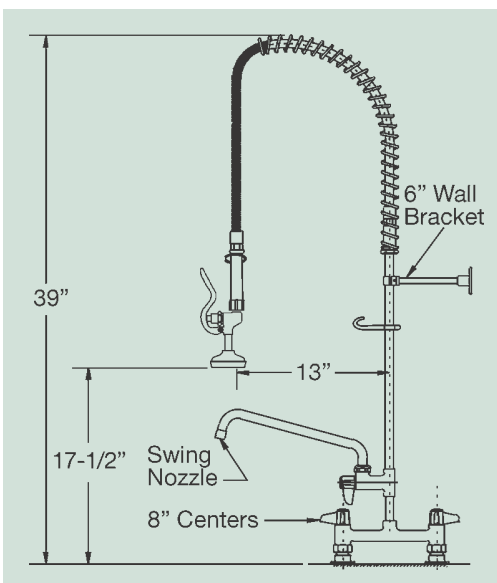


5PR-8D00



EPAct 2005  
Compliant equip  
Sprayface

Certified to NSF/ANSI 61/9

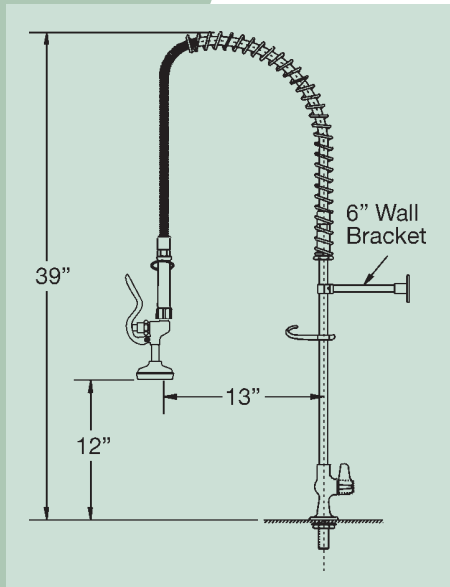


- Available with 12" wall bracket
- Available with low-flow spray valve (5SV-C)



5PR-8D12

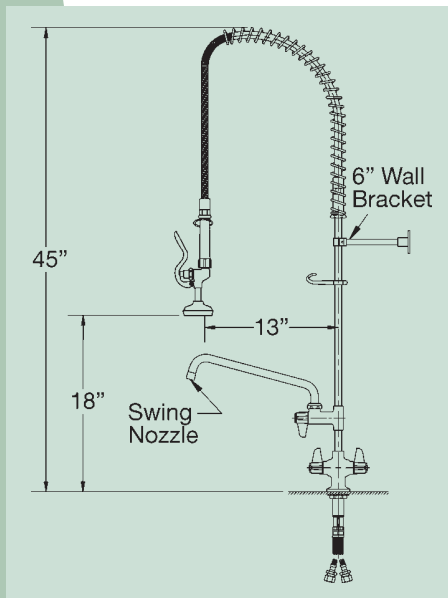
## Pre-Rinse Units



### 5PR-1S00 Single Supply Deck Mounted Pre-Rinse Unit

- Single supply faucet
- Includes 6" wall bracket
- 1.42 GPM at 60 PSI
- Available with add-on faucet:
 

|            |          |                   |
|------------|----------|-------------------|
| Model No.: | 5PR-1S18 | 18" Add-On Faucet |
|            | 5PR-1S14 | 14" Add-On Faucet |
|            | 5PR-1S12 | 12" Add-On Faucet |
|            | 5PR-1S10 | 10" Add-On Faucet |
|            | 5PR-1S08 | 8" Add-On Faucet  |
|            | 5PR-1S06 | 6" Add-On Faucet  |



5PR-1S00



EPA Act 2005  
Compliant equip  
Sprayface

Certified to NSF/ANSI 61/9

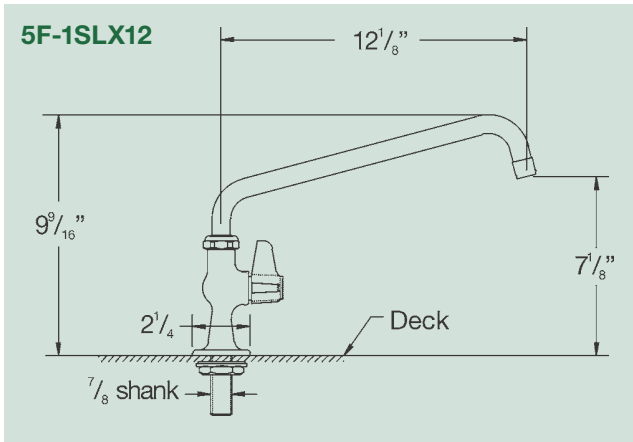


5PR-1S12

- Available with 12" wall bracket
- Available with low-flow spray valve (5SV-C)

### 5PR-1S00-60 Single Supply Deck Mounted Pre-Rinse Unit

- Same as 5PR-1S00 except with 60" stainless steel hose



5F-1SLX12

### 5F-1SLX12

#### Single Supply Deck Mounted Faucet

- Single supply deck mounted faucet with 12" swivel nozzle
- Also available with other length swivel nozzles:  
 Model No.: 5F-1SLX18 18" swivel nozzle  
 5F-1SLX14 14" swivel nozzle  
 5F-1SLX10 10" swivel nozzle  
 5F-1SLX08 8" swivel nozzle  
 5F-1SLX06 6" swivel nozzle  
 5F-1SLX00 Less swivel nozzle

### 5F-1SLX05

#### Single Supply Deck Mounted Faucet with 5 1/2" Swivel Gooseneck

- Same as 5F-1SLX12 except with 5 1/2" swivel gooseneck
- 14-5/8" height; 9-3/16" clearance from aerator to deck



5F-1SLX05

### 5F-1SLX03

#### Single Supply Deck Mounted Faucet with 3" Rigid Gooseneck

- Same as 5F-1SLX12 except with 3" rigid gooseneck
- 12-11/16" height; 8-15/16" clearance from aerator to deck



5F-1SLX03

### 5F-1SLX00

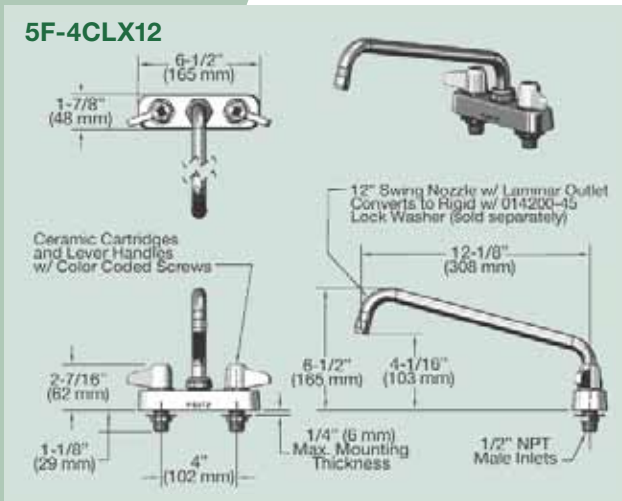
#### Single Supply Deck Mounted Faucet

- Single supply deck mounted faucet only, less nozzle

Certified to NSF/ANSI 61/9

## Faucets

### 5F-4CLX12



5F-4CLX12

### 5F-4CLX12

#### 4" Deck Mount Workboard Faucet

- Deck mounted faucet with 12" swing nozzle with laminar outlet
- Ceramic cartridges
- Converts to rigid with (#014200-45) lock washer (sold separately)
- Also available with other length swing nozzles:  
 Model No.: 5F-4CLX10 10" swing nozzle  
 5F-4CLX08 8" swing nozzle  
 5F-4CLX06 6" swing nozzle  
 5F-4CLX00 Less swing nozzle

### 5F-4CLX05

#### 4" Deck Mount Workboard Faucet with 5 1/2" Swivel Gooseneck

- Same as 5F-4CLX12 except with 5 1/2" swivel gooseneck with laminar outlet
- 11-7/8" height; 6-5/8" clearance from aerator to deck



5F-4CLX05

### 5F-4CLX03A

#### 4" Deck Mount Workboard Faucet with 3" Swivel Gooseneck

- Same as 5F-4CLX12 except with 3" swivel gooseneck with 2.2 GPM aerator
- 10" height; 6-3/16" clearance from aerator to deck

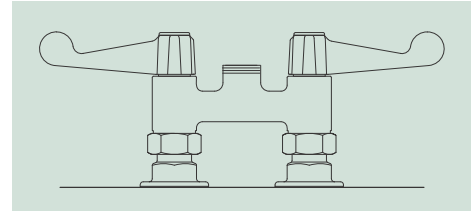
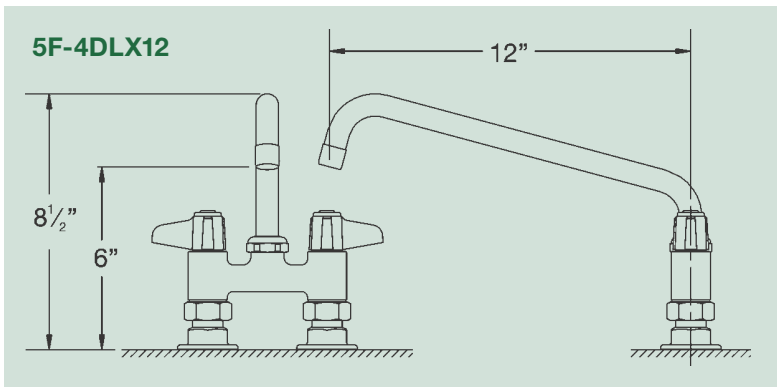
### 5F-4CLX00

#### 4" Deck Mounted Faucet

- Deck mounted faucet only, less nozzle

NOTE:  
 Faucets on this page with lever handles ("L") are also available with 4" wrist-action handles ("W"). Order ex.: 5F-4CWX03A  
 See page H13 for a complete list of these wrist-action handle models.

Certified to NSF/ANSI 61/9



**5F-4DWX00**  
4" Deck Mounted Faucet with Wrist Action Handles

**5F-4DLX12**  
4" Deck Mounted Faucet

- Deck mounted faucet with 12" swivel spout
- Inlet kit (014046-40) sold separately
- Also available with other length swivel spouts:  
 Model No.: 5F-4DLX18 18" swivel spout  
 5F-4DLX16 16" swivel spout  
 5F-4DLX14 14" swivel spout  
 5F-4DLX10 10" swivel spout  
 5F-4DLX08 8" swivel spout  
 5F-4DLX06 6" swivel spout  
 5F-4DLX00 Less swivel spout



**5F-4DLX12**

**5F-4DLX05**  
4" Deck Mounted Faucet with 5 1/2" Swivel Gooseneck

- Same as 5F-4DLX12 except with 5 1/2" swivel gooseneck
- 14" height; 8 1/2" clearance from aerator to deck



**5F-4DLX05**

**5F-4DLS05**  
4" Deck Mounted Faucet with 5 1/2" Swivel Gooseneck

- Same as 5F-4DLX05 except with 1/2" NPT supply nipple kit

**5F-4DLX03**  
4" Deck Mounted Faucet with 3" Rigid Gooseneck

- Same as 5F-4DLX12 except with 3" rigid gooseneck
- 12" height; 8" clearance from aerator to deck



**5F-4DLX03**

Certified to NSF/ANSI 61/9

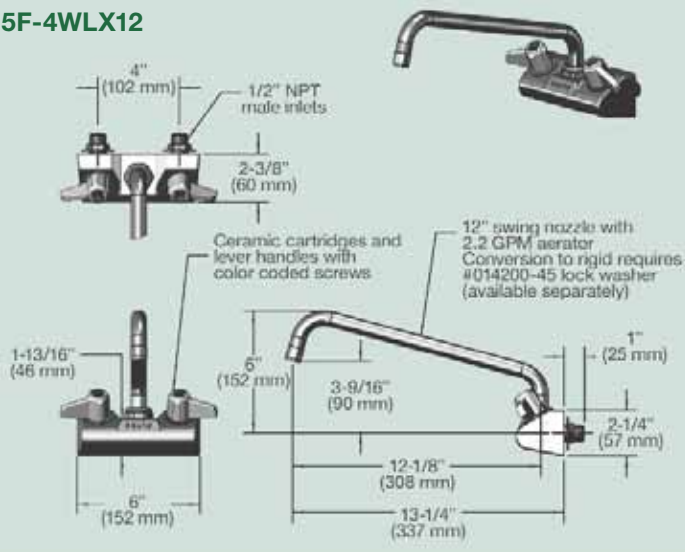
**5F-4DLX00**  
4" Deck Mounted Faucet

- Deck mounted faucet only, less nozzle

NOTE:  
Faucets on this page with lever handles ("L") are also available with 4" wrist-action handles ("W"). Order ex.: 5F-4DWX03

# Faucets

## 5F-4WLX12



5F-4WLX03

## 5F-4WLX12

### 4" Wall Mounted Faucet (above)

- Faucet with 4" centers
- Quarter-turn ceramic cartridges
- 2.2 GPM aerator
- Lever handles with color coded screws
- 12" swivel nozzle
- Also available with other length swivel nozzles:  
Model No.: 5F-4WLX10 10" swivel nozzle  
5F-4WLX08 8" swivel nozzle  
5F-4WLX06 6" swivel nozzle  
5F-4WLX00 Less swivel nozzle

## 5F-4WLX05

### 4" Wall Mounted Faucet (right)

- Same as 5F-4WLX12 except with 5 1/2" swivel gooseneck

## 5F-4WLX03

### 4" Wall Mounted Faucet (photo)

- Same as 5F-4WLX12 except with 3" swivel gooseneck

## 5F-4WLX03-VF05

### 4" Wall Mounted Faucet

- Same as 5F-4WLX03 except with 0.5 GPM vandal-resistant non-aerated outlet device with 3/4-27UN female threads
- Includes vandal-resistant key

## 5F-4WWX00

### 4" Wall Mounted Faucet

- Same as 5F-4WLX00 except with wrist action handles, not lever (see box, right)

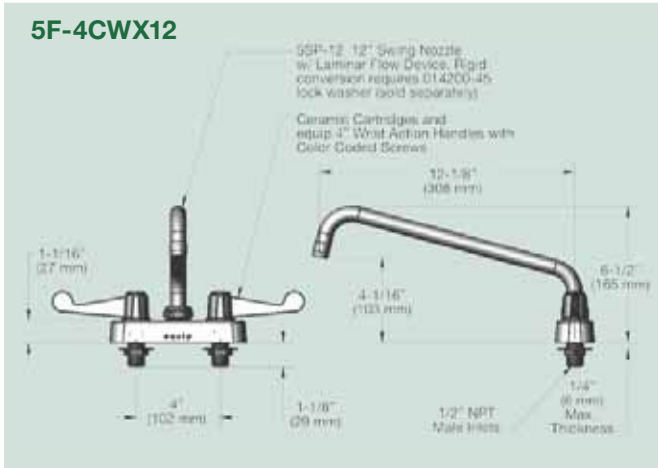
## 5F-4WLX05



### NOTE:

Faucets on this page with lever handles ("L") are also available with 4" wrist-action handles ("W"). Order ex.: 5F-4WWX03

Certified to NSF/ANSI 61/9



**5F-4CWX12**  
4" Deck Mount Workboard Faucet

- Deck mounted faucet with 12" swing nozzle with laminar outlet and 4" wrist action handles
- Ceramic cartridges
- Converts to rigid with (#014200-45) lock washer (sold separately)
- Also available with other length swing nozzles:  
Model No.: 5F-4CWX10 10" swing nozzle  
5F-4CWX08 8" swing nozzle  
5F-4CWX06 6" swing nozzle  
5F-4CWX00 Less swing nozzle



**5F-4CWX05A**  
4" Deck Mount Workboard Faucet with 5 1/2" Swivel Gooseneck

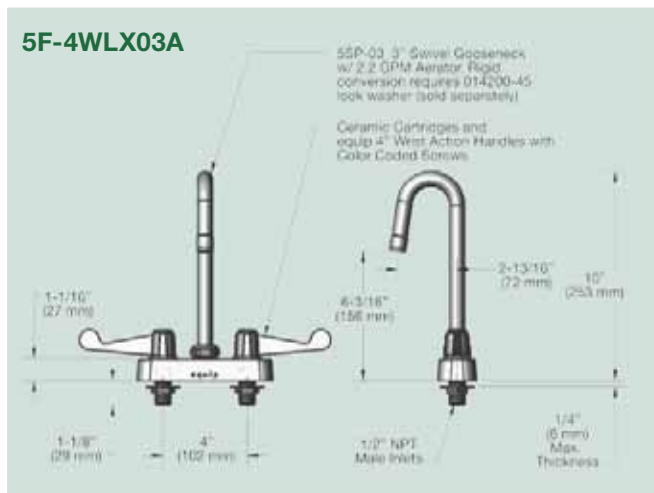
- Same as 5F-4CLX12 except with 5 1/2" swivel gooseneck and 2.2 GPM aerator

**5F-4CWX05**  
4" Deck Mount Workboard Faucet with 5 1/2" Swivel Gooseneck

- Same as 5F-4CLX12 except with 5 1/2" swivel gooseneck with laminar outlet
- 11-7/8" height; 6-5/8" clearance from aerator to deck

**5F-4CWX03A**  
4" Deck Mount Workboard Faucet with 3" Swivel Gooseneck

- Same as 5F-4CLX12 except with 3" swivel gooseneck with 2.2 GPM aerator
- 10" height; 6-3/16" clearance from aerator to deck

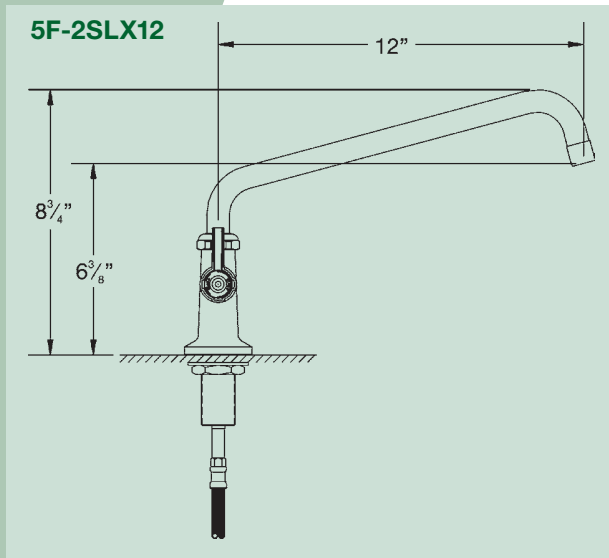


**5F-4CWX00**  
4" Deck Mounted Faucet

- Deck mounted faucet only, less nozzle

Certified to NSF/ANSI 61/9

## Faucets



### 5F-2SLX12

#### Single Hole Deck Mounted Faucet

- Single hole faucet with 12" swivel nozzle
- 18" flexible inlets with 1/2" couplings
- Also available with other length swivel nozzles:  
Model No.: 5F-2SLX18 18" swivel nozzle  
5F-2SLX14 14" swivel nozzle  
5F-2SLX10 10" swivel nozzle  
5F-2SLX08 8" swivel nozzle  
5F-2SLX06 6" swivel nozzle  
5F-2SLX00 Less swivel nozzle

### 5F-2SLX05

#### Single Hole Deck Mounted Faucet with 5 1/2" Swivel Gooseneck

- Same as 5F-2SLX12 except with 5 1/2" swivel gooseneck
- 14 1/8" height; 8 3/4" clearance from aerator to deck

### 5F-2SLX03

#### Single Hole Deck Mounted Faucet with 3" Rigid Gooseneck

- Same as 5F-2SLX12 except with 3" rigid gooseneck
- 12 1/4" height; 8 1/2" clearance from aerator to deck

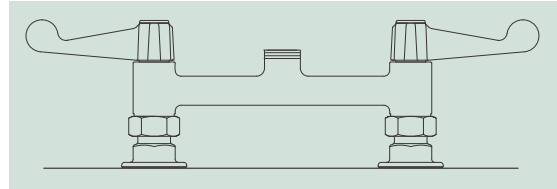
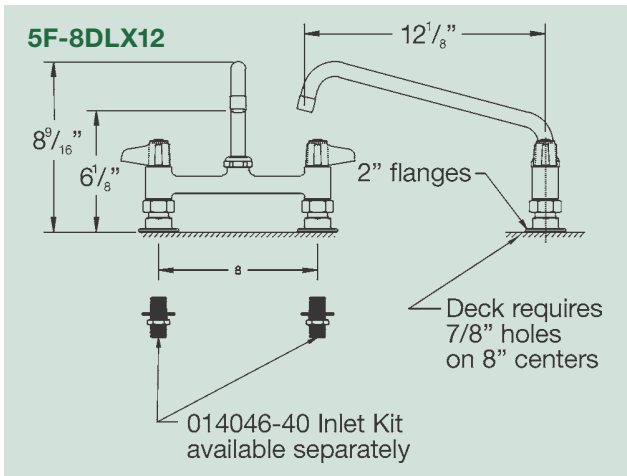
### 5F-2SLX00

#### Single Hole Deck Mounted Faucet

- Single hole deck mounted faucet only, less nozzle



Certified to NSF/ANSI 61/9



**5F-8DWX00**  
8" Deck Mounted Faucet with Wrist Action Handles

**5F-8DLX12**  
8" Deck Mounted Faucet

- Deck mounted faucet with 12" swivel nozzle
- Inlet kit (014046-40) sold separately
- Also available with other length swivel nozzles:  
 Model No.: 5F-8DLX18 18" swivel nozzle  
 5F-8DLX14 14" swivel nozzle  
 5F-8DLX10 10" swivel nozzle  
 5F-8DLX08 8" swivel nozzle  
 5F-8DLX06 6" swivel nozzle  
 5F-8DLX00 Less swivel nozzle

**5F-8DLX05**  
8" Deck Mounted Faucet with 5 1/2" Swivel Gooseneck

- Same as 5F-8DLX12 except with 5 1/2" swivel gooseneck
- 13-15/16" height; 8-7/16" clearance from aerator to deck

**5F-8DLX03**  
8" Deck Mounted Faucet with 3" Rigid Gooseneck

- Same as 5F-8DLX12 except with 3" rigid gooseneck
- 11-7/8" height; 8-1/8" clearance from aerator to deck

**5F-8DLX00**  
8" Deck Mounted Faucet

- Deck mounted faucet only, less nozzle

**NOTE:**

Faucets on this page with lever handles ("L") are also available with 4" wrist-action handles ("W"). Order ex.: 5F-4DWX03



5F-8DLX12



5F-8DLX05

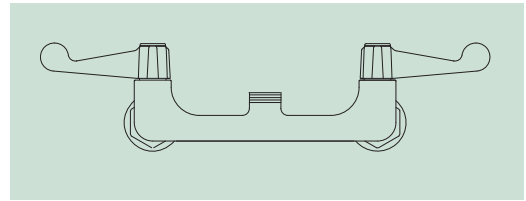
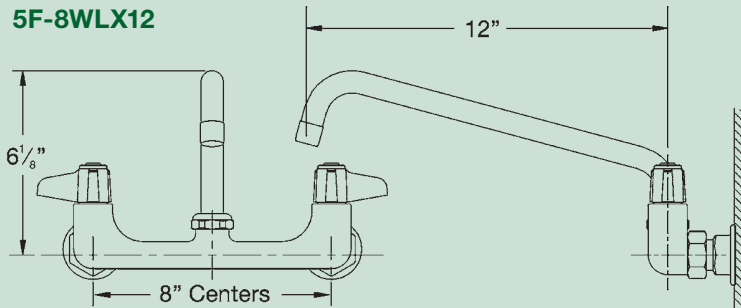
Certified to NSF/ANSI 61/9



5F-8DLX03

## Faucets

### 5F-8WLX12



**5F-8WWX00**  
8" Wall Mounted Faucet with  
Wrist Action Handles

### 5F-8WLX12 8" Wall Mounted Faucet

- Wall mounted faucet with 12" swivel nozzle
- Inlet kit (014061-40) sold separately
- Also available with other length swivel nozzles:  
Model No.: 5F-8WLX18 18" swivel nozzle  
5F-8WLX16 16" swivel nozzle  
5F-8WLX14 14" swivel nozzle  
5F-8WLS12 12" swivel nozzle  
and inlet supply kit  
5F-8WLX10 10" swivel nozzle  
5F-8WLX08 8" swivel nozzle  
5F-8WLX06 6" swivel nozzle  
5F-8WLX00 Less swivel nozzle



**5F-8WLX12**

### 5F-8WLX05 8" Wall Mounted Faucet with 5 1/2" Swivel Gooseneck

- Same as 5F-8WLX12 except with 5 1/2" swivel gooseneck
- 11 1/2" height



**5F-8WLX05**

### 5F-8WLX03 8" Wall Mounted Faucet with 3" Rigid Gooseneck

- Same as 5F-8WLX12 except with 3" rigid gooseneck
- 9 1/2" height



**5F-8WLX03**

### 5F-8WLX00 Wall Mounted Faucet

- Wall mounted faucet only, less nozzle

### 5F-8WLX00-EE Wall Mounted Faucet (not shown)

- Wall mounted faucet only with 00EE wall flanges

Certified to NSF/ANSI 61/9

#### NOTE:

Faucets on this page with lever handles ("L") are also available with 4" wrist-action handles ("W"). Order ex.: 5F-8WWX03

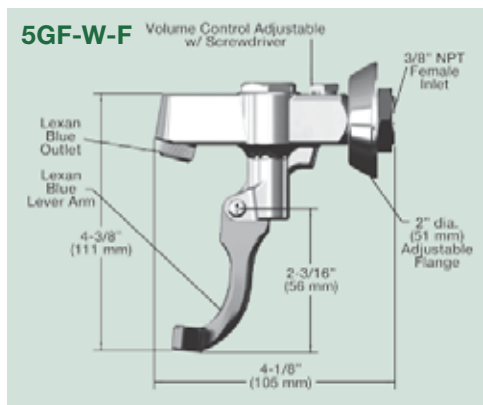
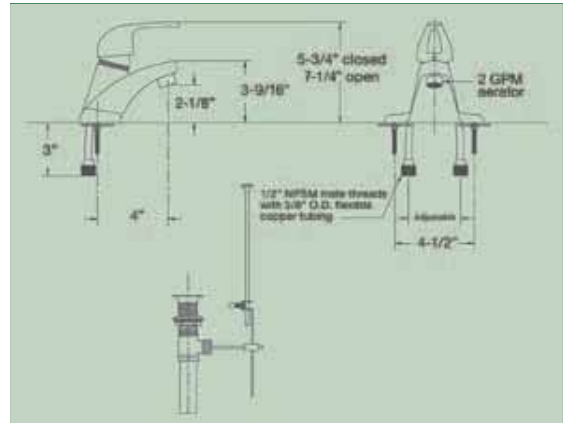
## 5SL-1000 and 5SL-1001 4" Centerset Single Lever Faucets

- 4" centers
- 1/2" NPSM inlets with 3/8" O.D. flexible copper tubing
- Built-in check valves
- Single lever cartridge replacement – #015232-45
- Available with or without pop-up assembly
- Also available with other length swivel nozzles

Model No.: 5SL-1000 without pop-up assembly  
5SL-1001 with pop-up assembly



5SL-1000

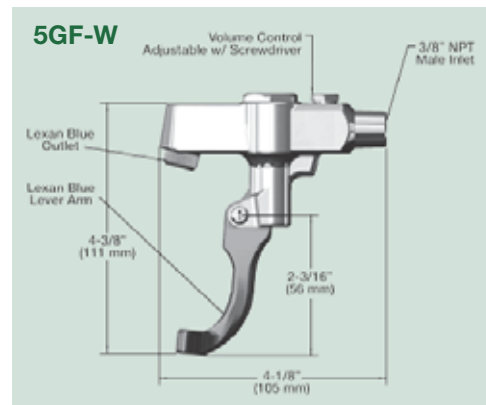


### 5GF-W-F Wall Mount Glass Filler

- Push back arm design
- 3/8" NPT female inlet
- 2" diameter adjustable slip flange
- Blue self-closing lexan arm
- Blue lexan outlet
- Volume control adjustable with screwdriver

### 5GF-W Wall Mount Glass Filler

- Push back arm design
- 3/8" NPT male inlet
- Blue self-closing lexan arm
- Blue lexan outlet
- Volume control adjustable with screwdriver



5GF-W-F

5GF-W



### 5GF-RK

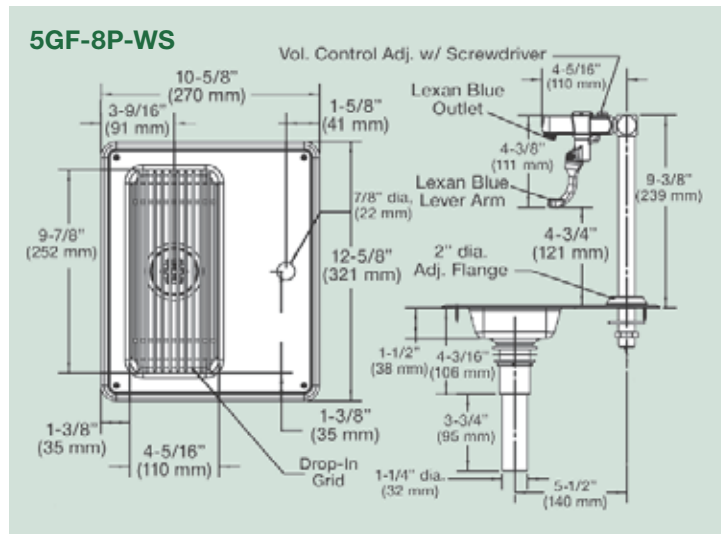
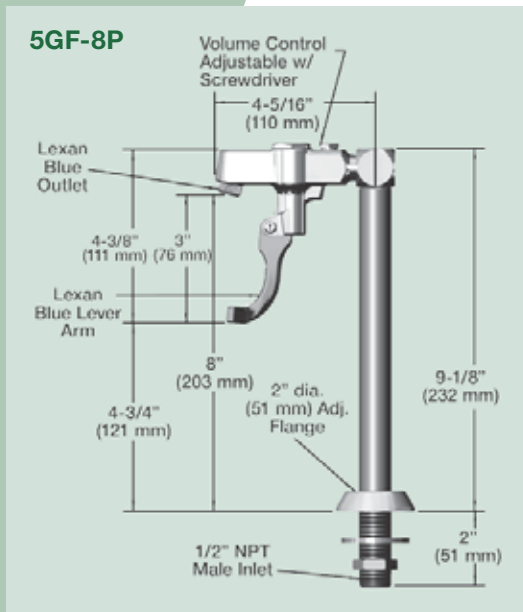
#### Glass Filler Repair Kit (not shown)

Replacement parts kit includes:

- (2) Springs
- (1) Handle screw
- (1) Handle nut
- (2) Seat washers
- (2) 'O'-rings
- (2) Bonnet washers
- (2) Stem packings
- (2) Outlet washers
- (1) Outlet tip
- (1) Lever arm
- (1) Silicon grease tube



## Glass Fillers



### 5GF-8P Pedestal Deck Mount Glass Filler

- Push back design
- 1/2" NPT male shank
- 2" diameter adjustable flange
- Blue self-closing lexan arm
- Blue lexan outlet
- Volume control adjustable with screwdriver

### 5GF-8P-WS Glass Filler Water Station

- Pedestal glass filler with retro design
- 18 gauge stainless steel drip pan
- 1/4" tailpiece for copper tubing to fit 1/4" O.D. tubing
- Also available to fit 3/8" and 1/2" O.D. copper tubing
- 1/2" NPT male shank
- 2" diameter adjustable flange
- Blue self-closing lexan arm
- Blue lexan outlet
- Volume control adjustable with screwdriver
- Stainless steel screws for mounting included
- Suggested cut-out: 10-1/2" x 5"



5GF-8P



5GF-8P-WS

**5HR-232, 5HR-242  
and 5HR-342  
Open Hose Reels**

**FEATURES:**



**Guide Arm**

- 4-position orientation
- Mounted independently
- Easily adjustable
- Thick steel structure
- Extra ribs for strength

**Adjustable Hose Stop**

**Mainspring**

- Proprietary spring alloy
- Exceeds 25K pull test
- Easy and safe service

**Reel and Base**

- Powder coated steel
- Thick steel structure
- Extra ribs for strength

**Hose**

- 3/8" I.D. EPDM tube
- Black SBR rubber
- 35' and 50' hose lengths
- 300 PSI max.
- 176°F maximum temperature
- Standard on -GH models:  
3' connector hoses

**Heavy-Duty Brass Swivel**

- Outboard of reel
- Easy 'O'-Ring service
- 'O'-Ring: Buna-N nitrile and two nylon wearing rings

**5SV-H**

**Hose Reel Spray Valve and Handle**

- Not intended for use with pre-rinse units (handle not shown)
- Add "-01" to models to include spray valve
- 3/4-14 inlet
- Also available: **5SV-B** Bonnet assembly  
**5SV-H-RK** Repair kit



**5WG-1000-01**

**Water Gun**

- **5WG-1000** – with quick-disconnect, and 1/2" and 3/8" adapters



## Hose Reels

### Open Hose Reels

- ISO certified
- 3/8" and 1/2" NPT connections
- Optional spray valve models available
- Replacement parts

### 5HR-232, 5HR-242 and 5HR-342 Open Hose Reels

- Black epoxy coated steel
- 35' and 50' hose lengths
- 3/8" I.D. hose
- Hose is rated at 300 PSI with a maximum temperature of 176°F
- 3/8-18 NPT male outlet on hose
- 3/8-18 NPT female inlet in reel



**5HR-232,  
5HR-242  
and  
5HR-342**

#### Hose Reel Model Options

##### 5HR-232 Models:

|                        |   |
|------------------------|---|
| • <b>5HR-232</b>       | Hose Reel with 35' hose length  |
| • <b>5HR-232-01</b>    | Includes <b>5SV-H</b> Spray Valve                                       |
| • <b>5HR-232-09</b>    | Includes <b>5WG-1000</b> Water Gun                                      |
| • <b>5HR-232-GH</b>    | 3/8" x 35' hose with Garden Hose Connector                              |
| • <b>5HR-232-01-GH</b> | 3/8" x 35' hose with <b>5SV-H</b> Spray Valve and Garden Hose Connector |

##### 5HR-242 Models:

|                        |   |
|------------------------|---|
| • <b>5HR-242</b>       | Hose Reel with 50' hose length  |
| • <b>5HR-242-01</b>    | Includes <b>5SV-H</b> Spray Valve                                       |
| • <b>5HR-242-09</b>    | Includes <b>5WG-1000</b> Water Gun                                      |
| • <b>5HR-242-GH</b>    | 3/8" x 50' hose with Garden Hose Connector                              |
| • <b>5HR-242-01-GH</b> | 3/8" x 50' hose with <b>5SV-H</b> Spray Valve and Garden Hose Connector |

##### 5HR-342 Models:

|                        |  |
|------------------------|--|
| • <b>5HR-342-01-GH</b> | 1/2" x 50' Hose with <b>5SV-H</b> Spray Valve and Garden Hose Connector    |
| • <b>5HR-342-09-GH</b> | 1/2" x 50' Hose with <b>5WG-1000</b> Spray Valve and Garden Hose Connector |
| • <b>5HR-342-GH</b>    | 1/2" x 50' Hose with Garden Hose Connector                                 |

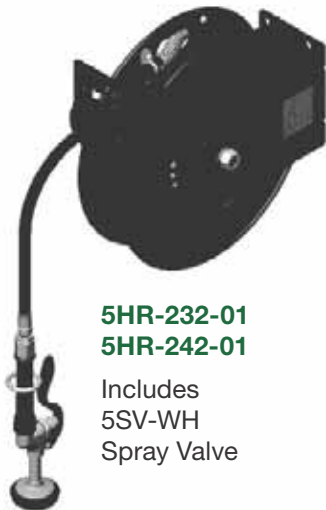
#### Hose Reel Assembly Replacement Parts

| Description                 | 35' Open Reel | 50' Open Reel |
|-----------------------------|---------------|---------------|
| <b>Spring Assembly</b>      | 5HR-SP-35     | 5HR-SP-50     |
| <b>Complete Swivel Asy.</b> | 5HR-2SA       | 5HR-2SA       |
| <b>Seal Kit</b>             | 5HR-2SK       | 5HR-2SK       |
| <b>Hose Assembly</b>        | 5HR-2HSE-35   | 5HR-2HSE-50   |

## 5HR-232 and 5HR-242 Hose Reel Models

### 5HR-232 Hose Reels

- Black powder coated steel
- 3/8" x 35' hose
- Stainless steel shaft and brass swivel with 3/8" NPT female inlet (left side of reel)
- Includes mounting bracket with holes and slots



**5HR-232-01**  
**5HR-242-01**

Includes  
5SV-WH  
Spray Valve



**5HR-232-09**  
**5HR-242-09**

Includes  
5WG-1000-01  
Water Gun with  
Quick-Disconnect  
and 3/8" and 1/2" Adapters

### 5HR-242 Hose Reels

- Black powder coated steel
- 3/8" x 50' hose
- Stainless steel shaft and brass swivel with 3/8" NPT female inlet (left side of reel)
- Includes mounting bracket with holes and slots

### Spray Outlet Options

5SV-WH  
Hose Reel Spray Valve



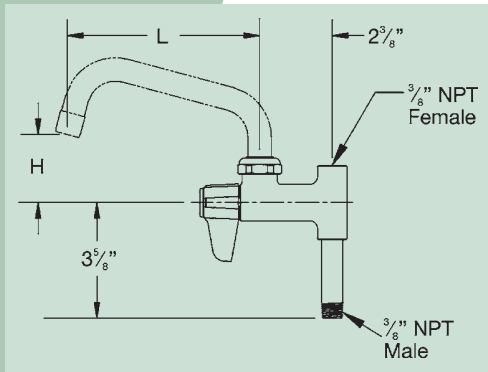
5SV-H  
High-Flow Spray Valve  
(4.0+ gpm)



5WG-1000-01  
Front Trigger  
Water Gun with  
Quick-Disconnect  
and Adapters



## Accessories



### Add-On Faucets with Swing Spouts in various lengths

- For pre-rinse units
- $\frac{3}{8}$ " NPT female outlet,  $\frac{3}{8}$ " NPT male inlet
- Model No.:
 

|        |                    |
|--------|--------------------|
| 5AFL18 | 18" Add-on faucet  |
| 5AFL14 | 14" Add-on faucet  |
| 5AFL12 | 12" Add-on faucet  |
| 5AFL10 | 10" Add-on faucet  |
| 5AFL08 | 8" Add-on faucet   |
| 5AFL06 | 6" Add-on faucet   |
| 5AFL00 | Faucet less nozzle |

Certified to NSF/ANSI 61/9



5AFL12



5AFL00

| Model Number | Description | "H" Inches | "L" Inches |
|--------------|-------------|------------|------------|
| 5AFL00       | No spout    | N/A        | N/A        |
| 5AFL06       | 6" spout    | 2-1/8"     | 6"         |
| 5AFL08       | 8" spout    | 2-5/8"     | 8"         |
| 5AFL10       | 10" spout   | 3-1/8"     | 10"        |
| 5AFL12       | 12" spout   | 3-3/4"     | 12"        |
| 5AFL14       | 14" spout   | 4-1/4"     | 14"        |
| 5AFL18       | 18" spout   | 5-3/8"     | 18"        |

### 5HR-HDL Hose Reel Grip Handle Assembly

- Black handle assembly with  $\frac{1}{2}$ " NPSM inlet
- Includes washer



### 5HR-2SA Swivel Assembly

- $\frac{3}{8}$ " NPT swivel assembly with stainless steel inlet and brass swivel outlet



### Ceramic Cartridge Assembly

- Hot Cartridge: 013787-45
- Cold Cartridge: 013788-45



### 5-HDL-W 4" Wrist Action Handle Kit

- Includes one handle and two screws (hot and cold)



### 5F-VF05 Vandal-Resistant Non- Aerated Spray Device

- Water-saving aerator at 0.5 GPM
- Vandal-resistant, 3/4-27UN
- Can be substituted on any Equip faucet
- Includes vandal-resistant key



### 5-HDL-L Lever Handle Kit

- Includes one handle and two colored screws (hot and cold)



### 014046-40 Deck Mount Inlet Kit

- $\frac{1}{2}$ " NPT on both ends of nipples (2)
- Includes lock nut and lock washer



### 014061-40 Wall Mount Inlet Kit

- $\frac{1}{2}$ " NPT supply nipples (2), lock nut and washer
- $\frac{1}{2}$ " NPT male and female short el



Phone: (800) 891-4808

Fax: (800) 868-0084

Web: [equip.tsbrass.com](http://equip.tsbrass.com)

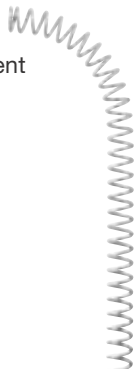
**5R-18**  
Riser

- Pre-rinse unit replacement part



**014068-45**  
Coiled Spring

- Pre-rinse unit replacement part



**5HSE44**  
Stainless Steel Hose

- 44" length
- Stainless outer cover
- Rubber inner hose
- Other hose lengths available:

- 5HSE68 68" hose
- 5HSE84 84" hose
- 5HSE96 96" hose



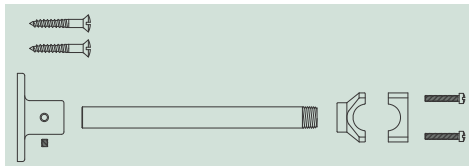
**5HR-2HSE-35**  
Black Hose Assembly

- 35' black hose
- Max. pressure: 2250 PSI
- Max. temp.: 176°F
- Stainless steel spring protector
- 3/8" NPT both ends



**013716-40**  
6" Wall Bracket

(shown, right)



**5WG-1000-01**  
Water Gun

- 5WG-1000-01 – With quick-disconnect, and 1/2" and 3/8" adapters



**5SV**  
Spray Valve for  
All Pre-Rinse Units

- 3/4-14 inlet
- EPAAct 2005 Compliant
- 1.42 GPM at 60 PSI
- Also available:

- 5SV-B Spray valve bonnet assembly
- SV-RK Spray valve repair kit (includes bumper ring, spray face and screw)



**5SV-WH**  
Spray Valve, Handle  
and Ring

- Same as 5SV spray valve except includes handle and ring



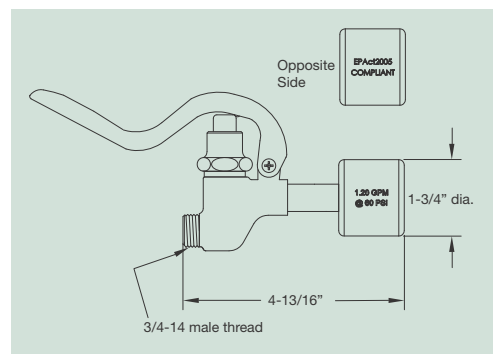
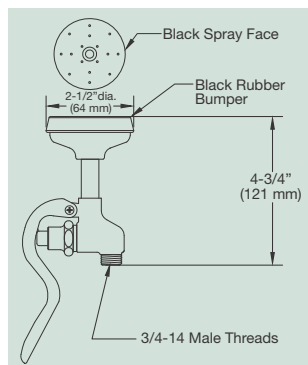
**5SV-C**  
Low Flow Spray Valve  
for All Pre-Rinse Units

- 1.2 GPM at 60 PSI



**5SV-H**  
High Flow Spray Valve

- Not intended for warewashing



## Swing Nozzles

- 3/4-27 Laminar outlet
- Available:

|        |                  |
|--------|------------------|
| 5SP-18 | 18" swing nozzle |
| 5SP-16 | 16" swing nozzle |
| 5SP-14 | 14" swing nozzle |
| 5SP-12 | 12" swing nozzle |
| 5SP-10 | 10" swing nozzle |
| 5SP-08 | 8" swing nozzle  |
| 5SP-06 | 6" swing nozzle  |



Certified to NSF/ANSI 61/9

## STANDARD – Goosenecks/Nozzles

### 5SP-03

#### 3" Rigid Gooseneck

- 3/4-27 Laminar outlet
- 5" clearance
- 8-3/4" height



5SP-03

### 5SP-05

#### Swivel Gooseneck

- 3/4-27 Laminar outlet
- 5-1/2" clearance
- 11" height



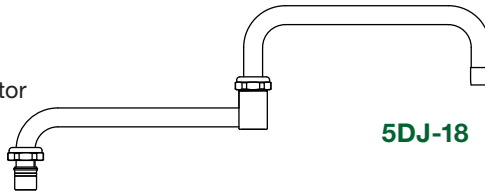
5SP-05

## OPTIONS – Goosenecks/Nozzles

### 5DJ-18

#### Double-Joint Nozzle

- 18" double-joint swivel nozzle with aerator
- 360° swivel piece fits swivel outlets
- 7-1/4" total height



5DJ-18

### 5SP-03A

#### 3" Swivel Gooseneck

- 3/4-27 2.2 GPM aerator outlet
- 2-13/16" clearance
- 9-1/8" height



### 5SP-08A

#### 8" Swing Nozzle

- 3/4-27 2.2 GPM aerator outlet
- 8-1/8" clearance
- 4-5/8" height



### 5SP-05A

#### 5 1/2" Swivel Gooseneck

- 3/4-27 2.2 GPM aerator outlet
- 5-9/16" clearance
- 11-1/16" height



### 5SP-10A

#### 10" Swing Nozzle

- 3/4-27 2.2 GPM aerator outlet
- 10-1/8" clearance
- 5-1/8" height



### 5SP-06A

#### 6" Swing Nozzle

- 3/4-27 2.2 GPM aerator outlet
- 6-1/8" clearance
- 4-1/16" height



### 5SP-12A

#### 12" Swing Nozzle

- 3/4-27 2.2 GPM aerator outlet
- 12-1/8" clearance
- 5-11/16" height



Certified to NSF/ANSI 61/9

### Warranty

All Equip products are warranted to be free from defects in material and workmanship for a period of one (1) year from the date of purchase. Liability is limited thereunder to factory repair and/or replacement of material found to be defective, after examination by Equip, during the warranty period. No claims for labor, shipping costs or consequential damages will be accepted or honored. Replacement and/or repair under this warranty will be made within a reasonable time after receipt by Equip of the allegedly defective item.

Items which have received secondary finishing or have been altered in any way after purchase are not covered by this warranty. Claims resulting from damaged cartons must be filed with the carrier.

Some states do not allow limitations on how long an implied warranty lasts or on the exclusion of incidental or consequential damages, so all the limitations or exclusions appearing herein may not be permitted by your state and, therefore, your local statutes should be consulted with respect thereto or with respect to any other rights which your state statutes may specifically confer on you.

After receiving proper authorization, all returns of merchandise which are claimed defective under this warranty must be sent to:

*Equip*

*2 Saddleback Cove, P.O. Box 1088*

*Travelers Rest, South Carolina, 29690,*

clearly marked to the attention of the Warranty Repair Department. Shipping charges, both ways, shall be paid by the customer.

### Certification

Equip proudly displays the certifications of the International Standardization Organization (ISO), Underwriters Laboratories (UL), and CSA International (Canadian Standards Association). These certifications demonstrate that Equip consistently delivers the quality products and services on which its customers depend.

The company's ISO-9001:2008 certification is based on an evaluation of its performance of the jobs and processes that potentially affect product quality. By proving itself under these strict regulations, Equip guarantees its products will be manufactured to meet industry standards.



Handwriting practice lines consisting of 20 rows. Each row contains a solid top line, a dashed midline, and a solid bottom line.



## T&S Brass Pet-Care Plumbing Specialty Products

*For Grooming Pets and Cleaning/Sanitizing Cages, Kennels & Stables*



# T&S Quality Pet-Care Plumbing Products



## RINSE UNITS

### Wash and Rinse Products



#### PG-4DREV Lightweight Aluminum Spray Unit

- 4" (102 mm) centers deck mounted faucet
- 1/2" NPT female inlets
- Coiled hose and aluminum spray valve
- Lightweight spray valve for easy, all-day use



#### PG-35AV-CH Coiled Hose & Valve

- Lightweight aluminum handle with rubber grip and hold down clip
- 1/4" NPT male inlet
- Coiled polyurethane hose with maximum stretching length of 9 ft.

| Replacement Parts |                  |
|-------------------|------------------|
| Model #           | Description      |
| EB-10K            | Repair Kit       |
| 001359-45         | Replacement Hose |
| PG-35AV           | Aluminum Valve   |

**PG-35AV-CH01** same as PG-35AV-CH except with female garden hose inlet (PG-0001)

**PG-35AV-CH02** same as PG-35AV-CH except with 3/8" NPT female inlet (PG-0002)

**PG-35AV-CH03** same as PG-35AV-CH except with 1/2" NPT female inlet (PG-0003)

**PG-35AV-CH04** same as PG-35AV-CH except with 3/4" x 14 female aerator inlet (PG-0004)

**PG-35AV-CH05** same as PG-35AV-CH except with 3/4" x 14 female inlet (052A)



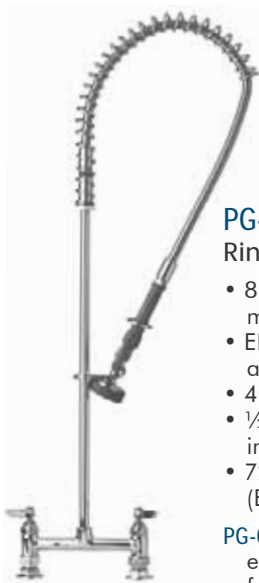
#### PG-8WREV Lightweight Aluminum Spray Unit

- 8" (203 mm) centers wall mounted faucet
- 1/2" NPT female inlets
- Coiled hose and aluminum spray valve
- Lightweight spray valve for easy, all-day use



#### PG-8WSAV-08 Lightweight Aluminum Spray Unit

- 8" (203 mm) centers wall mounted faucet
- 1/2" NPT female inlets
- Coiled hose and aluminum spray valve
- Swivel adapter
- Vacuum breaker
- 8" (203 mm) add-on faucet
- Lightweight spray valve for easy, all-day use



#### PG-0123 Overhead Wash and Rinse Unit

- 8" (203 mm) centers deck mounted faucet
- EB-0107 blue spray valve with automatic shut-off
- 40" high
- 1/2" NPT female eccentric flanged inlets
- 72" flexible stainless steel hose (B-0072-H)

**PG-0123-B** same as PG-0123 except with wall bracket for support



#### PG-0133 Overhead Wash and Rinse Unit

- 8" (203 mm) centers wall mounted faucet
- EB-0107 blue spray valve with automatic shutoff
- 34" high
- 1/2" NPT female eccentric flanged inlets
- 72" flexible stainless steel hose (B-0072-H)

**PG-0133-B** same as PG-0133 except with wall bracket for support

# — Our Pedigree is Your Quality Assurance

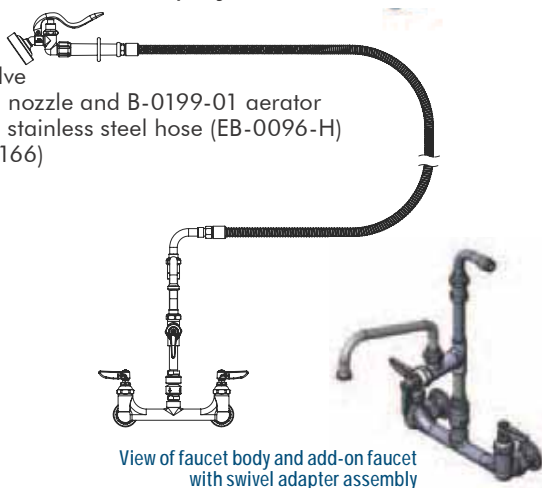


## RINSE UNITS

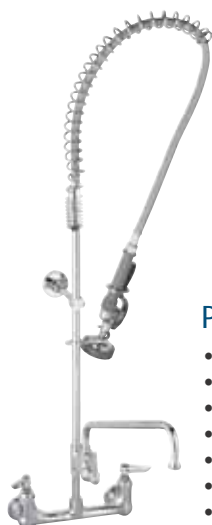
### Wash and Rinse Products

#### P3-8WESV-08M Sink Faucet with Hose Spray

- 8" (203 mm) centers wall mounted faucet
- EB-0107-035 blue spray valve
- Add-on faucet with 8" swing nozzle and B-0199-01 aerator
- Swivel body with 96" flexible stainless steel hose (EB-0096-H)
- Hanger hook assembly (B-0166)
- 1/2" NPT female inlets



View of faucet body and add-on faucet with swivel adapter assembly



#### PG-2187 Overhead Wash and Rinse Unit

- 8" (203 mm) centers wall mounted faucet
- 46<sup>13</sup>/<sub>16</sub>" high
- EB-0107 blue spray valve with finger hook
- Add-on faucet with 14" swing nozzle
- 1/2" NPT female eccentric flanged inlets
- Wall bracket for support
- 72" (1829 mm) PVC hose



#### B-2730 Swivel Base Faucet with Side Spray

- 9" spout
- 4" handle
- 4 ft. vinyl hose with hose guide
- Deck plate
- Flexible supply hoses

B-2730-LH same as B-2730 except with 6" long handle

B-2730-07 same as B-2730 except with 7 ft. hose

#### B-1171 Sink Faucet with Side Spray

- 4" (102 mm) centers deck mounted faucet
- Self-closing spray valve
- 8" (203 mm) swing nozzle
- 1" (25 mm) shanks
- Built-in diverter
- 4 ft. x 1.2 mm reinforced vinyl hose and hose guide

B-1172 same as B-1171 except with 8" centers

B-1172-02 same as B-1172 except with 7 ft. hose

#### B-2743 Single Lever Faucet with Side Spray

- Single hole deck mounted faucet
- Swivel gooseneck assembly with aerator
- Two 17" flexible supply hoses with 1/2" NPSM compression fittings
- Integral diverter for water flow through side spray or gooseneck



For more than half a century, T&S Brass has been setting the standard of excellence in the commercial plumbing business. Today, we manufacture a full line of quality grooming and pet-care plumbing products to make cleaning – and cleaning up after – even your toughest customers easy, safe, thorough and fast.

T&S pet-care products offer a wide range of tools and accessories designed to be versatile and withstand heavy use in kennels, grooming stations, veterinary clinics, boarding facilities and stables. T&S quality pet-care products are certified, always in stock and available worldwide. Plus, only T&S can get your order to you next day thanks to our exclusive T&S Brass 24-Hour Quick Ship program.

#### T&S delivers:

- Heavy-duty, commercial-grade products
- A wide range of features and options including sanitizing and interior/exterior capabilities
- Durable, corrosion-resistant stainless steel construction
- Easy to use, fully adjustable products
- Custom designed systems to meet your individual needs





## RINSE UNITS

### Wash and Rinse Products



#### B-1174 Deck Mounted Faucet with Spray

- 8" (203 mm) centers deck mounted faucet
- Side spray with 4 ft. hose (under counter) with hose deck flange
- 13<sup>11</sup>/<sub>16</sub>" high swivel gooseneck assembly with B-0199-01 aerator outlet
- Lever handles
- 1/2" NPT male shanks with 1/4" NPT tailpiece connections



#### B-1176 Deck Mounted Faucet with 7' Spray

- 8" (203 mm) centers deck mounted faucet
- EB-0107 blue spray valve
- EB-0084-H flexible stainless steel hose (under counter) with hose deck flange
- 13<sup>5</sup>/<sub>8</sub>" high swivel gooseneck assembly with aerator outlet (B-0199-01)
- Wrist action handles
- 1/2" NPT male shanks with 1/4" NPT tailpiece connections



#### B-1146-01 Wall Mounted Faucet

- 4" (102 mm) centers wall mounted faucet
- 5" (127 mm) high swivel gooseneck assembly with stream regulator outlet
- Lever handles
- 1/2" NPT male shanks with 1/4" NPT tailpiece connections



#### B-1146-04 Wall Mounted Faucet

- 4" (102 mm) centers wall mounted faucet
- 10<sup>5</sup>/<sub>8</sub>" high swivel gooseneck assembly with aerator outlet (B-0199-01)
- Lever handles
- 1/2" NPT male shanks with 1/4" NPT tailpiece connections



## HANDS-FREE FAUCETS

### Equip Electronic Faucets



#### 5EF-1D-DG Deck Mounted Electronic Faucet

- Single hole sensor faucet with aerator outlet
- Deck mounted with rigid gooseneck
- Hands-free operation



#### 5EF-1D-DS Deck Mounted Electronic Faucet

- Single hole sensor faucet with aerator outlet
- Deck mounted, cast spout
- Hands-free operation



#### 5EF-1D-WG Wall Mounted Electronic Faucet

- Single hole sensor faucet with aerator outlet
- Wall mounted with rigid gooseneck
- Hands-free operation

These electronic faucets include:

- AC/DC control module for ease of installation
- Temperature control mixing valve
- Inlet flex lines



RELIABILITY BUILT IN™



## HANDS-FREE FAUCETS Other Hands-Free Assemblies



**B-0502** Double Pedal Valve, Floor Mounted

- Inlets on 2½" (64 mm) centers
- 1" (25 mm) from wall to center of inlets



**B-0527** Swivel Gooseneck Spout

- Wall mounted swivel gooseneck
- ¾" NPT female inlet
- B-0199-01 aerator



**B-0521** Rigid Gooseneck Spout

- Deck mounted 5½" (140 mm) rigid gooseneck
- B-0199-02 aerator
- 10¼" (260 mm) high from deck to top of gooseneck



## HOSE REELS Epoxy Coated Steel Hose Reels

- Constructed of heavy-duty, corrosion-resistant epoxy coated stainless steel
- Long life and easy maintenance

These hose reels include:

- EB-0107 blue spray valve
- ¾" NPT female inlet
- Adjustable hose bumper
- Multi-fit bracket for wall, ceiling or under counter mounting
- Automatic retraction; pull hose to desired length, slight tug actuates retraction

Installation Note:

If mixing valve is used, check valves should be installed to prevent crossflow of water

**B-7242-01** Hose Reel Open Model, 50 ft. Hose

- Open epoxy coated hose reel
- 50 ft. (15.25 m) hose of ¾" I.D.
- EB-0107 blue spray valve

**B-7232-01** Hose Reel Open Model, 35 ft. Hose

- Open epoxy coated hose reel
- 35 ft. (10.7 m) hose of ¾" I.D.
- EB-0107 blue spray valve

**B-7212-01** Hose Reel Open Model, 15 ft. Hose

- Open epoxy coated hose reel
- 15 ft. (4.5 m) hose of ¾" I.D.
- EB-0107 blue spray valve



## HOSE REELS Stainless Steel Hose Reels

- Constructed of heavy-duty, corrosion-resistant stainless steel
- Long life and easy maintenance

These hose reels include:

- EB-0107 blue spray valve
- ¾" NPT female inlet
- Adjustable hose bumper
- Multi-fit bracket for wall, ceiling or under counter mounting
- Automatic retraction; pull hose to desired length, slight tug actuates retraction

Installation Note:

If mixing valve is used, check valves should be installed to prevent crossflow of water



**B-7142-01** Hose Reel Open Model, 50 ft. Hose

- Open stainless steel hose reel
- 50 ft. (15.25 m) hose of ¾" I.D.
- EB-0107 blue spray valve

**B-7132-01** Hose Reel Open Model, 35 ft. Hose

- Open stainless steel hose reel
- 35 ft. (10.7 m) hose of ¾" I.D.
- EB-0107 blue spray valve

**B-7112-01** Hose Reel Open Model, 15 ft. Hose

- Open stainless steel hose reel
- 15 ft. (4.5 m) hose of ¾" I.D.
- EB-0107 blue spray valve



## HOSE REELS

### Equip Hose Reels

- Constructed of heavy-duty, corrosion-resistant black epoxy coated steel
- Long life and easy maintenance

#### These Equip hose reels include:

- 5SV blue spray valve (not shown)
- $\frac{3}{8}$ " I.D. hose
- $\frac{3}{8}$ -18 NPT female inlet on reel
- $\frac{3}{8}$ -18 NPT male outlet on hose
- Hose is rated to 300 PSI with a maximum temperature of 176°F

#### Installation Note:

If mixing valve is used, check valves should be installed to prevent crossflow of water



5HR-232 Model

#### 5HR-232-01-GH Equip Hose Reel Open Model, 35 ft. Hose

- Open epoxy coated steel hose reel
- 35 ft. (10.7 m) hose of  $\frac{3}{8}$ " I.D.
- 5SV blue spray valve (not shown)
- 3 ft. connector hose with garden hose adapter for optional connection to garden hose threaded hose bibbs

5HR-232-GH same as 5HR-232-01-GH except without 5SV blue spray valve



5HR-242 Model

#### 5HR-242-01-GH Equip Hose Reel Open Model, 50 ft. Hose

- Open epoxy coated steel hose reel
- 50 ft. (15.25 m) hose of  $\frac{3}{8}$ " I.D.
- 5SV blue spray valve (not shown)
- 3 ft. connector hose with garden hose adapter for optional connection to garden hose threaded hose bibbs



## HOSE REEL ACCESSORIES

### Spray Valves and Water Guns



#### MV-2522-04 Front Trigger Water Gun

- Heavy-duty stainless steel construction, blue
- Adjustable stream from solid to soft spray
- Excellent for cleaning jobs
- Controls water supply easily and efficiently
- Automatic shut-off conserves water
- Rated up to 200 PSI



#### 5WG-1000-01 Equip Water Gun (at left)

- Water gun with quick-disconnect and  $\frac{1}{2}$ " and  $\frac{3}{8}$ " adapters

#### EB-2322 Extended Spray Wand

- EB-0107 spray valve with self-closing squeeze valve and extension for 21 $\frac{3}{4}$ " total length
- $\frac{3}{8}$ " NPT female inlet
- Blue handle grip with hold-down ring
- Removable spray head



#### EB-0107 Spray Valve

- Blue spray valve
- 4.0+ GPM at 60 PSI flow
- Connects directly to hose
- Hold-down ring for constant water flow
- Shuts off when handle is released



#### 5SV Equip Spray Valve

- For use on all 5HR-series hose reels
- $\frac{3}{4}$ -14 inlet
- 1.42 GPM at 60 PSI flow
- Includes spray valve and handle (not shown)



#### EB-0107-035 35° Angle Spray Valve

- Blue spray valve with 35° spray head
- 4.0+ GPM at 60 PSI flow
- Connects directly to hose
- Hold-down ring for constant water flow
- Shuts off when handle is released



#### MV-3516-25 Aluminum Rear Trigger Water Gun

- Aluminum water gun with  $\frac{5}{16}$ " flow orifice
- Blue rubber cover
- Includes  $\frac{1}{2}$ " NPT x  $\frac{3}{8}$ " NPT female adapter (not shown)



RELIABILITY BUILT IN™



## HOSE REELS

### Hose Reel Brackets



#### G016636-45 Swing Bracket

- Epoxy coated steel
- Fits all 35 ft. (10.7 m) epoxy coated hose reels
- Mounting hardware not included



#### G016637-45 Swing Bracket

- Epoxy coated steel
- Fits all 50 ft. (15.25 m) epoxy coated hose reels
- Mounting hardware not included



## OTHER MODELS

### And Accessories



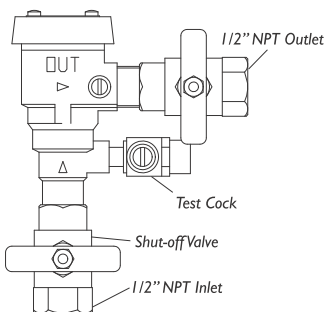
#### B-0665-BSTR Service Sink Faucet with Top Wall Brace

- Rough chrome plated finish
- Built in screwdriver stops
- 8" (203 mm) centers adjustable from 7<sup>3</sup>/<sub>4</sub>" (197 mm) to 8<sup>1</sup>/<sub>4</sub>" (210 mm)
- Vacuum breaker nozzle with 3/4" garden hose thread and pail hook
- 2<sup>3</sup>/<sub>8</sub>" (60 mm) clearance form wall to center line of faucet
- 8<sup>7</sup>/<sub>8</sub>" (225 mm) from wall to center of outlet
- 1/2" NPT female inlets
- Includes spring checks



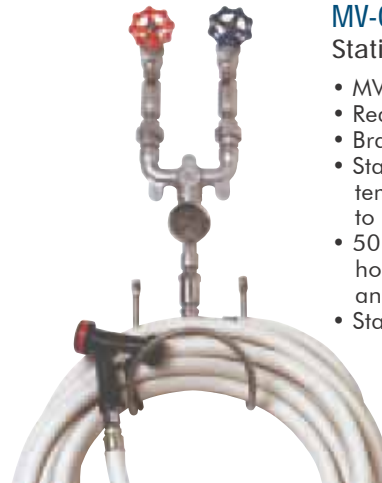
#### MV-0771-12N Mixing Valve

- Cast bronze valve, 1/2"
- Renewable disc
- Nickel alloy seats
- Two integral check valves
- 3/4" cast bronze unions
- 3/4" mixing valve



#### B-0963 Continuous Pressure Vacuum Breaker Assembly

- Designed for continuous pressure
- Furnished with quarter-turn ball valves
- 1/2" NPT inlet and outlet
- 001359-40 adapters available for 3/8" NPT



#### MV-0771-12NW Washdown Station Assembly

- MV-0771 1/2" mixing valve
- Rear trigger water gun
- Brass thermometer tee
- Stainless steel thermometer, temperature range from 50°F to 500°F
- 50 ft. (15.25 m) high pressure hose with brass couplings and swivel fittings
- Stainless steel hose rack



Our toll-free number, 1-800-476-4103, connects you to T&S Customer Service representatives. Their extensive product knowledge and hands-on training enable them to answer your questions, suggest smart solutions to your specific application needs and help you locate the T&S dealer nearest you.

You can also access information about these and other T&S products on our website, [www.tsbrass.com](http://www.tsbrass.com)



### EW-7360B Wall Mounted Eye/Face Wash

- Twin Feather-Flo® ABS green plastic eyewash heads with built-in 2.5 gpm flow control
- Integral flip top dust covers automatically release with flow of water
- Round stainless steel receptor with chrome plated brass stay open ball valve, 1/2" IPS inlet and outlet, 1 1/4" IPS waste



### EW-7611 Countertop Mounted Pull Down Eye/Face Wash Unit

- Polished chrome plated brass eye/face wash swings forward to activate
- Twin Feather-Flo® ABS green plastic heads with built in 2.5 gpm flow control
- Integral flip top dust covers automatically release with flow of water
- Can be mounted on either right or left side of sink
- Supply: 1/2" O.D. slip joint



### EW-7651 Wall or Splashback Mounted Eye/Face Wash Unit

- Polished chrome plated brass single-action pull down to activate
- Twin Feather-Flo® ABS green plastic heads with built in 2.5 gpm flow control
- Supply: 1/2" O.D. slip joint

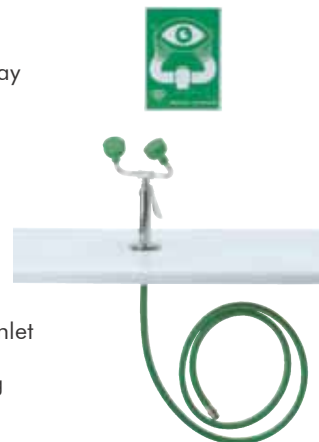


All Eyewash Stations include:

- Universal emergency eyewash sign
- "Test This Week" tag to record weekly testing record of equipment

### EW-8904 Counter Mounted Laboratory Eye/Face Wash Unit

- Countertop mounted eye/face and body spray
- Twin Feather-Flo® ABS plastic green heads positioned at 45° angle
- Controls water flow rate when flow pressure is between 30 and 90 psi
- Stay open squeeze lever valve with built in 6.25 gpm flow control assembly, 1/2" IPS inlet and 1/4" outlet
- Integral flip top dust covers automatically release with flow of water
- 8 ft. green pressure rated hose with 1/2" IPS inlet and outlet, chrome plated fitting and Noryl plastic deck flange that incorporates guiding key slot for proper positioning of spray

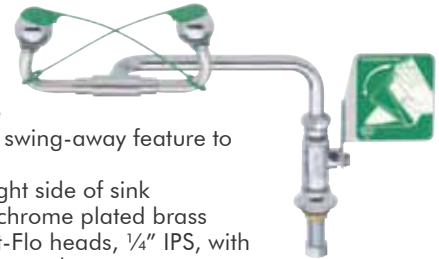


### EW-7501 Nine-Gallon Portable Gravity Fed Eyewash Unit

- Nine-gallon capacity, high-density green polyethylene tank provides full pattern flushing at .4 gpm for a full 15 minutes
- Fold down eyewash arm has positive upper limit stop that covers and protects spray outlets when not in use
- Wide-fill opening for easy inspection, cleaning and filling
- ABS plastic eyewash heads with tripod anchor, stainless steel socket head cap screw and rubber gasket
- Includes wall bracket and eyewash preservative to permit storage of water for up to six months. Note: unit must be wall hung

### EW-7612 Swing Away Eyewash Unit

- Countertop mounted polished chrome plated brass eye/face wash unit with swing-away feature to activate
- Mounted on right side of sink
- Twin polished chrome plated brass anti-surge Soft-Flo heads, 1/4" IPS, with 1.2 gpm flow control
- Controls water flow rate when flow pressure is between 30 and 90 psi
- Green polyethylene dust covers automatically release with flow of water
- Supply: 1/2" O.D. slip joint



### EW-7612LH Swing Away Eyewash Unit

- Same as EW-7612 except mounted on left side of sink

# IN G-10 Master Index

## A Pre-Rinse Units



## B Pot, Kettle and Glass Fillers



## C Faucets and Components



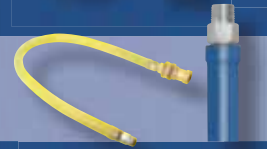
## D Institutional, Medical and Lab Products



## E Washdown and Clean-up Solutions



## F Safe-T-Link Appliance Connectors



## G Emergency Safety Equipment by Haws



## H Equip Plumbing Products



## P Pet-Care Plumbing Products



IN  
2

| Model No.    | Section & Page           | Model No. | Section & Page                       | Model No.      | Section & Page         | Model No.   | Section & Page    |
|--------------|--------------------------|-----------|--------------------------------------|----------------|------------------------|-------------|-------------------|
| 004R         | A16, 20, 22, 24          | 001047-45 | A43; C39                             | 002710-40      | A42; C38               | 009391-45   | A41; C40          |
| 000059-40    | D67                      | 001062-45 | B15                                  | 002711-40      | A42, 44; C38           | 009423-40QT | A43               |
| 000176-40    | B11                      | 001074-45 | C37, 40; D66                         | 002712-40      | A42, 44; C38           | 009424-40QT | A43               |
| 000357-40    | C12; D76                 | 001075-45 | A43; B15; C37                        | 002713-40      | A42; C38               | 009635-45   | B15; C37          |
| 000358-40    | C12; D76                 | 001088-45 | A43; C39                             | 002714-40      | A42; C38               | 009637-45   | C40               |
| 000361-40    | C12; D76                 | 001092-45 | A43; C37, 39; D66                    | 002721-45      | A43; B15; C39          | 009649-45   | C37               |
| 000363-40    | C12; D76                 | 001098-45 | A43; C37, 39; D66                    | 002726-45      | A43; B15; C37, 39, C40 | 009650-45   | B15               |
| 000369-40    | A16, 20; C12; D76        | 001100-45 | A44; B15; D67; E18                   | 002824-40      | A16, 20, 21            | 009744-45   | A43; C39          |
| 000372-40    | A12-14, 16, 22; C12; D76 | 001120-45 | A37, 39                              | 002829-40      | A16, 20, 21; E9        | 009749-25   | A43; C39          |
| 000373-40    | A16, 20                  | 001121-45 | A44; E18                             | 002832-40      | A16, 20, 21            | 009750-25   | A43; C37, 39      |
| 000376-40    | A16; C12; D76            | 001136-45 | A43; C39; D66                        | 002840-40-40CV | A22; B12               | 009752-45   | A43; B15; C37, 39 |
| 000544-25    | C11; D75                 | 001144-45 | C7; D71                              | 002848-40      | B9, 11; C6, D70        | 009753-40QT | A43               |
| 000545-25    | C11; D75                 | 001145-45 | B15                                  | 002850-40      | B11                    | 009754-40QT | A43               |
| 000546-25    | C11; D75                 | 001191-45 | D67                                  | 002851-40      | B6, 11                 | 009840-45   | B15               |
| 000549-25    | C11; D75                 | 001194-45 | D67, 69                              | 002852-40      | B11                    | 009841-45   | C37, 40; D66      |
| 000550-25    | C11; D75                 | 001248-40 | B11                                  | 002853-40      | A22; B11               | 009937-40   | B6                |
| 000552-25    | C11; D75                 | 001326-40 | C7; D71                              | 002854-40      | A39                    | 00AA        | A44; C13; D77     |
| 000554-25    | C11; D75                 | 001327-40 | C7; D71                              | 002856-40      | A31                    | 00BB        | A44; C13; D77     |
| 000590-25    | B11                      | 001328-40 | C7; D71                              | 002862-40      | B6                     | 00CC        | A44; C13; D77     |
| 000592-25    | B11                      | 001355-40 | C13; D76                             | 002864-40      | B6                     | 00EE        | A44; C13; D77     |
| 000685-20    | A43; C39                 | 001357-40 | C13; D76                             | 002866-40      | B6                     | 00GG        | A44; C13; D77     |
| 000718-25    | A43; C37, 39             | 001359-40 | C11; D75; P2                         | 002872-40      | B9, 10                 | 00JJ        | A44; C13; D77     |
| 000761-20    | C37                      | 001466-20 | A43; C39                             | 002873-40      | A32                    | 00KK        | A44; C13; D77     |
| 000764-20    | B15                      | 001479-45 | A43; C37, 39; D66                    | 002882-40      | A20                    | 00LL        | A22; C13; D76     |
| 000788-20    | A43; C37, 39; D66        | 001596-25 | C12; D76                             | 002884-40      | A20                    | 00QQ        | A44; C13; D77     |
| 000789-20    | A43; C37, 39; D66        | 001624-25 | C11; D75                             | 002900-40      | B11                    | 00WW        | A44; C13; D77     |
| 000794-25    | A43; C39                 | 001636-45 | A43; C7, 37, 39; D71                 | 002987-40      | B6                     | 00XX        | A44; C13; D77     |
| 000800-25    | A43; C37, 39             | 001637-45 | A43; C7, 37, 39; D71                 | 003090-45      | B15                    | 00YY        | A44; C13; D77     |
| 000801-25    | A43; C37, 39             | 001638-45 | A41, 43; C7, 39; D66, 71             | 003105-40      | C11; D75               | 010027-40   | C7; D71           |
| 000811-25    | A43; C37, 39; D66        | 001660-45 | A41, 43; C7, 37, 39, 40; D66, 67, 71 | 003164-45      | A43; C37, 39; D66      | 010123-45   | B5                |
| 000811-25CWS | D66                      | 001661-45 | A41, 43; C7, 37, 39, 40; D66, 67, 71 | 003198-45      | A39; B15               | 010126-45   | B5                |
| 000812-25    | A43; C37, 39; D66        | 001720-40 | C13; D76                             | 003199-45      | A39; B15               | 010150-45   | A41; C40          |
| 000812-25CWS | D66                      | 001769-40 | C12; D76                             | 003690-45      | D67                    | 010196-25   | C40               |
| 000821-40    | A16                      | 001783-40 | C7; D71                              | 005028-40      | D16                    | 010197-25   | C37               |
| 000888-45    | A12, 16, 22              | 001784-40 | C7; D71                              | 005959-40      | A42; C38               | 010384-45   | C34               |
| 000894-45    | B15                      | 001806-25 | C11; D75                             | 005960-40      | A42; C38               | 010385-45   | C34               |
| 000895-45    | A41, 44; E18             | 001907-25 | A43; C37, 39; D66                    | 005969-40      | A32                    | 010386-45   | C34               |
| 000907-45    | A16, 39                  | 001908-25 | A43; C37, 39; D66                    | 006009-40QT    | A43                    | 010387-45   | C34               |
| 000913-45    | A44; E18                 | 002337-45 | C11; D75                             | 006010-40QT    | A43                    | 010388-45   | C34               |
| 000922-45    | A41, C37, 39; D66, 67    | 002521-45 | C7, 40; D67, 71                      | 006482-40      | A42; B13; C38          | 010391-45   | C34               |
| 000925-45    | D67                      | 002534-25 | C12; D76                             | 006678-45      | B7                     | 010393-45   | C34               |
| 000933-45    | A43; B15; C37, 39; D66   | 002535-25 | C12; D76                             | 006895-20      | C11, 13; D75, 76       | 010393-45XS | C34               |
| 000974-45    | A44; B15; D67; E18       | 002584-25 | C11; D75                             | 007861-45      | A37, 44; E18           | 010394-45   | C34               |
| 000976-45    | A43; B15; C37, 39        | 002601-45 | A43; C37, 39; D66                    | 008963-40      | A17                    | 010394-45XS | C34               |
| 000986-45    | A43; C39                 | 002659-45 | A39, 41                              | 009002-25      | D66                    | 010476-45   | A39, 44; E18      |
| 001022-45    | A43; C37, 39; D66        | 002662-40 | A39                                  | 009194-25      | C37                    | 011276-40   | A42; C38          |
| 001040-45    | A41, 44; D59; E18        | 002709-40 | A42; C38                             | 009195-25      | C37                    | 011277-40   | A42; C38          |
| 001042-45    | A43; C39                 |           |                                      | 009227-40      | A44                    | 011278-25   | A42; C38          |
|              |                          |           |                                      | 009228-40      | A44                    | 011279-25   | A42; C38          |
|              |                          |           |                                      | 009306-20      | A44; D67; E18          | 011311-40   | A42; C38          |
|              |                          |           |                                      | 009331-41      | C7; D71                | 011312-40   | A42; C38          |
|              |                          |           |                                      | 009332-41      | C7; D71                | 011355-45   | C34               |

| Model No. | Section & Page    | Model No. | Section & Page      | Model No. | Section & Page           | Model No.      | Section & Page          |
|-----------|-------------------|-----------|---------------------|-----------|--------------------------|----------------|-------------------------|
| 011356-45 | C34               | 014940-45 | E21                 | 062X      | A16; C4, 16, 20, 28; D68 | 133X           | C4, 18, 20, 28; D17, 68 |
| 011456-45 | E18               | 014941-45 | E21                 |           |                          | 133XM          | C4; D68                 |
| 011475-45 | E18               | 014942-45 | E21                 | 062XM     | C4; D68                  | 133XP          | C4; D68                 |
| 011616-25 | A42; C38          | 014943-45 | E21                 | 062XP     | C4; D68                  | 134X           | C4; D68                 |
| 011617-25 | A42; C38          | 014944-45 | E21                 | 063X      | C4; D68                  | 134XP          | C4; D68                 |
| 011618-25 | A42; C38          | 014945-45 | E21                 | 063XM     | C4; D68                  | 135X           | C4; D17, 68             |
| 011619-25 | A42; C38          | 014946-45 | E21                 | 064X      | C4; D68                  | 135XM          | C4; D68                 |
| 012394-25 | A42; C38          | 014948-45 | E21                 | 064XM     | C4; D68                  | 136X           | C4; D68                 |
| 012395-25 | A42; C38          | 014949-45 | E21                 | 065X      | A16; C4, 16, 20; D68     | 148X           | C13; D76                |
| 012442-40 | A42; C38          | 014950-45 | E21                 | 065XM     | C4; D68                  | 150A           | C11, D75                |
| 012443-40 | A42; C38          | 015294-40 | C37                 | 066X      | C4, 18, 20; D68          | 150X           | C13; D76                |
| 012444-40 | A42; C38          | 015295-40 | C37                 | 067X      | C4, 18, 20; D68          | 151X           | C4; D68                 |
| 012445-40 | A42; C38          | 015550-45 | B5, 15              | 067-HR    | B9                       | 152X           | C4; D68                 |
| 012446-40 | A42; C38          | 015588-40 | B5, 15              | 068X      | C4, 18, 20, 28; D68      | 153X           | C4; D68                 |
| 012447-40 | A42; C38          | 015589-40 | B5, 15              | 069X      | C4; D68                  | 160X           | C5; D69                 |
| 012449-40 | A42; C38          | 016782-40 | B5                  | 098A      | A33; B6, 16; C11         | 161X           | C5; D69                 |
| 012596-45 | A41; C40          | 016783-40 | B5                  | OCS6      | C5, 18, 20; D67, 69      | 162X           | C5; D69                 |
| 012665-45 | B15; D67          | 017182-45 | A41; C40            | OCS6-LT   | C5, 18, 20; D67, 69      | 163X           | C5; D69                 |
| 012915-45 | A41, 44; D67; E18 | 017439-45 | D3, 46              | OCS8      | C5, 18; D67, 69          | 165X           | C4; D16, 68             |
| 013E-36H  | A35               | 017441-45 | D3, 46              | OCS8-LT   | C5, 18; D67, 69          | 172A           | A33; B6, 16; C11        |
| 013E-48H  | A35               | 017442-45 | D3, 46              | 108CSF-RK | A44                      | 183F           | B5                      |
| 013E-60H  | A35               | 017443-45 | D3, 46              | 108HSF-RK | E19                      | 238A           | A42; C38                |
| 013E-72H  | A35               | 017444-45 | D3, 46              | 108S-RK   | E19                      | 238AB          | A42; C38                |
| 013430-45 | A43, C39          | 017670-45 | C35                 | 108SF-RK  | A44, E19                 | 238AC          | A42; C38                |
| 013433-45 | D10               | 017907-45 | D17                 | 108T-RK   | A44, E19                 | 238AH          | A42; C38                |
| 013434-45 | D10               | 018160-40 | D9                  | 108V-RK   | A44, E19                 | 5AFL00         | H22                     |
| 013716-40 | H23               | 018163-20 | A43; C39            | 114X      | A22; B15; C6; D70        | 5AFL06         | H22                     |
| 013787-45 | H22               | 018200-40 | A4, 41              | 115X      | B15; C6; D70             | 5AFL08         | H22                     |
| 013788-45 | H22               | 018227-45 | D9                  | 116X      | B15; C6; D70             | 5AFL10         | H22                     |
| 014046-40 | H22               | 018230-45 | D9                  | 117X      | C6; D70                  | 5AFL12         | H22                     |
| 014061-40 | H22               | 018232-45 | D9                  | 119X      | C4; D16, 68              | 5AFL14         | H22                     |
| 014068-45 | H23               | 018233-45 | D9                  | 119XP     | D16                      | 5AFL18         | H22                     |
| 014086-45 | E18, 32           | 018282-45 | D10                 | 120X      | C4; D68                  | 5DJ-18         | H24                     |
| 014087-45 | E18, 32           | 018292-45 | A41                 | 120XM     | C4; D68                  | 5EF-0001       | H3                      |
| 014131-45 | E18, 32           | 018507-40 | D10                 | 120XP     | C4; D68                  | 5EF-0002       | H3                      |
| 014132-45 | E18, 32           | 035A      | B11                 | 122X      | C4; D16, 68              | 5EF-0003       | H3                      |
| 014145-45 | A42; C38          | 045A      | E22                 | 122XP     | C4; D68                  | 5EF-0004       | H3                      |
| 014152-40 | A42; C38          | 052A      | A33; B6, 16; C11    | 123X      | C4; D68                  | 5EF-0005       | H3                      |
| 014187-45 | E18, 32           | 053A      | A33; B6, 16; C11    | 124X      | C4; D68                  | 5EF-0006       | H3                      |
| 014193-40 | A42; C7, 38; D71  | 054A      | A33; B6, 16; C11    | 125X      | C4; D68                  | 5EF-1D-DG      | H3; P3                  |
| 014194-40 | A42; C7, 38; D71  | 055A      | A33; B6, 16         | 126X      | C4; D68                  | 5EF-1D-DG-4DP  | H3                      |
| 014195-40 | A42; C7, 38; D71  | 056A      | A33; B6, 16         | 127X      | C4; D68                  | 5EF-1D-DGSM    | H3                      |
| 014207-40 | A12, 24           | 057A      | A33; B6, 16; C11    | 128X      | C4; D68                  | 5EF-1D-DG-TMV  | H3                      |
| 014208-40 | A13, 25           | 058A      | A33; B6, 16; C11    | 129X      | C4; D68                  | 5EF-1D-DG-VF05 | H3                      |
| 014209-40 | A14, 26           | 059A      | A33; B6, 16         | 129XP     | C4; D68                  | 5EF-1D-DS      | H3; P3                  |
| 014932-45 | E21               | 059X      | C4, 16, 20, 28; D68 | 130X      | C4; D68                  | 5EF-1D-DS-4DP  | H3                      |
| 014933-45 | E21               | 059XM     | C4; D68             | 131X      | C4; D68                  | 5EF-1D-DS-TMV  | H3                      |
| 014934-45 | E21               | 060X      | C4, 16, 20, 28; D68 | 131XM     | C4; D68                  | 5EF-1D-DS-VF05 | H3                      |
| 014935-45 | E21               | 060XM     | C4; D68             | 131X-ADA  | C4; D68                  | 5EF-1D-WG      | H3; P3                  |
| 014936-45 | E21               | 060XP     | C4; D68             | 132X      | C4; D68                  | 5EF-1D-WG-TMV  | H3                      |
| 014937-45 | E21               | 061X      | C4, 16, 20, 28; D68 | 132XM     | C4; D68                  | 5EF-1D-WG-VF05 | H3                      |
| 014938-45 | E21               | 061XM     | C4; D68             | 132XP     | C4; D68                  | 5EF-1D-WGMM-HG | H3                      |

| Model No.      | Section & Page | Model No.      | Section & Page | Model No.     | Section & Page | Model No.     | Section & Page |
|----------------|----------------|----------------|----------------|---------------|----------------|---------------|----------------|
| 5EF-2D-DS      | H3             | 5F-4DWX05      | H11            | 5F-8WWX00     | H16            | 5PR-1S14      | H8             |
| 5EF-2D-DS-TMV  | H3             | 5F-4DWX06      | H11            | 5F-8WWX00-EE  | H16            | 5PR-1S18      | H8             |
| 5EF-2D-DS-VF05 | H3             | 5F-4DWX08      | H11            | 5F-8WWX03     | H16            | 5PR-2S00      | H5             |
| 5EF-FILTER     | H3             | 5F-4DWX10      | H11            | 5F-8WWX05     | H16            | 5PR-2S00-12WB | H5             |
| 5EF-TMV        | H3             | 5F-4DWX12      | H11            | 5F-8WWX06     | H16            | 5PR-2S00-C    | H5             |
| 5F-1SLX00      | H9             | 5F-4DWX14      | H11            | 5F-8WWX08     | H16            | 5PR-2S06      | H5             |
| 5F-1SLX03      | H9             | 5F-4DWX16      | H11            | 5F-8WWX10     | H16            | 5PR-2S08      | H5             |
| 5F-1SLX05      | H9             | 5F-4DWX18      | H11            | 5F-8WWX12     | H16            | 5PR-2S10      | H5             |
| 5F-1SLX06      | H9             | 5F-4WLX00      | H12            | 5F-8WWX14     | H16            | 5PR-2S12      | H5             |
| 5F-1SLX08      | H9             | 5F-4WLX03      | H12            | 5F-8WWX16     | H16            | 5PR-2S12-C    | H5             |
| 5F-1SLX10      | H9             | 5F-4WLX03-VF05 | H12            | 5F-8WWX18     | H16            | 5PR-2S14      | H5             |
| 5F-1SLX12      | H9             | 5F-4WLX05      | H12            | 5F-VF05       | H22            | 5PR-2S18      | H5             |
| 5F-1SLX14      | H9             | 5F-4WLX06      | H12            | 5GF-8P        | H18            | 5PR-4D00      | H4             |
| 5F-1SLX18      | H9             | 5F-4WLX08      | H12            | 5GF-8P-WS     | H18            | 5PR-4D06      | H4             |
| 5F-2SLX00      | H14            | 5F-4WLX10      | H12            | 5GF-RK        | H17            | 5PR-4D08      | H4             |
| 5F-2SLX03      | H14            | 5F-4WLX12      | H12            | 5GF-W         | H17            | 5PR-4D10      | H4             |
| 5F-2SLX05      | H14            | 5F-4WWX00      | H12            | 5GF-W-F       | H17            | 5PR-4D12      | H4             |
| 5F-2SLX06      | H14            | 5F-4WWX03      | H12            | 5HDL-L        | H21            | 5PR-4D14      | H4             |
| 5F-2SLX08      | H14            | 5F-4WWX05      | H12            | 5HDL-W        | H21            | 5PR-4D18      | H4             |
| 5F-2SLX10      | H14            | 5F-4WWX06      | H12            | 5HR-2HSE-35   | H20            | 5PR-8D00      | H7             |
| 5F-2SLX12      | H14            | 5F-4WWX08      | H12            | 5HR-2HSE-50   | H20            | 5PR-8D06      | H7             |
| 5F-2SLX14      | H14            | 5F-4WWX10      | H12            | 5HR-2SA       | H20, 22        | 5PR-8D08      | H7             |
| 5F-2SLX18      | H14            | 5F-4WWX12      | H12            | 5HR-2SK       | H20            | 5PR-8D10      | H7             |
| 5F-4CLX00      | H10            | 5F-8DLX00      | H15            | 5HR-232       | H19, 20        | 5PR-8D12      | H7             |
| 5F-4CLX03A     | H10            | 5F-8DLX03      | H15            | 5HR-232-01    | H20, 21        | 5PR-8D14      | H7             |
| 5F-4CLX05      | H10            | 5F-8DLX05      | H15            | 5HR-232-09    | H20, 21        | 5PR-8D18      | H7             |
| 5F-4CLX06      | H10            | 5F-8DLX06      | H15            | 5HR-232-01-GH | H20; P6        | 5PR-8W00      | H6             |
| 5F-4CLX08      | H10            | 5F-8DLX08      | H15            | 5HR-232-GH    | H20            | 5PR-8W00-C    | H6             |
| 5F-4CLX10      | H10            | 5F-8DLX10      | H15            | 5HR-242       | H19-21         | 5PR-8W06      | H6             |
| 5F-4CLX12      | H10            | 5F-8DLX12      | H15            | 5HR-242-01    | H20, 21        | 5PR-8W08      | H6             |
| 5F-4CWX00      | H10, 13        | 5F-8DLX14      | H15            | 5HR-242-01-GH | H20; P6        | 5PR-8W10      | H6             |
| 5F-4CWX03A     | H10, 13        | 5F-8DLX18      | H15            | 5HR-242-09    | H20, 21        | 5PR-8W12      | H6             |
| 5F-4CWX05      | H10, 13        | 5F-8DWX00      | H15            | 5HR-242-GH    | H20            | 5PR-8W12-C    | H6             |
| 5F-4CWX05A     | H13            | 5F-8DWX03      | H15            | 5HR-2HSE-35   | H23            | 5PR-8W14      | H6             |
| 5F-4CWX06      | H10, 13        | 5F-8DWX05      | H15            | 5HR-3HSE-50   | H20            | 5PR-8W14-TWV  | H6             |
| 5F-4CWX08      | H10, 13        | 5F-8DWX06      | H15            | 5HR-3SK       | H20            | 5PR-8W18      | H6             |
| 5F-4CWX10      | H10, 13        | 5F-8DWX08      | H15            | 5HR-342       | H19, 20        | 5R-18         | H23            |
| 5F-4CWX12      | H10, 13        | 5F-8DWX10      | H15            | 5HR-342-01-GH | H20            | 5SL-1000      | H17            |
| 5F-4DLX00      | H11            | 5F-8DWX12      | H15            | 5HR-342-09-GH | H20            | 5SL-1001      | H17            |
| 5F-4DLX03      | H11            | 5F-8DWX14      | H15            | 5HR-342-GH    | H20            | 5SP-03        | H24            |
| 5F-4DLS05      | H11            | 5F-8DWX18      | H15            | 5HR-HDL       | H22            | 5SP-03A       | H24            |
| 5F-4DLX05      | H11            | 5F-8WLX00      | H16            | 5HR-HDL-L     | H22            | 5SP-05        | H24            |
| 5F-4DLX06      | H11            | 5F-8WLX00-EE   | H16            | 5HR-HDL-W     | H22            | 5SP-05A       | H24            |
| 5F-4DLX08      | H11            | 5F-8WLX03      | H16            | 5HR-SP-35     | H20            | 5SP-06        | H24            |
| 5F-4DLX10      | H11            | 5F-8WLX05      | H16            | 5HR-SP-50     | H20            | 5SP-06A       | H24            |
| 5F-4DLX12      | H11            | 5F-8WLX06      | H16            | 5HSE44        | H23            | 5SP-08        | H24            |
| 5F-4DLX14      | H11            | 5F-8WLX08      | H16            | 5PR-1S00      | H8             | 5SP-08A       | H24            |
| 5F-4DLX16      | H11            | 5F-8WLX10      | H16            | 5PR-1S00-60   | H8             | 5SP-10        | H24            |
| 5F-4DLX18      | H11            | 5F-8WLX12      | H16            | 5PR-1S06      | H8             | 5SP-10A       | H24            |
| 5F-4DWX00      | H11            | 5F-8WLX14      | H16            | 5PR-1S08      | H8             | 5SP-12        | H24            |
| 5F-4DWX03      | H11            | 5F-8WLX16      | H16            | 5PR-1S10      | H8             | 5SP-12A       | H24            |
| 5F-4DWS05      | H11            | 5F-8WLX18      | H16            | 5PR-1S12      | H8             | 5SP-14        | H24            |

| Model No.    | Section & Page  | Model No.       | Section & Page   | Model No.       | Section & Page      | Model No.       | Section & Page |
|--------------|-----------------|-----------------|------------------|-----------------|---------------------|-----------------|----------------|
| 5SP-16       | H24             | B-0044-HMS      | A35; B16         | B-0104-A        | A40; B6             | B-0113-ADF08-B  | A12            |
| 5SP-18       | H24             | B-0044-R        | A35; B16         | B-0104-D        | A40; D42            | B-0113-ADF10-B  | A12            |
| 5SV          | H22, 23; P6     | B-0044-RML      | A35; B16         | B-0104-H        | A35; B11            | B-0113-ADF10-BR | A12            |
| 5SV-B        | H19, 23         | B-0044-RMS      | A35; B16         | B-0105          | A31                 | B-0113-ADF12    | A12            |
| 5SV-C        | H23             | B-0044-RV9      | A35; B16         | B-0106          | A31                 | B-0113-ADF12-B  | A12            |
| 5SV-H        | H19, 21, 23     | B-0044-V9       | A35; B16         | B-0107          | A20, 37, 39; E5, 18 | B-0113-B        | A12            |
| 5SV-H-RK     | H19             | B-0048-H        | A35; B16         | B-0107-035      | A20, 38             | B-0113-B-SWV    | A12            |
| 5SV-RK       | H23             | B-0050-H        | A35; B16         | B-0107-A        | A37; B6             | B-0113-B-TEE    | A12, 23        |
| 5SV-WH       | H21, 23         | B-0054-H        | A35; B16         | B-0107-B        | A37                 | B-0113-B08      | A6             |
| 5WG-1000-01  | H19, 21, 23; P6 | B-0054-H2A      | A35; B16         | B-0107-C        | A20, 39             | B-0113-B08C     | A7             |
| AG-5C        | F7              | B-0054-V        | A35; B16         | B-0107-C35      | A38                 | B-0113-B9       | A12            |
| AG-5D        | F7              | B-0056-H        | A35; B16         | B-0107-C90      | A38                 | B-0113-BC       | A24            |
| AG-5E        | F7              | B-0056-H2A      | A35; B16         | B-0107-CM       | A39                 | B-0113-BC-V9    | A24            |
| AG-5F        | F7              | B-0056-HMS      | A35; B16         | B-0107-J        | A4, 20, 27, 38, 39  | B-0113-BJ       | A24, 27        |
| AG-6C        | F7              | B-0060-H        | A35; B16         | B-0107-M        | A37                 | B-0113-BM       | A12            |
| AG-6D        | F7              | B-0068-H        | A35; B16         | B-0107-QD       | A37                 | B-0113-BR       | A12            |
| AG-6E        | F7              | B-0068-H2A      | A35; B16         | B-0108          | A36, 38; E5, 18     | B-0113-BY       | A12            |
| AG-6F        | F7              | B-0068-HML      | A35; B16         | B-0108-C        | A36, 40             | B-0113-C        | A24            |
| AG-7D        | F7              | B-0068-HMS      | A35; B16         | B-0108-H        | A36; E5, 18         | B-0113-CR       | A12            |
| AG-8C-MF     | F7              | B-0068-R        | A35              | B-0109-01       | A28, 38             | B-0113-CR-B     | A12            |
| AG-8D-FF     | F7              | B-0072-H        | A35; B16         | B-0109-01M      | A38                 | B-0113-CR-BVB-A | A24; B6        |
| AG-8D-MF     | F7              | B-0080-H        | A35; B16         | B-0109-01VR     | A38                 | B-0113-CR-V-B   | A12            |
| AG-8E-MF     | F7              | B-0096-H        | A35; B16         | B-0109-02       | A38                 | B-0113-CR-V-BC  | A24            |
| AG-KC        | F7              | B-0100          | A30              | B-0109-03       | A38                 | B-0113-LN       | A12            |
| AG-KD        | F7              | B-0100-08       | A30              | B-0109-03VR     | A38                 | B-0113-M        | A12            |
| AG-KE        | F7              | B-0100-08C      | A30              | B-0109-04       | A38                 | B-0113-V-BC     | A24            |
| AG-KF        | F7              | B-0100-32H      | A30              | B-0109-05       | A38                 | B-0113-Y        | A12            |
| AG-RC        | F7              | B-0100-C        | A30, 38          | B-0109-06       | A38                 | B-0114-01       | A21            |
| AW-5B        | F10             | B-0100-C-SWV    | A30              | B-0109-07       | A38                 | B-0114-01B      | A21            |
| AW-5C        | F10             | B-0100-CM       | A38              | B-0110          | A38                 | B-0114-02       | A21            |
| AW-5D        | F10             | B-0100-J        | A31, 41          | B-0111          | A19                 | B-0114-RK       | A44            |
| B-0015-H     | A35; B16        | B-0100-J-SWV    | A41              | B-0111-02       | A19                 | B-0117          | A28            |
| B-0020-H     | A20, 35; B16    | B-0100-M        | A30              | B-0111-B        | A19                 | B-0119          | A38            |
| B-0020-H2A   | A35; B16        | B-0100-SWV      | A4, 30           | B-0111-BC       | A19                 | B-0121          | A19            |
| B-0020-HM    | A35; B16        | B-0101          | A30              | B-0111-BR       | A19                 | B-0122          | A19            |
| B-0020-R     | A35; B16        | B-0101-A        | A30              | B-0111-C        | A19                 | B-0123          | A13            |
| B-0023-H     | A35; B16        | B-0101-E72-053A | A30              | B-0112          | A19                 | B-0123-08       | A8             |
| B-0024-H     | A35; B16        | B-0101-ENP      | A30              | B-0113          | A12                 | B-0123-08C      | A9             |
| B-0026-H     | A35; B16        | B-0102          | B6               | B-0113-01BY     | A12                 | B-0123-12CRCVBC | A25            |
| B-0026-H2A   | A35; B16        | B-0102-A        | B6               | B-0113-079X-V-B | A12                 | B-0123-A06-B08  | A8             |
| B-0026-HM    | A35; B16        | B-0102-B        | B6               | B-0113-08       | A6                  | B-0123-A10-08   | A8             |
| B-0028-H     | A35; B16        | B-0102-C        | B6               | B-0113-08C      | A7                  | B-0123-A10-08C  | A9             |
| B-0028-H2A   | A35; B16        | B-0103          | C10; D74         | B-0113-12-CRVB  | A12                 | B-0123-A12-08   | A8             |
| B-0032-H     | A35; B16        | B-0103-01       | C10; D74         | B-0113-12-CRVBC | A24                 | B-0123-A12-08C  | A9             |
| B-0036-H     | A35; B16        | B-0103-F03      | C10; D74         | B-0113-A06-B08C | A7                  | B-0123-A12-B08  | A8             |
| B-0040-H2A   | A35; B16        | B-0103-F05      | C10; D74         | B-0113-A10-08C  | A7                  | B-0123-A12-B08C | A9             |
| B-0044-H     | A35; B16        | B-0103-F07      | C10; D74         | B-0113-A12-08C  | A7                  | B-0123-A12-V-BC | A25            |
| B-0044-H2A   | A35; B16        | B-0103-F10      | C10; D74         | B-0113-A12B-TEE | A23                 | B-0123-ADF06-B  | A13            |
| B-0044-H2AML | A35; B16        | B-0103-F12      | C10; D74         | B-0113-A12-B08  | A6                  | B-0123-ADF08    | A13            |
| B-0044-H2AMS | A35; B16        | B-0103-F15      | C10; D74         | B-0113-A12-B08C | A7                  | B-0123-ADF08-B  | A13            |
| B-0044-HF    | A35; B16        | B-0103-F20      | C10; D74         | B-0113-A12-V-BC | A24                 | B-0123-ADF10-B  | A13            |
| B-0044-HML   | A35; B16        | B-0104          | A40; B6, 16; D42 | B-0113-A12B-TEE | A12                 | B-0123-ADF12    | A13            |

| Model No.       | Section & Page | Model No.       | Section & Page | Model No.       | Section & Page | Model No.       | Section & Page |
|-----------------|----------------|-----------------|----------------|-----------------|----------------|-----------------|----------------|
| B-0123-ADF12-B  | A13            | B-0133-A08-B08  | A10            | B-0133-CR-C     | A26            | B-0168          | A32            |
| B-0123-B        | A13            | B-0133-A08-B08C | A11            | B-0133-CR-V-BCE | A26            | B-0169          | A32            |
| B-0123-B08      | A8             | B-0133-A10-08C  | A11            | B-0133-CR-V-BE  | A14            | B-0169-01       | A32            |
| B-0123-B08C     | A9             | B-0133-A10-B08  | A10            | B-0133-EE-B     | A14            | B-0169-102C-96H | A32            |
| B-0123-B9       | A13            | B-0133-A10-B08C | A11            | B-0133-EE-BM    | A14            | B-0170          | A32            |
| B-0123-BC       | A25            | B-0133-A12-08   | A10            | B-0133-EE-CR-8C | A11            | B-0171          | A20            |
| B-0123-BM       | A13            | B-0133-A12-08C  | A11            | B-0133-LB       | A14            | B-0171-01       | A20            |
| B-0123-C        | A25            | B-0133-A12-B08  | A10            | B-0133-M        | A14            | B-0173          | A17            |
| B-0123-CR       | A13            | B-0133-A12-B08C | A11            | B-0133-V-B      | A14            | B-0173-B        | A17            |
| B-0123-CR-B     | A13            | B-0133-A12-B8CX | A11            | B-0133-V-B-68H  | A14            | B-0174          | A21            |
| B-0123-CR-BC    | A25            | B-0133-A12-BC4  | A26            | B-0133-V-BC     | A26            | B-0175          | A32            |
| B-0123-CR-C     | A25            | B-0133-A12-CCB  | A15            | B-0134          | A21            | B-0175-01       | A32            |
| B-0123-CR-CCV-B | A13            | B-0133-A12B-TEE | A15, 23        | B-0134-B        | A21            | B-0175-02       | A32            |
| B-0123-CR-CCVBC | A25            | B-0133-A14-CCB  | A15            | B-0137          | A28            | B-0175-03       | A32            |
| B-0123-M        | A13            | B-0133-ADF06    | A15            | B-0140-01       | A29            | B-0176          | A32            |
| B-0123-V-BC     | A25            | B-0133-ADF06-B  | A15            | B-0140-08       | A29            | B-0176-ER       | A32            |
| B-0124          | A21            | B-0133-ADF08    | A15            | B-0141          | A20            | B-0177          | A33            |
| B-0126          | A29            | B-0133-ADF08-B  | A15            | B-0143          | A16            | B-0178          | A33            |
| B-0126-CR       | A29            | B-0133-ADF10-B  | A15            | B-0143-01       | A16            | B-0180          | B11            |
| B-0126-R        | A29            | B-0133-ADF10-BR | A15            | B-0144-H        | A35; B16       | B-0182          | B11            |
| B-0126-VB       | A29            | B-0133-ADF12    | A15            | B-0152-CR-C-TEE | A29            | B-0187          | B12            |
| B-0126-VBR      | A29            | B-0133-ADF12-B  | A15            | B-0153          | A16            | B-0188          | B12            |
| B-0127          | A28            | B-0133-ADF12-BC | A26            | B-0155          | A37            | B-0190          | B11            |
| B-0128-VB       | A29            | B-0133-ADF12-BM | A15            | B-0155-05       | A37            | B-0192          | B11            |
| B-0129          | A29            | B-0133-ADF12-BR | A15            | B-0155-05LN     | A37            | B-0193          | B11            |
| B-0129-VB       | A29            | B-0133-ADF14-B  | A15            | B-0155-064X     | A37            | B-0195          | B12            |
| B-0130          | A29            | B-0133-ADF14-BR | A15            | B-0155-CR-LN    | A37            | B-0196          | B12            |
| B-0131          | A19            | B-0133-ADF16-BR | A15            | B-0155-LN       | A20, 37        | B-0198-F03      | C10; D74, 82   |
| B-0131-ADF12-BC | A19            | B-0133-ADF-LN   | A15            | B-0155-LNEZ     | A37            | B-0198-F05      | C10; D74, 82   |
| B-0131-ADF14-B  | A19            | B-0133-B        | A14            | B-0155-LNM      | A37            | B-0198-F07      | C10; D74, 82   |
| B-0131-B        | A19            | B-0133-B-02     | A14            | B-0155-M        | A37            | B-0198-F10      | C10; D74, 82   |
| B-0131-BC       | A19            | B-0133-B-SWV    | A14            | B-0156          | A20, 37        | B-0198-F12      | C10; D74, 82   |
| B-0131-BC-28H   | A19            | B-0133-B-TEE    | A14, 23        | B-0156-05       | A37            | B-0198-F15      | C10; D74, 82   |
| B-0131-BC-425   | A19            | B-0133-B08      | A10            | B-0156-CR       | A37            | B-0198-F20      | C10; D74, 82   |
| B-0131-C        | A28            | B-0133-B08C     | A11            | B-0156-EZ       | A37            | B-0199-01       | C8; D72        |
| B-0131-CR-B     | A19            | B-0133-B9       | A14            | B-0156-M        | A37            | B-0199-01-N035  | C9; D73, 83    |
| B-0131-CR-B08C  | A19            | B-0133-B9M      | A14            | B-0156-VF22     | A37            | B-0199-01-N05   | C9; D73, 83    |
| B-0131-CR-B28H  | A19            | B-0133-BC       | A26            | B-0157          | A37            | B-0199-01-WS    | C8; D72, 82    |
| B-0132          | A19            | B-0133-BJ       | A27            | B-0157-05       | A37            | B-0199-01F--    | C8; D72, 82    |
| B-0133          | A14            | B-0133-BM       | A14            | B-0157-CR       | A37            | B-0199-02       | C8; D72        |
| B-0133-01       | A14            | B-0133-BQD      | A14            | B-0157-M        | A37            | B-0199-02-N035  | C9; D73, 83    |
| B-0133-01-36H   | A14            | B-0133-BR       | A14            | B-0158          | A37            | B-0199-02-N05   | C9; D73, 83    |
| B-0133-01-CR    | A14            | B-0133-BR-B     | A14            | B-0158-CR       | A37            | B-0199-02-WS    | C8; D72, 82    |
| B-0133-01-CR-8C | A11            | B-0133-C        | A26            | B-0159          | A38            | B-0199-02F--    | C8; D72, 82    |
| B-0133-08       | A10            | B-0133-CC       | A14            | B-0160          | A31            | B-0199-03       | C8; D72        |
| B-0133-08C      | A11            | B-0133-CCB      | A14            | B-0163          | A16            | B-0199-03-N035  | C9; D73, 83    |
| B-0133-12CRVBCE | A26            | B-0133-CCB-CR   | A14            | B-0165          | A31            | B-0199-03-N05   | C9; D73, 83    |
| B-0133-12-CRVBE | A13            | B-0133-CCB-M    | A14            | B-0165-C35-68H  | A37            | B-0199-03-WS    | C8; D72, 82    |
| B-0133-A06-08   | A10            | B-0133-CR       | A14            | B-0166          | A40            | B-0199-03F--    | C8; D72, 82    |
| B-0133-A06-08C  | A11            | B-0133-CR-B     | A14            | B-0167          | A32            | B-0199-04       | C8; D72        |
| B-0133-A08-08   | A10            | B-0133-CR-B08C  | A11            | B-0167-01       | A32            | B-0199-04-N035  | C9; D73, 83    |
| B-0133-A08-08C  | A11            | B-0133-CR-BC    | A26            | B-0167-HH       | A32            | B-0199-04-N05   | C9; D73, 83    |

| Model No.       | Section & Page | Model No.      | Section & Page | Model No.       | Section & Page    | Model No.       | Section & Page |
|-----------------|----------------|----------------|----------------|-----------------|-------------------|-----------------|----------------|
| B-0199-04-WS    | C8; D72, 82    | B-0205-LNM     | C15            | B-0227-CC       | C17, 21           | B-0233-02       | C23            |
| B-0199-05-N035  | C9; D73, 83    | B-0205-M       | C15, 16        | B-0227-CR       | C17               | B-0233-03       | C23            |
| B-0199-05-N05   | C9; D73, 83    | B-0206         | C15, 16        | B-0227-M        | C17, 21           | B-0233-04       | C23            |
| B-0199-05-WS    | C8; D72, 82    | B-0206-CR      | C15, 16        | B-0228          | C17, 21           | B-0234-BST      | C19, 22        |
| B-0199-06       | C8; D72        | B-0206-M       | C15, 16        | B-0228-CR       | C17, 21           | B-0234-EE       | C19, 22        |
| B-0199-06-N035  | C9; D73, 83    | B-0207         | C15, 16        | B-0228-M        | C17, 21           | B-0234-EELN     | C22            |
| B-0199-06-N05   | C9; D73, 83    | B-0207-CR      | C15, 16        | B-0230          | C17, 22           | B-0235          | C17, 23        |
| B-0199-06-WS    | C8; D72, 82    | B-0207-M       | C15, 16        | B-0230-01       | C22               | B-0235-CC       | C17            |
| B-0199-06F--    | C8; D72, 82    | B-0208         | C15, 18        | B-0230-01-QT    | C22               | B-0235-01       | C19, 23        |
| B-0199-07       | C8; D72        | B-0208-CR      | C15, 18        | B-0230-02       | C17               | B-0235-LN       | C17, 19, 23    |
| B-0199-07-N035  | C9; D73, 83    | B-0208-CR-HW   | C15, 18        | B-0230-14-CR-SC | C22               | B-0235-LNM      | C23            |
| B-0199-07-N05   | C9; D73, 83    | B-0210         | C15, 20        | B-0230-132XA-CR | C22               | B-0236          | C17, 23        |
| B-0199-07-WS    | C8; D72, 82    | B-0210-060X    | C15, 20        | B-0230-132XA-EL | C22               | B-0236-CR       | C17            |
| B-0199-07F--    | C8; D72, 82    | B-0210-LN      | C15, 20        | B-0230-134XA-CR | C22               | B-0236-M        | C17, 23        |
| B-0199-08       | C8; D72        | B-0210-LNM     | C15            | B-0230-BST      | C17, 22           | B-0237          | C17, 23        |
| B-0199-08-N035  | C9; D73, 83    | B-0211         | C15, 20        | B-0230-CC       | C17, 22           | B-0238          | C17            |
| B-0199-08-N05   | C9; D73, 83    | B-0212         | C15, 20        | B-0230-CCLN     | C22               | B-0240          | C20, 23        |
| B-0199-08-WS    | C8; D72, 82    | B-0216         | C15, 20        | B-0230-CCLNM    | C22               | B-0240-LN       | C20            |
| B-0199-08F--    | C8; D72, 82    | B-0216-177F    | C20            | B-0230-CR       | C17, 22           | B-0241          | C20, 23        |
| B-0199-09       | C8; D72        | B-0220         | C17, 21        | B-0230-CR-02    | C22               | B-0242          | C20, 23        |
| B-0199-09-N035  | C9; D73, 83    | B-0220-CC      | C17, 21        | B-0230-CR-M     | C22               | B-0243          | C20, 23        |
| B-0199-09-N05   | C9; D73, 83    | B-0220-EE      | C17, 21        | B-0230-EE       | C17, 22           | B-0245          | C19, 21        |
| B-0199-09-WS    | C8; D72, 82    | B-0220-EE-061X | C17, 21        | B-0230-EE-061X  | C17, 22           | B-0246          | C19, 21        |
| B-0199-10-N035  | C9; D73, 83    | B-0220-EELN    | C21            | B-0230-K        | A44; C11, 40; D65 | B-0247          | C19, 21        |
| B-0199-10-N05   | C9; D73, 83    | B-0220-LN      | C17, 19, 21    | B-0230-KIT      | C11, 40; D75      | B-0250          | C15, 18        |
| B-0199-10-WS    | C8; D72, 82    | B-0220-LNCC    | C21            | B-0230-LN       | C17, 19, 22       | B-0251          | C15, 18        |
| B-0199-21       | C9; D73, 83    | B-0220-LNCCM   | C21            | B-0230-LNM      | C22               | B-0252          | C15, 18        |
| B-0199-21-VRF   | C9; D73, 83    | B-0220-LNM     | C21            | B-0230-M        | C22               | B-0255          | C15, 18        |
| B-0199-21-VRM   | C9; D73, 83    | B-0220-M       | C17, 21        | B-0230-TZ-CR-SC | A23; C12, 22      | B-0256          | C18            |
| B-0199-22       | C10; D74       | B-0221         | C17, 21        | B-0231          | C17, 22           | B-0257          | C15, 18        |
| B-0199-25       | C9; D73, 83    | B-0221-01      | C17, 21        | B-0231-02       | C17, 22           | B-0260          | C15, 20        |
| B-0199-26       | C9; D73, 83    | B-0221-CC      | C17, 21        | B-0231-BB-CR    | C17               | B-0260-CR-177F  | C20            |
| B-0199-27       | C9; D73, 83    | B-0221-CC-CR   | C17, 21        | B-0231-BST      | C17, 22           | B-0261          | C15, 20        |
| B-0199-28       | C9; D73, 83    | B-0221-CR      | C17            | B-0231-CC       | C17, 22           | B-0262          | C20            |
| B-0199-29       | C9; D73, 83    | B-0221-EE      | C17, 21        | B-0231-CC-CR    | C17, 22           | B-0265          | C19, 22        |
| B-0199-29VR     | C9; D73, 83    | B-0221-KK      | C17, 21        | B-0231-CCM      | C17, 22           | B-0265-BST      | C19, 22        |
| B-0199-VR-KEY   | C10; D74       | B-0221-M       | C17, 21        | B-0231-CR       | C17, 22           | B-0266          | C19, 22        |
| B-0200          | C15, 16        | B-0222         | C17, 21        | B-0231-CR-M     | C17, 22           | B-0266-BST      | C19, 22        |
| B-0200-60H-VB   | C15            | B-0222-CC      | C17, 21        | B-0231-EE       | C17, 22           | B-0266-CR-SC    | C19            |
| B-0200CR-PRISON | C15, 16        | B-0222-EE      | C17, 21        | B-0231-EE-CR    | C17, 22           | B-0267          | C19, 22        |
| B-0200-LN       | C15, 16, 18    | B-0222-M       | C17, 21        | B-0231-EEM      | C17, 22           | B-0267-BST      | C19, 22        |
| B-0200-LNM      | C15            | B-0225         | C17, 21        | B-0231-M        | C17, 22           | B-0270          | B7             |
| B-0200-M        | C15, 16        | B-0225-CC      | C17, 21        | B-0231-VF22-EL  | C22               | B-0270-144XVF22 | B7             |
| B-0201          | C15, 16        | B-0225-CR      | C17, 21        | B-0231-WH4      | C17, 22           | B-0271          | B7             |
| B-0201-CR       | C15, 16        | B-0225-CR-LN   | C21            | B-0232          | C17, 22           | B-0273          | E22            |
| B-0201-M        | C15, 16        | B-0225-EELN    | C21            | B-0232-BST      | C17, 22           | B-0273-QD       | E22            |
| B-0202          | C15, 16        | B-0225-LN      | C17, 19, 21    | B-0232-CC       | C17, 22           | B-0275          | B7             |
| B-0202-CR       | C15, 16        | B-0225-LNM     | C21            | B-0232-CC-CR    | C17, 22           | B-0276          | B7             |
| B-0205          | C15, 16        | B-0225-M       | C17, 21        | B-0232-EE       | C17               | B-0277          | B7             |
| B-0205-44H-VB   | C15            | B-0226         | C17, 21        | B-0232-ELK      | C17               | B-0281          | B7             |
| B-0205-60H-VB   | C15            | B-0226-CC      | C17, 21        | B-0232-M        | C17, 22           | B-0284          | B13            |
| B-0205-LN       | C15, 16, 18    | B-0227         | C17, 21        | B-0233-01       | C23               | B-0286-LNEZ     | A22, B12       |

**A** = Pre-Rinse    **B** = Pot, Kettle and Glass Filler    **C** = Faucets and Components    **D** = Institutional, Medical and Lab Products  
**E** = Washdown Stations    **F** = Safe-T-Link    **G** = Emergency Equipment    **H** = Equip    **P** = Pet-Care Products

| Model No.      | Section & Page | Model No.        | Section & Page | Model No.  | Section & Page | Model No.     | Section & Page |
|----------------|----------------|------------------|----------------|------------|----------------|---------------|----------------|
| B-0287         | A22; B12       | B-0316-LN        | C24            | B-0350     | D27            | B-0447        | C14; D78       |
| B-0287-427-B   | A22; B12       | B-0318-02        | B9             | B-0350-04  | D27            | B-0448        | C14; D78       |
| B-0289         | A22; B13       | B-0318-03        | B9             | B-0352     | D27            | B-0449        | C14; D78       |
| B-0290         | B13            | B-0319           | B9             | B-0352-04  | D27            | B-0452        | C6; D70        |
| B-0290-01      | B13            | B-0319-01        | B7             | B-0353-04  | D27            | B-0455        | D50            |
| B-0290-04      | B13            | B-0319-02        | B7             | B-0355-04  | D27            | B-0455-04     | D50            |
| B-0290-14      | B13            | B-0319-03        | B7             | B-0362     | D34; E24       | B-0456        | D50            |
| B-0290-K       | B15            | B-0319-04        | B7             | B-0405-02  | C5; D69        | B-0456-04     | D50            |
| B-0290-LN      | B13            | B-0320           | C25            | B-0405-03  | C5; D69        | B-0457        | D50            |
| B-0290-PRISON  | B14            | B-0320-LN        | C25            | B-0405-04  | C5; D69        | B-0458        | D50            |
| B-0291         | B13            | B-0321           | C19, 24        | B-0406-02  | C5; D69        | B-0466        | C40; D67       |
| B-0292         | B13            | B-0321-CC        | C19, 24        | B-0406-03  | C5; D69        | B-0467        | C40; D67       |
| B-0293         | B13, 14        | B-0321-CC-CR     | C19, 24        | B-0406-04  | C5; D69        | B-0473        | D29            |
| B-0293-01      | B14            | B-0321-NPL       | C24            | B-0407-02  | C5; D69        | B-0474        | D29            |
| B-0293-14      | B14            | B-0322           | D27            | B-0407-03  | C5; D69        | B-0475        | D29            |
| B-0294         | B13, 14        | B-0322-04        | D27            | B-0407-04  | C5; D69        | B-0475-LKS    | D29            |
| B-0295         | B13, 14        | B-0323-04        | D27            | B-0408-02  | C5; D69        | B-0491-01     | D33; E23       |
| B-0296         | B14            | B-0324-04        | D27            | B-0408-03  | C5; D69        | B-0492-01     | D33; E23       |
| B-0296-BKT     | B14            | B-0325           | C19, 24        | B-0408-04  | C5; D69        | B-0502        | D28; P5        |
| B-0296-LN      | B14            | B-0325-A22       | C24            | B-0409-02  | C5; D69        | B-0502-LKS    | D28            |
| B-0296-PRISON  | B14            | B-0325-CC-CR     | C24            | B-0409-03  | C5; D69        | B-0502-SL     | D28            |
| B-0297         | B14            | B-0325-CC-CR-WH4 | C24            | B-0409-04  | C5; D69        | B-0504        | D28            |
| B-0298         | B14            | B-0325-CR        | C24            | B-0412     | C6; D70        | B-0504-01     | D28            |
| B-0300         | C25            | B-0325-LN        | C24            | B-0412-F03 | C6; D70, 80    | B-0504-02     | D28            |
| B-0300-102A-CR | B8             | B-0325-LNCC      | C24            | B-0412-F05 | C6; D70, 80    | B-0504-03     | D28            |
| B-0300-CR      | C25            | B-0325-WH4       | C19            | B-0412-F07 | C6; D70, 80    | B-0504-03SL   | D28            |
| B-0300-LN      | C25            | B-0326           | C26            | B-0412-F10 | C6; D70, 80    | B-0504-LKS    | D28            |
| B-0300-VR      | C25            | B-0326-LN        | C26            | B-0412-F12 | C6; D70, 80    | B-0504-SL     | D28            |
| B-0300-VR4     | C25            | B-0328-CR-VF05   | C24            | B-0412-F15 | C6; D70, 80    | B-0505        | D28            |
| B-0300-WH4     | C25            | B-0330           | C26            | B-0412-F16 | C6; D70, 80    | B-0505-SL     | D28            |
| B-0301         | C18, 23        | B-0330-01-WH4    | C26            | B-0412-F20 | C6; D70, 80    | B-0507        | D28            |
| B-0301-01      | C23            | B-0330-04        | D27            | B-0412-M   | C6; D70        | B-0507-02     | D28            |
| B-0301-01-QT   | C23            | B-0330-BST       | C26            | B-0413     | C6; D70        | B-0508        | D28            |
| B-0301-VR      | C23            | B-0330CR-PRISON  | C26            | B-0413-M   | C6; D70        | B-0508-01     | D28            |
| B-0301-WH4     | C23            | B-0330-LN        | C26            | B-0413-M50 | C6; D70        | B-0508-02     | D29            |
| B-0305         | C25            | B-0331           | C19, 24        | B-0414     | C6; D70        | B-0508-LKS    | D29            |
| B-0305-01      | C25            | B-0331-BST       | C19, 24        | B-0414-M   | C6; D70        | B-0509        | D29            |
| B-0305-03      | C25            | B-0331-CC        | C19, 24        | B-0415     | D64            | B-0512        | E20            |
| B-0305-102A-CR | B8             | B-0331-CR        | C24            | B-0416     | D64            | B-0513        | E20            |
| B-0305-CR      | C25            | B-0331-VF22-EL   | C24            | B-0418     | D64            | B-0520        | D30            |
| B-0305-LN      | C25            | B-0340           | C26            | B-0425     | A40; C11; D75  | B-0520-01     | D30            |
| B-0305-QT-WS   | C25            | B-0340-LN        | C26            | B-0425-M   | C11; D75       | B-0520-F03    | D30            |
| B-0305-VR      | C25            | B-0341           | C19, 23        | B-0426     | C11; D75       | B-0520-F05    | D30            |
| B-0305-VR4     | C25            | B-0341-CCC       | C23            | B-0427     | C11; D75       | B-0520-F07    | D30            |
| B-0306         | C18, 23        | B-0342           | C26            | B-0428     | C11; D75       | B-0520-F10    | D30            |
| B-0308-QT      | C23            | B-0342CR-PRISON  | C26            | B-0429     | C11; D75       | B-0520-F12    | D30            |
| B-0310         | C25            | B-0342-LN        | C26            | B-0440     | C14; D78       | B-0520-F15    | D30            |
| B-0310-LN      | C25            | B-0343           | C20, 23        | B-0441     | C14; D78       | B-0520-F20    | D30            |
| B-0312         | C20, 23        | B-0344           | C21            | B-0442     | C14; D78       | B-0520-F1     | D30            |
| B-0315         | C25            | B-0345           | C26            | B-0443     | C14; D78       | B-0520-F1-F03 | D30            |
| B-0315-LN      | C25            | B-0345-LN        | C26            | B-0445     | C14; D78       | B-0520-F1-F05 | D30            |
| B-0316         | C24            | B-0346           | C24            | B-0446     | C14; D78       | B-0520-F1-F07 | D30            |

| Model No.     | Section & Page | Model No.       | Section & Page | Model No.      | Section & Page | Model No.     | Section & Page |
|---------------|----------------|-----------------|----------------|----------------|----------------|---------------|----------------|
| B-0520-F1-F10 | D30            | B-0618-02       | D39; E28       | B-0667-POL     | D37; E25       | B-0702        | D39; E28       |
| B-0520-F1-F12 | D30            | B-0618-03       | D39; E28       | B-0667-POLM    | D37; E25       | B-0703        | D39; E28       |
| B-0520-F1-F15 | D30            | B-0650-01       | D33; E23       | B-0667-RGH     | D37; E25       | B-0704        | D39; E28       |
| B-0520-F1-F20 | D30            | B-0650-02       | D33; E23       | B-0667-RGHM    | D37; E25       | B-0706        | D39; E28       |
| B-0521        | D30; P5        | B-0650-BSTP     | D33; E23       | B-0667-RGHM24  | D37; E25       | B-0707        | D39; E28       |
| B-0522        | D30            | B-0650-BSTR     | D33; E23       | B-0668-POL     | D37; E25       | B-0708        | D39; E28       |
| B-0523        | D30            | B-0650-POL      | D33; E23       | B-0668-RGH     | D37; E25       | B-0709        | D39; E28       |
| B-0524        | D30            | B-0650-RGH      | D33; E23       | B-0669-01      | D37; E26       | B-0709-JJ     | D39; E28       |
| B-0525        | D30            | B-0651-06       | D34; E24       | B-0669-POL     | D37; E26       | B-0710        | D40; E29       |
| B-0526-2      | D30            | B-0651-POL      | D34; E24       | B-0669-RGH     | D37; E26       | B-0710-01     | D40; E29       |
| B-0526-3      | D29            | B-0651-RGH      | D34; E24       | B-0670-01      | D37; E26       | B-0710-WS     | D40; E29       |
| B-0526-4      | D29            | B-0652          | D34; E24       | B-0670-POL     | D37; E26       | B-0711        | D40; E29       |
| B-0526-5      | D29            | B-0653          | D39; E28       | B-0670-RGH     | D37; E26       | B-0712        | D24            |
| B-0527        | D29; P5        | B-0654          | D39; E28       | B-0671-POL     | D37; E26       | B-0712-01     | D24; E29       |
| B-0528        | D30            | B-0655-01       | D34; E24       | B-0671-RGH     | D37; E26       | B-0712-01VRS  | D24; E29       |
| B-0529        | D30            | B-0655-02       | D34; E24       | B-0672-POL     | D37; E26       | B-0712-4DP    | D24            |
| B-0529-01     | D30            | B-0655-BSTP     | D32; E24       | B-0672-RGH     | D37; E26       | B-0712-ESC    | D24            |
| B-0535        | D31            | B-0655-BSTR     | D32; E24       | B-0673-POL     | D37; E26       | B-0712-F05    | D24            |
| B-0536        | D31            | B-0655-POL      | D32; E24       | B-0673-RGH     | D37; E26       | B-0712-PA     | D22; E29       |
| B-0541        | B7             | B-0655-RGH      | D32; E24       | B-0674-BSTP    | D38; E27       | B-0712-VF05   | D24            |
| B-0542        | B7             | B-0656-POL      | D32; E24       | B-0674-BSTPM   | D38; E27       | B-0712-WA     | D26            |
| B-0546        | D30            | B-0656-RGH      | D34; E24       | B-0674-BSTR    | D38; E27       | B-0712-WS     | D24            |
| B-0575        | B8             | B-0657          | D35; E24       | B-0674-BSTRM   | D38; E27       | B-0713        | D24; E29       |
| B-0576        | B8             | B-0657-01       | D35; E24       | B-0674-POL     | D38; E27       | B-0715        | D40; E28       |
| B-0577        | B8             | B-0657-BST      | D35; E24       | B-0674-POLM    | D38; E27       | B-0716        | D40; E28       |
| B-0577-09     | B8             | B-0658          | D35; E26       | B-0674-RGH     | D38; E27       | B-0717        | D40; E28       |
| B-0578        | B8             | B-0659          | D38; E22       | B-0674-RGHM    | D38; E27       | B-0718        | D40; E28       |
| B-0578-01     | B8             | B-0660-BSTP     | D35; E25       | B-0674-RGHM24  | D38; E27       | B-0720        | D40; E29       |
| B-0579        | B8             | B-0660-BSTR     | D35; E25       | B-0675         | D41            | B-0720-RGH    | D40; E29       |
| B-0579-01     | B8             | B-0660-POL      | D35; E25       | B-0676         | D41            | B-0730        | D40; E29       |
| B-0580        | B9             | B-0660-RGH      | D35; E25       | B-0676-54V     | D41            | B-0730-POL    | D40; E29       |
| B-0581        | B9             | B-0661-POL      | D35; E25       | B-0677         | D41            | B-0731-POL    | D40; E29       |
| B-0584        | B9             | B-0661-RGH      | D35; E25       | B-0678         | D41            | B-0736        | D40; E29       |
| B-0585        | B9             | B-0662          | D35; E25       | B-0679         | D41            | B-0736-POL    | D40; E29       |
| B-0590        | B9             | B-0664          | D36; E25       | B-0680-ST      | D42            | B-0737        | D40; E29       |
| B-0591        | B9             | B-0664-01       | D36; E25       | B-0682         | D42            | B-0737-POL    | D40; E29       |
| B-0592        | B9             | B-0664-02       | D36; E25       | B-0682-ST      | D42            | B-0800        | D23            |
| B-0592-CR     | B9             | B-0665-BSTP     | D36; E26; P7   | B-0685         | D41            | B-0800-PA     | D22            |
| B-0594        | B9, 10         | B-0665-BSTP-963 | D36; E26       | B-0686         | D41            | B-0805        | D23            |
| B-0597        | B10            | B-0665-BSTP-CVB | D36; E26       | B-0687         | D41            | B-0805-01     | D23            |
| B-0597-CR     | B10            | B-0665-BSTPM    | D36; E26       | B-0690         | D42            | B-0805-F05    | D23            |
| B-0597-JJ     | B10            | B-0665-BSTPM24  | D36; E26       | B-0691         | D42            | B-0805-PA     | D22            |
| B-0598        | B10            | B-0665-BSTR     | D36; E26       | B-0692         | D38; E27       | B-0805-VF05   | D23            |
| B-0599-CR     | B10            | B-0665-BSTR-963 | D36; E26       | B-0693-POL     | D38; E27       | B-0805-VR-LDP | D23            |
| B-0600        | B10            | B-0665-BSTR-CVB | D36; E26       | B-0695         | D38; E27       | B-0805-WS     | D23            |
| B-0601        | B10            | B-0665-BSTRM    | D36; E26       | B-0695-ST      | D38; E27       | B-0806        | D23            |
| B-0605        | B10            | B-0665-BSTRM12  | D36; E26       | B-0697         | D38; E27       | B-0806-DP-F20 | D23            |
| B-0606        | B10            | B-0665-CR-BSTR  | D36; E26       | B-0698         | D38; E27       | B-0807        | D23            |
| B-0610        | B10            | B-0665-POL      | D36; E26       | B-0699         | D38; E27       | B-0807-01     | D23            |
| B-0610-JJ     | B10            | B-0665-RGH      | D36; E26       | B-0699-ST      | D38; E27       | B-0807-PA     | D22            |
| B-0611        | B10            | B-0666-POL      | D36; E26       | B-0700         | D39; E28       | B-0807-WS     | D23            |
| B-0618-01     | D39; E28       | B-0666-RGH      | D36; E26       | B-0700-LT-CR-K | D39; E28       | B-0808        | D23            |

| Model No.       | Section & Page | Model No.       | Section & Page | Model No.  | Section & Page   | Model No.     | Section & Page |
|-----------------|----------------|-----------------|----------------|------------|------------------|---------------|----------------|
| B-0830          | D24            | B-0890-F05      | D18            | B-0933-ST  | D48              | B-1105        | C27, 28        |
| B-0831          | D24            | B-0890-M        | D18            | B-0937     | D49              | B-1105-LN     | C27, 28        |
| B-0831-01       | D24            | B-0890-QT       | D18            | B-0938     | D49              | B-1105-LNM    | C27            |
| B-0831-F05      | D24            | B-0890-QT-WS    | D18            | B-0940     | D49              | B-1105-M      | C28            |
| B-0831-PA       | D22            | B-0890-VF05     | D18            | B-0950     | A31; D43         | B-1106        | C27, 28        |
| B-0831-VF05     | D24            | B-0890-VF05-QT  | D18            | B-0950-01  | A31              | B-1107        | C27, 28        |
| B-0831-VR       | D24            | B-0890-VRS      | D18            | B-0950-54H | A31              | B-1108        | C27, 28        |
| B-0831-WA       | D26            | B-0890-WS       | D18            | B-0955     | A30; D43         | B-1110        | C27, 29        |
| B-0831-WS       | D24            | B-0891          | D18            | B-0956     | A31; D43         | B-1110-LN     | C27, 29        |
| B-0833          | D24            | B-0892          | D16            | B-0957     | A30; D43         | B-1110-LN-WH4 | C27            |
| B-0833-01       | D24            | B-0892-01       | D16            | B-0962     | E20              | B-1110-LNM    | C27            |
| B-0834          | D24            | B-0892-01-CR    | D16            | B-0963     | E20; P7          | B-1110-M      | C27, 29        |
| B-0834-01       | D24            | B-0892-01CR-L22 | D17            | B-0965     | E20              | B-1110-QT     | C27, 29        |
| B-0836          | D25            | B-0892-01-WS    | D16            | B-0968     | E20              | B-1110-XS     | C27, 29        |
| B-0836-01       | D25            | B-0892-01QT     | D17            | B-0968-HA  | E20              | B-1110-XS-LN  | C27            |
| B-0837          | D25            | B-0892-122X-LAM | D16            | B-0969     | E20              | B-1110-XS-LNM | C27            |
| B-0837-01       | D25            | B-0892-133X     | D17            | B-0970-FE  | A40; B6          | B-1111        | C27, 29        |
| B-0837-PA       | D25            | B-0892-135X     | D17            | B-0973     | D43              | B-1111-M      | C27, 29        |
| B-0842          | D23            | B-0892-CR       | D16            | B-0974     | D43              | B-1111-XS     | C27, 29        |
| B-0850          | D19            | B-0892-CR-HW    | D17            | B-0975-GH  | E20              | B-1112        | C27, 29        |
| B-0855          | D19            | B-0892-CR-LF05  | D16            | B-1020     | D44              | B-1112-M      | C27, 29        |
| B-0865          | D13            | B-0892-CR-WS    | D16            | B-1025     | D44              | B-1112-XS     | C27, 29        |
| B-0865-04       | D13            | B-0892-F05      | D16            | B-1025-1   | D44              | B-1113        | C27, 29        |
| B-0865-04L      | D13            | B-0892-F1-CR-SC | D16            | B-1025-ST  | D44; E21         | B-1113-M      | C27, 29        |
| B-0866          | D13            | B-0892-FC       | D16            | B-1026-1   | D44              | B-1113-XS     | C27, 29        |
| B-0866-04       | D13            | B-0892-LF12-CR4 | D17            | B-1027     | D44              | B-1115        | C29, 30        |
| B-0866-PV       | D13            | B-0892-LF22     | D16            | B-1027-UCP | D44              | B-1115-LN     | C29, 30        |
| B-0867-04       | D13            | B-0892-LN       | D17            | B-1028     | D44              | B-1115-LNM    | C30            |
| B-0867-04L      | D13            | B-0892-LN-QT    | D17            | B-1029     | D44              | B-1115-M      | C29, 30        |
| B-0867-04-WS    | D13            | B-0892-M        | D16            | B-1029-1   | D44              | B-1115-XS     | C29, 30        |
| B-0868-04       | D13            | B-0892-QT-F05   | D17            | B-1029-2   | D44              | B-1116        | C29, 30        |
| B-0868-04L      | D13            | B-0892-QT-LF16  | D17            | B-1029-PA  | D44              | B-1116-M      | C29, 30        |
| B-0869-04       | D13            | B-0892-QT-VF05  | D17            | B-1035     | D44              | B-1117        | C29, 30        |
| B-0870          | D21            | B-0892-QT-WS    | D17            | B-1035-ST  | D44; E21         | B-1117-M      | C29, 30        |
| B-0870-CR       | D21            | B-0892-VF05     | D16            | B-1090     | D45              | B-1118        | C29, 30        |
| B-0871          | D21            | B-0892-VF05G    | D17            | B-1091     | D45              | B-1118-M      | C29, 30        |
| B-0871-CR       | D21            | B-0892-VRS      | D16            | B-1092     | D45              | B-1120        | C29, 30        |
| B-0871CR-PRISON | D21            | B-0892-WA       | D26            | B-1095     | D45              | B-1120-F22    | C29, 30        |
| B-0871-CR-WS    | D21            | B-0892-WS       | D16            | B-1097     | D45              | B-1120-LN     | C29, 30        |
| B-0871-F05      | D21            | B-0893          | D16            | B-10K      | A44; E18         | B-1120-LN-WH4 | C30            |
| B-0871-M        | D21            | B-0894          | D18            | B-10K-C    | A41              | B-1120-LNM    | C30            |
| B-0871-VF05     | D21            | B-0895          | D18            | B-10K-J    | A41              | B-1120-M      | C29, 30        |
| B-0871-VR-CH-QT | D21            | B-0898          | D20            | B-1100     | C27, 28          | B-1120-QT     | C29, 30        |
| B-0871-VRS      | D21            | B-0898-OF       | D20            | B-1100-K   | C11, 40; D65, 75 | B-1120-XS     | C29, 30        |
| B-0871-WS       | D21            | B-0899          | D20            | B-1100-LN  | C27, 28          | B-1120-XS-LN  | C30            |
| B-0873          | D21            | B-0900          | D45            | B-1100-LNM | C27              | B-1120-XS-LNM | C30            |
| B-0874          | D21            | B-0921          | D48            | B-1100-M   | C27              | B-1121        | C29, 30        |
| B-0874-M        | D21            | B-0925          | D48            | B-1101     | C27, 28          | B-1121-M      | C29, 30        |
| B-0877          | D21            | B-0926          | D48            | B-1102     | C27, 28          | B-1121-XS     | C29, 30        |
| B-0885          | D19            | B-0929          | E20            | B-1102-M   | C28              | B-1120-XS-LN  | C30            |
| B-0890          | D18            | B-0929-A        | E20            | B-1103     | C27, 28          | B-1120-XS-LNM | C30            |
| B-0890-CR-WS    | D18            | B-0930          | D49            | B-1103-M   | C28              | B-1121        | C30            |

IN  
10

| Model No.       | Section & Page | Model No.      | Section & Page | Model No.       | Section & Page | Model No.       | Section & Page |
|-----------------|----------------|----------------|----------------|-----------------|----------------|-----------------|----------------|
| B-1121-M        | C30            | B-1152-092A-VB | C32            | B-1344          | D65            | B-17K           | C37            |
| B-1121-XS       | C30            | B-1156         | C32            | B-1345          | D65            | B-18K           | D67            |
| B-1122          | C29, 30        | B-1157         | C32            | B-1346          | D65            | B-1958          | D36; E26       |
| B-1122-M        | C29, 30        | B-1157-12      | C32            | B-1350          | D65            | B-19K           | C40; D67       |
| B-1122-XS       | C29, 30        | B-1171         | C32; P3        | B-1351          | D65            | B-20K           | C40            |
| B-1123          | C29, 30        | B-1171-07      | C32            | B-1355          | D65            | B-2187          | A17            |
| B-1123-M        | C29, 30        | B-1172         | C32; P3        | B-13K           | C37; D66       | B-2187-01       | A17            |
| B-1123-XS       | C29, 30        | B-1172-01-CD   | C32            | B-1410          | A33            | B-2180          | A17            |
| B-1124          | C29            | B-1172-02      | P3             | B-1411          | A33            | B-2194          | A17            |
| B-1125          | C29, 31        | B-1172-07      | C32            | B-1412          | A33            | B-2223          | A17            |
| B-1125-LN       | C29, 31        | B-1173-101-48H | C32            | B-1413          | B6             | B-2261          | A17            |
| B-1125-LNM      | C31            | B-1174         | P4             | B-1420          | A34            | B-2261-B        | A17            |
| B-1125-M        | C29, 31        | B-1176         | P4             | B-1421          | A34            | B-2271          | D38; E27       |
| B-1125-XS-HM    | C31            | B-1177         | C32            | B-1422          | A34            | B-2271-CR       | D38; E27       |
| B-1126          | C29, 31        | B-1193         | C32            | B-1423          | A34            | B-2278          | A15            |
| B-1126-M        | C29, 31        | B-11K          | C37; D66       | B-1424          | A34; B6        | B-2278-01       | A15            |
| B-1126-XS       | C29            | B-1200         | B3, 4          | B-1425          | A34            | B-2278-01-CR    | A15            |
| B-1127          | C29, 31        | B-1200-M       | B4             | B-1426          | A34            | B-2278-02       | A15            |
| B-1127-M        | C29, 31        | B-1201         | B4             | B-1427          | A34            | B-2278-02-CR    | A15            |
| B-1128          | C29, 31        | B-1202         | B4             | B-1428          | A34            | B-2278-03       | A15            |
| B-1128-M        | C29, 31        | B-1204         | B4             | B-1430          | E10, 14        | B-2278-03-CR    | A15            |
| B-1128-XS       | C29, 31        | B-1205         | B3, 4          | B-1431          | E10            | B-2278-0440-CR  | A15            |
| B-1130          | C28            | B-1205-M       | B4             | B-1432          | E10, 14        | B-2278-A12CRCEL | A15            |
| B-1131          | C27, 29        | B-1210         | B3, 4          | B-1432-01       | E10            | B-2278-ADF      | A15            |
| B-1131-XS       | C27, 29        | B-1210-01      | B4             | B-1432-7122-C01 | E10            | B-2278-B9       | A15            |
| B-1132          | C29, 30        | B-1210-01M     | B4             | B-1433          | E10, 14, 17    | B-2278-CR       | A15            |
| B-1135          | C27, 28        | B-1210-12      | B4             | B-1433-01       | E11, 14        | B-2278-CR-C-EL  | A15            |
| B-1136          | C29, 30        | B-1210-M       | B4             | B-1433-01M-QDS  | E14            | B-2280          | C17, 21        |
| B-1137          | C29, 31        | B-1211         | B4             | B-1433-02       | E11, 14        | B-2280-060X     | C21            |
| B-1140          | C27, 28        | B-1215         | B4             | B-1433-04       | E11, 14        | B-2282          | B7             |
| B-1141          | C27, 29        | B-1220         | B3, 4          | B-1433-05       | E11            | B-2282-01       | B7             |
| B-1141-XS       | C27, 29        | B-1222         | B4             | B-1433-06       | E11            | B-2282-01-F05   | B7             |
| B-1142          | C29, 30        | B-1225         | B3, 4          | B-1433-7132-01M | E11, 14        | B-2282-01-M10   | B7             |
| B-1142-04       | C30            | B-1230         | B3, 5          | B-1433-CR       | E14            | B-2282-F03      | B7             |
| B-1142-04A-QT   | C29, 30        | B-1230-12      | B5             | B-1433-CR-SC    | E11            | B-2282-F05      | B7             |
| B-1142-XS       | C29, 30        | B-1231         | B5             | B-1433-CR-QDS   | E14            | B-2282-F07      | B7             |
| B-1145          | C27, 28        | B-1235         | B5             | B-1433-CR-SC-T  | E14            | B-2282-F10      | B7             |
| B-1146          | C29, 31        | B-1240         | B5             | B-1434-RG       | E11, 14        | B-2282-F12      | B7             |
| B-1146-01       | C31; P4        | B-1255         | B15            | B-1433-SC01     | E11            | B-2282-F15      | B7             |
| B-1146-01A      | C31            | B-1256         | B15            | B-1436          | E12, 15        | B-2282-F20      | B7             |
| B-1146-01A-W4EK | C31            | B-1260         | B5             | B-1437          | E12            | B-2282-F25      | B7             |
| B-1146-01-WS    | C31            | B-12K          | C37            | B-1438          | E12            | B-2283          | C17            |
| B-1146-02A      | C31            | B-1305         | D64            | B-1439          | E12, 15        | B-2283-065X     | C21            |
| B-1146-02A-WH4  | C31            | B-1305-01      | D64            | B-1444          | E12, 15        | B-2283-CR       | C21            |
| B-1146-04       | C29, 31; P3    | B-1306         | D64            | B-1444-CV       | E12, 15        | B-2285          | A18            |
| B-1146-WS       | C31            | B-1306-01      | D64            | B-1453          | E12, 15        | B-2285-B        | A18            |
| B-1146-XS       | C29, 31        | B-1311         | D64            | B-1454          | E12, 17        | B-2285-BC       | A27            |
| B-1147          | C29, 31        | B-1336         | D64            | B-1457          | E16            | B-2288          | A13            |
| B-1148          | C30            | B-1340         | D65            | B-1458          | E12, 16        | B-2289          | C29, 31        |
| B-1151          | C32            | B-1341         | D65            | B-1459          | E13, 16        | B-2291          | C31            |
| B-1152          | C32            | B-1342         | D65            | B-1480          | E13            | B-2299          | C22            |
| B-1152-092A     | C32            | B-1343         | D65            | B-15K           | D66            | B-2301          | D40; E29       |

| Model No.     | Section & Page   | Model No.       | Section & Page | Model No.       | Section & Page | Model No.    | Section & Page |
|---------------|------------------|-----------------|----------------|-----------------|----------------|--------------|----------------|
| B-2312        | B11              | B-2711-WS       | D4             | B-2865-04L      | D14            | B-2990-WS    | D20            |
| B-2320        | D20              | B-2730          | D4; P3         | B-2865-05       | D14            | B-2991       | D25            |
| B-2331        | B12              | B-2730-07       | D4; P3         | B-2865-05-120XA | D14            | B-2991-P     | D25            |
| B-2338        | A18              | B-2730-3H       | D4             | B-2865-05-133XA | D14            | B-2991-PA    | D23            |
| B-2338-08C    | A18              | B-2730-DRK      | D66            | B-2865-05CR     | D14            | B-2991-WA    | D26            |
| B-2338-CR     | A18              | B-2730-LH       | D4; P3         | B-2865-05-WS    | D14            | B-2991-WH4   | D25            |
| B-2339        | E13, 17          | B-2730-WS       | D4             | B-2865-06       | D14            | B-2991-WS    | D25            |
| B-2339-02     | E13, 17          | B-2731          | D4             | B-2866          | D15            | B-2992       | D20            |
| B-2339-LR     | E17              | B-2731-LF15     | D4             | B-2866-01       | D14            | B-2992-180F  | D20            |
| B-2342        | C17, 22          | B-2731-LH       | D4             | B-2866-01QT-VRF | D14            | B-2992-L     | D20            |
| B-2343        | B8               | B-2731-VF05     | D4             | B-2866-04       | D15            | B-2992-P     | D20            |
| B-2346        | C33              | B-2731-WS       | D4             | B-2866-04-01QT  | D15            | B-2992-PWH4  | D20            |
| B-2347        | D15              | B-2740          | D5             | B-2866-04L      | D15            | B-2992-WH4   | D20            |
| B-2347-05-LVR | D15              | B-2741          | D4             | B-2866-04VRS    | D15            | B-3200       | D3, 46         |
| B-2349        | A18              | B-2742          | D4             | B-2866-05       | D14            | B-3201       | D3, 46         |
| B-2358        | C22              | B-2742-A22      | D4             | B-2866-05-LF15  | D14            | B-3204       | D3, 46         |
| B-2360        | D31              | B-2742-LF05     | D4             | B-2866-05-WA    | D26            | B-3204-PBV   | D3, 46         |
| B-2360-01     | D31              | B-2742-LH       | D4             | B-2866-05FC     | D14            | B-3205       | D3, 46         |
| B-2360-01-AR  | D31              | B-2743          | D4; P3         | B-2866-05FC-QT  | D14            | B-3206       | D3, 46         |
| B-2360-01-PA  | D31              | B-2744          | D4             | B-2866-05QT     | D14            | B-3206-VB    | D3, 46         |
| B-2360-02     | D31              | B-2745          | D5             | B-2866-05QT-VRS | D14            | B-3300       | D3, 47         |
| B-2360-03     | D31              | B-2746          | D5             | B-2866-05-WS    | D14            | B-3301       | D3, 47         |
| B-2360-04     | D31              | B-2749          | D5             | B-2866-F05      | D15            | B-3304       | D3, 47         |
| B-2360-AR     | D31              | B-2760-H        | D24            | B-2866-LF12-CR4 | D15            | B-3304-PBV   | D3, 47         |
| B-2386        | D14              | B-2820          | D25            | B-2866-QT-21VR  | D15            | B-3305       | D3, 47         |
| B-2387        | C6; D70          | B-2820-01       | D25            | B-2866-QT-VF05  | D15            | B-3306       | D3, 47         |
| B-238RK       | A41, 42; C38, 40 | B-2820-PA       | D23, 25        | B-2866-QT-VF05G | D15            | B-3306-VB    | D3, 47         |
| B-23K         | A44; C40         | B-2821          | D25            | B-2866-VF05     | D15            | B-3940       | C33, 34        |
| B-2455-C      | A26              | B-2821-01       | D25            | B-2867          | D15            | B-3940-01    | C33, 34        |
| B-2460        | D40; E29         | B-2823-02       | D25            | B-2867-04       | D15            | B-3942       | C33, 34        |
| B-2464        | D28              | B-2850          | D19            | B-2867-04L      | D15            | B-3942-01    | C33, 34        |
| B-2480        | D39; E27         | B-2850-01       | D19            | B-2867-04-F05   | D15            | B-3945       | C34            |
| B-2490        | D25              | B-2850-F05      | D19            | B-2867-04-LF15  | D15            | B-3950       | C33, 34        |
| B-2490-PA     | D22; E29         | B-2850-L        | D19            | B-2867-04-VF05  | D15            | B-3950-01    | C33, 34        |
| B-2501        | C19, 21          | B-2850-VF05     | D19            | B-2867-04-WS    | D15            | B-3950-01-SB | C34            |
| B-2501-CR     | C21              | B-2850-WH4      | D19            | B-2868-04       | D15            | B-3950-SB    | C34            |
| B-2701        | D5               | B-2850-WS       | D19            | B-2869-04       | D15            | B-3950-VR    | C34            |
| B-2701-AR     | D5               | B-2851          | D19            | B-2885          | D19            | B-3950-XS    | C34            |
| B-2701-VF05   | D5               | B-2851-133X-VR  | D19            | B-2955          | D20            | B-3952       | C33, 34        |
| B-2701-VR     | D5               | B-2851-L        | D19            | B-2970          | D21            | B-3952-01    | C33, 34        |
| B-2703        | D5               | B-2852          | D19            | B-2971          | D21            | B-3952-VR    | C34            |
| B-2703-LF15   | D5               | B-2853-RSW-061X | D19            | B-2990          | D20            | B-3960       | C33, 34        |
| B-2703-VF05   | D5               | B-2853-RSW-VR05 | D19            | B-2990-175F     | D20            | B-3960-01    | C33, 34        |
| B-2710        | D4               | B-2855          | D19            | B-2990-180F     | D20            | B-3962       | C33, 34        |
| B-2710-LH     | D4               | B-2855-01       | D19            | B-2990-F05      | D20            | B-3962-01    | C33, 34        |
| B-2710-F05    | D4               | B-2855-WS       | D19            | B-2990-FL       | D20            | B-3970       | C33, 34        |
| B-2710-VF05   | D4               | B-2859          | D19            | B-2990-P        | D20            | B-3970-01    | C33, 34        |
| B-2710-WS     | D4               | B-2862          | D14            | B-2990-PWH4     | D20            | B-3970-VR    | C34            |
| B-2711        | D4               | B-2862-WS       | D14            | B-2990-VF05     | D20            | B-3972       | C33, 34        |
| B-2711-F05    | D4               | B-2865          | D14            | B-2990-WH4      | D20            | B-3972-01    | C33, 34        |
| B-2711-LH     | D4               | B-2865-04       | D14            | B-2990-WH4-QT   | D20            | B-3990       | C35            |
| B-2711-VF05   | D4               | B-2865-04-WA    | D26            | B-2990-WH4-WS   | D20            | B-3990-01    | C35            |

**IN  
12**

| Model No. Section & Page |          | Model No. Section & Page |        | Model No. Section & Page |                  | Model No. Section & Page |     |
|--------------------------|----------|--------------------------|--------|--------------------------|------------------|--------------------------|-----|
| B-3990-01-BSP            | C35      | B-7142-08H               | E4     | B-7243-05                | E6               | BL-4200-0                | D51 |
| B-3990-01-3X             | C35      | B-7142-08M               | E4     | B-7243-08H               | E6               | BL-4200-01               | D51 |
| B-3990-01-5X             | C35      | B-7142-10                | E4     | B-7245-03                | E6               | BL-4200-02               | D51 |
| B-3990-01-BSP3X          | C35      | B-7142-C01               | E5     | B-7245-06                | E6               | BL-4200-04               | D51 |
| B-3990-01-BSP5X          | C35      | B-7142-C01M              | E5     | B-7245-NH                | E6               | BL-4203-0                | D51 |
| B-3990-3KIT              | C36      | B-7142-C02               | E5     | B-7K                     | C37              | BL-4203-01               | D51 |
| B-3990-3X                | C35      | B-7142-C05               | E5     | B-9K                     | A41; C37; D66    | BL-4203-02               | D51 |
| B-3990-5KIT              | C36      | B-7142-C08H              | E5     | B-CVH1-2                 | A16 B11; C12;    | BL-4203-04               | D51 |
| B-3990-5X                | C35      | B-7142-C08M              | E5     |                          | D76; E22         | BL-4210-0                | D52 |
| B-3990-BSP               | C35      | B-7142-C10               | E5     | B-CVH3-4                 | A16; B11; C12;   | BL-4210-01               | D52 |
| B-3990-BSP-3X            | C35      | B-7212-01                | E6; P5 |                          | D76; E22         | BL-4210-02               | D52 |
| B-3990-BSP-5X            | C35      | B-7212-01M               | E6     | B-CVV1-2                 | C12; D76; E22    | BL-4250-01               | D52 |
| B-3992                   | C35      | B-7212-02                | E6     | B-CVV3-4                 | A22; B13; E22    | BL-4250-02               | D52 |
| B-3992-3X                | C35      | B-7212-05                | E6     | B-GFE                    | C10, 11; D74, 75 | BL-4250-03               | D52 |
| B-3992-5X                | C35      | B-7212-08H               | E6     | B-GH                     | C10, 11; D74, 75 | BL-4250-04               | D52 |
| B-3992-01                | C35      | B-7212-08M               | E6     | B-KF                     | A40              | BL-4250-05               | D52 |
| B-3992-01-3X             | C35      | B-7212-10                | E6     | B-KG                     | A40              | BL-4250-06               | D52 |
| B-3992-01-5X             | C35      | B-7212-11                | E6     | B-LT                     | C10; D74         | BL-4250-07               | D52 |
| B-3999-OF                | C34      | B-7222-C01               | E7     | B-PT                     | C10; D74         | BL-4250-08               | D52 |
| B-39K                    | C34, 40  | B-7222-C01M              | E7     | B-PV                     | D13              | BL-4260-01               | D52 |
| B-5K                     | C37      | B-7222-C02               | E7     | B-SD                     | C7; D71          | BL-4300-0                | D53 |
| B-50P                    | D67      | B-7222-C05               | E7     | B-SDA                    | C7; D71          | BL-4300-01               | D53 |
| B-6K                     | C37; D66 | B-7222-C08H              | E7     | B-TEE-EZK                | A23, 32; C12     | BL-4300-02               | D53 |
| B-7102                   | E3, 4    | B-7222-C08M              | E7     | B-TEE-RGD                | A23, 32; C12     | BL-4300-04               | D53 |
| B-7102-01                | E3, 4    | B-7222-C10               | E7     | B-WH4                    | C7; D67, 71      | BL-4350-01               | D53 |
| B-7102-01M               | E3, 4    | B-7222-C11               | E7     | B-WH4-C                  | C7; D67, 71      | BL-4355-01               | D53 |
| B-7102-08H               | E3, 4    | B-7232-01                | E6; P5 | B-WH4-H                  | C7; D67, 71      | BL-4422-0                | D53 |
| B-7102-08M               | E3, 4    | B-7232-01M               | E6     | B-WH6                    | C7; D67, 71      | BL-4422-01               | D53 |
| B-7112-01                | E4; P5   | B-7232-02                | E6     | B-WH6-C                  | C7; D67, 71      | BL-4500-01               | D53 |
| B-7112-01M               | E4       | B-7232-05                | E6     | B-WH6-H                  | C7; D67, 71      | BL-4500-02               | D53 |
| B-7112-05                | E4       | B-7232-08H               | E6     | BF-0034-A                | B13              | BL-4500-04               | D53 |
| B-7112-08H               | E4       | B-7232-08M               | E6     | BF-0062-X                | B13, 15          | BL-4501-01               | D53 |
| B-7112-08M               | E4       | B-7232-10                | E6     | BF-0135-X                | B15              | BL-4520-01               | D53 |
| B-7112-10                | E4       | B-7232-11                | E6     | BF-0136-X                | B15              | BL-4520-02               | D53 |
| B-7122-C01               | E5       | B-7233-02                | E6     | BF-0153-X                | B15              | BL-4700-01               | D54 |
| B-7122-C01M              | E5       | B-7233-05                | E6     | BF-0176                  | A22; B14         | BL-4700-01MF             | D54 |
| B-7122-C02               | E5       | B-7233-08H               | E6     | BF-0178-A                | B13, 15          | BL-4700-02               | D54 |
| B-7122-C05               | E5       | B-7242-01                | E6; P5 | BF-0400                  | B13              | BL-4705-01               | D55 |
| B-7122-C08H              | E5       | B-7242-01M               | E6     | BF-0401                  | B13              | BL-4705-02               | D55 |
| B-7122-C08M              | E5       | B-7242-02                | E6     | BF-0402                  | B13              | BL-4705-03               | D55 |
| B-7122-C10               | E5       | B-7242-05                | E6     | BL-4000-01               | D51              | BL-4710-01               | D54 |
| B-7132-01                | E4; P5   | B-7242-08H               | E6     | BL-4000-01M              | D51              | BL-4710-02               | D54 |
| B-7132-01M               | E4       | B-7242-08M               | E6     | BL-4010-01               | D51              | BL-4710-03               | D54 |
| B-7132-02                | E4       | B-7242-10                | E6     | BL-4100-0                | D51              | BL-4720-01               | D54 |
| B-7132-05                | E4       | B-7242-C01               | E7     | BL-4100-01               | D51              | BL-4720-01MF             | D54 |
| B-7132-08H               | E4       | B-7242-C01M              | E7     | BL-4100-02               | D51              | BL-4720-02               | D54 |
| B-7132-08M               | E4       | B-7242-C02               | E7     | BL-4100-03               | D51              | BL-4720-02MF             | D54 |
| B-7132-10                | E4       | B-7242-C05               | E7     | BL-4100-04               | D51              | BL-4720-03               | D54 |
| B-7142-01                | E4; P5   | B-7242-C08H              | E7     | BL-4100-05               | D51              | BL-4730-03               | D54 |
| B-7142-01M               | E4       | B-7242-C08M              | E7     | BL-4102-0                | D51              | BL-4740-03               | D55 |
| B-7142-02                | E4       | B-7242-C10               | E7     | BL-4102-01               | D51              | BL-4750-03               | D55 |
| B-7142-05                | E4       | B-7243-02                | E6     | BL-4102-02               | D51              | BL-4750-05               | D55 |

| Model No.     | Section & Page | Model No.     | Section & Page | Model No.       | Section & Page | Model No.    | Section & Page |
|---------------|----------------|---------------|----------------|-----------------|----------------|--------------|----------------|
| BL-4750-06    | D55            | BL-5707-10    | D64            | EB-0107         | E5, 18; P6     | EC-FILTER    | D8, 11         |
| BL-4750-07    | D55            | BL-5709-01    | D59            | EB-0107-035     | P6             | EC-HARDWIRE  | D6, 11         |
| BL-5000-01    | D61            | BL-5709-02    | D59            | EB-10K          | E18; P2        | EC-HYDROGEN  | D8, 11         |
| BL-5000-02    | D61            | BL-5709-04    | D59            | EB-2322         | E5, 32; P6     | EC-TMV       | D8, 11         |
| BL-5500-0     | D62            | BL-5709-05    | D59            | EC-3100         | D6, 7, 12      | EW-7360B     | G4; P8         |
| BL-5500-03    | D62            | BL-5709-08    | D59            | EC-3100-120X    | D7             | EW-7501      | G4; P8         |
| BL-5500-07    | D62            | BL-5709-08WH4 | D59            | EC-3100-5M-4DP  | D10            | EW-7611      | G4; P8         |
| BL-5500-08    | D62            | BL-5709-09    | D59            | EC-3100-HG      | D7, 11         | EW-7612      | G4; P8         |
| BL-5500-09    | D62            | BL-5710-01    | D58            | EC-3100-LF05    | D6             | EW-7612LH    | G4; P8         |
| BL-5500-10    | D62            | BL-5710-03    | D58            | EC-3100-LF22    | D6, 7          | EW-7651      | P8             |
| BL-5505-07    | D62            | BL-5710-07    | D58            | EC-3100-LF22-SB | D6, 8, 12      | EW-8904      | G5; P8         |
| BL-5545-01    | D62            | BL-5710-09    | D58            | EC-3100-LN      | D7             | EW-9082      | G4             |
| BL-5550-01    | D62            | BL-5715-01    | D58            | EC-3100-SB      | D6             | EW-9095      | G5             |
| BL-5550-01F   | D62            | BL-5715-02    | D58            | EC-3100-SM      | D6, 10         | EW-9201EF    | G5             |
| BL-5550-04    | D63            | BL-5715-08    | D58            | EC-3100-SMT     | D6             | EW-SP90      | G6             |
| BL-5550-05    | D63            | BL-5715-09    | D58            | EC-3100-TMV     | D6, 7, 11      | EW-SP131     | G6             |
| BL-5550-09    | D63            | BL-5725-01    | D58            | EC-3100-VF05    | D7             | EW-SP140     | G6             |
| BL-5550-10    | D51, 63        | BL-5725-02    | D58            | EC-3101         | D6, 7, 12      | EW-SP170     | G6             |
| BL-5550-12    | D63            | BL-5725-08    | D58            | EC-3101-HG      | D6, 7, 11      | EW-SP225     | G6             |
| BL-5550-23    | D63            | BL-5725-09    | D58            | EC-3101-LF05    | D6             | EW-SP509     | G6             |
| BL-5550-24    | D63            | BL-5735-01    | D59            | EC-3101-LF22    | D7             | EZ-SWIVEL-CZ | C6, D70        |
| BL-5550-30    | D63            | BL-5735-02    | D59            | EC-3101-LF22-SB | D8             | EZ-SWIVEL-FM | C6, D70        |
| BL-5560-01    | D64            | BL-5735-09    | D59            | EC-3101-LN      | D7             | G016636-45   | E9; P7         |
| BL-5560-02    | D64            | BL-5740-01    | D60            | EC-3101-SB      | D6             | G016637-45   | E9; P7         |
| BL-5561-02    | D64            | BL-5740-02    | D60            | EC-3101-TMV     | D6, 7, 11      | G016652-45   | E9             |
| BL-5561-03    | D64            | BL-5740-08    | D60            | EC-3101-VF05    | D7             | G016737-45   | E9             |
| BL-5700-01    | D56            | BL-5750-01    | D60            | EC-3102         | D6, 7, 12      | HG-2C-24     | F5-8           |
| BL-5700-02    | D56            | BL-5755-01    | D60            | EC-3102-HG      | D6, 7, 11, 12  | HG-2C-24K    | F5-8           |
| BL-5700-03    | D56            | BL-5775-01    | D60            | EC-3102-LF05    | D6             | HG-2C-24S    | F5-8           |
| BL-5700-04    | D56            | BL-5775-08    | D60            | EC-3102-LF22    | D7             | HG-2C-24SK   | F5-8           |
| BL-5700-08    | D56            | BL-5800-02    | D60            | EC-3102-SM      | D6, 10         | HG-2C-36     | F5-8           |
| BL-5700-08-VR | D56            | BL-5850-01    | D60            | EC-3102-SMT     | D6             | HG-2C-36K    | F5-8           |
| BL-5700-09    | D56            | BL-5850-01TL  | D60            | EC-3102-TMV     | D6, 7, 11      | HG-2C-36PS   | F5-8           |
| BL-5704-01    | D59            | BL-5850-02    | D60            | EC-3102-VF05    | D7             | HG-2C-36S    | F5-8           |
| BL-5704-02    | D57            | BL-5860-01TL  | D60            | EC-3103         | D6, 7, 8, 12   | HG-2C-48     | F5-8           |
| BL-5704-03    | D57            | BL-6000-02    | D61            | EC-3103-HG      | D8, 11, 12     | HG-2C-48K    | F5-8           |
| BL-5704-04    | D57            | BL-6000-03    | D61            | EC-3103-LF05    | D6             | HG-2C-48-PS  | F8             |
| BL-5704-05    | D57            | BL-6005-02    | D61            | EC-3103-LF22    | D8             | HG-2C-48S    | F5-8           |
| BL-5704-08    | D57            | BL-6005-03    | D61            | EC-3103-TMV     | D6, 7, 11      | HG-2C-48SK   | F5-8           |
| BL-5704-08WH4 | D57            | BL-6050-01    | D61            | EC-3103-VF05    | D8             | HG-2C-60     | F5-8           |
| BL-5704-09    | D57            | BL-6050-02    | D61            | EC-3106         | D6, 7, 12      | HG-2C-60-PS  | F5-8           |
| BL-5705-01    | D57            | BL-9000-01    | D56            | EC-3106-HG      | D8, 11, 12     | HG-2C-72     | F5-8           |
| BL-5705-02    | D57            | BL-9000-05    | D56            | EC-3106-VF05    | D6, 8          | HG-2C-72K    | F5-8           |
| BL-5705-03    | D57            | BL-9000-09    | D56            | EC-3106-TMV     | D6, 8, 11      | HG-2D-24     | F5-8           |
| BL-5705-04    | D57            | BL-9000-10    | D56            | EC-3122         | D6, 7, 9, 12   | HG-2D-24K    | F5-8           |
| BL-5705-08    | D57            | BL-9005-01    | D56            | EC-3122-4DP     | D9             | HG-2D-24-PS  | F5-8           |
| BL-5705-08-VR | D57            | BL-9505-01    | D61            | EC-3122-8DP     | D9             | HG-2D-24S    | F5-8           |
| BL-5705-09    | D57            | BL-9505-02    | D61            | EC-3122-HG      | D9             | HG-2D-24SK   | F5-8           |
| BL-5707-01    | D58            | BL-9515-01    | D61            | EC-3122-VF05    | D9             | HG-2D-36     | F5-8           |
| BL-5707-03    | D59            | BL-9515-02    | D61            | EC-EASYWIRE     | D6, 11         | HG-2D-36K    | F5-8           |
| BL-5707-04    | D58            | BL-9515-03    | D61            | EC-EASYWIRE4CC  | D11            | HG-2D-36-PS  | F5-8           |
| BL-5707-05    | D64            | BR-10         | A31            | EC-EASYWIRE5EXT | D11            | HG-2D-36S    | F5-8           |

**IN  
14**

| Model No.     | Section & Page | Model No.      | Section & Page | Model No.       | Section & Page | Model No.       | Section & Page   |
|---------------|----------------|----------------|----------------|-----------------|----------------|-----------------|------------------|
| HG-2D-36SK    | F5-8           | HG-4C-72       | F5-8           | HG-4E-72        | F5-8           | MV-0771-11CW    | E30              |
| HG-2D-48      | F5-8           | HG-4C-72K      | F5-8           | HG-4E-72K       | F5-8           | MV-0771-11NW    | E30              |
| HG-2D-48K     | F5-8           | HG-4C-72S      | F5-8           | HG-4E-72S       | F5-8           | MV-0771-12C     | E30              |
| HG-2D-48S     | F5-8           | HG-4D-24       | F5-8           | HG-4E-72SK      | F5-8           | MV-0771-12CW    | E30              |
| HG-2D-48-PS   | F5-8           | HG-4D-24K      | F5-8           | HG-4F-24        | F5-8           | MV-0771-12N     | P7               |
| HG-2D-48SK    | F5-8           | HG-4D-24S      | F5-8           | HG-4F-24SK      | F5-8           | MV-0771-12N-BV  | E31              |
| HG-2D-60      | F5-8           | HG-4D-24-PS    | F5-8           | HG-4F-36        | F5-8           | MV-0771-12N-BVT | E31              |
| HG-2D-60S     | F5-8           | HG-4D-24SK     | F5-8           | HG-4F-36K       | F5-8           | MV-0771-12NW    | E30; P7          |
| HG-2D-60-PS   | F5-8           | HG-4D-36       | F5-8           | HG-4F-36S       | F5-8           | MV-0771-12R     | E30              |
| HG-2D-60SK    | F5-8           | HG-4D-36K      | F5-8           | HG-4F-36SK      | F5-8           | MV-1907-11      | E30              |
| HG-2D-72      | F5-8           | HG-4D-36-PS    | F5-8           | HG-4F-48        | F5-8           | MV-1907-11CW    | E31              |
| HG-2D-72K     | F5-8           | HG-4D-36K-PS   | F5-8           | HG-4F-48K       | F5-8           | MV-1907-11CW-ER | E31              |
| HG-2D-72S     | F5-8           | HG-4D-36SK-PS  | F5-8           | HG-4F-48S       | F5-8           | MV-1907-12      | E30              |
| HG-2D-72SK    | F5-8           | HG-4D-36S      | F5-8           | HG-4F-48SK      | F5-8           | MV-1907-12C     | E30              |
| HG-2E-24      | F5-8           | HG-4D-36SK     | F5-8           | HG-4F-60        | F5-8           | MV-1907-12CW    | E31              |
| HG-2E-36      | F5-8           | HG-4D-48       | F5-8           | HG-4F-60K       | F5-8           | MV-2516         | E18, 32          |
| HG-2E-36K     | F5-8           | HG-4D-48K      | F5-8           | HG-4F-60S       | F5-8           | MV-2516-21      | E18, 32          |
| HG-2E-36S     | F5-8           | HG-4D-48-PS    | F5-8           | HG-4F-60SK      | F5-8           | MV-2516-22      | E18, 32          |
| HG-2E-36SK    | F5-8           | HG-4D-48K-PS   | F5-8           | HG-6D-48        | F5-8           | MV-2516-23      | E18, 32          |
| HG-2E-48      | F5-8           | HG-4D-48S      | F5-8           | HG-6D-72        | F5-8           | MV-2516-24      | E5, 7, 8, 18, 32 |
| HG-2E-48K     | F5-8           | HG-4D-48S-PS   | F5-8           | HG-SD-36        | F5-8           | MV-2516-31      | E18, 32          |
| HG-2E-48S     | F5-8           | HG-4D-48SEL-PS | F5-8           | HG-SD-48        | F5-8           | MV-2516-32      | E18, 32          |
| HG-2E-48SK    | F5-8           | HG-4D-48SK     | F5-8           | HW-2B-24        | F10, 11        | MV-2516-33      | E18, 32          |
| HG-2E-60      | F5-8           | HG-4D-48SK-PS  | F5-8           | HW-2B-36        | F10, 11        | MV-2516-34      | E18, 32          |
| HG-2E-60K     | F5-8           | HG-4D-60       | F5-8           | HW-2B-48        | F10, 11        | MV-2516-41      | E18, 32          |
| HG-2E-60S     | F5-8           | HG-4D-60K      | F5-8           | HW-2B-72        | F10, 11        | MV-2516-42      | E18, 32          |
| HG-2E-72      | F5-8           | HG-4D-60-PS    | F5-8           | HW-2C-36        | F10, 11        | MV-2516-43      | E18, 32          |
| HG-2E-72K     | F5-8           | HG-4D-60S      | F5-8           | HW-2C-48        | F10, 11        | MV-2516-44      | E18, 32          |
| HG-2E-72S     | F5-8           | HG-4D-60S-PS   | F5-8           | HW-2C-60        | F10, 11        | MV-2522         | E18, 32          |
| HG-2F-24      | F5-8           | HG-4D-60SK-PS  | F5-8           | HW-2C-72        | F10, 11        | MV-2522-04      | P6               |
| HG-2F-36      | F5-8           | HG-4D-60SK     | F5-8           | HW-2D-48        | F10, 11        | MV-2522-21      | E18, 32          |
| HG-2F-48      | F5-8           | HG-4D-72       | F5-8           | HW-4B-24        | F10, 11        | MV-2522-22      | E18, 32          |
| HG-2F-48K     | F5-8           | HG-4D-72K      | F5-8           | HW-4B-36        | F10, 11        | MV-2522-23      | E18, 32          |
| HG-2F-48SK    | F5-8           | HG-4D-72S      | F5-8           | HW-4B-48        | F10, 11        | MV-2522-24      | E5, 7, 8, 18, 32 |
| HG-2F-60      | F5-8           | HG-4D-72SK     | F5-8           | HW-4B-72        | F10, 11        | MV-2522-31      | E18, 32          |
| HG-2F-72      | F5-8           | HG-4E-24       | F5-8           | HW-4B-72VB      | F10, 11        | MV-2522-32      | E18, 32          |
| HG-4C-24      | F5-8           | HG-4E-24SK     | F5-8           | HW-4C-36        | F10, 11        | MV-2522-33      | E18, 32          |
| HG-4C-36      | F5-8           | HG-4E-36       | F5-8           | HW-4C-48        | F10, 11        | MV-2522-34      | E18, 32          |
| HG-4C-36K     | F5-8           | HG-4E-36K      | F5-8           | HW-4C-60        | F10, 11        | MV-2522-41      | E18, 32          |
| HG-4C-36S     | F5-8           | HG-4E-36S      | F5-8           | HW-4C-72        | F10, 11        | MV-2522-42      | E18, 32          |
| HG-4C-36SK    | F5-8           | HG-4E-36SK     | F5-8           | HW-4C-72VB      | F10, 11        | MV-2522-43      | E18, 32          |
| HG-4C-48      | F5-8           | HG-4E-48       | F5-8           | HW-4D-48        | F10, 11        | MV-2522-44      | E18, 32          |
| HG-4C-48K     | F5-8           | HG-4E-48K      | F5-8           | HW-6C-36        | F10, 11        | MV-3516-21      | E18, 32          |
| HG-4C-48S     | F5-8           | HG-4E-48K-PS   | F5-8           | HW-6C-48        | F10, 11        | MV-3516-22      | E18, 32          |
| HG-4C-48-PS   | F5-8           | HG-4E-48S      | F5-8           | HW-6D-48        | F10, 11        | MV-3516-23      | E18, 32          |
| HG-4C-48K-PS  | F5-8           | HG-4E-48S-RC   | F5-8           | MPY-2DCN-06     | A5             | MV-3516-24      | E5, 7, 8, 18, 32 |
| HG-4C-48SK    | F5-8           | HG-4E-48SK     | F5-8           | MPZ-2DCN-06     | A5             | MV-3516-24-RK   | E18              |
| HG-4C-48SK-PS | F5-8           | HG-4E-48SK-PS  | F5-8           | MPZ-2DLN-06     | A5             | MV-3516-25      | E18, 32; P6      |
| HG-4C-60      | F5-8           | HG-4E-60       | F5-8           | MPZ-8WCN-06     | A5             | ORK1            | E22              |
| HG-4C-60K     | F5-8           | HG-4E-60K      | F5-8           | MPZ-8WLN-06     | A5             | ORK2            | E22              |
| HG-4C-60S     | F5-8           | HG-4E-60S      | F5-8           | MPZ-KIT-LN06    | A5             | ORK3            | E22              |
| HG-4C-60SK    | F5-8           | HG-4E-60SK     | F5-8           | MPZ-KIT-LN06-CR | A5             | ORK-SK          | E22              |





# T&S Brass Your Water Conservation Leader



No doubt about it – we're the industry leader when it comes to water conservation. Because of our unparalleled product adaptability, there are literally hundreds of T&S products you can specify to conserve water and save energy.

Let the leader show you how easy it is to save! Many T&S faucets like our redesigned ChekPoint™ electronic sensor faucets need no modification to offer significant savings. Other standard faucets can be easily modified with low flow control aerators, as well as metering, self-closing and Cerama cartridges, saving you hundreds of gallons of water a year.



Many T&S pre-rinse units, spray valves and spray assemblies are proven conservation workhorses.

By specifying water-efficient plumbing products, builders and architects can help contribute toward credits for their building project to achieve a coveted LEED certification.\*

For more information, visit the *Water Conservation* section of our website, or call **T&S Customer Service** and request our *Water Conservation* literature.

**1-800-476-4103**  
[www.tsbrass.com](http://www.tsbrass.com)



\* The LEED (Leadership in Energy and Environmental Design) Green Building Rating System™ is a national voluntary standard developed by the U.S. Green Building Council (USGBC) for the design, construction and operation of high performance green buildings. Using the LEED system, builders and architects have the tools to determine how to design and maintain energy- and cost-efficient buildings.



**RELIABILITY BUILT IN™**

[www.tsbrass.com](http://www.tsbrass.com)

**T&S BRASS AND BRONZE WORKS, INC.**

2 Saddleback Cove • P.O. Box 1088 • Travelers Rest, SC 29690

*U.S. Toll-free* 800-476-4103 • +1 864-834-4102 • *Fax* 800-868-0084 • *E-mail* [tsbrass@tsbrass.com](mailto:tsbrass@tsbrass.com)

**West Coast Sales and Distribution**

4596 Ish Drive • Unit 220 • Simi Valley, CA 93063

*U.S. Toll-free* 800-423-0150 • +1 805-527-7696

**Shanghai Sales and Distribution**

Section A, 1<sup>st</sup> Floor, Building A • No. 368 Delin Road WGQ FTZ • Pudong, Shanghai, P.R.C. 200131

*Phone* +86 21 50462618

**European Sales Representative**

Versele Global Marketing • Generaal Deprezstraat 10B - B-8530 Harelbeke • Belgium

*Phone* +32 (0)56 245800 • [info@verseleglobal.com](mailto:info@verseleglobal.com)



Certified to NSF/ANSI 61 Section 9

800-017209-45

2012