



Lawson™ 42" (1067 mm) Drop-In Bath 71281100

Features

- Durable high-gloss finish.
- 60" (1524 mm) x 42" (1067 mm) x 20-5/16" (516 mm) finished dimensions

Material

- Compression molded from our exclusive solid Vikrell® material.



For complete listing of available colors, go to sterlingplumbing.com.

Codes/Standards

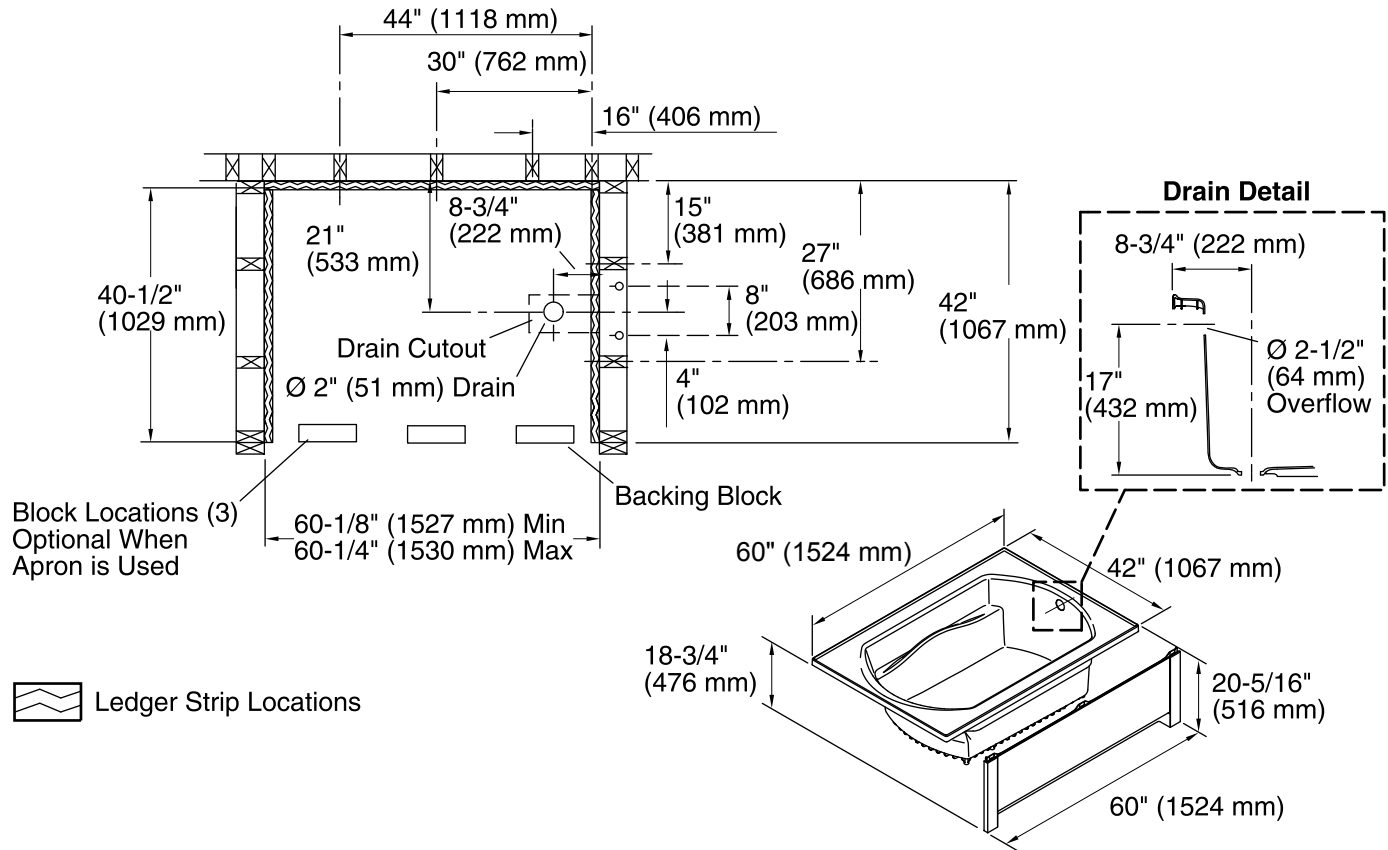
ASTM E162
ASTM E662
Greenguard UL 2818 - Gold
CSA B45.5/IAPMO Z124

STERLING® Warranty - Fixtures Made of Solid Vikrell Material

See website for detailed warranty information.

Product Specification

Bath shall be 60" (1524 mm) in length, 42" (1067 mm) in width, and 20-5/16" (516 mm) in height with flange. Bath shall be made of Vikrell® material with durable swirl-gloss finish. Bath shall be drop-in and have reversible drain. Bath shall be STERLING Model 71281100.



Technical Information

All measurements are nominal.

Installation:	Drop-in
Drain location:	Reversible
Basin area, bottom:	44" x 25-3/4" (1118 mm x 654 mm)
Basin area, top:	51" x 32-3/4" (1295 mm x 832 mm)
Water depth:	15-1/4" (387 mm)
Water capacity:	68 gal (257.4 L)

Door width required: 60" (1524 mm)

Installation Notes

Measure your actual product for roughing-in details.

Install this product according to the installation guide.

Studs should be positioned roughly as shown.

Double studding is recommended for pivot shower door installations.