



Ensemble™

32" (813 mm) Bath
71121120

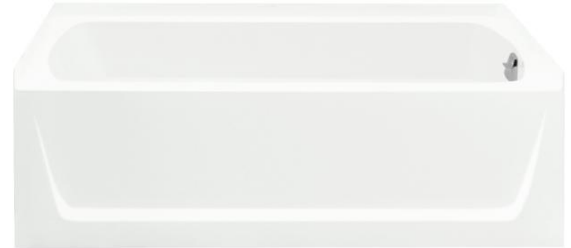


Features

- Durable high-gloss finish provides a smooth, shiny surface that is easy to clean.
- Extra deep bathing well for added comfort.
- Bath and integral apron eliminates installation step.
- 18" (457 mm) bath depth (floor to top of threshold).
- 2" wainscot allows tile installation above bath deck
- 60" (1524 mm) x 32" (813 mm) x 20" (508 mm) complete unit finished dimensions.

Material

- Compression molded from our exclusive solid Vikrell® material.



For complete listing of available colors, go to sterlingplumbing.com.

Codes/Standards

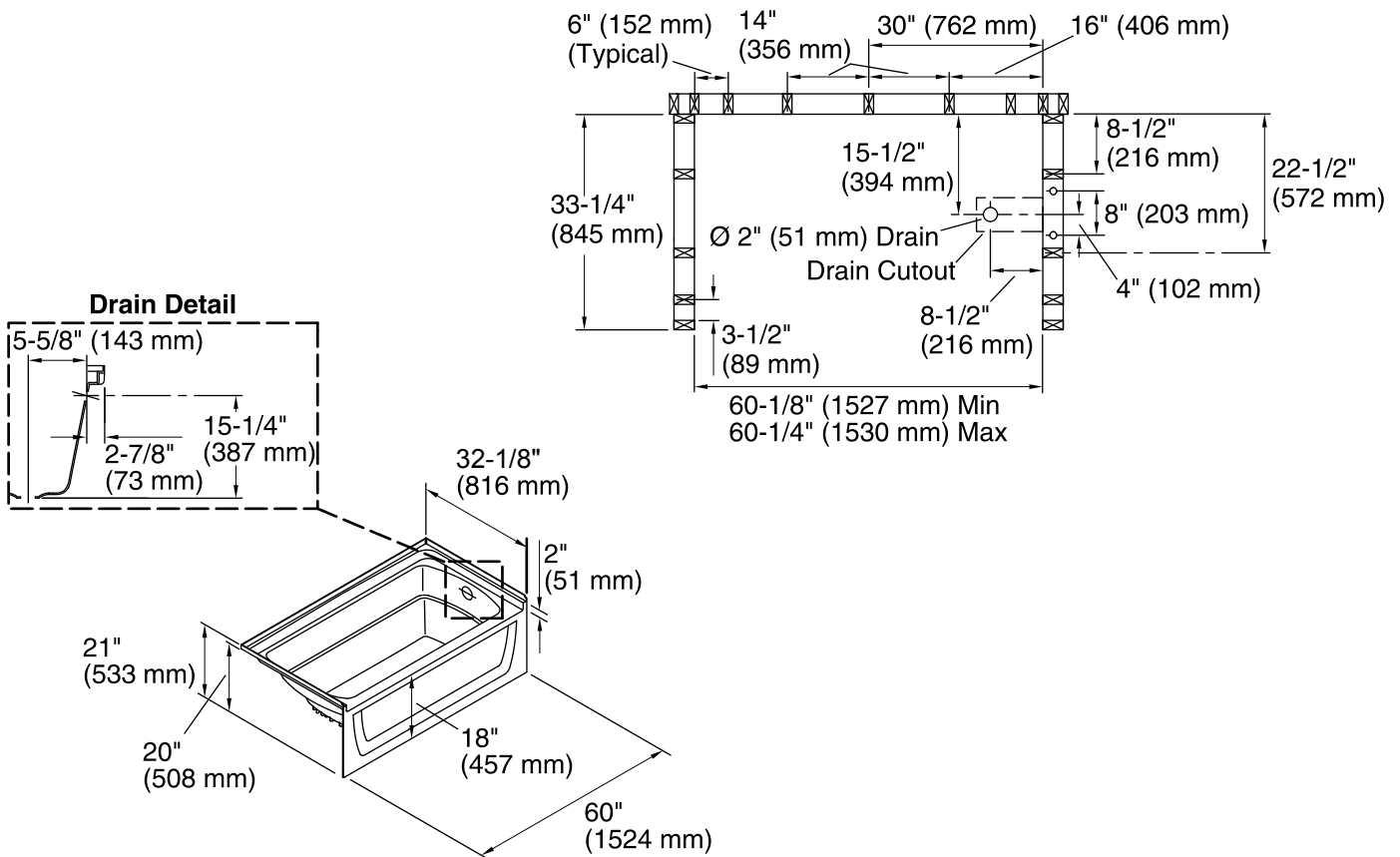
IAPMO/ANSI Z124.5
ASTM E162
ASTM E662
Greenguard UL 2818 - Gold
CSA B45.5/IAPMO Z124

STERLING® Warranty - Fixtures Made of Solid Vikrell Material

See website for detailed warranty information.

Product Specification

Bath shall be 60" (1524 mm) in length, 33-1/4" (845 mm) in width, and 21" (533 mm) in height with flange. Bath shall be made of Vikrell® material with durable high gloss finish. Bath shall have a 18" (457 mm) bath depth (floor to top of threshold). Bath shall have an integral apron and right drain. Bath shall be STERLING Model 71121120.



Technical Information

All measurements are nominal.

- Installation: Alcove with Flange
- Drain location: Right
- Basin area, bottom: 42" x 20" (1067 mm x 508 mm)
- Basin area, top: 54" x 26" (1372 mm x 660 mm)
- Water depth: 13-3/4" (349 mm)
- Water capacity: 55 gal (208.2 L)

Door width required: 57-11/16" (1465 mm)

Installation Notes

Measure your actual product for roughing-in details.

Install this product according to the installation guide.

Studs should be positioned roughly as shown.

Double studding is recommended for pivot shower door installations.