



Ensemble™

60" x 42" Bath
71111110



Features

- Durable high gloss finish.
- Gentle sloping back, neck, and armrests.
- Integral apron eliminates installation step.
- 3" (76 mm) wainscot/tile ledge.
- 16" (406 mm) bath depth (floor to top of threshold).
- 60" (1524 mm) x 42" (1066 mm) x 19" (483 mm) complete unit finished dimensions.

Material

- Compression molded from our exclusive solid Vikrell® material.



For complete listing of available colors, go to sterlingplumbing.com.

Codes/Standards

ASTM E162

ASTM E662

Greenguard UL 2818 - Gold

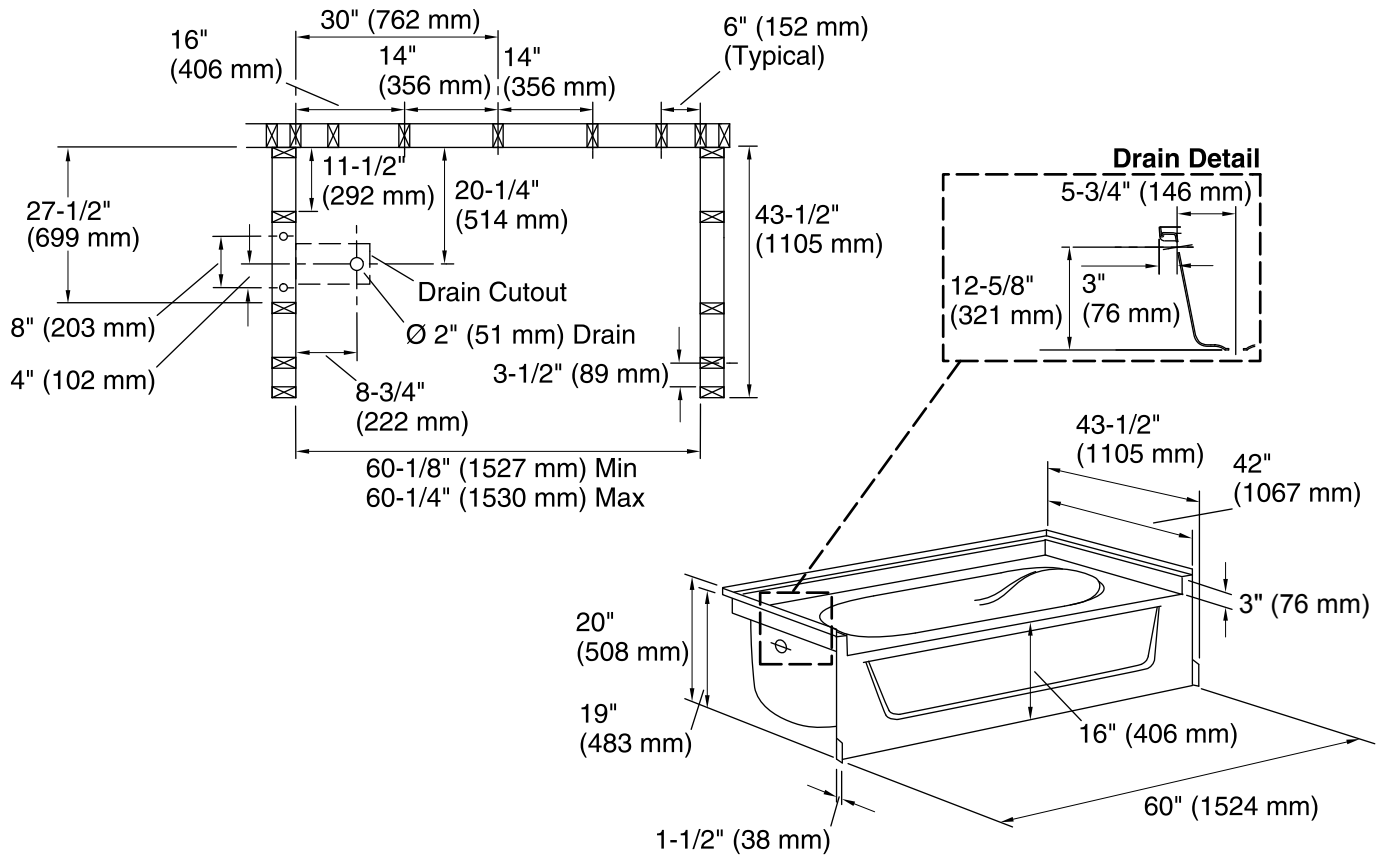
CSA B45.5/IAPMO Z124

STERLING® Warranty - Fixtures Made of Solid Vikrell Material

See website for detailed warranty information.

Product Specification

Bath shall be 60" (1524 mm) in length, 43-1/2" (1105 mm) in width, and 20" (508 mm) in height with flange. Bath shall be made of Vikrell® material with durable high gloss finish. Bath shall have a 16" (406 mm) bath depth (floor to top of threshold). Bath shall be oval, have an integral apron, and left drain. Bath and wall surround shall be STERLING Model 71111110.



Technical Information

All measurements are nominal.

- Installation: Alcove with Flange
- Drain location: Left
- Basin area, bottom: 40" x 27" (1016 mm x 686 mm)
- Basin area, top: 52" x 35" (1321 mm x 889 mm)
- Water depth: 11" (279 mm)
- Water capacity: 55 gal (208.2 L)

Door width required: 58-1/2" (1486 mm)

Installation Notes

- Measure your actual product for roughing-in details.
- Install this product according to the installation guide.
- Studs should be positioned roughly as shown.
- Double studding is recommended for pivot shower door installations.