



Ensemble™

60" x 36" Bath
71101110

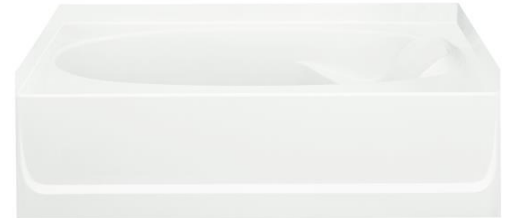


Features

- Durable high gloss finish.
- Gentle sloping back, neck, and armrests.
- Integral apron eliminates installation step.
- 3" (76 mm) wainscot/tile ledge.
- 16" (406 mm) bath depth (floor to top of threshold).
- 60" (1524 mm) x 36" (914 mm) complete unit finished dimensions.

Material

- Compression molded from our exclusive solid Vikrell® material.



For complete listing of available colors, go to sterlingplumbing.com.

Codes/Standards

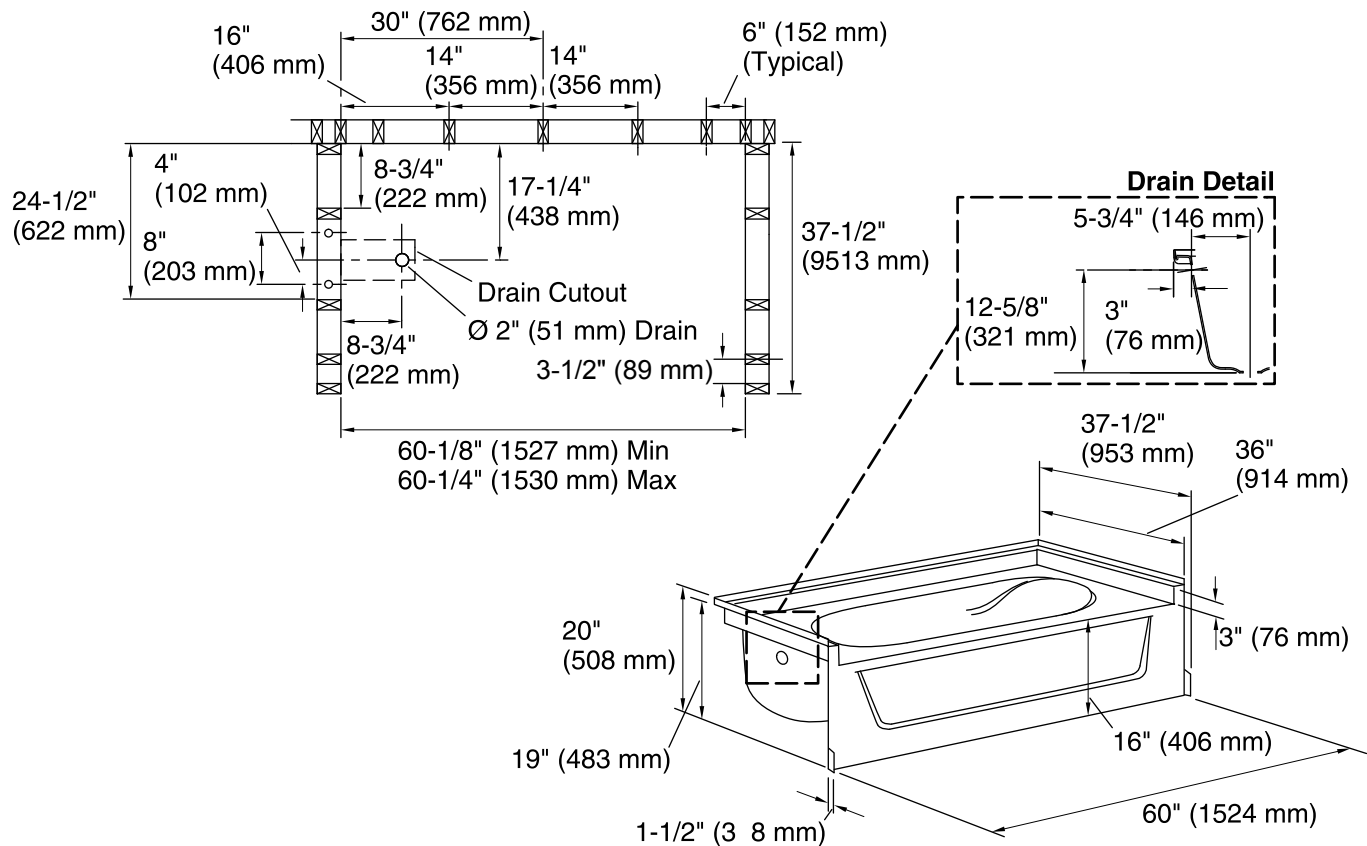
ASTM E162
ASTM E662
Greenguard UL 2818 - Gold
CSA B45.5/IAPMO Z124

STERLING® Warranty - Fixtures Made of Solid Vikrell Material

See website for detailed warranty information.

Product Specification

Bath shall be 60" (1524 mm) in length, 37-1/2" (953 mm) in width, and 20" (508 mm) in height with flange. Bath shall be made of Vikrell® material with durable high gloss finish. Bath shall have 16" (406 mm) bath depth (floor to top of threshold). Bath shall be oval, have an integral apron, and left drain. Bath and wall surround shall be STERLING Model 71101110.



Technical Information

All measurements are nominal.

Installation:	Alcove with Flange
Drain location:	Left
Basin area, bottom:	40" x 21" (1016 mm x 533 mm)
Basin area, top:	52" x 29" (1321 mm x 737 mm)
Water depth:	11" (279 mm)
Water capacity:	40 gal (151.4 L)
Door width required:	58-1/2" (1486 mm)

Installation Notes

Measure your actual product for roughing-in details.

Install this product according to the installation guide.

Size the drain hole clearance to fit the drain assembly that will be used.

Stud positioning is critical.

Studs should be positioned roughly as shown for support clip or roofing nail installation.