



# The Green Solution

## Inline 2" Floor Drain Trap Sealer

### Model SS2009

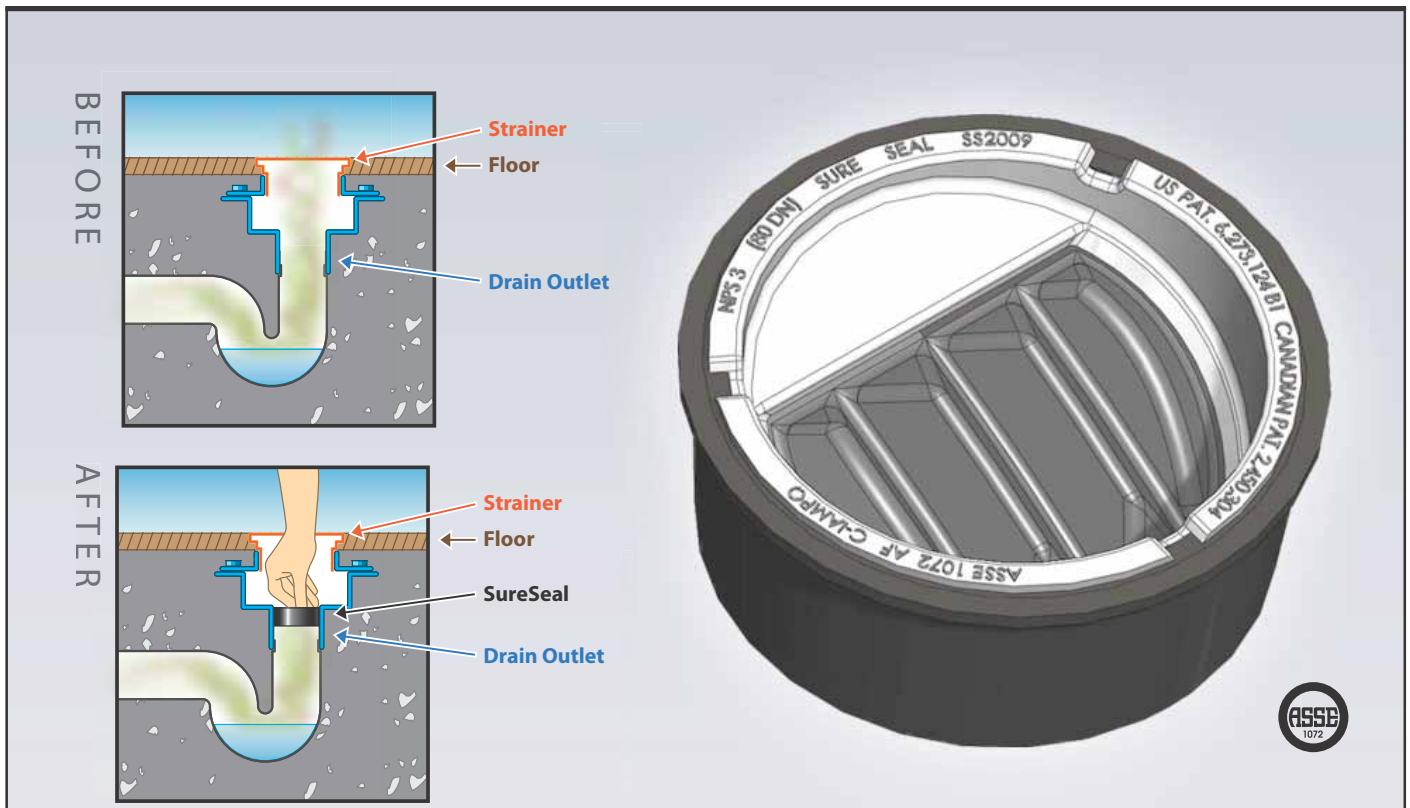


**Specification:** Sure Seal Model SS2009 preassembled Inline Floor Drain Trap Sealer. 3 pieces: 1 commercial grade ABS plastic housing & proprietary neoprene rubber diaphragm with 2 soft rubber sealing gaskets. Floor rating ASSE – 1072 AF-GW.

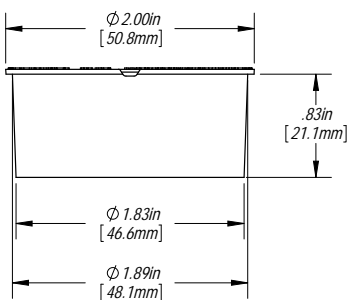
**Function:** Inline 2" Floor Drain Trap Sealer. Creates a physical barrier to block sewer gases and their odors from escaping.

- **New Construction:** Used in floor drains to provide added protection against escaping sewer gases. Eliminates the need to repair/replace trap primers when they fail.
- **Retrofit:** Used in situations where trap primers have failed or where trap primers were never installed.

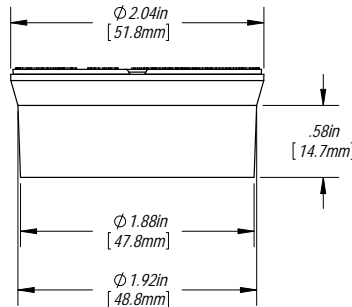
**Benefits:** Simple to install, eliminates the need for complex, time consuming, and expensive repairs. Provides added protection against noxious sewer gasses. ECO friendly saving water.



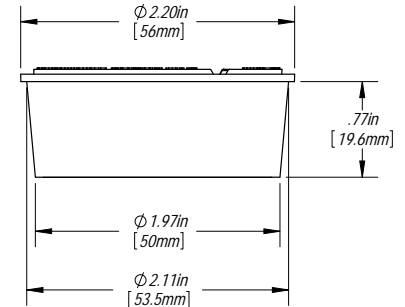
ICC-ES Listed: PMG-1070 IAPMO Listed: C-4165 Patents: US 6,273,124 B1 • CA 2,450,304 • Other Patents Pending



Housing (No Gasket)



Housing & Gasket A



Housing & Gasket B



# The Green Solution

## Inline 2" Floor Drain Trap Sealer

### Model SS2009L

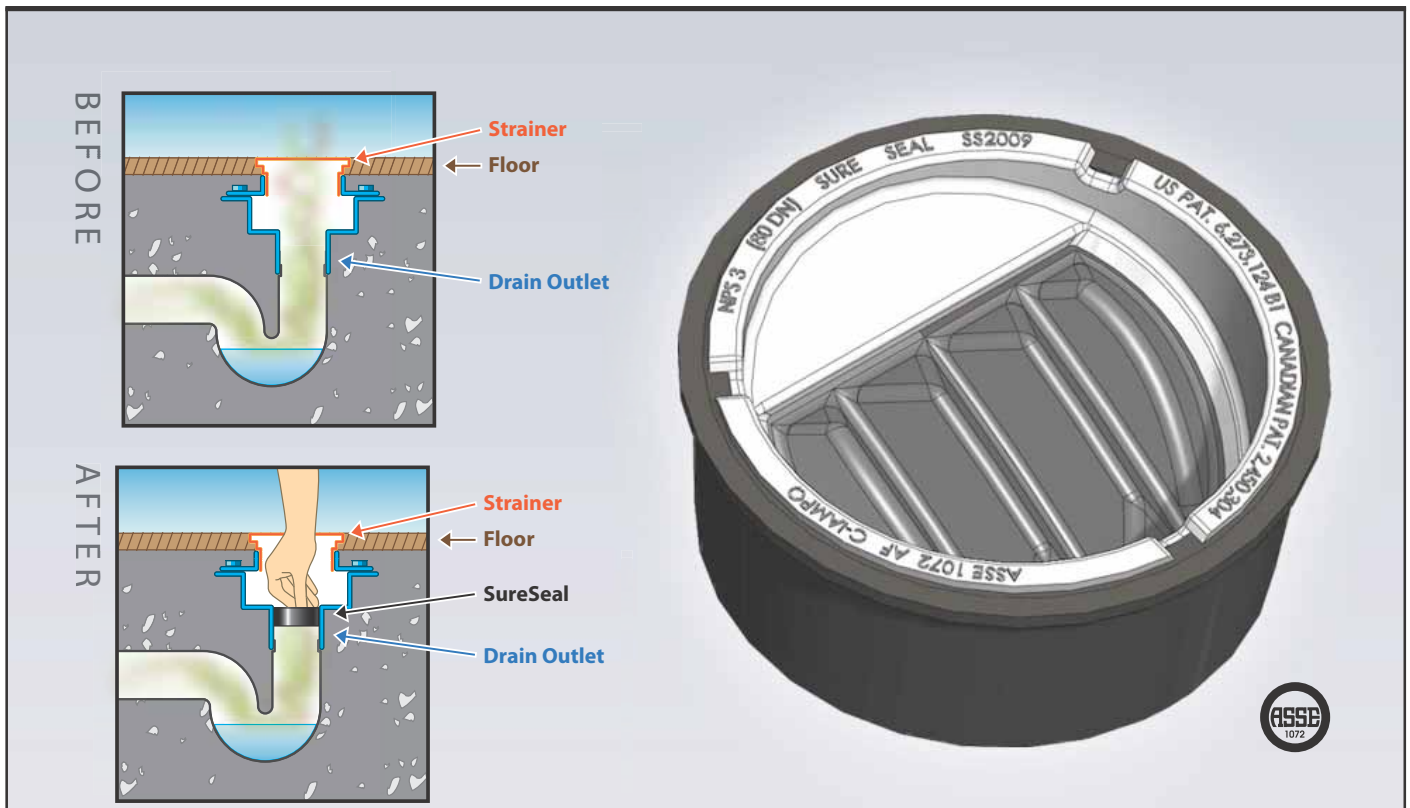


**Specification:** Sure Seal Model SS2009L preassembled Inline Floor Drain Trap Sealer. 3 pieces: 1 commercial grade ABS plastic housing & proprietary neoprene rubber diaphragm with 2 soft rubber sealing gaskets. Floor rating ASSE – 1072 AF-GW.

**Function:** Inline 2" Floor Drain Trap Sealer. Creates a physical barrier to block sewer gases and their odors from escaping.

- New Construction:** Used in floor drains to provide added protection against escaping sewer gases. Eliminates the need to repair/replace trap primers when they fail.
- Retrofit:** Used in situations where trap primers have failed or where trap primers were never installed.

**Benefits:** Simple to install, eliminates the need for complex, time consuming, and expensive repairs. Provides added protection against noxious sewer gasses. ECO friendly saving water.



ICC-ES Listed: PMG-1070 IAPMO Listed: C-4165 Patents: US 6,273,124 B1 • CA 2,450,304 • Other Patents Pending

