



SharkBite[®]

2XL





Scan with your
mobile device

IT'S ABOUT TIME



FEATURES AND BENEFITS

Quick Connect:

No tools, soldering, clamps, unions or glue required. Cut pipe square, de-burr to remove rough edges/debris, mark the pipe for correct depth and push to get a pressure ready connection every time.

Quick Disconnect:

Disconnect in seconds by sliding the Shark Shifter De-Mount Tool down the pipe to engage the demount lugs and rotate clockwise to lock in the open position leaving both hands free, you can now remove the pipe.

SAFE-Recessed Release Collar:

SharkBite 2XL requires a special Demount Tool and cannot be accidentally disconnected/released.

Extensive Range Including Slip Feature on Couplings and Tee's:

When repairing or tapping into existing pipe with "Push-Fittings" you must be able to either move the fitting or the pipe to ensure the pipe is engaged fully into the fitting. With rigid pipe like copper the only way with "Push-Fittings" is to have a SLIP feature to allow easy installation when tapping into existing pipe.

Easy Installation:

Unlike other tool intensive connection methods there is NO need to send multiple fitters to a job, SharkBite 2XL has been designed to be installed or removed by one person. All fittings are lubricated for easy connection and by fitting the Shark Shifter De-Mount Tool before engaging the pipe the force required can be reduced further. With the De-Mount Tool locked on you also have hands free disconnection.

WET OR DRY: No waiting for copper tube to dry before soldering or glue to cure, SharkBite makes an instant connection.

No Tools:

Unlike alternative tool intensive connection systems, SharkBite has no special tooling required for installation.

No Time:

Fastest connection - CUT-PUSH-DONE.

Easy access to small or tight spaces.

No Flame - Does not require fire permit or fire marshal.

No Waste:

Should you make an error or simply want to change your installation, no problem for SharkBite. Simply remove and re-use. (Fittings used for repeated testing must not be used in any permanent application).

Fittings Cannot be Disassembled:

SharkBite 2XL Fittings are factory assembled and components cannot be removed.

Long Pipe Engagement:

Provides pipe support against lateral pipe forces.

Lead Free (LF) Dezincification Resistance (DZR) Brass:

Exceeds current no lead legislation - AB1953 or NSF372. Suitable for underground installation subject to local code authorities/inspectors. Dezincification properties (DZR) exceed ISO6509 and NSF-14.

Environmentally Friendly:

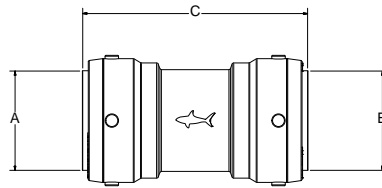
Remove and re-use fittings, no need to be scrapped. No heat is required for installation.

2XL PRODUCT RANGE



Coupling

SIZE	P/N
1-1/4"	SB0135
1-1/2"	SB0141
2"	SB0154



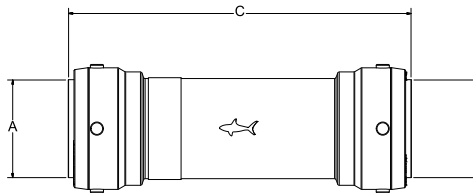
Coupling

P/N	A	B	C	Weight
SB0135	1-1/4"	1-1/4"	3.26"	0.84
SB0141	1-1/2"	1-1/2"	4.37"	1.15
SB0154	2"	2"	4.80"	1.56



Slip Coupling

SIZE	P/N
1-1/4"	SB0635
1-1/2"	SB0641
2"	SB0654



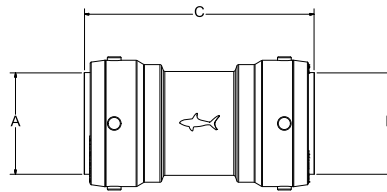
Slip Coupling

P/N	A	B	C	Weight
SB0635	1-1/4"	1-1/4"	6.69"	1.20
SB0641	1-1/2"	1-1/2"	7.40"	1.71
SB0654	2"	2"	7.98"	2.33



Reducing Coupling

SIZE	P/N
1-1/4" X 1"	SB013528
1-1/2" X 1-1/4"	SB014135
2" X 1-1/2"	SB015441



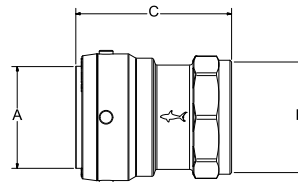
Reducing Coupling

P/N	A	B	C	Weight
SB013528	1-1/4"	1"	3.26"	0.69
SB014135	1-1/2"	1-1/4"	4.37"	1.02
SB015441	2"	1-1/2"	4.80"	1.42



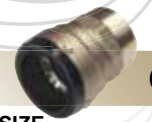
Connector Female

SIZE	P/N
1-1/4" X 1-1/4" FNPT	SB113532F
1-1/2" X 1-1/2" FNPT	SB114140F
2" X 2" FNPT	SB115450F



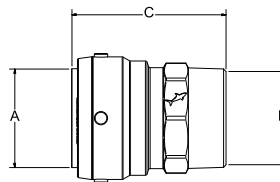
Connector Female

P/N	A	B	C	Weight
SB113532F	1-1/4"	1-1/4" FNPT	2.98"	0.72
SB114140F	1-1/2"	1-1/2" FNPT	3.21"	0.92
SB115450F	2"	2" FNPT	3.42"	1.23



Connector Male

SIZE	P/N
1-1/4" x 1-1/4" MNPT	SB113532M
1-1/2" x 1-1/2" MNPT	SB114140M
2" x 2" MNPT	SB115450M



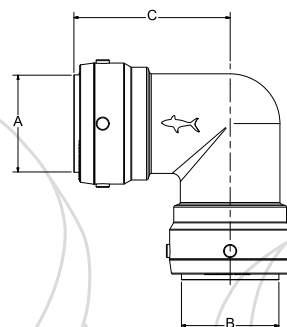
Connector Male

P/N	A	B	C	Weight
SB113532M	1-1/4"	1-1/4" MNPT	3.03"	0.71
SB114140M	1-1/2"	1-1/2" MNPT	3.20"	0.89
SB115450M	2"	2" MNPT	3.43"	1.20



90° Elbow

SIZE	P/N
1-1/4"	SB0235
1-1/2"	SB0241
2"	SB0254



90° Elbow

P/N	A	B	C	Weight
SB0235	1-1/4"	1-1/4"	2.80"	1.07
SB0241	1-1/2"	1-1/2"	3.16"	1.52
SB0254	2"	2"	3.60"	2.18

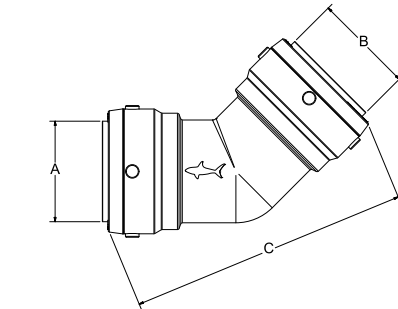


2XL PRODUCT RANGE



45° Elbow

SIZE	P/N
1-1/4"	SB0535
1-1/2"	SB0541
2"	SB0554



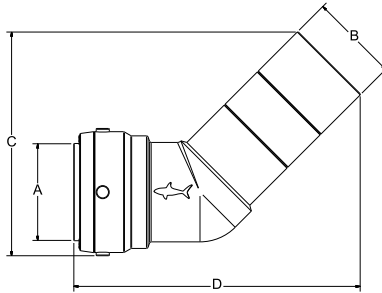
45° Elbow

P/N	A	B	C	Weight
SB0535	1-1/4"	1-1/4"	5.15"	0.97
SB0541	1-1/2"	1-1/2"	5.77"	1.35
SB0554	2"	2"	6.50"	1.91



45° Street Elbow

SIZE	P/N
1-1/4" x FTG	SB0735
1-1/2" x FTG	SB0741
2" x FTG	SB0754



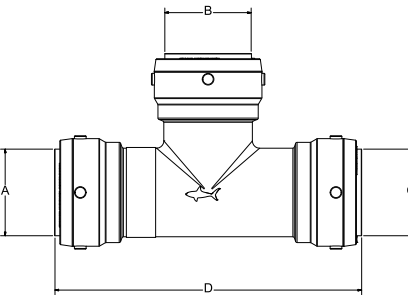
45° Street Elbow

P/N	A	B	C	D	Weight
SB0735	1-1/4"	1-1/4"	4.24"	5.45"	0.97
SB0741	1-1/2"	1-1/2"	4.70"	6.05"	1.35
SB0754	2"	2"	5.30"	6.74"	1.91



Tee Slip Feature

SIZE	P/N
1-1/4"	SB0335
1-1/2"	SB0341
2"	SB0354



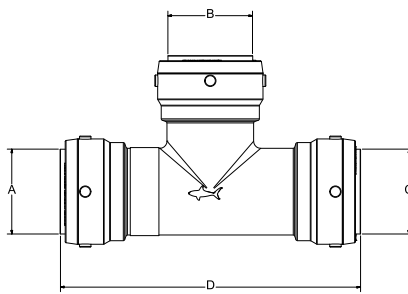
Tee Slip Feature

P/N	A	B	C	D	Weight
SB0335	1-1/4"	1-1/4"	1-1/4"	6.50"	1.61
SB0341	1-1/2"	1-1/2"	1-1/2"	6.70"	2.26
SB0354	2"	2"	2"	7.99"	3.07



Reducing Tee Slip Feature

SIZE	P/N
1-1/4" x 1-1/4" x 1/2"	SB03353516
1-1/4" x 1-1/4" x 3/4"	SB03353522
1-1/4" x 1-1/4" x 1"	SB03353528
1-1/2" x 1-1/2" x 3/4"	SB03414122
1-1/2" x 1-1/2" x 1"	SB03414128
1-1/2" x 1-1/2" x 1-1/4"	SB03414135
2" x 2" x 1"	SB03545428**
2" x 2" x 1-1/4"	SB03545435
2" x 2" x 1-1/2"	SB03545441



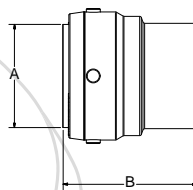
Reducing Tee Slip Feature

P/N	A	B	C	D	Weight
SB03353516	1-1/4"	1/2"	1-1/4"	6.70"	1.25
SB03353522	1-1/4"	3/4"	1-1/4"	6.70"	1.28
SB03353528	1-1/4"	1"	1-1/4"	6.70"	1.42
SB03414122	1-1/2"	3/4"	1-1/2"	7.39"	1.78
SB03414128	1-1/2"	1"	1-1/2"	7.39"	1.92
SB03414135	1-1/2"	1-1/4"	1-1/2"	7.39"	2.08
SB03545428	2"	1"	2"	7.99"	2.55
SB03545435	2"	1-1/4"	2"	7.99"	2.72
SB03545441	2"	1-1/2"	2"	7.99"	2.86



End Cap

SIZE	P/N
1-1/4"	SB0435
1-1/2"	SB0441
2"	SB0454



End Cap

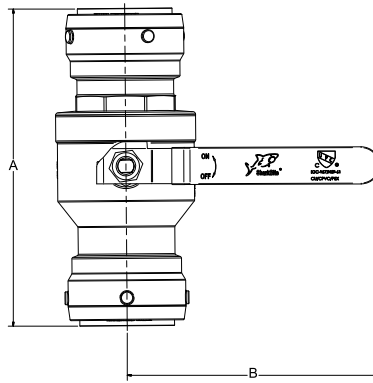
P/N	Size	A	B	Weight
SB0435	1-1/4"	2.35"	2.35"	0.57
SB0441	1-1/2"	2.62"	2.62"	0.82
SB0554	2"	2.89"	2.89"	1.25

2XL PRODUCT RANGE



Ball Valve

SIZE	P/N
1-1/4"	SBBV35
1-1/2"	SBBV41
2"	SBBV54



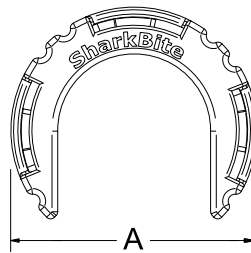
Ball Valve

P/N	Size	A	B	Weight
SBBV35	1-1/4"	6.08"	5.10"	2.06
SBBV41	1-1/2"	6.79"	6.10"	2.99
SBBV54	2"	7.58"	6.16"	4.45



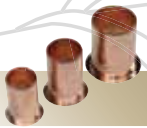
Shark Shifter De-Mount Tools

SIZE	P/N
1-1/4" DE-Mount Clip	SBDC35
1-1/2" DE-Mount Clip	SBDC41
2" DE-Mount Clip	SBDC54
Shifter Set De-MOUNT Tools	SBDC354154



Shark Shifter De-Mount Tools

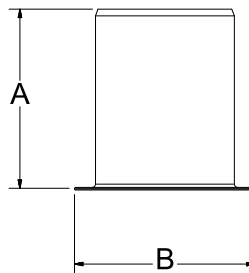
P/N	Size	A	Weight
SBDC35	1-1/4"	2.70"	0.07
SBDC41	1-1/2"	2.94"	0.08
SBDC54	2"	2.45"	0.09



PEX Stiffener

SIZE	P/N
1-1/4"	SBTL35
1-1/2"	SBTL41
2"	SBTL54

* All weights are in pounds



Pex Stiffener

P/N	Size	A	B	Weight
SBTL35	1-1/4"	1.65"	1.34"	0.08
SBTL41	1-1/2"	1.89"	1.59"	0.10
SBTL54	2"	2.09"	2.09"	0.15



All SharkBite 2XL Fittings are supplied in individual sealed bags for protection and ensure the fittings remain clean and free of dirt or debris only remove from the bag just prior to installation.

SPECIFICATION DATA

Body	DZR Brass-Lead Free Alloy.
O Ring	Chloramine resistant EPDM.
Tube Liner	Copper.
Grab Ring	316 Stainless Steel.
Locking Ring	PSU/PPSU Blend.
BV Cap	DZR Brass-Lead Free Alloy.
BV Ball	316 Stainless Steel.
BV Spindle	DZR Brass-Lead Free.
BV Seat	PTFE.
BV Handle	Mild Steel.

CONNECTIONS

Tube Connections	CTS.
Threaded Connections	Male or Female NPT.
Street Connections	CTS.

CERTIFICATIONS

IAPMO IGC 157: Ball Valves- This standard covers material, testing, dimensional and performance requirements. ASSE 1061: Fittings- Performance requirements for removable & non-removable push-fit fittings.

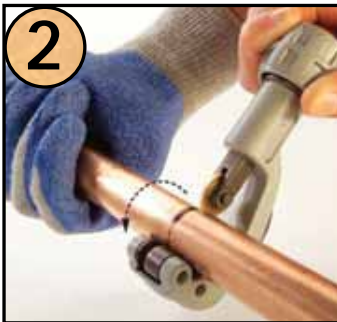


CONNECTION AND DISCONNECTION

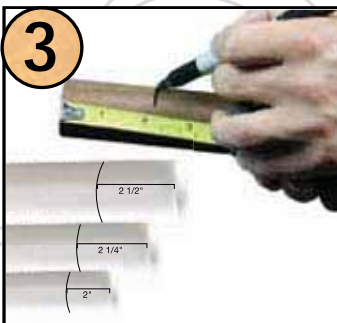
CONNECTION



Make sure you have all tools required



Cut COPPER, CPVC or PEX using a quality Tuber or Pipe Cutter with a sharp blade.



Remove BURRS and ensure pipe surface is free of scratches and any debris. It is CRITICAL that pipe be marked with the correct insertion depth as listed below;

- 1-1/4" Pipe Insertion Depth = 2"
- 1-1/2" Pipe Insertion Depth = 2-1/4"
- 2" Pipe Insertion Depth = 2-1/2"



Align pipe with the fitting, insert pipe while rotating either pipe or fitting.

SharkBite 2XL PEX Stiffener must be inserted into PEX pipe prior to fitting.



Connection is complete when pipe is fully inserted with depth insertion marked on pipe is still visible at the head of the fitting.

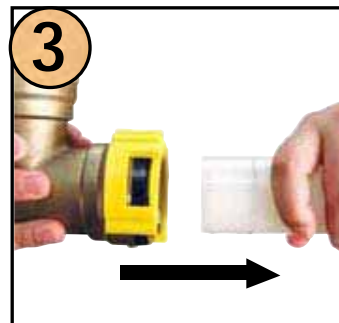
DISCONNECTION



Shark Shifter De-Mount Tool to pipe just above the connection then slide down to engage lugs on the head of the fitting.

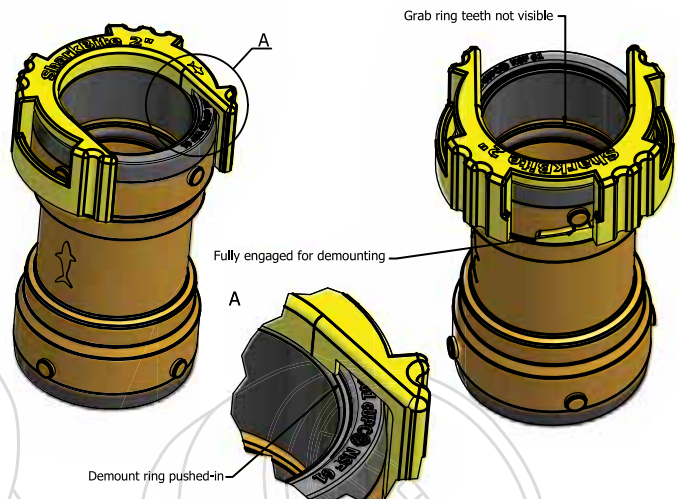


Rotate Shark Shifter De-Mount Tool clockwise to locate on lugs, rotate a further 1/2" to disconnect.



Withdraw pipe from fitting then rotate Shark Shifter De-Mount Tool anti-clockwise to remove from fitting.

Quality engineering. Recessed release collar guarantees NO accidental disconnection; connection can only be released with Shark Shifter Tool.



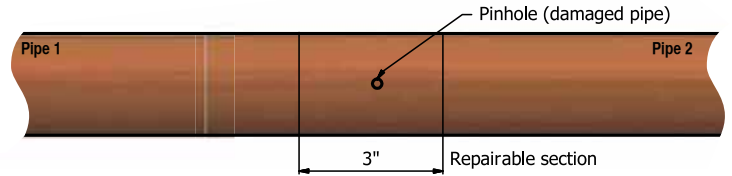
SLIP FEATURE FUNCTION

The SLIP Feature Function is unique to the SharkBite® 2XL range apart from the largest range of large bore Push-to-Connect Fittings in the Nth American market, SharkBite® 2XL SLIP Couplings and ALL Tee's come with the SLIP Feature Function as standard.

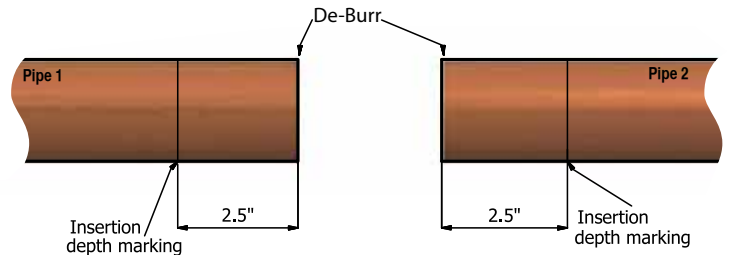
Demonstrated below is the correct procedure for installing SharkBite® SLIP Couplings and Tee's with the Slip Feature Function into a **2" COPPER Pipe**.

NOTE - PEX PIPE can be used (requires a SharkBite® PEX Stiffener pre-fitted to pipe) provided the Shark Shifter Tool is fitted to the SLIP End of the fitting prior to pipe insertion into fitting.

1 PROBLEM.
Identify the section to be removed for repair using a SLIP Coupling and if you are tapping into an existing pipe line using a SLIP Tee.
Mark section to be removed depending on the pipe size as per following;
1-1/4" Pipe repairable section 2-1/2".
1-1/2" Pipe repairable section 2-3/4".
2" Pipe repairable section 3"
(Demonstrated here)
Nominated repairable section must be removed any smaller section will not provide room to engage the second pipe and would partially block flow of the branch on a Tee. Larger sections would create short engagement and installation failure.



2 CUT.
Cut out section using a quality Tuber or Pipe Cutter with a sharp blade. Remove BURRS and ensure pipe surface is free of scratches and any debris. It is CRITICAL that BOTH pipes be marked with the correct insertion depth as listed below;
1-1/4" Pipe Insertion Depth = 2".
1-1/2" Pipe Insertion Depth = 2-1/4".
2" Pipe Insertion Depth = 2-1/2".
(Demonstrated here)



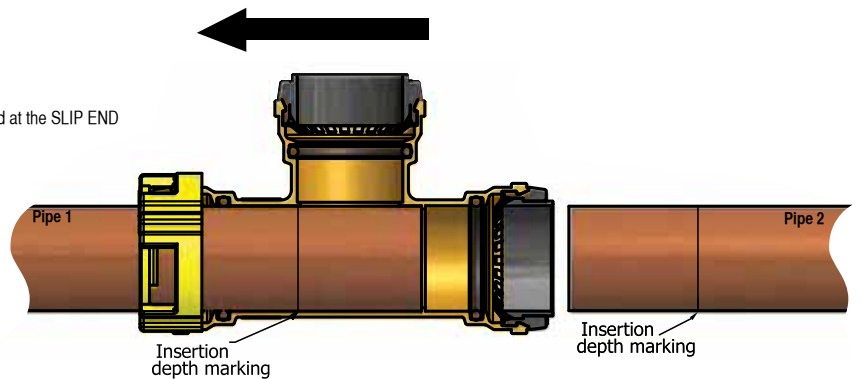
3 PUSH.
All SLIP Couplings and Tee's come fitted with an instruction band at the SLIP END of the fitting stating;
SIZE OF PIPE for installation. Size of section that can be removed. Insertion mark depth on both pipes. Direction fitting is to move.



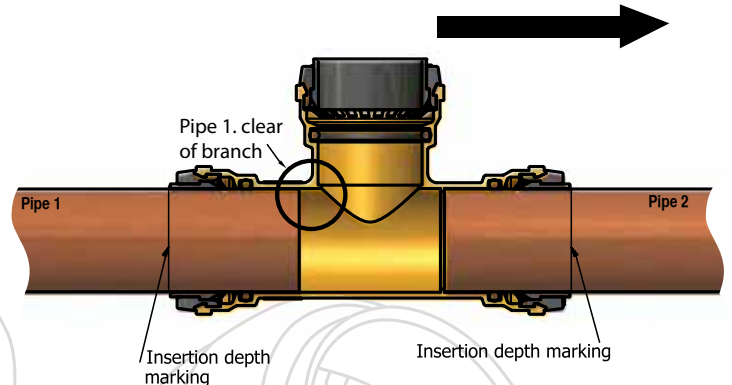
Align pipe 1 with the bore of the SLIP END of the fitting. Insert pipe 1 while rotating either pipe or fitting until the stop end of the fitting is clear of pipe 2.

****NOTE - At this point the bore of the branch of the Tee is completely blocked.**

Engage Shark Shifter De-Mount Tool to the SLIP END of the fitting the grab ring teeth and now disengaged allowing pipe 1 to be withdrawn. Shark Shifter can be fitted prior to or after SLIP end if engaged.

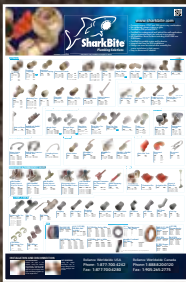


4 DONE.
With the Shark Shifter fitted to the SLIP END withdraw pipe 1 allowing pipe 2 to engage up to the INSERTION DEPTH MARK and NOT withdrawing pipe 1 any further than the INSERTION DEPTH MARK, marked on pipe 1.
****NOTE - Pipe is now clear of the branch allowing full flow.**
You can now remove Shark Shifter De-Mount Tool from the SLIP End of the fitting.
You have now completed a repair or added a new line into an existing system in minutes. Remember all SharkBite® Fittings can be installed WET or DRY, and suitable for use on COPPER, CPVC and PEX.
****NOTE - PEX Pipe can be used (requires a SharkBite® PEX Stiffener pushed firmly into pipe) provided Shark Shifter Tool is fitted to the SLIP End of the fitting prior to pipe insertion into fitting.**





SharkBite[®] 2XL



SharkBite[®] Poster

Available in 3 sizes 24" x 36", 18" x 24" & 11" x 17". Showing all 200 SharkBite[®] product including 2XL and PEX Pipe.



SharkBite[®] Peg Board Display

Hard display of NEW and exciting SharkBite[®] product.



SharkBite[®] Catalog

Full comprehensive listing of all SharkBite[®] Push-to-Connect from 1/4" through to 1" including PEX Pipe and SharkBite[®] BARB Fittings.



Make Your Own Riser

A complete range of SharkBite[®] fittings, stop valves and PEX Tubing it's easy to make risers the exact length needed for connecting fixtures and appliances.



SharkTech

Learn how to use SharkBite[®] and other Cash Acme products with the SharkTech Training team. Email info@sharkbite.com for more information about training programs.



PRV Brochure

A guide to the complete Pressure Regulating Valve family, built by Cash Acme.



TMV Brochure

The essential collection of Cash Acme's HeatGuard[®] Thermostatic Mixing Valve range, including products connected by SharkBite[®].



MultiFLEX

The newest member to the Heatguard[®] family, the complete water heater temperature control kit. Delivers safe water and increase household hot water demands.



Backflow Preventer Brochure

Cash Acme continues to expand its product line with a complete offering of backflow prevention devices that make service easy and performance a given.



Website Training Videos

Visit the How It Works section of sharkbite.com for a complete library of SharkBite[®] installation videos including SharkBite[®] 2XL.

Reliance Worldwide USA
2727 Paces Ferry Road SE
Building Two, Suite 1800
Atlanta, GA 30339
1-877-700-4242
Fax: 1-877-700-4280
www.sharkbite.com

Reliance Worldwide Canada
74 Alex Avenue
Vaughan, Ontario, L4L 5X1
1-888-820-0120
Fax: 1-905-265-2775
www.sharkbite.com