

# INSTALLATION INSTRUCTIONS

## 825 Series Shower Drain

The 825 Series shower drains are used with fiberglass shower bases or one-piece shower units.

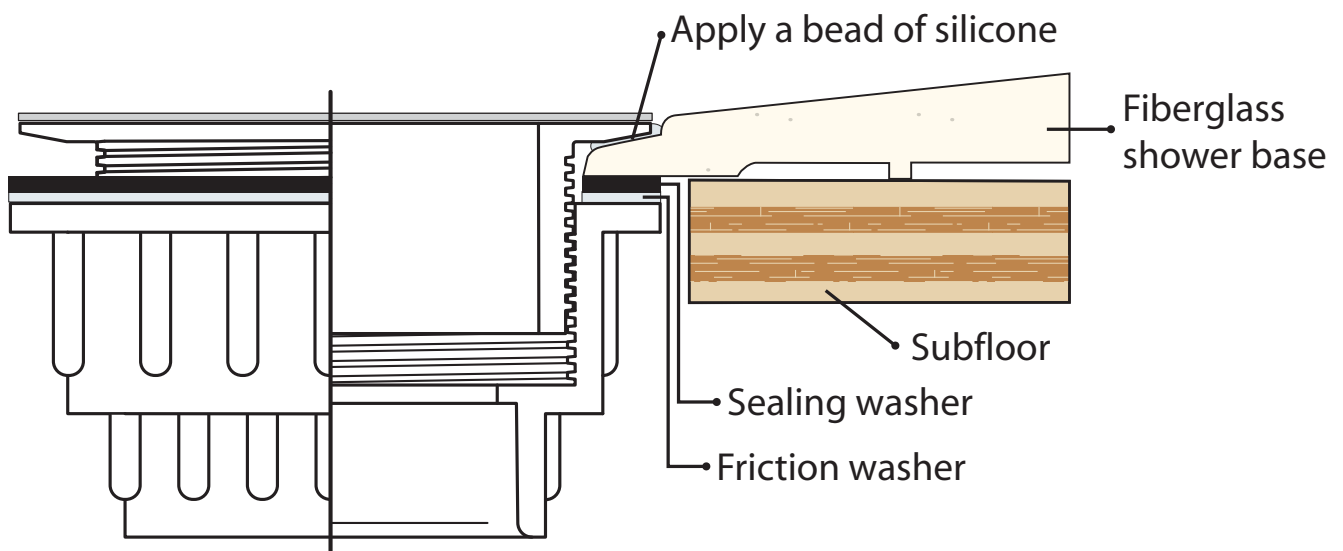
To install, separate the drain into a top (male threads / strainer) and bottom (female threads / glue hub / washers) portion.

Apply a bead of silicone to the underside of the top portion, then place it through the drain hole in the shower base.

From underneath the shower, place the black rubber sealing washer, then friction washer then bottom portion over the male threads, and tighten. The friction washer protects the rubber from damage while the bottom portion is threaded on and tightened up.

From the top side of the shower, remove any excess silicone that has squeezed out. The fiberglass shower base is sandwiched between the top portion (male threads) and the bottom portion. The sealing washer on the under side, along with the silicone sealant applied between the shower floor and the top portion, keeps the drain water tight.

Solvent weld the drain pipe into the hub in the bottom portion using the appropriate solvent cement. Allow 24 hours for the silicone to cure, and check installation for leaks.



Supply • Drainage • Support • Testing • Specialties • Tools • Access



Sioux Chief Manufacturing Company • tel: 1-800-821-3944 • www.siouxchief.com • fax: 1-800-758-5950