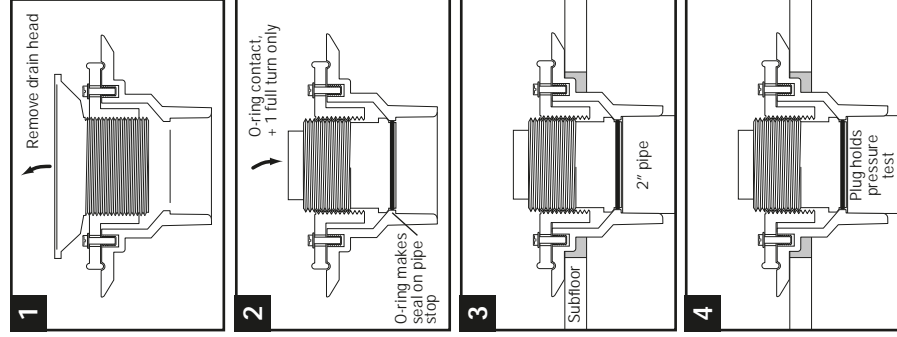


DoubleDuty™ Test Plug Installation



To Perform DWV pressure test

1. Be sure to check with, and follow all local plumbing codes during installation and testing of drain.
- Unscrew and remove drain head. Keep head for later installation.

LUBRICATE O-RING

Use silicone stem lube, lip balm, liquid soap, etc.

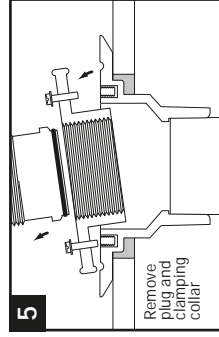
2. Align lugs on test plug (just above o-ring) with slots in clamping collar. Push plug through collar.

THREAD PLUG INTO COLLAR UNTIL O-RING CONTACTS PIPE STOP, THEN GIVE 1 FULL TURN ONLY - DO NOT OVERTIGHTEN

3. Set drain body to subfloor and solvent weld to drain piping per typical installation procedures.
4. Perform DWV pressure test. Plug can remain in place, to prevent loss or damage to drain head, and to keep debris out of the drain line.



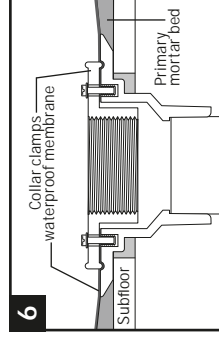
DoubleDuty™ Test Plug Installation



To Perform shower pan test

5. Be sure to check with, and follow all local plumbing codes during installation and testing of drain.

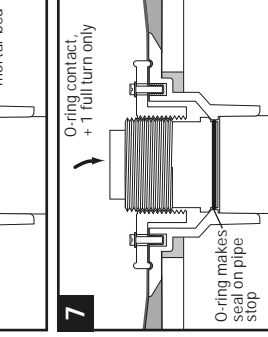
Remove test plug from collar, and remove clamping collar and bolts.



6. Install waterproofing membrane under clamping collar per typical installation procedures.

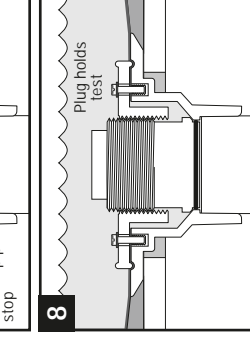
LUBRICATE O-RING

Use silicone stem lube, lip balm, liquid soap, etc.



7. Align lugs on test plug (just above o-ring) with slots in clamping collar. Push plug through collar.

THREAD PLUG INTO COLLAR UNTIL O-RING CONTACTS PIPE STOP, THEN GIVE 1 FULL TURN ONLY - DO NOT OVERTIGHTEN



8. Fill shower pan and perform shower pan test. When test is complete, replace test plug with drain head, or plug can remain in place until tile installation.