

SHOWER PAN DRAIN

821 SERIES

SPECIFICATION

Sioux Chief 821 series shower pan drain shall be used where necessary in drainage systems. Drain shall have a beveled flashing base adapter with mounting holes for subfloor installation. Strainer shall meet all load and flow requirements for installations in shower areas. Invertible clamping collar shall fasten to drain body with four screws that thread into brass inserts. Drain body shall have a 2" Sch. 40 hub connection and connect to DWV pipe via solvent weld joint. Designed in accordance with ASME A112.18.2-2005 / CSA B125.2-05.

MATERIALS

strainer: Nickel-bronze, 301 stainless steel
 head adapter: Gray ABS
 clamping collar: Gray ABS
 collar bolts: zinc-plated hex cap screws
 base adapter: Gray PVC or black ABS

STRAINER LOAD RATING

1,000 lbs.

STRAINER FREE AREA

round: 4.5 in²
 square: 7.6 in²

STRAINER FLOW CAPACITY*

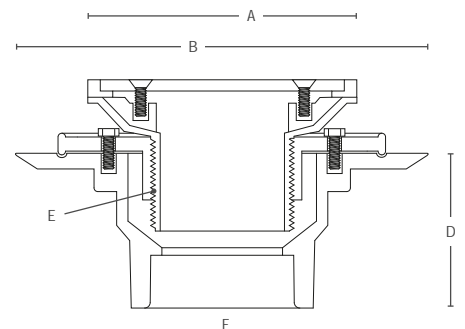
round: 9.7 GPM
 square: 16.4 GPM

DIMENSIONS

- A: top diameter 4 1/2"
- B: flange diameter 6 5/8"
- C: adjustable height 3 15/16" - 5 15/16"
- D: drain body height 2 5/8"
- E: head adapter thread 2" MIP
- F: connection 2" Sch. 40 hub

* Estimated/calculated flow rate through the strainer (not the entire drain) at 1/4" head.

ITEM # SUBMITTED	_____
JOB NAME	_____
LOCATION	_____
ENGINEER	_____
CONTRACTOR	_____
PO#	_____ TAG _____



Create Item Number

821-ABC

e.g. 821-200PSR: Shower drain with round matte stainless ring/strainer and 2" PVC Sch. 40 hub connection

A TEST PLUG

- T DoubleDuty™ test plug included
- _ No test plug

B CONNECTION

- 200A ABS Sch. 40 hub
- 200P PVC Sch. 40 hub

C RING/STRAINER

- NR Nickel-bronze - round
- NQ Nickel-bronze - square
- SR Matte stainless - round
- SQ Matte stainless - square
- CR Polished stainless - round
- CQ Polished stainless - square
- RBR Oil-rubbed bronze finish¹ - round
- RBQ Oil-rubbed bronze finish¹ - square

¹ Powder-coat finish applied to nickel-bronze ring/strainer