

**Also Available**

# Ox Box™ Ice Maker Outlet Box

Patent Pending

- Boxes mount securely to stud
- Durable ABS stands up to job site abuse
- Available with Mini-Rester water hammer arrester
- High-quality, North American quarter-turn ball valve

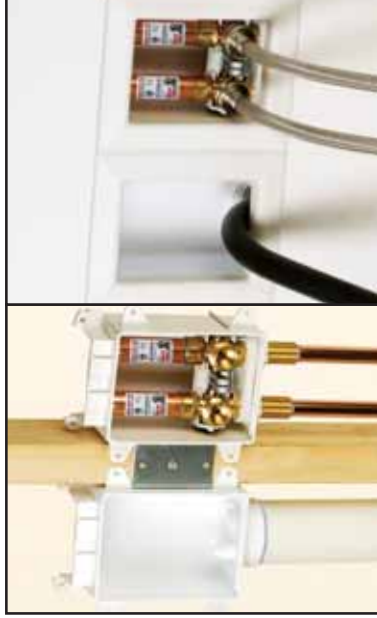
# Ox Box™

## Washing Machine Outlet Box

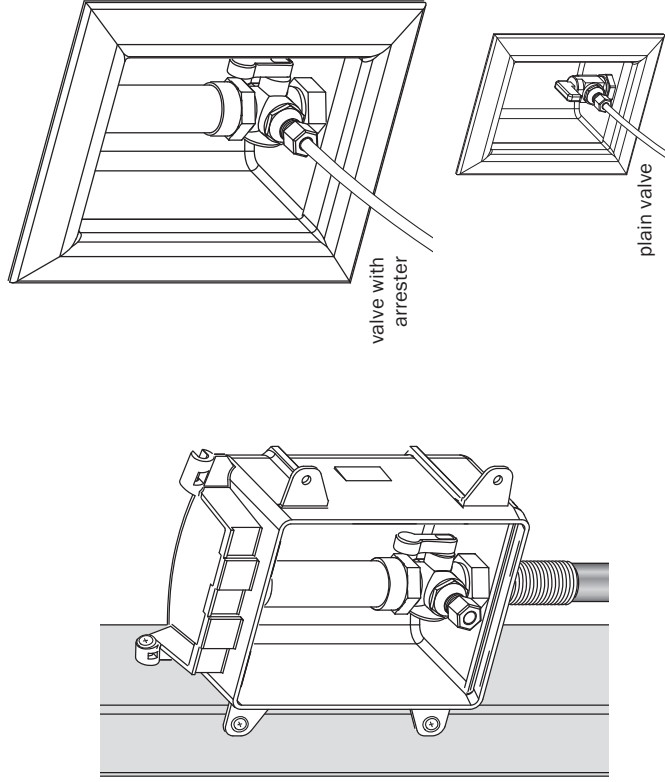
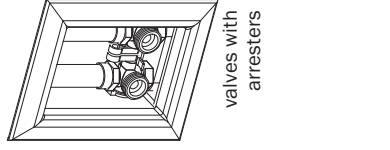
Patent Pending



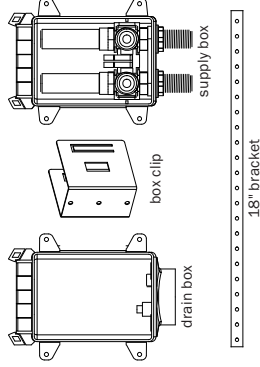
# Installation Instructions



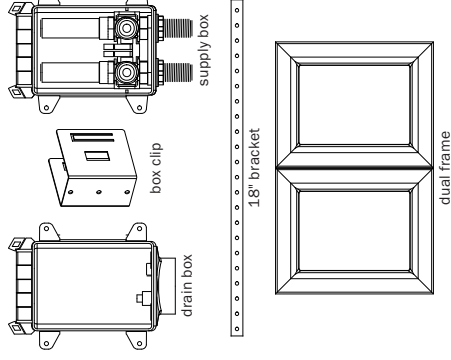
### Valve Options



### Rough-in Pack

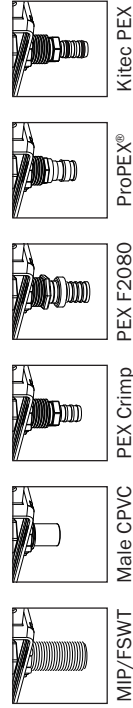


### Standard Pack

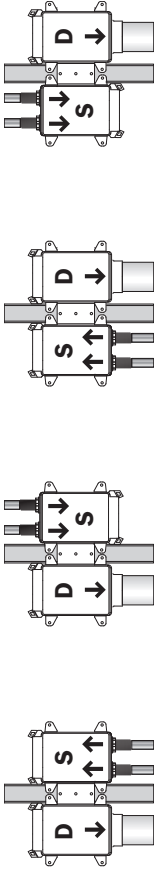


ORDER FRAMES SEPARATELY

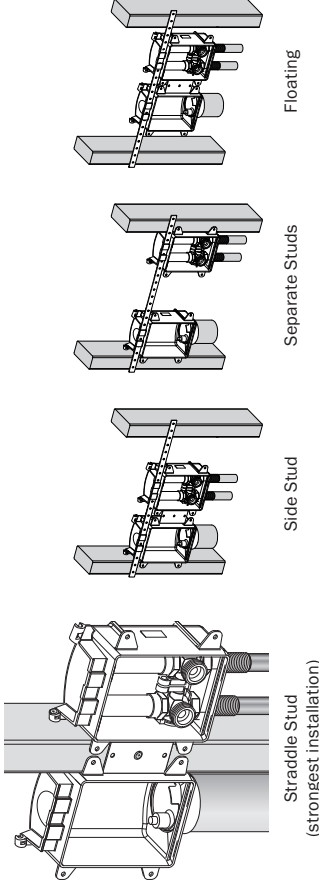
### 1/2" Nominal Shank Connections Available



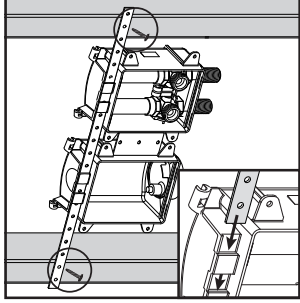
## Determine Configuration of Boxes



## Determine Placement of Boxes

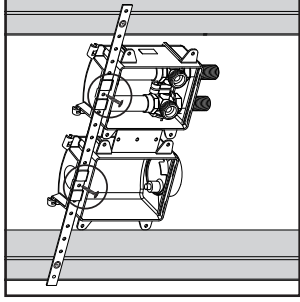


## Between Studs



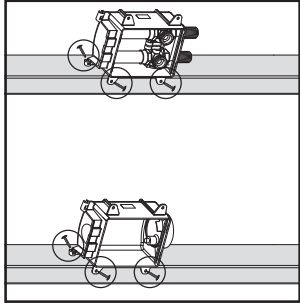
Slide bar into top channel. Secure bar to studs. Add bar to bottom as desired.

## Between Studs



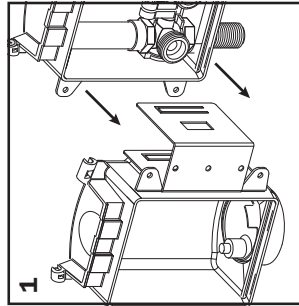
Screw boxes to bracket (screw through bracket first).

## Separate Stud Bays

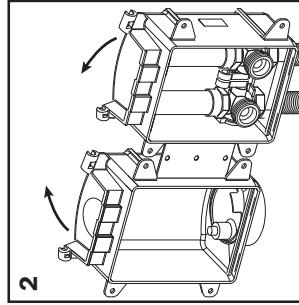


Nail to studs using the top nailway and front two nailway tabs.

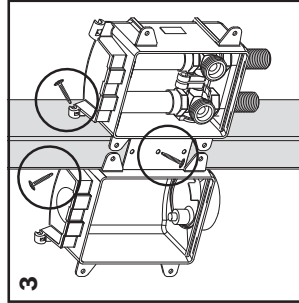
## Straddle Stud Installation



Clip boxes together in desired configuration. Clip slides into tracks.

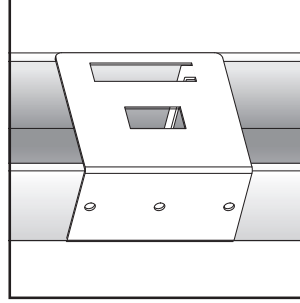


Gently bend boxes together. This will allow the boxes to hold onto the stud.



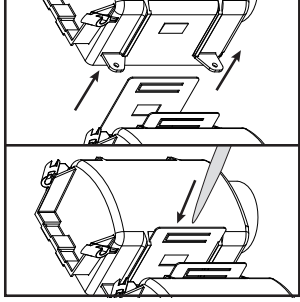
Secure with nails/screws in the middle of the box clip and the top nailways.

## Metal Stud Support



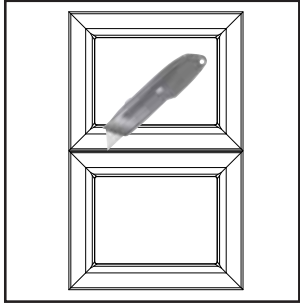
Tab fold into metal stud for added rigidity.

## To Separate Boxes



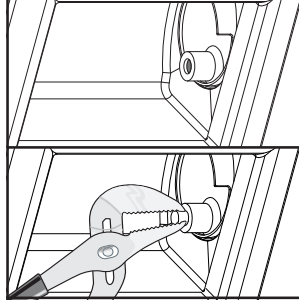
To separate boxes, slide a thin, hard material (pocket knife) between the box and clip.

## To Cut Frame



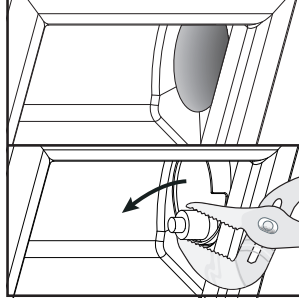
If boxes are separate (see above), cut the frame to create individual frames.

## Test the System



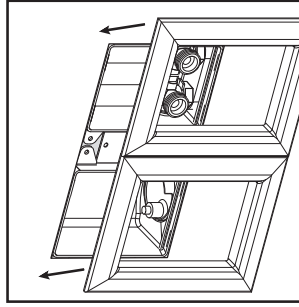
Twist off small tip. Connect 5/8" O.D. compression fitting for air or water test.

## Remove Test Cap



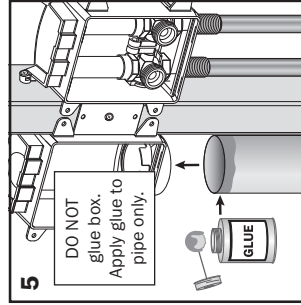
Remove the test cap by clamping and twisting off the test nipple.

## Install Frame

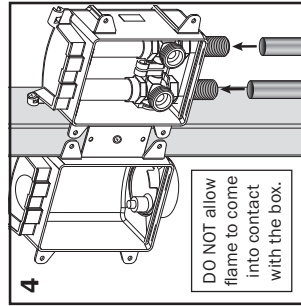


Install the frame after the wall has been finished.

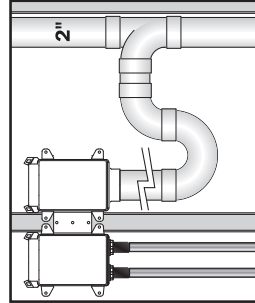
## Smart Tip



Plumb the drain line in the typical manner. Wait for glue to cure before testing.



Plumb the supply lines in the typical manner. Open valves before soldering.



Straddle stud installations allow for the drain and vent pipe to easily be installed in same stud bay.

## 1/2" Nominal Shank Connections Available

