

RHEEM GAS FURNACES

www.rheemac.com

INDEX

CLASSIC® 90 PLUS®	
DOWNFLOW/HORIZONTAL	2-3
UPFLOW	2-2
CLASSIC® SERIES WITH DUAL COMFORT CONTROL™ — TWO-STAGE	
DOWNFLOW/HORIZONTAL	2-6
UPFLOW — 90 PLUS	2-4
UPFLOW — 95% A.F.U.E.	2-5
COMBUSTIBLE FLOOR BASES.....	2-8
FURNACE FILTER FRAME MATCHES.....	2-8
PRESTIGE® SERIES — 90 PLUS®.....	2-7
TERMINATION KITS.....	2-8
TECHNICAL INFORMATION.....	2-9 – 2-22



Available in Northern Alberta, Saskatchewan and Manitoba.

ECCO is proud to be a member of:



RHEEM GAS FURNACES

www.rheemac.com

CLASSIC® 90 PLUS® HIGH EFFICIENCY UPFLOW GAS FURNACES

RGRA-/RGRB-SERIES

Models with input rates from 45,000 to 120,000 BTU/HR

[13.19 to 35.17kW]

(All Models 90% A.F.U.E. or Above)

Features:

- Heat exchanger is constructed of all stainless steel for maximum corrosion resistance and thermal fatigue reliability.
- Low profile "34 inch" design is lighter and easier to handle and leaves room for optional accessories.
- Left or right side gas, electric, and condensate drainage connections on upflow models.
- Integrated control board manages all operational functions and provides hookups for humidifier and electronic air cleaner.
- An insulated blower compartment, a slow-opening gas valve and a specially designed inducer system make it one of the quietest furnaces on the market today.
- Pre-paint galvanized steel cabinet.
- Molded permanent filters.
- Optional indoor or outdoor combustion air. In addition, combustion air may be piped to either the top or side of the cabinet on all upflow models. A special molded fitting is provided to ease installation.
- Transformer and control fuse protection.
- Solid bottom is standard.
- Control board diagnostics.



A variety of cooling coils and plenums designed to use with the Classic 90 Plus gas furnaces are available as optional accessories for air conditioning models.

STOCK #	MODEL	INPUT BTU/HR [kW]	HEATING CAPACITY/ BTU/HR [kW]	HEATING CFM@ .2" [.049 kPa] WC ESP [L/s]	COOLING CFM@ .5" [.124 kPa] WC ESP [L/s]	APPROX SHP WT/ LBS [kg]	PRICE
885214	RGRA-04EMAES	45,000 [13.19]	42,000 [12.31]	885 [417]	1195 [564]	111 [50.3]	P.O.A.
885216	RGRA-06EMAES	60,000 [17.58]	56,000 [16.41]	845 [398]	1100 [519]	117 [53.1]	P.O.A.
885217	RGRB-07EMAES	75,000 [21.98]	70,000 [20.51]	1050 [495]	1110 [524]	124 [56.2]	P.O.A.
885219	RGRA-09EZAJS	90,000 [26.38]	84,000 [24.62]	1465 [691]	1910 [901]	148 [67.1]	P.O.A.
885220	RGRA-10EZAJS	105,000 [30.77]	97,000 [28.43]	1445 [682]	1810 [854]	152 [68.9]	P.O.A.
885222	RGRA-12ERAJS	120,000 [35.17]	113,000 [33.12]	1580 [745]	1900 [897]	160 [72.6]	P.O.A.

[] Designates Metric Conversions

NOTE: For Technical Data, see end of section.

General Terms of Limited Warranty

Rheem will furnish a replacement for any part of this product which fails in normal use and service within the applicable period stated, in accordance with the terms of the limited warranty.

Primary and Secondary Heat Exchanger.....Limited Lifetime

*Any other part.....Five (5) Years

***This five year limited warranty is applicable only to single-phase products installed in residential applications on or after January 1, 2001.**



RHEEM GAS FURNACES

www.rheemac.com

CLASSIC® 90 PLUS® HIGH EFFICIENCY DOWNFLOW/HORIZONTAL GAS FURNACES

RGTA-SERIES

Models with input rates from 45,000 to 120,000 BTU/HR

[13.19 to 35.17kW]

(All Models 90% A.F.U.E. or Above)

Features:

- Heat exchanger is constructed of all stainless steel for maximum corrosion resistance and thermal fatigue reliability.
- Low profile "34 inch" design is lighter and easier to handle and leaves room for optional accessories.
- Top electrical connections, left or right gas and condensate drainage connections on downflow models.
- Condensate drain for horizontal application provided standard.
- Integrated control board manages all operational functions and provides hookups for humidifier and electronic air cleaner.
- An insulated blower compartment, a slow-opening gas valve and a specially designed inducer system make it one of the quietest furnaces on the market today.
- Pre-paint galvanized steel cabinet.
- Molded permanent filters.
- Optional indoor or outdoor combustion air.
- Transformer and control fuse protection.
- Control board diagnostics.



A variety of cooling coils and plenums designed to use with the Classic 90 Plus gas furnaces are available as optional accessories for air conditioning models.

ITEM #	MODEL	INPUT BTU/HR [kW]	HEATING CAPACITY/ BTU/HR [kW]	HEATING CFM@ .2" [.049 kPa] WC ESP [L/s]	COOLING CFM@ .5" [.124 kPa] WC ESP [L/s]	APPROX SHP W/T/ LBS [kg]	PRICE
885327	RGTA-04EMAES	45,000 [13.19]	41,000 [12.02]	890 [420]	1220 [576]	111 [50.3]	P.O.A.
885328	RGTA-06EMAES	60,000 [17.58]	56,000 [16.41]	885 [418]	1180 [557]	117 [53.1]	P.O.A.
885330	RGTA-07EMAES	75,000 [21.98]	69,000 [20.22]	1060 [500]	1150 [543]	123 [55.8]	P.O.A.
C885000	RGTA-09EZAJS	90,000 [26.38]	84,000 [24.62]	1400 [661]	1850 [873]	148 [67.1]	P.O.A.
885331	RGTA-10EZAJS	105,000 [30.77]	97,000 [28.43]	1425 [673]	1820 [859]	152 [68.9]	P.O.A.
885333	RGTA-12ERAJS	120,000 [35.17]	112,000 [32.82]	1565 [739]	2040 [963]	160 [72.6]	P.O.A.

[] Designates Metric Conversions

NOTE: For Technical Data, see end of section.

General Terms of Limited Warranty

Rheem will furnish a replacement for any part of this product which fails in normal use and service within the applicable period stated, in accordance with the terms of the limited warranty.

Primary and Secondary Heat Exchanger.....Limited Lifetime

*Any other part.....Five (5) Years

***This five year limited warranty is applicable only to single-phase products installed in residential applications on or after January 1, 2001.**



- E.&O.E. - All Prices F.O.B. Our Warehouse - Subject to Change Without Notice - All Taxes Extra - May not be Available at All Branches -

RHEEM GAS FURNACES

www.rheemac.com

CLASSIC® SERIES 90 PLUS WITH DUAL COMFORT CONTROL TWO-STAGE UPFLOW GAS FURNACES

RGRL- SERIES

Models with input rates of 45,000 to 105,000 BTU/HR

[13.19 to 30.77kW]

(All models 95% A.F.U.E. or Above)

Features:

- Two stages of operation to save energy and maintain optimal comfort level.
- Furnace operates at 70% capacity for low-heat and 100% capacity for high-heat.
- Compatible with single or two-stage thermostat.
(For optimal performance two-stage thermostat recommended.)
- Heat exchanger is constructed of all stainless steel for maximum corrosion resistance and thermal fatigue reliability.
- Low profile "34 inch" design is lighter and easier to handle and leaves room for optional accessories.
- Left or right side gas, electric, and condensate drainage connections.
- Integrated control board manages all operational functions and provides hookups for humidifier and electronic air cleaner.
- An insulated blower compartment, a slow-opening gas valve and a specially designed inducer system make it one of the quietest furnaces on the market today.
- Features a Limited Lifetime Warranty on the primary and secondary heat exchanger and a 10-Year Limited Warranty on all other parts.
- Molded permanent filters.
- Optional indoor or outdoor combustion air. In addition, combustion air may be piped to either the top or side of the cabinet on all upflow models. A special molded fitting is provided to ease installation.
- Dual certified for sealed combustion (2-pipe) or non-direct (1-pipe) applications.
- Solid bottom is standard.
- Control board diagnostics.



A variety of cooling coils and plenums designed to use with the Rheem *Classic® Series 90 Plus* gas furnaces are available as optional accessories for air conditioning models.

ITEM #	MODEL	HIGH FIRE INPUT BTU/HR [kW]	LOW FIRE INPUT BTU/HR [kW]	HEATING CFM@ .2" [.049 kPa] WC ESP [L/s]	COOLING CFM@ .5" [.124 kPa] WC ESP [L/s]	APPROX SHP W/T/ LBS [kg]	PRICE
885280	RGRL-04EMAES	45,000 [13.19]	31,500 [9.23]	885 [417]	1195 [564]	111 [50.3]	P.O.A.
885282	RGRL-06EMAES	60,000 [17.58]	42,000 [12.31]	845 [398]	1100 [519]	117 [53.1]	P.O.A.
885283	RGRL-07EMAES	75,000 [21.98]	52,500 [15.39]	1050 [495]	1110 [524]	123 [55.8]	P.O.A.
885284	RGRL-09EZAJS	90,000 [26.38]	63,000 [18.46]	1465 [691]	1910 [901]	148 [67.1]	P.O.A.
C885000	RGRL-10EZAJS	105,000 [30.77]	73,500 [21.40]	1445 [682]	1810 [854]	152 [69]	P.O.A.

[] Designates Metric Conversions

NOTE: For Technical Data, see end of section.

General Terms of Limited Warranty

Rheem will furnish a replacement for any part of this product which fails in normal use and service within the applicable period stated, in accordance with the terms of the limited warranty.

Primary and Secondary Heat Exchanger.....Limited Lifetime

Conditional Parts Warranty

(Registration Required)..... Ten (10) Years



- E.&O.E. - All Prices F.O.B. Our Warehouse - Subject to Change Without Notice - All Taxes Extra - May not be Available at All Branches -

RHEEM GAS FURNACES

www.rheemac.com

RHEEM CLASSIC® SERIES 95% A.F.U.E. with DUAL COMFORT CONTROL™ TWO-STAGE UPFLOW GAS FURNACES

RGRM-SERIES

ECM EQUIPPED

Models with input rates from 45,000 to 120,000 BTU/HR

[13.19 to 35.17kW]

(45k through 105k Models Rated at 95% A.F.U.E., 120k Model Rated at 93.3% A.F.U.E.)

Features:

- Two stages of operation to save energy and maintain optimal comfort level.
- Furnace operates at 70% capacity for low-heat and 100% capacity for high-heat.
- Compatible with single or two-stage thermostat. (For optimal performance two-stage thermostat recommended.)
- Heat exchanger is constructed of all stainless steel for maximum corrosion resistance and thermal fatigue reliability
- Low profile "34 inch" design is lighter and easier to handle and leaves room for optional accessories.
- Left or right side gas, electric, and condensate drainage connections
- Integrated control board manages all operational functions and provides hookups for humidifier and electronic air cleaner.
- An insulated blower compartment, a slow-opening gas valve and a specially designed inducer system make it one of the quietest furnaces on the market today.
- Variable speed blower motor technology provides ultimate humidity control, quieter sound levels and year-round energy savings.
- Molded permanent filters
- Optional indoor or outdoor combustion air. In addition, combustion air may be piped to either the top or side of the cabinet on all upflow models. A special molded fitting is provided to ease installation.
- Control fuse protection
- Solid bottom is standard
- Control board diagnostics



A variety of cooling coils and plenums designed to use with the Rheem Classic® Series 95% A.F.U.E. gas furnaces are available as optional accessories for air conditioning models.

ITEM #	MODEL	HIGH FIRE INPUT BTU/HR [kW]	LOW FIRE INPUT BTU/HR [kW]	HIGH HEATING CFM@ .2" [.049 kPa] WC ESP [L/s]	HIGH COOLING CFM@ .8" [.124 kPa] WC ESP [L/s]	APPROX SHP WT/ LBS [kg]	PRICE
885240	RGRM-04EMAES	45,000 [13.19]	31,500 [9.23]	780 [368]	1200 [566]	117 [53.2]	P.O.A.
885242	RGRM-06EMAES	60,000 [17.58]	42,000 [12.31]	900 [425]	1200 [566]	123 [56.0]	P.O.A.
885244	RGRM-07EMAES	75,000 [21.98]	52,500 [15.39]	1080 [510]	1200 [566]	128 [58.3]	P.O.A.
C885000	RGRM-07EYBGS	75,000 [21.98]	52,500 [15.39]	1180 [510]	1600 [755]	139 [65.2]	P.O.A.
885248	RGRM-09EZAJS	90,000 [26.38]	63,000 [18.46]	1450 [684]	2000 [944]	148 [67.5]	P.O.A.
885250	RGRM-10EZAJS	105,000 [30.77]	73,500 [21.60]	1604 [757]	2000 [944]	150 [68.2]	P.O.A.

[] Designates Metric Conversions

NOTE: For Technical Data, see end of section.

General Terms of Limited Warranty

Rheem will furnish a replacement for any part of this product which fails in normal use and service within the applicable period stated, in accordance with the terms of the limited warranty.

Primary and Secondary Heat Exchanger.....Limited Lifetime

Conditional Parts Warranty

(Registration Required).....Ten (10) Years

Conditional Unit Replacement Warranty

(Registration Required).....Ten (10) Years



- E.&O.E. - All Prices F.O.B. Our Warehouse - Subject to Change Without Notice - All Taxes Extra - May not be Available at All Branches -

RHEEM GAS FURNACES

www.rheemac.com

RHEEM CLASSIC® SERIES 95% A.F.U.E. with DUAL COMFORT CONTROL™ TWO-STAGE DOWNFLOW/HORIZONTAL GAS FURNACES

RGTM-SERIES

ECM EQUIPPED

Models with input rates from 60,000 to 105,000 BTU/HR

[17.58 to 30.77kW]

(All Models 95% A.F.U.E., or above)

Features:

- Two stages of operation to save energy and maintain optimal comfort level.
- Furnace operates at 70% capacity for low-heat and 100% capacity for high-heat.
- Compatible with single or two-stage thermostat.
(For optimal performance a two-stage thermostat is recommended.)
- Heat exchanger is constructed of all stainless steel for maximum corrosion resistance and thermal fatigue reliability.
- Low profile "34 inch" design is lighter and easier to handle and leaves room for optional accessories.
- Left or right side gas, electric, and condensate drainage connections.
- Integrated control board manages all operational functions and provides hookups for humidifier and electronic air cleaner.
- An insulated blower compartment, a slow-opening gas valve and a specially designed inducer system make it one of the quietest furnaces on the market today.
- Variable speed blower motor technology provides ultimate humidity control, quieter sound levels and year-round energy savings.
- Optional indoor or outdoor combustion air. In addition, combustion air may be piped to either the top or side of the cabinet on all downflow models. A special molded fitting is provided to ease installation.
- Control fuse protection.
- Solid bottom is standard.
- Control board diagnostics.



A variety of cooling coils and plenums designed to use with the Rheem Classic® Series 95% A.F.U.E. gas furnaces are available as optional accessories for air conditioning models.

ITEM #	MODEL	HIGH FIRE INPUT BTU/HR [kW]	LOW FIRE INPUT BTU/HR [kW]	HIGH HEATING CFM@ .2" [.049 kPa] WC ESP [L/s]	HIGH COOLING CFM@ .8" [.124 kPa] WC ESP [L/s]	APPROX SHP WT/ LBS [kg]	PRICE
885286	RGTM-06EMAES	60,000 [17.58]	42,000 [12.31]	900 [425]	1200 [566]	123 [56.0]	P.O.A.
885288	RGTM-07ERBGS	75,000 [21.98]	52,500 [15.39]	1180 [510]	1600 [755]	123 [56.0]	P.O.A.
C885000	RGTM-09EZAJS	90,000 [26.38]	63,000 [18.46]	1450 [684]	2000 [944]	148 [67.5]	P.O.A.
885292	RGTM-10ERBJS	105,000 [30.77]	73,500 [21.60]	1604 [757]	2000 [944]	165 [75.0]	P.O.A.

[] Designates Metric Conversions

NOTE: For Technical Data, see end of section.

General Terms of Limited Warranty

Rheem will furnish a replacement for any part of this product which fails in a normal use and service within the applicable period stated, in accordance with the terms of the limited warranty.

Primary and Secondary Heat Exchanger.....Limited Lifetime

Conditional Parts Warranty

(Registration Required).....Ten (10) Years

Conditional Unit Replacement Warranty

(Registration Required).....Ten (10) Years



- E.&O.E. - All Prices F.O.B. Our Warehouse - Subject to Change Without Notice - All Taxes Extra - May not be Available at All Branches -

RHEEM GAS FURNACES

www.rheemac.com

RHEEM PRESTIGE® SERIES 90 PLUS® COMMUNICATING MODULATING UPFLOW GAS FURNACES EQUIPPED WITH THE COMFORT CONTROL² SYSTEM AND CONTOUR COMFORT CONTROL®

RGFE-SERIES

Models with input rates from 60,000 to 120,000 BTU/HR

[17.58 to 35.16 kW]

(All Models 92% A.F.U.E. or Above)

Features:

- The Comfort Control² System™ provides over 28 on-board diagnostics and fault history codes by detecting system and electrical problems. "Call for Service" alert notification is sent to the thermostat to alert the homeowner of required service.
- Serial Communication Enhanced – When installed with a Serial Communicating Condensing Unit and user interface control (RHC-TST550CMMS) 500 Series thermostat this unit offers 4 or 2 wire installation, auto-configuration, and diagnostic messaging with full communicating capability.
- Heat exchanger is constructed of all stainless steel for maximum corrosion resistance and thermal fatigue reliability.
- **Modulating Function:** when used with a modulating or communicating thermostat, modulation rate between 40% and 100% of total capacity.
- **Two-Stage Function:** when used with a two-stage thermostat, furnace operates at 40% on first stage, and stages up to 65%, then 100% for second stage.
- **Multistage Function:** when used with a single-stage thermostat, furnace operates at 40%, 65% and 100% of total capacity.
- Reduced firing rates, electrically efficient ECM2+ motor, and solid doors provide the ultimate in quiet operation.
- Low speed constant fan.
- Constant temperature rise for superior comfort.
- Seven segment LED for system diagnostics.
- Diagnostic history for troubleshooting.
- Two-speed induced draft motor.
- Direct spark ignition with remote sense.
- Optional indoor or outdoor combustion air.



A variety of cooling coils and plenums designed to use with the Prestige Series® 90 Plus gas furnaces are available as optional accessories.

ITEM #	MODEL	INPUT-MAX. BTU/HR [kW]	INPUT-MIN. BTU/HR [kW]	HEATING CFM MAX. WC ESP [L/s]	HEATING CFM MIN. WC ESP [L/s]	COOLING CFM RANGE WC ESP [L/s]	APPROX SHP WT/ LBS [kg]	PRICE
885230	RGFE-06EMCK	60,000 [17.58]	24,000 [7.03]	795 [375]	320 [151]	600-1200 [283-566]	127 [57.6]	P.O.A.
885232	RGFE-07EMCK	75,000 [21.98]	30,000 [8.79]	995 [470]	430 [203]	600-1200 [283-566]	133 [60.3]	P.O.A.
885234	RGFE-09EZCM	90,000 [26.38]	36,000 [10.55]	1195 [564]	515 [243]	1200-2000 [566-944]	158 [71.7]	P.O.A.
885236	RGFE-10EZCM	105,000 [30.77]	42,000 [12.31]	1395 [658]	600 [283]	1200-2000 [566-944]	162 [73.5]	P.O.A.
C885000	RGFE-12ERCM	120,000 [35.17]	48,000 [14.07]	1595 [753]	685 [323]	1200-2000 [566-944]	170 [77.1]	P.O.A.

[] Designates Metric Conversions

NOTE: For Technical Data, see end of section.

General Terms of Limited Warranty

Rheem will furnish a replacement for any part of this product which fails in normal use and service within the applicable period stated, in accordance with the terms of the limited warranty.

Primary and Secondary Heat Exchanger..... Limited Lifetime

Conditional Unit Replacement*

(Registration Required)..... Limited Lifetime

*Parts..... Ten (10) Years

*See Product Warranty Card for details.



– E.&O.E. – All Prices F.O.B. Our Warehouse – Subject to Change Without Notice – All Taxes Extra – May not be Available at All Branches –

RHEEM GAS FURNACES

www.rheemac.com

TERMINATION KITS

ITEM #	MODEL	DESCRIPTION	PRICE
889265	RXGY-E03A	Concentric Horizontal/Vertical	\$254.00

COMBUSTIBLE FLOOR BASES

ITEM #	MODEL	DESCRIPTION	PRICE
889232	RXGC-B17	FOR 17-1/2" Furnace Width	\$142.00
C887500	RXGC-B21	FOR 21" Furnace Width	P.O.A.
C887500	RXGC-B24	FOR 24-1/2" Furnace Width	P.O.A.

FURNACE FILTER FRAME MATCHES

NO DOOR

ITEM #	SIZE (")	DESCRIPTION	PRICE
599630	16 × 25 × 1"	Frame – no door	\$45.39
599631	16 × 25 × 3"	Frame – no door	62.99
599632	20 × 25 × 3"	Frame – no door	64.38

WITH DOOR

ITEM #	SIZE (")	DESCRIPTION	PRICE
599629	16 × 25 × 1"	Frame – with door	\$49.37
599641	20 × 25 × 1"	Frame – with door	49.37
599633	16 × 25 × 3"	Frame – with door	71.55
599634	20 × 25 × 3"	Frame – with door	72.76

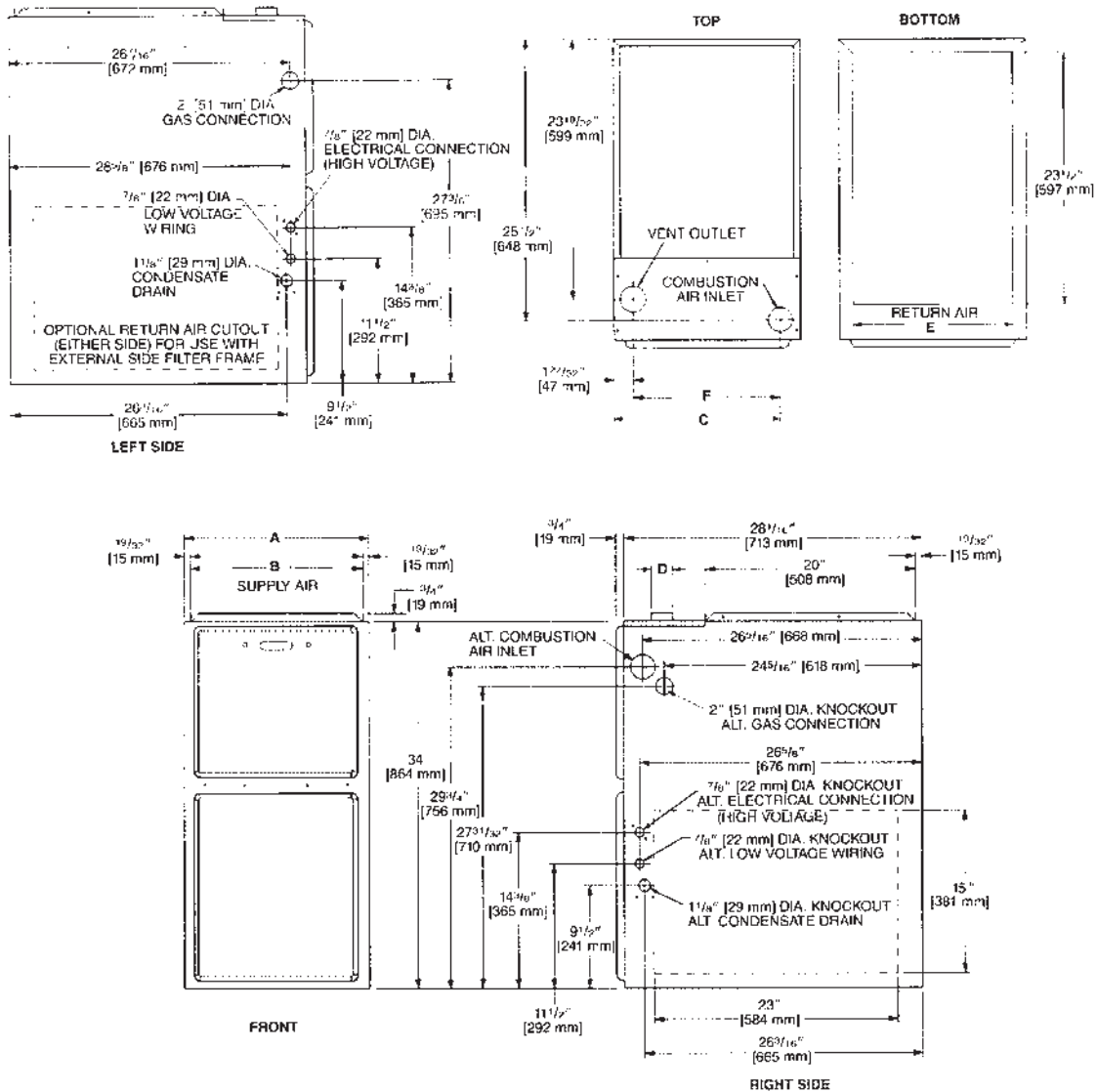
WITH 1" OR 4" DOOR

ITEM #	SIZE (")	DESCRIPTION	PRICE
599639	16 × 24 × 6-3/4"	Frame	\$72.94
599635	16 × 25 × 6-3/4"	Frame – with 1" door	94.26
599636	20 × 25 × 6-3/4"	Frame – with 1" door	96.72
599637	16 × 25 × 6-3/4"	Frame – with 4" door	156.13
599638	20 × 25 × 6-3/4"	Frame – with 4" door	166.84

– E.&O.E. – All Prices F.O.B. Our Warehouse – Subject to Change Without Notice – All Taxes Extra – May not be Available at All Branches –

TECHNICAL INFORMATION

CLASSIC® 90 PLUS® HIGH EFFICIENCY UPFLOW GAS FURNACES RGRA-/RGRB- SERIES — UPFLOW MODELS



MODEL RGRA-/ RGRB-	A	B	C	D	E	F	LEFT SIDE	MINIMUM CLEARANCE (IN.) [mm]					SHIP WGTS. [kg]
								RIGHT SIDE	BACK	TOP	FRONT	VENT	
04EM	17 1/2 [445]	16 11/32 [415]	15 5/8 [397]	2 [51]	15 [422]	13 25/32 [352]	0	0	0	1 [25]	2 [51]	0	111 [50]
06EM	17 1/2 [445]	16 11/32 [415]	15 5/8 [397]	2 [51]	15 [422]	13 25/32 [352]	0	0	0	1 [25]	2 [51]	0	117 [53]
07EM	17 1/2 [445]	16 11/32 [415]	15 5/8 [397]	2 [51]	15 [422]	13 25/32 [352]	0	0	0	1 [25]	2 [51]	0	124 [56]
07EY	21 [533]	19 27/32 [504]	19 1/8 [487]	2 [51]	18 1/2 [511]	17 9/32 [441]	0	0	0	1 [25]	2 [51]	0	137 [62]
09EZ	21 [533]	19 27/32 [504]	19 1/8 [487]	2 [51]	18 1/2 [511]	17 9/32 [441]	0	0	0	1 [25]	2 [51]	0	148 [67]
10EZ	21 [533]	19 27/32 [504]	19 1/8 [487]	2 [51]	18 1/2 [511]	17 9/32 [441]	0	0	0	1 [25]	2 [51]	0	152 [69]
12ER	24 1/2 [622]	23 11/32 [593]	22 5/8 [575]	2 [51]	22 [600]	20 25/32 [530]	0	0	0	1 [25]	2 [51]	0	160 [73]

- E.&O.E. - All Prices F.O.B. Our Warehouse - Subject to Change Without Notice - All Taxes Extra - May not be Available at All Branches -

RHEEM GAS FURNACES

www.rheemac.com

TECHNICAL INFORMATION (cont'd)

CLASSIC® 90 PLUS® HIGH EFFICIENCY UPFLOW GAS FURNACES (cont'd)

RGRA-/RGRB- SERIES — UPFLOW MODELS — ACCESSORIES

VENT TERMINATION KITS

CONCENTRIC: Horizontal/Vertical = RXGY-E03

HORIZONTAL TWO PIPE: RXGY-D02, RXGY-D03, RXGY-D04

NEUTRALIZER KIT: RXGY-A01

FOSSIL FUEL KIT: RXPFF-F01

RXPFF-F02 (TVA)

RETURN AIR PLENUM: RXGR-C17B

RXGR-C21B

RXGR-C24B

EXTERNAL BOTTOM FILTER RACK: RXGF-CB

EXTERNAL SIDE FILTER RACK: RXGF-CA

FOR HIGH ALTITUDES:

***HIGH ALTITUDE KIT:** RXGY-F04 (105 KBTU/H)

RXGY-F05 (120 KBTU/H)

RXGY-F06 (45 KBTU/H/60 KBTU/H/
90 KBTU/H)

RXGY-F07 (75 KBTU/H)

***For installations over 5000 ft.**

OPTION CODE FOR HIGH ALTITUDE: US & Canada – 278

NOTE: High altitude kits and options do **NOT** include additional burner orifices. If a burner orifice change is necessary, they must be ordered through PROSTOCK®. See Installation Instructions for more information.

CAUTION: Always follow National Fuel Gas Code (NFPA) guidelines when converting furnaces for high altitudes.

For all installations above 2000 ft. (including all option – 278 models), the burner orifice size needs to be recalculated and verified. A burner orifice change may still be required. See Installation Instructions for more information.

NOTE: For Canadian installations only, an optional derate (manifold gas pressure reduction) method may be used to adjust the furnace for altitude. See Installation Instructions for more information. This optional method may **NOT** be used for U.S. installations.

(U.S. Models—Kit packaged with furnace.
Requires field installation).

EXTERNAL BOTTOM FILTER RACK: RXGF-CB

EXTERNAL SIDE FILTER RACK: RXGF-CA

[] Designates Metric Conversions

FILTER RACK FILTER SIZES* INCHES [mm]		
MODEL	RXGF-CB (BOTTOM)	RXGF-CA (SIDE)
RGRA-04	15 ³ / ₄ x 25 [400 x 635]	15 ³ / ₄ x 25 [400 x 635]
RGRA-06	15 ³ / ₄ x 25 [400 x 635]	15 ³ / ₄ x 25 [400 x 635]
RGRB-07EM	15 ³ / ₄ x 25 [400 x 635]	15 ³ / ₄ x 25 [400 x 635]
RGRB-07EY	19 ¹ / ₄ x 25 [489 x 635]	15 ³ / ₄ x 25 [400 x 635]
RGRA-09	19 ¹ / ₄ x 25 [489 x 635]	15 ³ / ₄ x 25 [400 x 635]
RGRA-10	19 ¹ / ₄ x 25 [489 x 635]	15 ³ / ₄ x 25 [400 x 635]
RGRA-12	22 ³ / ₄ x 25 [578 x 635]	15 ³ / ₄ x 25 [400 x 635]

*Filter racks are shipped without filters.

Filters shipped with furnace may be used or a suitable 1" [25.4 mm] filter.

PLENUM DATA FOR "A" COILS

Plenum adapters are required in some instances for use on upflow applications when plenum and furnace size do not match.

FURNACE WIDTH IN. [mm]	PLENUM WIDTH IN. [mm]	PLENUM ADAPTER UPFLOW	COIL PLENUM
14 [356]	16 ¹ / ₄ [413]	RXAA-C171	RXAL-B16BU
14 [356]	20 ¹ / ₄ [514]	RXAA-C172	RXAL-B20BU
17 ¹ / ₂ [445]	16 ¹ / ₄ [413]	RXAA-C185	RXAL-B16BU
17 ¹ / ₂ [445]	20 ¹ / ₄ [514]	RXAA-C173	RXAL-B20BU
17 ¹ / ₂ [445]	21 ⁵ / ₈ [549]	RXAA-C187	RXAL-B21BU
17 ¹ / ₂ [445]	25 ¹ / ₄ [641]	RXAA-C174	RXAL-B25BU
21 [533]	25 ¹ / ₄ [641]	RXAA-C175	RXAL-B25BU
21 [533]	22 ¹ / ₄ [565]	RXAA-C176	RXAL-B22BU
21 [533]	21 ⁵ / ₈ [549]	RXAA-C188	RXAL-B21BU
24 ¹ / ₂ [622]	25 ¹ / ₄ [641]	RXAA-C177	RXAL-B25BU
24 ¹ / ₂ [622]	21 ⁵ / ₈ [549]	RXAA-C187	RXAL-B21BU

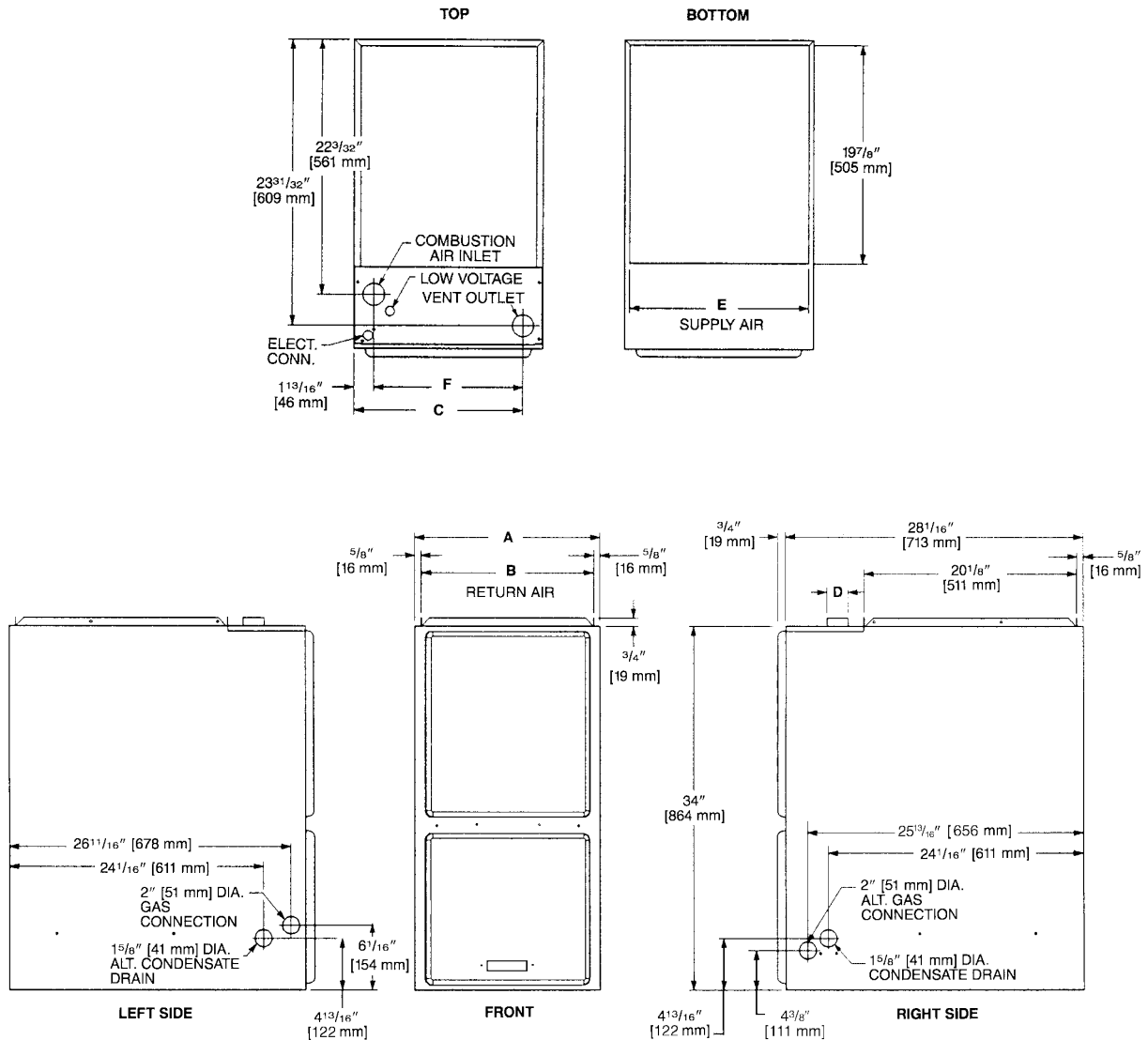
Note: See Form Number C11-206 for MultiFlex® coil data.

RHEEM GAS FURNACES

www.rheemac.com

TECHNICAL INFORMATION (cont'd)

CLASSIC® 90 PLUS® HIGH EFFICIENCY DOWNFLOW/HORIZONTAL GAS FURNACES RGTA- SERIES —DOWNFLOW MODELS



MODEL RGTA-	A	B	C	D	E	F	LEFT SIDE	MINIMUM CLEARANCE (IN.) [mm]					SHIP WGTS. [kg]
								RIGHT SIDE	BACK	TOP	FRONT	VENT	
04	17 1/2 [445]	16 11/32 [415]	15 5/8 [397]	2 [51]	16 5/8 [422]	13 7/8 [352]	0	0	0	1 [25]	2 [51]	0	111 [50]
06	17 1/2 [445]	16 11/32 [415]	15 5/8 [397]	2 [51]	16 5/8 [422]	13 7/8 [352]	0	0	0	1 [25]	2 [51]	0	117 [53]
07EM	17 1/2 [445]	16 11/32 [415]	15 5/8 [397]	2 [51]	16 5/8 [422]	13 7/8 [352]	0	0	0	1 [25]	2 [51]	0	123 [56]
07EY	21 [533]	19 27/32 [504]	19 3/16 [486]	2 [51]	20 1/8 [511]	17 3/8 [441]	0	0	0	1 [25]	2 [51]	0	123 [56]
09	21 [533]	19 27/32 [504]	19 3/16 [486]	2 [51]	20 1/8 [511]	17 3/8 [441]	0	0	0	1 [25]	2 [51]	0	148 [67]
10	21 [533]	19 27/32 [504]	19 3/16 [486]	2 [51]	20 1/8 [511]	17 3/8 [441]	0	0	0	1 [25]	2 [51]	0	152 [69]
12	24 1/2 [622]	23 11/32 [593]	22 5/8 [575]	2 [51]	23 5/8 [600]	20 7/8 [530]	0	0	0	1 [25]	2 [51]	0	160 [73]

IMPORTANT NOTE: Horizontal furnace may be installed for horizontal left hand air supply **ONLY**. The condensate trap provided for horizontal application must be installed in the field beneath the unit as directed in the furnace Installation & Operating Instructions.

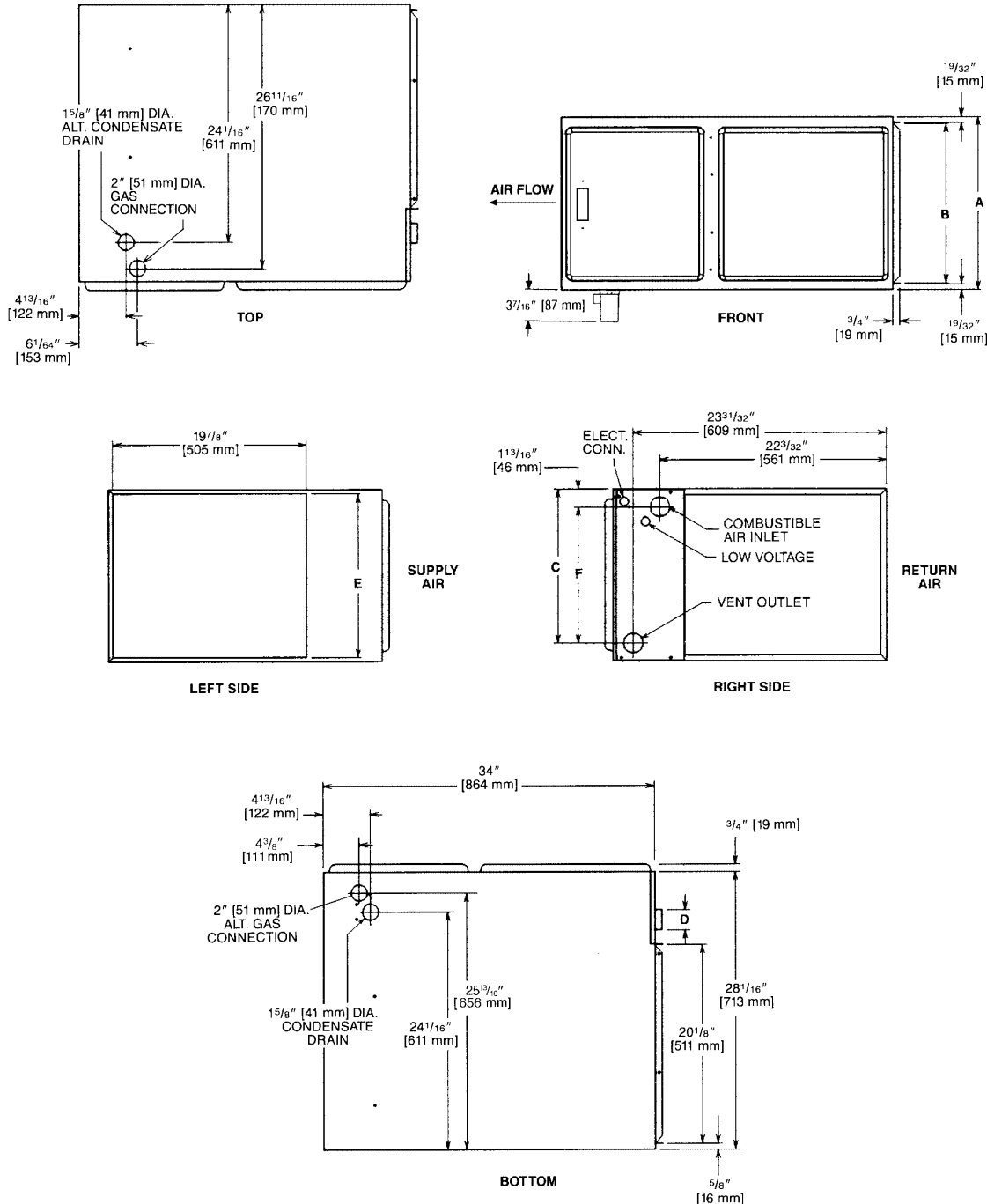
- E.&O.E. - All Prices F.O.B. Our Warehouse - Subject to Change Without Notice - All Taxes Extra - May not be Available at All Branches -

RHEEM GAS FURNACES

www.rheemac.com

TECHNICAL INFORMATION (cont'd)

CLASSIC® 90 PLUS® HIGH EFFICIENCY DOWNFLOW/HORIZONTAL GAS FURNACES (cont'd) RGTA-SERIES — HORIZONTAL MODELS



IMPORTANT NOTE: Horizontal furnace may be installed for horizontal left hand air supply **ONLY**. The condensate trap provided for horizontal application must be installed in the field beneath the unit as directed in the furnace Installation & Operating Instructions.

[] Designates Metric Conversions

– E.&O.E. – All Prices F.O.B. Our Warehouse – Subject to Change Without Notice – All Taxes Extra – May not be Available at All Branches –

RHEEM GAS FURNACES

www.rheemac.com

TECHNICAL INFORMATION (cont'd)

CLASSIC® 90 PLUS® HIGH EFFICIENCY DOWNFLOW/HORIZONTAL GAS FURNACES (cont'd) BLOWER PERFORMANCE DATA — RGTA MODELS

MODEL RGTA-	BLOWER SIZE IN. [mm]	MOTOR H.P. [W]	BLOWER SPEED	CFM [L/s] AIR DELIVERY EXTERNAL STATIC PRESSURE INCHES WATER COLUMN [kPa]						
				0.1 [.02]	0.2 [.05]	0.3 [.07]	0.4 [.10]	0.5 [.12]	0.6 [.15]	0.7 [.17]
				04	11 x 7 [279 x 178]	1/2 [373]	LOW MED-LO MED-HI HIGH	820 [387] 930 [439] 1150 [543] 1414 [667]	790 [373] 890 [420] 1120 [528] 1365 [644]	760 [359] 850 [401] 1090 [514] 1320 [622]
06	11 x 7 [279 x 178]	1/2 [373]	LOW MED-LO MED-HI HIGH	795 [375] 910 [429] 1115 [526] 1365 [644]	760 [359] 885 [418] 1080 [510] 1315 [620]	730 [344] 860 [406] 1045 [493] 1270 [600]	695 [328] 815 [384] 1005 [474] 1225 [578]	660 [311] 770 [363] 965 [455] 1180 [557]	615 [290] 725 [342] 920 [434] 1125 [531]	570 [269] 680 [321] 875 [413] 1070 [505]
07EM	11 x 7 [279 x 178]	1/2 [373]	LOW MED-LO MED-HI HIGH	780 [368] 890 [420] 1100 [519] 1340 [632]	750 [354] 860 [406] 1060 [500] 1295 [611]	720 [339] 835 [394] 1025 [484] 1250 [590]	675 [318] 790 [373] 980 [462] 1200 [566]	635 [300] 750 [354] 940 [443] 1150 [543]	595 [281] 705 [332] 890 [420] 1090 [514]	555 [262] 660 [311] 845 [399] 1025 [484]
07EY	12 x 7 [305 x 178]	3/4 [559]	LOW MED-LO MED-HI HIGH	1185 [559] 1405 [663] 1595 [753] 1835 [866]	1160 [547] 1375 [649] 1560 [738] 1780 [840]	1140 [538] 1350 [637] 1525 [720] 1730 [816]	1115 [626] 1310 [618] 1480 [698] 1675 [791]	1095 [517] 1270 [599] 1440 [679] 1625 [767]	1065 [503] 1235 [583] 1380 [651] 1555 [734]	1040 [491] 1195 [564] 1325 [625] 1480 [698]
09	12 x 11 [305 x 279]	3/4 [559]	LOW MED-LO MED-HI HIGH	1155 [545] 1420 [670] 1605 [757] 2005 [946]	1125 [531] 1400 [661] 1575 [743] 1965 [927]	1100 [519] 1380 [651] 1550 [732] 1930 [910]	1080 [510] 1365 [644] 1560 [736] 1890 [892]	1060 [500] 1350 [637] 1570 [740] 1850 [873]	1000 [472] 1260 [594] 1480 [698] 1765 [833]	940 [443] 1175 [554] 1390 [656] 1680 [793]
10	12 x 11 [305 x 279]	3/4 [559]	LOW MED-LO MED-HI HIGH	1180 [557] 1460 [689] 1680 [793] 2055 [970]	1150 [543] 1425 [672] 1645 [776] 2000 [944]	1120 [528] 1390 [656] 1615 [762] 1940 [915]	1100 [519] 1375 [649] 1585 [748] 1880 [887]	1080 [510] 1360 [642] 1560 [736] 1820 [859]	1025 [484] 1280 [604] 1490 [703] 1745 [823]	970 [458] 1200 [566] 1420 [670] 1675 [790]
12	11 x 10 [279 x 254]	3/4 [559]	LOW MED-LO MED-HI HIGH	1285 [606] 1590 [750] 1840 [868] 2315 [1093]	1250 [590] 1565 [738] 1820 [860] 2250 [1062]	1215 [573] 1540 [727] 1800 [850] 2185 [1031]	1235 [582] 1505 [710] 1750 [826] 2110 [996]	1260 [595] 1475 [696] 1700 [802] 2040 [963]	1230 [580] 1425 [672] 1645 [776] 1965 [927]	1200 [566] 1375 [649] 1590 [750] 1890 [892]

NOTE: Recommended blower speeds are in bold.

DOWNFLOW MODELS — ACCESSORIES

VENT TERMINATION KITS

CONCENTRIC: Vertical/Horizontal = RXGY-E03
 Horizontal = RXGY-C01

HORIZONTAL TWO PIPE: RXGY-D02, RXGY-D03,
 RXGY-D04, RXGY-G02

CONDENSATE PUMP KIT: RXGY-B01

NEUTRALIZER KIT: RXGY-A01

COMBUSTIBLE FLOOR BASE: RXGC-B17

 RXGC-B21
 RXGC-B24

EXTERNAL FILTER RACK: RXGF-CC

FILTER RACK FILTER SIZES* INCHES [mm]	
MODEL RGTA-	RXGF-CC
04	(2) 12 x 20 [305 x 508]
06	(2) 12 x 20 [305 x 508]
07	(2) 12 x 20 [305 x 508]
09	(2) 12 x 20 [305 x 508]
10	(2) 12 x 20 [305 x 508]
12	(2) 14 x 20 [305 x 508]

*Filter racks are shipped without filters.

Filters shipped with furnace may be used or a suitable 1" [25.4 mm] filter.

[] Designates Metric Conversions

PLENUM DATA FOR "A" COILS

Plenum adapters are required in some instances for use on downflow applications when plenum and furnace size do not match.

FURNACE WIDTH IN. [mm]	PLENUM WIDTH IN. [mm]	PLENUM ADAPTER DOWNFLOW	COIL PLENUM
17 1/2 [445]	16 1/4 [413]	RXAA-C186	RXAL-B16BU
17 1/2 [445]	20 1/4 [514]	RXAA-C173	RXAL-B20BU
17 1/2 [445]	21 5/8 [549]	RXAA-C187	RXAL-B21BU
17 1/2 [445]	25 1/4 [641]	RXAA-C174	RXAL-B25BU
21 [533]	25 1/4 [641]	RXAA-C175	RXAL-B25BU
21 [533]	22 1/4 [565]	RXAA-C176	RXAL-B22BU
21 [533]	21 5/8 [549]	RXAA-C188	RXAL-B21BU
24 1/2 [622]	25 1/4 [641]	RXAA-C177	RXAL-B25BU
24 1/2 [622]	21 5/8 [549]	RXAA-C187	RXAL-B21BU

NOTE: See Form Number C11-206 for MultiFlex® coil data.

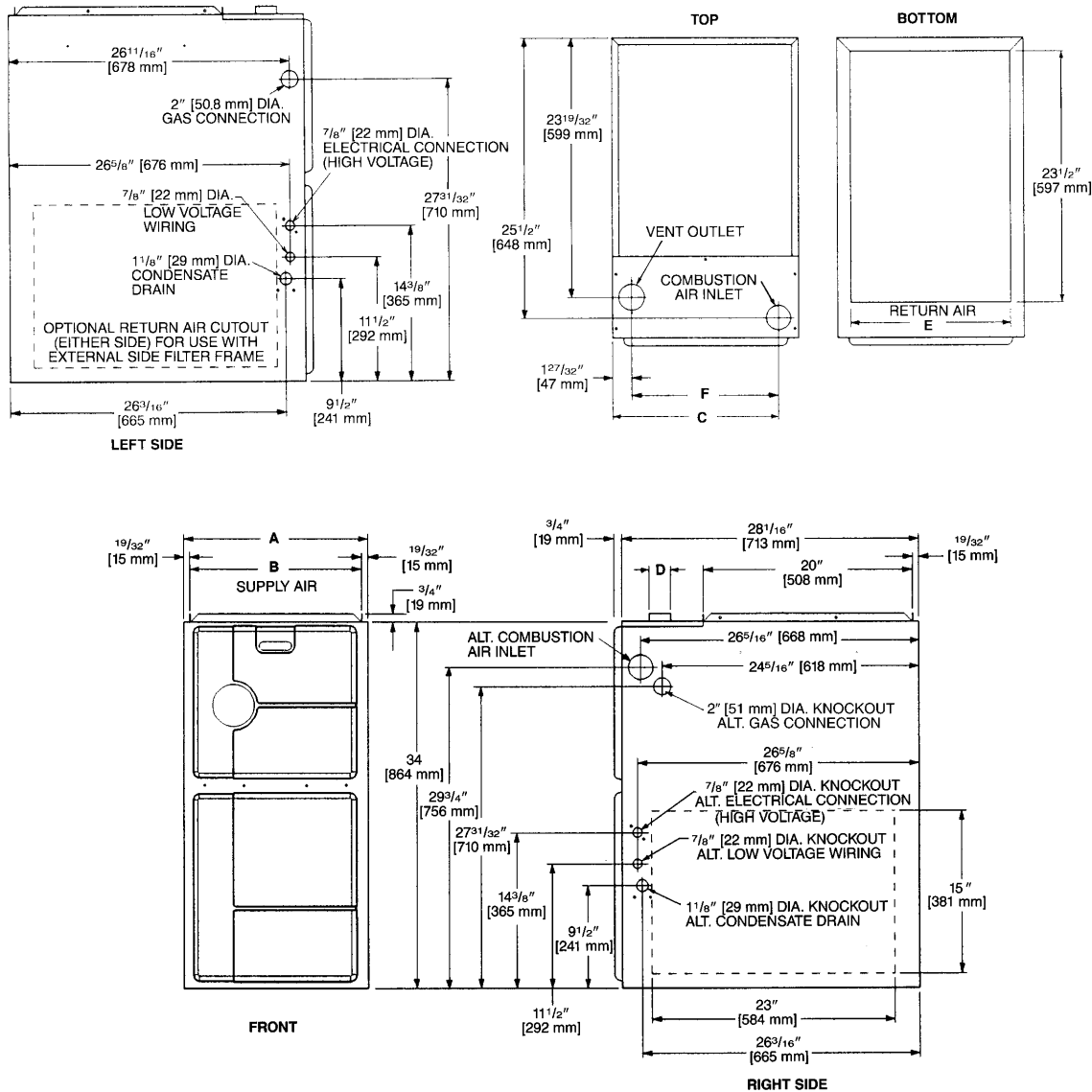
FOSSIL FUEL KIT: RXPF-F01 RXPF-F02 (TVA)

RHEEM GAS FURNACES

www.rheemac.com

TECHNICAL INFORMATION (cont'd)

RHEEM CLASSIC® SERIES 90 PLUS WITH DUAL COMFORT CONTROL TWO-STAGE UPFLOW GAS FURNACES RGRL-SERIES — UPFLOW MODELS



MODEL RGRL-	A	B	C	D	E	F	LEFT SIDE	MINIMUM CLEARANCE (IN.) [mm]					SHIP WGTS. [kg]
								RIGHT SIDE	BACK	TOP	FRONT	VENT	
04-M	17 ^{1/2} [445]	16 ^{11/32} [415]	15 ^{5/8} [397]	2 [51]	15 [422]	13 ^{25/32} [352]	0	0	0	1 [25]	2 [51]	0	111 [50]
06-M	17 ^{1/2} [445]	16 ^{11/32} [415]	15 ^{5/8} [397]	2 [51]	15 [422]	13 ^{25/32} [352]	0	0	0	1 [25]	2 [51]	0	117 [53]
07-M	17 ^{1/2} [445]	16 ^{11/32} [415]	15 ^{5/8} [397]	2 [51]	15 [422]	13 ^{25/32} [352]	0	0	0	1 [25]	2 [51]	0	123 []
07-Y	21 [533]	19 ^{27/32} [504]	19 ^{1/8} [487]	2 [51]	18 ^{1/2} [511]	17 ^{9/32} [441]	0	0	0	1 [25]	2 [51]	0	145 [66]
09-Z	21 [533]	19 ^{27/32} [504]	19 ^{1/8} [487]	2 [51]	18 ^{1/2} [511]	17 ^{9/32} [441]	0	0	0	1 [25]	2 [51]	0	148 [67]
10-Z	21 [533]	19 ^{27/32} [504]	19 ^{1/8} [487]	2 [51]	18 ^{1/2} [511]	17 ^{9/32} [441]	0	0	0	1 [25]	2 [51]	0	152 [69]

*E=Standard
*N=NO, Models

[] Designates Metric Conversions

- E.&O.E. - All Prices F.O.B. Our Warehouse - Subject to Change Without Notice - All Taxes Extra - May not be Available at All Branches -

RHEEM GAS FURNACES

www.rheemac.com

TECHNICAL INFORMATION (cont'd)

RHEEM CLASSIC® SERIES 90 PLUS WITH DUAL COMFORT CONTROL TWO-STAGE UPFLOW GAS FURNACES (cont'd)

RGRL-SERIES — ACCESSORIES — UPFLOW

VENT TERMINATION KITS CONCENTRIC: HORIZONTAL/
VERTICAL =

RXGY-E03A (US & Canadian Installations)

HORIZONTAL TWO PIPE: RXGY-D02, RXGY-D03, RXGY-D04
(US Installations)

RXGY-D02A, RXGY-D03A, RXGY-D04A (Canadian Installations)

RXGY-G02 (US Only)

CONDENSATE PUMP KIT: RXGY-B01

NEUTRALIZER KIT: RXGY-A01

FOSSIL FUEL KIT: RXPF-F01, RXPF-F02 (TVA)

RETURN AIR PLENUM: RXGR-C17B, RXGR-C21B, RXGR-C24B

LP CONVERSION KITS:

U.S./Canadian RXGJ-FP19 or RXGJ-FP21

EXTERNAL BOTTOM FILTER RACK: RXGF-CB

EXTERNAL SIDE FILTER RACK: RXGF-CA

FILTER RACK FILTER SIZES* INCHES [mm]		
MODEL RGRL-	RXGF-CB (BOTTOM)	RXGF-CA (SIDE)
04	15 ³ / ₄ x 25 [400 x 635]	15 ³ / ₄ x 25 [400 x 635]
06	15 ³ / ₄ x 25 [400 x 635]	15 ³ / ₄ x 25 [400 x 635]
07EM 07NM	15 ³ / ₄ x 25 [400 x 635]	15 ³ / ₄ x 25 [400 x 635]
07EY 07NY	19 ¹ / ₄ x 25 [489 x 635]	15 ³ / ₄ x 25 [400 x 635]
09	19 ¹ / ₄ x 25 [489 x 635]	15 ³ / ₄ x 25 [400 x 635]
10	19 ¹ / ₄ x 25 [489 x 635]	15 ³ / ₄ x 25 [400 x 635]

*Filter racks are shipped without filters.
Filters shipped with furnace may be used or a suitable 1" [25.4 mm] filter.

[] Designates Metric Conversions

FOR HIGH ALTITUDES:

HIGH ALTITUDE KIT:

INPUT BTU/HR [kW]	HIGH ALTITUDE KIT NO.
45,000 [13]	RXGY-F18
60,000 [18]	RXGY-F18
75,000 [22]	Not Required
90,000 [26]	RXGY-F20
105,000 [31]	Not Required

NOTE: High altitude kits and options do **NOT** include additional burner orifices. If a burner orifice change is necessary, they must be ordered through PROSTOCK®. See Installation Instructions for more information.

Option – 278 furnaces are shipped with #51 DMS orifices installed. This is one drill size smaller than standard furnaces to account for expected average elevations and heating values typically seen in these areas.

CAUTION: Always follow National Fuel Gas Code (NFGC) guidelines when converting for high altitudes.

For all installations above 2000 ft. (including all option – 278 models), the burner orifice size needs to be recalculated and verified. A burner orifice change may still be required. See Installation Instructions for more information.

NOTE: For Canadian installations only, an optional derate (manifold gas pressure reduction) method may be used to adjust the furnace for altitude. See Installation Instructions for more information. This optional method may **NOT** be used for U.S. installations.

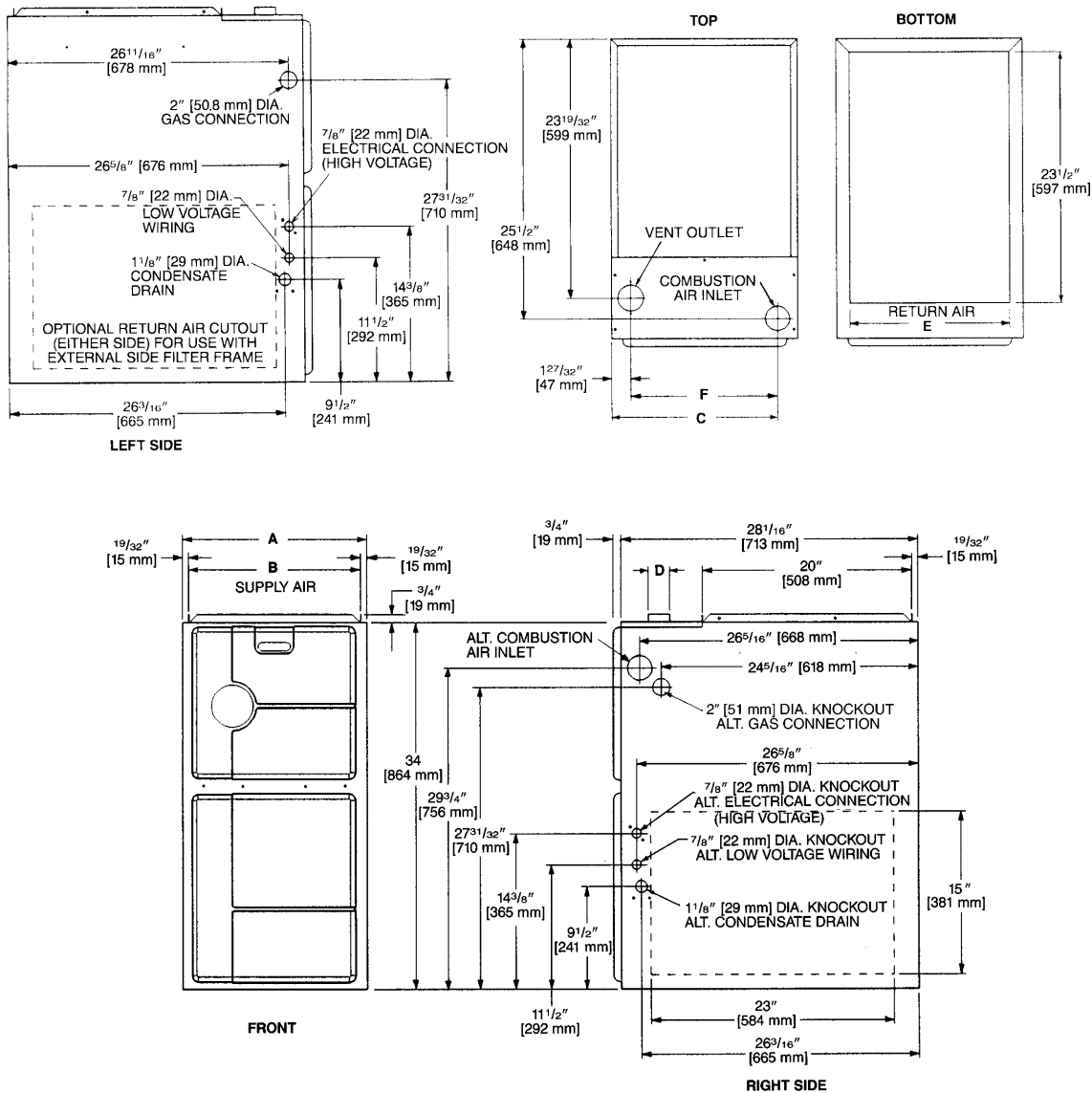
(U.S. Models—Kit packaged with furnace.
Requires field installation).

RHEEM GAS FURNACES

www.rheemac.com

TECHNICAL INFORMATION (cont'd)

RHEEM CLASSIC® SERIES 95% A.F.U.E. with DUAL COMFORT CONTROL™ TWO-STAGE UPFLOW GAS FURNACES RGRM- SERIES — UPFLOW MODELS



MODEL RGRM-	A	B	C	D	E	F	LEFT SIDE	MINIMUM CLEARANCE (IN.) [mm]				
								RIGHT SIDE	BACK	TOP	FRONT	VENT
04*M	17.5 [445]	16 ¹¹ / ₃₂ [415]	15 ⁵ / ₈ [397]	2 [51]	15 [422]	13 ²⁵ / ₃₂ [352]	0	0	0	1 [25]	2 [51]	0
06*M	17.5 [445]	16 ¹¹ / ₃₂ [415]	15 ⁵ / ₈ [397]	2 [51]	15 [422]	13 ²⁵ / ₃₂ [352]	0	0	0	1 [25]	2 [51]	0
07*M	17.5 [445]	16 ¹¹ / ₃₂ [415]	15 ⁵ / ₈ [397]	2 [51]	15 [422]	13 ²⁵ / ₃₂ [352]	0	0	0	1 [25]	2 [51]	0
07*Y	21 [533]	19 ²⁷ / ₃₂ [504]	19 ¹ / ₈ [487]	2 [51]	18 ¹ / ₂ [511]	17 ⁹ / ₃₂ [441]	0	0	0	1 [25]	2 [51]	0
09*Z	21 [533]	19 ²⁷ / ₃₂ [504]	19 ¹ / ₈ [487]	2 [51]	18 ¹ / ₂ [511]	17 ⁹ / ₃₂ [441]	0	0	0	1 [25]	2 [51]	0
10*Z	21 [533]	19 ²⁷ / ₃₂ [504]	19 ¹ / ₈ [487]	2 [51]	18 ¹ / ₂ [511]	17 ⁹ / ₃₂ [441]	0	0	0	1 [25]	2 [51]	0
12*R	24.5 [622]	23 ¹¹ / ₃₂ [593]	22 ⁵ / ₈ [575]	2 [51]	22 [600]	20 ²⁵ / ₃₂ [530]	0	0	0	1 [25]	2 [51]	0

*E=Standard
*N=NO_x

[] Designates Metric Conversions

– E.&O.E. – All Prices F.O.B. Our Warehouse – Subject to Change Without Notice – All Taxes Extra – May not be Available at All Branches –

RHEEM GAS FURNACES

www.rheemac.com

TECHNICAL INFORMATION (cont'd)

RHEEM CLASSIC® SERIES 95% A.F.U.E. with DUAL COMFORT CONTROL™ TWO-STAGE UPFLOW GAS FURNACES (cont'd)

RGRM- SERIES — ACCESSORIES — UPFLOW

VENT TERMINATION KITS CONCENTRIC: HORIZONTAL/
VERTICAL =

RXGY-E03A (US & Canadian Installations)

HORIZONTAL TWO PIPE: RXGY-D02, RXGY-D03, RXGY-D04
(US Installations)

RXGY-D02A, RXGY-D03A, RXGY-D04A (Canadian Installations)

RXGY-G02 (US Only)

CONDENSATE PUMP KIT: RXGY-B01

NEUTRALIZER KIT: RXGY-A01

FOSSIL FUEL KIT: RXPF-F01, RXPF-F02 (TVA)

RETURN AIR PLENUM: RXGR-C17B, RXGR-C21B, RXGR-C24B

FOR HIGH ALTITUDES: HIGH ALTITUDE KIT:

INPUT BTU/HR [kW]	HIGH ALTITUDE KIT NO.
RGRM-04*M	RXGY-F18
RGRM-06*M	RXGY-F18
RGRM-07*M	Not Required
RGRM-07*Y	Not Required
RGRM-09*Z	RXGY-F20
RGRM-10*Z	Not Required
RGRM-12*R	RXGY-F21

Option – 278 furnaces are shipped with #51 DMS orifices installed. This is one drill size smaller than standard furnaces to account for expected average elevations and heating values typically seen in these areas.

CAUTION: Always follow National Fuel Gas Code (NFGC) guidelines when converting for high altitudes.

For all installations above 2000 ft. (including all option – 278 models), the burner orifice size needs to be recalculated and verified. A burner orifice change may still be required. See Installation Instructions for more information.

NOTE: For Canadian installations only, an optional derate (manifold gas pressure reduction) method may be used to adjust the furnace for altitude. See Installation Instructions for more information. This optional method may **NOT** be used for U.S. installations.

(U.S. Models—Kit packaged with furnace.
Requires field installation).

PLENUM DATA FOR “A” COILS

Plenum adapters are required in some instances for use on upflow applications when plenum and furnace size do not match.

FURNACE WIDTH IN. [mm]	PLENUM WIDTH IN. [mm]	PLENUM ADAPTER UPFLOW	COIL PLENUM
14 [356]	16 ¹ / ₄ [413]	RXAA-C171	RXAL-B16BU
14 [356]	20 ¹ / ₄ [514]	RXAA-C172	RXAL-B20BU
17 ¹ / ₂ [445]	16 ¹ / ₄ [413]	RXAA-C185	RXAL-B16BU
17 ¹ / ₂ [445]	20 ¹ / ₄ [514]	RXAA-C173	RXAL-B20BU
17 ¹ / ₂ [445]	21 ⁵ / ₈ [549]	RXAA-C187	RXAL-B21BU
17 ¹ / ₂ [445]	25 ¹ / ₄ [641]	RXAA-C174	RXAL-B25BU
21 [533]	25 ¹ / ₄ [641]	RXAA-C175	RXAL-B25BU
21 [533]	22 ¹ / ₄ [565]	RXAA-C176	RXAL-B22BU
21 [533]	21 ⁵ / ₈ [549]	RXAA-C188	RXAL-B21BU
24 ¹ / ₂ [622]	25 ¹ / ₄ [641]	RXAA-C177	RXAL-B25BU
24 ¹ / ₂ [622]	21 ⁵ / ₈ [549]	RXAA-C187	RXAL-B21BU

Note: See Form Number C11-206 for MultiFlex® coil data.

LP CONVERSION KITS:

U.S./Canadian RXGJ-FP19 or RXGJ-FP21

EXTERNAL BOTTOM FILTER RACK: RXGF-CB

EXTERNAL SIDE FILTER RACK: RXGF-CA

FILTER RACK FILTER SIZES* INCHES [mm]		
MODEL RGRM-	RXGF-CB (BOTTOM)	RXGF-CA (SIDE)
04	15 ³ / ₄ x 25 [400 x 635]	15 ³ / ₄ x 25 [400 x 635]
06	15 ³ / ₄ x 25 [400 x 635]	15 ³ / ₄ x 25 [400 x 635]
07EM 07NM	15 ³ / ₄ x 25 [400 x 635]	15 ³ / ₄ x 25 [400 x 635]
07EY 07NY	19 ¹ / ₄ x 25 [489 x 635]	15 ³ / ₄ x 25 [400 x 635]
09	19 ¹ / ₄ x 25 [489 x 635]	15 ³ / ₄ x 25 [400 x 635]
10	19 ¹ / ₄ x 25 [489 x 635]	15 ³ / ₄ x 25 [400 x 635]
12	22 ³ / ₄ x 25 [578 x 635]	15 ³ / ₄ x 25 [400 x 635]

*Filter racks are shipped without filters.

Filters shipped with furnace may be used or a suitable 1" [25.4 mm] filter.

[] Designates Metric Conversions

– E.&O.E. – All Prices F.O.B. Our Warehouse – Subject to Change Without Notice – All Taxes Extra – May not be Available at All Branches –

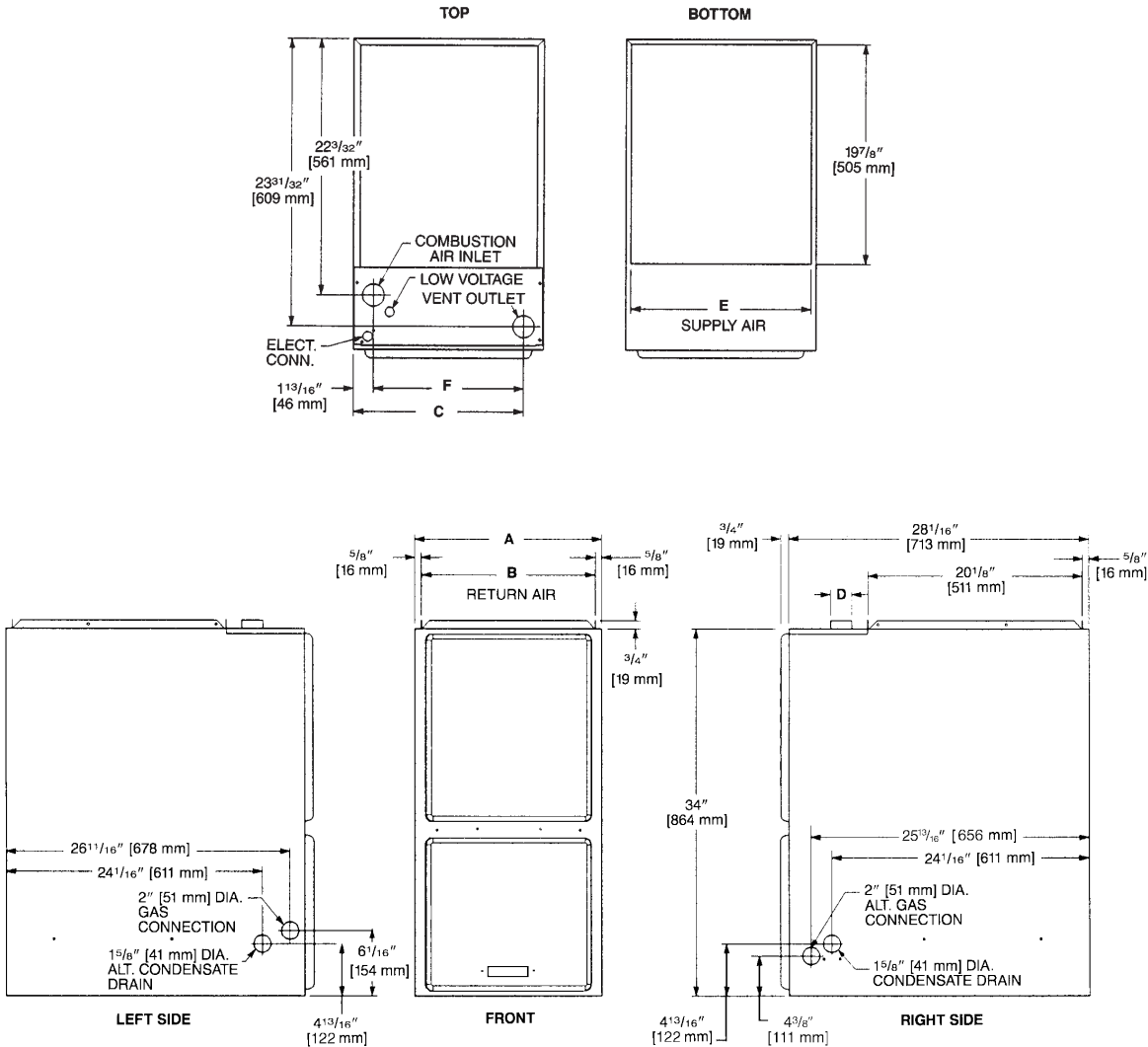
RHEEM GAS FURNACES

www.rheemac.com

TECHNICAL INFORMATION (cont'd)

RHEEM CLASSIC® SERIES 95% A.F.U.E. with DUAL COMFORT CONTROL™ TWO-STAGE DOWNFLOW/HORIZONTAL GAS FURNACES

RGTM- SERIES — DOWNFLOW MODELS



MODEL RGTM-	A	B	C	D	E	F	LEFT SIDE	MINIMUM CLEARANCE (IN.) [mm]					SHIP WGTS. [kg]
								RIGHT SIDE	BACK	TOP	FRONT	VENT	
06	17 ¹ / ₂ [445]	16 ¹ / ₃₂ [415]	15 ⁵ / ₈ [397]	2 [51]	16 ⁵ / ₈ [422]	13 ⁷ / ₈ [352]	0	0	0	1 [25]	2 [51]	0	123 [56]
07	21 [533]	19 ²⁷ / ₃₂ [504]	19 ⁹ / ₁₆ [486]	2 [51]	20 ¹ / ₈ [511]	17 ³ / ₈ [441]	0	0	0	1 [25]	2 [51]	0	123 [56]
09	21 [533]	19 ²⁷ / ₃₂ [504]	19 ⁹ / ₁₆ [486]	2 [51]	20 ¹ / ₈ [511]	17 ³ / ₈ [441]	0	0	0	1 [25]	2 [51]	0	148 [67]
10	24 ¹ / ₂ [621]	23 ¹ / ₃₂ [593]	22 ⁵ / ₈ [575]	2 [51]	23 ⁵ / ₈ [600]	20 ⁷ / ₈ [530]	0	0	0	1 [25]	2 [51]	0	165 [75]

[] Designates Metric Conversions

IMPORTANT NOTE: Horizontal furnace may be installed for horizontal left hand air supply **ONLY**. The condensate trap provided for horizontal application must be installed in the field beneath the unit as directed in the furnace Installation & Operating Instructions.

- E.&O.E. - All Prices F.O.B. Our Warehouse - Subject to Change Without Notice - All Taxes Extra - May not be Available at All Branches -

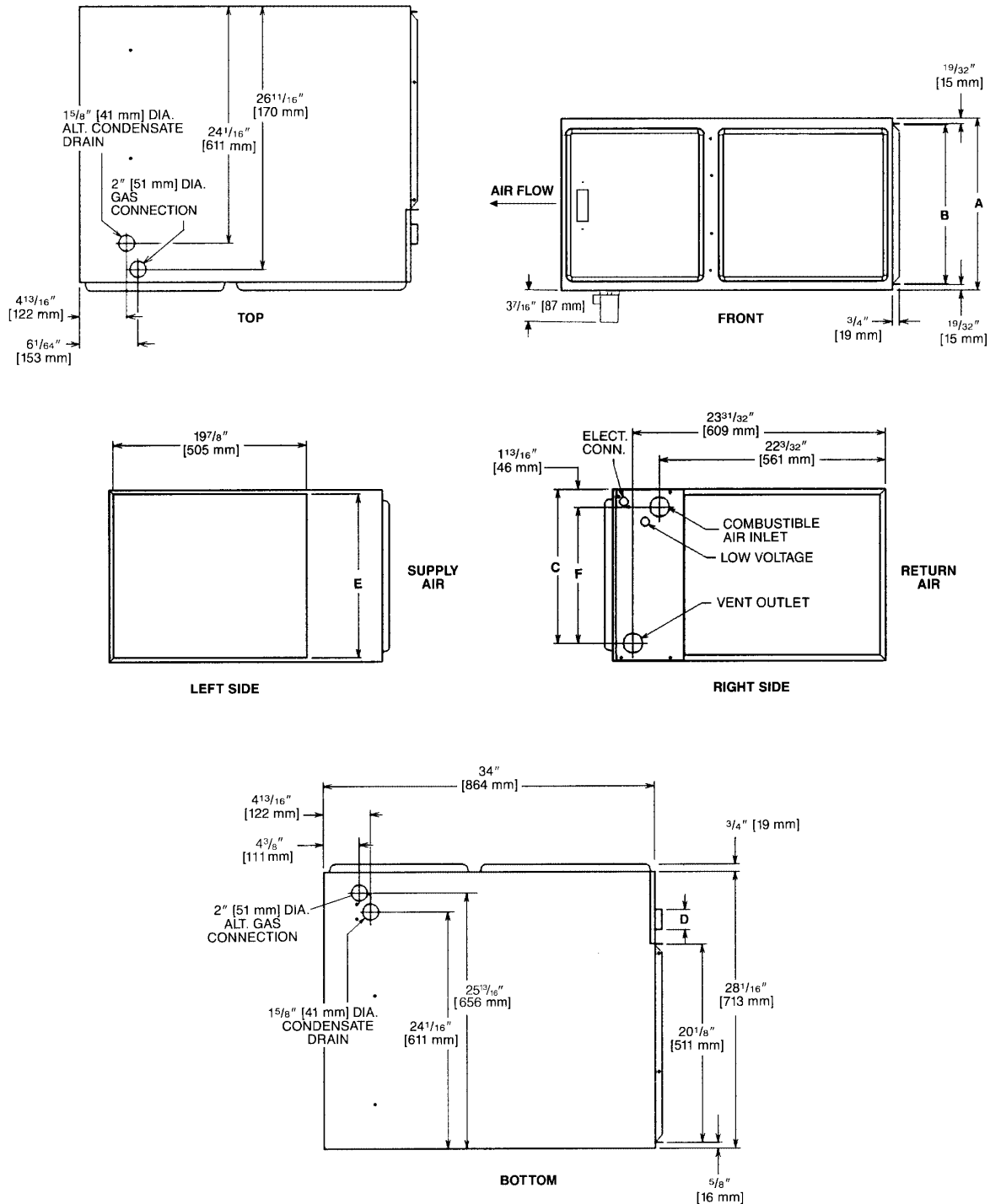
RHEEM GAS FURNACES

www.rheemac.com

TECHNICAL INFORMATION (cont'd)

RHEEM CLASSIC® SERIES 95% A.F.U.E. WITH DUAL COMFORT CONTROL™ TWO-STAGE DOWNFLOW/HORIZONTAL GAS FURNACES (cont'd)

RGTM- SERIES — HORIZONTAL MODELS



IMPORTANT NOTE: Horizontal furnace may be installed for horizontal left hand air supply **ONLY**. The condensate trap provided for horizontal application must be installed in the field beneath the unit as directed in the furnace Installation & Operating Instructions.

- E.&O.E. - All Prices F.O.B. Our Warehouse - Subject to Change Without Notice - All Taxes Extra - May not be Available at All Branches -

RHEEM GAS FURNACES

www.rheemac.com

TECHNICAL INFORMATION (cont'd)

RHEEM CLASSIC® SERIES 95% A.F.U.E. with DUAL COMFORT CONTROL™ TWO-STAGE DOWNFLOW/HORIZONTAL GAS FURNACES (cont'd)

RGTM- SERIES — ACCESSORIES — DOWNFLOW

VENT TERMINATION KITS CONCENTRIC: HORIZONTAL/
VERTICAL =

RXGY-E03A (US & Canadian Installations)

HORIZONTAL TWO PIPE: RXGY-D02, RXGY-D03, RXGY-D04
(US Installations)

RXGY-D02A, RXGY-D03A, RXGY-D04A (Canadian Installations)

RXGY-G02 (US Only)

CONDENSATE PUMP KIT: RXGY-B01

NEUTRALIZER KIT: RXGY-A01

FOSSIL FUEL KIT: RXPF-F01, RXPF-F02 (TVA)

RETURN AIR PLENUM: RXGR-C17B, RXGR-C21B, RXGR-C24B

FOR HIGH ALTITUDES:

HIGH ALTITUDE KIT: NOT REQUIRED

NOTE: For Canadian installations only, an optional derate (manifold gas pressure reduction) method may be used to adjust the furnace for altitude. See Installation Instructions for more information. This optional method may **NOT** be used for U.S. installations.

[] Designates Metric Conversions

PLENUM DATA FOR "A" COILS

Plenum adapters are required in some instances for use on down-flow applications when plenum and furnace size do not match.

FURNACE WIDTH IN. [mm]	PLENUM WIDTH IN. [mm]	PLENUM ADAPTER UPFLOW	COIL PLENUM
14 [356]	16 ¹ / ₄ [413]	RXAA-C171	RXAL-B16BU
14 [356]	20 ¹ / ₄ [514]	RXAA-C172	RXAL-B20BU
17 ¹ / ₂ [445]	16 ¹ / ₄ [413]	RXAA-C185	RXAL-B16BU
17 ¹ / ₂ [445]	20 ¹ / ₄ [514]	RXAA-C173	RXAL-B20BU
17 ¹ / ₂ [445]	21 ⁵ / ₈ [549]	RXAA-C187	RXAL-B21BU
17 ¹ / ₂ [445]	25 ¹ / ₄ [641]	RXAA-C174	RXAL-B25BU
21 [533]	25 ¹ / ₄ [641]	RXAA-C175	RXAL-B25BU
21 [533]	22 ¹ / ₄ [565]	RXAA-C176	RXAL-B22BU
21 [533]	21 ⁵ / ₈ [549]	RXAA-C188	RXAL-B21BU
24 ¹ / ₂ [622]	25 ¹ / ₄ [641]	RXAA-C177	RXAL-B25BU
24 ¹ / ₂ [622]	21 ⁵ / ₈ [549]	RXAA-C187	RXAL-B21BU

Note: See Form Number C11-206 for MultiFlex® coil data.

LP CONVERSION KITS:

U.S./Canadian RXGJ-FP26 or RXGJ-FP21

EXTERNAL BOTTOM FILTER RACK: RXGF-CB

EXTERNAL SIDE FILTER RACK: RXGF-CA

MODEL RGTM-	FILTER RACK FILTER SIZES* INCHES [mm]	
	RXGF-CB (BOTTOM)	RXGF-CA (SIDE)
06	15 ³ / ₄ x 25 [400 x 635]	15 ³ / ₄ x 25 [400 x 635]
07ER 07NR	19 ¹ / ₄ x 25 [489 x 635]	15 ³ / ₄ x 25 [400 x 635]
09	19 ¹ / ₄ x 25 [489 x 635]	15 ³ / ₄ x 25 [400 x 635]
10	22 ³ / ₄ x 25 [578 x 635]	15 ³ / ₄ x 25 [400 x 635]

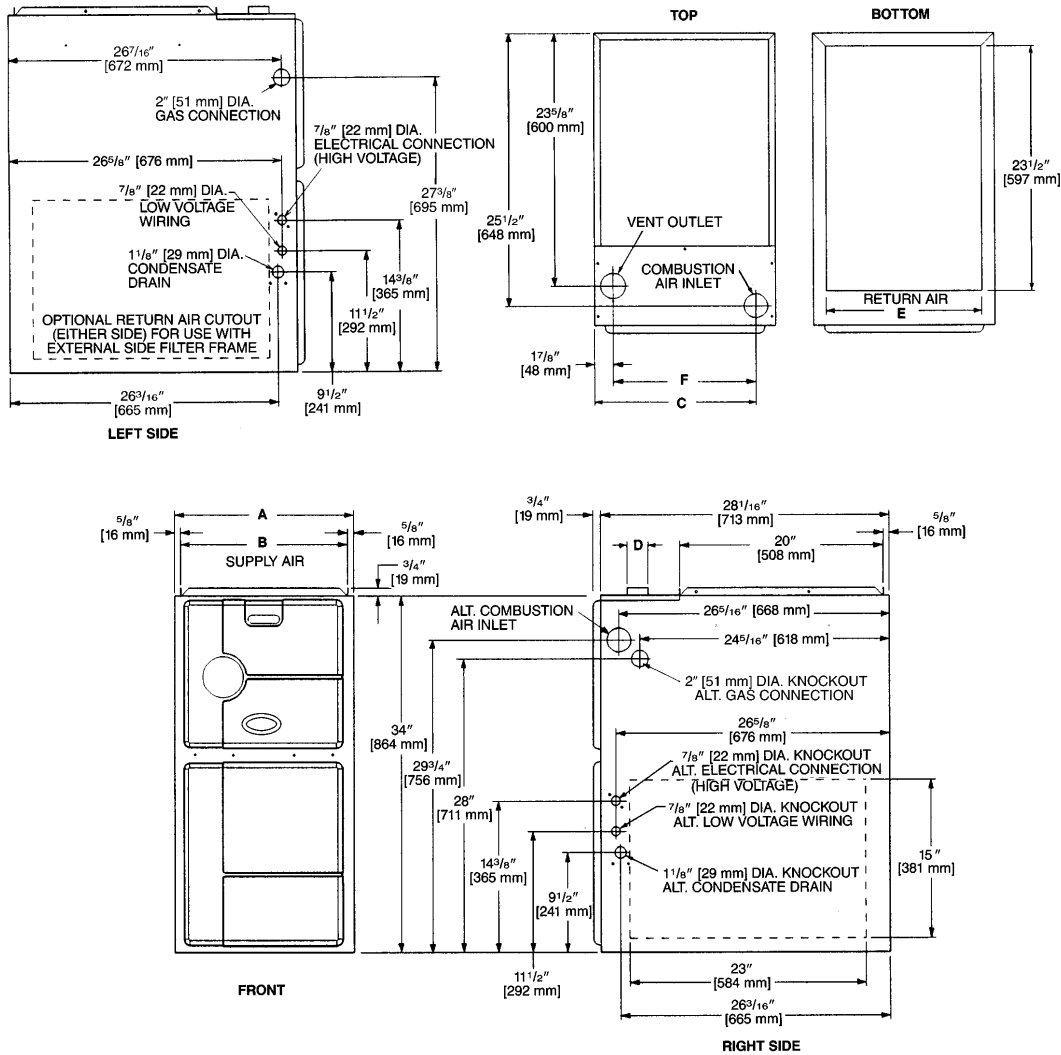
*Filter racks are shipped without filters.

Filters shipped with furnace may be used or a suitable 1" [25.4 mm] filter.

TECHNICAL INFORMATION (cont'd)

RHEEM PRESTIGE® SERIES 90 PLUS® COMMUNICATING MODULATING UPFLOW GAS FURNACES EQUIPPED WITH THE COMFORT CONTROL² SYSTEM AND CONTOUR COMFORT CONTROL®

RGFE- SERIES — UPFLOW MODELS



MODEL RGFE-	A	B	C	D	E	F	LEFT SIDE	MINIMUM CLEARANCE (IN.) [mm]				
								RIGHT SIDE	BACK	TOP	FRONT	VENT
06	17 1/2 [445]	16 3/8 [416]	15 5/8 [397]	2 [51]	15 [422]	13 13/16 [351]	0	0	0	1 [25]	2 [51]	0
07	17 1/2 [445]	16 3/8 [416]	15 5/8 [397]	2 [51]	15 [422]	13 13/16 [351]	0	0	0	1 [25]	2 [51]	0
09	21 [533]	19 7/8 [505]	19 1/8 [487]	2 [51]	18 1/2 [511]	17 5/16 [440]	0	0	0	1 [25]	2 [51]	0
10	21 [533]	19 7/8 [505]	19 1/8 [487]	2 [51]	18 1/2 [511]	17 5/16 [440]	0	0	0	1 [25]	2 [51]	0
12	24 1/2 [622]	23 3/8 [594]	22 5/8 [575]	2 [51]	22 [600]	20 13/16 [529]	0	0	0	1 [25]	2 [51]	0

[] Designates Metric Conversions

- E.&O.E. - All Prices F.O.B. Our Warehouse - Subject to Change Without Notice - All Taxes Extra - May not be Available at All Branches -

RHEEM GAS FURNACES

www.rheemac.com

TECHNICAL INFORMATION (cont'd)

RHEEM **PRESTIGE® SERIES 90 PLUS®** COMMUNICATING MODULATING UPFLOW GAS FURNACES EQUIPPED WITH THE COMFORT CONTROL² SYSTEM AND CONTOUR COMFORT CONTROL® (cont'd)

RGFE- SERIES — ACCESSORIES — UPFLOW

VENT TERMINATION KITS CONCENTRIC: HORIZONTAL/
VERTICAL =

RXGY-E03A (US & Canadian Installations)

HORIZONTAL TWO PIPE: RXGY-D02, RXGY-D03, RXGY-D04
(US Installations)

RXGY-D02A, RXGY-D03A, RXGY-D04A (Canadian Installations)

RXGY-G02 (US Only)

CONDENSATE PUMP KIT: RXGY-B01

NEUTRALIZER KIT: RXGY-A01

RETURN AIR PLENUM: RXGR-C17B
RXGR-C21B
RXGR-B24B

EXTERNAL BOTTOM FILTER RACK: RXGF-CB

EXTERNAL SIDE FILTER RACK: RXGF-CA

FILTER RACK FILTER SIZES* INCHES [mm]		
MODEL RGFE-	RXGF-CB (BOTTOM)	RXGF-CA (SIDE)
06	15 ³ / ₄ x 25 [400 x 635]	15 ³ / ₄ x 25 [400 x 635]
07	15 ³ / ₄ x 25 [400 x 635]	15 ³ / ₄ x 25 [400 x 635]
09	19 ¹ / ₄ x 25 [489 x 635]	15 ³ / ₄ x 25 [400 x 635]
10	19 ¹ / ₄ x 25 [489 x 635]	15 ³ / ₄ x 25 [400 x 635]
12	22 ³ / ₄ x 25 [578 x 635]	15 ³ / ₄ x 25 [400 x 635]

*Filter racks are shipped without filters.
Filters shipped with furnace may be used or a suitable 1" [25.4 mm] filter.

PLENUM DATA FOR "A" COILS

Plenum adapters are required in some instances for use on upflow applications when plenum and furnace size do not match.

FURNACE WIDTH IN. [mm]	PLENUM WIDTH IN. [mm]	PLENUM ADAPTER UPFLOW	COIL PLENUM
17 ¹ / ₂ [445]	16 ¹ / ₄ [413]	RXAA-C185	RXAL-B16BU
17 ¹ / ₂ [445]	20 ¹ / ₄ [514]	RXAA-C173	RXAL-B20BU
17 ¹ / ₂ [445]	21 ⁵ / ₈ [549]	RXAA-C187	RXAL-B21BU
17 ¹ / ₂ [445]	25 ¹ / ₄ [641]	RXAA-C174	RXAL-B25BU
21 [533]	25 ¹ / ₄ [641]	RXAA-C175	RXAL-B25BU
21 [533]	22 ¹ / ₄ [565]	RXAA-C176	RXAL-B22BU
21 [533]	21 ⁵ / ₈ [549]	RXAA-C188	RXAL-B21BU
24 ¹ / ₂ [622]	25 ¹ / ₄ [641]	RXAA-C177	RXAL-B25BU
24 ¹ / ₂ [622]	21 ⁵ / ₈ [549]	RXAA-C187	RXAL-B21BU

Note: See Form Number C11-206 for MultiFlex® coil data.

LP KIT: (Available through PROSTOCK®)

U.S./Canadian = RXGJ-FP07 (HG & HB Fuel codes only).

U.S./Canadian = RXGJ-FP27 (HA & HH Fuel codes only).

THERMOSTATS

RECOMMENDED MODULATING FURNACE THERMOSTAT



RHC-TST550CMMS

CONTRACTOR BENEFITS:

- Multi-Purpose Thermostat-Setup, Control & Diagnostics
- Auto-Configuration – No Manual Settings Required in the Field
- System History – More Accurate Diagnostics
- Easy Installation – Requires only 4 wires
- Diagnostic Messages (Service Access to Fault Codes)
- Blower Adjustment in Heat and Cool
- Programmable Fan
- USB Interface for contractor contact information and thermostat programming

HOMEOWNER BENEFITS:

- Scrolling System Status
- De-Humidification Control
- Humidification Control
- Heat/Cool/Auto Change-over
- Outdoor Temperature Display
- Backlight On/Off
- Intelligent Scheduling Ramp-Up/Program Anticipation
- Audio Notifications On/Off
- Air Filter, UV Lights & Humidifier Maintenance Reminder
- Temperature Offset
- Continuous Fan (Hi, Med, Lo)

FOSSIL FUEL KIT

RXPF-F02

*PROGRAMMABLE THERMOSTAT ACCESSORIES:

Adapter Plate = F61-2600

Remote F1451328 and F1451378 Sensor

*Available through PROSTOCK®.

[] Designates Metric Conversions