

INSTALLATION INSTRUCTIONS FOR RXGF-CB UPFLOW BOTTOM MOUNT EXTERNAL FILTER KIT

IMPORTANT

TO ENSURE PROPER INSTALLATION AND OPERATION OF THIS PRODUCT, COMPLETELY READ ALL INSTRUCTIONS PRIOR TO ATTEMPTING TO ASSEMBLE, INSTALL, OPERATE, MAINTAIN OR REPAIR THIS PRODUCT. UPON UNPACKING OF FILTER KIT, INSPECT ALL PARTS FOR DAMAGE PRIOR TO INSTALLATION AND START UP.

1. Using the screws provided, assemble the filter frame kit as shown in Figure 1.
2. **NOTE:** The width of the filter frame is adjustable by moving the front and rear slides as shown in Figure 1. This is so the same filter frame can be used for all three furnace return air variations. The front door is shipped to fit 24½" cabinets. If adjustment for a smaller cabinet is required, the front door must be cut to fit. Cut equal amounts from each end of the door so the front screw will still line up with the holes.
3. Set the filter frame over the return air opening for the furnace.
4. Check to ensure the solid bottom base has been removed from the furnace. See Figure 2.
5. Set the furnace onto the filter frame so that the flanges on the filter frame fit inside the return air opening on the bottom of the furnace jacket.

FIGURE 1. FILTER FRAME KIT

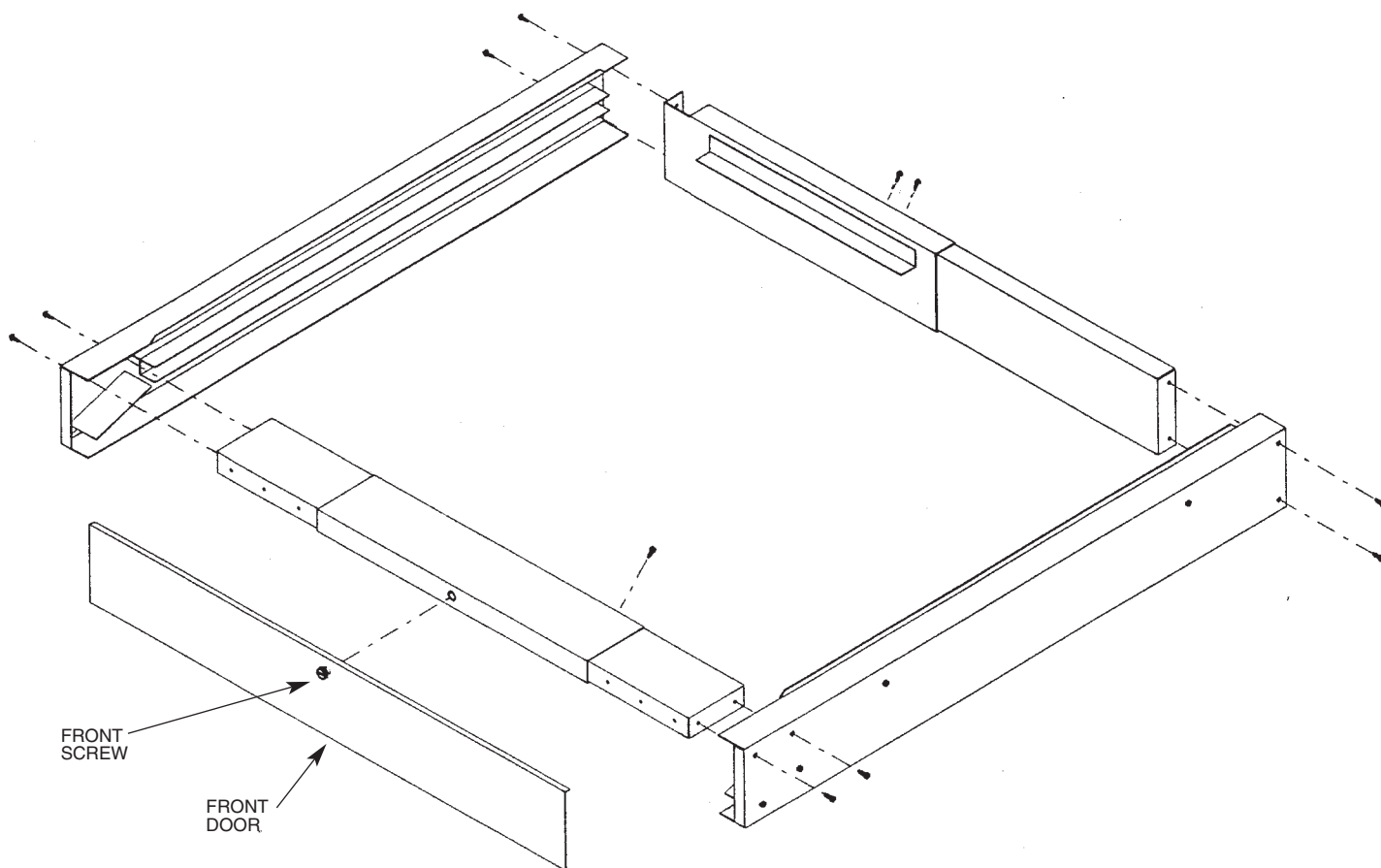
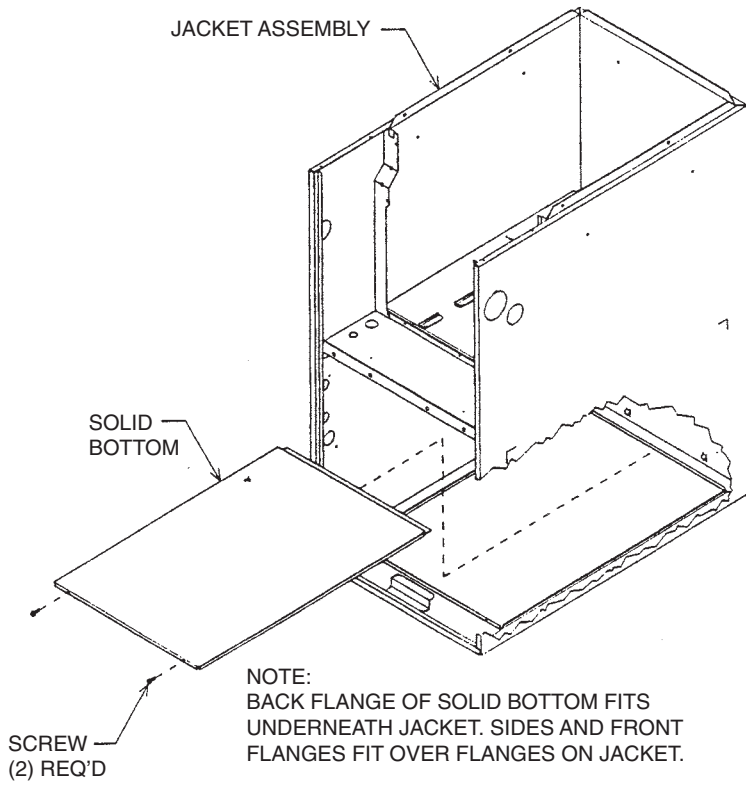


FIGURE 2. BOTTOM PANEL REMOVAL



SOLID BOTTOM REMOVAL

FIGURE 3. UPFLOW BOTTOM MOUNT - RXGF-CB

