



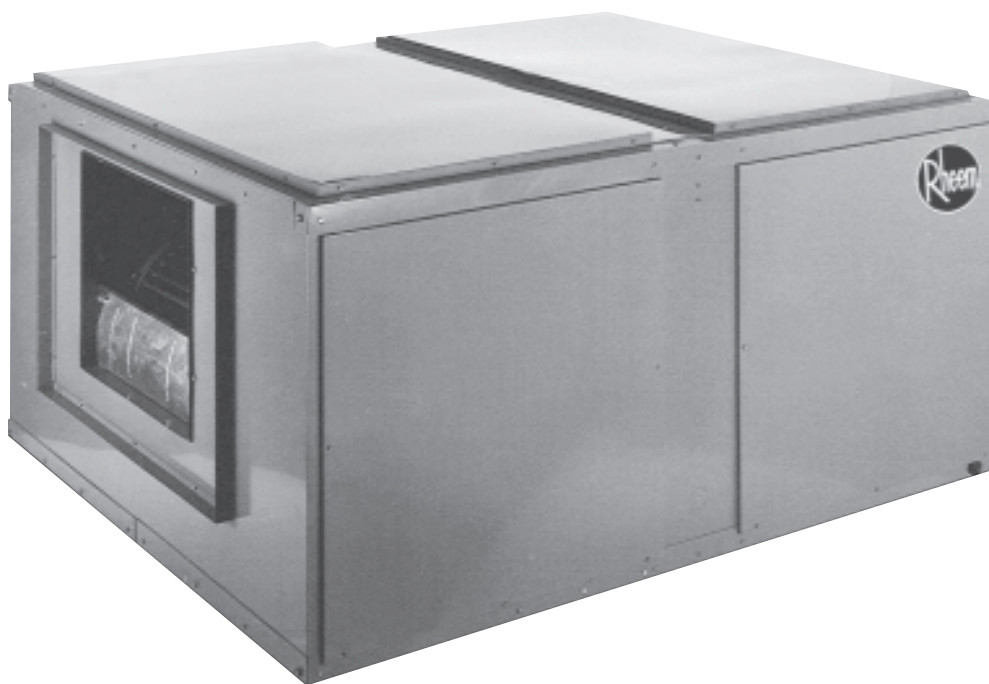
# COMMERCIAL AIR HANDLER

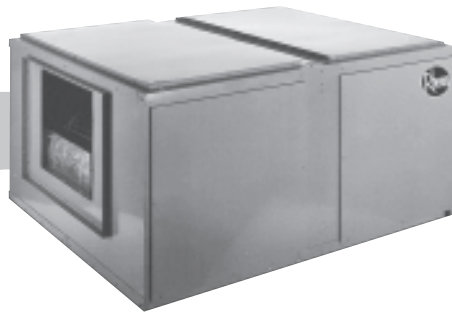
FORM NO. H11-532

Featuring Earth-Friendly R-410A Refrigerant



**RHGM- 090 & 120 SERIES**  
NOMINAL SIZES 7.5 & 10, TONS [26 & 35 kW]





Unit Features.....	3
Model Identification .....	3
Component Location .....	4
Unit Dimensions.....	5
Physical Data .....	6
Drive Package Data.....	6
Airflow Performance Data .....	7-9
Performance Data .....	10-11
Electric Heater Kits .....	12
Accessories.....	13-19
Piping.....	20
Guide Specifications .....	21
Limited Warranty .....	24



## UNIT FEATURES/MODEL IDENTIFICATION—RHGM- SERIES

**CABINET**—Powder coat painted. Matching discharge plenums and decorative supply and return air grilles are available for use when units are to be installed within conditioned space.

**MOTOR**—Inherently protected motors are mounted inside of insulated cabinet to reduce motor noise. A choice of motor horsepower and drive combinations are available to allow you to meet specified CFM at various static pressures up to 2" [.498 kPa] external static pressure.

**LOW PROFILE**—Allows for horizontal installation in most standard drop ceiling applications, and the movement of units through most standard doorways for addition or replacement work.

**THERMAL EXPANSION VALVES**—Standard all models.

**FILTERS**—One inch [25 mm] throwaway filters are standard, but filter racks are designed to accept either one inch [25 mm] or two inch [51 mm] filters.

**EVAPORATOR COIL**—Two circuit, interlaced row split coils are constructed with copper tubes and aluminum fins mechanically bonded to the tubes for maximum heat transfer capabilities. All coil assemblies are leak tested up to 450 PSIG [3100 kPa] internal pressure prior to installation into units.

**REFRIGERANT CONNECTIONS**—Field piping connections are made through a fixed post between two side access panels on either side of the unit. Allows flexibility to meet most field conditions as well as full accessibility after the installation is complete.

Units may be used with two straight cool condensing units or single circuit manifolded in the field using the copper fittings shipped with each unit. The RHGM Air Handler has not been tested, rated or certified to operate with dual remote heat pumps.

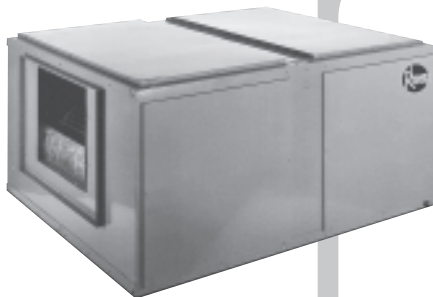
**DRAIN PAN**—The galvanized steel drain pan is designed to trap condensate in either vertical or horizontal installations. Condensate drain connections are located on both sides of the unit allowing complete flexibility to meet most field conditions.

**SERVICE ACCESS**—Two removable panels on top and each side of the unit are easily removed for access to motors, blowers, sheaves, and filters.

**HORIZONTAL OR VERTICAL**—All models are designed for either application and can be installed in either position as supplied from the factory.

**TESTING**—All units are run tested at the factory prior to shipment. Units are shipped with a holding charge of nitrogen.

**HEAT PUMP**—The RHGM-120 Air Handler is designed for heat pump and air conditioning applications. It has two TX valves with internal check valves that allow reverse flow to occur, providing superior control during heating and cooling cycles. RHGM-120 Air Handler has been rated and certified to operate with 7.5 ton [26 kW] and 10 ton [35 kW] condensing units and 7.5 ton [26 kW] and 10 ton [35 kW] remote heat pumps. A 7.5 ton [26 kW] heat pump air handler is **NOT** available.



**R H G M — 120 Z L**

Drive Package (see page 8)  
J = Optional (Field Supplied)  
\*K = Standard  
L = Optional  
M = Optional  
N = Optional (Field Supplied)  
O = Optional (Field Supplied)

Electrical Designation  
\*H = 115-230-1-60 (090/120 only)  
Z = 208-230/460-3-60

Nominal Tons  
090 = 7.5 Tons [26 kW]  
120 = 10.0 Tons [35 kW]

Design Series  
M = Refrigerant R-410A

Type

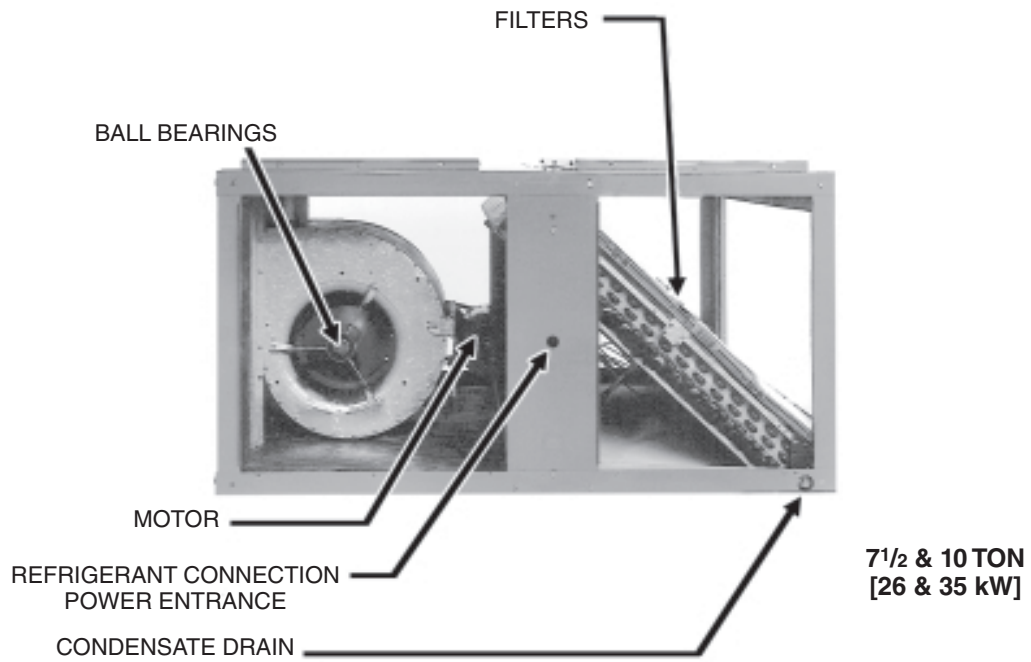
Air Handler

Rheem

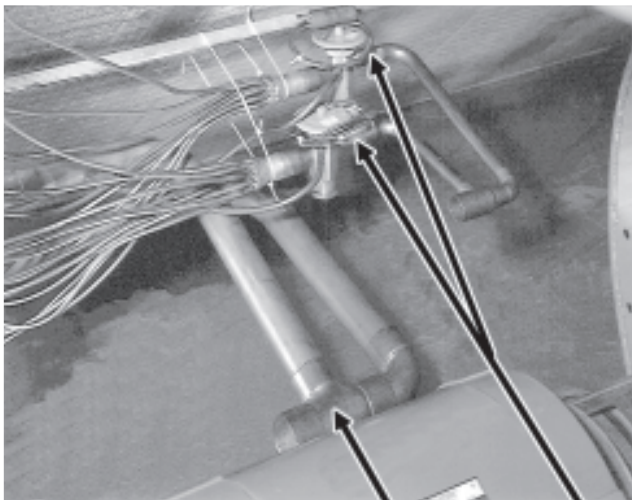
\*\*"H" voltage models are available with "K" drive package only.

[ ] Designates Metric Conversions

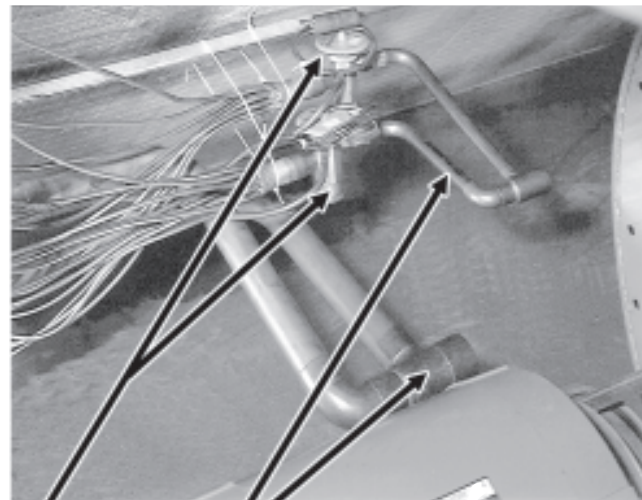
# COMPONENT LOCATION—RHGM- SERIES



7 1/2 ton [26 kW] & 10 ton [35 kW] unit with side panel removed for coil connections and air filter access.



**RHGM-  
7 1/2-10 TON  
[26-35 kW]**



**RHGM-  
7 1/2-10 TON  
[26-35 kW]**

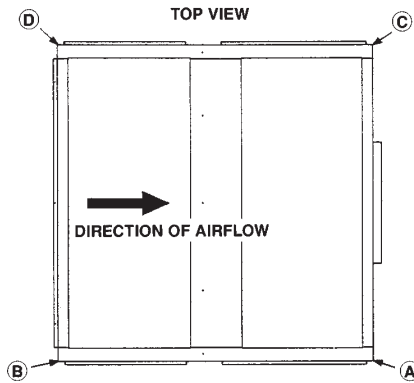
TX VALVES  
SINGLE CIRCUIT MANIFOLD  
REFRIGERANT CONNECTION  
EITHER SIDE

[ ] Designates Metric Conversions



# UNIT DIMENSIONS—RHGM- SERIES

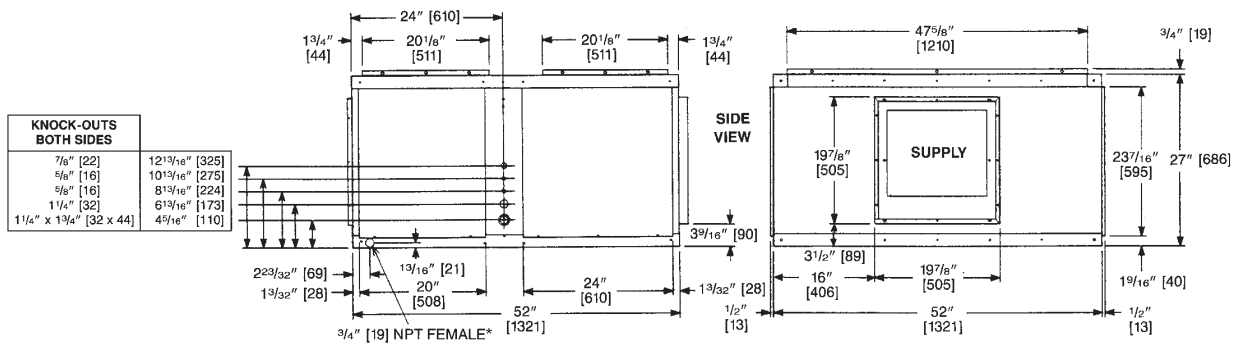
## 7.5 AND 10 NOMINAL TONS [26 AND 35 kW]



RETURN AIR OPENINGS = 47<sup>3</sup>/<sub>8</sub>" [1203] WIDTH x 19<sup>7</sup>/<sub>8</sub>" [505] HEIGHT

MODEL	REFRIGERANT STUB SIZES, IN. [mm]			
	DUAL LIQ.	DUAL SUC.	SINGLE LIQ.	SINGLE SUC.
090	1/2, 1/2 [13, 13]	7/8, 7/8 [22, 22]	5/8 [16]	1 <sup>3</sup> / <sub>8</sub> [35]
120	1/2, 1/2 [13, 13]	7/8, 7/8 [22, 22]	5/8 [16]	1 <sup>3</sup> / <sub>8</sub> [35]

MODEL	CORNER WEIGHTS, LBS. [kg]				TOTAL WEIGHT
	A	B	C	D	
090	98 [44]	86 [40]	97 [44]	84 [38]	365 [166]
120	100 [45]	88 [40]	97 [44]	87 [40]	372 [169]



\*Drain connections are provided on both sides of the drain pan. The drain can be connected to either side of the drain pan, but not both. The drain must be trapped.

# PHYSICAL DATA/DRIVE PACKAGE DATA—RHGM- SERIES



ITEM		MODEL NO. RHGM-	
		090	120
Nominal Size tons [kW]		7.5 [26]	10 [35]
Nominal CFM [L/s] @ Rated E.S.P., in. [kPa] of water		3000 @ .25 [1416 @ .062]	3000 @ .25 [1416 @ .062] 4000 @ .30 [1888 @ .075]
MOTOR	Standard— 3450 RPM [W] 1 Ø 1725 RPM [W] 3 Ø	1 HP [766] 1 HP [766]	2 HP [1491] 1½ HP [1119]
	Optional— 1725 RPM [W] 3 Ø	1½ HP [1119]	2 HP, 3 HP [1491, 2237]
Blower Size—diameter & width, in. [mm]		12 x 12 [305 x 305]	12 x 12 [305 x 305]
Blower Shaft Size (diameter) in. [mm]		¾ [19]	¾ [19]
Motor Sheave Size 3450 RPM 1 Ø Adjustment (std.) in. [mm] 1725 RPM 3		1.9-2.9 [48-74] 3.4-4.4 [86-112]	2.4-3.2 [61-81] 4.0-5.0 [102-127]
Coil Face Area, sq. feet [m²]		10.2 [.95]	10.2 [.95]
Coil Tube Diameter in. [mm]		¾ [10]	¾ [10]
Coil, Rows Deep—Fins Per Inch [mm]		4/15 [.59]	4/15 [.59]
Refrigerant Control—Thermal Expansion Valves (Quantity)		BBIZE-5-GA (2)	CBBIZE-6-GA (2)
Filter Size, in. [mm] (Number Required) Disposable*		16 x 25 x 1 (4) [406 x 635 x 25]	16 x 25 x 1 (4) [406 x 635 x 25]
<b>CABINET:</b>			
Finish		Powder Paint	Powder Paint
Sheet Metal		Galvanized	Galvanized
Gauge (nominal)			
Top		18	18
Sides		16	16
Bottom		18	18
Doors and Covers		20 min.	20 min.
<b>UNIT WEIGHTS:</b>			
Operating (lbs.) [kg]		365 [166]	372 [170]
Shipping (lbs.) [kg]		411 [186]	418 [190]
<b>PACKAGED DIMENSIONS:</b> (H x W x L) [mm]		31½" x 56" x 57¼" [800 x 1422 x 1454]	31½" x 56" x 57¼" [800 x 1422 x 1454]

\*Unit will accept 2" [51 mm] filters.

**NOTE:** If a factory accessory heater kit is not used, a field supplied fan contactor is required and should have a 24 volt coil with contacts rated to handle the evaporator motor FLA at desired voltage. A factory supplied 30 Amp 3 Pole or 30 Amp 2 Pole contactor may be purchased from the Parts Department.

[ ] Designates Metric Conversions



# AIRFLOW PERFORMANCE—RHGM- SERIES



## COMPONENT AIR RESISTANCE

### RHGM 7.5 TON [26 kW] & 10 TON [35 kW]

CFM [L/s]	1800 [850]	2200 [1038]	2600 [1227]	3000 [1416]	3400 [1605]	3800 [1793]	4200 [1982]	4600 [2171]	5000 [2360]
Electric Heater 20KW, 30KW	.060 [.015]	.100 [.025]	.140 [.034]	.160 [.040]	.230 [.057]	.320 [.080]	.410 [.102]	.500 [.124]	.600 [.150]
Mixing Box (R/A Damper Open)	.006 [.001]	.008 [.002]	.012 [.003]	.024 [.006]	.038 [.009]	.053 [.013]	.068 [.017]	.080 [.020]	.095 [.024]
Discharge Grille (Set Max. Open)	.008 [.002]	.011 [.003]	.015 [.004]	.020 [.005]	.025 [.006]	.031 [.008]	.039 [.010]	.046 [.012]	.055 [.014]
Inlet Grille	.008 [.002]	.010 [.002]	.014 [.003]	.020 [.005]	.026 [.006]	.032 [.008]	.039 [.010]	.049 [.012]	.058 [.014]
Discharge Plenum	.02 [.005]	.04 [.010]	.05 [.012]	.065 [.016]	.085 [.021]	.100 [.025]	.120 [.030]	.150 [.037]	.180 [.045]

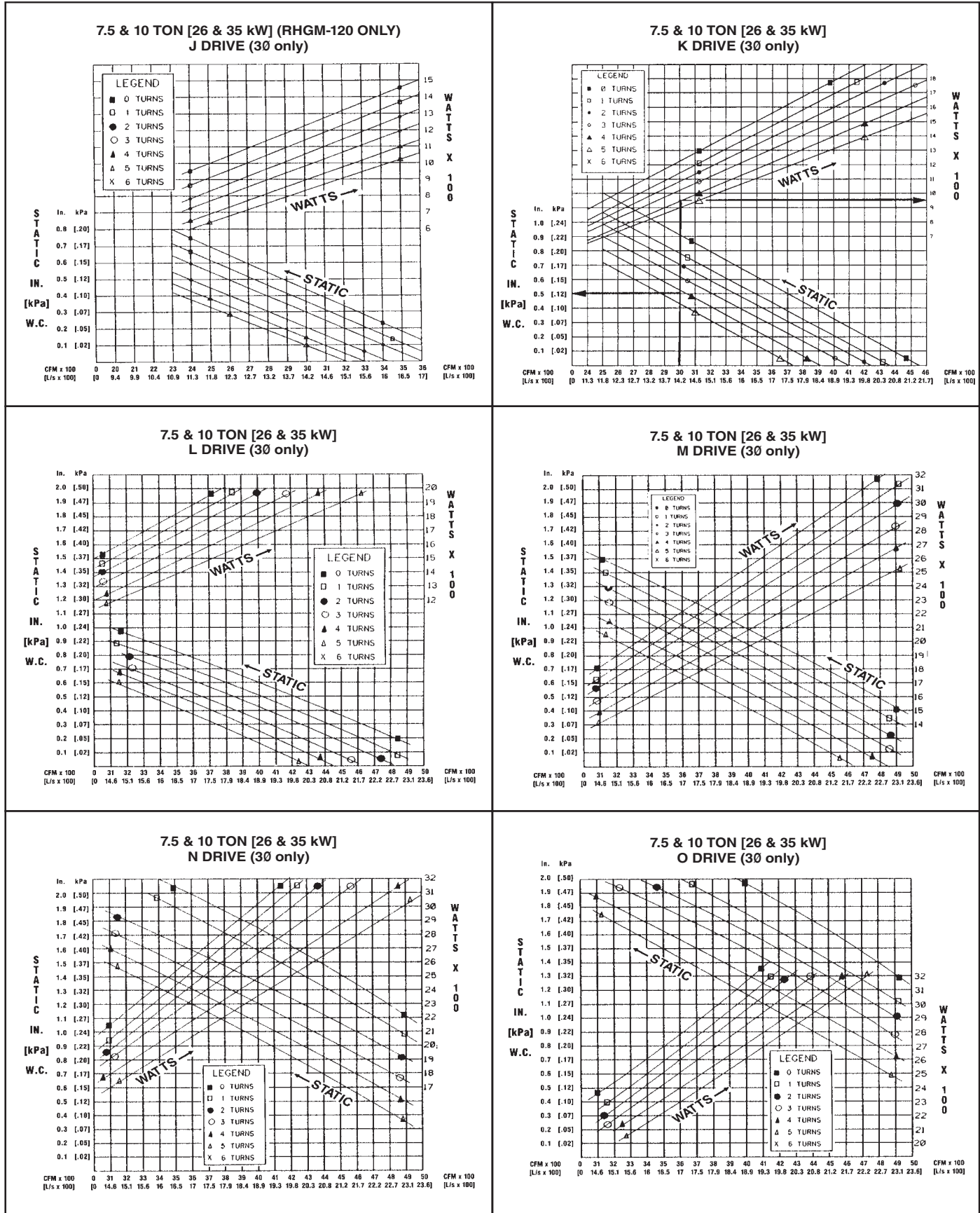
**NOTE:** Add component resistance to duct resistance to determine total E.S.P.

[ ] Designates Metric Conversions



# AIRFLOW PERFORMANCE—RHGM- SERIES

## BLOWER PERFORMANCE CURVES—7.5 & 10 TON [26 & 35 kW] (WET COIL)



[ ] Designates Metric Conversions

# PERFORMANCE DATA—RHGM- SERIES



## EVAPORATOR PERFORMANCE DATA (GROSS CAPACITY)

EVAPORATOR/AIR HANDLER RHGM-090 @ 3000 CFM [1416 L/s] 105°F (40.8°C) LIQUID TEMPERATURE AT TXV													
AIRFLOW	EVAP. TEMP	75/63°F				80/67°F				55/71°F			
		TC	SC	LDB °F	LWB °F	TC	SC	LDB °F	LWB °F	TC	SC	LDB °F	LWB °F
3000	40	101,593	73,674	52.9	51.0	127,358	84,666	63.8	51.9	153,992	94,880	54.9	53.1
	45	80,928	62,952	57.3	54.8	103,594	73,170	58.8	56.3	130,995	83,959	59.4	57.3
	50	59,031	52,456	61.6	66.7	80,997	82,400	63.0	50.2	105,321	72,678	64.1	61.6

EVAPORATOR/AIR HANDLER RHGM-120 @ 3800 CFM [1793 L/s] 105°F (40.6°C) LIQUID TEMPERATURE AT TXV													
AIRFLOW	EVAP. TEMP	75/63°F				80/67°F				85/71°F			
		TC	SC	LDB °F	LWB °F	TC	SC	LDB °F	LWB °F	TC	SC	LDB °F	LWB °F
3800	40	154,071	108,420	49.6	48.2	190,237	123,295	50.5	48.1	189,959	10,8803	60.4	58.6
	45	121,745	92,384	54.1	52.3	157,209	107,660	66.0	53.4	196,257	122,470	55.9	54.3
	50	88,849	77,108	58.5	56.3	122,773	91,908	59.5	57.5	159,969	108,803	60.4	56.6

**NOTES:** 1. Total and sensible capacity is gross with no deduction for indoor blower motor heat. 2. Interpolation is permissible. Do not extrapolate.  
 3. Capacities are based on 105°F (40.6°C) liquid temperature at the TXV or about 95°F (35°C) dry bulb outdoor ambient.  
 TC = Total Capacity, BTUH      LDB = Leaving Air Dry Bulb  
 SC = Sensible Capacity, BTUH      LWB = Leaving Air Wet Bulb

## AIRFLOW CORRECTION FACTORS

RHGM-090 @ 3000 CFM [1416 L/s]							
ACTUAL—CFM [L/s]	2400 [1133]	2600 [1227]	2800 [1321]	3000 [1416]	3200 [1510]	3400 [1605]	3600 [1699]
TOTAL MBH	0.85	0.90	0.95	1.00	1.04	1.09	1.13
SENSIBLE MBH	0.83	0.88	0.94	1.00	1.06	1.11	1.16

**NOTES:** 1. Multiply correction factor times gross performance data.  
 2. Resulting sensible capacity cannot exceed total capacity.

RHGM-120 @ 3800 CFM [1793 L/s]													
ACTUAL—CFM [L/s]	2400 [1133]	2600 [1227]	2800 [1321]	3000 [1416]	3200 [1510]	3400 [1605]	3600 [1699]	3800 [1793]	4000 [1888]	4200 [1982]	4400 [2077]	4600 [2171]	4800 [2265]
TOTAL MBH	0.76	0.79	0.82	0.85	0.89	0.93	0.97	1.00	1.03	1.06	1.10	1.12	1.15
SENSIBLE MBH	0.68	0.73	0.78	0.82	0.87	0.91	0.96	1.00	1.04	1.08	1.13	1.17	1.21

**NOTES:** 1. Multiply correction factor times gross performance data.  
 2. Resulting sensible capacity cannot exceed total capacity.

[ ] Designates Metric Conversions



# PERFORMANCE DATA/ELECTRIC HEATER KITS—RHGM- SERIES

## ELECTRIC HEATER KIT CHARACTERISTICS

AIR HANDLER MODEL	HEATER KIT MODEL	HEATER KIT VOLTAGE	HEATER KIT [kW]	HEATER KIT AMPS	HEATING CAPACITY [kW]	HEATING CAPACITY MBH	MINIMUM CIRCUIT AMPACITY	MAX. FUSE OR HACR BREAKER SIZE
RHGM-090 / RHGM-120	RXHE-DE020CA	208/240	20	43.1/48.9	15.6/20.2	53.2/68.9	67/73	70/80
RHGM-090 / RHGM-120	RXHE-DE030CA	208/240	30	60.8/70.2	22.0/29.6	75.1/101	89/100	90/100
RHGM-090 / RHGM-120	RXHE-DE020DA	480	20	24.7	20.2	68.9	37	40
RHGM-090 / RHGM-120	RXHE-DE030DA	480	30	35	29.7	101.3	50	50

**NOTE:** All kits have two stages of capacity, first stage heating is 50% of total capacity.

## ELECTRICAL DATA TABLE

AIR HANDLER MOTOR			RATING PLATE AMPS	MOTOR LRA	MINIMUM CIRCUIT AMPACITY	RECOMMENDED MINIMUM Cu WIRE SIZE (3% VOLTAGE 75°C DROP) MAX. RUN IN FEET	MAX. FUSES BREAKERS
HP [W]	VOLTS	PHASE					
1 [746]	208-230	3Ø	4.0/3.6	23.9/21.6	15	#14/240	15
1 [746]	460	3Ø	1.8	10.8	15	#14/400	15
1 [746]	115-230	1Ø	16/8	96/48	20/15	#12/120 #14/180	20/15
1½ [1119]	208-230	3Ø	5.7/5.2	34.5/31.2	15	#14/230	15
1½ [1119]	460	3Ø	2.6	15.6	15	#14/300	15
2 [1491]	208-230	3Ø	7.5/6.8	45.1/40.8	15	#14/165	15
2 [1491]	460	3Ø	3.4	20.4	15	#14/275	15
2 [1491]	115-230	1Ø	24/12	144/72	30/15	#10/140 #14/120	30/15
3 [2237]	208-230	3Ø	10.6/9.6	64.1/58	15	#14/135	15
3 [2237]	460	3Ø	4.8	26.8	15	#14/230	15

**NOTE:** N.E.C., C.E.C. and local codes take precedence over suggested wire and fuse sizes.

[ ] Designates Metric Conversions



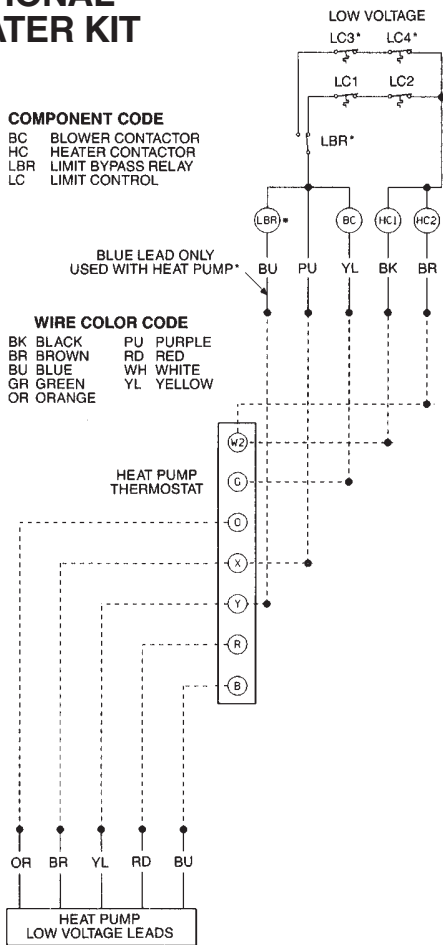
## OPTIONAL HEATER KIT

### COMPONENT CODE

BC BLOWER CONTACTOR  
 HC HEATER CONTACTOR  
 LBR LIMIT BYPASS RELAY  
 LC LIMIT CONTROL

### WIRE COLOR CODE

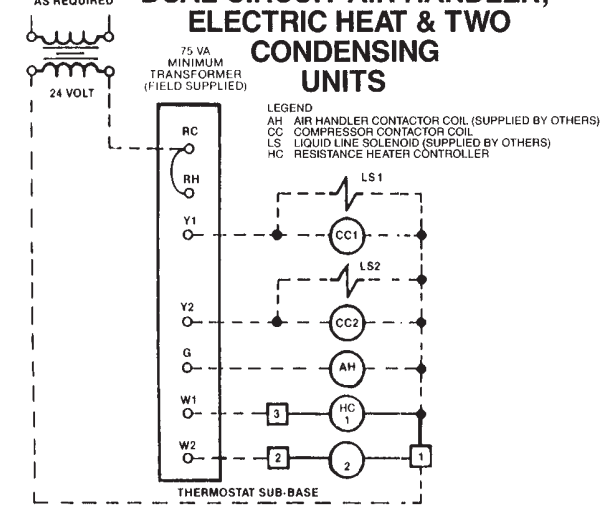
BK BLACK PU PURPLE  
 BR BROWN RD RED  
 BU BLUE WH WHITE  
 GR GREEN YL YELLOW  
 OR ORANGE



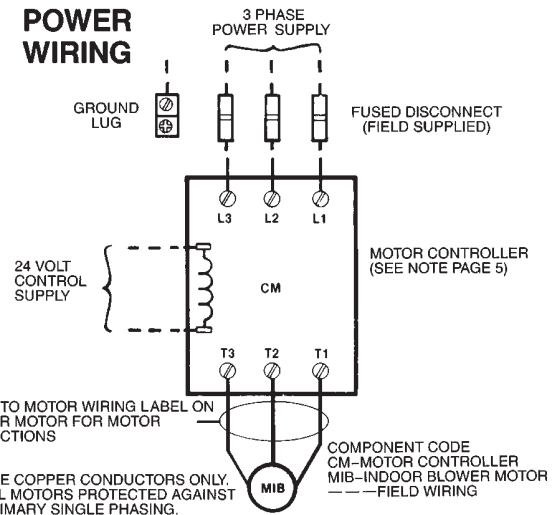
\*LBR, LC3 AND LC4 NOT  
 REQUIRED ON 208/240 V  
 KITS RATED 20KW & 30KW  
 OR KITS INSTALLED ON  
 15 TON OR 20 TON AIR HANDLERS

## TYPICAL WIRING CONNECTIONS WITH DUAL CIRCUIT AIR HANDLER, ELECTRIC HEAT & TWO CONDENSING UNITS

120-208-230-460 VOLT  
 AS REQUIRED



## POWER WIRING





**AIR HANDLER ACCESSORIES**

ACCESSORY DESCRIPTION	MODEL NUMBER	SIZES USED ON	NET WEIGHT (LBS) [kg]
Hot Water Coil	RXHC-C74W	090, 120	200 [91]
Steam Coil	RXHC-C74S	090, 120	200 [91]
Filter Frame Kit	RXHF-B74A	090, 120	90 [41]
Inlet Grille Kit	RXHG-C74A	090, 120	9 [4]
Discharge Grille Kit	RXHG-C74B	090, 120	15 [7]
Discharge Plenum Kit	RXHL-C74B	090, 120	38 [17]
Mixing Box	RXHM-BC74H	090, 120	120 [54]
Auxiliary Heater Kit	RXHE-DE020*A	090, 120	75 [34]
	RXHE-DE030*A	090, 120	75 [34]

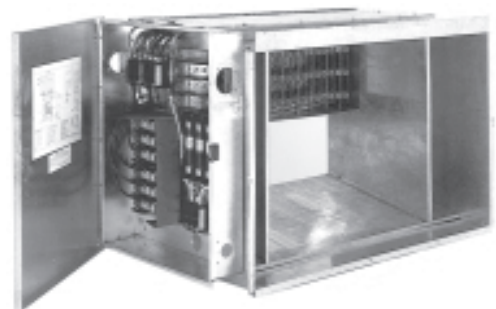
**NOTE:** \*Designates "C", "D" or "Y" Voltage

[ ] Designates Metric Conversions

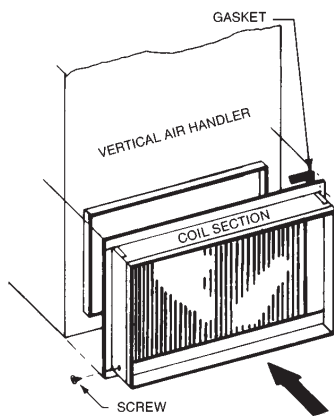
**RXHM MIXING BOX**



**RXHE ELECTRIC HEATER KIT**

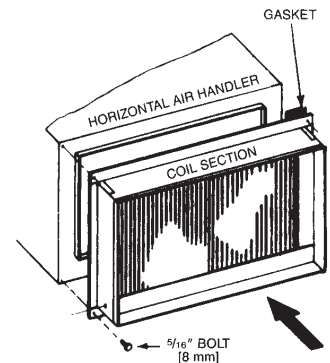


**HOT WATER OR STEAM COILS**



(090, 120) **RXHC-C74W**  
**RXHC-C74S**

(090, 120) **RXHC-C74W**  
**RXHC-C74**





## AIR HANDLER ACCESSORIES (con't)

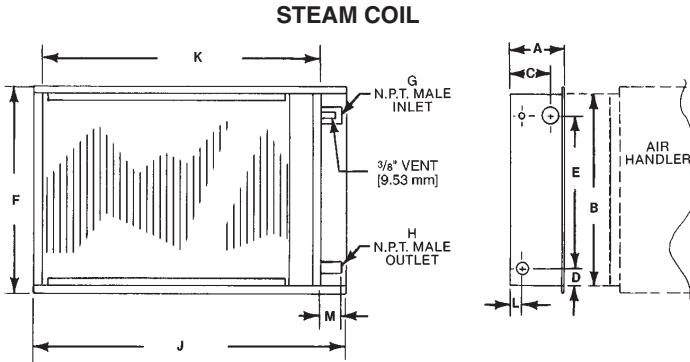
### PHYSICAL SPECIFICATIONS

NOMINAL TONS [kW]	FINNED HEIGHT—IN. [mm]	FINNED LENGTH—IN. [mm]	FACE AREA FT <sup>2</sup> [m <sup>2</sup> ]	CIRCUITS & TUBES HIGH
7 1/2 [26.38]-10 [35.17]	18 [457]	40 [1016]	5.0 [.46]	12

### GROSS COIL PERFORMANCE

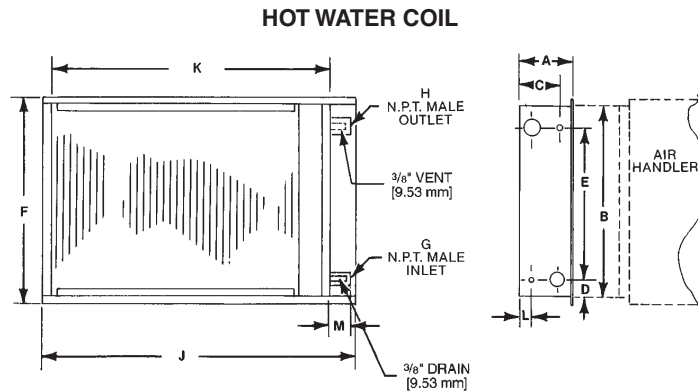
NOMINAL TONS [kW]	NOMINAL BTUH		NOMINAL CFM [ L/s]	VELOCITY FPM
	STEAM	WATER		
7 1/2 [26.38]	242,500	185,000	3,000 [1416]	600
10 [35.17]	285,000	240,000	4,000 [1888]	800

1. Entering air temperature @ 60°F
2. Entering steam @ 5 PSIG
3. Entering water @ 200°F
4. Face velocity =  $\frac{\text{CFM}}{\text{Face Area}}$



### STEAM COIL COIL DIMENSIONS—INCHES [mm]

MODEL	NOMINAL TONS [kW]	A	B	C	D	E	F	G	H	J	K	L	M
RXHC-C74	7 1/2 [26.38]- 10 [35.17]	9 1/16 [230]	2 13/8 [543]	5 3/8 [137]	3 3/16 [81]	15 [381]	24 [610]	1 1/2 [38]	1 1/4 [32]	5 1 1/2 [1308]	4 7 5/8 [1210]	2 13/16 [71]	3 1/4 [83]



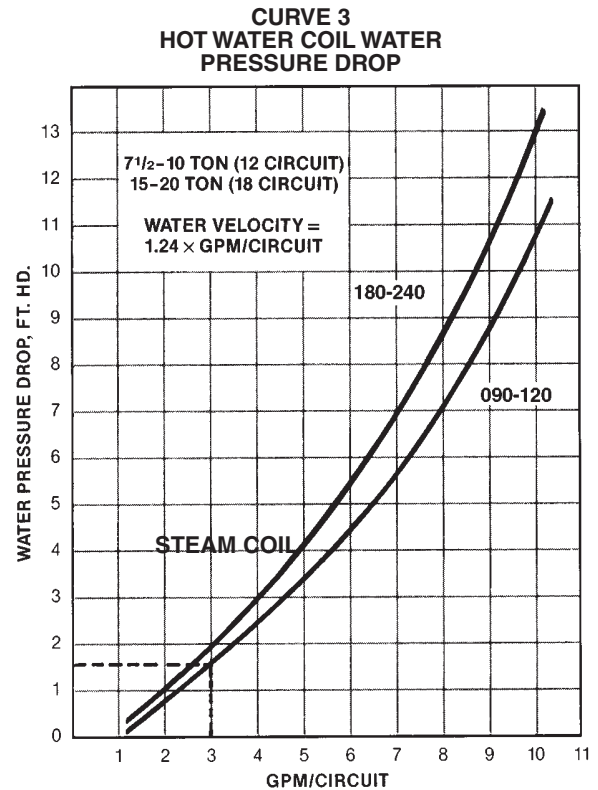
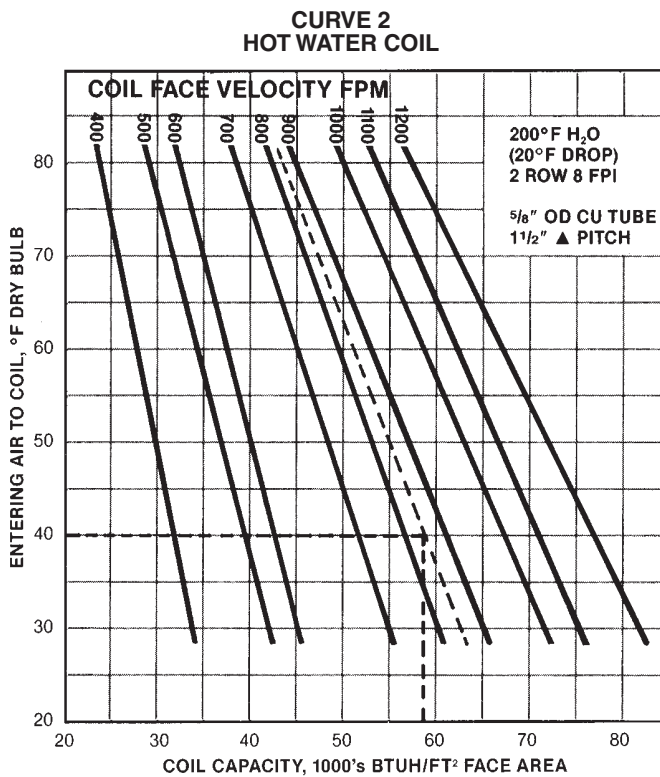
### HOT WATER COIL DIMENSIONS—INCHES [mm]

MODEL	NOMINAL TONS [kW]	A	B	C	D	E	F	G	H	J	K	L	M
RXHC-C74W	7 1/2 [26.38]- 10 [35.17]	9 1/16 [230]	2 13/8 [543]	5 3/8 [137]	3 3/16 [81]	15 [381]	24 [610]	1 1/4 [32]	1 1/4 [32]	5 1 1/2 [1308]	4 7 5/8 [1210]	2 13/16 [71]	3 [76]

[ ] Designates Metric Conversions



**AIR HANDLER ACCESSORIES (con't)  
HOT WATER COILS**



**TABLE IV**

Curve 2 ratings are based on 200°F entering water and 20°F temperature drop. For other conditions use the following correction factors:

ENTERING WATER °F	FACTOR	WATER TEMPERATURE DROP °F	FACTOR
220	1.14	10	1.030
210	1.07	15	1.015
200	1.00	20	1.000
190	.98	25	.985
180	.93	30	.970

**BASIC FORMULA:**

$$\text{Air Temperature Rise, } ^\circ\text{F} = \frac{\text{BTUH}}{1.08 \times \text{CFM}}$$

$$\text{Water Temperature Drop, } ^\circ\text{F} = \frac{\text{BTUH}}{500 \times \text{GPM}}$$

**HOT WATER COIL SELECTION:**

**Specified:**

Entering Air Temp. @ 40°F  
5000 CFM @ 6000 Ft. Elevation  
220°F Entering Water Temp. @ 36 GPM

**Select 10 Ton Nominal Coil:**

Face Area = 5 Ft<sup>2</sup>  
Circuits = 12

**Determine Coil Performance:**

From Table I, Altitude and Temperature Correction Factor = 1.19 Std. CFM = 5000/1.19 = 4202  
Face Velocity = 4202/5 = 840 FPM  
From Curve 2, BTUH/Ft<sup>2</sup> = 57,500  
Coil Capacity = 5 x 58,000 = 287,500 BTUH  
Water Temp. Drop = 290,000/(500 x 36) = 16.1°F  
From Table IV, Water Temp. Factor = 1.14  
From Table IV, Water Temp. Drop Factor = 1.012  
Total Capacity = 287,500 x 1.14 x 1.015 = 334,570 BTUH  
From Curve 3, Water Pressure Drop 36 GPM/12 Circuits = 3 GPM/Circuit = 1.6 FT. HD.  
From Table II, Air Side Pressure Drop = .38" H<sub>2</sub>O



## AIR HANDLER ACCESSORIES (con't) STEAM COILS AIRFLOW

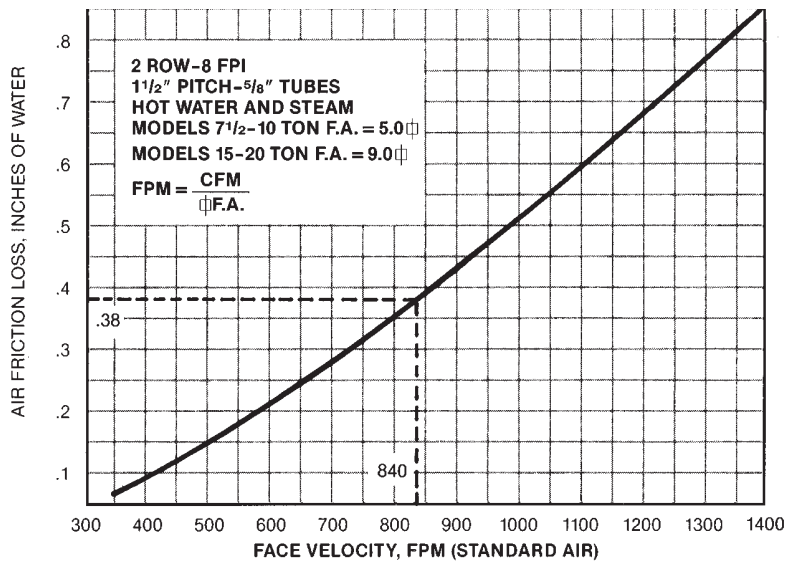
**TABLE I  
ALTITUDE AND TEMPERATURE CORRECTION FACTOR TABLE**

AIR TEMP. (F)	ALTITUDE IN FEET ABOVE SEA LEVEL															
	0	500	1000	1500	2000	2500	3000	3500	4000	4500	5000	6000	7000	8000	9000	10,000
0	.87	.89	.91	.92	.94	.96	.98	.99	1.01	1.03	1.05	1.09	1.13	1.17	1.22	1.26
40	.94	.96	.98	1.00	1.02	1.04	1.06	1.08	1.10	1.12	1.14	1.19	1.23	1.28	1.32	1.36
70	1.00	1.02	1.04	1.06	1.08	1.10	1.12	1.14	1.19	1.18	1.20	1.25	1.30	1.35	1.40	1.45
100	1.06	1.08	1.10	1.12	1.14	1.16	1.19	1.21	1.23	1.25	1.28	1.33	1.38	1.43	1.48	1.54
120	1.09	1.12	1.14	1.16	1.18	1.20	1.23	1.25	1.28	1.30	1.32	1.38	1.43	1.48	1.53	1.58

**EXAMPLE:** Determine Equivalent "Standard Air" for use in System Performance Calculations:

$$\text{Standard Air} = \frac{\text{Specified CFM}}{\text{Correction Factor}}$$

**TABLE II  
AIR FRICTION LOSS**

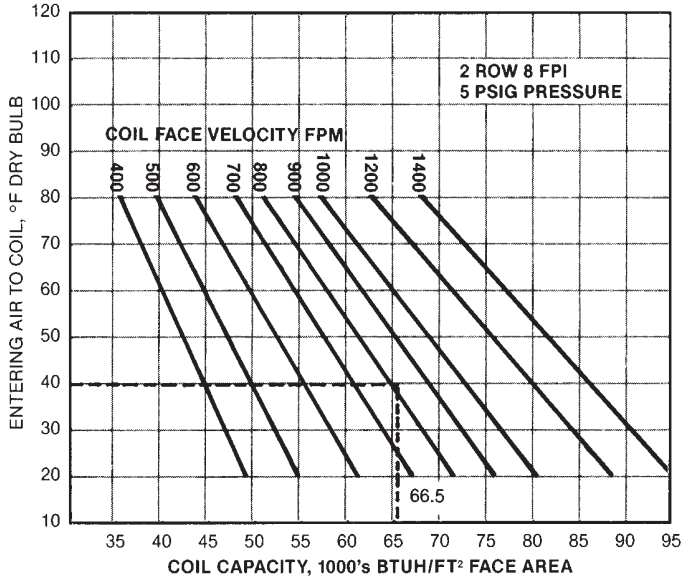




**AIR HANDLER ACCESSORIES (con't)**

**STEAM COILS**

**CURVE 1  
STEAM COIL CAPACITY**



**TEMPERATURE OF STEAM AT VARIOUS PRESSURES**

Approximate Gauge Pressure (lbs.)	2	5	10	15	20	30
Temperature °F	218	227	240	250	259	275

**TABLE III**

Steam Coil Capacity, factors are based on 5 PSIG Steam Pressure. For other conditions use the adjacent correction factors.

STEAM PR., PSIG	FACTOR
2	.96
5	1.00
10	1.06
15	1.11
20	1.16
30	1.24

**BASIC FORMULA:**

$$\text{Air Temperature Rise, } ^\circ\text{F} = \frac{\text{BTUH}}{1.08 \times \text{CFM}}$$

**STEAM COIL SELECTION:**

**Specified:**

Steam @ 30 PSIG  
Entering Air Temp. @ 40°F Dry Bulb  
5000 CFM @ 6000 Ft. Elevation

**Select 10 Ton Nominal Coil:**

Face Area = 5 Ft<sup>2</sup>  
Circuits = 12

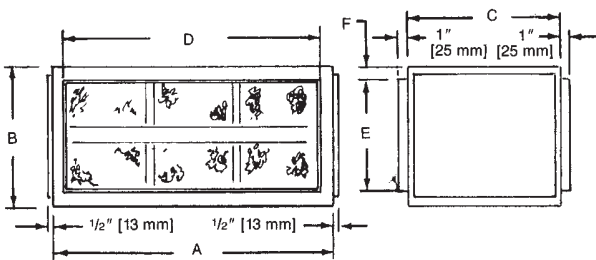
**Determine Coil Performance:**

From Table I (page 21), Altitude and Temperature Correction Factor = 1.19  
Std. CFM = 5000/1.19 = 4202  
Face Velocity = 4202/5 = 840 FPM  
From Curve 1, BTUH/Ft = 66,500  
Coil Capacity = 5 x 65,000 = 325,000 BTUH  
From Table III, Steam Correction Factor = 1.24  
Total Coil Capacity = 1.24 x 325,000 = 412,300 BTUH  
Air Temp. Rise = 403,000/(1.08 x 4202) = 90.85°F  
From Table II, Air Side Pressure Drop = .38" H<sub>2</sub>O

**FILTER RACK**

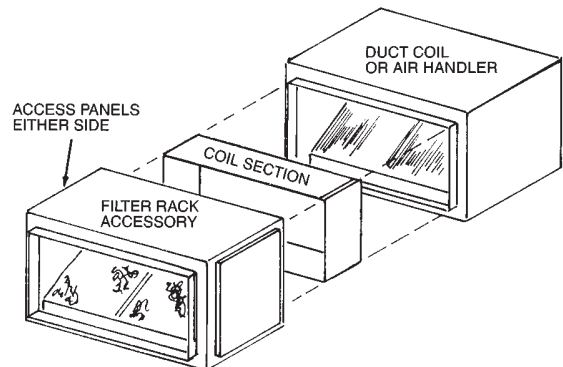
The filter rack accessory can be connected directly to the hot water/steam coil accessory. The filter rack accessory is ONLY needed when hot water steam coils are used.

MODEL NO.	AIR HANDLER SIZES USE ON	IN. [mm]					
		A	B	C	D	E	F
RXHF-B74A	090, 120	51 <sup>1</sup> / <sub>2</sub> [1308]	24 [610]	25 <sup>1</sup> / <sub>8</sub> [638]	47 <sup>3</sup> / <sub>8</sub> [1203]	19 <sup>7</sup> / <sub>8</sub> [505]	21 <sup>1</sup> / <sub>16</sub> [52]



**FILTER PRESSURE DROP:**

MODEL NO.	CFM [L/s] x 1000 [472]								
	2	3	4	5	6	7	8	9	10
RXHF-B74A	.01 [2]	.02 [4]	.03 [7]	.07 [16]	.10 [22]	.15 [33]	—	—	—



MODEL NO.	FILTER SIZE (QTY.) TYPE
RXHF-B74A	16x20x1 (4) Disposable 20x20x1 (2) Disposable

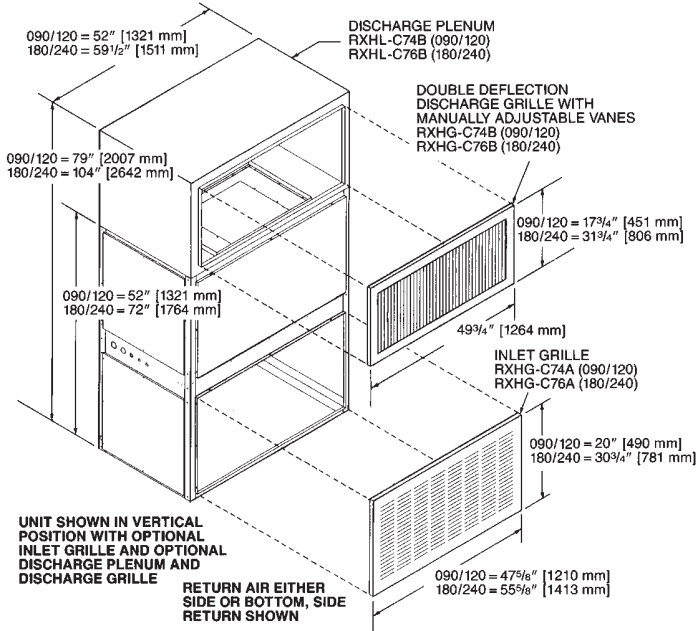
[ ] Designates Metric Conversions



## AIR HANDLER ACCESSORIES (con't)

### UNIT WITH ACCESSORIES

7.5 THROUGH 10 NOMINAL TONS [26 THROUGH 35 kW]



### DOUBLE DEFLECTION DISCHARGE GRILLE

MODEL NO.	AIR HANDLER SIZES USED ON	NOMINAL CFM [L/s]	FT. [m] OF THROW
RXHG-C74B	090	3000 [1416]	0° DEFLECTION - 43' [13.1] 22° DEFLECTION - 37' [11.3] 45° DEFLECTION - 22' [6.7]
	120	4000 [1888]	0° DEFLECTION - 53' [16.2] 22° DEFLECTION - 46' [14] 45° DEFLECTION - 27' [8.2]

## TYPICAL APPLICATION

7.5 & 10 NOMINAL TONS  
[26 & 35 kW]

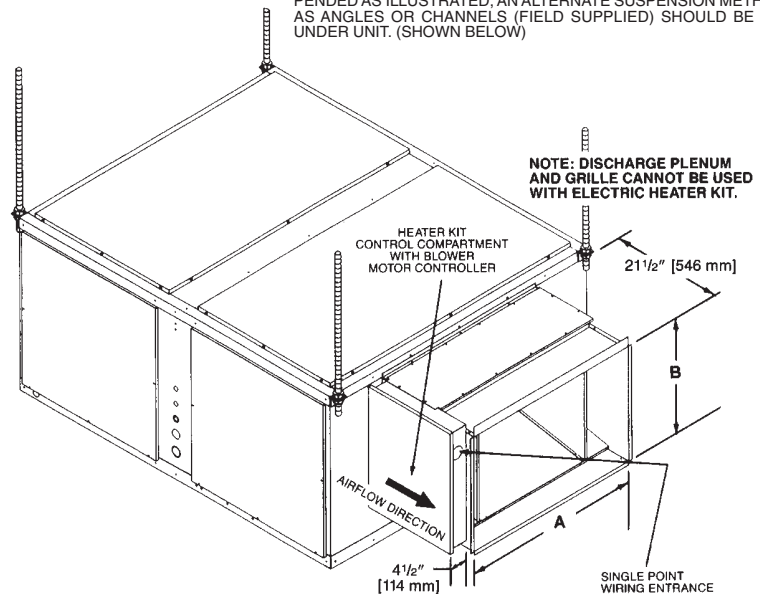
OPTIONAL ELECTRICAL HEATER KIT SHOWN INSTALLED IN HORIZONTAL POSITION AND CONNECTED DIRECTLY TO THE AIR HANDLER. THE HEATER KIT MAY ALSO BE INSTALLED WITH THE AIR HANDLER SET IN THE VERTICAL POSITION. IN EITHER POSITION THE HEATER KIT CONTROL COMPARTMENT MUST BE ON THE LEFT SIDE FACING THE AIR DISCHARGE OPENING.

FOUR HEAVY GAUGE ANGLES ARE FURNISHED (SHIPPED LOOSE) FOR SUSPENDING UNITS FROM ALL FOUR CORNERS, MINIMUM OF 1/2" [13] SUPPORT RODS ARE RECOMMENDED. IF ALL-THREAD IS USED, IT IS ALSO RECOMMENDED THAT TWO NUTS AND TWO LOCKWASHERS BE TIGHTENED SECURELY AGAINST THE SUSPENSION ANGLES.

WHEN HOT WATER OR STEAM COIL, MIXING BOX OR DISCHARGE AIR PLENUM ACCESSORIES ARE REQUIRED, UNITS CANNOT BE SUSPENDED AS ILLUSTRATED, AN ALTERNATE SUSPENSION METHOD SUCH AS ANGLES OR CHANNELS (FIELD SUPPLIED) SHOULD BE LOCATED UNDER UNIT. (SHOWN BELOW)

MODEL NO.	AIR HANDLERS SIZES USED ON	IN. [mm]	
		A	B
RXHE-DE****A	090, 120	20 [508]	20 [508]

THE BOTTOM OF THE AIR HANDLER SHOULD BE SLOPED IN TWO PLANES THAT PITCH THE CONDENSATE TO THE DRAIN CONNECTION. THE DRAIN PAN SHOULD NOT LEAVE PUDDLES LARGER THAN 2 INCHES IN DIAMETER AND 1/8 INCH DEEP FOR MORE THAN 3 MINUTES.



[ ] Designates Metric Conversions



**MIXING BOX ACCESSORY—OPERATING SEQUENCE**

**COOLING SEASON**—Thermostat set at “Cool” and “Fan Auto,” outside air damper goes to “minimum fresh air” position when cooling thermostat closes, energizing mechanical cooling. When cooling thermostat is satisfied, mechanical cooling is de-energized, and outside air damper closes.

**INTERMEDIATE SEASON**—Same as for cooling season, except that cooling thermostat closes, starting indoor blower motor, the enthalpy control, mounted on outside air, determines if “free” cooling or mechanical cooling should be utilized. If outside air conditions are suitable for cooling, the mechanical cooling remains off and the mixed air controller modulates the damper motor to assume the proper damper position to maintain mixed air setting. If outside conditions

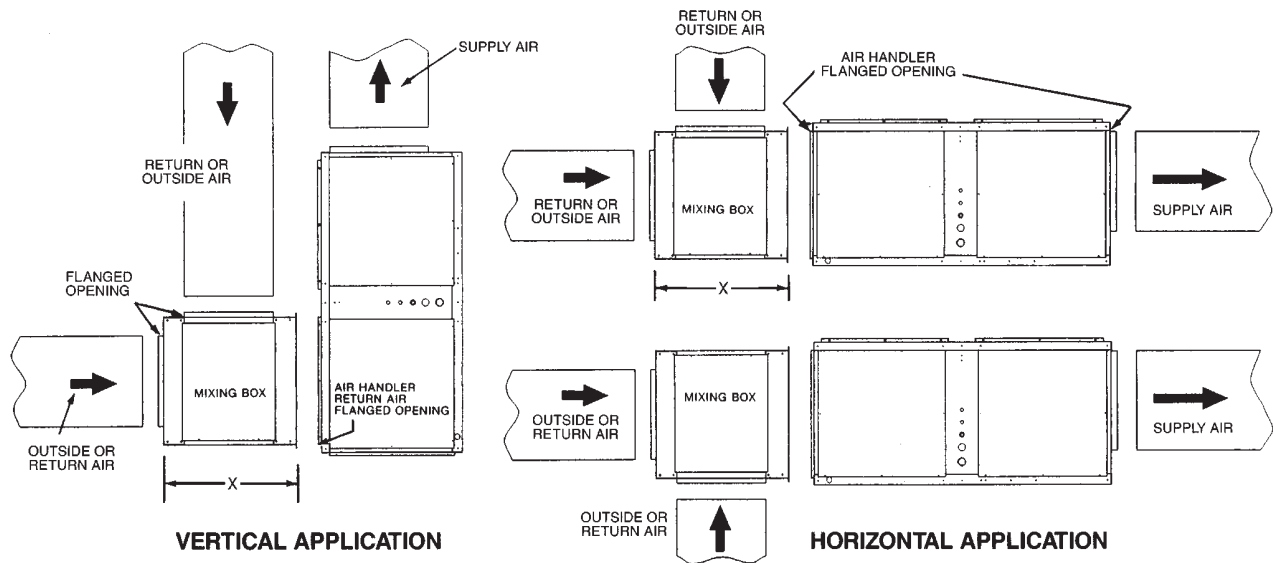
are not suitable for cooling, then the dampers go to “minimum fresh air” position and mechanical cooling is energized.

**HEATING SEASON**—Damper always stays at “minimum fresh air” position while fan motor is operating. Outside air damper closes when blower motor is off. “Minimum fresh air” position must not allow mixed air temperatures to air handler below 50°F. [10°C] during heating seasons.

**CAUTION: IT IS NOT RECOMMENDED THAT HOT WATER OR STEAM COILS BE USED WITH THE MIXING BOX ACCESSORY WITHOUT A SUITABLE FREEZE-STAT TO PREVENT THE POSSIBILITY OF FREEZING THE COIL.**

**MIXING BOX**

MODEL NO.	AIR HANDLER SIZES USED ON	FLANGED DUCT OPENINGS		IN. [mm]
		LENGTH IN. [mm]	WIDTH IN. [mm]	“X”
RXHM-BC74H	090, 120	42 [1067]	16 <sup>7</sup> / <sub>8</sub> [454]	27 [686]

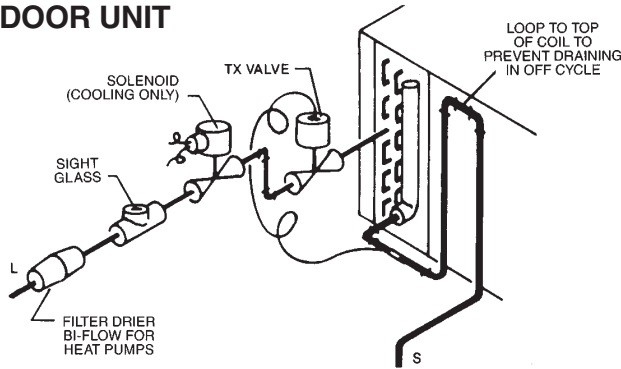


[ ] Designates Metric Conversions

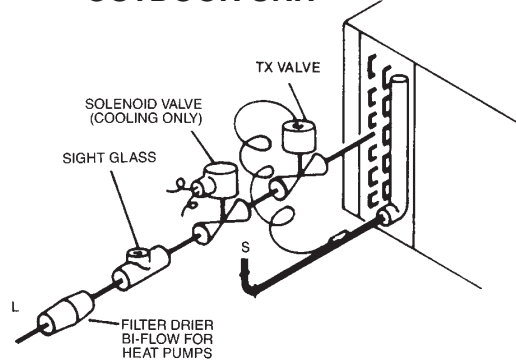


## TYPICAL PIPING RECOMMENDATIONS

### INDOOR COIL ABOVE OUTDOOR UNIT



### INDOOR COIL BELOW OUTDOOR UNIT



NOTE: PIPING ACCESSORIES SHOWN SHOULD BE MOUNTED AS CLOSE TO AIR HANDLING UNIT AS POSSIBLE.

The 7.5 [26 kW] and 10 [35 kW] Air Handlers are designed as two (2) circuit, full face equal distribution coils. As shipped from the factory, the suction and liquid lines are dual circuits. Copper fittings are supplied in the unit to field manifold the suction and liquid lines for single circuit.

**NOTE:** The expansion valve bulbs must be secured to the corresponding suction lines. The circuits are marked accordingly. See illustration under Typical Piping recommendations for additional information.

## REFRIGERANT PIPING (See Tables at Right)

The following will be of help in accomplishing a successful installation.

1. Size liquid line for no more than 50 PSIG [345 kPa] pressure drop.
2. Size suction lines for no more than 2°F [1.1°C] loss which corresponds to approximately 5 PSIG [34 kPa] pressure drop.
3. When indoor unit is installed below outdoor unit, do not exceed the recommended vapor line O.D. This will insure adequate velocities for proper oil return.
4. Install strainer-drier and sight glass in liquid line.
5. Pitch all horizontal suction lines downward in the direction of flow for cooling only applications.
6. Locate the outdoor unit and indoor unit as close together as possible to minimize piping runs.
7. A liquid line solenoid installed just ahead of the expansion valve is recommended for cooling only applications. Be sure condensing unit is suitable for pump down.
8. Piping runs between condenser and evaporator not to exceed 150' [46 m] linear length (90' [27 m] linear length for heat pumps).

**NOTE:** Refer to suction and liquid line pressure drop charts found in condensing unit and remote heat pump literature.

[ ] Designates Metric Conversions

## CONDENSATE DRAIN PIPING

- Consult local codes or ordinances for specific requirements regarding condensate drain.
- Condensate drain is open to atmosphere and must be trapped. Trap must be at least 3 inches [76 mm] deep and made of flexible material or fabricated to prevent freeze-up.
- Pitch the drain line at least 1/4 inch [6 mm] per foot away from the drain pan.
- Do not reduce the drain line size from the connection size provided on the unit.
- Do not connect the drain line to a closed sewer line.

PIPING SIZES 090 & 120

LINEAR LENGTH, FT. [m]	LIQUID LINE O.D., IN. [mm]		SUCTION LINE O.D., IN. [mm]	
	090	120	090	120
0-50 [0-15]	1/2 [13]	5/8 [16]	1 1/8 [29]	1 3/8 [35]
51-100* [16-30]	1/2 [13]	5/8 [16]	1 3/8 [35]	1 5/8 [41]
101-150 [31-46]	1/2 [13]	5/8 [16]	1 3/8 [35]	1 5/8 [41]

\*For cooling only, refer to remote heat pump literature for piping recommendations.

EQUIVALENT LENGTH, FT. [m] OF STRAIGHT TYPE "L" TUBING FOR NON-FERROUS VALVES AND FITTINGS (BRAZED)

TUBE SIZE INCHES [mm] O.D.	SOLENOID VALVE	ANGLE VALVE	SHORT RADIUS ELL	LONG RADIUS ELL	TEE LINE FLOW	TEE BRANCH FLOW
1/2 [13]	70 [21.3]	8.3 [2.5]	1.6 [0.5]	1.0 [0.3]	1.0 [0.3]	3.1 [0.9]
5/8 [16]	72 [21.9]	10.4 [3.2]	1.9 [0.8]	1.2 [0.4]	1.2 [0.4]	3.6 [1.1]
3/4 [19]	75 [22.9]	12.5 [3.8]	2.1 [0.7]	1.4 [0.4]	1.4 [0.4]	4.2 [1.3]
7/8 [22]	78 [23.8]	14.8 [4.4]	2.4 [0.7]	1.6 [0.5]	1.6 [0.5]	4.8 [1.5]
1 1/8 [29]		18.8 [5.7]	3.0 [0.9]	2.0 [0.6]	2.0 [0.6]	6.0 [1.8]
1 3/8 [35]		22.9 [7.0]	3.6 [1.1]	2.4 [0.7]	2.4 [0.7]	7.2 [2.2]
1 5/8 [41]		27.1 [8.3]	4.2 [1.3]	2.8 [0.8]	2.8 [0.8]	8.4 [2.6]
2 1/8 [54]		35.4 [10.8]	5.3 [1.6]	3.5 [1.1]	3.5 [1.1]	10.7 [3.3]



## OPERATING SEQUENCE

**NOTE:** Please refer to specification sheets covering RAWL- condensing units for operating sequence.

## GUIDE SPECIFICATIONS

Furnish and install as shown on the drawing Rheem Model \_\_\_\_\_ draw through air handler suitable for both horizontal and vertical applications. The entire assembly shall be UL and cUL listed with the cooling (and heat pump heating) capacity A.R.I. Certified.

**DRIVE PACKAGE**—A complete drive package shall be factory or field installed. Package shall consist of a 3450 RPM dual voltage, single phase open drip proof motor or a 3 phase 1750 RPM open drip proof internally protected motor, not requiring an external starter. Variable pitch motor sheave, fixed pitch fan sheave, and belt.

**COILS**—Coils shall be fabricated of  $\frac{3}{8}$ " [10 mm] O.D. seamless copper tubing expanded into aluminum fins. All coils shall be submitted to an air pressure test of up to 550 PSIG [2068 kPa] under water after fabrication and dehydrated prior to assembly in unit. Units shall be shipped with a nitrogen holding charge. Airflow shall be draw through design providing uniform air distribution across the coil surface.

**BLOWER, BEARINGS AND SHAFT**—Fans shall be a double width, double inlet, forward curve, centrifugal type, statically and dynamically balanced, and constructed of galvanized steel. They shall be mounted on  $\frac{3}{4}$ " [19 mm] = 7.5 ton [26 kW] & 10 ton [35 kW], diameter solid shafts made of high carbon steel, centerless ground and polished, supported by resilient mounted sealed bearings.

**DRAIN PAN**—The drain pan shall be manufactured of zinc coated steel. The pan shall have internally threaded pipe size drain connections and shall be designed to accept condensate in either horizontal or vertical type applications on either side of unit.

**FILTERS**—Filter mounting hardware shall be designed to accept up to 2" [51 mm] filters for field replacement. One inch [25 mm] throw away filters shall be furnished with the unit.

**CABINET**—Cabinets shall be manufactured of galvanized steel subjected to multi-stage cleaning and finished with powder coat paint. Units shall have removable service access panels on each side and top.

**INSULATION**—Cabinets shall be insulated with  $\frac{1}{2}$ " [13 mm] by  $1\frac{1}{2}$  pound [.68 kg] density fiberglass insulation coated with neoprene and bonded to the cabinet surface with a U.L. approved adhesive. Insulation shall have fire retarding characteristics in accordance with smoke developed rating not to exceed 50 and flame spread rating of 25 per Underwriters Laboratories testing procedures.

**FACTORY TESTING**—In addition to the pre-assembly testing mentioned above, each coil shall be leak tested after assembly into the unit. While under pressure, the coil shall be leak tested using an Electronic Leak Detector.

**ELECTRIC HEATERS**—UL and cUL listed electric heater kits shall be available in a wide range of capacities. All kits shall offer two stages of capacity, blower motor controller and single point connection. Heater kits shall be available for installation directly on the supply fan discharge for either horizontal or vertical application.

**MIXING BOX**—Mixing box accessory shall be available for mixing return air with outside air before entering the air handler. The accessory shall include both return and outside air dampers and economizer controls factory mounted. Economizer controls shall include enthalpy and mixed air sensors and damper motors. Mixing box accessory shall be available for installation to the return air section of the air handler for either horizontal or vertical applications.

**DISCHARGE PLENUM AND GRILLE**—Shall be available for vertical application. Discharge grille shall provide manually adjustable double deflection discharge vanes.

**RETURN AIR GRILLES**—Shall be provided for vertical return applications.

**HOT WATER OR STEAM COILS**—Shall be available for field installation. All coils shall be tested to 300 psi. Coils shall be available for either horizontal or vertical air handler applications.

[ ] Designates Metric Conversions





**GENERAL TERMS OF LIMITED WARRANTY\***

Rheem will furnish a replacement for any part of this product which fails in normal use and services within the applicable periods stated below, in accordance with the terms of the limited warranty.

\*For Complete Details of the Limited Warranty, Including Applicable Terms and Conditions, See Your Local Installer or Contact the Manufacturer for a Copy.

Any Part .....One (1) Year

**Before proceeding with installation, refer to installation instructions packaged with each model, as well as complying with all Federal, State, Provincial, and Local codes, regulations, and practices.**

**Rheem Heating,  
Cooling and  
Water Heating**

P.O. Box 17010, Fort Smith, AR 72917



*"In keeping with its policy of continuous progress and product improvement, Rheem reserves the right to make changes without notice."*