



# AHBL

Parts List  
11-March-2013



*This parts list is current as of the above revision date.  
See <http://www.rheempartslists.net/92-42805-AHBL.pdf> for the current revision.*

**Air Handlers**

# Table of Contents

Model Explanation .....	Page 3
<b>Parts Numbers</b>	
Panels - Miscellaneous .....	Page 4
Electrical Group .....	Page 5
Blower Group (1) .....	Page 6
Blower Group (2) .....	Page 7
Electric Heat Group .....	Page 8
Coil Parts .....	Page 9
Accessories .....	Page 9
<b>Drawings/Photographs</b>	
Exploded View .....	Page 10
Door Assembly .....	Page 10
Electrical Assembly .....	Page 11
Notes/Disclaimer .....	Page 12

**MODEL NUMBER EXPLANATION**

<b>17</b>	<b>AH</b>	<b>B</b>	<b>A</b>	<b>24</b>	<b>HM</b>	<b>A</b>	<b>N</b>	<b>00</b>
1	2	3	4	5	6	7	8	9

- |   |  |
|---|--|
| <p><b>1 CABINET SIZE</b><br/>         17 = 17.5 in.                      24 = 24.5 in.<br/>         21 = 21.0 in.                      25 = 24.5 in.</p> <p><b>2 MODEL</b><br/>         AH = Air Handler</p> <p><b>3 DESIGN SERIES</b></p> <p><b>4 REFRIGERANT</b><br/>         A = R-22<br/>         L = R-410A</p> <p><b>5 CAPACITY</b><br/>         24 = 24,000 BTU/HR<br/>         36 = 36,000 BTU/HR<br/>         48 = 48,000 BTU/HR<br/>         60 = 60,000 BTU/HR</p> <p><b>6 AIRFLOW</b><br/>         HM = AC OR HP MULTI POSITION</p> | <p><b>7 ELECTRICAL DESIGNATION</b><br/>         A = 115V - 1 - 60<br/>         J = 208/230V - 1 - 60</p> <p><b>8 CONTROL DESIGNATION</b><br/>         N = No Circuit Protection<br/>         S = Circuit Breaker (Single Circuit)</p> <p><b>9 ELECTRIC HEAT (KW) DESIGNATION</b><br/>         00 = No Heat                      14 = 14.0 KW<br/>         06 = 4.9 KW                      18 = 17.5 KW<br/>         07 = 7.0 KW                      21 = 21.0 KW<br/>         11 = 10.0 KW</p> |
|---|--|

**SERIAL NUMBER EXPLANATION**

<b>T</b>	<b>M</b>	<b>07</b>	<b>01</b>	<b>0</b>	<b>0</b>	<b>0</b>	<b>0</b>	<b>1</b>
1	2	3	4	5				

- 1 SEQUENCE MANUFACTURER**
- 2 PRODUCTION LOCATION**  
 M = Milledgeville, GA
- 3 WEEK**
- 4 YEAR**
- 5 PRODUCTION NUMBER**

No.	Notes	CABINET SIZE	17	17	17	17	17	21
		MODEL	AH	AH	AH	AH	AH	AH
		ELECTRICAL DESIGNATION	A	J	J	J	J	A
		CONTROL DESIGNATION	N	N	S	S	S	N
		HEAT DESIGNATION	00	00	06	07	11	00
<b>PANELS, SHEET METAL, MISCELLANEOUS</b>								
1		Jacket	AS-58397-02	AS-58397-02	AS-58397-02	AS-58397-02	AS-58397-02	AS-58397-03
2		Blower Shelf - Cover/Top Deck	AS-58389-05	AS-58389-05	AS-58389-05	AS-58389-05	AS-58389-05	AS-58389-06
3		Bottom Channel	AE-58381-02	AE-58381-02	AE-58381-02	AE-58381-02	AE-58381-02	AE-58381-03
4		Blower Door Panel	AE-59440-35	AE-59440-35	AE-59440-36	AE-59440-36	AE-59440-36	AE-59441-36
4a		Circuit Breaker Cover	N/A	N/A	68-101808-01	68-101808-01	68-101808-01	N/A
4b		Circuit Breaker Cover Gasket	N/A	N/A	68-24337-02	68-24337-02	68-24337-02	N/A
6		Filter - Plastic	68-101807-02	68-101807-02	68-101807-02	68-101807-02	68-101807-02	68-101807-03
12		Center Panel	AE-58385-02	AE-58385-02	AE-58385-04	AE-58385-02	AE-58385-04	AE-58385-07

No.	Notes	CABINET SIZE	21	21	21	TBHP	21	24
		MODEL	AH	AH	AH	21	AH	AH
		ELECTRICAL DESIGNATION	J	J	J	J	J	A
		CONTROL DESIGNATION	N	S	S	11	S	N
		HEAT DESIGNATION	00	06	07	S	14	00
<b>PANELS, SHEET METAL, MISCELLANEOUS</b>								
1		Jacket	AS-58397-03	AS-58397-03	AS-58397-03	AS-58397-03	AS-58397-03	AS-58397-04
2		Blower Shelf - Cover/Top Deck	AS-58389-06	AS-58389-06	AS-58389-06	AS-58389-06	AS-58389-06	AS-58389-07
3		Bottom Channel	AE-58381-03	AE-58381-03	AE-58381-03	AE-58381-03	AE-58381-03	AE-58381-04
4		Blower Door Panel	AE-59441-35	AE-59441-36	AE-59441-36	AE-59441-36	AE-59441-37	AE-59442-35
4a		Circuit Breaker Cover	N/A	68-101808-01	68-101808-01	68-101808-01	68-101808-01	N/A
4b		Circuit Breaker Cover Gasket	N/A	68-24337-02	68-24337-02	68-24337-02	68-24337-02	N/A
6		Filter - Plastic	68-101807-03	68-101807-03	68-101807-03	68-101807-03	68-101807-03	68-101807-04
12		Center Panel	AE-58385-07	AE-58385-08	AE-58385-08	AE-58385-08	AE-58385-09	AE-58385-14

No.	Notes	CABINET SIZE	24	24	24	24	24	24
		MODEL	AH	AH	AH	AH	AH	AH
		ELECTRICAL DESIGNATION	J	J	J	J	J	J
		CONTROL DESIGNATION	N	S	S	S	S	S
		HEAT DESIGNATION	00	06	07	11	14	18
<b>PANELS, SHEET METAL, MISCELLANEOUS</b>								
1		Jacket	AS-58397-04	AS-58397-04	AS-58397-04	AS-58397-04	AS-58397-04	AS-58397-04
2		Blower Shelf - Cover/Top Deck	AS-58389-07	AS-58389-07	AS-58389-07	AS-58389-07	AS-58389-07	AS-58389-07
3		Bottom Channel	AE-58381-04	AE-58381-04	AE-58381-04	AE-58381-04	AE-58381-04	AE-58381-04
4		Blower Door Panel	AE-59442-32	AE-59442-32	AE-59442-32	AE-59442-32	AE-59442-32	AE-59442-32
4a		Circuit Breaker Cover	N/A	68-101808-01	68-101808-01	68-101808-01	68-101808-01	68-101808-01
4b		Circuit Breaker Cover Gasket	N/A	68-24337-02	68-24337-02	68-24337-02	68-24337-02	68-24337-02
6		Filter - Plastic	68-101807-04	68-101807-04	68-101807-04	68-101807-04	68-101807-04	68-101807-04
12		Center Panel	AE-58385-14	AE-58385-16	AE-58385-16	AE-58385-16	AE-58385-18	AE-58385-21

No.	Notes	CABINET SIZE	25	25	25	25	25	25
		MODEL	AH	AH	AH	AH	AH	AH
		ELECTRICAL DESIGNATION	A	J	J	J	J	J
		CONTROL DESIGNATION	N	N	S	S	S	S
		HEAT DESIGNATION	00	00	11	14	18	21
<b>PANELS, SHEET METAL, MISCELLANEOUS</b>								
1		Jacket	AS-58397-04	AS-58397-04	AS-58397-04	AS-58397-04	AS-58397-04	AS-58397-04
2		Blower Shelf - Cover/Top Deck	AS-58389-04	AS-58389-04	AS-58389-04	AS-58389-04	AS-58389-04	AS-58389-04
3		Bottom Channel	AE-58381-04	AE-58381-04	AE-58381-04	AE-58381-04	AE-58381-04	AE-58381-04
4		Blower Door Panel	AE-59442-32	AE-59442-32	AE-59442-32	AE-59442-32	AE-59442-32	AE-59442-32
4a		Circuit Breaker Cover	N/A	N/A	68-101808-01	68-101808-01	68-101808-01	68-101808-01
4b		Circuit Breaker Cover Gasket	N/A	N/A	68-24337-02	68-24337-02	68-24337-02	68-24337-02
6		Filter - Plastic	68-101807-04	68-101807-04	68-101807-04	68-101807-04	68-101807-04	68-101807-04
12		Center Panel	AE-58385-24	AE-58385-24	AE-58385-26	AE-58385-26	AE-58385-27	AE-58385-26

No.	Notes	CABINET SIZE MODEL ELECTRICAL DESIGNATION HEAT DESIGNATION	17 AH A 00	17 AH J 00	17 AH J 06	17 AH J 07	17 AH J 11	21 AH A 00
<b>ELECTRICAL GROUP</b>								
13		Sheath Heater w/Bracket	See Electric Heat Group					
14		Sequencing / Heat Relay	See Electric Heat Group					
15	Stk	Transformer	46-23115-01	46-23115-02	46-23115-02	46-23115-02	46-23115-02	46-23115-01
16		Limit Switch	See Electric Heat Group					
17		Circuit Breaker	N/A	N/A	42-23201-01	42-23201-01	42-23201-01	N/A
		Finger Stop Voltage	N/A	N/A	45-23203-01 (2)	45-23203-01 (2)	45-23203-01 (2)	N/A
		Jumper Bar - 4 Pole	N/A	N/A	N/A	N/A	N/A	N/A
18		Watt Restrictors	N/A	N/A	N/A	47-23117-01	47-23117-01	N/A
19	Stk	Defrost Heater Control	N/A	N/A	N/A	47-23118-01	47-23118-01	N/A
		Terminal Block	45-23222-02	45-23222-02	N/A	N/A	N/A	45-23222-02

No.	Notes	CABINET SIZE MODEL ELECTRICAL DESIGNATION HEAT DESIGNATION	21 AH J 00	21 AH J 06	21 AH J 07	21 AH J 11	21 AH J 14	24 AH A 00
<b>ELECTRICAL GROUP</b>								
13		Sheath Heater w/Bracket	See Electric Heat Group					
14		Sequencing / Heat Relay	See Electric Heat Group					
15	Stk	Transformer	46-23115-02	46-23115-02	46-23115-02	46-23115-02	46-23115-02	46-23115-01
16		Limit Switch	See Electric Heat Group					
17		Circuit Breaker	N/A	42-23201-01	42-23201-01	42-23201-01	42-23201-01 (2)	N/A
		Finger Stop Voltage	N/A	45-23203-01 (2)	45-23203-01 (2)	45-23203-01 (2)	N/A	N/A
		Jumper Bar - 4 Pole	N/A	N/A	N/A	N/A	45-23202-01	N/A
18		Watt Restrictors	N/A	N/A	N/A	N/A	47-23117-01	N/A
19	Stk	Defrost Heater Control	N/A	N/A	N/A	N/A	47-23118-01	N/A
		Terminal Block	45-23222-02	N/A	N/A	N/A	N/A	45-23222-02

No.	Notes	CABINET SIZE MODEL ELECTRICAL DESIGNATION HEAT DESIGNATION	24 AH J 00	24 AH J 06	24 AH J 07	24 AH J 11	24 AH J 14	24 AH J 18
<b>ELECTRICAL GROUP</b>								
13		Sheath Heater w/Bracket	See Electric Heat Group					
14		Sequencing / Heat Relay	See Electric Heat Group					
15	Stk	Transformer	46-23115-01	46-23115-02	46-23115-02	46-23115-02	46-23115-02	46-23115-02
16		Limit Switch	See Electric Heat Group					
17		Circuit Breaker	N/A	42-23201-01 (1)	42-23201-01 (1)	42-23201-01 (1)	42-23201-01 (2)	42-23201-01 (2)
		Finger Stop Voltage	N/A	45-23203-01 (2)	45-23203-01 (2)	45-23203-01 (2)	45-23203-01	45-23203-01
		Jumper Bar - 4 Pole	N/A	N/A	N/A	N/A	N/A	N/A
18		Watt Restrictors	N/A	N/A	N/A	N/A	47-23117-02	47-23117-02
19	Stk	Defrost Heater Control	N/A	N/A	N/A	N/A	47-23118-01	47-23118-01
		Terminal Block	45-23222-02	N/A	N/A	N/A	N/A	N/A

No.	Notes	CABINET SIZE MODEL ELECTRICAL DESIGNATION HEAT DESIGNATION	25 AH A 00	25 AH J 00	25 AH J 11	25 AH J 14	25 AH J 18	25 AH J 21
<b>ELECTRICAL GROUP</b>								
13		Sheath Heater w/Bracket	See Electric Heat Group					
14		Sequencing / Heat Relay	See Electric Heat Group					
15	Stk	Transformer	46-23115-01	46-23115-02	46-23115-02	46-23115-02	46-23115-02	46-23115-02
16		Limit Switch	See Electric Heat Group					
17		Circuit Breaker	N/A	N/A	42-23201-01 (1)	42-23201-01 (2)	42-23201-01 (2)	42-23201-01 (2)
		Finger Stop Voltage	N/A	N/A	45-23203-01 (2)	45-23203-01	45-23203-01	N/A
		Jumper Bar - 4 Pole	N/A	N/A	N/A	N/A	N/A	N/A
18		Watt Restrictors	N/A	N/A	N/A	47-23117-02	47-23117-02	47-23117-02
19	Stk	Defrost Heater Control	N/A	N/A	N/A	47-23118-01	47-23118-01	47-23118-01
		Terminal Block	45-23222-02	45-23222-02	N/A	N/A	N/A	N/A

No.	Notes	CABINET SIZE MODEL ELECTRICAL DESIGNATION HEAT DESIGNATION	17	17	17	17	17	21
			AH A 00	AH J 00	AH J 06	AH J 07	AH J 11	AH A 00
<b>BLOWER GROUP</b>								
7		Blower Housing	AS-58391-23	AS-58391-01	AS-58391-23	AS-58391-03	AS-58391-04	AS-58391-05
8		Air Straightener	AE-58392-02	AE-58392-02	AE-58392-02	AE-58392-02	AE-58392-02	AE-58392-02
9	Stk	Blower Wheel	70-23111-50	70-23111-50	70-23111-50	70-23111-50	70-23111-50	70-23111-51
		Front Coil Support (2)	AE-58348-08	AE-58348-08	AE-58348-08	AE-58348-08	AE-58348-08	AE-58348-09
		Front Coil Support	AE-58348-02	AE-58348-02	AE-58348-02	AE-58348-02	AE-58348-02	AE-58348-03
		Rear Coil Support (2)	AE-58349-02	AE-58349-02	AE-58349-02	AE-58349-02	AE-58349-02	AE-58349-03
		Rear Coil Support	AE-58349-08	AE-58349-08	AE-58349-08	AE-58349-08	AE-58349-08	AE-58349-06
		Blockoff Plate (2)	AS-59320-01	AS-59320-01	AS-59320-01	AS-59320-01	AS-59320-01	AS-59320-01
10	Stk	Blower Motor	51-102171-02	51-101879-04	51-101879-04	51-101879-04	51-101879-04	51-102172-02
	Stk	Control Board	47-100436-02	47-100436-02	47-100436-02	47-100436-02	47-100436-02	47-100436-02
11		Motor Mount	70-24104-01	70-24104-01	70-24104-01	70-24104-01	70-24104-01	70-24104-01
		Plug Housing Assembly - T-Stat	45-101891-03	45-101891-03	45-101891-03	45-101891-03	45-101891-03	45-101891-03

No.	Notes	CABINET SIZE MODEL ELECTRICAL DESIGNATION HEAT DESIGNATION	21	21	21	21	21	24
			AH J 00	AH J 06	AH J 07	AH J 11	AH J 14	AH A 00
<b>BLOWER GROUP</b>								
7		Blower Housing	AS-58391-05	AS-58391-24	AS-58391-07	AS-58391-08	AS-58391-09	AS-58391-10
8		Air Straightener	AE-58392-02	AE-58392-02	AE-58392-02	AE-58392-02	AE-58392-02	AE-58392-02
9	Stk	Blower Wheel	70-23111-51	70-23111-51	70-23111-51	70-23111-51	70-23111-51	70-23111-43
		Front Coil Support (2)	AE-58348-09	AE-58348-09	AE-58348-09	AE-58348-09	AE-58348-09	AE-58348-10
		Front Coil Support	AE-58348-03	AE-58348-03	AE-58348-03	AE-58348-03	AE-58348-03	AE-58348-04
		Rear Coil Support (2)	AE-58349-03	AE-58349-03	AE-58349-03	AE-58349-03	AE-58349-03	AE-58349-04
		Rear Coil Support	AE-58349-06	AE-58349-06	AE-58349-06	AE-58349-06	AE-58349-06	AE-58349-10
		Blockoff Plate (2)	AS-59320-01	AS-59320-01	AS-59320-01	AS-59320-01	AS-59320-01	N/A
10	Stk	Blower Motor	51-101880-10	51-101880-10	51-101880-10	51-101880-10	51-101880-10	51-102173-03
	Stk	Control Board	47-100436-02	47-100436-02	47-100436-02	47-100436-02	47-100436-02	47-100436-02
11		Motor Mount	70-24104-01	70-24104-01	70-24104-01	70-24104-01	70-24104-01	70-24104-01
		Plug Housing Assembly - T-Stat	45-101891-03	45-101891-03	45-101891-03	45-101891-03	45-101891-03	45-101891-03

No.	Notes	CABINET SIZE MODEL ELECTRICAL DESIGNATION HEAT DESIGNATION	24	24	24	24	24	24
			AH J 00	AH J 06	AH J 07	AH J 11	AH J 14	AH J 18
<b>BLOWER GROUP</b>								
7		Blower Housing	AS-58391-10	AS-58391-25	AS-58391-12	AS-58391-13	AS-58391-14	AS-58391-15
8		Air Straightener	AE-58392-02	AE-58392-02	AE-58392-02	AE-58392-02	AE-58392-02	AE-58392-02
9	Stk	Blower Wheel	70-23111-43	70-23111-43	70-23111-43	70-23111-43	70-23111-43	70-23111-43
		Front Coil Support (2)	AE-58348-10	AE-58348-10	AE-58348-10	AE-58348-10	AE-58348-10	AE-58348-10
		Front Coil Support	AE-58348-04	AE-58348-04	AE-58348-04	AE-58348-04	AE-58348-04	AE-58348-04
		Rear Coil Support (2)	AE-58349-04	AE-58349-04	AE-58349-04	AE-58349-04	AE-58349-04	AE-58349-04
		Rear Coil Support	AE-58349-10	AE-58349-10	AE-58349-10	AE-58349-10	AE-58349-10	AE-58349-10
10	Stk	Blower Motor	51-101920-08	51-101920-08	51-101920-08	51-101920-08	51-101920-08	51-101920-08
	Stk	Control Board	47-100436-02	47-100436-02	47-100436-02	47-100436-02	47-100436-02	47-100436-02
11		Motor Mount	70-24104-01	70-24104-01	70-24104-01	70-24104-01	70-24104-01	70-24104-01
		Plug Housing Assembly - T-Stat	45-101891-03	45-101891-03	45-101891-03	45-101891-03	45-101891-03	45-101891-03

No.	Notes	CABINET SIZE MODEL ELECTRICAL DESIGNATION HEAT DESIGNATION	25	25	25	25	25	25
			AH A 00	AH J 00	AH J 11	AH J 14	AH J 18	AH J 21
<b>BLOWER GROUP</b>								
7		Blower Housing	AS-58391-16	AS-58391-16	AS-58391-19	AS-58391-20	AS-58391-21	AS-58391-22
8		Air Straightener	AE-58392-02	AE-58392-02	AE-58392-02	AE-58392-02	AE-58392-02	AE-58392-02
9	Stk	Blower Wheel	70-23111-44	70-23111-44	70-23111-44	70-23111-44	70-23111-44	70-23111-44
		Front Coil Support (2)	AE-58348-10	AE-58348-10	AE-58348-10	AE-58348-10	AE-58348-10	AE-58348-10
		Front Coil Support	AE-58348-04	AE-58348-04	AE-58348-04	AE-58348-04	AE-58348-04	AE-58348-04
		Rear Coil Support (2)	AE-58349-04	AE-58349-04	AE-58349-04	AE-58349-04	AE-58349-04	AE-58349-04
		Rear Coil Support	AE-58349-10	AE-58349-10	AE-58349-10	AE-58349-10	AE-58349-10	AE-58349-10
10	Stk	Blower Motor - X-13	51-101920-08	51-102173-04	51-101920-19	51-101920-19	51-101920-19	51-101920-19
	Stk	Control Board	47-100436-02	47-100436-02	47-100436-02	47-100436-02	47-100436-02	47-100436-02
11		Motor Mount	70-24104-01	70-24104-01	70-24104-01	70-24104-01	70-24104-01	70-24104-01
		Plug Housing Assembly - T-Stat	45-101891-03	45-101891-03	45-101891-03	45-101891-03	45-101891-03	45-101891-03

No.	Notes	CABINET SIZE	17	17	17	17	17	21
		MODEL	AH	AH	AH	AH	AH	AH
		ELECTRICAL DESIGNATION	A	J	J	J	J	A
		HEAT DESIGNATION	00	00	06	07	11	00
<b>ELECTRIC HEAT GROUP</b>								
13	Stk	Sheath Heater w/Bracket	N/A	N/A	AS-58386-11 (1)	AS-58386-12 (2)	AS-58386-12 (3)	N/A
14	Stk	Sequencing / Heat Relay	N/A	N/A	42-23116-06	42-23116-09	42-23116-06	N/A
14	Stk	Sequencing / Heat Relay	N/A	N/A	N/A	N/A	42-23116-08	N/A
16	Stk	Limit Switch - Position 1 (Green)	N/A	N/A	47-23113-01	47-23113-01	47-23113-01	N/A
16	Stk	Limit Switch - Position 2 (Blue)	N/A	N/A	N/A	47-23113-02	47-23113-02	N/A
16	Stk	Limit Switch - Position 3 (Blue)	N/A	N/A	N/A	N/A	47-23113-02	N/A
16		Limit Switch - Position 4	N/A	N/A	N/A	N/A	N/A	N/A
16		Limit Switch - Position 5	N/A	N/A	N/A	N/A	N/A	N/A
16		Limit Switch - Position 6	N/A	N/A	N/A	N/A	N/A	N/A

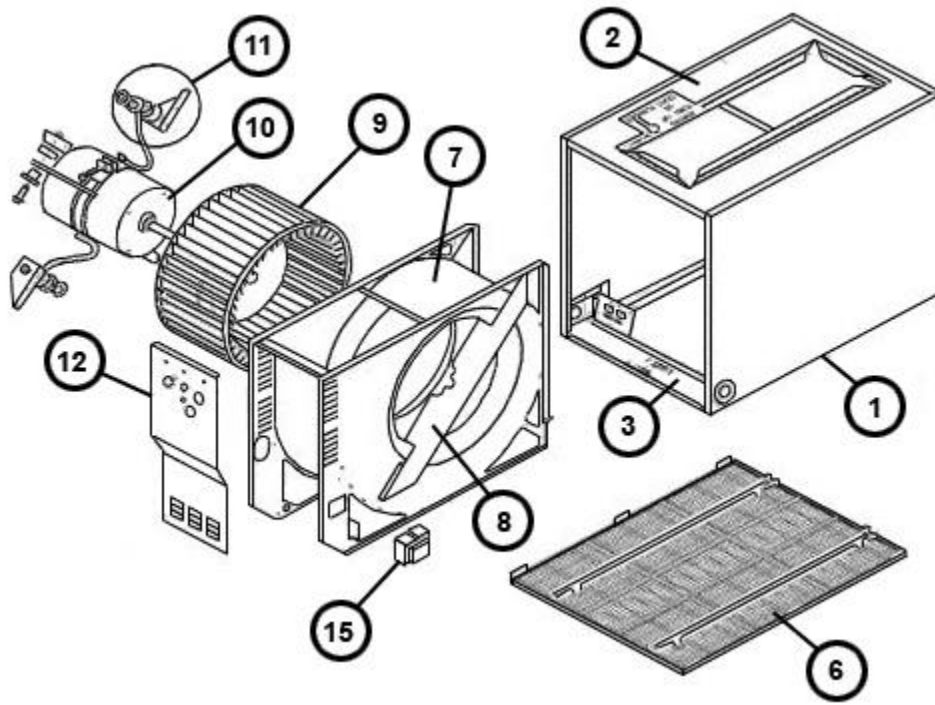
No.	Notes	CABINET SIZE	21	21	21	21	21	24
		MODEL	AH	AH	AH	AH	AH	AH
		ELECTRICAL DESIGNATION	J	J	J	J	J	A
		HEAT DESIGNATION	00	06	07	11	14	00
<b>ELECTRIC HEAT GROUP</b>								
13	Stk	Sheath Heater w/Bracket	N/A	AS-58386-11 (1)	AS-58386-12 (2)	AS-58386-12 (3)	AS-58386-12 (4)	N/A
14	Stk	Sequencing / Heat Relay	N/A	42-23116-06	42-23116-09	42-23116-06	42-23116-09	N/A
14	Stk	Sequencing / Heat Relay	N/A	N/A	N/A	42-23116-08	42-23116-08	N/A
16	Stk	Limit Switch - Position 1 (Yellow)	N/A	47-23113-03	47-23113-03	47-23113-03	47-23113-03	N/A
16	Stk	Limit Switch - Position 2 (Blue)	N/A	N/A	47-23113-02	47-23113-02	47-23113-02	N/A
16	Stk	Limit Switch - Position 3 (White)	N/A	N/A	N/A	47-23113-04	47-23113-04	N/A
16	Stk	Limit Switch - Position 4 (White)	N/A	N/A	N/A	N/A	47-23113-04	N/A
16		Limit Switch - Position 5	N/A	N/A	N/A	N/A	N/A	N/A
16		Limit Switch - Position 6	N/A	N/A	N/A	N/A	N/A	N/A

No.	Notes	CABINET SIZE	24	24	24	24	24	24
		MODEL	AH	AH	AH	AH	AH	AH
		ELECTRICAL DESIGNATION	J	J	J	J	J	J
		HEAT DESIGNATION	00	06	07	11	14	18
<b>ELECTRIC HEAT GROUP</b>								
13	Stk	Sheath Heater w/Bracket	N/A	AS-58386-11 (1)	AS-58386-12 (2)	AS-58386-12 (3)	AS-58386-12 (4)	AS-58386-12 (5)
14	Stk	Sequencing / Heat Relay	N/A	42-23116-06	42-23116-09	42-23116-06	42-23116-09	42-23116-09
14	Stk	Sequencing / Heat Relay	N/A	N/A	N/A	42-23116-08	42-23116-08	42-23116-09
16	Stk	Limit Switch - Position 1 (Green)	N/A	47-23113-01	47-23113-01	47-23113-01	47-23113-01	47-23113-01
16	Stk	Limit Switch - Position 2 (Red)	N/A	N/A	47-23113-05	47-23113-05	47-23113-05	47-23113-05
16	Stk	Limit Switch - Position 3 (Red)	N/A	N/A	N/A	47-23113-05	47-23113-05	47-23113-05
16	Stk	Limit Switch - Position 4 (White)	N/A	N/A	N/A	N/A	47-23113-04	47-23113-04
16	Stk	Limit Switch - Position 5 (White)	N/A	N/A	N/A	N/A	N/A	47-23113-04
16		Limit Switch - Position 6	N/A	N/A	N/A	N/A	N/A	N/A

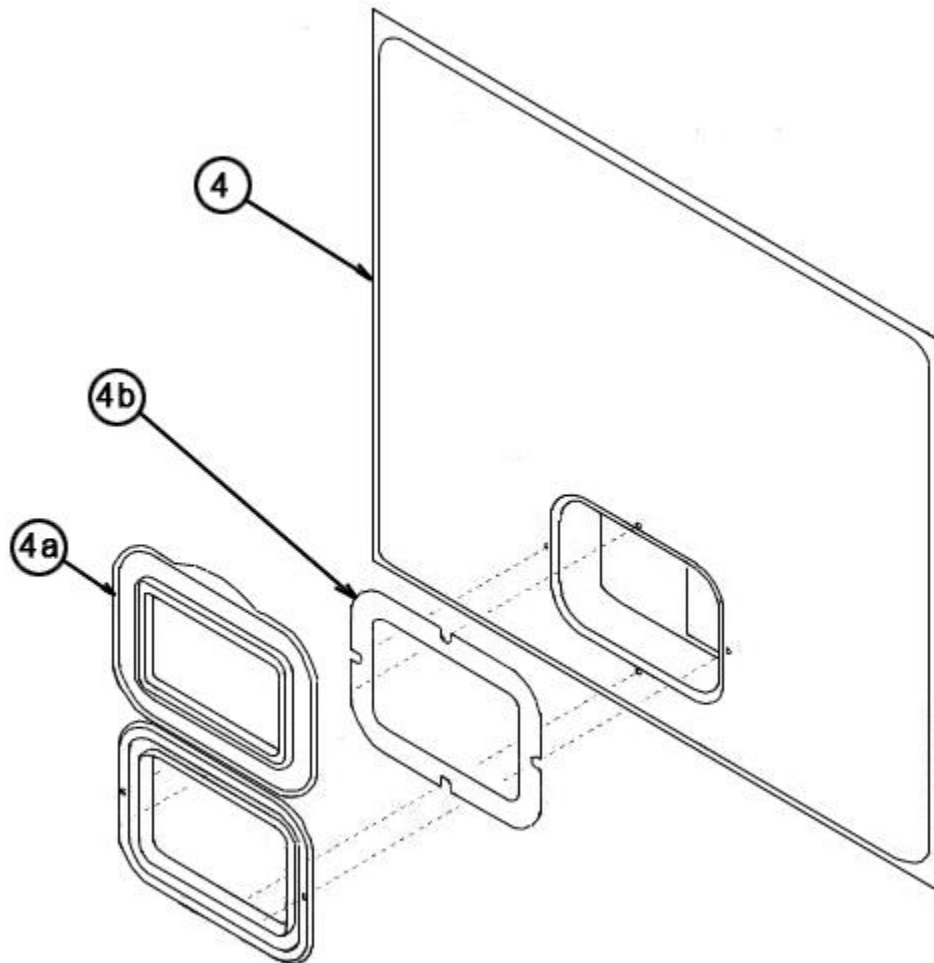
No.	Notes	CABINET SIZE	25	25	25	25	25	25
		MODEL	AH	AH	AH	AH	AH	AH
		ELECTRICAL DESIGNATION	A	J	J	J	J	J
		HEAT DESIGNATION	00	00	11	14	18	21
<b>ELECTRIC HEAT GROUP</b>								
13	Stk	Sheath Heater w/Bracket	N/A	N/A	AS-58386-12 (3)	AS-58386-12 (4)	AS-58386-12 (5)	AS-58386-12 (6)
14	Stk	Sequencing / Heat Relay	N/A	N/A	42-23116-06	42-23116-09	42-23116-09	42-23116-09
14	Stk	Sequencing / Heat Relay	N/A	N/A	42-23116-08	42-23116-08	42-23116-09	42-23116-09
16	Stk	Limit Switch - Position 1 (Green)	N/A	N/A	47-23113-01	47-23113-01	47-23113-01	47-23113-01
16	Stk	Limit Switch - Position 2 (Blue)	N/A	N/A	47-23113-02	47-23113-02	47-23113-02	47-23113-02
16	Stk	Limit Switch - Position 3 (Red)	N/A	N/A	47-23113-05	47-23113-05	47-23113-05	47-23113-05
16	Stk	Limit Switch - Position 4 (Red)	N/A	N/A	N/A	47-23113-05	47-23113-05	47-23113-05
16	Stk	Limit Switch - Position 5 (Orange)	N/A	N/A	N/A	N/A	47-23113-06	47-23113-06
16	Stk	Limit Switch - Position 6 (Orange)	N/A	N/A	N/A	N/A	N/A	47-23113-06

No.	Notes	CABINET SIZE	17	21	24	25
		MODEL	AH	AH	AH	AH
		REFRIGERANT	L	L	L	L
<b>COILS</b>						
		Coil Assembly - Air Flow Connection H	RCHL-24A2GH17	RCHL-36A1GH21	RCHL-48A1GH24	RCHL-60A1GH24

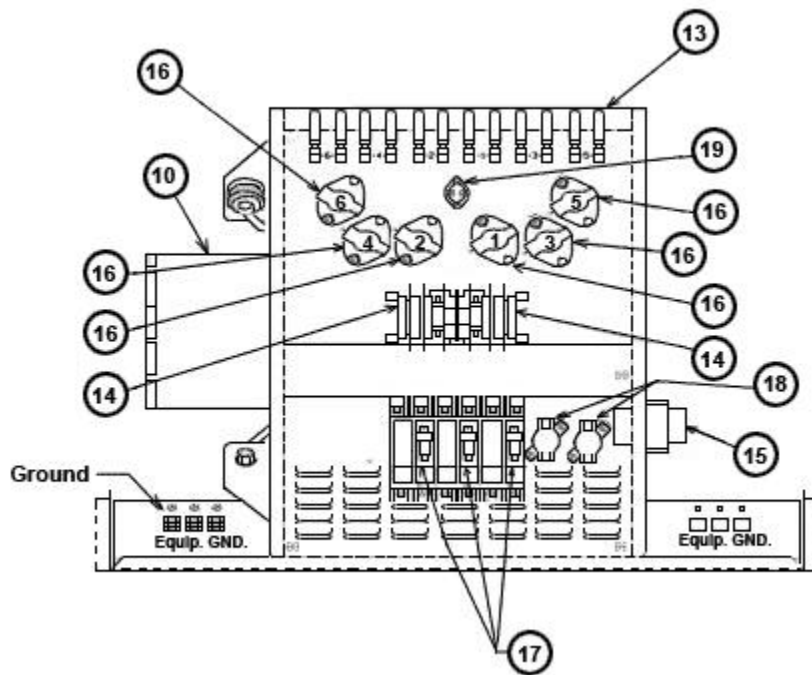
No.	Notes	CABINET SIZE	17	21	24	25
		MODEL	AH	AH	AH	AH
<b>ACCESSORIES</b>						
		Replacement Filters	54-23217-02	54-23217-03	54-23217-04	54-23217-04
		Finger Safe Circuit Breaker Cover - (1 for each Circuit Breaker Pole)	45-23203-01	45-23203-01	45-23203-01	45-23203-01
		Horizontal Drain Pan	RXBD-CB	RXBD-CB	RXBD-CB	RXBD-CB
		Auxiliary Horizontal Drain Pan	RXBM-AA06	RXBM-AA06	RXBM-AA06	RXBM-AA06



Exploded View



Door Assembly



Electrical Assembly

# NOTES

Stk It is recommended that stock be maintained for this part.  
N/A Not Applicable

**DISCLAIMER:** This document is intended to provide general replacement parts information to aid qualified service personnel in the repair of these models. The complete Model and Serial Number of the unit under repair should be specified when selecting and ordering replacement parts. Specifications and illustrations are subject to change without notice. Document 92-42805-AHBL supersedes all previous parts lists for these models. See <http://www.rheempartslists.net/92-42805-AHBL> for the latest revision of this document. The manufacturer assumes no obligation for errors or omissions. Service personnel must verify the proper and safe operation of equipment after the replacement of any original components.