



RGPK

Parts List
21-February-2008



*This parts list is current as of the above revision date.
See <http://www.rheempartslists.net/92-42800-RGPK.pdf> for the current revision.*

80% Gas Furnaces - 2 Stage

Table of Contents

Model Explanation	Page 3
Parts Numbers	
Panels - Miscellaneous	Page 4
Electrical Group	Page 5
Blower Group	Page 6
Heat Exchanger-Burner Group	Page 7
Gas Controls	Page 7
Orifice Selection Chart	Page 8
Drawings/Photographs	
Exploded View	Page 9
Blower Assembly	Page 10
Burner Assembly	Page 11
Notes/Disclaimer	Page 12

MODEL NUMBER EXPLANATION

R	G	P	K	-	0	7	E	A	M	E	R
(1)	(2)	(3)	(4)		(5)			(6)	(7)	(8)	(9)

(1) **TRADEBRAND IDENTIFICATION**

(2) **MODEL**
G = GAS FURNACE

(3) **TYPE**
P = Upflow / Horizontal Multi Position

(4) **DESIGN SERIES / VARIATION**

(5) **HEATING INPUT DESIGNATION**

05 = 50,000 BTU/HR
07 = 75,000 BTU/HR
10 = 100,000 BTU/HR
12 = 125,000 BTU/HR
15 = 150,000 BTU/HR

E = Electric Ignition
N = Electric Ignition with NOX

(6) **VARIATION**

A = Standard Cabinet
B = Wide Cabinet

(7) **BLOWER DESIGNATION**

M = 11 x 7
R = 11 x 10
U = 11 x 6

(8) **AIRFLOW**

E = 1100 - 1300 CFM
G = 1500 - 1700 CFM
J = 1900 - 2100 CFM

(9) **FUEL DESIGNATION**

A = Canadian - Natural Gas
R = U.S. - Natural Gas

SERIAL NUMBER EXPLANATION

E	X	5	D	7	0	7	F	3	5	9	7	9	9	9	9
(1)		(2)	(3)	(4)	(5)	(6)	(7)	(8)		(9)			(10)		

(1) **GAS CODE**

(2) **LIMIT CONTROL**

(3) **BLOWER**

(4) **HEATING ELEMENT**

(5) **SPECIAL AREA REQUIREMENT**

(6) **MOTOR HORSEPOWER**

(7) **PLANT**
F = Fort Smith, AR

(8) **WEEK**

(9) **YEAR**

(10) **PRODUCTION NUMBER**

No.	Notes	MODEL HEATING CAPACITY VARIATION BLOWER DESIGNATION AIRFLOW	RGPK	RGPK	RGPK	RGPK
			05 A U E	07 A M E	07 A M G	07 A U E
PANELS, SHEET METAL, MISCELLANEOUS						
1		Jacket	AS-61690-21	AS-61690-22	AS-61690-22	AS-61690-23
2		Top Plate	AE-61657-01	AE-61657-02	AE-61657-02	AE-61657-02
3		Blower/Filter Door	AS-67893-01	AS-67894-01	AS-67894-01	AS-67894-01
4		Burner Door	AE-61675-01	AE-61676-01	AE-61676-01	AE-61676-01
		Plug Button - 1-3/16 in. opening (2)	45-22980-01	45-22980-01	45-22980-01	45-22980-01
5		Mounting Control Plate	AE-67877-01	AE-67877-01	AE-67877-01	AE-67877-01
6		Junction Box	AE-61475-02	AE-61475-02	AE-61475-02	AE-61475-02
7		Junction Box Cover	AE-61476-02	AE-61476-02	AE-61476-02	AE-61476-02
8		Rollout Switch Bracket (3)	AE-61600-02	AE-61600-02	AE-61600-02	AE-61600-02
9		Pressure Switch Bracket	AE-61981-02	AE-61981-02	AE-61981-02	AE-61981-02
10		Pressure Switch	See Electrical Group			
11		Door Switch	See Electrical Group			
12		Limit - Main Limit (Heat Exchanger Panel)	See Electrical Group			
13		Limit - Manual Reset (Burner Compartment)	See Electrical Group			
14		Limit - Heat Assisted (Blower Housing)	See Electrical Group			
15		Transformer w/Fuse - Before	See Electrical Group			
16		Inducer Draft Blower w/Gasket	See Electrical Group			
17		Blower Assembly	See Blower Group			
23		Heat Exchanger	See Heat Exchanger Bracket			
24		Heat Exchanger Bracket	See Heat Exchanger Bracket			
25		Filter	54-24094-01	54-24094-01	54-24094-01	54-24094-01
26		Filter Support Angle	AE-61883-01	AE-61883-01	AE-61883-01	AE-61883-01
27		Filter Retainer Rod	45-24095-01	45-24095-01	45-24095-01	45-24095-01
28		Filter Rod Support Angle	AE-60520-01	AE-60520-01	AE-60520-01	AE-60520-01
35		Gas Valve	See Gas Controls			
36		Integrated Control Board	See Gas Controls			

No.	Notes	MODEL HEATING CAPACITY VARIATION BLOWER DESIGNATION AIRFLOW	RGPK	RGPK	RGPK	RGPK
			10 A M E	10 B R J	12 A R J	15 A R J
PANELS, SHEET METAL, MISCELLANEOUS						
1		Jacket	AS-61690-22	AS-61690-24	AS-61690-25	AS-61690-25
2		Top Plate	AE-61657-02	AE-61657-03	AE-61657-04	AE-61657-04
3		Blower/Filter Door	AS-67894-01	AS-67895-01	AS-67896-01	AS-67896-01
4		Burner Door	AE-61676-01	AE-61677-01	AE-61678-01	AE-61678-01
		Plug Button - 1-3/16 in. opening (2)	45-22980-01	45-22980-01	45-22980-01	45-22980-01
5		Mounting Control Plate	AE-67877-01	AE-67877-01	AE-67877-01	AE-67877-01
6		Junction Box	AE-61475-02	AE-61475-02	AE-61475-02	AE-61475-02
7		Junction Box Cover	AE-61476-02	AE-61476-02	AE-61476-02	AE-61476-02
8		Rollout Switch Bracket (3)	AE-61600-02	AE-61600-02	AE-61600-02	AE-61600-02
9		Pressure Switch Bracket	AE-61981-02	AE-61981-02	AE-61981-02	AE-61981-02
10		Pressure Switch	See Electrical Group			
11		Door Switch	See Electrical Group			
12		Limit - Main Limit (Heat Exchanger Panel)	See Electrical Group			
13		Limit - Manual Reset (Burner Compartment)	See Electrical Group			
14		Limit - Heat Assisted (Blower Housing)	See Electrical Group			
15		Transformer w/Fuse - Before	See Electrical Group			
16		Inducer Draft Blower w/Gasket	See Electrical Group			
17		Blower Assembly	See Blower Group			
23		Heat Exchanger	See Heat Exchanger Bracket			
24		Heat Exchanger Bracket	See Heat Exchanger Bracket			
25		Filter	54-24094-01	54-24094-02	54-24094-03	54-24094-03
26		Filter Support Angle	AE-61883-01	AE-61883-01	AE-61883-01	AE-61883-01
27		Filter Retainer Rod	45-24095-01	45-24095-01	45-24095-01	45-24095-01
28		Filter Rod Support Angle	AE-60520-01	AE-60520-01	AE-60520-01	AE-60520-01
35		Gas Valve	See Gas Controls			
36		Integrated Control Board	See Gas Controls			

No.	Notes	MODEL HEATING CAPACITY VARIATION BLOWER DESIGNATION AIRFLOW	RGPK	RGPK	RGPK	RGPK
			05 A U E	07 A M E	07 A M G	07 A U E
ELECTRICAL GROUP						
10	Stk,2	Low Pressure Switch - Before F1601	42-23648-06	N/A	42-23648-06	42-23648-06
10	Stk,2	High Pressure Switch - Before F1601	42-23648-03	N/A	42-23648-03	42-23648-03
10	Stk,2	Dual Pressure Switch - F1601 - F3702	42-24166-06	42-24166-11	42-24166-06	42-24166-06
10	Stk,2	Dual Pressure Switch - F3702 - F2103	42-24166-09	42-24166-11	42-24166-09	42-24166-09
10	Stk,2	Dual Pressure Switch - F2103 - F0406	42-24166-11	42-24166-11	42-24166-11	42-24166-09
10	Stk,2	Dual Pressure Switch - After F0406	42-101104-11	42-101104-11	42-101104-11	42-101104-09
11	Stk	Door Switch - Push Button	42-22692-01	42-22692-01	42-22692-01	42-22692-01
12	Stk	Limit - Main Limit (Heat Exchanger Panel) - Before F2103	47-25349-03	N/A	47-25349-01	47-25349-02
12	Stk	Limit - Main Limit (Heat Exchanger Panel) - After F2103	47-25349-11	N/A	47-25349-03	47-25349-02
12	Stk	Limit - Main Limit (Heat Exchanger Panel) - Before F1403	N/A	47-25349-03	N/A	N/A
12	Stk	Limit - Main Limit (Heat Exchanger Panel) - After F1403	N/A	47-25349-01	N/A	N/A
13	Stk	Limit - Manual Reset (Burner Compartment) (3)	47-22861-01	47-22861-01	47-22861-01	47-22861-01
14	Stk	Limit - Heat Assisted (Blower Housing)	47-22860-06	47-22860-06	47-22860-06	47-22860-06
15	Stk	Transformer w/Fuse - Before F1106	46-22863-04	46-22863-04	46-22863-04	46-22863-04
15	Stk	Transformer w/Fuse - After F1106	46-101496-01	46-101496-01	46-101496-01	46-101496-01
16	Stk	Inducer Draft Blower w/Gasket - Before F2103	70-24324-02	70-100542-01	70-24324-02	70-24324-02
16	Stk	Inducer Draft Blower w/Gasket - After F2103	70-100542-01	70-100542-01	70-100542-01	70-24324-02
		Wiring Harness - 4 pin to 3 pin on IFC Board	45-24371-22	45-24371-22	45-24371-22	45-24371-22
		Wiring Harness - 2 pin to 2 terminals on IFC Board	45-24371-23	45-24371-23	45-24371-23	45-24371-23
		Wiring Harness - 9 pin to 12 pin on IFC Board	45-24371-24	45-24371-24	45-24371-24	45-24371-24
		Wiring Harness - 2 pin to 1 strip back and 1 terminal from Junction Box	45-24371-37	45-24371-37	45-24371-37	45-24371-37
		Wiring Harness - 4 pin to 3 pin for Induced Draft Motor	45-24371-38	45-24371-38	45-24371-38	45-24371-38
		Wiring Harness - 9 pin to 3 pin for gas valve and 7 terminals	45-24371-20	45-24371-20	45-24371-20	45-24371-20

No.	Notes	MODEL HEATING CAPACITY VARIATION BLOWER DESIGNATION AIRFLOW	RGPK	RGPK	RGPK	RGPK
			10 A M E	10 B R J	12 A R J	15 A R J
ELECTRICAL GROUP						
10	Stk,2	Low Pressure Switch - Before F1601	42-23648-06	42-23648-06	42-23648-08	42-23648-08
10	Stk,2	High Pressure Switch - Before F1601	42-23648-03	42-23648-03	42-23648-02	42-23648-02
10	Stk,2	Dual Pressure Switch - F1601 - F3702	42-24166-06	42-24166-06	42-24166-07	42-24166-07
10	Stk,2	Dual Pressure Switch - F3702 - F2103	42-24166-09	42-24166-09	42-24166-09	42-24166-09
10	Stk,2	Dual Pressure Switch - F2103 - F0406	42-24166-11	42-24166-11	42-24166-10	42-24166-10
10	Stk,2	Dual Pressure Switch - After F0406	42-101104-11	42-101104-11	42-101104-10	42-101104-10
11	Stk	Door Switch - Push Button	42-22692-01	42-22692-01	42-22692-01	42-22692-01
12	Stk	Limit - Main Limit (Heat Exchanger Panel) - Before F2103	47-25349-02	47-25349-01	47-25349-03	47-25349-03
12	Stk	Limit - Main Limit (Heat Exchanger Panel) - After F2103	47-25349-03	47-25349-03	47-25349-03	47-25349-03
13	Stk	Limit - Manual Reset (Burner Compartment) (3)	47-22861-01	47-22861-01	47-22861-01	47-22861-01
14	Stk	Limit - Heat Assisted (Blower Housing)	47-22860-06	47-22860-06	47-22860-06	47-22860-06
15	Stk	Transformer w/Fuse - Before F1106	46-22863-04	46-22863-04	46-22863-04	46-22863-04
15	Stk	Transformer w/Fuse - After F1106	46-101496-01	46-101496-01	46-101496-01	46-101496-01
16	Stk	Inducer Draft Blower w/Gasket - Before F2103	70-24324-02	70-24324-02	70-24324-02	70-24324-02
16	Stk	Inducer Draft Blower w/Gasket - After F2103	70-100542-01	70-100542-01	70-100542-02	70-100542-02
		Wiring Harness - 4 pin to 3 pin on IFC Board	45-24371-22	45-24371-22	45-24371-22	45-24371-22
		Wiring Harness - 2 pin to 2 terminals on IFC Board	45-24371-23	45-24371-23	45-24371-23	45-24371-23
		Wiring Harness - 9 pin to 12 pin on IFC Board	45-24371-24	45-24371-24	45-24371-24	45-24371-24
		Wiring Harness - 2 pin to 1 strip back and 1 terminal from Junction Box	45-24371-37	45-24371-37	45-24371-37	45-24371-37
		Wiring Harness - 4 pin to 3 pin for Induced Draft Motor	45-24371-38	45-24371-38	45-24371-38	45-24371-38
		Wiring Harness - 9 pin to 3 pin for gas valve and 7 terminals	45-24371-20	45-24371-20	45-24371-20	45-24371-20

No.	Notes	MODEL HEATING CAPACITY VARIATION BLOWER DESIGNATION AIRFLOW	RGPK	RGPK	RGPK	RGPK
			05 A U E	07 A M E	07 A M G	07 A U E
BLOWER GROUP						
17	Stk	Blower Assembly (Includes items 18-22)	AS-61697-46	AS-100553-01	AS-61697-55	AS-61697-48
18		Housing	AS-61674-19	AS-61674-21	AS-61674-21	AS-61674-20
19	Stk	Blower Motor	51-24070-01	51-24070-02	51-25023-01	51-24070-02
20		Motor Mount Leg (4)	AE-61698-02	AE-61698-02	AE-61698-02	AE-61698-02
21	Stk	Blower Wheel	70-22683-01	70-23111-05	70-23111-05	70-22683-01
22	Stk	Capacitor - Blower Motor	43-100509-43	43-100509-42	43-100509-43	43-100509-42

No.	Notes	MODEL HEATING CAPACITY VARIATION BLOWER DESIGNATION AIRFLOW	RGPK	RGPK	RGPK	RGPK
			10 A M E	10 B R J	12 A R J	15 A R J
BLOWER GROUP						
17	Stk	Blower Assembly (Includes items 18-22)	AS-61697-50	AS-61697-52	AS-61697-52	AS-61697-52
18		Housing	AS-61674-21	AS-61674-22	AS-61674-22	AS-61674-22
19	Stk	Blower Motor	51-24070-02	51-25023-01	51-25023-01	51-25023-01
20		Motor Mount Leg (4)	AE-61698-02	AE-61698-02	AE-61698-02	AE-61698-02
21	Stk	Blower Wheel	70-22688-01	70-20602-01	70-20602-01	70-20602-01
22	Stk	Capacitor - Blower Motor	43-100509-42	43-100509-43	43-100509-43	43-100509-43

No.	Notes	MODEL HEATING CAPACITY VARIATION BLOWER DESIGNATION AIRFLOW	RGPK	RGPK	RGPK	RGPK
			05 A U E	07 A M E	07 A M G	07 A U E
HEAT EXCHANGER, BURNER / MANIFOLD						
23	Stk	Heat Exchanger - Before F2103	AS-61579-09	AS-100560-01	AS-61579-02	AS-61579-02
23	Stk	Heat Exchanger - After F2103	AS-61579-09	AS-100560-01	AS-100560-01	AS-61579-02
24		Heat Exchanger Bracket	AE-67846-02	AE-67846-02	AE-67846-02	AE-67846-02
		NOX Burner Inserts	AS-67875-01 (1)	AS-67875-01 (2)	AS-67875-01 (2)	AS-67875-01 (2)
		NOX Insert Retainer	AE-67872-01	AE-67872-02	AE-67872-02	AE-67872-02
30	Stk	Burner Assembly	AS-60993-02	AS-60993-03	AS-60993-03	AS-60993-03
31		Burner Support	AE-60997-01	AE-60997-02	AE-60997-02	AE-60997-02
32		Burner Support Bracket (2)	AE-61588-02	AE-61588-02	AE-61588-02	AE-61588-02
33	Stk	Manifold (w/o Orifices)	AS-61663-01	AS-61663-02	AS-61663-02	AS-61663-02
34		Burner Orifice - Natural Gas	See Orifice Selection Chart			
34		Burner Orifice - LP	See Orifice Selection Chart			
34		Number of Orifices	(2)	(3)	(3)	(3)

No.	Notes	MODEL HEATING CAPACITY VARIATION BLOWER DESIGNATION AIRFLOW	RGPK	RGPK	RGPK	RGPK
			10 A M E	10 B R J	12 A R J	15 A R J
HEAT EXCHANGER, BURNER / MANIFOLD						
23	Stk	Heat Exchanger	AS-61579-07	AS-61579-04	AS-61579-05	AS-61579-06
24		Heat Exchanger Bracket	AE-67846-02	AE-67846-02	AE-67846-02	AE-67846-02
		NOX Burner Inserts	AS-67875-01 (3)	AS-67875-01 (3)	AS-67875-01 (4)	AS-67875-01 (5)
		NOX Insert Retainer	AE-67872-03	AE-67872-03	AE-67872-04	AE-67872-05
30	Stk	Burner Assembly	AS-60993-04	AS-60993-04	AS-60993-05	AS-60993-06
31		Burner Support	AE-60997-03	AE-60997-02	AE-60997-04	AE-60997-05
32		Burner Support Bracket	AE-61588-02	AE-61588-02	AE-61588-02	AE-61588-02
33	Stk	Manifold (w/o Orifices)	AS-61663-03	AS-61663-03	AS-61663-04	AS-61663-05
34		Burner Orifice - Natural Gas	See Orifice Selection Chart			
34		Burner Orifice - LP	See Orifice Selection Chart			
34		Number of Orifices	(4)	(4)	(5)	(6)

No.	Notes	MODEL GAS CODE	RGPK	RGPK	RGPK	RGPK
			EX	FJ	FM	FQ
GAS CONTROLS						
35	Stk	Gas Valve - Natural Gas	60-23490-08	60-23490-08	60-24394-01	60-23490-12
35	Stk,1	Gas Valve - LP	See Note 1	See Note 1	See Note 1	See Note 1
36		Original Integrated Furnace Control Board (IFC)	62-24320-01	62-24320-02	62-24320-02	62-24320-02
36	Stk	Replacement Integrated Furnace Control Board (IFC)	62-102635-81	62-102635-81	62-102635-81	62-102635-81
37	Stk	Flame Sensor	62-23543-01	62-23543-01	62-23543-01	62-23543-01
38	Stk	Direct Spark Ignitor	62-24164-01	62-24164-01	62-24164-01	62-24164-01
		Direct Spark Ignitor Bracket	AE-61885-02	AE-61885-02	AE-61885-02	AE-61885-02
		LP Conversion Kit:				
	Stk	U.S. Models	FP-09	FP-09	FP-09	FP-09
	Stk	Canadian Models	FP-10	FP-10	FP-10	FP-10

80% GAS FURNACE - ORIFICE SELECTION CHART - NATURAL GAS

CAUTION: Selection of the correct Natural Gas Orifice requires the following information for the specific installation:

- 1) Altitude in of the installation (ft.).
- 2) Average energy content of the Natural Gas fuel from the local supplier (BTU/cu. ft.).

For detailed information and instructions for Orifice selection, see the Gas Furnace LP Conversion Kit Index 92-21519-59 and the latest edition of the National Fuel Gas Code Handbook, or the National Standard of Canada, Natural Gas and Propane Installation Code, CAN B149.1.

CAUTION: This information is provided for replacement purposes only. Conversion for operation at High Altitude must be done using the kit specified on the product specification sheet for the unit.

NOTE: This Orifice sizing chart is based on 20,000 BTU/HR per burner.

NOTE: Factory installed orifices are calculated and sized based on a Natural Gas heating value of 1075 BTU/cu. ft. and an elevation of 0 - 3000 ft.

Energy Value (BTU/cu. ft.)	Elevation (ft.)							
	0 - 1999	2000 - 2999	3000 - 3999	4000 - 4999	5000 - 5999	6000 - 6999	7000 - 7999	8000 - 8999
850	62-22175-38	62-22175-39	62-22175-40	62-22175-41	62-22175-41	62-22175-42	62-22175-42	62-22175-43
900	62-22175-40	62-22175-41	62-22175-42	62-22175-42	62-22175-42	62-22175-43	62-22175-43	62-22175-44
975	62-22175-41	62-22175-42	62-22175-42	62-22175-42	62-22175-43	62-22175-43	62-22175-44	62-22175-44
1075	62-22175-42	62-22175-42	62-22175-43	62-22175-43	62-22175-43	62-22175-44	62-22175-44	62-22175-45
1170	62-22175-43	62-22175-44	62-22175-44	62-22175-44	62-22175-45	62-22175-45	62-22175-46	62-22175-47

80% GAS FURNACE - ORIFICE SELECTION CHART - LP

CAUTION: Selection of the correct LP Orifice requires the altitude of the specific installation (ft.).

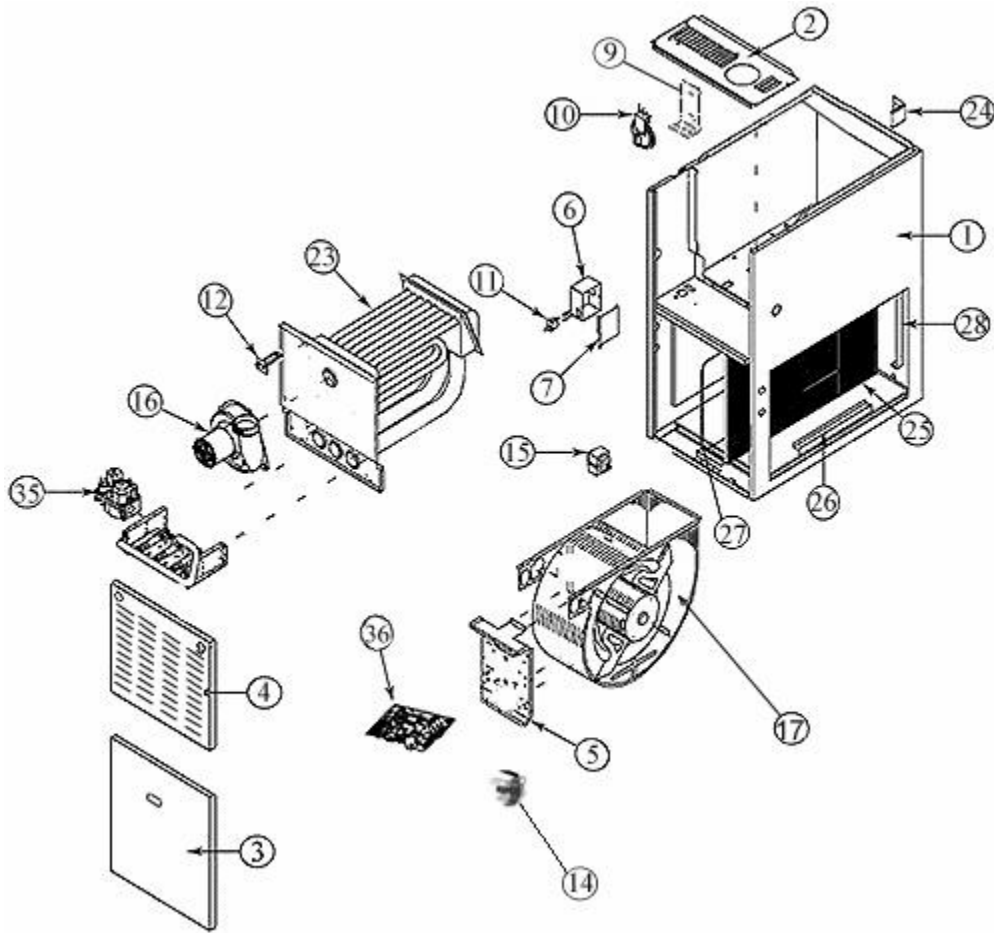
For detailed information and instructions for Orifice selection, see the Gas Furnace LP Conversion Kit Index 92-21519-59 and the latest edition of the National Fuel Gas Code Handbook (NFG), or the National Standard of Canada, Natural Gas and Propane Installation Code, CAN B149.1.

CAUTION: This information is provided for replacement purposes only. Conversion to LP or for operation at High Altitude should be done using the kit(s) specified on the product specification sheet for the unit.

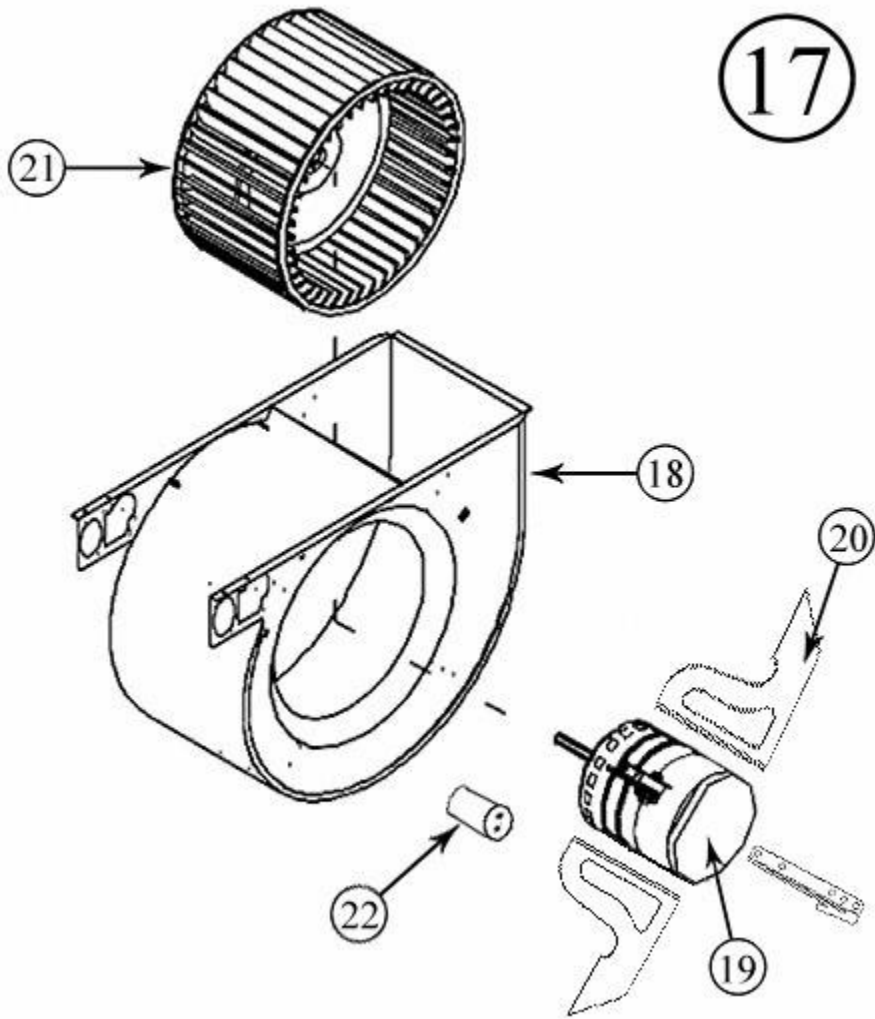
NOTE: This Orifice sizing chart is based on 20,000 BTU/HR per burner. Also, the chart is developed using the specified pressure setting of 10 in. water column instead of the 11.0 in water column used by the NFG and CANB149.1.

NOTE: Orifices supplied in the LP Conversion Kit are calculated and sized based on an altitude of 0 - 4000 ft.

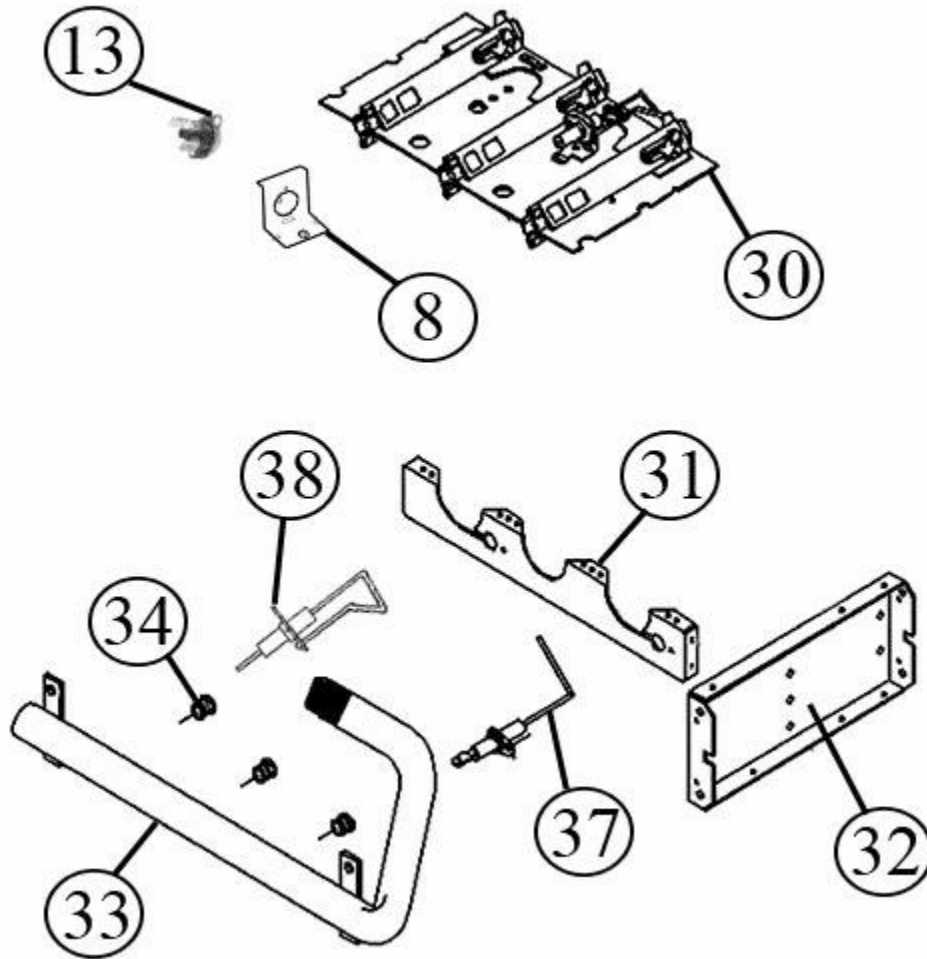
Elevation (ft.)	Orifice							
0 - 2000	62-22175-54							
2001 - 3000	62-22175-54							
3001 - 4000	62-22175-54							
4001 - 5000	62-22175-54							
5001 - 6000	62-22175-54							
6001 - 7000	62-22175-54							
7001 - 8000	62-22175-55							
8001 - 9000	62-22175-55							
9001 - 10000	62-22175-55							



Exploded View



Blower Assembly



Burner Assembly

NOTES

Stk It is recommended that stock be maintained for this part.

N/A Not Applicable

1 Order the specified LP Conversion Kit.

2 The pressure settings on the Pressure Switch were changed on F3702. For models manufactured before this Date Code, either switch may be used. For models manufactured after this Date Code, use the Pressure Switch specified based on the Date Code.

DISCLAIMER: This document is intended to provide general replacement parts information to aid qualified service personnel in the repair of these models. The complete Model and Serial Number of the unit under repair should be specified when selecting and ordering replacement parts. Specifications and illustrations are subject to change without notice. Document 92-42800-RGPK supersedes all previous parts lists for these models. See <http://www.rheempartslists.net/92-42800-RGPK> for the latest revision of this document. The manufacturer assumes no obligation for errors or omissions. Service personnel must verify the proper and safe operation of equipment after the replacement of any original components.