



RJKA

Parts List
19-May-2014



*This parts list is current as of the above revision date.
See <http://www.rheempartslists.net/92-42800-RJKA.pdf> for the current revision.*

Package Heat Pumps - Commercial

Table of Contents

Model Explanation	Page 3
Parts Numbers	
Panels - Miscellaneous	Page 4
Electrical Group	Page 5
Fan Group	Page 5
Blower Group - Direct Drive	Page 6
Blower Assembly - Belt Drive	Page 7
Blower Motor Group - Belt Drive	Page 8
Blower Motor Mount - Belt Drive	Page 9
Coil Parts	Page 10
Compressor Group	Page 11
Heater Kits	Page 12
Accessories	Page 13
Drawings/Photographs	
Exploded View	Page 14
Control Box	Page 15
Blower Parts - Direct Drive	Page 15
Blower Parts - Belt Drive	Page 16
Blower Mounting - Date Code F4897 or Before	Page 17
Blower Mounting - Date Codes F4897 - F4298	Page 17
Blower Mounting - Date Codes F4298 - F2004	Page 17
Blower Mounting - Date Code F2004 or After	Page 18
Coil Group Cut-away View	Page 19
Evaporator Coil - Filter Parts	Page 19
Freeze Stat Control - TXV	Page 20
Compressor - Refrigeration Group	Page 20
Notes/Disclaimer	Page 21

MODEL NUMBER EXPLANATION

R	J	K	A	-	A	0	3	6	J	K	0	1	0
1	2	3	4		5		6		7	8		9	

- | | |
|---|---|
| <p>1 TRADE NAME</p> <p>2 J = PACKAGE HEAT PUMP</p> <p>3 EFFICIENCY DESIGNATION
K = Standard Efficiency (10 SEER)
M = High Efficiency (12 SEER)</p> <p>4 DESIGN SERIES
A = 1st Design</p> <p>5 TECHNICAL VARIATIONS</p> <p>6 COOLING CAPACITY (BTU/HR)
036 = 36,000
042 = 42,000
048 = 48,000
060 = 60,000</p> | <p>7 ELECTRICAL DESIGNATION
J = 208-230/1/60
C = 208-230/3/60
D = 460/3/50
N = 380-415/3/50
P = 200-220/3/50
Y = 575/3/60</p> <p>8 DRIVE PACKAGE
K = Direct Drive
L = Belt Drive
M = Belt Drive - High Static</p> <p>9 HEAT DESIGNATION - (ELECTRIC HEAT)
000 = No Resistance Heat
006 = 6 KW
010 = 10KW
012 = 12 KW
015 = 15 KW
020 = 20 KW
021 = 20 KW</p> |
|---|---|

SERIAL NUMBER EXPLANATION

1	2	3	4	F	0	5	9	6	0	0	0	0	1
	1			2		3		4				5	

- 1 COMPRESSOR IDENTIFICATION NUMBER**
- 2 PRODUCTION LOCATION**
F = Fort Smith, AR
- 3 WEEK OF PRODUCTION**
- 4 YEAR OF PRODUCTION**
- 5 PRODUCTION NUMBER**

No.	Notes	MODEL TECHNICAL VARIATION COOLING CAPACITY	RJKA- A 036-060
PANELS, MISCELLANEOUS PARTS			
1		Base Rail - Side (2)	AE-58900-01
2		Base Rail - Condenser End	AE-58901-01
3		Base Rail - Evaporator End	AE-58902-01
4		Outdoor Coil Base Pan	AS-59051-01
5		Indoor Coil Base Pan	AS-58910-01
6		Condenser Bulkhead (Does not include Limit Baffle or Tube Support Angles)	AS-59126-02
7		Shield (Covers opening on the Condenser Bulkhead Assembly)	AS-59152-01
8		Blower Bulkhead (Does not include Tube Support Angle, Blower Extension, or Insulation Retainer)	AS-59129-01
9		Blower Extension - Front	AE-58928-01
10		Blower Extension - End	AE-58928-02
11		Cover Plate (On the Blower Extension - Front to cover the Limit Control opening)	AE-76216-01
		Insulation Retainer	AE-59059-01
12		Wire Chase	AS-58927-01
13		Corner Post (2)	AE-58965-01
15		Louvered Panel - Small	See Accessories
16		Louvered Panel - Long	See Accessories
17		Louvered Panel (Square)	See Accessories
18		Supply/Return Panels (2)	AS-58992-01
19		Rear Panel (Includes Insulation, Filler Panel, and Stripping)	AS-58976-01
20		Filler Panel	AE-58974-01
		Filler Panel Stripping	AE-58897-10
21		Blower/Filter Access Panels (2)	AS-58990-01
22		Post - Left End	AS-58973-01
23		Front Panel	AS-59132-01
24		Electric Heat Access Panel	AS-59121-02
25		Compressor Access Panel	AE-58983-02
26		Power Entry Panel	AE-58968-03
27		Front Panel	AE-58967-01
28		Indoor Coil Top Panel	AS-58979-01
29		Condenser Top Panel	AS-58982-01
30		Motor Mounting Plate	AE-58109-02
31		Wire Grille	95-22758-05
32		Wire Grille Cap	AE-58110-02
33		Control Box (w/o components)	AS-59039-01

No.	Notes	MODEL TECHNICAL VARIATION ELECTRICAL DESIGNATION	RJKA- A J	RJKA- A C	RJKA- A D	RJKA- A N
ELECTRICAL GROUP						
CONTROL BOX COMPONENTS (Items 35,36, 38-46):						
38	Stk	Defrost Control	47-21776-06	47-21776-06	47-21776-06	47-21776-06
39		Blower Relay	42-25104-06	42-25104-06	42-25104-06	42-25104-06
40	Stk	Defrost Relay	42-21786-06	42-21786-06	42-21786-06	42-21786-06
41	Stk	Blower Time Delay Relay	42-21593-03	42-21593-03	42-21593-03	42-21593-03
42		Blower Contactor - Belt Drive	N/A	42-25103-01	42-25103-01	42-25103-01
43		Compressor Time Delay	See Compressor Group			
44		Compressor Contactor	42-25101-03	42-25103-01	42-25103-01	42-25103-01
35A		Capacitor (Dual Round - Compressor/Fan)	See Compressor Group			
35B		Capacitor - Fan Motor	See Fan Motor Group			
45	Stk	Control Transformer	46-23600-01	46-23600-01	46-23600-02	46-23115-06
46	Stk	Terminal Block	45-23591-01	45-23591-01	45-23591-01	45-23591-01
47	Stk	Defrost Sensor	47-23136-02	47-23136-02	47-23136-02	47-23136-02
	Stk	Low Ambient Control	47-21465-02	47-21465-02	47-21465-02	47-21465-02
	Stk	Low Pressure Control	47-21466-01	47-21466-01	47-21466-01	47-21466-01
48	Stk	High Pressure Control	47-21604-01	47-21604-01	47-21604-01	47-21604-01
49	Stk	Freeze Stat	47-23683-01	47-23683-01	47-23683-01	47-23683-01

No.	Notes	MODEL TECHNICAL VARIATION ELECTRICAL DESIGNATION	RJKA- A P	RJKA- A Y		
ELECTRICAL GROUP						
CONTROL BOX COMPONENTS (Items 35,36, 38-46):						
38	Stk	Defrost Control	47-21776-06	47-21776-06		
39		Blower Relay	42-25104-06	42-25104-06		
40	Stk	Defrost Relay	42-21786-06	42-21786-06		
41	Stk	Blower Time Delay Relay	42-21593-03	42-21593-03		
42		Blower Contactor - Belt Drive	42-25103-01	42-25103-01		
43		Compressor Time Delay	See Compressor Group			
44		Compressor Contactor	42-25103-01	42-25103-01		
35A		Capacitor (Dual Round - Compressor/Fan)	See Compressor Group			
35B		Capacitor - Fan Motor	See Fan Motor Group			
45	Stk	Control Transformer	46-23600-01	46-23600-02		
46	Stk	Terminal Block	45-23591-01	45-23591-01		
47	Stk	Defrost Sensor	47-23136-02	47-23136-02		
	Stk	Low Ambient Control	47-21465-02	47-21465-02		
	Stk	Low Pressure Control	47-21466-01	47-21466-01		
48	Stk	High Pressure Control	47-21604-01	47-21604-01		
49	Stk	Freeze Stat	47-23683-01	47-23683-01		

No.	Notes	MODEL TECHNICAL VARIATION COOLING CAPACITY ELECTRICAL DESIGNATION	RJKA- A 036-060 J	RJKA- A 036-060 C/P	RJKA- A 036-060 D/N	RJKA- A 036-060 Y
FAN GROUP						
34	Stk	Fan Motor	51-42179-01	51-42179-01	51-42180-01	51-42180-02
35B	Stk	Capacitor - Fan Motor	N/A	43-25134-04	43-25134-04	43-25134-03
36		Capacitor Adaptor Plate	N/A	AE-54609-02	AE-54609-02	AE-54609-02
37	Stk	Fan Blade	70-19897-01	70-19897-01	70-19897-01	70-19897-01

No.	Note	MODEL TECHNICAL VARIATION COOLING CAPACITY ELECTRICAL DESIGNATION DRIVE PACKAGE	RJKA- A 036 J K	RJKA- A 036 C K	RJKA- A 036 D K	RJKA- A 042 J K	RJKA- A 042 C K	RJKA- A 042 D K
BLOWER GROUP - DIRECT DRIVE)								
50	Stk	Blower Assembly - Direct Drive	AS-59050-03	AS-59050-03	AS-59050-09	AS-59050-03	AS-59050-03	AS-59050-09
51		Housing	AS-58944-01	AS-58944-01	AS-58944-01	AS-58944-01	AS-58944-01	AS-58944-01
52	Stk	Wheel	70-23110-30	70-23110-30	70-23110-30	70-23110-30	70-23110-30	70-23110-30
53		Cut-Off	AE-64401-05	AE-64401-05	AE-64401-05	AE-64401-05	AE-64401-05	AE-64401-05
54	Stk	Blower Motor	51-23679-01	51-23679-01	51-23679-02	51-23679-01	51-23679-01	51-23679-02
55	Stk	Capacitor - Blower Motor	43-100496-12	43-100496-12	43-100496-12	43-100496-12	43-100496-12	43-100496-12
56		Motor Band	70-19927-01	70-19927-01	70-19927-01	70-19927-01	70-19927-01	70-19927-01
57		Motor Mounting Arm (3)	70-19929-02	70-19929-02	70-19929-02	70-19929-02	70-19929-02	70-19929-02
58		Blower Support	AE-58950-02	AE-58950-02	AE-58950-02	AE-58950-02	AE-58950-02	AE-58950-02
BLOWER GROUP - DIRECT DRIVE)								
No.	Note	MODEL TECHNICAL VARIATION COOLING CAPACITY ELECTRICAL DESIGNATION DRIVE PACKAGE	RJKA- A 048 J K	RJKA- A 048 C K	RJKA- A 048 D K	RJKA- A 060 J K	RJKA- A 060 C K	RJKA- A 060 D K
BLOWER GROUP - DIRECT DRIVE)								
50	Stk	Blower Assembly - Direct Drive	AS-59050-03	AS-59050-03	AS-59050-09	AS-59050-06	AS-59050-06	AS-59050-11
51		Housing	AS-58944-01	AS-58944-01	AS-58944-01	AS-58944-01	AS-58944-01	AS-58944-01
52	Stk	Wheel	70-23110-30	70-23110-30	70-23110-30	70-23110-30	70-23110-30	70-23110-30
53		Cut-Off	AE-64401-05	AE-64401-05	AE-64401-05	AE-64401-05	AE-64401-05	AE-64401-05
54	Stk	Blower Motor	51-23679-01	51-23679-01	51-23679-02	51-23555-02	51-23555-02	51-23555-03
55	Stk	Capacitor - Blower Motor	43-100496-12	43-100496-12	43-100496-12	43-20847-17	43-20847-17	43-100496-12
56		Motor Band	70-19927-01	70-19927-01	70-19927-01	70-19927-01	70-19927-01	70-19927-01
57		Motor Mounting Arm (3)	70-19929-02	70-19929-02	70-19929-02	70-19929-02	70-19929-02	70-19929-02
58		Blower Support	AE-58950-02	AE-58950-02	AE-58950-02	AE-58950-02	AE-58950-02	AE-58950-02

No.	Notes	MODEL TECHNICAL VARIATION COOLING CAPACITY ELECTRICAL DESIGNATION DRIVE PACKAGE	RJKA-	RJKA-	RJKA-	RJKA-
			A 036/048 J/C/D/Y L	A 060 J/C/D/Y L	A 036/060 J/C/D/Y M	A 036/060 N/P L/M
BLOWER ASSEMBLY - BELT DRIVE (Before F2004)						
59	Stk	Blower Assembly (w/o Motor, Belt, and Sheaves)	AS-59056-03	AS-59056-04	AS-59056-04	AS-59056-04
60		Housing	AS-58944-01	AS-58944-01	AS-58944-01	AS-58944-01
61		Bearing Frame Tri-Arm (2)	70-41723-03	70-41723-03	70-41723-03	70-41723-03
62	Stk	Ball Bearing and Cushion (2)	70-41722-03	70-41722-03	70-41722-03	70-41722-03
63	Stk	Blower Shaft	70-21933-02	70-21933-02	70-21933-02	70-21933-02
64	Stk	Fixed Pitch Sheave	71-21932-04	71-21932-03	71-21932-03	71-21932-03
65		Blower Support - Left (Housing to Evaporator Coil)	AE-58950-02	AE-58950-02	AE-58950-02	AE-58950-02
66	Stk	Wheel	70-23589-01	70-23589-01	70-23589-01	70-23589-01
67		Cut-Off	AE-64401-05	AE-64401-05	AE-64401-05	AE-64401-05
71		Blower Motor	See Blower Motor Group - Belt Drive			
72		Variable Pitch Sheave	See Blower Motor Group - Belt Drive			
73		Belt	See Blower Motor Group - Belt Drive			

No.	Notes	MODEL TECHNICAL VARIATION COOLING CAPACITY ELECTRICAL DESIGNATION DRIVE PACKAGE	RJKA-	RJKA-	RJKA-	RJKA-
			A 036-048 J/C/D/Y L	A 060 J/C/D/Y L	A 036-060 J/C/D/Y M	A 036/060 N/P L/M
BLOWER ASSEMBLY - BELT DRIVE (After F2004)						
59	Stk	Blower Assembly (w/o Motor, Belt, and Sheaves)	AS-101336-01	AS-101336-05	AS-101336-05	AS-101336-05
60		Housing	AS-101341-01	AS-101341-01	AS-101341-01	AS-101341-01
61		Bearing Frame Tri-Arm (2)	70-41723-03	70-41723-03	70-41723-03	70-41723-03
62	Stk	Ball Bearing and Cushion (2)	70-41911-01	70-41911-01	70-41911-01	70-41911-01
63	Stk	Blower Shaft	70-21933-02	70-21933-02	70-21933-02	70-21933-02
64	Stk	Fixed Pitch Sheave	71-21932-04	71-21932-03	71-21932-03	71-21932-03
65		Blower Support - Left (Housing to Evaporator Coil)	AE-58950-02	AE-58950-02	AE-58950-02	AE-58950-02
66	Stk	Wheel	70-23589-01	70-23589-01	70-23589-01	70-23589-01
67		Cut-Off	AE-64401-05	AE-64401-05	AE-64401-05	AE-64401-05
71		Blower Motor	See Blower Motor Group - Belt Drive			
72		Variable Pitch Sheave	See Blower Motor Group - Belt Drive			
73		Belt	See Blower Motor Group - Belt Drive			

No.	Notes	MODEL TECHNICAL VARIATION COOLING CAPACITY ELECTRICAL DESIGNATION DRIVE PACKAGE	RJKA- A 036/042 C/D L	RJKA- A 048 C/D L	RJKA- A 060 C/D L	RJKA- A 060 J L		
BLOWER MOTOR GROUP - BELT DRIVE (Before F2004)								
71	Stk	Blower Motor	51-42579-01	51-42579-01	51-21912-01	51-23571-03		
72	Stk	Variable Pitch Sheave	71-40427-30	71-40427-29	71-40427-29	71-40427-29		
73	Stk	Belt - On or before F4298	71-40235-40	71-40235-41	71-40235-39	71-40235-39		
73	Stk	Belt - After F4298	71-40235-40	71-40235-40	71-40235-40	71-40235-40		

No.	Notes	MODEL TECHNICAL VARIATION COOLING CAPACITY ELECTRICAL DESIGNATION DRIVE PACKAGE	RJKA- A 036/042 C/D L	RJKA- A 048 C/D L	RJKA- A 060 C/D L	RJKA- A 060 J L		
BLOWER MOTOR GROUP - BELT DRIVE (On or after F2004)								
71	Stk	Blower Motor	51-42579-01	51-42579-01	51-21909-01	51-23571-03		
72	Stk	Variable Pitch Sheave	71-40427-30	71-40427-29	71-40427-29	71-40427-29		
73	Stk	Belt	71-40235-43	71-40235-43	71-40235-42	71-40235-42		

No.	Notes	MODEL TECHNICAL VARIATION COOLING CAPACITY ELECTRICAL DESIGNATION DRIVE PACKAGE	RJKA- A 036/042 C/D M	RJKA- A 048 C/D M	RJKA- A 060 C/D M	RJKA- A 036/042 N/P L	RJKA- A 048 N/P L	RJKA- A 060 N/P L
BLOWER MOTOR GROUP - BELT DRIVE (Before F2004)								
71	Stk	Blower Motor	51-21912-01	51-21912-01	51-41936-01	51-21912-01	51-21912-01	51-41936-01
72	Stk	Variable Pitch Sheave	71-40427-25	71-40427-25	71-40427-25	71-40427-29	71-40427-25	71-40427-25
73	Stk	Belt - On or before F4298	71-40235-39	71-40235-39	71-40235-39	71-40235-39	71-40235-40	71-40235-40
73	Stk	Belt - After F4298	71-40235-40	71-40235-40	71-40235-40	71-40235-40	71-40235-40	71-40235-40

No.	Notes	MODEL TECHNICAL VARIATION COOLING CAPACITY ELECTRICAL DESIGNATION DRIVE PACKAGE	RJKA- A 036/042 C/D M	RJKA- A 048 C/D M	RJKA- A 060 C/D M	RJKA- A 036/042 N/P L	RJKA- A 048 N/P L	RJKA- A 060 N/P L
BLOWER MOTOR GROUP - BELT DRIVE (On or after F2004)								
71	Stk	Blower Motor	51-21909-01	51-21909-01	51-41936-01	51-21909-01	51-21909-01	51-41936-01
72	Stk	Variable Pitch Sheave	71-40427-25	71-40427-25	71-40427-25	71-40427-29	71-40427-25	71-40427-25
73	Stk	Belt	71-40235-43	71-40235-43	71-40235-43	71-40235-42	71-40235-43	71-40235-43

No.	Notes	MODEL TECHNICAL VARIATION COOLING CAPACITY ELECTRICAL DESIGNATION DRIVE PACKAGE	RJKA- A 036 Y L	RJKA- A 060 Y M				
BLOWER MOTOR GROUP - BELT DRIVE (Before F2004)								
71	Stk	Blower Motor	51-22241-02	51-22241-02				
72	Stk	Variable Pitch Sheave	71-40427-30	71-40427-25				
73	Stk	Belt - On or before F4298	71-40235-40	71-40235-39				
73	Stk	Belt - After 4298	71-40235-40	71-40235-40				

No.	Notes	MODEL TECHNICAL VARIATION COOLING CAPACITY ELECTRICAL DESIGNATION DRIVE PACKAGE	RJKA- A 036 Y L	RJKA- A 060 Y M				
BLOWER MOTOR GROUP - BELT DRIVE (On or after F2004)								
71	Stk	Blower Motor	51-22241-02	51-22241-02				
72	Stk	Variable Pitch Sheave	71-40427-30	71-40427-25				
73	Stk	Belt	71-40235-43	71-40235-43				

No.	Notes	MODEL TECHNICAL VARIATION	RJKA All
BLOWER MOTOR MOUNTING - BELT DRIVE (Before F4897)			
87		MOTOR MOUNTING (WITHOUT GROMMETS):	
87A		Right Blower Support	AE-59060-01
87B		Motor Mounting Assembly (Includes items listed below)	AS-59058-01
87C		Motor Mounting Base	AE-59052-01
87D		Motor Mounting Top	AS-59054-01
87E		Tread Plate	63-23587-01
87F		Bolt	63-19919-06

No.	Notes	MODEL TECHNICAL VARIATION	RJKA All
BLOWER MOTOR MOUNTING - BELT DRIVE (F4897-F4298)			
88		MOTOR MOUNTING (WITH 6 GROMMETS):	
88A		Right Blower Support	AE-59060-01
88B		Motor Mounting Assembly (Includes items listed below)	AS-59058-02
		Motor Support Channel (Under Adjusting Plate)	AE-59341-01
88C		Motor Adjusting Plate	AE-59052-02
88D		Motor Mounting Top	AS-59054-01
88E		Treaded Plate	63-23587-01
88F		Motor Adjustment Bracket	AE-59340-01
88G		Bolt	63-19919-06
		Grommet (6)	56-18518-04
		Bolts (6)	63-20072-03

No.	Notes	MODEL TECHNICAL VARIATION	RJKA All
BLOWER MOTOR MOUNTING - BELT DRIVE (F4298-F2004)			
89		MOTOR MOUNTING (WITH 4 GROMMETS):	
89A		Right Blower Support	AE-59060-02
89B		Right Blower Support Bracket	AE-59174-01
89C		Motor Mounting Assembly (Includes items listed below)	AS-59058-03
89D		Motor Mounting Base	AE-59052-03
89E		Motor Mounting Top	AS-59054-01
89F		Threaded Plate	63-23587-01
89G		Grommet	56-18518-04
89H		Bolt	63-19919-06

No.	Notes	MODEL TECHNICAL VARIATION	RJKA All
BLOWER MOTOR MOUNTING - BELT DRIVE (After F2004))			
90A		Blower Bracket	AE-101124-01
90B		Blower Bracket (Drive side)	AE-101124-04
90C		Motor Mounting Assembly (Individual items not available)	AS-101340-01
90D		Grommet	56-18518-04
90E		Cross Brace	AE-101467-01

No.	Notes	MODEL TECHNICAL VARIATION COOLING CAPACITY	RJKA- A 036	RJKA- A 042	RJKA- A 048	RJKA- A 060
COIL GROUP						
EVAPORATOR COIL:						
74	Stk	Evaporator Coil - (Includes Metering Devices and Top Air Stop) - Before F2104	AS-59070-09	AS-59070-09	AS-59070-10	AS-59070-11
74	Stk	Evaporator Coil - (Includes Metering Devices and Top Air Stop) - On or After F2104	AS-59070-09	AS-59070-09	AS-59070-20	AS-59070-11
75	Stk	Flowcheck Distributor - Before F2104	61-104236-31	61-104236-31	61-26113-33	61-26113-34
75	Stk	Flowcheck Distributor - On or After F2104	61-104236-31	61-104236-31	61-104236-31	61-26113-34
	Stk	Flowcheck Piston Kit	61-23414-14	61-23414-14	61-23414-15	61-23414-17
		Charge Equalizer (2)	N/A	N/A	N/A	AE-56278-08
76		Top Air Stop	AE-58933-01	AE-58933-01	AE-58933-01	AE-58933-01
77		Top Coil Support	AE-58941-01	AE-58941-01	AE-58941-01	AE-58941-01
78	Stk	Indoor Coil Drain Pan	68-23559-01	68-23559-01	68-23559-01	68-23559-01
79	Stk	TXV	61-21922-64	61-21922-64	61-21922-65	61-21922-66
		Strainer - Insert (2)	83-25316-02	83-25316-02	83-25316-01	83-25316-01
		Filter Keeper	AE-59168-01	AE-59168-01	AE-59168-01	AE-59168-01
84		Filter Channels (3) - (Center is 2 Channels back-to-back)	AE-58934-01	AE-58934-01	AE-58934-01	AE-58934-01
85		Filter - Disposable 16 X 25 X 1 (2)	54-17531-10	54-17531-10	54-17531-10	54-17531-10
CONDENSER COIL:						
82	Stk	Condenser Coil	AS-59102-01	AS-59102-02	AS-59102-03	AS-59102-05
	Stk	Flowcheck Distributor	61-26113-05	61-26113-05	61-26113-05	61-26113-05
	Stk	Flowcheck Piston Kit	61-23414-14	61-23414-14	61-23414-15	61-23414-17
REFRIGERATION GROUP:						
80	Stk	Reversing Valve w/Coil - Before F4704	61-22880-83	61-22880-83	61-22880-83	61-22880-83
81	Stk	Solenoid Coil for Reversing Valve - Before F4704	61-22883-01	61-22883-01	61-22883-01	61-22883-01
80	Stk	Reversing Valve w/Coil - After F4704	61-101684-03	61-101684-03	61-101684-03	61-101684-03
81	Stk	Solenoid Coil for Reversing Valve - After F4704	61-101713-01	61-101713-01	61-101713-01	61-101713-01
		Wiring Harness - Reversing Valve	61-22882-01	61-22882-01	61-22882-01	61-22882-01

No.	Notes	MODEL TECHNICAL VARIATION COOLING CAPACITY ELECTRICAL DESIGNATION	RJKA- A 036 J	RJKA- A 042 J	RJKA- A 048 J	RJKA- A 060 J	RJKA- A 036 C	RJKA- A 042 C	RJKA- A 048 C	
COMPRESSOR GROUP										
		Compressor ID:	5568	5572	5576	5580	5569	5573	5577	
86	Stk	Compressor	55-23140-23S	55-23140-31S	55-23140-39S	55-23139-33S	55-23139-58S	55-23139-71S	55-23140-40	
35A	Stk	Capacitor - Fan/Compressor	43-23204-36	43-23204-36	43-26261-42	43-23204-30	N/A	N/A	N/A	
43	Stk	Time Delay Relay	See Accessories Group							
		Compressor ID:	5692	5626	5698	5627	5625	5695	5699	
86	Stk	Compressor	55-23141-23	55-23141-31	55-23141-39	55-21737-33S	55-21737-58S	55-21737-71	55-23141-40	
35A	Stk	Capacitor - Fan/Compressor		43-23204-36	43-23204-36	43-101665-30	N/A	N/A	N/A	
43	Stk	Time Delay Relay	See Accessories Group							

No.	Notes	MODEL TECHNICAL VARIATION COOLING CAPACITY ELECTRICAL DESIGNATION	RJKA- A 060 C	RJKA- A 036 D	RJKA- A 042 D	RJKA- A 048 D	RJKA- A 060 D	RJKA- A 036 N	RJKA- A 042 N	
COMPRESSOR GROUP										
		Compressor ID:	5581	5570	5574	5578	5582	5860	5863	
86	Stk	Compressor	55-23139-34S	55-23139-59S	55-23139-72S	55-23140-41S	55-23139-35S	55-23139-59S	55-21737-72	
43	Stk	Time Delay Relay	See Accessories Group							
		Compressor ID:	5702	5693	5696	5700	5703	5859	5864	
86	Stk	Compressor	55-21737-34S	55-21737-59S	55-21737-72	55-23141-41	55-21737-35S	55-21737-59S	55-23139-72S	
43	Stk	Time Delay Relay	See Accessories Group							

No.	Notes	MODEL TECHNICAL VARIATION COOLING CAPACITY ELECTRICAL DESIGNATION	RJKA- A 048 N	RJKA- A 060 N	RJKA- A 042 P	RJKA- A 048 P	RJKA- A 060 P	RJKA- A 036 Y	RJKA- A 060 Y	
COMPRESSOR GROUP										
		Compressor ID:	5868	5872	5861	5865	5870	5571	5583	
86	Stk	Compressor	55-23141-41	55-23139-35S	55-21737-71	55-23140-40	55-23139-34S	55-23139-60S	55-23139-36S	
43	Stk	Time Delay Relay	See Accessories Group							
		Compressor ID:	5867	5871	5862	5866	5869	5694	5704	
86	Stk	Compressor	55-23140-41S	55-21737-35S	55-23139-71S	55-23141-40	55-21737-34S	55-21737-60S	55-21737-36S	
43	Stk	Time Delay Relay	See Accessories Group							

No.	Notes	MODEL TECHNICAL VARIATION HEATING CAPACITY	RJKA- J 000	RJKA- J 006	RJKA- J 010	RJKA- J 011	RJKA- J 012	RJKA- J 015	RJKA- J 020
HEATER KITS									
		Heater Kit	N/A	RXJJ-A06J	RXJJ-A10J	RXJJ-A11J	RXJJ-A12J	RXJJ-A15J	RXJJ-A20J

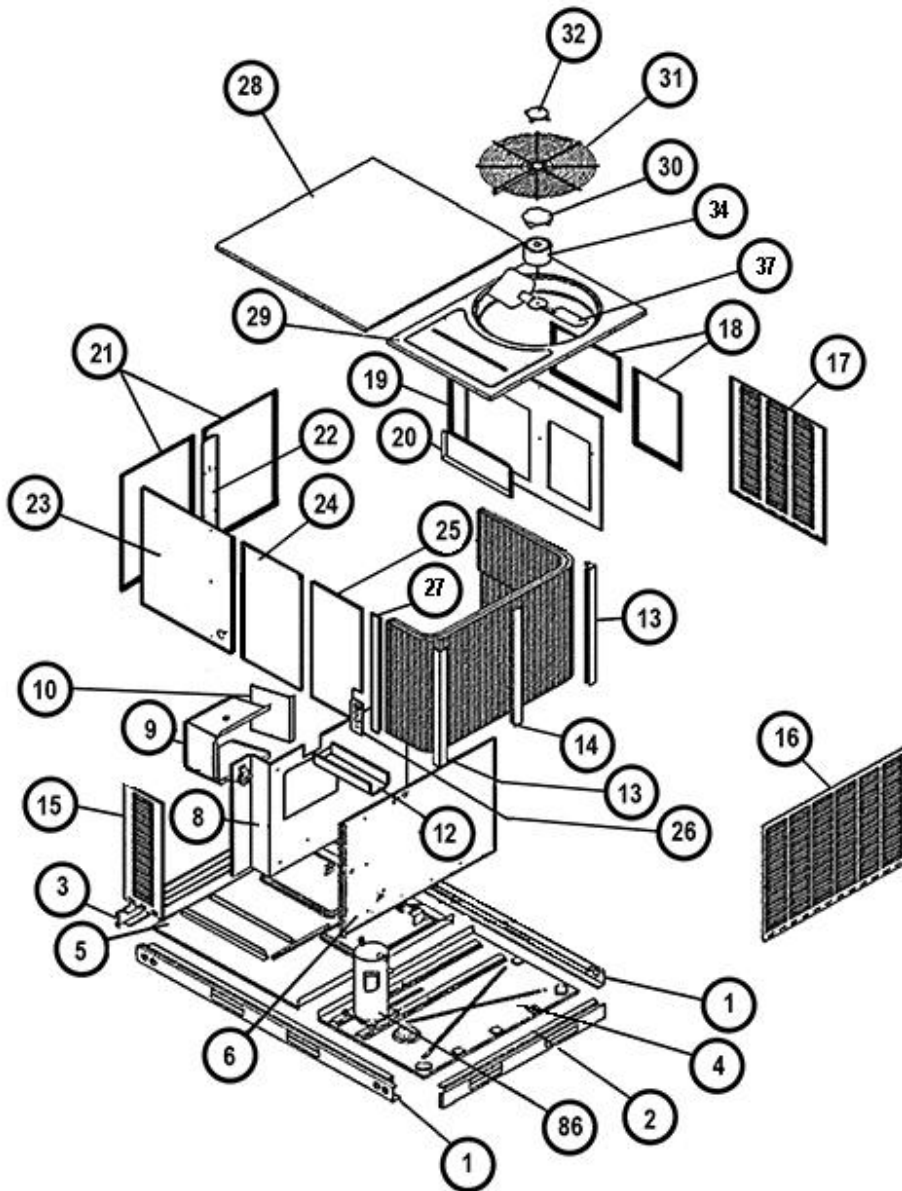
No.	Notes	MODEL TECHNICAL VARIATION HEATING CAPACITY	RJKA- J 021	RJKA- C/P 000	RJKA- C/P 006	RJKA- C/P 010	RJKA- C/P 011	RJKA- C/P 012	RJKA- C/P 015
HEATER KITS									
		Heater Kit	RXJJ-A21J	N/A	RXJJ-A06C	RXJJ-A10C	RXJJ-A11C	RXJJ-A12C	RXJJ-A15C

No.	Notes	MODEL TECHNICAL VARIATION HEATING CAPACITY	RJKA- C/P 020	RJKA- C/P 021	RJKA- C/P 024	RJKA- D/N 000	RJKA- D/N 006	RJKA- D/N 009	RJKA- D/N 010
HEATER KITS									
		Heater Kit	RXJJ-A20C	RXJJ-A21C	RXJJ-A24C	N/A	RXJJ-A06D	RXJJ-A09D	RXJJ-A10D

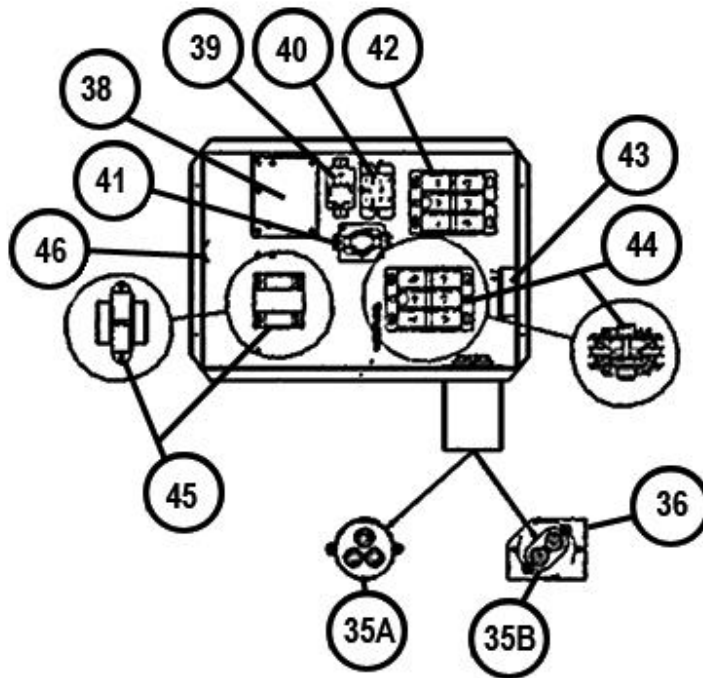
No.	Notes	MODEL TECHNICAL VARIATION HEATING CAPACITY	RJKA- D/N 011	RJKA- D/N 012	RJKA- D/N 015	RJKA- D/N 020	RJKA- D/N 021	RJKA- D/N 024	RJKA- Y 000
HEATER KITS									
		Heater Kit	RXJJ-A11D	RXJJ-A12D	RXJJ-A15D	RXJJ-A20D	RXJJ-A21D	RXJJ-A24D	N/A

No.	Notes	MODEL TECHNICAL VARIATION HEATING CAPACITY	RJKA- Y 015	RJKA- Y 020	RJKA- Y 024				
HEATER KITS									
		Heater Kit	RXJJ-A15Y	RXJJ-A20Y	RXJJ-A24Y				

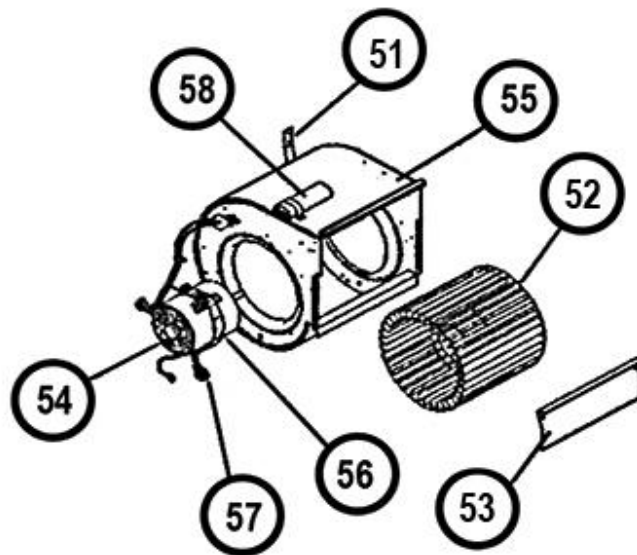
No.	Notes	MODEL TECHNICAL VARIATION	RJKA All
OPTIONS AND ACCESSORIES			
		Economizer - 3 Position	RXRE-CBA20
		Economizer - Fully Modulating Enthalpy - Downflow	RXRD-CBM10
		Economizer - 3 Position - Horizontal	RXRE-CCA30
		Economizer - Modulating - Horizontal	RXRD-CCM10
		Economizer - Downflow With Power Exhaust ("X" = Voltage J, C, D, N, P, Y)	RXRD-DB_M2
		Economizer - Outdoor Air Sensor Field Install	RXRD-EECM2
		Economizer - Single Enthalpy Field	RXRD-EECM3
		Economizer - Dual Enthalpy	RXRD-EECM4
		Fresh Air Damper (w/o Motor, Blade, Blade Seal)	RXRF-FBA1
		Fresh Air Damper (Including Motor, Blade, Blade Seal)	RXRF-FBB1
		Power Exhaust	RXRX-BFF04C
		Power Exhaust (Electrical Designation - C)	RXRX-BFF02C
		Power Exhaust (Electrical Designation - D)	RXRX-BFF02D
		Power Exhaust (Electrical Designation - Y)	RXRX-BFF02Y
		Fully Modulation Differential Kit	RXRD-CBD10
		Low Ambient Control Kit	RXRZ-A18
		Zero Degree Ambient Kit	RXPZ-C01
		Time Delay Relay Kit	RXMD-B01
		Low Pressure Control Kit	RXAC-A02
		High Pressure Control Kit	RXAB-A02
		Freeze Stat	47-23683-01
		Louver Panel Kit - Sizes 036-042 (Option 597)	RXRX-AAD01A
		Louver Panel Kit - Sizes 048-060 (Option 597)	RXRX-AAD01B



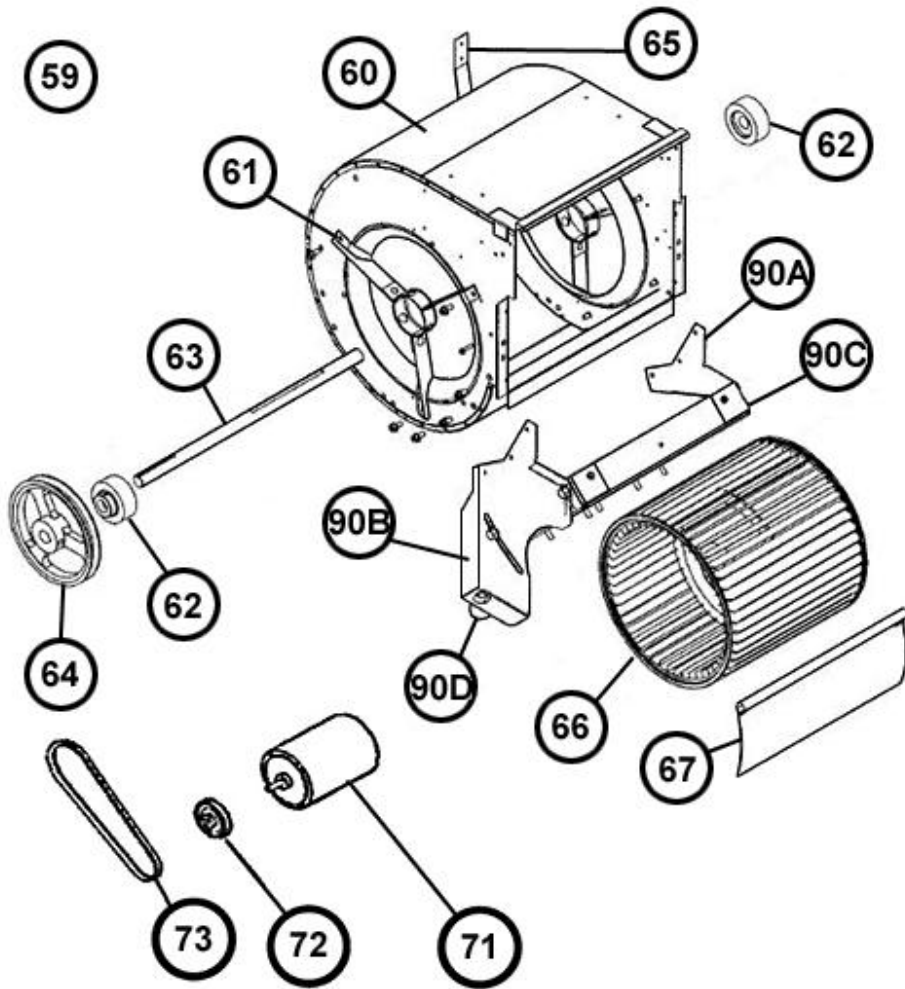
Exploded View



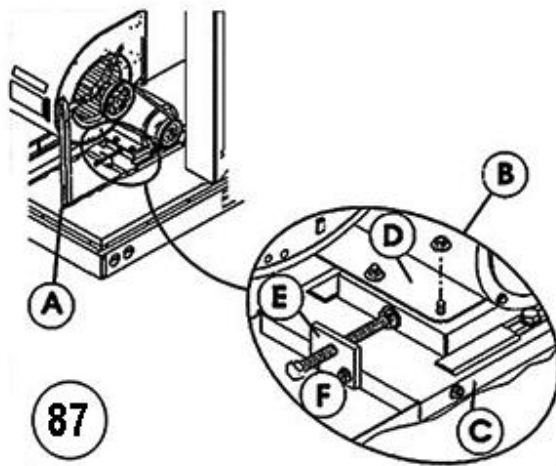
Control Box



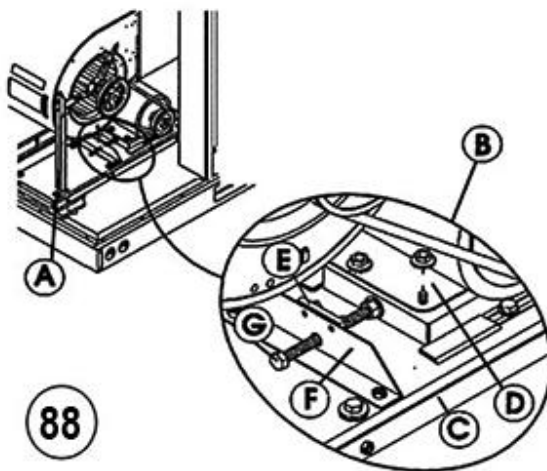
Blower Parts - Direct Drive



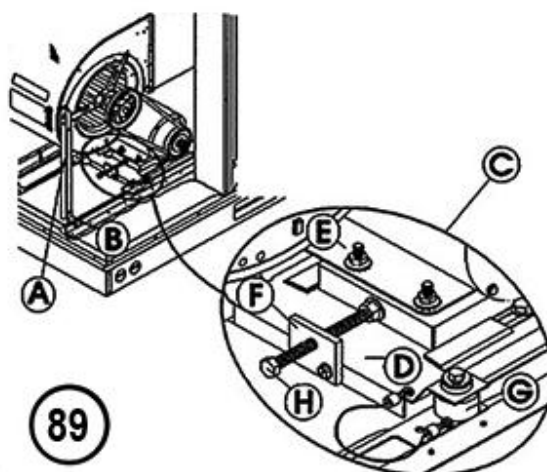
Blower Parts - Belt Drive



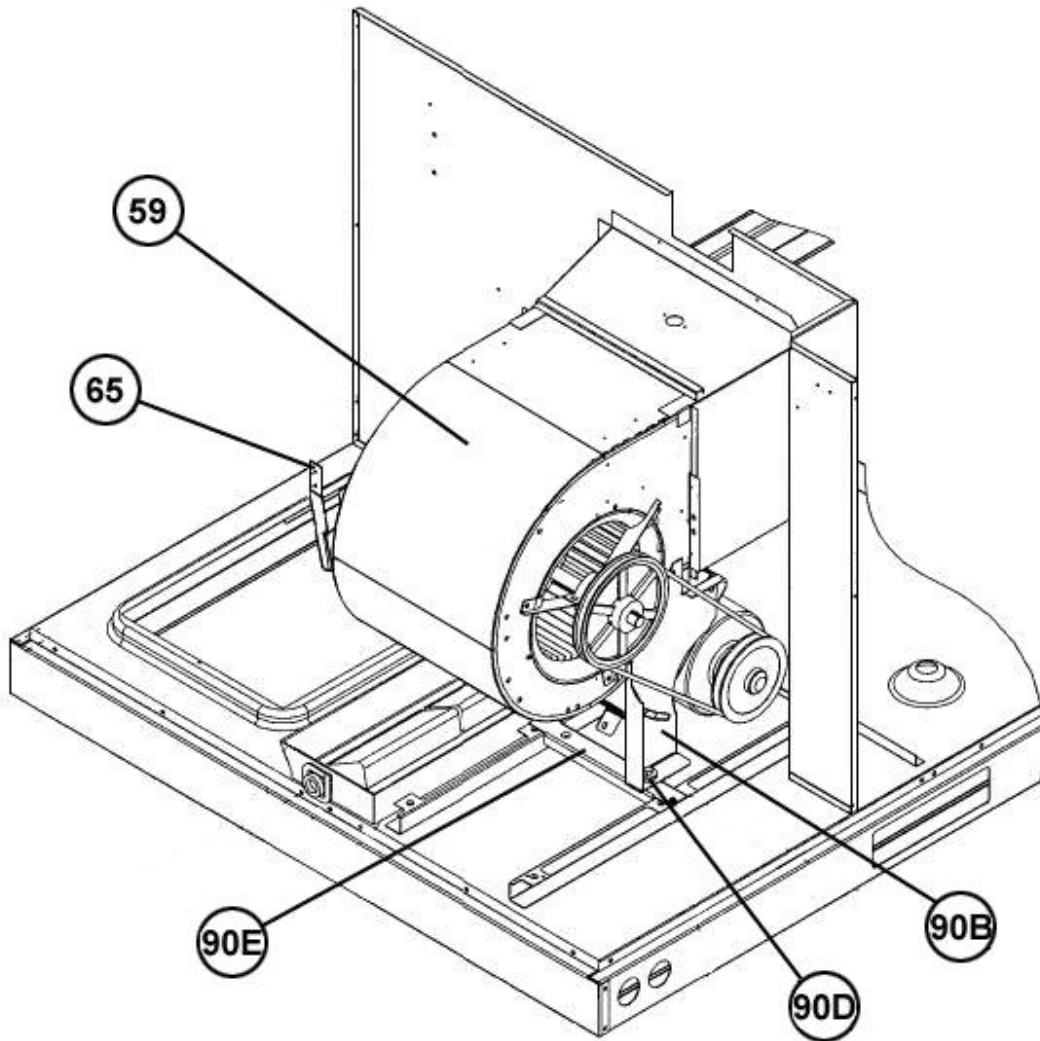
Blower Mounting - Date Code F4897 or Before



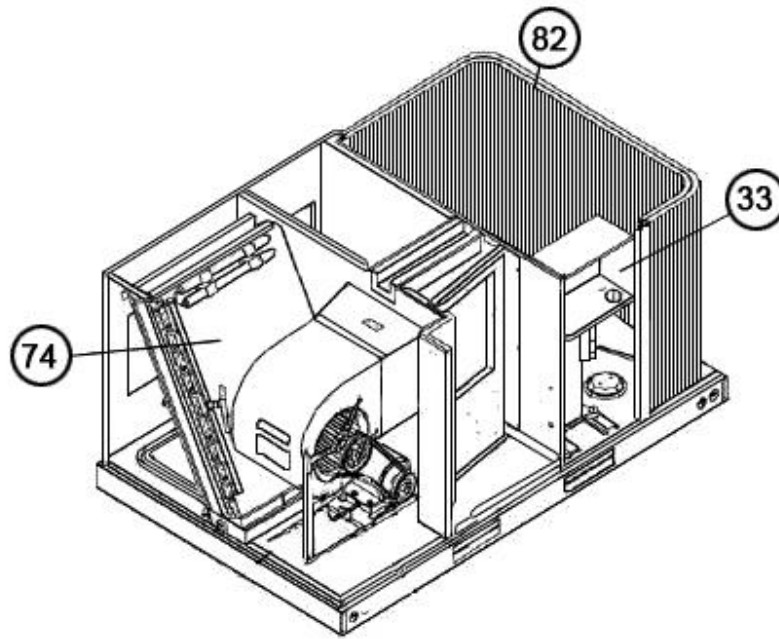
Blower Mounting - Date Codes F4897 - F4298



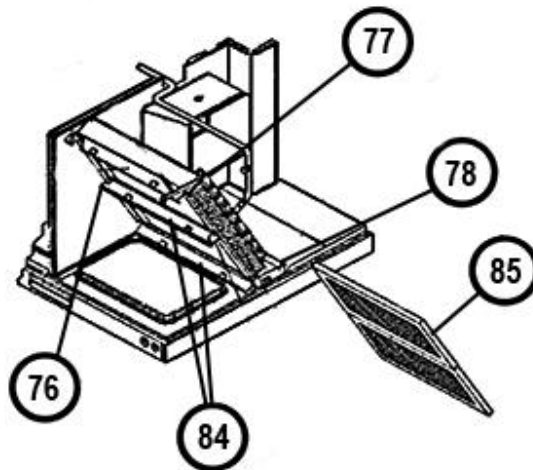
Blower Mounting - Date Codes F4298 - F2004



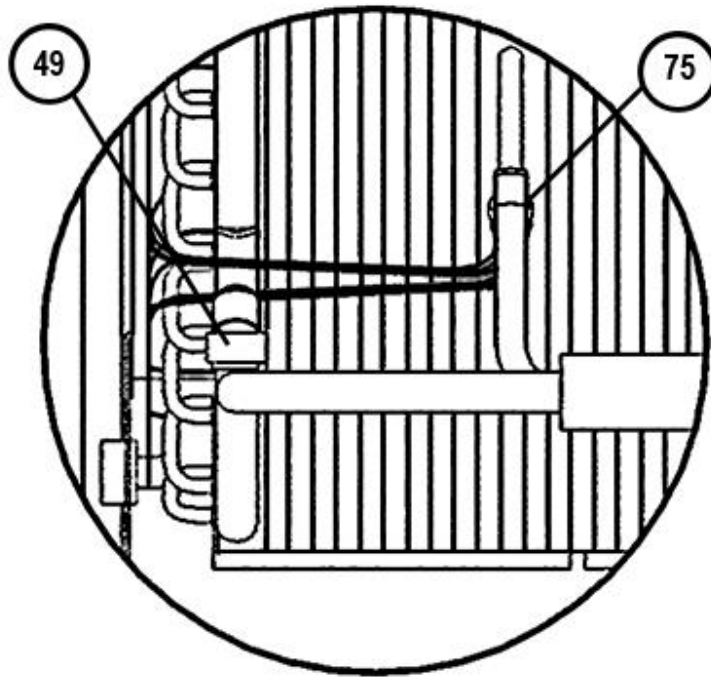
Blower Mounting - Date Code F2004 or After



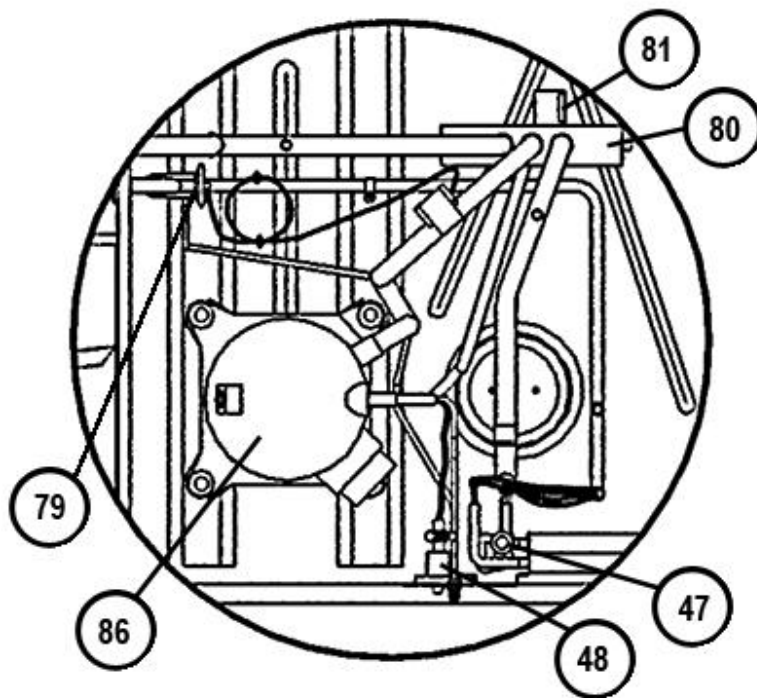
Coil Group Cut-away View



Evaporator Coil - Filter Parts



Freeze Stat Control - TXV



Compressor - Refrigeration Group

NOTES

Stk It is recommended that stock be maintained for this part.
N/A Not Applicable

DISCLAIMER: This document is intended to provide general replacement parts information to aid qualified service personnel in the repair of these models. The complete Model and Serial Number of the unit under repair should be specified when selecting and ordering replacement parts. Specifications and illustrations are subject to change without notice. Document 92-42800-RJKA supersedes all previous parts lists for these models. See <http://www.rheempartslists.net/92-42800-RJKA> for the latest revision of this document. The manufacturer assumes no obligation for errors or omissions. Service personnel must verify the proper and safe operation of equipment after the replacement of any original components.