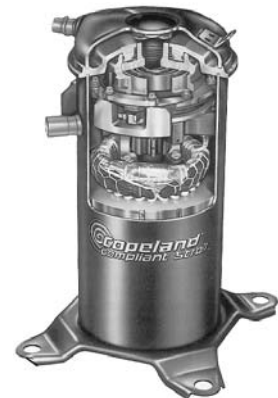
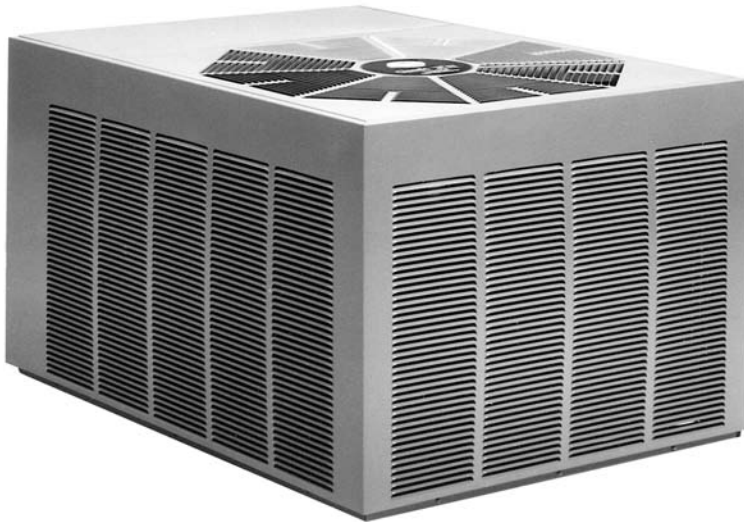




[-]AML

Parts List
Condensing Unit
Series L Sizes 024-060



First Production January 2000 ps

Form Number 92-24326-09-00

CATALOG TAB - CONDENSING UNITS



ORDER OF CONTENTS

Ordering, Stocking and Note Explanation	Page 3
Model and Serial Number Explanation	Page 4
Panels, Sheet Metal and Coil	Page 5
Fan Group	Page 5
Electric Group	Page 5
Compressor Group	Page 6
Refrigeration Group	Page 6
Accessory Kits/ Factory Options	Page 6

ORDERING, STOCKING AND NOTE EXPLANATIONS

Ordering Instructions:

When ordering a replacement part, be sure to read all notes and symbol notations on the parts list. In some cases, it is necessary to determine the unit style number and/or serial number in addition to the model number before selecting a replacement part. When ordering painted cabinet parts, the order **must specify** unit model number, serial number and paint color. Also, your order can be processed more rapidly if you show the part number and description. Once the product is out of current production, ordering such parts must be cleared with the Parts Department as price and availability will vary.

Replacement Parts Stocking Information:

See the current "List Price Book For Air Conditioning Parts" for individual Stock code information. As a general rule, most parts are in stock or have a short order period as long as the product is in current production. Once the product is out of current production, ordering such parts must be cleared with the Parts Department as price and availability will vary.

Note Explanation:

- cr** The original part number has been "cross-referenced" to an equal to or better than replacement part number.
- dna** The part **does not apply** / is not requoto the size indicated.
- new** This part was **new** to the List Price Book when the product was introduced.
- np** This part is not shown on the pictorial page [**no picture**].
- stk** This part should be **stocked**.

AIR CONDITIONING DIVISION
UNIVERSAL PARTS®
P.O. Box 17010
FORT SMITH, ARKANSAS 72917-7010
501-646-4311



MODEL NUMBER EXPLANATION

[] A M L - 024 J A Z OPT 011
 1 2 3 4 5 6 7 8 9

Position

- 1 Trade name
- 2 A = Condensing Unit
- 3 M = Type - 12 SEER
- 4 L = R410A Design Series
- 5 Nominal Cooling Capacity

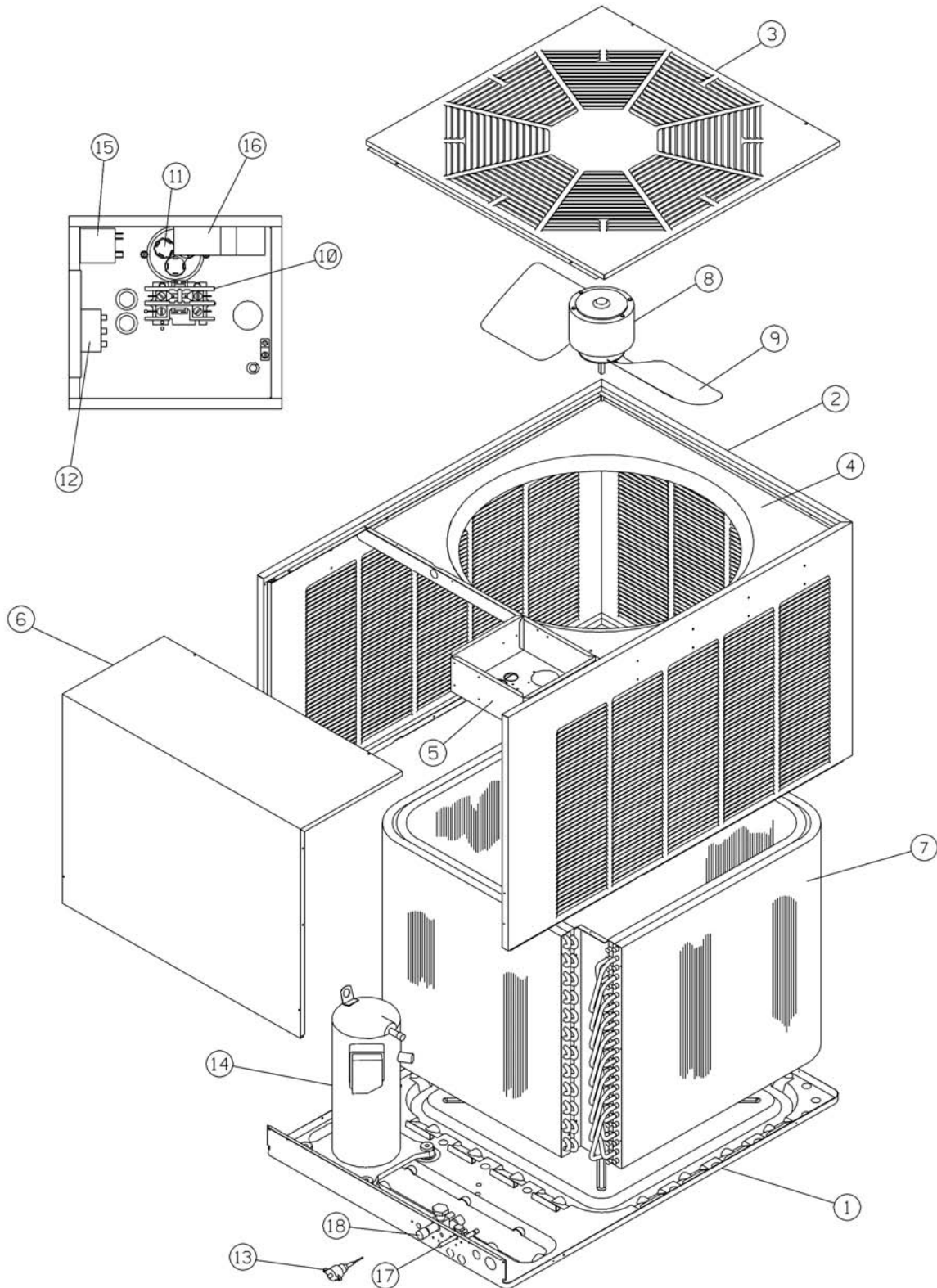
024	=	24,000 BTU/HR	[7.03kW]
030	=	30,000 BTU/HR	[8.79kW]
036	=	36,000 BTU/HR	[10.55kW]
042	=	42,000 BTU/HR	[12.31kW]
048	=	48,000 BTU/HR	[14.07kW]
060	=	60,000 BTU/HR	[17.58kW]
- 6 Electrical Designation
J = 208/230 Voltage 1 Phase
- 7 Design Variations
- 8 Compressor Type
Z = Copeland® Compliant Scroll Compressor
- 9 Optional Equipment Code

SERIAL NUMBER EXPLANATION

6573 M 30 00 99999
 A B C D E

Position

- A Compressor Identification Number
- B Production Location
M - Milledgeville, GA
- C Week of Production
- D Year of Production
- E Production Number



No.	MODEL COOLING CAPACITY	Note	[-]AML- 024	[-]AML- 030	[-]AML- 036	[-]AML- 042	[-]AML- 048	[-]AML- 060	
PANELS, SHEET METAL AND CONDENSING COIL PARTS									
1	Base Pan		AE-58426-02	AE-58426-02	AE-58426-03	AE-58426-03	AE-58426-03	AE-58426-03	
2	Cabinet		AE-58428-04	AE-58428-04	AE-58428-08	AE-58428-08	AE-58428-06	AE-58428-07	
3	Grille		AS-58470-02	AS-58470-02	AS-58470-03	AS-58470-03	AS-58470-03	AS-58470-03	
4	Venturi		AE-58427-06	AE-58427-06	AE-58427-08	AE-58427-08	AE-58427-09	AE-58427-08	
5	Control Box Less Components		AE-58432-01	AE-58432-01	AE-58432-01	AE-58432-01	AE-58432-01	AE-58432-01	
6	Access Panel		AE-58431-04	AE-58431-04	AE-58431-07	AE-58431-07	AE-58431-06	AE-90226-01	
7	Condenser Coil		AS-59385-03	AS-59385-03	AS-59388-03	AS-59388-03	AS-59363-01	AS-59429-01	

No.	MODEL COOLING CAPACITY ELECTRICAL DESIGN.	Note	[-]AML- 024 J	[-]AML- 030 J	[-]AML- 036 J	[-]AML- 042 J	[-]AML- 048 J	[-]AML- 060 J		
FAN GROUP										
8	Fan Motor:									
	1/5 HP, 208-230V, 1 Speed	CR	51-23055-11	51-23055-11						
	1/3 HP, 208-230V, 1 Speed	CR			51-23053-11	51-23053-11	51-23053-11	51-23053-11		
11	Fan Motor Run Capacitors - Oval		See Compressor Group for Dual Capacitor Part Number							
9	Fan Blade:									
	22" Dia., CCW, 21 Deg. Pitch	CR	70-21859-02	70-21859-02						
	24" Dia., CCW, 22 Deg. Pitch	CR			70-21859-03	70-21859-03	70-21859-03	70-21859-03		

No.	MODEL COOLING CAPACITY ELECTRICAL DESIGN.	Note	[-]AML- 024 J	[-]AML- 030 J	[-]AML- 036 J	[-]AML- 042 J	[-]AML- 048 J	[-]AML- 060 J		
ELECTRIC GROUP										
	Control Box Components:									
10	Contactors:									
	30 AMP/ 1 Pole	CR	42-25101-01	42-25101-01	42-25101-01	42-25101-01	42-25101-01			
	40 AMP/ 2 Pole	CR						42-25102-03		
11	Run Capacitor - Dual		See Compressor Group for Dual Capacitor Part Number							
13	High Pressure Control	new	47-26184-01	47-26184-01	47-26184-01	47-26184-01	47-26184-01	47-26184-01		
NP	Low Pressure Control	new	47-26185-01	47-26185-01	47-26185-01	47-26185-01	47-26185-01	47-26185-01		
	Factory Installed Options:									
12	Compressor Time Delay Relay		42-22655-02	42-22655-02	42-22655-02	42-22655-02	DNA	DNA		

No.	MODEL COOLING CAPACITY ELECTRICAL DESIGN. DESIGN VARIATION COMPRESSOR TYPE	Note	[-]AML- 024 J A Z	[-]AML- 030 J A Z	[-]AML- 036 J A Z	[-]AML- 042 J A Z	[-]AML- 048 J A Z	[-]AML- 060 J A Z	
-----	--	------	-------------------------------	-------------------------------	-------------------------------	-------------------------------	-------------------------------	-------------------------------	--

COMPRESSOR GROUP -

The **Original Compressors** Listed are the primary parts used on these units. Other Compressors may sometimes be used. The **Replacement Compressors** listed below should be used to replace the **Original Compressors**. If your unit has a different compressor, refer to your **Compressor ID Sheets (NSAC-42)**

	Original Compressor ID		6573	6574	6575	6576	6577	6578	
14	Compressor:								
	Original		55-23156-01	55-23156-02	55-23156-03	55-23156-05	55-23156-06	55-23156-07	
	Replacement		55-23156-01s	55-23156-02s	55-23156-03s	55-23156-05s	55-23156-06s	55-23156-07s	
11	Dual Run Capacitor - Round:								
	40/3/370 MFD/Volts		43-23204-07						
	45/3/370 MFD/Volts			43-23204-34					
	45/5/370 MFD/Volts				43-23204-41				
	55/5/370 MFD/Volts					43-23204-17			
	60/5/370 MFD/Volts						43-23204-19		
	60/5/440 MFD/Volts							43-23204-29	
NP	Start Components:								
	Factory Installed - Standard								
15	Start Relay						42-18282-09	42-18282-09	
16	Start Capacitor						43-17075-04	43-17075-04	
	Factory Installed - Option 012								
15	Start Relay		42-18282-09	42-18282-09	42-18282-09	42-18282-09			
16	Start Capacitor		43-17075-04	43-17075-04	43-17075-04	43-17075-04			
	Field Installed Accessory:								
	Start Kit		SK-A1-1	SK-A1-1	SK-A1-1	SK-A1-1	SK-A1-1	SK-A1-1	
15	Start Relay		42-18282-09	42-18282-09	42-18282-09	42-18282-09	42-18282-09	42-18282-09	
16	Start Capacitor		43-17075-04	43-17075-04	43-17075-04	43-17075-04	43-17075-04	43-17075-04	

No.	MODEL COOLING CAPACITY	Note	[-]AML- 024	[-]AML- 030	[-]AML- 036	[-]AML- 042	[-]AML- 048	[-]AML- 060	
-----	---------------------------	------	----------------	----------------	----------------	----------------	----------------	----------------	--

REFRIGERATION SPECIALITES & MISCELLANEOUS PARTS

	Service Valves:								
17	Valve - Liquid	CR	61-21368-95	61-21368-95	61-21368-95	61-21368-95	61-21368-95	61-21368-95	
18	Valve - Suction	CR	61-21368-97	61-21368-97	61-21368-98	61-21368-98	61-21368-98	61-21368-98	
NP	Filter Drier	New	83-26186-01	83-26186-01	83-26186-01	83-26186-01	83-26186-01	83-26186-01	

ACCESSORY CONTROL KITS & KIT PARTS

NP	Time Delay Control		[RXMD-B01]	[RXMD-B01]	[RXMD-B01]	[RXMD-B01]	[RXMD-B01]	[RXMD-B01]	
12	Time Delay Relay	CR	42-22655-02	42-22655-02	42-22655-02	42-22655-02	42-22655-02	42-22655-02	



Notes

