



The new degree of comfort.™

## Rheem Value Series Air Conditioners

### 13A(-)N- Series

Efficiencies up to 14.5 SEER/12 EER  
Nominal Sizes 1.5-5 Ton [5.28 to 17.6 kW]  
Cooling Capacities 16.6 to 58 kBTU  
[4.86 to 17.0 kW]



*"Proper sizing and installation of equipment is critical to achieve optimal performance. Ask your Contractor for details or visit [www.energystar.gov](http://www.energystar.gov)."*



- Outdoor air conditioner designed for ground level or rooftop installations. These units offer comfort and dependability for single, multi-family and light commercial applications.
- Painted louvered steel cabinet
- Easily accessible control box
- Condenser coils constructed with copper tubing and enhanced aluminum fins.
- Grille/Motor mount for quiet fan operation
- Filter Drier (shipped – not installed)

## TABLE OF CONTENTS

Model Features .....	3
Model Number Identification .....	4
Accessories.....	4
Scroll Compressor .....	4
Performance Data .....	5-21
Electrical & Physical Data .....	22
Unit Dimensions.....	23
Refrigerant Line Size Information .....	24
Limited Warranty .....	25

## Model Features:

- Outdoor condensing unit designed for ground level or rooftop installations. These units offer comfort and dependability for single, multi-family and light commercial applications.
- Painted louvered steel cabinet
- Easily accessible control box
- Condenser coils constructed with copper tubing and enhanced aluminum fins
- Grille/Motor mount for quiet fan operation
- Filter Drier (shipped – not installed)

## Model Number Identification

<u>13</u>	<u>A</u>	<u>*</u>	<u>N</u>	<u>18</u>	<u>A</u>	<u>01</u>
13 SEER	A = AIR CONDITIONER	<u>VOLTAGE</u> J = 208-230 SINGLE PHASE C = 200/230V-3-60 D = 460V-3-60 Y = 575V-3-60	<u>DESIGN SERIES</u> N = 3RD DESIGN R-410A	<u>NOMINAL COOLING CAPACITY</u> 18 = 18,000 BTU/HR [5.28 kW] 24 = 24,000 BTU/HR [7.03 kW] 30 = 30,000 BTU/HR [8.79 kW] 36 = 36,000 BTU/HR [10.55 kW] 42 = 42,000 BTU/HR [12.31 kW] 48 = 48,000 BTU/HR [14.07 kW] 60 = 60,000 BTU/HR [17.58 kW]	<u>CABINET</u> A = FULL METAL JACKET	<u>RHEEM VALUE SERIES</u>

## Accessories

- Low Pressure Control (RXAC-A07)
- High Pressure Control (RXAB-A07)
- Low Ambient Control (RXAD-A08)
- Compressor Time Delay Control
- Crankcase Heater
- Sound Enclosure

## Thermostats



**200-Series \***  
Programmable



**300-Series \***  
Deluxe Programmable

**400-Series \***  
Special Applications/  
Programmable



**500-Series \***  
Communicating/  
Programmable

Brand	Descriptor (3 Characters)	Series (3 Characters)	System (2 Characters)	Type (2 Characters)	
RHC	-	TST	213	UN	MS
RHC=Rheem	TST=Thermostat	200=Programmable 300=Deluxe Programmable 400=Special Applications/ Programmable 500=Communicating/ Programmable	GE=Gas/Electric UN=Universal (AC/HP/GE) MD=Modulating Furnace DF=Dual Fuel CM=Communicating	SS=Single-Stage MS=Multi-Stage	

\* Photos are representative. Actual models may vary.

For detailed thermostat match-up information, see specification sheet form number T11-001.

## Scroll® Compressor

The reliable scroll compressor is the key to efficiency for this Rheem model. It's the latest in high-efficiency compressor technology. The advanced scroll compressor offers low noise and vibration characteristics and features tolerance to liquid refrigerant and system contamination. The scroll compressor also has low start torque, reducing start problems in the field. And its unique design enables air conditioners to perform efficiently and quietly.

[ ] Designates Metric Conversions



**Performance Data @ AHRI Standard Conditions—Cooling**

Model Numbers		80°F [26.5°C] DB/67°F [19.5°C] WB Indoor Air 95°F [35°C] DB Outdoor Air					Sound Rating dB	Indoor CFM [L/s]
Outdoor Unit 13A(-)N	Indoor Coil and/or Air Handler	Total Capacity BTU/H [kW]	Net Sensible BTU/H [kW]	Net Latent BTU/H [kW]	EER	SEER		
Rev. 5/17/12	RCFL-H*2417+RXMD-C04 ①	17,500 [5.1]	13,000 [3.8]	4,500 [1.3]	11.00	13.00	72	600 [283]
	RHAL-FR18P	17,900 [5.2]	14,300 [4.2]	3,600 [1.1]	11.00	13.00	72	600 [283]
	RHBL-FR24T	17,900 [5.2]	14,300 [4.2]	3,600 [1.1]	11.50	14.00	72	600 [283]
	RCFL-A*2414+RXMD-C04	17,500 [5.1]	13,000 [3.8]	4,500 [1.3]	11.00	13.00	72	600 [283]
	RCFL-A*2417(RGFE-06?MCK?)	18,000 [5.3]	13,400 [3.9]	4,600 [1.3]	12.00	14.50	72	575 [271]
	RCFL-A*2417(RGFE-07?MCK?)	18,000 [5.3]	13,400 [3.9]	4,600 [1.3]	12.00	14.50	72	600 [283]
	RCFL-A*2417(RGFG-06?MCK?)	18,000 [5.3]	13,400 [3.9]	4,600 [1.3]	12.00	14.50	72	575 [271]
	RCFL-A*2417(RGFG-07?MCK?)	18,000 [5.3]	13,300 [3.9]	4,700 [1.4]	12.00	14.50	72	600 [283]
	RCFL-A*2417(RGGE-06?MCK?)	18,000 [5.3]	13,400 [3.9]	4,600 [1.3]	12.00	14.50	72	625 [295]
	RCFL-A*2417(RGGE-07?MCK?)	18,000 [5.3]	13,400 [3.9]	4,600 [1.3]	12.00	14.50	72	575 [271]
	RCFL-A*2417(RGJF-06?MCK?)	18,000 [5.3]	13,400 [3.9]	4,600 [1.3]	12.00	14.50	72	625 [295]
	RCFL-A*2417(RGLE-07?AMK?)	18,000 [5.3]	13,400 [3.9]	4,600 [1.3]	12.00	14.50	72	600 [283]
	RCFL-A*2417(RGLT-07?AMK?)	18,400 [5.4]	13,900 [4.1]	4,500 [1.3]	12.00	14.50	72	675 [319]
	RCFL-A*2417(RGPE-05?BMK?)	18,000 [5.3]	13,400 [3.9]	4,600 [1.3]	12.00	14.50	72	575 [271]
	RCFL-A*2417(RGPE-07?AMK?)	18,000 [5.3]	13,400 [3.9]	4,600 [1.3]	12.00	14.50	72	625 [295]
	RCFL-A*2417(RGPT-05?BMK?)	18,200 [5.3]	13,700 [4.0]	4,500 [1.3]	12.00	14.50	72	650 [307]
	RCFL-A*2417(RGPT-07?AMK?)	18,000 [5.3]	13,400 [3.9]	4,600 [1.3]	12.00	14.50	72	625 [295]
	RCFL-A*2417(RGRM-04?MAE?)	17,900 [5.2]	13,300 [3.9]	4,600 [1.3]	12.00	14.50	72	575 [271]
RCFL-A*2417(RGRM-06?MAE?)	18,000 [5.3]	13,300 [3.9]	4,700 [1.4]	12.00	14.50	72	600 [283]	
RCFL-A*2417(RGRM-07?MAE?)	17,900 [5.2]	13,300 [3.9]	4,600 [1.3]	11.50	14.00	72	625 [295]	
RCFL-A*2417(RGTM-06?MAE?)	17,900 [5.2]	13,300 [3.9]	4,600 [1.3]	12.00	14.50	72	625 [295]	
RCFL-A*2417(ROCA-070E03)	18,000 [5.3]	13,400 [3.9]	4,600 [1.3]	12.00	14.50	72	600 [283]	
RCFL-A*2417(ROLA-070E03)	17,900 [5.2]	13,300 [3.9]	4,600 [1.3]	12.00	14.50	72	600 [283]	
RCFL-A*2417+RXMD-C04	17,500 [5.1]	13,000 [3.8]	4,500 [1.3]	11.00	13.00	72	600 [283]	
18 (AJN)	RCFL-H*2414+RXMD-C04	17,500 [5.1]	13,000 [3.8]	4,500 [1.3]	11.00	13.00	72	600 [283]
	RCFL-H*2417(RGFE-06?MCK?)	18,000 [5.3]	13,400 [3.9]	4,600 [1.3]	12.00	14.50	72	575 [271]
	RCFL-H*2417(RGFE-07?MCK?)	18,000 [5.3]	13,400 [3.9]	4,600 [1.3]	12.00	14.50	72	600 [283]
	RCFL-H*2417(RGFG-06?MCK?)	18,000 [5.3]	13,400 [3.9]	4,600 [1.3]	12.00	14.50	72	575 [271]
	RCFL-H*2417(RGFG-07?MCK?)	18,100 [5.3]	13,400 [3.9]	4,700 [1.4]	12.00	14.50	72	600 [283]
	RCFL-H*2417(RGGE-06?MCK?)	18,000 [5.3]	13,400 [3.9]	4,600 [1.3]	12.00	14.50	72	625 [295]
	RCFL-H*2417(RGGE-07?MCK?)	18,000 [5.3]	13,400 [3.9]	4,600 [1.3]	12.00	14.50	72	575 [271]
	RCFL-H*2417(RGJF-06?MCK?)	18,000 [5.3]	13,400 [3.9]	4,600 [1.3]	12.00	14.50	72	625 [295]
	RCFL-H*2417(RGJF-07?MCK?)	18,000 [5.3]	13,400 [3.9]	4,600 [1.3]	12.00	14.50	72	575 [271]
	RCFL-H*2417(RGLE-07?AMK?)	18,000 [5.3]	13,400 [3.9]	4,600 [1.3]	12.00	14.50	72	600 [283]
	RCFL-H*2417(RGLT-07?AMK?)	18,400 [5.4]	13,900 [4.1]	4,500 [1.3]	12.00	14.50	72	675 [319]
	RCFL-H*2417(RGPE-05?BMK?)	18,000 [5.3]	13,400 [3.9]	4,600 [1.3]	12.00	14.50	72	575 [271]
	RCFL-H*2417(RGPE-07?AMK?)	18,000 [5.3]	13,400 [3.9]	4,600 [1.3]	12.00	14.50	72	625 [295]
	RCFL-H*2417(RGPT-05?BMK?)	18,200 [5.3]	13,700 [4.0]	4,500 [1.3]	12.00	14.50	72	650 [307]
	RCFL-H*2417(RGPT-07?AMK?)	18,000 [5.3]	13,400 [3.9]	4,600 [1.3]	12.00	14.50	72	625 [295]
	RCFL-H*2417(RGRM-04?MAE?)	17,900 [5.2]	13,300 [3.9]	4,600 [1.3]	12.00	14.50	72	575 [271]
	RCFL-H*2417(RGRM-06?MAE?)	18,000 [5.3]	13,300 [3.9]	4,700 [1.4]	12.00	14.50	72	600 [283]
	RCFL-H*2417(RGRM-07?MAE?)	17,900 [5.2]	13,300 [3.9]	4,600 [1.3]	11.50	14.00	72	625 [295]
	RCFL-H*2417(RGTM-06?MAE?)	17,900 [5.2]	13,300 [3.9]	4,600 [1.3]	12.00	14.50	72	625 [295]
	RCFL-H*2417(ROCA-070E03)	18,000 [5.3]	13,400 [3.9]	4,600 [1.3]	12.00	14.50	72	600 [283]
	RCFL-H*2417(ROLA-070E03)	17,900 [5.2]	13,300 [3.9]	4,600 [1.3]	12.00	14.50	72	600 [283]
	RBHP-17(RCHL-24A2)	17,200 [5.0]	12,700 [3.7]	4,500 [1.3]	11.50	14.00	72	600 [283]
	RCQD-2417(RGFE-06?MCK?)	18,700 [5.5]	15,200 [4.5]	3,500 [1.0]	12.00	14.50	72	575 [271]
	RCQD-2417(RGFE-07?MCK?)	18,700 [5.5]	15,200 [4.5]	3,500 [1.0]	12.00	14.50	72	600 [283]
	RCQD-2417(RGFG-06?MCK?)	18,700 [5.5]	15,200 [4.5]	3,500 [1.0]	12.00	14.50	72	575 [271]
	RCQD-2417(RGFG-07?MCK?)	18,700 [5.5]	15,200 [4.5]	3,500 [1.0]	12.00	14.50	72	600 [283]

① Highest sales volume tested combination required by D.O.E. test procedures.

[ ] Designates Metric Conversions

## Performance Data @ AHRI Standard Conditions—Cooling

Model Numbers		80°F [26.5°C] DB/67°F [19.5°C] WB Indoor Air 95°F [35°C] DB Outdoor Air					Sound Rating dB	Indoor CFM [L/s]
Outdoor Unit 13A(-)N	Indoor Coil and/or Air Handler	Total Capacity BTU/H [kW]	Net Sensible BTU/H [kW]	Net Latent BTU/H [kW]	EER	SEER		
Rev. 5/17/12	RCQD-2417(RGJF-06?MCK?)	18,800 [5.5]	15,300 [4.5]	3,500 [1.0]	12.00	14.50	72	625 [295]
	RCQD-2417(RGJF-07?MCK?)	18,800 [5.5]	15,300 [4.5]	3,500 [1.0]	12.00	14.50	72	575 [271]
	RCQD-2417(RGPE-05?BMK?)	18,700 [5.5]	15,200 [4.5]	3,500 [1.0]	12.00	14.50	72	575 [271]
	RCQD-2417(RGPE-07?AMK?)	18,800 [5.5]	15,300 [4.5]	3,500 [1.0]	12.00	14.50	72	625 [295]
	RCQD-2417(RGPT-05?BMK?)	19,000 [5.6]	15,600 [4.6]	3,400 [1.0]	12.00	14.50	72	650 [307]
	RCQD-2417(RGPT-07?AMK?)	18,700 [5.5]	15,200 [4.5]	3,500 [1.0]	12.00	14.50	72	625 [295]
	RCQD-2417(RGRM-04?MAE?)	18,700 [5.5]	15,200 [4.5]	3,500 [1.0]	12.00	14.50	72	575 [271]
	RCQD-2417(RGRM-06?MAE?)	18,700 [5.5]	15,200 [4.5]	3,500 [1.0]	12.00	14.50	72	600 [283]
	RCQD-2417(RGTM-06?MAE?)	18,600 [5.4]	15,100 [4.4]	3,500 [1.0]	12.00	14.50	72	625 [295]
	RCQD-2417(RGTM-06?MAE?)	18,700 [5.5]	15,200 [4.5]	3,500 [1.0]	12.00	14.50	72	625 [295]
	RCQD-2417(ROCA-070E03)	18,800 [5.5]	15,300 [4.5]	3,500 [1.0]	12.00	14.50	72	600 [283]
	RCQD-2417(ROLA-070E03)	18,700 [5.5]	15,200 [4.5]	3,500 [1.0]	12.00	14.50	72	600 [283]
	RCQD-2417+RXMD-C04	18,200 [5.3]	14,800 [4.3]	3,400 [1.0]	11.50	13.50	72	650 [307]
	RHKL-HM2417(RCSL-H*2417)	18,400 [5.4]	13,900 [4.1]	4,500 [1.3]	12.00	14.50	72	650 [307]
	RHLL-HM2417(RCSL-H*2417)	17,900 [5.2]	13,300 [3.9]	4,600 [1.3]	12.00	14.50	72	600 [283]
	RHSL-HM1817(RCSL-H*2417)	17,700 [5.2]	13,100 [3.8]	4,600 [1.3]	11.00	13.00	72	600 [283]
24 (AJN)	RCFL-H*2417 ①	23,000 [6.7]	17,100 [5.0]	5,900 [1.7]	10.50	13.00	73	800 [378]
	RHAL-FR24P	23,400 [6.9]	18,500 [5.4]	4,900 [1.4]	11.00	13.00	73	800 [378]
	RHBL-FR24T	23,400 [6.9]	18,500 [5.4]	4,900 [1.4]	11.50	14.00	73	800 [378]
	RCFL-A*2414	23,000 [6.7]	17,100 [5.0]	5,900 [1.7]	10.50	13.00	73	800 [378]
	RCFL-A*2417	23,000 [6.7]	17,100 [5.0]	5,900 [1.7]	10.50	13.00	73	800 [378]
	RCFL-A*2417(RGFE-06?MCK?)	23,400 [6.9]	17,350 [5.1]	6,050 [1.8]	11.50	14.00	73	800 [378]
	RCFL-A*2417(RGFE-07?MCK?)	23,200 [6.8]	16,950 [5.0]	6,250 [1.8]	11.50	14.00	73	725 [342]
	RCFL-A*2417(RGFG-06?MCK?)	23,200 [6.8]	16,900 [5.0]	6,300 [1.8]	11.50	14.00	73	725 [342]
	RCFL-A*2417(RGFG-07?MCK?)	23,600 [6.9]	17,500 [5.1]	6,100 [1.8]	11.50	13.50	73	800 [378]
	RCFL-A*2417(RGGE-06?MCK?)	23,600 [6.9]	17,550 [5.1]	6,050 [1.8]	11.50	14.00	73	825 [389]
	RCFL-A*2417(RGGE-07?MCK?)	23,600 [6.9]	17,550 [5.1]	6,050 [1.8]	11.50	14.00	73	800 [378]
	RCFL-A*2417(RGLT-07?AMK?)	23,000 [6.7]	16,600 [4.9]	6,400 [1.9]	11.50	14.00	73	675 [319]
	RCFL-A*2417(RGPE-07?AMK?)	23,600 [6.9]	17,550 [5.1]	6,050 [1.8]	11.50	14.00	73	825 [389]
	RCFL-A*2417(RGPT-05?BMK?)	23,800 [7.0]	17,900 [5.2]	5,900 [1.7]	11.50	13.50	73	850 [401]
	RCFL-A*2417(RGPT-07?AMK?)	23,800 [7.0]	17,900 [5.2]	5,900 [1.7]	11.50	14.00	73	850 [401]
	RCFL-A*2417(RGRM-04?MAE?)	23,400 [6.9]	17,400 [5.1]	6,000 [1.8]	11.50	13.50	73	800 [378]
	RCFL-A*2417(RGRM-06?MAE?)	23,400 [6.9]	17,400 [5.1]	6,000 [1.8]	11.50	13.50	73	825 [389]
	RCFL-A*2417(RGRM-07?MAE?)	23,600 [6.9]	17,750 [5.2]	5,850 [1.7]	11.50	13.00	73	850 [401]
	RCFL-A*2417(RGTM-06?MAE?)	23,400 [6.9]	17,200 [5.0]	6,200 [1.8]	11.50	14.00	73	750 [354]
	RCFL-A*2417(RHWB-04WMX36A)	23,600 [6.9]	17,700 [5.2]	5,900 [1.7]	11.50	14.00	73	825 [389]
	RCFL-A*2417(ROCA-070E03)	23,600 [6.9]	17,550 [5.1]	6,050 [1.8]	11.50	14.00	73	800 [378]
	RCFL-A*2417(ROCA-070E04)	23,600 [6.9]	17,550 [5.1]	6,050 [1.8]	11.50	14.00	73	800 [378]
	RCFL-A*2417(ROLA-070E03)	23,600 [6.9]	17,550 [5.1]	6,050 [1.8]	11.50	14.00	73	800 [378]
	RCFL-A*2417(ROLA-070E04)	23,200 [6.8]	16,950 [5.0]	6,250 [1.8]	11.50	14.00	73	725 [342]
	RCFL-H*2414	23,000 [6.7]	17,100 [5.0]	5,900 [1.7]	10.50	13.00	73	800 [378]
	RCFL-H*2417(RGFE-06?MCK?)	23,400 [6.9]	17,350 [5.1]	6,050 [1.8]	11.50	14.00	73	800 [378]
	RCFL-H*2417(RGFE-07?MCK?)	23,200 [6.8]	16,950 [5.0]	6,250 [1.8]	11.50	14.00	73	725 [342]
	RCFL-H*2417(RGFG-06?MCK?)	23,200 [6.8]	16,900 [5.0]	6,300 [1.8]	11.50	14.00	73	725 [342]
	RCFL-H*2417(RGFG-07?MCK?)	23,600 [6.9]	17,500 [5.1]	6,100 [1.8]	11.50	13.50	73	800 [378]
	RCFL-H*2417(RGGE-06?MCK?)	23,600 [6.9]	17,550 [5.1]	6,050 [1.8]	11.50	14.00	73	825 [389]
	RCFL-H*2417(RGGE-07?MCK?)	23,600 [6.9]	17,550 [5.1]	6,050 [1.8]	11.50	14.00	73	800 [378]
	RCFL-H*2417(RGJF-06?MCK?)	23,600 [6.9]	17,550 [5.1]	6,050 [1.8]	11.50	14.00	73	825 [389]
RCFL-H*2417(RGJF-07?MCK?)	23,600 [6.9]	17,550 [5.1]	6,050 [1.8]	11.50	14.00	73	800 [378]	
RCFL-H*2417(RGLT-07?AMK?)	23,000 [6.7]	16,600 [4.9]	6,400 [1.9]	11.50	14.00	73	675 [319]	

① Highest sales volume tested combination required by D.O.E. test procedures.

[ ] Designates Metric Conversions

**Performance Data @ AHRI Standard Conditions—Cooling**

Model Numbers		80°F [26.5°C] DB/67°F [19.5°C] WB Indoor Air 95°F [35°C] DB Outdoor Air					Sound Rating dB	Indoor CFM [L/s]
Outdoor Unit 13A(-)N	Indoor Coil and/or Air Handler	Total Capacity BTU/H [kW]	Net Sensible BTU/H [kW]	Net Latent BTU/H [kW]	EER	SEER		
Rev. 5/17/12	RCFL-H*2417(RGPE-05?BMK?)	23,600 [6.9]	17,550 [5.1]	6,050 [1.8]	11.50	14.00	73	800 [378]
	RCFL-H*2417(RGPE-07?AMK?)	23,600 [6.9]	17,550 [5.1]	6,050 [1.8]	11.50	14.00	73	825 [389]
	RCFL-H*2417(RGPT-05?BMK?)	23,800 [7.0]	17,900 [5.2]	5,900 [1.7]	11.50	13.50	73	850 [401]
	RCFL-H*2417(RGPT-07?AMK?)	23,800 [7.0]	17,900 [5.2]	5,900 [1.7]	11.50	14.00	73	850 [401]
	RCFL-H*2417(RGRM-04?MAE?)	23,400 [6.9]	17,400 [5.1]	6,000 [1.8]	11.50	13.50	73	800 [378]
	RCFL-H*2417(RGRM-06?MAE?)	23,400 [6.9]	17,400 [5.1]	6,000 [1.8]	11.50	13.50	73	825 [389]
	RCFL-H*2417(RGRM-07?MAE?)	23,600 [6.9]	17,750 [5.2]	5,850 [1.7]	11.00	13.00	73	850 [401]
	RCFL-H*2417(RGTM-06?MAE?)	23,400 [6.9]	17,200 [5.0]	6,200 [1.8]	11.50	14.00	73	750 [354]
	RCFL-H*2417(RHWB-04WWMX36A)	23,600 [6.9]	17,700 [5.2]	5,900 [1.7]	11.50	14.00	73	825 [389]
	RCFL-H*2417(ROCA-070E03)	23,600 [6.9]	17,550 [5.1]	6,050 [1.8]	11.50	14.00	73	800 [378]
	RCFL-H*2417(ROCA-070E04)	23,600 [6.9]	17,550 [5.1]	6,050 [1.8]	11.50	14.00	73	800 [378]
	RCFL-H*2417(ROLA-070E03)	23,600 [6.9]	17,550 [5.1]	6,050 [1.8]	11.50	14.00	73	800 [378]
	RCFL-H*2417(ROLA-070E04)	23,200 [6.8]	16,950 [5.0]	6,250 [1.8]	11.50	14.00	73	725 [342]
	RBHP-17(RCHL-24A2)	22,000 [6.4]	15,850 [4.6]	6,150 [1.8]	11.50	14.00	73	800 [378]
	RCQD-2417(RGFE-06?MCK?)	23,800 [7.0]	18,750 [5.5]	5,050 [1.5]	11.50	13.50	73	800 [378]
	RCQD-2417(RGFE-07?MCK?)	23,800 [7.0]	18,750 [5.5]	5,050 [1.5]	11.50	13.50	73	825 [389]
	RCQD-2417(RGFG-06?MCK?)	24,200 [7.1]	19,100 [5.6]	5,100 [1.5]	11.50	14.00	73	800 [378]
	RCQD-2417(RGFG-07?MCK?)	24,200 [7.1]	19,100 [5.6]	5,100 [1.5]	11.50	14.00	73	800 [378]
	RCQD-2417(RGJF-06?MCK?)	24,000 [7.0]	18,950 [5.6]	5,050 [1.5]	11.50	13.50	73	825 [389]
	RCQD-2417(RGJF-07?MCK?)	23,800 [7.0]	18,750 [5.5]	5,050 [1.5]	11.50	13.50	73	800 [378]
	RCQD-2417(RGPE-05?BMK?)	24,000 [7.0]	18,950 [5.6]	5,050 [1.5]	11.50	13.50	73	800 [378]
	RCQD-2417(RGPE-07?AMK?)	24,000 [7.0]	18,950 [5.6]	5,050 [1.5]	11.50	14.00	73	825 [389]
	RCQD-2417(RGPT-05?BMK?)	24,400 [7.1]	19,650 [5.8]	4,750 [1.4]	11.50	13.50	73	900 [425]
	RCQD-2417(RGRM-04?MAE?)	23,800 [7.0]	18,750 [5.5]	5,050 [1.5]	11.50	13.50	73	800 [378]
RCQD-2417(RGRM-06?MAE?)	23,800 [7.0]	18,750 [5.5]	5,050 [1.5]	11.50	13.50	73	825 [389]	
RCQD-2417(RGRM-07?MAE?)	23,800 [7.0]	18,750 [5.5]	5,050 [1.5]	11.50	13.50	73	800 [378]	
RCQD-2417(RGTM-06?MAE?)	23,800 [7.0]	18,750 [5.5]	5,050 [1.5]	11.50	13.50	73	825 [389]	
RCQD-2417(RHWB-04WWMX36A)	24,600 [7.2]	19,800 [5.8]	4,800 [1.4]	11.50	14.00	73	875 [413]	
RCQD-2417(ROCA-070E03)	24,000 [7.0]	18,950 [5.6]	5,050 [1.5]	11.50	14.00	73	800 [378]	
RCQD-2417(ROCA-070E04)	24,000 [7.0]	18,950 [5.6]	5,050 [1.5]	11.50	14.00	73	800 [378]	
RCQD-2417(ROLA-070E03)	24,000 [7.0]	18,950 [5.6]	5,050 [1.5]	11.50	14.00	73	800 [378]	
RCQD-2417(ROLA-070E04)	23,600 [6.9]	18,350 [5.4]	5,250 [1.5]	11.50	13.50	73	725 [342]	
RHKL-HM2417(RCSL-H*2417)	23,800 [7.0]	17,900 [5.2]	5,900 [1.7]	11.50	14.00	73	850 [401]	
RHLL-HM2417(RCSL-H*2417)	23,600 [6.9]	17,500 [5.1]	6,100 [1.8]	12.00	14.50	73	775 [366]	
RHSL-HM2417(RCSL-H*2417)	23,200 [6.8]	17,250 [5.1]	5,950 [1.7]	11.00	13.00	73	800 [378]	
24 (AJN)	RCFL-H*3617+RXMD-C04 ①	27,400 [8.0]	20,350 [6.0]	7,050 [2.1]	10.50	13.00	74	1,000 [472]
	RHAL-FR30P	28,400 [8.3]	22,600 [6.6]	5,800 [1.7]	11.00	13.00	74	975 [460]
	RHBL-FR36T	28,400 [8.3]	22,600 [6.6]	5,800 [1.7]	11.50	14.00	74	1,025 [484]
	RCFL-A*3617(RGFE-06?MCK?)	27,600 [8.1]	20,600 [6.0]	7,000 [2.1]	11.50	13.50	74	1,000 [472]
	RCFL-A*3617(RGFE-07?MCK?)	27,600 [8.1]	20,600 [6.0]	7,000 [2.1]	11.00	13.50	74	1,025 [484]
	RCFL-A*3617(RGFG-06?MCK?)	27,600 [8.1]	20,600 [6.0]	7,000 [2.1]	11.50	13.50	74	1,000 [472]
	RCFL-A*3617(RGFG-07?MCK?)	27,600 [8.1]	20,600 [6.0]	7,000 [2.1]	11.00	13.50	74	1,000 [472]
	RCFL-A*3617(RGGE-06?MCK?)	27,600 [8.1]	20,200 [5.9]	7,400 [2.2]	11.50	14.00	74	925 [437]
	RCFL-A*3617(RGGE-07?MCK?)	27,800 [8.1]	20,600 [6.0]	7,200 [2.1]	11.50	13.50	74	1,025 [484]
	RCFL-A*3617(RGJF-06?MCK?)	27,600 [8.1]	20,200 [5.9]	7,400 [2.2]	11.50	14.00	74	925 [437]
	RCFL-A*3617(RGLE-07?AMK?)	27,800 [8.1]	20,600 [6.0]	7,200 [2.1]	11.50	14.00	74	1,025 [484]
	RCFL-A*3617(RGLT-07?AMK?)	27,600 [8.1]	20,000 [5.9]	7,600 [2.2]	11.50	14.00	74	900 [425]
	RCFL-A*3617(RGPE-05?BMK?)	27,400 [8.0]	19,900 [5.8]	7,500 [2.2]	11.50	14.00	74	900 [425]
	RCFL-A*3617(RGPE-07?AMK?)	27,800 [8.1]	20,600 [6.0]	7,200 [2.1]	11.50	14.00	74	1,000 [472]
	RCFL-A*3617(RGPT-05?BMK?)	27,400 [8.0]	20,000 [5.9]	7,400 [2.2]	11.50	14.00	74	900 [425]
	30 (AJN)							

① Highest sales volume tested combination required by D.O.E. test procedures.

[ ] Designates Metric Conversions

## Performance Data @ AHRI Standard Conditions—Cooling

Model Numbers		80°F [26.5°C] DB/67°F [19.5°C] WB Indoor Air 95°F [35°C] DB Outdoor Air					Sound Rating dB	Indoor CFM [L/s]
Outdoor Unit 13A(-)N	Indoor Coil and/or Air Handler	Total Capacity BTU/H [kW]	Net Sensible BTU/H [kW]	Net Latent BTU/H [kW]	EER	SEER		
Rev. 5/17/12	RCFL-A*3617(RGPT-07?AMK?)	27,600 [8.1]	20,200 [5.9]	7,400 [2.2]	11.50	14.00	74	900 [425]
	RCFL-A*3617(RGRM-04?MAE?)	27,400 [8.0]	20,000 [5.9]	7,400 [2.2]	11.50	13.50	74	925 [437]
	RCFL-A*3617(RGRM-06?MAE?)	27,600 [8.1]	20,600 [6.0]	7,000 [2.1]	11.00	13.50	74	1,000 [472]
	RCFL-A*3617(RGRM-07?MAE?)	27,400 [8.0]	20,000 [5.9]	7,400 [2.2]	11.00	13.00	74	950 [448]
	RCFL-A*3617(RGTM-06?MAE?)	27,400 [8.0]	20,000 [5.9]	7,400 [2.2]	11.50	14.00	74	900 [425]
	RCFL-A*3617(RHWP-04WMX36A)	28,200 [8.3]	21,300 [6.2]	6,900 [2.0]	11.50	14.00	74	1,050 [495]
	RCFL-A*3617(RHWP-06WMX48A)	28,000 [8.2]	20,900 [6.1]	7,100 [2.1]	11.50	14.00	74	975 [460]
	RCFL-A*3617(ROCA-070E03)	27,800 [8.1]	20,800 [6.1]	7,000 [2.1]	11.50	14.00	74	1,000 [472]
	RCFL-A*3617(ROCA-070E04)	27,800 [8.1]	20,800 [6.1]	7,000 [2.1]	11.50	14.00	74	1,000 [472]
	RCFL-A*3617(ROLA-070E03)	28,000 [8.2]	20,800 [6.1]	7,200 [2.1]	11.50	14.00	74	975 [460]
30 (AJN)	RCFL-A*3617(ROLA-070E04)	27,800 [8.1]	20,800 [6.1]	7,000 [2.1]	11.50	14.00	74	1,025 [484]
	RCFL-A*3617+RXMD-C04	27,400 [8.0]	20,350 [6.0]	7,050 [2.1]	10.50	13.00	74	1,000 [472]
	RCFL-A*3621(RGFE-06?MCK?)	27,800 [8.1]	20,600 [6.0]	7,200 [2.1]	11.50	13.50	74	1,000 [472]
	RCFL-A*3621(RGFE-07?MCK?)	27,600 [8.1]	20,600 [6.0]	7,000 [2.1]	11.00	13.50	74	1,025 [484]
	RCFL-A*3621(RGFE-09?ZCM?)	27,800 [8.1]	20,600 [6.0]	7,200 [2.1]	11.50	14.00	74	1,025 [484]
	RCFL-A*3621(RGFE-10?ZCM?)	27,800 [8.1]	20,600 [6.0]	7,200 [2.1]	11.50	14.00	74	1,025 [484]
	RCFL-A*3621(RGFG-06?MCK?)	27,800 [8.1]	20,600 [6.0]	7,200 [2.1]	11.50	13.50	74	1,000 [472]
	RCFL-A*3621(RGFG-07?MCK?)	27,600 [8.1]	20,600 [6.0]	7,000 [2.1]	11.00	13.50	74	1,000 [472]
	RCFL-A*3621(RGFG-09?ZCM?)	27,800 [8.1]	20,600 [6.0]	7,200 [2.1]	11.50	14.00	74	1,025 [484]
	RCFL-A*3621(RGFG-10?ZCM?)	28,000 [8.2]	20,800 [6.1]	7,200 [2.1]	11.50	14.00	74	1,000 [472]
	RCFL-A*3621(RGGE-06?MCK?)	27,600 [8.1]	20,200 [5.9]	7,400 [2.2]	11.50	14.00	74	925 [437]
	RCFL-A*3621(RGGE-07?MCK?)	27,800 [8.1]	20,600 [6.0]	7,200 [2.1]	11.50	13.50	74	1,025 [484]
	RCFL-A*3621(RGGE-09?ZCM?)	28,000 [8.2]	20,800 [6.1]	7,200 [2.1]	11.50	14.00	74	1,000 [472]
	RCFL-A*3621(RGGE-10?ZCM?)	28,000 [8.2]	20,800 [6.1]	7,200 [2.1]	11.50	14.00	74	1,000 [472]
	RCFL-A*3621(RGJF-06?MCK?)	27,600 [8.1]	20,200 [5.9]	7,400 [2.2]	11.50	14.00	74	925 [437]
	RCFL-A*3621(RGLE-07?AMK?)	27,800 [8.1]	20,800 [6.1]	7,000 [2.1]	11.50	14.00	74	1,025 [484]
	RCFL-A*3621(RGLE-07?BRQ?)	28,000 [8.2]	20,800 [6.1]	7,200 [2.1]	12.00	14.50	74	1,025 [484]
	RCFL-A*3621(RGLE-10?BRM?)	27,600 [8.1]	19,900 [5.8]	7,700 [2.3]	12.00	14.50	74	875 [413]
	RCFL-A*3621(RGLT-07?AMK?)	27,800 [8.1]	20,200 [5.9]	7,600 [2.2]	12.00	14.50	74	925 [437]
	RCFL-A*3621(RGLT-07?BRQ?)	28,000 [8.2]	20,800 [6.1]	7,200 [2.1]	12.00	14.50	74	1,000 [472]
	RCFL-A*3621(RGLT-10?BRM?)	28,000 [8.2]	20,800 [6.1]	7,200 [2.1]	12.00	14.50	74	1,000 [472]
	RCFL-A*3621(RGPE-05?BMK?)	27,800 [8.1]	20,600 [6.0]	7,200 [2.1]	11.50	14.00	74	975 [460]
	RCFL-A*3621(RGPE-07?AMK?)	27,800 [8.1]	20,800 [6.1]	7,000 [2.1]	11.50	14.00	74	1,000 [472]
	RCFL-A*3621(RGPE-07?BRQ?)	28,000 [8.2]	20,800 [6.1]	7,200 [2.1]	12.00	14.50	74	1,025 [484]
	RCFL-A*3621(RGPE-10?BRM?)	27,600 [8.1]	20,000 [5.9]	7,600 [2.2]	12.00	14.50	74	900 [425]
	RCFL-A*3621(RGPT-05?BMK?)	27,400 [8.0]	20,000 [5.9]	7,400 [2.2]	11.50	14.00	74	900 [425]
	RCFL-A*3621(RGPT-07?AMK?)	27,600 [8.1]	20,200 [5.9]	7,400 [2.2]	11.50	14.00	74	925 [437]
	RCFL-A*3621(RGPT-07?BRQ?)	28,200 [8.3]	21,100 [6.2]	7,100 [2.1]	12.00	14.50	74	1,000 [472]
	RCFL-A*3621(RGPT-10?BRM?)	28,000 [8.2]	20,800 [6.1]	7,200 [2.1]	12.00	14.50	74	1,000 [472]
	RCFL-A*3621(RGRM-04?MAE?)	27,400 [8.0]	20,000 [5.9]	7,400 [2.2]	11.50	13.50	74	925 [437]
	RCFL-A*3621(RGRM-06?MAE?)	27,600 [8.1]	20,600 [6.0]	7,000 [2.1]	11.00	13.50	74	1,000 [472]
	RCFL-A*3621(RGRM-07?MAE?)	27,400 [8.0]	20,200 [5.9]	7,200 [2.1]	11.00	13.00	74	950 [448]
	RCFL-A*3621(RGRM-07?YBG?)	27,600 [8.1]	20,400 [6.0]	7,200 [2.1]	11.00	13.00	74	975 [460]
	RCFL-A*3621(RGRM-09?ZAJ?)	27,600 [8.1]	20,400 [6.0]	7,200 [2.1]	11.50	14.00	74	950 [448]
	RCFL-A*3621(RGRM-10?ZAJ?)	27,800 [8.1]	20,600 [6.0]	7,200 [2.1]	11.50	13.50	74	1,025 [484]
	RCFL-A*3621(RGTM-06?MAE?)	27,600 [8.1]	20,000 [5.9]	7,600 [2.2]	11.50	14.00	74	900 [425]
	RCFL-A*3621(RGTM-07?RBG?)	28,200 [8.3]	21,200 [6.2]	7,000 [2.1]	11.50	14.00	74	1,050 [495]
	RCFL-A*3621(RGTM-09?ZAJ?)	28,000 [8.2]	20,800 [6.1]	7,200 [2.1]	12.00	14.50	74	975 [460]
	RCFL-A*3621(RHWP-04WMX36A)	27,600 [8.1]	20,100 [5.9]	7,500 [2.2]	12.00	14.50	74	875 [413]
	RCFL-A*3621(RHWP-06WMX48A)	28,000 [8.2]	20,900 [6.1]	7,100 [2.1]	11.50	14.00	74	1,000 [472]

① Highest sales volume tested combination required by D.O.E. test procedures.

[ ] Designates Metric Conversions



## Performance Data @ AHRI Standard Conditions—Cooling

Model Numbers		80°F [26.5°C] DB/67°F [19.5°C] WB Indoor Air 95°F [35°C] DB Outdoor Air					Sound Rating dB	Indoor CFM [L/s]
Outdoor Unit 13A(-)N	Indoor Coil and/or Air Handler	Total Capacity BTU/H [kW]	Net Sensible BTU/H [kW]	Net Latent BTU/H [kW]	EER	SEER		
Rev. 5/17/12	RCFL-A*3621(ROCA-070E03)	28,000 [8.2]	20,800 [6.1]	7,200 [2.1]	11.50	14.00	74	1,000 [472]
	RCFL-A*3621(ROCA-070E04)	28,000 [8.2]	20,800 [6.1]	7,200 [2.1]	11.50	14.00	74	1,000 [472]
	RCFL-A*3621(ROLA-070E03)	28,000 [8.2]	20,800 [6.1]	7,200 [2.1]	12.00	14.00	74	975 [460]
	RCFL-A*3621(ROLA-070E04)	28,000 [8.2]	20,800 [6.1]	7,200 [2.1]	11.50	14.00	74	1,025 [484]
	RCFL-A*3621(ROLA-115E05)	27,600 [8.1]	20,000 [5.9]	7,600 [2.2]	11.50	14.00	74	900 [425]
	RCFL-A*3621+RXMD-C04	27,400 [8.0]	20,350 [6.0]	7,050 [2.1]	10.50	13.00	74	1,000 [472]
	RCFL-H*3617(RGFE-06?MCK?)	27,600 [8.1]	20,600 [6.0]	7,000 [2.1]	11.50	13.50	74	1,000 [472]
	RCFL-H*3617(RGFE-07?MCK?)	27,600 [8.1]	20,600 [6.0]	7,000 [2.1]	11.00	13.50	74	1,025 [484]
	RCFL-H*3617(RGFG-06?MCK?)	27,600 [8.1]	20,600 [6.0]	7,000 [2.1]	11.50	13.50	74	1,000 [472]
	RCFL-H*3617(RGFG-07?MCK?)	27,600 [8.1]	20,600 [6.0]	7,000 [2.1]	11.00	13.50	74	1,000 [472]
	RCFL-H*3617(RGGE-06?MCK?)	27,600 [8.1]	20,200 [5.9]	7,400 [2.2]	11.50	14.00	74	925 [437]
	RCFL-H*3617(RGGE-07?MCK?)	27,800 [8.1]	20,600 [6.0]	7,200 [2.1]	11.50	13.50	74	1,025 [484]
	RCFL-H*3617(RGJF-06?MCK?)	27,600 [8.1]	20,200 [5.9]	7,400 [2.2]	11.50	14.00	74	925 [437]
	RCFL-H*3617(RGJF-07?MCK?)	27,800 [8.1]	20,600 [6.0]	7,200 [2.1]	11.50	13.50	74	1,025 [484]
	RCFL-H*3617(RGLE-07?AMK?)	27,800 [8.1]	20,600 [6.0]	7,200 [2.1]	11.50	14.00	74	1,025 [484]
	RCFL-H*3617(RGLT-07?AMK?)	27,600 [8.1]	20,000 [5.9]	7,600 [2.2]	11.50	14.00	74	900 [425]
	30 (AJN)	RCFL-H*3617(RGPE-05?BMK?)	27,400 [8.0]	19,900 [5.8]	7,500 [2.2]	11.50	14.00	74
RCFL-H*3617(RGPE-07?AMK?)		27,800 [8.1]	20,600 [6.0]	7,200 [2.1]	11.50	14.00	74	1,000 [472]
RCFL-H*3617(RGPT-05?BMK?)		27,400 [8.0]	20,000 [5.9]	7,400 [2.2]	11.50	14.00	74	900 [425]
RCFL-H*3617(RGPT-07?AMK?)		27,600 [8.1]	20,200 [5.9]	7,400 [2.2]	11.50	14.00	74	900 [425]
RCFL-H*3617(RGRM-04?MAE?)		27,400 [8.0]	20,000 [5.9]	7,400 [2.2]	11.50	13.50	74	925 [437]
RCFL-H*3617(RGRM-06?MAE?)		27,600 [8.1]	20,600 [6.0]	7,000 [2.1]	11.00	13.50	74	1,000 [472]
RCFL-H*3617(RGRM-07?MAE?)		27,400 [8.0]	20,000 [5.9]	7,400 [2.2]	11.00	13.00	74	950 [448]
RCFL-H*3617(RGTM-06?MAE?)		27,400 [8.0]	20,000 [5.9]	7,400 [2.2]	11.50	14.00	74	900 [425]
RCFL-H*3617(RHWB-04WMX36A)		28,200 [8.3]	21,300 [6.2]	6,900 [2.0]	11.50	14.00	74	1,050 [495]
RCFL-H*3617(RHWB-06WMX48A)		28,000 [8.2]	20,900 [6.1]	7,100 [2.1]	11.50	14.00	74	975 [460]
RCFL-H*3617(ROCA-070E03)		27,800 [8.1]	20,800 [6.1]	7,000 [2.1]	11.50	14.00	74	1,000 [472]
RCFL-H*3617(ROCA-070E04)		27,800 [8.1]	20,800 [6.1]	7,000 [2.1]	11.50	14.00	74	1,000 [472]
RCFL-H*3617(ROLA-070E03)		28,000 [8.2]	20,800 [6.1]	7,200 [2.1]	11.50	14.00	74	975 [460]
RCFL-H*3617(ROLA-070E04)		27,800 [8.1]	20,800 [6.1]	7,000 [2.1]	11.50	14.00	74	1,025 [484]
RCFL-H*3621(RGFE-06?MCK?)		27,800 [8.1]	20,600 [6.0]	7,200 [2.1]	11.50	13.50	74	1,000 [472]
RCFL-H*3621(RGFE-07?MCK?)		27,600 [8.1]	20,600 [6.0]	7,000 [2.1]	11.00	13.50	74	1,025 [484]
RCFL-H*3621(RGFE-09?ZCM?)		27,800 [8.1]	20,600 [6.0]	7,200 [2.1]	11.50	14.00	74	1,025 [484]
RCFL-H*3621(RGFE-10?ZCM?)		27,800 [8.1]	20,600 [6.0]	7,200 [2.1]	11.50	14.00	74	1,025 [484]
RCFL-H*3621(RGFG-06?MCK?)		27,800 [8.1]	20,600 [6.0]	7,200 [2.1]	11.50	13.50	74	1,000 [472]
RCFL-H*3621(RGFG-07?MCK?)		27,600 [8.1]	20,600 [6.0]	7,000 [2.1]	11.00	13.50	74	1,000 [472]
RCFL-H*3621(RGFG-09?ZCM?)		27,800 [8.1]	20,600 [6.0]	7,200 [2.1]	11.50	14.00	74	1,025 [484]
RCFL-H*3621(RGFG-10?ZCM?)		28,000 [8.2]	20,800 [6.1]	7,200 [2.1]	11.50	14.00	74	1,000 [472]
RCFL-H*3621(RGGE-06?MCK?)		27,600 [8.1]	20,200 [5.9]	7,400 [2.2]	11.50	14.00	74	925 [437]
RCFL-H*3621(RGGE-07?MCK?)		27,800 [8.1]	20,600 [6.0]	7,200 [2.1]	11.50	13.50	74	1,025 [484]
RCFL-H*3621(RGGE-09?ZCM?)		27,800 [8.1]	20,800 [6.1]	7,000 [2.1]	11.50	14.00	74	1,025 [484]
RCFL-H*3621(RGGE-10?ZCM?)		28,000 [8.2]	20,800 [6.1]	7,200 [2.1]	11.50	14.00	74	1,000 [472]
RCFL-H*3621(RGJF-06?MCK?)		27,600 [8.1]	20,200 [5.9]	7,400 [2.2]	11.50	14.00	74	925 [437]
RCFL-H*3621(RGJF-07?MCK?)		27,800 [8.1]	20,600 [6.0]	7,200 [2.1]	11.50	13.50	74	1,025 [484]
RCFL-H*3621(RGJF-09?ZCM?)		28,000 [8.2]	20,800 [6.1]	7,200 [2.1]	11.50	14.00	74	1,000 [472]
RCFL-H*3621(RGJF-10?ZCM?)		28,000 [8.2]	20,800 [6.1]	7,200 [2.1]	11.50	14.00	74	1,000 [472]
RCFL-H*3621(RGLE-07?AMK?)		27,800 [8.1]	20,800 [6.1]	7,000 [2.1]	11.50	14.00	74	1,025 [484]
RCFL-H*3621(RGLE-07?BRQ?)		28,000 [8.2]	20,800 [6.1]	7,200 [2.1]	12.00	14.50	74	1,025 [484]
RCFL-H*3621(RGLE-10?BRM?)		27,600 [8.1]	19,900 [5.8]	7,700 [2.3]	12.00	14.50	74	875 [413]
RCFL-H*3621(RGLT-07?AMK?)	27,800 [8.1]	20,200 [5.9]	7,600 [2.2]	12.00	14.50	74	925 [437]	

① Highest sales volume tested combination required by D.O.E. test procedures.

[ ] Designates Metric Conversions



## Performance Data @ AHRI Standard Conditions—Cooling

Model Numbers		80°F [26.5°C] DB/67°F [19.5°C] WB Indoor Air 95°F [35°C] DB Outdoor Air					Sound Rating dB	Indoor CFM [L/s]
Outdoor Unit 13A(-)N	Indoor Coil and/or Air Handler	Total Capacity BTU/H [kW]	Net Sensible BTU/H [kW]	Net Latent BTU/H [kW]	EER	SEER		
Rev. 5/17/12	RCFL-H*3621(RGLT-07?BRQ?)	28,000 [8.2]	20,800 [6.1]	7,200 [2.1]	12.00	14.50	74	1,000 [472]
	RCFL-H*3621(RGLT-10?BRM?)	28,000 [8.2]	20,800 [6.1]	7,200 [2.1]	12.00	14.50	74	1,000 [472]
	RCFL-H*3621(RGPE-05?BMK?)	27,800 [8.1]	20,600 [6.0]	7,200 [2.1]	11.50	14.00	74	975 [460]
	RCFL-H*3621(RGPE-07?AMK?)	27,800 [8.1]	20,800 [6.1]	7,000 [2.1]	11.50	14.00	74	1,000 [472]
	RCFL-H*3621(RGPE-07?BRQ?)	28,000 [8.2]	20,800 [6.1]	7,200 [2.1]	12.00	14.50	74	1,025 [484]
	RCFL-H*3621(RGPE-10?BRM?)	27,600 [8.1]	20,000 [5.9]	7,600 [2.2]	12.00	14.50	74	900 [425]
	RCFL-H*3621(RGPT-05?BMK?)	27,400 [8.0]	20,000 [5.9]	7,400 [2.2]	11.50	14.00	74	900 [425]
	RCFL-H*3621(RGPT-07?AMK?)	27,600 [8.1]	20,200 [5.9]	7,400 [2.2]	12.00	14.00	74	925 [437]
	RCFL-H*3621(RGPT-07?BRQ?)	28,200 [8.3]	21,100 [6.2]	7,100 [2.1]	12.00	14.50	74	1,000 [472]
	RCFL-H*3621(RGPT-10?BRM?)	28,000 [8.2]	20,800 [6.1]	7,200 [2.1]	12.00	14.50	74	1,000 [472]
30 (AJN)	RCFL-H*3621(RGRM-04?MAE?)	27,400 [8.0]	20,000 [5.9]	7,400 [2.2]	11.50	13.50	74	925 [437]
	RCFL-H*3621(RGRM-06?MAE?)	27,600 [8.1]	20,600 [6.0]	7,000 [2.1]	11.00	13.50	74	1,000 [472]
	RCFL-H*3621(RGRM-07?MAE?)	27,400 [8.0]	20,200 [5.9]	7,200 [2.1]	11.00	13.00	74	950 [448]
	RCFL-H*3621(RGRM-07?YBG?)	27,600 [8.1]	20,400 [6.0]	7,200 [2.1]	11.00	13.00	74	975 [460]
	RCFL-H*3621(RGRM-09?ZAJ?)	27,600 [8.1]	20,400 [6.0]	7,200 [2.1]	11.50	14.00	74	950 [448]
	RCFL-H*3621(RGRM-10?ZAJ?)	27,800 [8.1]	20,600 [6.0]	7,200 [2.1]	11.50	13.50	74	1,025 [484]
	RCFL-H*3621(RGTM-06?MAE?)	27,600 [8.1]	20,000 [5.9]	7,600 [2.2]	11.50	14.00	74	900 [425]
	RCFL-H*3621(RGTM-07?RBG?)	28,200 [8.3]	21,200 [6.2]	7,000 [2.1]	11.50	14.00	74	1,050 [495]
	RCFL-H*3621(RGTM-09?ZAJ?)	28,000 [8.2]	20,800 [6.1]	7,200 [2.1]	12.00	14.50	74	975 [460]
	RCFL-H*3621(RHWB-04WMX36A)	27,600 [8.1]	20,100 [5.9]	7,500 [2.2]	12.00	14.50	74	875 [413]
	RCFL-H*3621(RHWB-06WMX48A)	28,000 [8.2]	20,900 [6.1]	7,100 [2.1]	11.50	14.00	74	1,000 [472]
	RCFL-H*3621(ROCA-070E03)	28,000 [8.2]	20,800 [6.1]	7,200 [2.1]	11.50	14.00	74	1,000 [472]
	RCFL-H*3621(ROCA-070E04)	28,000 [8.2]	20,800 [6.1]	7,200 [2.1]	11.50	14.00	74	1,000 [472]
	RCFL-H*3621(ROLA-070E03)	28,000 [8.2]	20,800 [6.1]	7,200 [2.1]	11.50	14.00	74	975 [460]
	RCFL-H*3621(ROLA-070E04)	28,000 [8.2]	20,800 [6.1]	7,200 [2.1]	11.50	14.00	74	1,025 [484]
	RCFL-H*3621(ROLA-115E05)	27,600 [8.1]	20,000 [5.9]	7,600 [2.2]	11.50	14.00	74	900 [425]
	RCFL-H*3621+RXMD-C04	27,400 [8.0]	20,350 [6.0]	7,050 [2.1]	10.50	13.00	74	1,000 [472]
	RBHP-21(RCHL-36A1)	28,800 [8.4]	21,300 [6.2]	7,500 [2.2]	12.00	14.50	74	1,000 [472]
	RCQD-3621(RGFE-06?MCK?)	29,000 [8.5]	23,200 [6.8]	5,800 [1.7]	11.50	14.00	74	1,000 [472]
	RCQD-3621(RGFE-07?MCK?)	28,600 [8.4]	22,300 [6.5]	6,300 [1.8]	11.50	14.00	74	875 [413]
	RCQD-3621(RGFE-09?ZCM?)	29,400 [8.6]	23,600 [6.9]	5,800 [1.7]	12.00	14.50	74	975 [460]
	RCQD-3621(RGFE-10?ZCM?)	29,200 [8.6]	23,400 [6.9]	5,800 [1.7]	12.00	14.50	74	1,000 [472]
	RCQD-3621(RGFG-06?MCK?)	29,000 [8.5]	23,200 [6.8]	5,800 [1.7]	11.50	14.00	74	1,000 [472]
	RCQD-3621(RGFG-07?MCK?)	29,000 [8.5]	23,250 [6.8]	5,750 [1.7]	11.50	13.50	74	1,000 [472]
	RCQD-3621(RGFG-09?ZCM?)	29,400 [8.6]	23,600 [6.9]	5,800 [1.7]	12.00	14.50	74	975 [460]
	RCQD-3621(RGFG-10?ZCM?)	29,200 [8.6]	23,400 [6.9]	5,800 [1.7]	12.00	14.50	74	1,000 [472]
	RCQD-3621(RGJF-06?MCK?)	29,000 [8.5]	22,900 [6.7]	6,100 [1.8]	12.00	14.50	74	925 [437]
	RCQD-3621(RGJF-07?MCK?)	29,200 [8.6]	23,400 [6.9]	5,800 [1.7]	11.50	14.00	74	1,025 [484]
	RCQD-3621(RGJF-09?ZCM?)	29,200 [8.6]	23,400 [6.9]	5,800 [1.7]	12.00	14.50	74	1,025 [484]
	RCQD-3621(RGJF-10?ZCM?)	29,400 [8.6]	23,800 [7.0]	5,600 [1.6]	12.00	14.50	74	1,050 [495]
RCQD-3621(RGPE-05?BMK?)	29,200 [8.6]	23,400 [6.9]	5,800 [1.7]	11.50	14.00	74	975 [460]	
RCQD-3621(RGPE-07?AMK?)	28,800 [8.4]	22,600 [6.6]	6,200 [1.8]	12.00	14.50	74	900 [425]	
RCQD-3621(RGPE-07?BRQ?)	29,600 [8.7]	23,950 [7.0]	5,650 [1.7]	12.00	14.50	74	1,050 [495]	
RCQD-3621(RGPE-10?BRM?)	29,000 [8.5]	22,750 [6.7]	6,250 [1.8]	12.00	14.50	74	900 [425]	
RCQD-3621(RGPT-05?BMK?)	28,800 [8.4]	22,600 [6.6]	6,200 [1.8]	11.50	14.00	74	900 [425]	
RCQD-3621(RGPT-07?AMK?)	29,000 [8.5]	22,900 [6.7]	6,100 [1.8]	12.00	14.50	74	925 [437]	
RCQD-3621(RGPT-07?BRQ?)	29,600 [8.7]	23,950 [7.0]	5,650 [1.7]	12.00	14.50	74	1,050 [495]	
RCQD-3621(RGPT-10?BRM?)	29,600 [8.7]	23,950 [7.0]	5,650 [1.7]	12.00	14.50	74	1,050 [495]	
RCQD-3621(RGRM-04?MAE?)	28,800 [8.4]	22,700 [6.7]	6,100 [1.8]	11.50	14.00	74	925 [437]	
RCQD-3621(RGRM-06?MAE?)	28,600 [8.4]	22,400 [6.6]	6,200 [1.8]	11.50	14.00	74	900 [425]	

① Highest sales volume tested combination required by D.O.E. test procedures.

[ ] Designates Metric Conversions

**Performance Data @ AHRI Standard Conditions—Cooling**

Model Numbers		80°F [26.5°C] DB/67°F [19.5°C] WB Indoor Air 95°F [35°C] DB Outdoor Air					Sound Rating dB	Indoor CFM [L/s]
Outdoor Unit 13A(-)N	Indoor Coil and/or Air Handler	Total Capacity BTU/H [kW]	Net Sensible BTU/H [kW]	Net Latent BTU/H [kW]	EER	SEER		
Rev. 5/17/12	RCQD-3621(RGRM-07?MAE?)	28,800 [8.4]	22,850 [6.7]	5,950 [1.7]	11.50	13.50	74	950 [448]
	RCQD-3621(RGRM-07?YBG?)	29,200 [8.6]	23,650 [6.9]	5,550 [1.6]	11.50	13.50	74	1,050 [495]
	RCQD-3621(RGRM-09?ZAJ?)	29,000 [8.5]	23,000 [6.7]	6,000 [1.8]	11.50	14.00	74	950 [448]
	RCQD-3621(RGRM-10?ZAJ?)	29,200 [8.6]	23,400 [6.9]	5,800 [1.7]	11.50	14.00	74	1,025 [484]
	RCQD-3621(RGTM-06?MAE?)	28,800 [8.4]	22,600 [6.6]	6,200 [1.8]	12.00	14.50	74	900 [425]
	RCQD-3621(RGTM-07?RBG?)	29,600 [8.7]	24,000 [7.0]	5,600 [1.6]	12.00	14.50	74	1,050 [495]
	RCQD-3621(RGTM-09?ZAJ?)	29,400 [8.6]	23,550 [6.9]	5,850 [1.7]	12.00	14.50	74	975 [460]
	RCQD-3621(RHWB-04WMX36A)	29,800 [8.7]	24,500 [7.2]	5,300 [1.6]	12.00	14.50	74	1,100 [519]
	RCQD-3621(RHWB-06WMX48A)	29,400 [8.6]	23,700 [6.9]	5,700 [1.7]	12.00	14.50	74	1,025 [484]
	RCQD-3621(ROCA-070E03)	29,200 [8.6]	23,400 [6.9]	5,800 [1.7]	12.00	14.50	74	1,000 [472]
	RCQD-3621(ROCA-070E04)	29,200 [8.6]	23,400 [6.9]	5,800 [1.7]	12.00	14.50	74	1,000 [472]
	RCQD-3621(ROLA-070E03)	29,400 [8.6]	23,550 [6.9]	5,850 [1.7]	12.00	14.50	74	975 [460]
	RCQD-3621(ROLA-070E04)	29,200 [8.6]	23,400 [6.9]	5,800 [1.7]	12.00	14.50	74	1,025 [484]
	RCQD-3621(ROLA-115E05)	29,600 [8.7]	24,000 [7.0]	5,600 [1.6]	12.00	14.50	74	1,050 [495]
	RCQD-3621+RXMD-C04	28,600 [8.4]	22,900 [6.7]	5,700 [1.7]	11.00	13.00	74	1,025 [484]
	RCQD-3624(RGFE-09?ZCM?)	29,400 [8.6]	23,550 [6.9]	5,850 [1.7]	12.00	14.50	74	975 [460]
	RCQD-3624(RGFE-10?ZCM?)	29,400 [8.6]	23,600 [6.9]	5,800 [1.7]	12.00	14.50	74	1,000 [472]
	RCQD-3624(RGFE-12?RCM?)	29,400 [8.6]	23,550 [6.9]	5,850 [1.7]	12.00	14.50	74	1,025 [484]
	RCQD-3624(RGFG-09?ZCM?)	29,400 [8.6]	23,550 [6.9]	5,850 [1.7]	12.00	14.50	74	975 [460]
	RCQD-3624(RGFG-10?ZCM?)	29,200 [8.6]	23,400 [6.9]	5,800 [1.7]	12.00	14.50	74	1,000 [472]
	RCQD-3624(RGFG-12?RCM?)	29,400 [8.6]	23,550 [6.9]	5,850 [1.7]	12.00	14.50	74	1,025 [484]
	RCQD-3624(RGJF-09?ZCM?)	29,200 [8.6]	23,400 [6.9]	5,800 [1.7]	12.00	14.50	74	1,025 [484]
	RCQD-3624(RGJF-10?ZCM?)	29,600 [8.7]	24,000 [7.0]	5,600 [1.6]	12.00	14.50	74	1,050 [495]
	RCQD-3624(RGJF-12?RCM?)	29,600 [8.7]	23,950 [7.0]	5,650 [1.7]	12.00	14.50	74	1,050 [495]
	RCQD-3624(RGPE-07?BRQ?)	29,600 [8.7]	23,950 [7.0]	5,650 [1.7]	12.00	14.50	74	1,050 [495]
	RCQD-3624(RGPE-10?BRM?)	29,000 [8.5]	22,750 [6.7]	6,250 [1.8]	12.00	14.50	74	900 [425]
	RCQD-3624(RGPE-12?ARM?)	28,800 [8.4]	22,450 [6.6]	6,350 [1.9]	12.00	14.50	74	875 [413]
	RCQD-3624(RGPT-07?BRQ?)	29,600 [8.7]	23,950 [7.0]	5,650 [1.7]	12.00	14.50	74	1,050 [495]
	RCQD-3624(RGPT-10?BRM?)	29,800 [8.7]	24,250 [7.1]	5,550 [1.6]	12.00	14.50	74	1,075 [507]
	RCQD-3624(RGPT-12?ARM?)	29,600 [8.7]	23,750 [7.0]	5,850 [1.7]	12.00	14.50	74	975 [460]
	RCQD-3624(RGRM-07?YBG?)	29,200 [8.6]	23,650 [6.9]	5,550 [1.6]	11.50	13.50	74	1,050 [495]
	RCQD-3624(RGRM-09?ZAJ?)	29,000 [8.5]	23,000 [6.7]	6,000 [1.8]	12.00	14.50	74	950 [448]
RCQD-3624(RGRM-10?ZAJ?)	28,800 [8.4]	22,500 [6.6]	6,300 [1.8]	12.00	14.50	74	875 [413]	
RCQD-3624(RGRM-12?RAJ?)	29,000 [8.5]	22,850 [6.7]	6,150 [1.8]	12.00	14.50	74	925 [437]	
RCQD-3624(RGTM-07?RBG?)	29,600 [8.7]	23,950 [7.0]	5,650 [1.7]	12.00	14.50	74	1,050 [495]	
RCQD-3624(RGTM-09?ZAJ?)	29,400 [8.6]	23,550 [6.9]	5,850 [1.7]	12.00	14.50	74	975 [460]	
RCQD-3624(RGTM-10?RBJ?)	29,400 [8.6]	23,550 [6.9]	5,850 [1.7]	12.00	14.50	74	975 [460]	
RCQD-3624(ROCA-070E03)	29,200 [8.6]	23,400 [6.9]	5,800 [1.7]	12.00	14.50	74	1,000 [472]	
RCQD-3624(ROCA-070E04)	29,200 [8.6]	23,400 [6.9]	5,800 [1.7]	12.00	14.50	74	1,000 [472]	
RCQD-3624(ROLA-070E03)	29,400 [8.6]	23,550 [6.9]	5,850 [1.7]	12.00	14.50	74	975 [460]	
RCQD-3624(ROLA-070E04)	29,400 [8.6]	23,600 [6.9]	5,800 [1.7]	12.00	14.50	74	1,025 [484]	
RCQD-3624(ROLA-115E05)	29,600 [8.7]	23,950 [7.0]	5,650 [1.7]	12.00	14.50	74	1,050 [495]	
RCQD-3624+RXMD-C04	28,600 [8.4]	22,900 [6.7]	5,700 [1.7]	11.00	13.00	74	1,025 [484]	
RHKL-HM3617(RCSL-H*3617)	28,000 [8.2]	20,800 [6.1]	7,200 [2.1]	11.50	14.00	74	1,025 [484]	
RHLL-HM3617(RCSL-H*3617)	28,000 [8.2]	20,800 [6.1]	7,200 [2.1]	11.50	14.00	74	1,000 [472]	
RHSL-HM3017(RCSL-H*3617)	27,600 [8.1]	20,400 [6.0]	7,200 [2.1]	11.00	13.00	74	975 [460]	
36 (AJN, ACN, ADN)	RCFL-H*3617 ①	34,200 [10.0]	24,000 [7.0]	10,200 [3.0]	11.00	13.00	74	1,000 [472]
	RHAL-FR36P	34,800 [10.2]	26,200 [7.7]	8,500 [2.5]	11.00	13.00	74	1,175 [554]
	RHAL-FR36T	34,800 [10.2]	26,200 [7.7]	8,500 [2.5]	10.30	13.00	74	1,175 [554]
	RHBL-FR36T	34,800 [10.2]	26,200 [7.7]	8,500 [2.5]	10.75	14.00	74	1,150 [543]

① Highest sales volume tested combination required by D.O.E. test procedures.

[ ] Designates Metric Conversions

## Performance Data @ AHRI Standard Conditions—Cooling

Model Numbers		80°F [26.5°C] DB/67°F [19.5°C] WB Indoor Air 95°F [35°C] DB Outdoor Air					Sound Rating dB	Indoor CFM [L/s]	
Outdoor Unit 13A(-)N	Indoor Coil and/or Air Handler	Total Capacity BTU/H [kW]	Net Sensible BTU/H [kW]	Net Latent BTU/H [kW]	EER	SEER			
Rev. 5/17/12	RCFL-A*3617	34,200 [10.0]	23,950 [7.0]	10,250 [3.0]	10.50	13.00	74	1,000 [472]	
	RCFL-A*3617(RGFE-06?MCK?)	34,400 [10.1]	24,200 [7.1]	10,200 [3.0]	11.00	13.00	74	1,000 [472]	
	RCFL-A*3617(RGFE-07?MCK?)	34,400 [10.1]	24,000 [7.0]	10,400 [3.0]	11.00	13.00	74	1,025 [484]	
	RCFL-A*3617(RGFG-06?MCK?)	34,400 [10.1]	24,200 [7.1]	10,200 [3.0]	11.00	13.00	74	1,000 [472]	
	RCFL-A*3617(RGFG-07?MCK?)	34,400 [10.1]	24,000 [7.0]	10,400 [3.0]	11.00	13.00	74	1,000 [472]	
	RCFL-A*3617(RGGE-06?MCK?)	34,600 [10.1]	24,200 [7.1]	10,400 [3.0]	11.50	13.50	74	1,025 [484]	
	RCFL-A*3617(RGGE-07?MCK?)	34,600 [10.1]	24,200 [7.1]	10,400 [3.0]	11.50	13.00	74	1,025 [484]	
	RCFL-A*3617(RGJF-06?MCK?)	34,600 [10.1]	24,200 [7.1]	10,400 [3.0]	11.50	13.50	74	1,025 [484]	
	RCFL-A*3617(RGLE-07?AMK?)	34,600 [10.1]	24,200 [7.1]	10,400 [3.0]	11.50	13.50	74	1,025 [484]	
	RCFL-A*3617(RGLT-07?AMK?)	34,800 [10.2]	24,800 [7.3]	10,000 [2.9]	11.50	13.50	74	1,050 [495]	
	RCFL-A*3617(RGPE-07?AMK?)	34,600 [10.1]	24,200 [7.1]	10,400 [3.0]	11.50	13.50	74	1,000 [472]	
	RCFL-A*3617(RGPT-05?BMK?)	34,800 [10.2]	24,600 [7.2]	10,200 [3.0]	11.00	13.00	74	1,050 [495]	
	RCFL-A*3617(RGPT-07?AMK?)	34,800 [10.2]	24,800 [7.3]	10,000 [2.9]	11.50	13.50	74	1,050 [495]	
	RCFL-A*3617(RGRM-04?MAE?)	34,400 [10.1]	24,000 [7.0]	10,400 [3.0]	11.00	13.00	74	1,025 [484]	
	RCFL-A*3617(RGRM-06?MAE?)	34,400 [10.1]	24,200 [7.1]	10,200 [3.0]	11.00	13.00	74	1,000 [472]	
	RCFL-A*3617(RGTM-06?MAE?)	34,800 [10.2]	24,800 [7.3]	10,000 [2.9]	11.00	13.00	74	1,075 [507]	
	RCFL-A*3617(RHWB-04WMX36A)	35,200 [10.3]	25,600 [7.5]	9,600 [2.8]	11.00	13.00	74	1,150 [543]	
	RCFL-A*3617(RHWB-06WMX48A)	35,200 [10.3]	25,600 [7.5]	9,600 [2.8]	11.00	13.00	74	1,150 [543]	
	36 (AJN, ACN, ADN)	RCFL-A*3617(ROCA-070E03)	34,600 [10.1]	24,200 [7.1]	10,400 [3.0]	11.50	13.50	74	1,000 [472]
		RCFL-A*3617(ROCA-070E04)	34,600 [10.1]	24,200 [7.1]	10,400 [3.0]	11.50	13.50	74	1,000 [472]
RCFL-A*3617(ROLA-070E04)		34,600 [10.1]	24,200 [7.1]	10,400 [3.0]	11.50	13.50	74	1,025 [484]	
RCFL-A*3621		34,200 [10.0]	23,950 [7.0]	10,250 [3.0]	10.50	13.00	74	1,000 [472]	
RCFL-A*3621(RGFE-06?MCK?)		34,400 [10.1]	24,200 [7.1]	10,200 [3.0]	11.50	13.00	74	1,000 [472]	
RCFL-A*3621(RGFE-07?MCK?)		34,400 [10.1]	24,200 [7.1]	10,200 [3.0]	11.00	13.00	74	1,025 [484]	
RCFL-A*3621(RGFE-09?ZCM?)		34,600 [10.1]	24,200 [7.1]	10,400 [3.0]	11.50	13.50	74	1,025 [484]	
RCFL-A*3621(RGFE-10?ZCM?)		34,600 [10.1]	24,200 [7.1]	10,400 [3.0]	11.50	13.50	74	1,025 [484]	
RCFL-A*3621(RGFG-06?MCK?)		34,400 [10.1]	24,200 [7.1]	10,200 [3.0]	11.00	13.00	74	1,000 [472]	
RCFL-A*3621(RGFG-07?MCK?)		34,400 [10.1]	24,200 [7.1]	10,200 [3.0]	11.00	13.00	74	1,000 [472]	
RCFL-A*3621(RGFG-09?ZCM?)		34,600 [10.1]	24,200 [7.1]	10,400 [3.0]	11.50	13.50	74	1,025 [484]	
RCFL-A*3621(RGFG-10?ZCM?)		34,800 [10.2]	24,800 [7.3]	10,000 [2.9]	11.50	13.50	74	1,050 [495]	
RCFL-A*3621(RGGE-06?MCK?)		34,600 [10.1]	24,200 [7.1]	10,400 [3.0]	11.50	13.50	74	1,025 [484]	
RCFL-A*3621(RGGE-07?MCK?)		34,600 [10.1]	24,200 [7.1]	10,400 [3.0]	11.50	13.50	74	1,025 [484]	
RCFL-A*3621(RGGE-09?ZCM?)		34,800 [10.2]	24,400 [7.1]	10,400 [3.0]	11.50	13.50	74	1,000 [472]	
RCFL-A*3621(RGGE-10?ZCM?)		35,000 [10.3]	24,800 [7.3]	10,200 [3.0]	11.50	13.50	74	1,050 [495]	
RCFL-A*3621(RGJF-06?MCK?)		34,600 [10.1]	24,200 [7.1]	10,400 [3.0]	11.50	13.50	74	1,025 [484]	
RCFL-A*3621(RGLE-07?AMK?)		34,600 [10.1]	24,200 [7.1]	10,400 [3.0]	11.50	13.50	74	1,025 [484]	
RCFL-A*3621(RGLE-07?BRQ?)		34,800 [10.2]	24,400 [7.1]	10,400 [3.0]	11.50	13.50	74	1,025 [484]	
RCFL-A*3621(RGLE-10?BRM?)		35,200 [10.3]	24,800 [7.3]	10,400 [3.0]	11.50	14.00	74	1,050 [495]	
RCFL-A*3621(RGLT-07?AMK?)		35,000 [10.3]	25,000 [7.3]	10,000 [2.9]	11.50	13.50	74	1,075 [507]	
RCFL-A*3621(RGLT-07?BRQ?)		34,800 [10.2]	24,600 [7.2]	10,200 [3.0]	11.50	14.00	74	975 [460]	
RCFL-A*3621(RGLT-10?BRM?)		34,800 [10.2]	24,600 [7.2]	10,200 [3.0]	11.50	14.00	74	975 [460]	
RCFL-A*3621(RGPE-07?AMK?)		34,600 [10.1]	24,200 [7.1]	10,400 [3.0]	11.50	13.50	74	1,000 [472]	
RCFL-A*3621(RGPE-07?BRQ?)		35,000 [10.3]	24,800 [7.3]	10,200 [3.0]	11.50	13.50	74	1,050 [495]	
RCFL-A*3621(RGPE-10?BRM?)		35,200 [10.3]	25,000 [7.3]	10,200 [3.0]	11.50	14.00	74	1,075 [507]	
RCFL-A*3621(RGPT-05?BMK?)		34,800 [10.2]	24,900 [7.3]	9,900 [2.9]	11.00	13.00	74	1,075 [507]	
RCFL-A*3621(RGPT-07?AMK?)		34,800 [10.2]	24,800 [7.3]	10,000 [2.9]	11.50	13.50	74	1,050 [495]	
RCFL-A*3621(RGPT-07?BRQ?)		34,800 [10.2]	24,600 [7.2]	10,200 [3.0]	11.50	14.00	74	975 [460]	
RCFL-A*3621(RGPT-10?BRM?)		34,800 [10.2]	24,600 [7.2]	10,200 [3.0]	11.50	14.00	74	975 [460]	
RCFL-A*3621(RGRM-04?MAE?)		34,400 [10.1]	24,000 [7.0]	10,400 [3.0]	11.00	13.00	74	1,025 [484]	
RCFL-A*3621(RGRM-06?MAE?)		34,400 [10.1]	24,200 [7.1]	10,200 [3.0]	11.00	13.00	74	1,000 [472]	

① Highest sales volume tested combination required by D.O.E. test procedures.

[ ] Designates Metric Conversions

**Performance Data @ AHRI Standard Conditions—Cooling**

Model Numbers		80°F [26.5°C] DB/67°F [19.5°C] WB Indoor Air 95°F [35°C] DB Outdoor Air					Sound Rating dB	Indoor CFM [L/s]
Outdoor Unit 13A(-)N	Indoor Coil and/or Air Handler	Total Capacity BTU/H [kW]	Net Sensible BTU/H [kW]	Net Latent BTU/H [kW]	EER	SEER		
Rev. 5/17/12	RCFL-A*3621(RGRM-07?YBG?)	34,400 [10.1]	24,000 [7.0]	10,400 [3.0]	11.00	13.00	74	975 [460]
	RCFL-A*3621(RGRM-09?ZAJ?)	35,000 [10.3]	24,800 [7.3]	10,200 [3.0]	11.50	13.00	74	1,075 [507]
	RCFL-A*3621(RGRM-10?ZAJ?)	34,600 [10.1]	24,200 [7.1]	10,400 [3.0]	11.50	13.50	74	1,025 [484]
	RCFL-A*3621(RGTM-06?MAE?)	35,000 [10.3]	24,800 [7.3]	10,200 [3.0]	11.50	13.00	74	1,075 [507]
	RCFL-A*3621(RGTM-07?RBG?)	35,400 [10.4]	25,400 [7.4]	10,000 [2.9]	11.50	13.50	74	1,125 [531]
	RCFL-A*3621(RGTM-09?ZAJ?)	35,200 [10.3]	25,200 [7.4]	10,000 [2.9]	11.50	13.50	74	1,100 [519]
	RCFL-A*3621(RHWB-04WMX36A)	34,600 [10.1]	24,400 [7.1]	10,200 [3.0]	11.50	13.50	74	1,025 [484]
	RCFL-A*3621(ROCA-070E03)	34,600 [10.1]	24,200 [7.1]	10,400 [3.0]	11.50	13.50	74	1,000 [472]
	RCFL-A*3621(ROCA-070E04)	34,600 [10.1]	24,200 [7.1]	10,400 [3.0]	11.50	13.50	74	1,000 [472]
	RCFL-A*3621(ROLA-070E04)	34,600 [10.1]	24,200 [7.1]	10,400 [3.0]	11.50	13.50	74	1,025 [484]
	RCFL-A*3621(ROLA-115E05)	35,000 [10.3]	24,800 [7.3]	10,200 [3.0]	11.50	13.50	74	1,050 [495]
	RCFL-H*3617(RGFE-06?MCK?)	34,400 [10.1]	24,200 [7.1]	10,200 [3.0]	11.00	13.00	74	1,000 [472]
	RCFL-H*3617(RGFE-07?MCK?)	34,400 [10.1]	24,000 [7.0]	10,400 [3.0]	11.00	13.00	74	1,025 [484]
	RCFL-H*3617(RGFG-06?MCK?)	34,400 [10.1]	24,200 [7.1]	10,200 [3.0]	11.00	13.00	74	1,000 [472]
	RCFL-H*3617(RGFG-07?MCK?)	34,400 [10.1]	24,000 [7.0]	10,400 [3.0]	11.00	13.00	74	1,000 [472]
	RCFL-H*3617(RGGE-06?MCK?)	34,600 [10.1]	24,200 [7.1]	10,400 [3.0]	11.50	13.50	74	1,025 [484]
	RCFL-H*3617(RGGE-07?MCK?)	34,600 [10.1]	24,200 [7.1]	10,400 [3.0]	11.00	13.00	74	1,025 [484]
	RCFL-H*3617(RGJF-06?MCK?)	34,600 [10.1]	24,200 [7.1]	10,400 [3.0]	11.50	13.50	74	1,025 [484]
	RCFL-H*3617(RGJF-07?MCK?)	34,600 [10.1]	24,200 [7.1]	10,400 [3.0]	11.50	13.00	74	1,025 [484]
	RCFL-H*3617(RGLE-07?AMK?)	34,600 [10.1]	24,200 [7.1]	10,400 [3.0]	11.50	13.50	74	1,025 [484]
	RCFL-H*3617(RGLT-07?AMK?)	34,800 [10.2]	24,800 [7.3]	10,000 [2.9]	11.50	13.50	74	1,050 [495]
	RCFL-H*3617(RGPE-07?AMK?)	34,600 [10.1]	24,200 [7.1]	10,400 [3.0]	11.50	13.50	74	1,000 [472]
	RCFL-H*3617(RGPT-05?BMK?)	34,800 [10.2]	24,600 [7.2]	10,200 [3.0]	11.00	13.00	74	1,050 [495]
	RCFL-H*3617(RGPT-07?AMK?)	34,800 [10.2]	24,800 [7.3]	10,000 [2.9]	11.50	13.50	74	1,050 [495]
	RCFL-H*3617(RGRM-04?MAE?)	34,400 [10.1]	24,000 [7.0]	10,400 [3.0]	11.00	13.00	74	1,025 [484]
	RCFL-H*3617(RGRM-06?MAE?)	34,400 [10.1]	24,200 [7.1]	10,200 [3.0]	11.00	13.00	74	1,000 [472]
	RCFL-H*3617(RGTM-06?MAE?)	34,800 [10.2]	24,800 [7.3]	10,000 [2.9]	11.00	13.00	74	1,075 [507]
	RCFL-H*3617(RHWB-04WMX36A)	35,200 [10.3]	25,600 [7.5]	9,600 [2.8]	11.00	13.00	74	1,150 [543]
	RCFL-H*3617(RHWB-06WMX48A)	35,200 [10.3]	25,600 [7.5]	9,600 [2.8]	11.00	13.00	74	1,150 [543]
	RCFL-H*3617(ROCA-070E03)	34,600 [10.1]	24,200 [7.1]	10,400 [3.0]	11.50	13.50	74	1,000 [472]
	RCFL-H*3617(ROCA-070E04)	34,600 [10.1]	24,200 [7.1]	10,400 [3.0]	11.50	13.50	74	1,000 [472]
	RCFL-H*3617(ROLA-070E04)	34,600 [10.1]	24,200 [7.1]	10,400 [3.0]	11.50	13.50	74	1,025 [484]
	RCFL-H*3621	34,200 [10.0]	23,950 [7.0]	10,250 [3.0]	10.50	13.00	74	1,000 [472]
	RCFL-H*3621(RGFE-06?MCK?)	34,400 [10.1]	24,200 [7.1]	10,200 [3.0]	11.00	13.00	74	1,000 [472]
	RCFL-H*3621(RGFE-07?MCK?)	34,400 [10.1]	24,200 [7.1]	10,200 [3.0]	11.00	13.00	74	1,025 [484]
	RCFL-H*3621(RGFE-09?ZCM?)	34,600 [10.1]	24,200 [7.1]	10,400 [3.0]	11.50	13.50	74	1,025 [484]
	RCFL-H*3621(RGFE-10?ZCM?)	34,600 [10.1]	24,200 [7.1]	10,400 [3.0]	11.50	13.50	74	1,000 [472]
	RCFL-H*3621(RGFG-06?MCK?)	34,400 [10.1]	24,200 [7.1]	10,200 [3.0]	11.00	13.00	74	1,000 [472]
	RCFL-H*3621(RGFG-07?MCK?)	34,400 [10.1]	24,200 [7.1]	10,200 [3.0]	11.00	13.00	74	1,000 [472]
	RCFL-H*3621(RGFG-09?ZCM?)	34,600 [10.1]	24,200 [7.1]	10,400 [3.0]	11.50	13.50	74	1,025 [484]
RCFL-H*3621(RGFG-10?ZCM?)	34,800 [10.2]	24,800 [7.3]	10,000 [2.9]	11.50	13.50	74	1,050 [495]	
RCFL-H*3621(RGGE-06?MCK?)	34,600 [10.1]	24,200 [7.1]	10,400 [3.0]	11.50	13.50	74	1,025 [484]	
RCFL-H*3621(RGGE-07?MCK?)	34,600 [10.1]	24,200 [7.1]	10,400 [3.0]	11.50	13.50	74	1,025 [484]	
RCFL-H*3621(RGGE-09?ZCM?)	34,800 [10.2]	24,400 [7.1]	10,400 [3.0]	11.50	13.50	74	1,000 [472]	
RCFL-H*3621(RGGE-10?ZCM?)	35,000 [10.3]	24,800 [7.3]	10,200 [3.0]	11.50	13.50	74	1,050 [495]	
RCFL-H*3621(RGJF-06?MCK?)	34,600 [10.1]	24,200 [7.1]	10,400 [3.0]	11.50	13.50	74	1,025 [484]	
RCFL-H*3621(RGJF-07?MCK?)	34,600 [10.1]	24,200 [7.1]	10,400 [3.0]	11.50	13.50	74	1,025 [484]	
RCFL-H*3621(RGJF-09?ZCM?)	34,800 [10.2]	24,400 [7.1]	10,400 [3.0]	11.50	13.50	74	1,000 [472]	
RCFL-H*3621(RGJF-10?ZCM?)	35,000 [10.3]	24,800 [7.3]	10,200 [3.0]	11.50	13.50	74	1,050 [495]	
RCFL-H*3621(RGLE-07?AMK?)	34,600 [10.1]	24,200 [7.1]	10,400 [3.0]	11.50	13.50	74	1,025 [484]	

 36  
 (AJN,  
 ACN,  
 ADN)

① Highest sales volume tested combination required by D.O.E. test procedures.

[ ] Designates Metric Conversions

## Performance Data @ AHRI Standard Conditions—Cooling

Model Numbers		80°F [26.5°C] DB/67°F [19.5°C] WB Indoor Air 95°F [35°C] DB Outdoor Air					Sound Rating dB	Indoor CFM [L/s]
Outdoor Unit 13A(-)N	Indoor Coil and/or Air Handler	Total Capacity BTU/H [kW]	Net Sensible BTU/H [kW]	Net Latent BTU/H [kW]	EER	SEER		
Rev. 5/17/12	RCFL-H*3621(RGLE-07?BRQ?)	34,800 [10.2]	24,400 [7.1]	10,400 [3.0]	11.50	13.50	74	1,025 [484]
	RCFL-H*3621(RGLE-10?BRM?)	35,200 [10.3]	24,800 [7.3]	10,400 [3.0]	11.50	14.00	74	1,050 [495]
	RCFL-H*3621(RGLT-07?AMK?)	35,000 [10.3]	25,000 [7.3]	10,000 [2.9]	11.50	13.50	74	1,075 [507]
	RCFL-H*3621(RGLT-07?BRQ?)	34,800 [10.2]	24,600 [7.2]	10,200 [3.0]	11.50	14.00	74	975 [460]
	RCFL-H*3621(RGLT-10?BRM?)	34,800 [10.2]	24,600 [7.2]	10,200 [3.0]	11.50	14.00	74	975 [460]
	RCFL-H*3621(RGPE-07?AMK?)	34,600 [10.1]	24,200 [7.1]	10,400 [3.0]	11.50	13.50	74	1,000 [472]
	RCFL-H*3621(RGPE-07?BRQ?)	35,000 [10.3]	24,800 [7.3]	10,200 [3.0]	11.50	13.50	74	1,050 [495]
	RCFL-H*3621(RGPE-10?BRM?)	35,200 [10.3]	25,000 [7.3]	10,200 [3.0]	11.50	14.00	74	1,075 [507]
	RCFL-H*3621(RGPT-05?BMK?)	34,800 [10.2]	24,900 [7.3]	9,900 [2.9]	11.00	13.00	74	1,075 [507]
	RCFL-H*3621(RGPT-07?AMK?)	34,800 [10.2]	24,800 [7.3]	10,000 [2.9]	11.50	13.50	74	1,050 [495]
	RCFL-H*3621(RGPT-07?BRQ?)	34,800 [10.2]	24,600 [7.2]	10,200 [3.0]	11.50	14.00	74	975 [460]
	RCFL-H*3621(RGPT-10?BRM?)	34,800 [10.2]	24,600 [7.2]	10,200 [3.0]	11.50	14.00	74	975 [460]
	RCFL-H*3621(RGRM-04?MAE?)	34,400 [10.1]	24,000 [7.0]	10,400 [3.0]	11.00	13.00	74	1,025 [484]
	RCFL-H*3621(RGRM-06?MAE?)	34,400 [10.1]	24,200 [7.1]	10,200 [3.0]	11.00	13.00	74	1,000 [472]
	RCFL-H*3621(RGRM-07?YBG?)	34,400 [10.1]	24,000 [7.0]	10,400 [3.0]	11.00	13.00	74	975 [460]
	RCFL-H*3621(RGRM-09?ZAJ?)	35,000 [10.3]	24,800 [7.3]	10,200 [3.0]	11.00	13.00	74	1,075 [507]
	RCFL-H*3621(RGRM-10?ZAJ?)	34,600 [10.1]	24,200 [7.1]	10,400 [3.0]	11.50	13.50	74	1,025 [484]
	RCFL-H*3621(RGTM-06?MAE?)	35,000 [10.3]	24,800 [7.3]	10,200 [3.0]	11.50	13.00	74	1,075 [507]
	RCFL-H*3621(RGTM-07?RBG?)	35,000 [10.3]	24,800 [7.3]	10,200 [3.0]	11.50	13.50	74	1,050 [495]
	RCFL-H*3621(RGTM-09?ZAJ?)	35,200 [10.3]	25,200 [7.4]	10,000 [2.9]	11.50	13.50	74	1,100 [519]
36 (AJN, ACN, ADN)	RCFL-H*3621(RHWB-04WMX36A)	34,600 [10.1]	24,400 [7.1]	10,200 [3.0]	11.50	13.50	74	1,025 [484]
	RCFL-H*3621(ROCA-070E03)	34,600 [10.1]	24,200 [7.1]	10,400 [3.0]	11.50	13.50	74	1,000 [472]
	RCFL-H*3621(ROCA-070E04)	34,600 [10.1]	24,200 [7.1]	10,400 [3.0]	11.50	13.50	74	1,000 [472]
	RCFL-H*3621(ROLA-070E04)	34,600 [10.1]	24,200 [7.1]	10,400 [3.0]	11.50	13.50	74	1,025 [484]
	RCFL-H*3621(ROLA-115E05)	35,000 [10.3]	24,800 [7.3]	10,200 [3.0]	11.50	13.50	74	1,050 [495]
	RBHP-21(RCHL-36A1)	36,000 [10.5]	27,100 [7.9]	8,900 [2.6]	11.50	14.00	74	1,200 [566]
	RCQD-3621(RGFE-06?MCK?)	37,000 [10.8]	29,500 [8.6]	7,500 [2.2]	11.00	13.00	74	1,200 [566]
	RCQD-3621(RGFE-09?ZCM?)	37,400 [11.0]	29,850 [8.7]	7,550 [2.2]	11.50	13.50	74	1,200 [566]
	RCQD-3621(RGFE-10?ZCM?)	37,600 [11.0]	30,150 [8.8]	7,450 [2.2]	11.50	13.50	74	1,225 [578]
	RCQD-3621(RGFG-06?MCK?)	37,000 [10.8]	29,500 [8.6]	7,500 [2.2]	11.00	13.00	74	1,200 [566]
	RCQD-3621(RGFG-09?ZCM?)	37,400 [11.0]	29,850 [8.7]	7,550 [2.2]	11.50	13.50	74	1,200 [566]
	RCQD-3621(RGFG-10?ZCM?)	36,800 [10.8]	28,450 [8.3]	8,350 [2.4]	11.50	14.00	74	1,050 [495]
	RCQD-3621(RGJF-06?MCK?)	37,200 [10.9]	29,650 [8.7]	7,550 [2.2]	11.00	13.00	74	1,200 [566]
	RCQD-3621(RGJF-07?MCK?)	37,200 [10.9]	29,700 [8.7]	7,500 [2.2]	11.00	13.00	74	1,200 [566]
	RCQD-3621(RGJF-09?ZCM?)	37,600 [11.0]	30,150 [8.8]	7,450 [2.2]	11.50	13.50	74	1,225 [578]
	RCQD-3621(RGJF-10?ZCM?)	36,800 [10.8]	28,450 [8.3]	8,350 [2.4]	11.50	14.00	74	1,050 [495]
	RCQD-3621(RGPE-05?BMK?)	37,200 [10.9]	29,650 [8.7]	7,550 [2.2]	11.50	13.00	74	1,200 [566]
	RCQD-3621(RGPE-07?AMK?)	37,400 [11.0]	29,950 [8.8]	7,450 [2.2]	11.50	13.50	74	1,225 [578]
	RCQD-3621(RGPE-07?BRQ?)	37,800 [11.1]	30,300 [8.9]	7,500 [2.2]	11.50	14.00	74	1,225 [578]
	RCQD-3621(RGPE-10?BRM?)	37,800 [11.1]	30,300 [8.9]	7,500 [2.2]	11.50	14.00	74	1,225 [578]
RCQD-3621(RGPT-05?BMK?)	36,800 [10.8]	28,750 [8.4]	8,050 [2.4]	11.50	13.50	74	1,100 [519]	
RCQD-3621(RGPT-07?AMK?)	37,000 [10.8]	29,000 [8.5]	8,000 [2.3]	11.50	13.50	74	1,100 [519]	
RCQD-3621(RGPT-07?BRQ?)	37,000 [10.8]	28,600 [8.4]	8,400 [2.5]	11.50	14.00	74	1,050 [495]	
RCQD-3621(RGPT-10?BRM?)	37,000 [10.8]	28,600 [8.4]	8,400 [2.5]	11.50	14.00	74	1,050 [495]	
RCQD-3621(RGRM-04?MAE?)	36,200 [10.6]	27,700 [8.1]	8,500 [2.5]	11.50	13.00	74	1,025 [484]	
RCQD-3621(RGRM-07?MAE?)	36,000 [10.5]	27,500 [8.1]	8,500 [2.5]	11.00	13.00	74	1,025 [484]	
RCQD-3621(RGRM-07?YBG?)	36,400 [10.7]	28,150 [8.2]	8,250 [2.4]	11.00	13.00	74	1,050 [495]	
RCQD-3621(RGRM-09?ZAJ?)	37,400 [11.0]	30,000 [8.8]	7,400 [2.2]	11.50	13.50	74	1,225 [578]	
RCQD-3621(RGRM-10?ZAJ?)	37,000 [10.8]	29,200 [8.6]	7,800 [2.3]	11.50	13.50	74	1,150 [543]	
RCQD-3621(RGTM-06?MAE?)	36,800 [10.8]	28,600 [8.4]	8,200 [2.4]	11.50	13.50	74	1,075 [507]	
RCQD-3621(RGTM-07?RBG?)	37,200 [10.9]	29,200 [8.6]	8,000 [2.3]	11.50	14.00	74	1,125 [531]	

① Highest sales volume tested combination required by D.O.E. test procedures.

[ ] Designates Metric Conversions

**Performance Data @ AHRI Standard Conditions—Cooling**

Model Numbers		80°F [26.5°C] DB/67°F [19.5°C] WB Indoor Air 95°F [35°C] DB Outdoor Air					Sound Rating dB	Indoor CFM [L/s]
Outdoor Unit 13A(-)N	Indoor Coil and/or Air Handler	Total Capacity BTU/H [kW]	Net Sensible BTU/H [kW]	Net Latent BTU/H [kW]	EER	SEER		
Rev. 5/17/12  36 (AJN, ACN, ADN)	RCQD-3621(RGTM-09?ZAJ?)	37,000 [10.8]	28,900 [8.5]	8,100 [2.4]	11.50	14.00	74	1,100 [519]
	RCQD-3621(ROCA-070E03)	37,400 [11.0]	29,850 [8.7]	7,550 [2.2]	11.50	13.50	74	1,200 [566]
	RCQD-3621(ROCA-070E04)	37,400 [11.0]	29,850 [8.7]	7,550 [2.2]	11.50	13.50	74	1,200 [566]
	RCQD-3621(ROLA-070E03)	37,400 [11.0]	29,650 [8.7]	7,750 [2.3]	11.50	13.50	74	1,175 [554]
	RCQD-3621(ROLA-070E04)	37,400 [11.0]	29,650 [8.7]	7,750 [2.3]	11.50	13.50	74	1,175 [554]
	RCQD-3621(ROLA-115E05)	37,600 [11.0]	30,000 [8.8]	7,600 [2.2]	11.50	14.00	74	1,200 [566]
	RHKL-HM3617(RCSL-H*3617)	35,800 [10.5]	26,250 [7.7]	9,550 [2.8]	11.50	14.00	74	1,025 [484]
	RHLL-HM3617(RCSL-H*3617)	37,000 [10.8]	28,400 [8.3]	8,600 [2.5]	11.50	14.00	74	1,200 [566]
	RHSL-HM3617(RCSL-H*3617)	35,800 [10.5]	26,850 [7.9]	8,950 [2.6]	11.00	13.00	74	1,100 [519]
RHSL-HM3621(RCSL-H*3621)	36,000 [10.5]	27,150 [8.0]	8,850 [2.6]	11.00	13.00	74	1,125 [531]	
42 (AJN, ACN, ADN)	RCFL-H*4821+RXMD-C04 ①	39,500 [11.6]	28,900 [8.5]	10,600 [3.1]	10.50	13.00	75	1,375 [649]
	RCFL-A*4821(RGFE-09?ZCM?)	39,000 [11.4]	27,600 [8.1]	11,400 [3.3]	11.50	13.50	75	1,200 [566]
	RCFL-A*4821(RGFE-10?ZCM?)	39,500 [11.6]	27,800 [8.1]	11,700 [3.4]	11.00	13.50	75	1,225 [578]
	RCFL-A*4821(RGFG-09?ZCM?)	39,000 [11.4]	27,600 [8.1]	11,400 [3.3]	11.50	13.50	75	1,200 [566]
	RCFL-A*4821(RGFG-10?ZCM?)	39,000 [11.4]	27,600 [8.1]	11,400 [3.3]	11.00	13.50	75	1,200 [566]
	RCFL-A*4821(RGGE-06?MCK?)	39,000 [11.4]	27,400 [8.0]	11,600 [3.4]	11.00	13.00	75	1,200 [566]
	RCFL-A*4821(RGGE-07?MCK?)	39,000 [11.4]	27,400 [8.0]	11,600 [3.4]	11.00	13.00	75	1,200 [566]
	RCFL-A*4821(RGGE-09?ZCM?)	39,500 [11.6]	27,800 [8.1]	11,700 [3.4]	11.50	13.50	75	1,225 [578]
	RCFL-A*4821(RGGE-10?ZCM?)	39,000 [11.4]	27,600 [8.1]	11,400 [3.3]	11.00	13.50	75	1,200 [566]
	RCFL-A*4821(RGJF-06?MCK?)	39,000 [11.4]	27,400 [8.0]	11,600 [3.4]	11.00	13.00	75	1,200 [566]
	RCFL-A*4821(RGLE-07?AMK?)	39,000 [11.4]	27,600 [8.1]	11,400 [3.3]	11.00	13.50	75	1,200 [566]
	RCFL-A*4821(RGLE-07?BRQ?)	40,000 [11.7]	29,200 [8.6]	10,800 [3.2]	11.50	13.50	75	1,400 [661]
	RCFL-A*4821(RGLE-10?BRM?)	39,500 [11.6]	27,800 [8.1]	11,700 [3.4]	11.50	14.00	75	1,200 [566]
	RCFL-A*4821(RGLT-07?AMK?)	39,500 [11.6]	28,000 [8.2]	11,500 [3.4]	11.00	13.50	75	1,250 [590]
	RCFL-A*4821(RGLT-07?BRQ?)	40,500 [11.9]	30,000 [8.8]	10,500 [3.1]	11.00	13.50	75	1,450 [684]
	RCFL-A*4821(RGLT-10?BRM?)	39,500 [11.6]	28,200 [8.3]	11,300 [3.3]	11.50	13.50	75	1,250 [590]
	RCFL-A*4821(RGPE-05?BMK?)	39,000 [11.4]	27,400 [8.0]	11,600 [3.4]	11.00	13.00	75	1,200 [566]
	RCFL-A*4821(RGPE-07?AMK?)	39,000 [11.4]	27,800 [8.1]	11,200 [3.3]	11.00	13.00	75	1,225 [578]
	RCFL-A*4821(RGPE-07?BRQ?)	39,500 [11.6]	28,000 [8.2]	11,500 [3.4]	11.50	14.00	75	1,225 [578]
	RCFL-A*4821(RGPE-10?BRM?)	39,500 [11.6]	28,000 [8.2]	11,500 [3.4]	11.50	14.00	75	1,225 [578]
	RCFL-A*4821(RGPT-05?BMK?)	39,000 [11.4]	27,600 [8.1]	11,400 [3.3]	11.00	13.00	75	1,225 [578]
	RCFL-A*4821(RGPT-07?AMK?)	39,500 [11.6]	28,200 [8.3]	11,300 [3.3]	11.00	13.00	75	1,250 [590]
	RCFL-A*4821(RGPT-07?BRQ?)	39,500 [11.6]	28,100 [8.2]	11,400 [3.3]	11.50	13.50	75	1,225 [578]
	RCFL-A*4821(RGPT-10?BRM?)	39,500 [11.6]	28,000 [8.2]	11,500 [3.4]	11.50	14.00	75	1,225 [578]
	RCFL-A*4821(RGRM-09?ZAJ?)	39,000 [11.4]	27,600 [8.1]	11,400 [3.3]	11.00	13.00	75	1,225 [578]
	RCFL-A*4821(RGRM-10?ZAJ?)	39,000 [11.4]	27,000 [7.9]	12,000 [3.5]	11.00	13.00	75	1,150 [543]
	RCFL-A*4821(RGTM-07?RBG?)	40,000 [11.7]	28,800 [8.4]	11,200 [3.3]	11.50	13.50	75	1,325 [625]
	RCFL-A*4821(RGTM-09?ZAJ?)	39,500 [11.6]	28,000 [8.2]	11,500 [3.4]	11.50	13.50	75	1,250 [590]
	RCFL-A*4821(RHWB-04WMX36A)	39,000 [11.4]	27,500 [8.1]	11,500 [3.4]	11.50	13.50	75	1,200 [566]
	RCFL-A*4821(RHWB-06WMX48A)	39,500 [11.6]	28,600 [8.4]	10,900 [3.2]	11.00	13.00	75	1,325 [625]
	RCFL-A*4821(ROCA-070E03)	39,000 [11.4]	27,600 [8.1]	11,400 [3.3]	11.00	13.50	75	1,200 [566]
	RCFL-A*4821(ROCA-070E04)	39,000 [11.4]	27,600 [8.1]	11,400 [3.3]	11.00	13.50	75	1,200 [566]
	RCFL-A*4821(ROLA-070E03)	39,000 [11.4]	27,400 [8.0]	11,600 [3.4]	11.50	13.50	75	1,175 [554]
	RCFL-A*4821(ROLA-070E04)	40,000 [11.7]	29,200 [8.6]	10,800 [3.2]	11.00	13.50	75	1,375 [649]
	RCFL-A*4821(ROLA-115E05)	39,500 [11.6]	27,600 [8.1]	11,900 [3.5]	11.50	13.50	75	1,200 [566]
	RCFL-A*4821+RXMD-C04	39,500 [11.6]	28,900 [8.5]	10,600 [3.1]	10.50	13.00	75	1,375 [649]
RCFL-A*4824(RGFE-09?ZCM?)	39,000 [11.4]	27,600 [8.1]	11,400 [3.3]	11.00	13.50	75	1,200 [566]	
RCFL-A*4824(RGFE-10?ZCM?)	39,500 [11.6]	27,800 [8.1]	11,700 [3.4]	11.50	13.50	75	1,225 [578]	
RCFL-A*4824(RGFE-12?RCM?)	39,500 [11.6]	27,800 [8.1]	11,700 [3.4]	11.50	13.50	75	1,225 [578]	
RCFL-A*4824(RGFG-09?ZCM?)	39,000 [11.4]	27,600 [8.1]	11,400 [3.3]	11.00	13.50	75	1,200 [566]	
RCFL-A*4824(RGFG-10?ZCM?)	39,000 [11.4]	27,600 [8.1]	11,400 [3.3]	11.50	13.50	75	1,200 [566]	

① Highest sales volume tested combination required by D.O.E. test procedures.

[ ] Designates Metric Conversions

## Performance Data @ AHRI Standard Conditions—Cooling

Model Numbers		80°F [26.5°C] DB/67°F [19.5°C] WB Indoor Air 95°F [35°C] DB Outdoor Air					Sound Rating dB	Indoor CFM [L/s]	
Outdoor Unit 13A(-)N	Indoor Coil and/or Air Handler	Total Capacity BTU/H [kW]	Net Sensible BTU/H [kW]	Net Latent BTU/H [kW]	EER	SEER			
Rev. 5/17/12	RCFL-A*4824(RGFG-12?RCM?)	39,500 [11.6]	27,800 [8.1]	11,700 [3.4]	11.50	13.50	75	1,225 [578]	
	RCFL-A*4824(RGGE-09?ZCM?)	39,500 [11.6]	27,800 [8.1]	11,700 [3.4]	11.50	13.50	75	1,225 [578]	
	RCFL-A*4824(RGGE-10?ZCM?)	39,000 [11.4]	27,600 [8.1]	11,400 [3.3]	11.00	13.50	75	1,200 [566]	
	RCFL-A*4824(RGGE-12?RCM?)	39,500 [11.6]	27,800 [8.1]	11,700 [3.4]	11.50	14.00	75	1,200 [566]	
	RCFL-A*4824(RGLE-07?BRQ?)	39,500 [11.6]	28,000 [8.2]	11,500 [3.4]	11.50	13.50	75	1,225 [578]	
	RCFL-A*4824(RGLE-10?BRM?)	39,500 [11.6]	27,800 [8.1]	11,700 [3.4]	11.50	14.00	75	1,200 [566]	
	RCFL-A*4824(RGLE-12?ARM?)	39,500 [11.6]	28,000 [8.2]	11,500 [3.4]	11.50	14.00	75	1,225 [578]	
	RCFL-A*4824(RGLT-07?BRQ?)	40,500 [11.9]	30,000 [8.8]	10,500 [3.1]	11.00	13.50	75	1,450 [684]	
	RCFL-A*4824(RGLT-10?BRM?)	39,500 [11.6]	28,200 [8.3]	11,300 [3.3]	11.50	13.50	75	1,250 [590]	
	RCFL-A*4824(RGLT-12?ARM?)	40,000 [11.7]	29,400 [8.6]	10,600 [3.1]	11.50	13.50	75	1,375 [649]	
	RCFL-A*4824(RGPE-07?BRQ?)	39,500 [11.6]	28,000 [8.2]	11,500 [3.4]	11.50	14.00	75	1,225 [578]	
	RCFL-A*4824(RGPE-10?BRM?)	39,500 [11.6]	28,000 [8.2]	11,500 [3.4]	11.50	14.00	75	1,225 [578]	
	RCFL-A*4824(RGPE-12?ARM?)	39,500 [11.6]	27,800 [8.1]	11,700 [3.4]	11.50	14.00	75	1,200 [566]	
	RCFL-A*4824(RGPT-07?BRQ?)	39,500 [11.6]	28,200 [8.3]	11,300 [3.3]	11.50	14.00	75	1,250 [590]	
	RCFL-A*4824(RGPT-10?BRM?)	39,500 [11.6]	28,000 [8.2]	11,500 [3.4]	11.50	14.00	75	1,225 [578]	
	RCFL-A*4824(RGPT-12?ARM?)	40,000 [11.7]	29,400 [8.6]	10,600 [3.1]	11.50	13.50	75	1,375 [649]	
	RCFL-A*4824(RGRM-09?ZAJ?)	39,000 [11.4]	27,800 [8.1]	11,200 [3.3]	11.00	13.00	75	1,225 [578]	
	RCFL-A*4824(RGRM-10?ZAJ?)	39,000 [11.4]	27,000 [7.9]	12,000 [3.5]	11.00	13.50	75	1,150 [543]	
	RCFL-A*4824(RGRM-12?RAJ?)	39,500 [11.6]	27,800 [8.1]	11,700 [3.4]	11.50	13.50	75	1,225 [578]	
	RCFL-A*4824(RGTM-07?RBG?)	40,000 [11.7]	28,800 [8.4]	11,200 [3.3]	11.50	13.50	75	1,325 [625]	
	RCFL-A*4824(RGTM-09?ZAJ?)	39,500 [11.6]	28,000 [8.2]	11,500 [3.4]	11.50	13.50	75	1,250 [590]	
	RCFL-A*4824(RGTM-10?RBJ?)	40,000 [11.7]	29,800 [8.7]	10,200 [3.0]	11.50	13.50	75	1,425 [672]	
	RCFL-A*4824(RHWP-08WRX60A)	40,000 [11.7]	29,400 [8.6]	10,600 [3.1]	11.50	14.00	75	1,350 [637]	
	RCFL-A*4824(RHWP-10WRX60A)	40,500 [11.9]	29,900 [8.8]	10,600 [3.1]	11.50	14.00	75	1,400 [661]	
	42 (AJN, ACN, ADN)	RCFL-A*4824(ROCA-070E03)	39,000 [11.4]	27,600 [8.1]	11,400 [3.3]	11.00	13.50	75	1,200 [566]
		RCFL-A*4824(ROCA-070E04)	39,000 [11.4]	27,600 [8.1]	11,400 [3.3]	11.00	13.50	75	1,200 [566]
		RCFL-A*4824(ROLA-070E03)	39,000 [11.4]	27,400 [8.0]	11,600 [3.4]	11.50	13.50	75	1,175 [554]
		RCFL-A*4824(ROLA-070E04)	40,000 [11.7]	29,200 [8.6]	10,800 [3.2]	11.50	13.50	75	1,375 [649]
		RCFL-A*4824(ROLA-115E05)	40,000 [11.7]	29,200 [8.6]	10,800 [3.2]	11.00	13.50	75	1,400 [661]
		RCFL-A*4824+RXMD-C04	39,500 [11.6]	28,900 [8.5]	10,600 [3.1]	10.50	13.00	75	1,375 [649]
		RCFL-H*4821(RGGE-06?MCK?)	39,000 [11.4]	27,400 [8.0]	11,600 [3.4]	11.00	13.00	75	1,200 [566]
		RCFL-H*4821(RGGE-07?MCK?)	39,000 [11.4]	27,400 [8.0]	11,600 [3.4]	11.00	13.00	75	1,200 [566]
		RCFL-H*4821(RGGE-09?ZCM?)	39,500 [11.6]	27,800 [8.1]	11,700 [3.4]	11.50	13.50	75	1,225 [578]
		RCFL-H*4821(RGGE-10?ZCM?)	39,000 [11.4]	27,600 [8.1]	11,400 [3.3]	11.00	13.50	75	1,200 [566]
		RCFL-H*4821(RGJF-06?MCK?)	39,000 [11.4]	27,400 [8.0]	11,600 [3.4]	10.50	13.00	75	1,200 [566]
		RCFL-H*4821(RGJF-07?MCK?)	39,000 [11.4]	27,400 [8.0]	11,600 [3.4]	11.00	13.00	75	1,200 [566]
		RCFL-H*4821(RGJF-09?ZCM?)	39,500 [11.6]	27,800 [8.1]	11,700 [3.4]	11.50	13.50	75	1,225 [578]
		RCFL-H*4821(RGJF-10?ZCM?)	39,000 [11.4]	27,600 [8.1]	11,400 [3.3]	11.00	13.50	75	1,200 [566]
		RCFL-H*4821(RGLE-07?AMK?)	39,000 [11.4]	27,600 [8.1]	11,400 [3.3]	11.00	13.50	75	1,200 [566]
		RCFL-H*4821(RGLE-07?BRQ?)	40,000 [11.7]	29,200 [8.6]	10,800 [3.2]	11.50	13.50	75	1,400 [661]
RCFL-H*4821(RGLE-10?BRM?)		39,500 [11.6]	27,800 [8.1]	11,700 [3.4]	11.50	14.00	75	1,200 [566]	
RCFL-H*4821(RGLT-07?AMK?)		39,500 [11.6]	28,000 [8.2]	11,500 [3.4]	11.00	13.50	75	1,250 [590]	
RCFL-H*4821(RGLT-07?BRQ?)		40,500 [11.9]	30,000 [8.8]	10,500 [3.1]	11.00	13.50	75	1,450 [684]	
RCFL-H*4821(RGLT-10?BRM?)		39,500 [11.6]	28,200 [8.3]	11,300 [3.3]	11.50	13.50	75	1,250 [590]	
RCFL-H*4821(RGPE-05?BMK?)		39,000 [11.4]	27,400 [8.0]	11,600 [3.4]	11.00	13.00	75	1,200 [566]	
RCFL-H*4821(RGPE-07?AMK?)		39,000 [11.4]	27,800 [8.1]	11,200 [3.3]	11.00	13.00	75	1,225 [578]	
RCFL-H*4821(RGPE-07?BRQ?)		39,500 [11.6]	28,000 [8.2]	11,500 [3.4]	11.50	14.00	75	1,225 [578]	
RCFL-H*4821(RGPE-10?BRM?)		39,500 [11.6]	28,000 [8.2]	11,500 [3.4]	11.50	14.00	75	1,225 [578]	
RCFL-H*4821(RGPT-05?BMK?)		39,000 [11.4]	27,600 [8.1]	11,400 [3.3]	11.00	13.00	75	1,225 [578]	
RCFL-H*4821(RGPT-07?AMK?)		39,500 [11.6]	28,200 [8.3]	11,300 [3.3]	11.00	13.00	75	1,250 [590]	
RCFL-H*4821(RGPT-07?BRQ?)		39,500 [11.6]	28,200 [8.3]	11,300 [3.3]	11.50	14.00	75	1,250 [590]	

① Highest sales volume tested combination required by D.O.E. test procedures.

[ ] Designates Metric Conversions

**Performance Data @ AHRI Standard Conditions—Cooling**

Model Numbers		80°F [26.5°C] DB/67°F [19.5°C] WB Indoor Air 95°F [35°C] DB Outdoor Air					Sound Rating dB	Indoor CFM [L/s]
Outdoor Unit 13A(-)N	Indoor Coil and/or Air Handler	Total Capacity BTU/H [kW]	Net Sensible BTU/H [kW]	Net Latent BTU/H [kW]	EER	SEER		
Rev. 5/17/12	RCFL-H*4821(RGPT-10?BRM?)	39,500 [11.6]	28,000 [8.2]	11,500 [3.4]	11.50	14.00	75	1,225 [578]
	RCFL-H*4821(RGTM-06?MAE?)	39,000 [11.4]	27,600 [8.1]	11,400 [3.3]	11.00	13.00	75	1,225 [578]
	RCFL-H*4821(RGTM-07?RBG?)	40,000 [11.7]	28,800 [8.4]	11,200 [3.3]	11.50	13.50	75	1,325 [625]
	RCFL-H*4821(RGTM-09?ZAJ?)	39,500 [11.6]	28,200 [8.3]	11,300 [3.3]	11.50	13.50	75	1,250 [590]
	RCFL-H*4821(RHWP-04WXM36A)	39,000 [11.4]	27,500 [8.1]	11,500 [3.4]	11.50	13.50	75	1,200 [566]
	RCFL-H*4821(RHWP-06WXM48A)	39,500 [11.6]	28,600 [8.4]	10,900 [3.2]	11.00	13.00	75	1,325 [625]
	RCFL-H*4824(RGFE-09?ZCM?)	39,000 [11.4]	27,600 [8.1]	11,400 [3.3]	11.50	13.50	75	1,200 [566]
	RCFL-H*4824(RGFE-10?ZCM?)	39,500 [11.6]	27,800 [8.1]	11,700 [3.4]	11.00	13.50	75	1,225 [578]
	RCFL-H*4824(RGFE-12?RCM?)	39,500 [11.6]	27,800 [8.1]	11,700 [3.4]	11.50	13.50	75	1,225 [578]
	RCFL-H*4824(RGFG-09?ZCM?)	39,000 [11.4]	27,600 [8.1]	11,400 [3.3]	11.50	13.50	75	1,200 [566]
	RCFL-H*4824(RGFG-10?ZCM?)	39,000 [11.4]	27,600 [8.1]	11,400 [3.3]	11.00	13.50	75	1,200 [566]
	RCFL-H*4824(RGFG-12?RCM?)	39,500 [11.6]	27,800 [8.1]	11,700 [3.4]	11.50	13.50	75	1,225 [578]
	RCFL-H*4824(RGGE-09?ZCM?)	39,500 [11.6]	27,800 [8.1]	11,700 [3.4]	11.50	13.50	75	1,225 [578]
	RCFL-H*4824(RGGE-10?ZCM?)	39,000 [11.4]	27,600 [8.1]	11,400 [3.3]	11.00	13.50	75	1,200 [566]
	RCFL-H*4824(RGGE-12?RCM?)	39,500 [11.6]	27,800 [8.1]	11,700 [3.4]	11.50	14.00	75	1,200 [566]
	RCFL-H*4824(RGJF-09?ZCM?)	39,500 [11.6]	27,800 [8.1]	11,700 [3.4]	11.50	13.50	75	1,225 [578]
	RCFL-H*4824(RGJF-10?ZCM?)	39,000 [11.4]	27,600 [8.1]	11,400 [3.3]	11.00	13.50	75	1,200 [566]
	RCFL-H*4824(RGJF-12?RCM?)	39,500 [11.6]	27,800 [8.1]	11,700 [3.4]	11.50	14.00	75	1,200 [566]
	RCFL-H*4824(RGLE-07?BRQ?)	40,000 [11.7]	29,200 [8.6]	10,800 [3.2]	11.50	13.50	75	1,400 [661]
	RCFL-H*4824(RGLE-10?BRM?)	39,500 [11.6]	27,800 [8.1]	11,700 [3.4]	11.50	14.00	75	1,200 [566]
	RCFL-H*4824(RGLE-12?ARM?)	39,500 [11.6]	28,000 [8.2]	11,500 [3.4]	11.50	14.00	75	1,225 [578]
	RCFL-H*4824(RGLT-07?BRQ?)	40,500 [11.9]	30,000 [8.8]	10,500 [3.1]	11.00	13.50	75	1,450 [684]
	RCFL-H*4824(RGLT-10?BRM?)	39,500 [11.6]	28,200 [8.3]	11,300 [3.3]	11.50	13.50	75	1,250 [590]
	RCFL-H*4824(RGLT-12?ARM?)	40,000 [11.7]	29,400 [8.6]	10,600 [3.1]	11.50	13.50	75	1,375 [649]
	RCFL-H*4824(RGPE-07?BRQ?)	39,500 [11.6]	28,000 [8.2]	11,500 [3.4]	11.50	14.00	75	1,225 [578]
	RCFL-H*4824(RGPE-10?BRM?)	39,500 [11.6]	28,000 [8.2]	11,500 [3.4]	11.50	14.00	75	1,225 [578]
	RCFL-H*4824(RGPE-12?ARM?)	39,500 [11.6]	27,800 [8.1]	11,700 [3.4]	11.50	14.00	75	1,200 [566]
	RCFL-H*4824(RGPT-07?BRQ?)	39,500 [11.6]	28,200 [8.3]	11,300 [3.3]	11.50	14.00	75	1,250 [590]
	RCFL-H*4824(RGPT-10?BRM?)	39,500 [11.6]	28,000 [8.2]	11,500 [3.4]	11.50	14.00	75	1,225 [578]
	RCFL-H*4824(RGPT-12?ARM?)	40,000 [11.7]	29,400 [8.6]	10,600 [3.1]	11.50	13.50	75	1,375 [649]
	RCFL-H*4824(RGRM-09?ZAJ?)	39,000 [11.4]	27,600 [8.1]	11,400 [3.3]	11.00	13.00	75	1,225 [578]
	RCFL-H*4824(RGRM-10?ZAJ?)	39,000 [11.4]	27,000 [7.9]	12,000 [3.5]	11.00	13.00	75	1,150 [543]
	RCFL-H*4824(RGRM-12?RAJ?)	39,500 [11.6]	27,800 [8.1]	11,700 [3.4]	11.50	13.50	75	1,225 [578]
	RCFL-H*4824(RGTM-07?RBG?)	40,000 [11.7]	28,800 [8.4]	11,200 [3.3]	11.50	13.50	75	1,325 [625]
	RCFL-H*4824(RGTM-09?ZAJ?)	39,500 [11.6]	28,200 [8.3]	11,300 [3.3]	11.50	13.50	75	1,250 [590]
	RCFL-H*4824(RGTM-10?RBJ?)	40,000 [11.7]	29,800 [8.7]	10,200 [3.0]	11.50	13.50	75	1,425 [672]
	RCFL-H*4824(RHWP-08WRX60A)	40,000 [11.7]	29,400 [8.6]	10,600 [3.1]	11.50	14.00	75	1,350 [637]
	RCFL-H*4824(RHWP-10WRX60A)	40,500 [11.9]	29,900 [8.8]	10,600 [3.1]	11.50	14.00	75	1,400 [661]
	RCFL-H*4824(ROCA-070E03)	39,000 [11.4]	27,600 [8.1]	11,400 [3.3]	11.00	13.50	75	1,200 [566]
	RCFL-H*4824(ROCA-070E04)	39,000 [11.4]	27,600 [8.1]	11,400 [3.3]	11.00	13.50	75	1,200 [566]
	RCFL-H*4824(ROLA-070E03)	39,000 [11.4]	27,400 [8.0]	11,600 [3.4]	11.50	13.50	75	1,175 [554]
	RCFL-H*4824(ROLA-070E04)	40,000 [11.7]	29,200 [8.6]	10,800 [3.2]	11.00	13.50	75	1,375 [649]
RCFL-H*4824(ROLA-115E05)	39,500 [11.6]	27,600 [8.1]	11,900 [3.5]	11.50	13.50	75	1,200 [566]	
RCFL-H*4824+RXMD-C04	39,500 [11.6]	28,900 [8.5]	10,600 [3.1]	10.50	13.00	75	1,375 [649]	
RBHP-24(RCHL-48A1)	39,000 [11.4]	28,350 [8.3]	10,650 [3.1]	11.50	14.00	75	1,350 [637]	
RCQD-4821(RGFE-09?ZCM?)	42,000 [12.3]	31,650 [9.3]	10,350 [3.0]	11.50	13.50	75	1,200 [566]	
RCQD-4821(RGFE-10?ZCM?)	42,000 [12.3]	31,800 [9.3]	10,200 [3.0]	11.50	13.50	75	1,225 [578]	
RCQD-4821(RGFG-09?ZCM?)	42,000 [12.3]	31,650 [9.3]	10,350 [3.0]	11.50	13.50	75	1,200 [566]	
RCQD-4821(RGFG-10?ZCM?)	42,000 [12.3]	31,700 [9.3]	10,300 [3.0]	11.50	13.50	75	1,200 [566]	
RCQD-4821(RGJF-06?MCK?)	41,500 [12.2]	31,200 [9.1]	10,300 [3.0]	11.00	13.00	75	1,200 [566]	
RCQD-4821(RGJF-07?MCK?)	41,500 [12.2]	31,250 [9.2]	10,250 [3.0]	11.00	13.00	75	1,200 [566]	

 42  
 (AJN,  
 ACN,  
 ADN)

① Highest sales volume tested combination required by D.O.E. test procedures.

[ ] Designates Metric Conversions

## Performance Data @ AHRI Standard Conditions—Cooling

Model Numbers		80°F [26.5°C] DB/67°F [19.5°C] WB Indoor Air 95°F [35°C] DB Outdoor Air					Sound Rating dB	Indoor CFM [L/s]
Outdoor Unit 13A(-)N	Indoor Coil and/or Air Handler	Total Capacity BTU/H [kW]	Net Sensible BTU/H [kW]	Net Latent BTU/H [kW]	EER	SEER		
Rev. 5/17/12	RCQD-4821(RGJF-09?ZCM?)	42,000 [12.3]	31,800 [9.3]	10,200 [3.0]	11.50	13.50	75	1,225 [578]
	RCQD-4821(RGJF-10?ZCM?)	42,000 [12.3]	31,650 [9.3]	10,350 [3.0]	11.50	13.50	75	1,200 [566]
	RCQD-4821(RGPE-05?BMK?)	41,500 [12.2]	31,200 [9.1]	10,300 [3.0]	11.00	13.00	75	1,200 [566]
	RCQD-4821(RGPE-07?AMK?)	42,000 [12.3]	31,850 [9.3]	10,150 [3.0]	11.00	13.00	75	1,225 [578]
	RCQD-4821(RGPE-07?BRQ?)	42,500 [12.5]	33,200 [9.7]	9,300 [2.7]	11.50	13.50	75	1,400 [661]
	RCQD-4821(RGPE-10?BRM?)	42,500 [12.5]	33,200 [9.7]	9,300 [2.7]	11.50	13.50	75	1,400 [661]
	RCQD-4821(RGPT-05?BMK?)	41,500 [12.2]	31,550 [9.2]	9,950 [2.9]	11.00	13.00	75	1,250 [590]
	RCQD-4821(RGPT-07?AMK?)	42,500 [12.5]	33,300 [9.8]	9,200 [2.7]	11.00	13.00	75	1,350 [637]
	RCQD-4821(RGPT-07?BRQ?)	42,500 [12.5]	32,600 [9.6]	9,900 [2.9]	11.50	14.00	75	1,250 [590]
	RCQD-4821(RGPT-10?BRM?)	42,500 [12.5]	32,400 [9.5]	10,100 [3.0]	11.50	14.00	75	1,250 [590]
42 (AJN, ACN, ADN)	RCQD-4821(RGRM-09?ZAJ?)	42,000 [12.3]	31,850 [9.3]	10,150 [3.0]	11.00	13.00	75	1,225 [578]
	RCQD-4821(RGTM-06?MAE?)	41,500 [12.2]	31,400 [9.2]	10,100 [3.0]	11.00	13.00	75	1,225 [578]
	RCQD-4821(RGTM-07?RBG?)	42,500 [12.5]	32,900 [9.6]	9,600 [2.8]	11.50	13.50	75	1,325 [625]
	RCQD-4821(RGTM-09?ZAJ?)	42,000 [12.3]	31,950 [9.4]	10,050 [2.9]	11.50	13.50	75	1,250 [590]
	RCQD-4821(RHWB-04WMX36A)	42,000 [12.3]	31,800 [9.3]	10,200 [3.0]	11.50	13.50	75	1,200 [566]
	RCQD-4821(RHWB-06WMX48A)	42,000 [12.3]	31,800 [9.3]	10,200 [3.0]	11.50	13.50	75	1,200 [566]
	RCQD-4821(ROCA-070E03)	42,000 [12.3]	31,700 [9.3]	10,300 [3.0]	11.50	13.50	75	1,200 [566]
	RCQD-4821(ROCA-070E04)	42,000 [12.3]	31,700 [9.3]	10,300 [3.0]	11.50	13.50	75	1,200 [566]
	RCQD-4821(ROLA-070E04)	42,500 [12.5]	33,200 [9.7]	9,300 [2.7]	11.50	13.50	75	1,375 [649]
	RCQD-4821(ROLA-115E05)	42,500 [12.5]	33,200 [9.7]	9,300 [2.7]	11.50	13.50	75	1,400 [661]
	RCQD-4824(RGFE-09?ZCM?)	42,000 [12.3]	31,650 [9.3]	10,350 [3.0]	11.50	13.50	75	1,200 [566]
	RCQD-4824(RGFE-10?ZCM?)	42,000 [12.3]	31,800 [9.3]	10,200 [3.0]	11.50	13.50	75	1,225 [578]
	RCQD-4824(RGFE-12?RCM?)	42,000 [12.3]	31,750 [9.3]	10,250 [3.0]	11.50	13.50	75	1,225 [578]
	RCQD-4824(RGFG-09?ZCM?)	42,000 [12.3]	31,650 [9.3]	10,350 [3.0]	11.50	13.50	75	1,200 [566]
	RCQD-4824(RGFG-10?ZCM?)	42,000 [12.3]	31,650 [9.3]	10,350 [3.0]	11.50	13.50	75	1,200 [566]
	RCQD-4824(RGFG-12?RCM?)	43,000 [12.6]	34,150 [10.0]	8,850 [2.6]	11.50	13.50	75	1,450 [684]
	RCQD-4824(RGJF-09?ZCM?)	42,000 [12.3]	31,750 [9.3]	10,250 [3.0]	11.50	13.50	75	1,225 [578]
	RCQD-4824(RGJF-10?ZCM?)	42,000 [12.3]	31,650 [9.3]	10,350 [3.0]	11.50	13.50	75	1,200 [566]
	RCQD-4824(RGJF-12?RCM?)	42,000 [12.3]	31,600 [9.3]	10,400 [3.0]	11.50	14.00	75	1,200 [566]
	RCQD-4824(RGPE-07?BRQ?)	42,000 [12.3]	31,750 [9.3]	10,250 [3.0]	11.50	14.00	75	1,225 [578]
	RCQD-4824(RGPE-10?BRM?)	42,000 [12.3]	31,750 [9.3]	10,250 [3.0]	11.50	14.00	75	1,225 [578]
	RCQD-4824(RGPE-12?ARM?)	42,000 [12.3]	31,600 [9.3]	10,400 [3.0]	11.50	14.00	75	1,200 [566]
	RCQD-4824(RGPT-07?BRQ?)	42,500 [12.5]	32,700 [9.6]	9,800 [2.9]	11.50	14.00	75	1,275 [602]
	RCQD-4824(RGPT-10?BRM?)	42,500 [12.5]	32,550 [9.5]	9,950 [2.9]	11.50	14.00	75	1,275 [602]
	RCQD-4824(RGPT-12?ARM?)	43,000 [12.6]	33,950 [9.9]	9,050 [2.7]	11.50	14.00	75	1,425 [672]
	RCQD-4824(RGRM-09?ZAJ?)	42,000 [12.3]	31,850 [9.3]	10,150 [3.0]	11.50	13.50	75	1,225 [578]
	RCQD-4824(RGRM-12?RAJ?)	42,000 [12.3]	31,800 [9.3]	10,200 [3.0]	11.50	13.50	75	1,225 [578]
	RCQD-4824(RGTM-07?RBG?)	42,500 [12.5]	32,900 [9.6]	9,600 [2.8]	11.50	13.50	75	1,325 [625]
	RCQD-4824(RGTM-09?ZAJ?)	42,000 [12.3]	31,900 [9.3]	10,100 [3.0]	11.50	13.50	75	1,250 [590]
	RCQD-4824(RGTM-10?RBJ?)	42,000 [12.3]	31,750 [9.3]	10,250 [3.0]	11.50	14.00	75	1,225 [578]
	RCQD-4824(RHWB-08WRX60A)	43,000 [12.6]	33,800 [9.9]	9,200 [2.7]	11.50	14.00	75	1,400 [661]
	RCQD-4824(RHWB-10WRX60A)	43,500 [12.7]	34,800 [10.2]	8,700 [2.5]	11.50	14.00	75	1,450 [684]
	RCQD-4824(ROCA-070E03)	42,000 [12.3]	31,650 [9.3]	10,350 [3.0]	11.50	13.50	75	1,200 [566]
	RCQD-4824(ROCA-070E04)	42,000 [12.3]	31,650 [9.3]	10,350 [3.0]	11.50	13.50	75	1,200 [566]
	RCQD-4824(ROLA-070E04)	42,500 [12.5]	33,200 [9.7]	9,300 [2.7]	11.50	13.50	75	1,375 [649]
	RCQD-4824(ROLA-115E05)	42,000 [12.3]	31,600 [9.3]	10,400 [3.0]	11.50	14.00	75	1,200 [566]
	RHKL-HM3821(RCSL-H*3821)	39,500 [11.6]	27,800 [8.1]	11,700 [3.4]	11.50	14.00	75	1,200 [566]
	RHLL-HM3821(RCSL-H*3821)	39,500 [11.6]	27,600 [8.1]	11,900 [3.5]	11.50	14.00	75	1,175 [554]
RHKL-HM4821(RCSL-H*4821)	40,000 [11.7]	29,400 [8.6]	10,600 [3.1]	11.50	13.50	75	1,400 [661]	
RHLL-HM4821(RCSL-H*4821)	40,000 [11.7]	29,400 [8.6]	10,600 [3.1]	11.50	14.00	75	1,400 [661]	
RHSL-HM4221(RCSL-H*4821)	40,000 [11.7]	29,650 [8.7]	10,350 [3.0]	11.00	13.00	75	1,425 [672]	

① Highest sales volume tested combination required by D.O.E. test procedures.

[ ] Designates Metric Conversions

**Performance Data @ AHRI Standard Conditions—Cooling**

Model Numbers		80°F [26.5°C] DB/67°F [19.5°C] WB Indoor Air 95°F [35°C] DB Outdoor Air					Sound Rating dB	Indoor CFM [L/s]
Outdoor Unit 13A(-)N	Indoor Coil and/or Air Handler	Total Capacity BTU/H [kW]	Net Sensible BTU/H [kW]	Net Latent BTU/H [kW]	EER	SEER		
Rev. 5/17/12	RCFL-H*4821+RXMD-C04 ①	47,500 [13.9]	34,400 [10.1]	13,100 [3.8]	10.50	13.00	73	1,575 [743]
	RCFL-A*4821(RGGE-09?ZCM?)	46,500 [13.6]	32,400 [9.5]	14,100 [4.1]	11.00	13.00	73	1,400 [661]
	RCFL-A*4821(RGLE-07?BRQ?)	47,000 [13.8]	32,600 [9.6]	14,400 [4.2]	11.00	13.00	73	1,400 [661]
	RCFL-A*4821(RGLE-10?BRM?)	47,000 [13.8]	32,800 [9.6]	14,200 [4.2]	11.50	13.50	73	1,400 [661]
	RCFL-A*4821(RGLT-07?AMK?)	46,500 [13.6]	31,800 [9.3]	14,700 [4.3]	11.00	13.50	73	1,325 [625]
	RCFL-A*4821(RGLT-07?BRQ?)	47,000 [13.8]	33,000 [9.7]	14,000 [4.1]	11.00	13.00	73	1,425 [672]
	RCFL-A*4821(RGLT-10?BRM?)	47,000 [13.8]	32,600 [9.6]	14,400 [4.2]	11.00	13.00	73	1,400 [661]
	RCFL-A*4821(RGPE-07?BRQ?)	47,000 [13.8]	32,600 [9.6]	14,400 [4.2]	11.00	13.00	73	1,400 [661]
	RCFL-A*4821(RGPE-10?BRM?)	47,500 [13.9]	34,600 [10.1]	12,900 [3.8]	11.00	13.00	73	1,550 [731]
	RCFL-A*4821(RGPT-07?AMK?)	46,500 [13.6]	31,800 [9.3]	14,700 [4.3]	11.00	13.00	73	1,325 [625]
	RCFL-A*4821(RGPT-07?BRQ?)	47,000 [13.8]	32,900 [9.6]	14,100 [4.1]	11.00	13.50	73	1,425 [672]
	RCFL-A*4821(RGPT-10?BRM?)	47,000 [13.8]	32,600 [9.6]	14,400 [4.2]	11.00	13.50	73	1,400 [661]
	RCFL-A*4821(RGTM-07?RBG?)	47,000 [13.8]	33,400 [9.8]	13,600 [4.0]	11.00	13.00	73	1,475 [696]
	RCFL-A*4821(RGTM-09?ZAJ?)	46,500 [13.6]	32,400 [9.5]	14,100 [4.1]	11.00	13.00	73	1,400 [661]
	RCFL-A*4821(ROLA-070E04)	47,000 [13.8]	32,400 [9.5]	14,600 [4.3]	11.00	13.00	73	1,375 [649]
48 (AJN, ACN, ADN, AYN)	RCFL-A*4821(ROLA-115E05)	47,000 [13.8]	32,600 [9.6]	14,400 [4.2]	11.00	13.00	73	1,400 [661]
	RCFL-A*4821+RXMD-C04	47,500 [13.9]	34,400 [10.1]	13,100 [3.8]	11.00	13.00	73	1,575 [743]
	RCFL-A*4824(RGFE-12?RCM?)	47,000 [13.8]	33,000 [9.7]	14,000 [4.1]	11.00	13.00	73	1,450 [684]
	RCFL-A*4824(RGFG-12?RCM?)	47,000 [13.8]	33,000 [9.7]	14,000 [4.1]	11.00	13.00	73	1,450 [684]
	RCFL-A*4824(RGGE-09?ZCM?)	46,500 [13.6]	32,400 [9.5]	14,100 [4.1]	11.00	13.00	73	1,400 [661]
	RCFL-A*4824(RGGE-12?RCM?)	47,000 [13.8]	32,400 [9.5]	14,600 [4.3]	11.00	13.00	73	1,375 [649]
	RCFL-A*4824(RGLE-07?BRQ?)	47,000 [13.8]	32,600 [9.6]	14,400 [4.2]	11.00	13.00	73	1,400 [661]
	RCFL-A*4824(RGLE-10?BRM?)	47,000 [13.8]	32,800 [9.6]	14,200 [4.2]	11.50	13.50	73	1,400 [661]
	RCFL-A*4824(RGLE-12?ARM?)	47,000 [13.8]	33,000 [9.7]	14,000 [4.1]	11.50	13.50	73	1,425 [672]
	RCFL-A*4824(RGLT-07?BRQ?)	47,000 [13.8]	33,000 [9.7]	14,000 [4.1]	11.00	13.00	73	1,425 [672]
	RCFL-A*4824(RGLT-10?BRM?)	47,000 [13.8]	32,600 [9.6]	14,400 [4.2]	11.00	13.00	73	1,400 [661]
	RCFL-A*4824(RGLT-12?ARM?)	47,000 [13.8]	32,200 [9.4]	14,800 [4.3]	11.50	13.50	73	1,350 [637]
	RCFL-A*4824(RGPE-07?BRQ?)	47,000 [13.8]	32,600 [9.6]	14,400 [4.2]	11.00	13.00	73	1,400 [661]
	RCFL-A*4824(RGPE-10?BRM?)	47,500 [13.9]	34,600 [10.1]	12,900 [3.8]	11.00	13.00	73	1,550 [731]
	RCFL-A*4824(RGPE-12?ARM?)	47,000 [13.8]	33,000 [9.7]	14,000 [4.1]	11.50	13.50	73	1,425 [672]
	RCFL-A*4824(RGPT-07?BRQ?)	47,000 [13.8]	32,900 [9.6]	14,100 [4.1]	11.00	13.50	73	1,425 [672]
	RCFL-A*4824(RGPT-10?BRM?)	47,000 [13.8]	32,900 [9.6]	14,100 [4.1]	11.50	13.50	73	1,425 [672]
	RCFL-A*4824(RGPT-12?ARM?)	47,000 [13.8]	32,200 [9.4]	14,800 [4.3]	11.50	13.50	73	1,350 [637]
	RCFL-A*4824(RGRM-12?RAJ?)	47,000 [13.8]	32,800 [9.6]	14,200 [4.2]	11.00	13.00	73	1,425 [672]
	RCFL-A*4824(RGTM-07?RBG?)	47,000 [13.8]	33,400 [9.8]	13,600 [4.0]	11.00	13.00	73	1,475 [696]
	RCFL-A*4824(RGTM-09?ZAJ?)	46,500 [13.6]	32,400 [9.5]	14,100 [4.1]	11.00	13.00	73	1,400 [661]
	RCFL-A*4824(RGTM-10?RBJ?)	47,000 [13.8]	32,800 [9.6]	14,200 [4.2]	11.00	13.00	73	1,425 [672]
	RCFL-A*4824(RHWP-08WRX60A)	47,500 [13.9]	33,600 [9.8]	13,900 [4.1]	11.50	13.50	73	1,450 [684]
	RCFL-A*4824(RHWP-10WRX60A)	47,500 [13.9]	33,800 [9.9]	13,700 [4.0]	11.50	13.50	73	1,475 [696]
	RCFL-A*4824(ROLA-070E04)	47,000 [13.8]	32,400 [9.5]	14,600 [4.3]	11.00	13.00	73	1,375 [649]
	RCFL-A*4824(ROLA-115E05)	47,000 [13.8]	32,600 [9.6]	14,400 [4.2]	11.00	13.00	73	1,400 [661]
	RCFL-A*4824+RXMD-C04	47,500 [13.9]	34,400 [10.1]	13,100 [3.8]	11.00	13.00	73	1,575 [743]
	RCFL-H*4821(RGGE-09?ZCM?)	46,500 [13.6]	32,400 [9.5]	14,100 [4.1]	11.00	13.00	73	1,400 [661]
	RCFL-H*4821(RGJF-09?ZCM?)	47,000 [13.8]	32,600 [9.6]	14,400 [4.2]	11.00	13.00	73	1,400 [661]
	RCFL-H*4821(RGLE-07?BRQ?)	47,000 [13.8]	32,600 [9.6]	14,400 [4.2]	11.00	13.00	73	1,400 [661]
	RCFL-H*4821(RGLE-10?BRM?)	47,000 [13.8]	32,800 [9.6]	14,200 [4.2]	11.50	13.50	73	1,400 [661]
	RCFL-H*4821(RGLT-07?AMK?)	46,500 [13.6]	31,800 [9.3]	14,700 [4.3]	11.00	13.50	73	1,325 [625]
	RCFL-H*4821(RGLT-07?BRQ?)	47,000 [13.8]	33,000 [9.7]	14,000 [4.1]	11.00	13.00	73	1,425 [672]
	RCFL-H*4821(RGLT-10?BRM?)	47,000 [13.8]	32,600 [9.6]	14,400 [4.2]	11.00	13.00	73	1,400 [661]
	RCFL-H*4821(RGPE-07?BRQ?)	47,000 [13.8]	32,600 [9.6]	14,400 [4.2]	11.00	13.00	73	1,400 [661]
RCFL-H*4821(RGPE-10?BRM?)	47,000 [13.8]	32,600 [9.6]	14,400 [4.2]	11.00	13.00	73	1,400 [661]	

① Highest sales volume tested combination required by D.O.E. test procedures.

[ ] Designates Metric Conversions

## Performance Data @ AHRI Standard Conditions—Cooling

Model Numbers		80°F [26.5°C] DB/67°F [19.5°C] WB Indoor Air 95°F [35°C] DB Outdoor Air					Sound Rating dB	Indoor CFM [L/s]
Outdoor Unit 13A(-)N	Indoor Coil and/or Air Handler	Total Capacity BTU/H [kW]	Net Sensible BTU/H [kW]	Net Latent BTU/H [kW]	EER	SEER		
Rev. 5/17/12	RCFL-H*4821(RGPT-07?AMK?)	46,500 [13.6]	31,800 [9.3]	14,700 [4.3]	11.00	13.00	73	1,325 [625]
	RCFL-H*4821(RGPT-07?BRQ?)	47,000 [13.8]	32,900 [9.6]	14,100 [4.1]	11.00	13.50	73	1,425 [672]
	RCFL-H*4821(RGPT-10?BRM?)	47,000 [13.8]	33,000 [9.7]	14,000 [4.1]	11.50	13.50	73	1,425 [672]
	RCFL-H*4821(RGTM-07?RBG?)	47,000 [13.8]	33,400 [9.8]	13,600 [4.0]	11.00	13.00	73	1,475 [696]
	RCFL-H*4821(RGTM-09?ZAJ?)	47,000 [13.8]	32,400 [9.5]	14,600 [4.3]	11.00	13.00	73	1,400 [661]
	RCFL-H*4821(ROLA-070E04)	47,000 [13.8]	32,400 [9.5]	14,600 [4.3]	11.00	13.00	73	1,375 [649]
	RCFL-H*4821(ROLA-115E05)	47,000 [13.8]	32,600 [9.6]	14,400 [4.2]	11.00	13.00	73	1,400 [661]
	RCFL-H*4824(RGFE-12?RCM?)	47,000 [13.8]	33,000 [9.7]	14,000 [4.1]	11.00	13.00	73	1,450 [684]
	RCFL-H*4824(RGFG-12?RCM?)	47,000 [13.8]	33,000 [9.7]	14,000 [4.1]	11.00	13.00	73	1,450 [684]
	RCFL-H*4824(RGGE-09?ZCM?)	46,500 [13.6]	32,400 [9.5]	14,100 [4.1]	11.00	13.00	73	1,400 [661]
	RCFL-H*4824(RGGE-12?RCM?)	47,000 [13.8]	32,400 [9.5]	14,600 [4.3]	11.00	13.00	73	1,375 [649]
	RCFL-H*4824(RGJF-09?ZCM?)	47,000 [13.8]	32,600 [9.6]	14,400 [4.2]	11.00	13.00	73	1,400 [661]
	RCFL-H*4824(RGJF-12?RCM?)	47,500 [13.9]	34,400 [10.1]	13,100 [3.8]	11.00	13.00	73	1,575 [743]
	RCFL-H*4824(RGLE-07?BRQ?)	47,000 [13.8]	32,600 [9.6]	14,400 [4.2]	11.00	13.00	73	1,400 [661]
	RCFL-H*4824(RGLE-10?BRM?)	47,000 [13.8]	32,800 [9.6]	14,200 [4.2]	11.50	13.50	73	1,400 [661]
	RCFL-H*4824(RGLE-12?ARM?)	47,000 [13.8]	33,000 [9.7]	14,000 [4.1]	11.50	13.50	73	1,425 [672]
	48 (AJN, ACN, ADN, AYN)	RCFL-H*4824(RGLT-07?BRQ?)	47,000 [13.8]	33,000 [9.7]	14,000 [4.1]	11.00	13.00	73
RCFL-H*4824(RGLT-10?BRM?)		47,000 [13.8]	32,600 [9.6]	14,400 [4.2]	11.00	13.00	73	1,400 [661]
RCFL-H*4824(RGLT-12?ARM?)		47,000 [13.8]	32,200 [9.4]	14,800 [4.3]	11.50	13.50	73	1,350 [637]
RCFL-H*4824(RGPE-07?BRQ?)		47,000 [13.8]	32,600 [9.6]	14,400 [4.2]	11.00	13.00	73	1,400 [661]
RCFL-H*4824(RGPE-10?BRM?)		47,500 [13.9]	34,600 [10.1]	12,900 [3.8]	11.00	13.00	73	1,550 [731]
RCFL-H*4824(RGPE-12?ARM?)		47,000 [13.8]	33,000 [9.7]	14,000 [4.1]	11.50	13.50	73	1,425 [672]
RCFL-H*4824(RGPT-07?BRQ?)		47,000 [13.8]	32,900 [9.6]	14,100 [4.1]	11.00	13.50	73	1,425 [672]
RCFL-H*4824(RGPT-10?BRM?)		47,000 [13.8]	32,900 [9.6]	14,100 [4.1]	11.50	13.50	73	1,425 [672]
RCFL-H*4824(RGPT-12?ARM?)		47,000 [13.8]	32,200 [9.4]	14,800 [4.3]	11.50	13.50	73	1,350 [637]
RCFL-H*4824(RGRM-12?RAJ?)		47,000 [13.8]	32,800 [9.6]	14,200 [4.2]	11.00	13.00	73	1,425 [672]
RCFL-H*4824(RGTM-07?RBG?)		47,000 [13.8]	33,400 [9.8]	13,600 [4.0]	11.00	13.00	73	1,475 [696]
RCFL-H*4824(RGTM-09?ZAJ?)		46,500 [13.6]	32,400 [9.5]	14,100 [4.1]	11.00	13.00	73	1,400 [661]
RCFL-H*4824(RGTM-10?RBJ?)		47,000 [13.8]	32,800 [9.6]	14,200 [4.2]	11.00	13.00	73	1,425 [672]
RCFL-H*4824(RHWP-08WRX60A)		47,500 [13.9]	33,600 [9.8]	13,900 [4.1]	11.50	13.50	73	1,450 [684]
RCFL-H*4824(RHWP-10WRX60A)		47,500 [13.9]	33,800 [9.9]	13,700 [4.0]	11.50	13.50	73	1,475 [696]
RCFL-H*4824(ROLA-070E04)		47,000 [13.8]	32,400 [9.5]	14,600 [4.3]	11.00	13.00	73	1,375 [649]
RCFL-H*4824(ROLA-115E05)		47,000 [13.8]	32,600 [9.6]	14,400 [4.2]	11.00	13.00	73	1,400 [661]
RCFL-H*4824+RXMD-C04		47,500 [13.9]	34,400 [10.1]	13,100 [3.8]	10.50	13.00	73	1,575 [743]
RBHP-24(RCHL-48A1)		46,500 [13.6]	31,950 [9.4]	14,550 [4.3]	11.00	13.50	73	1,400 [661]
RCQD-4821(RGPE-07?BRQ?)		48,500 [14.2]	35,950 [10.5]	12,550 [3.7]	11.50	13.00	73	1,400 [661]
RCQD-4821(RGPE-10?BRM?)		49,000 [14.4]	37,650 [11.0]	11,350 [3.3]	11.50	13.00	73	1,550 [731]
RCQD-4821(RGPT-07?AMK?)		48,000 [14.1]	35,700 [10.5]	12,300 [3.6]	11.00	13.00	73	1,325 [625]
RCQD-4821(RGPT-07?BRQ?)		49,000 [14.4]	37,400 [11.0]	11,600 [3.4]	11.50	13.50	73	1,425 [672]
RCQD-4821(RGPT-10?BRM?)		48,500 [14.2]	36,100 [10.6]	12,400 [3.6]	11.50	13.50	73	1,425 [672]
RCQD-4821(ROLA-070E04)		48,000 [14.1]	35,300 [10.3]	12,700 [3.7]	11.50	13.00	73	1,375 [649]
RCQD-4821(ROLA-115E05)		48,000 [14.1]	35,450 [10.4]	12,550 [3.7]	11.50	13.00	73	1,400 [661]
RCQD-4821+RXMD-C04		48,500 [14.2]	37,250 [10.9]	11,250 [3.3]	10.50	13.00	73	1,500 [708]
RCQD-4824(RGFE-12?RCM?)		48,500 [14.2]	36,300 [10.6]	12,200 [3.6]	11.50	13.00	73	1,450 [684]
RCQD-4824(RGFG-12?RCM?)		48,500 [14.2]	36,300 [10.6]	12,200 [3.6]	11.50	13.00	73	1,450 [684]
RCQD-4824(RGJF-09?ZCM?)		48,000 [14.1]	35,450 [10.4]	12,550 [3.7]	11.50	13.00	73	1,400 [661]
RCQD-4824(RGJF-12?RCM?)		48,500 [14.2]	35,750 [10.5]	12,750 [3.7]	11.50	13.50	73	1,375 [649]
RCQD-4824(RGPE-07?BRQ?)		48,500 [14.2]	35,900 [10.5]	12,600 [3.7]	11.50	13.50	73	1,400 [661]
RCQD-4824(RGPE-10?BRM?)		48,500 [14.2]	35,900 [10.5]	12,600 [3.7]	11.50	13.50	73	1,400 [661]
RCQD-4824(RGPE-12?ARM?)	49,000 [14.4]	37,250 [10.9]	11,750 [3.4]	11.50	13.50	73	1,525 [720]	
RCQD-4824(RGPT-07?BRQ?)	49,000 [14.4]	37,200 [10.9]	11,800 [3.5]	11.50	13.50	73	1,475 [696]	

① Highest sales volume tested combination required by D.O.E. test procedures.

[ ] Designates Metric Conversions

**Performance Data @ AHRI Standard Conditions—Cooling**

Model Numbers		80°F [26.5°C] DB/67°F [19.5°C] WB Indoor Air 95°F [35°C] DB Outdoor Air					Sound Rating dB	Indoor CFM [L/s]
Outdoor Unit 13A(-)N	Indoor Coil and/or Air Handler	Total Capacity BTU/H [kW]	Net Sensible BTU/H [kW]	Net Latent BTU/H [kW]	EER	SEER		
Rev. 5/17/12	RCQD-4824(RGPT-10?BRM?)	48,500 [14.2]	36,250 [10.6]	12,250 [3.6]	11.50	13.50	73	1,450 [684]
	RCQD-4824(RGPT-12?ARM?)	48,500 [14.2]	35,850 [10.5]	12,650 [3.7]	11.50	13.50	73	1,400 [661]
	RCQD-4824(RGRM-12?RAJ?)	48,500 [14.2]	36,150 [10.6]	12,350 [3.6]	11.50	13.00	73	1,425 [672]
	RCQD-4824(RGTM-07?RBG?)	48,500 [14.2]	36,500 [10.7]	12,000 [3.5]	11.50	13.00	73	1,475 [696]
	RCQD-4824(RGTM-09?ZAJ?)	48,000 [14.1]	35,450 [10.4]	12,550 [3.7]	11.50	13.00	73	1,400 [661]
	RCQD-4824(RGTM-10?RBJ?)	48,500 [14.2]	36,100 [10.6]	12,400 [3.6]	11.50	13.00	73	1,425 [672]
	RCQD-4824(RHWP-08WRX60A)	49,500 [14.5]	39,000 [11.4]	10,500 [3.1]	11.50	13.50	73	1,675 [790]
	RCQD-4824(RHWP-10WRX60A)	49,500 [14.5]	37,900 [11.1]	11,600 [3.4]	11.50	14.00	73	1,525 [720]
	RCQD-4824(ROLA-070E04)	48,000 [14.1]	35,250 [10.3]	12,750 [3.7]	11.50	13.00	73	1,375 [649]
	RCQD-4824(ROLA-115E05)	48,500 [14.2]	35,950 [10.5]	12,550 [3.7]	11.50	13.00	73	1,400 [661]
	RCQD-4824+RXMD-C04	48,500 [14.2]	37,250 [10.9]	11,250 [3.3]	10.50	13.00	73	1,500 [708]
	RHKL-HM4821(RCSL-H*4821)	47,000 [13.8]	32,800 [9.6]	14,200 [4.2]	11.50	13.50	73	1,400 [661]
	RHLL-HM4821(RCSL-H*4821)	46,500 [13.6]	32,150 [9.4]	14,350 [4.2]	11.50	14.00	73	1,450 [684]
	RHSL-HM4821(RCSL-H*4821)	46,000 [13.5]	33,300 [9.8]	12,700 [3.7]	10.50	13.00	73	1,550 [731]
	RHKL-HM4824(RCSL-H*4824)	48,500 [14.2]	35,400 [10.4]	13,100 [3.8]	11.50	13.50	73	1,625 [767]
	RHKL-HM6024(RCSL-H*4824)	48,000 [14.1]	34,800 [10.2]	13,200 [3.9]	11.50	14.00	73	1,600 [755]
RHLL-HM4824(RCSL-H*4824)	48,500 [14.2]	35,400 [10.4]	13,100 [3.8]	11.50	14.00	73	1,625 [767]	
RHSL-HM4824(RCSL-H*4824)	46,000 [13.5]	33,300 [9.8]	12,700 [3.7]	10.50	13.00	73	1,550 [731]	
48 (AJN, ACN, ADN, AYN)	RCFL-H*6024+RXMD-C04 ①	56,500 [16.6]	38,950 [11.4]	17,550 [5.1]	10.50	13.00	74	1,525 [720]
	RCFL-A*6024(RGGE-12?RCM?)	57,000 [16.7]	40,000 [11.7]	17,000 [5.0]	10.50	13.00	74	1,575 [743]
	RCFL-A*6024(RGLE-07?BRQ?)	57,000 [16.7]	40,000 [11.7]	17,000 [5.0]	10.50	13.00	74	1,600 [755]
	RCFL-A*6024(RGLE-10?BRM?)	57,500 [16.8]	40,000 [11.7]	17,500 [5.1]	10.50	13.00	74	1,600 [755]
	RCFL-A*6024(RGLE-12?ARM?)	57,500 [16.8]	40,000 [11.7]	17,500 [5.1]	10.50	13.00	74	1,600 [755]
	RCFL-A*6024(RGLT-12?ARM?)	57,500 [16.8]	41,500 [12.2]	16,000 [4.7]	10.50	13.00	74	1,700 [802]
	RCFL-A*6024(RGPE-07?BRQ?)	57,000 [16.7]	40,000 [11.7]	17,000 [5.0]	10.50	13.00	74	1,600 [755]
	RCFL-A*6024(RGPE-10?BRM?)	57,500 [16.8]	40,500 [11.9]	17,000 [5.0]	10.50	13.00	74	1,625 [767]
	RCFL-A*6024(RGPE-12?ARM?)	57,500 [16.8]	40,500 [11.9]	17,000 [5.0]	10.50	13.00	74	1,625 [767]
	RCFL-A*6024(RGPT-10?BRM?)	57,500 [16.8]	41,500 [12.2]	16,000 [4.7]	10.50	13.00	74	1,700 [802]
	RCFL-A*6024(RGPT-12?ARM?)	57,500 [16.8]	41,500 [12.2]	16,000 [4.7]	10.50	13.00	74	1,700 [802]
	RCFL-A*6024(RHWP-08WRX60A)	57,500 [16.8]	40,900 [12.0]	16,600 [4.9]	11.00	13.00	74	1,650 [779]
	RCFL-A*6024(RHWP-10WRX60A)	58,000 [17.0]	41,800 [12.2]	16,200 [4.7]	11.00	13.00	74	1,700 [802]
	RCFL-A*6024+RXMD-C04	56,500 [16.6]	38,950 [11.4]	17,550 [5.1]	10.50	13.00	74	1,525 [720]
	RCFL-H*6024(RGGE-12?RCM?)	57,000 [16.7]	40,000 [11.7]	17,000 [5.0]	10.50	13.00	74	1,575 [743]
	RCFL-H*6024(RGJF-12?RCM?)	57,000 [16.7]	40,000 [11.7]	17,000 [5.0]	10.50	13.00	74	1,575 [743]
	RCFL-H*6024(RGLE-07?BRQ?)	57,000 [16.7]	40,000 [11.7]	17,000 [5.0]	10.50	13.00	74	1,600 [755]
	RCFL-H*6024(RGLE-10?BRM?)	57,500 [16.8]	40,000 [11.7]	17,500 [5.1]	10.50	13.00	74	1,600 [755]
	RCFL-H*6024(RGLE-12?ARM?)	57,500 [16.8]	40,000 [11.7]	17,500 [5.1]	10.50	13.00	74	1,600 [755]
	RCFL-H*6024(RGLT-12?ARM?)	57,500 [16.8]	41,500 [12.2]	16,000 [4.7]	10.50	13.00	74	1,700 [802]
	RCFL-H*6024(RGPE-07?BRQ?)	57,000 [16.7]	40,000 [11.7]	17,000 [5.0]	10.50	13.00	74	1,600 [755]
	RCFL-H*6024(RGPE-10?BRM?)	57,500 [16.8]	40,500 [11.9]	17,000 [5.0]	10.50	13.00	74	1,625 [767]
	RCFL-H*6024(RGPE-12?ARM?)	57,500 [16.8]	40,500 [11.9]	17,000 [5.0]	10.50	13.00	74	1,625 [767]
	RCFL-H*6024(RGPT-10?BRM?)	57,500 [16.8]	41,500 [12.2]	16,000 [4.7]	10.50	13.00	74	1,700 [802]
	RCFL-H*6024(RGPT-12?ARM?)	57,500 [16.8]	41,500 [12.2]	16,000 [4.7]	10.50	13.00	74	1,700 [802]
	RCFL-H*6024(RHWP-08WRX60A)	57,500 [16.8]	40,900 [12.0]	16,600 [4.9]	11.00	13.00	74	1,650 [779]
	RCFL-H*6024(RHWP-10WRX60A)	58,000 [17.0]	41,800 [12.2]	16,200 [4.7]	11.00	13.00	74	1,700 [802]
	RBHP-25(RCHL-60A1)	57,500 [16.8]	42,150 [12.3]	15,350 [4.5]	11.00	13.00	74	1,800 [849]
	RCQD-6024(RGPT-07?BRQ?)	56,000 [16.4]	38,800 [11.4]	17,200 [5.0]	10.50	13.00	74	1,550 [731]
	RHKL-HM6024(RCSL-H*6024)	60,500 [17.7]	46,550 [13.6]	13,950 [4.1]	11.50	13.50	74	1,800 [849]
	RHLL-HM6024(RCSL-H*6024)	60,500 [17.7]	46,550 [13.6]	13,950 [4.1]	11.50	13.50	74	1,800 [849]

① Highest sales volume tested combination required by D.O.E. test procedures.

[ ] Designates Metric Conversions

## Electrical and Physical Data

Model Number 13AJN	ELECTRICAL							PHYSICAL					
	Phase Frequency (Hz) Voltage (Volts)	Compressor		Fan Motor Full Load Amperes (FLA)	Minimum Circuit Ampacity Amperes	Fuse or HACR Circuit Breaker		Outdoor Coil			Refrig. Per Circuit Oz. [g]	Weight	
		Rated Load Amperes (RLA)	Locked Rotor Amperes (LRA)			Minimum Amperes	Maximum Amperes	Face Area Sq. Ft. [m <sup>2</sup> ]	No. Rows	CFM [L/s]		Net Lbs. [kg]	Shipping Lbs. [kg]
Rev. 5/17/2012													
18	1-60-208/230	9/9	46	0.6	12/12	15/15	20/20	7.13 [0.66]	1	1415 [668]	67.4 [1911]	120 [54.4]	128 [54.4]
24	1-60-208/230	13.5/13.5	58.3	0.6	18/18	25/25	30/30	8.43 [0.78]	1	1665 [786]	67.8 [1922]	121 [54.9]	129 [54.9]
30	1-60-208/230	12.8/12.8	64	0.8	17/17	25/25	25/25	8.70 [0.81]	1	2075 [979]	75.0 [2126]	139 [63.1]	147 [63.1]
36	1-60-208/230	16.7/16.7	79	0.8	22/22	30/30	35/35	13.72 [1.27]	1	2540 [1199]	90.6 [2569]	149 [67.6]	157 [67.6]
42	1-60-208/230	17.9/17.9	112	1.2	24/24	30/30	40/40	13.72 [1.27]	1	2540 [1199]	106.0 [3005]	149 [67.6]	157 [67.6]
48	1-60-208/230	21.8/21.8	117	1.2	29/29	35/35	50/50	16.39 [1.52]	1	3290 [1553]	116.1 [3291]	188 [85.3]	192 [85.3]
60	1-60-208/230	26.4/26.4	134	1.2	35/35	45/45	60/60	19.17 [1.78]	1	3380 [1595]	157.2 [4457]	223 [101.2]	234 [101.2]

Model Number 13ACN	ELECTRICAL							PHYSICAL					
	Phase Frequency (Hz) Voltage (Volts)	Compressor		Fan Motor Full Load Amperes (FLA)	Minimum Circuit Ampacity Amperes	Fuse or HACR Circuit Breaker		Outdoor Coil			Refrig. Per Circuit Oz. [g]	Weight	
		Rated Load Amperes (RLA)	Locked Rotor Amperes (LRA)			Minimum Amperes	Maximum Amperes	Face Area Sq. Ft. [m <sup>2</sup> ]	No. Rows	CFM [L/s]		Net Lbs. [kg]	Shipping Lbs. [kg]
Rev. 5/17/2012													
36	3-60-208/230	10.4/10.4	73	0.8	14/14	20/20	20/20	13.72 [1.27]	1	2540 [1199]	90.6 [2569]	149 [67.6]	157 [67.6]
42	3-60-208/230	13.2/13.2	88	1.2	18/18	25/25	30/30	13.72 [1.27]	1	2540 [1199]	106.0 [3005]	149 [67.6]	157 [67.6]
48	3-60-208/230	13.7/13.7	83.1	1.2	19/19	25/25	30/30	16.39 [1.52]	1	3290 [1553]	116.1 [3291]	188 [85.3]	192 [85.3]
60	3-60-208/230	16/16	110	1.2	22/22	30/30	35/35	19.17 [1.78]	1	3380 [1595]	157.2 [4457]	223 [101.2]	234 [101.2]

Model Number 13ADN	ELECTRICAL							PHYSICAL					
	Phase Frequency (Hz) Voltage (Volts)	Compressor		Fan Motor Full Load Amperes (FLA)	Minimum Circuit Ampacity Amperes	Fuse or HACR Circuit Breaker		Outdoor Coil			Refrig. Per Circuit Oz. [g]	Weight	
		Rated Load Amperes (RLA)	Locked Rotor Amperes (LRA)			Minimum Amperes	Maximum Amperes	Face Area Sq. Ft. [m <sup>2</sup> ]	No. Rows	CFM [L/s]		Net Lbs. [kg]	Shipping Lbs. [kg]
Rev. 5/17/2012													
36	3-60-460	5.8/5.8	38	0.35	8/8	15/15	15/15	13.72 [1.27]	1	2540 [1199]	90.6 [2569]	149 [67.6]	157 [67.6]
42	3-60-460	6/6	44	0.8	9/9	15/15	15/15	13.72 [1.27]	1	2540 [1199]	106.0 [3005]	149 [67.6]	157 [67.6]
48	3-60-460	6.2/6.2	41	0.8	9/9	15/15	15/15	16.39 [1.52]	1	3290 [1553]	116.1 [3291]	188 [85.3]	192 [85.3]
60	3-60-460	7.8/7.8	52	0.8	11/11	15/15	15/15	19.17 [1.78]	1	3380 [1595]	157.2 [4457]	223 [101.2]	234 [101.2]

Model Number 13AYN	ELECTRICAL							PHYSICAL					
	Phase Frequency (Hz) Voltage (Volts)	Compressor		Fan Motor Full Load Amperes (FLA)	Minimum Circuit Ampacity Amperes	Fuse or HACR Circuit Breaker		Outdoor Coil			Refrig. Per Circuit Oz. [g]	Weight	
		Rated Load Amperes (RLA)	Locked Rotor Amperes (LRA)			Minimum Amperes	Maximum Amperes	Face Area Sq. Ft. [m <sup>2</sup> ]	No. Rows	CFM [L/s]		Net Lbs. [kg]	Shipping Lbs. [kg]
Rev. 5/17/2012													
48	3-60-575	4.8/4.8	33	0.8	7/7	15/15	15/15	16.39 [1.52]	1	3290 [1553]	116.1 [3291]	188 [85.3]	192 [85.3]
60	3-60-575	5.7/5.7	38.9	0.8	8/8	15/15	15/15	19.17 [1.78]	1	3380 [1595]	157.2 [4457]	223 [101.2]	234 [101.2]

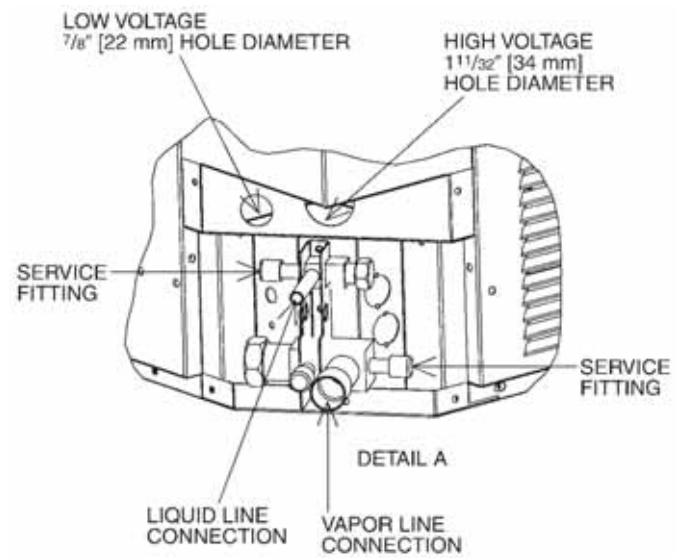
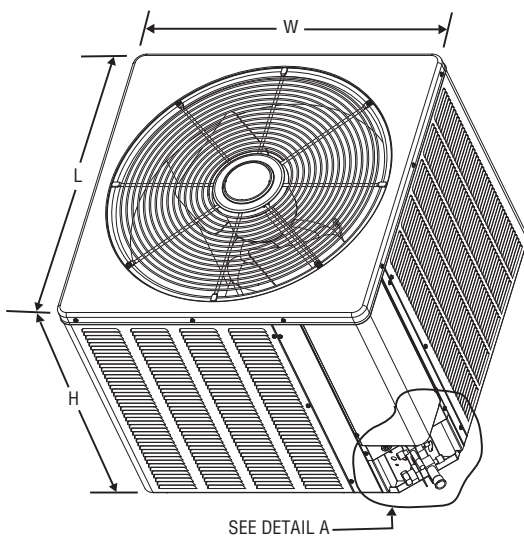
NOTE: Factory Refrigerant Charge includes refrigerant for 15 feet of standard line set.

[ ] Designates Metric Conversions

## Unit Dimensions

Model No. 13A(-)N	Unit Dimensions		
	Width "W" Inches	Length "L" Inches	Height "H" Inches
18, 24	23 <sup>5</sup> / <sub>8</sub> [600]	23 <sup>5</sup> / <sub>8</sub> [600]	24 <sup>1</sup> / <sub>4</sub> [616]
30, 36, 42	27 <sup>5</sup> / <sub>8</sub> [702]	27 <sup>5</sup> / <sub>8</sub> [702]	24 <sup>1</sup> / <sub>4</sub> [616]
48	31 <sup>5</sup> / <sub>8</sub> [803]	31 <sup>5</sup> / <sub>8</sub> [803]	27 <sup>15</sup> / <sub>16</sub> [710]
60	31 <sup>5</sup> / <sub>8</sub> [803]	31 <sup>5</sup> / <sub>8</sub> [803]	35 <sup>15</sup> / <sub>16</sub> [913]

[ ] Designates Metric Conversions



## Condensing Unit Refrigerant Line Size Information

Liquid Line Sizing (R-410A)														
System Capacity	Liquid Line Connection Size (Inch I.D.)	Line Size (Inch O.D.) [mm]	Liquid Line Size – Outdoor Unit Above Indoor Coil (Cooling Only—Does not apply to Heat Pumps)						Liquid Line Size – Outdoor Unit Below Indoor Coil					
			Total Equivalent Length—Feet [m]						Total Equivalent Length—Feet [m]					
			25 [7.62]	50 [15.24]	75 [22.86]	100 [30.48]	125 [38.10]	150 [45.72]	25 [7.62]	50 [15.24]	75 [22.86]	100 [30.48]	125 [38.10]	150 [45.72]
			Minimum Vertical Separation—Feet [m]						Maximum Vertical Separation—Feet [m]					
1 1/2 Ton	3/8" [9.53]	1/4 [6.35]	0	0	0	0	8 [2.44]	24 [7.32]	25 [7.62]	40 [12.19]	25 [7.62]	9 [2.74]	N/A	N/A
		5/16 [7.94]	0	0	0	0	0	0	25 [7.62]	50 [15.24]	62 [18.90]	58 [17.68]	53 [16.15]	49 [14.94]
		3/8* [9.53]	0	0	0	0	0	0	25 [7.62]	50 [15.24]	75 [22.86]	72 [21.95]	70 [21.34]	68 [20.73]
2 Ton	3/8" [9.53]	1/4 [6.35]	0	3 [0.91]	29 [8.84]	55 [16.76]	81 [24.69]	108 [32.92]	23 [7.01]	N/A	N/A	N/A	N/A	N/A
		5/16 [7.94]	0	0	0	0	0	0	25 [7.62]	36 [10.97]	29 [8.84]	23 [7.01]	16 [4.88]	9 [2.74]
		3/8* [9.53]	0	0	0	0	0	0	25 [7.62]	50 [15.24]	72 [21.95]	70 [21.34]	68 [20.73]	65 [19.81]
2 1/2 Ton	3/8" [9.53]	1/4 [6.35]	0	14 [4.27]	56 [17.07]	98 [29.87]	N/A	N/A	25 [7.62]	N/A	N/A	N/A	N/A	N/A
		5/16 [7.94]	0	0	0	0	0	0	25 [7.62]	49 [14.94]	38 [11.58]	27 [8.23]	17 [5.18]	6 [1.83]
		3/8* [9.53]	0	0	0	0	0	0	25 [7.62]	50 [15.24]	68 [20.73]	65 [19.81]	62 [18.90]	58 [17.68]
3 Ton	3/8" [9.53]	5/16 [7.94]	0	0	0	0	0	9 [2.74]	25 [7.62]	50 [15.24]	37 [11.28]	22 [6.71]	7 [2.13]	N/A
		3/8* [9.53]	0	0	0	0	0	0	25 [7.62]	50 [15.24]	68 [20.73]	63 [19.20]	58 [17.68]	53 [16.15]
3 1/2 Ton	3/8" [9.53]	5/16 [7.94]	0	0	0	16 [4.88]	35 [10.67]	54 [16.46]	25 [7.62]	23 [7.01]	4 [1.22]	N/A	N/A	N/A
		3/8* [9.53]	0	0	0	0	0	0	25 [7.62]	50 [15.24]	43 [13.11]	36 [10.97]	30 [9.14]	24 [7.32]
4 Ton	3/8" [9.53]	3/8* [9.53]	0	0	0	0	0	0	25 [7.62]	46 [14.02]	38 [11.58]	30 [9.14]	22 [6.71]	15 [4.57]
		1/2 [12.57]	0	0	0	0	0	0	25 [7.62]	50 [15.24]	56 [17.07]	55 [16.76]	53 [16.15]	52 [15.85]
5 Ton	3/8" [9.53]	3/8* [9.53]	0	0	0	0	0	0	25 [7.62]	50 [15.24]	56 [17.07]	44 [13.41]	32 [9.75]	20 [6.10]
		1/2 [12.57]	0	0	0	0	0	0	25 [7.62]	50 [15.24]	75 [22.86]	81 [24.69]	79 [24.08]	76 [23.16]

NOTES: \*Standard line size  
N/A = Application not recommended.

Suction Line Length/Size versus Capacity Multiplier (R-410A)									
Unit Size		1 1/2 Ton	2 Ton	2 1/2 Ton	3 Ton	3 1/2 Ton	4 Ton	5 Ton	
Suction Line Connection Size		3/4" [19.05] I.D.				7/8" [22.23] I.D.			
Suction Line Run—Feet [m]		5/8" [15.88 mm] O.D. Opt. 3/4" [19.05 mm] O.D. Std.*		5/8" [15.88 mm] O.D. Opt. 3/4" [19.05 mm] O.D. Std.* 7/8" [22.23 mm] O.D. Opt.		3/4" [19.05 mm] O.D. Opt. 7/8" [22.23 mm] O.D. Std.*		7/8" [22.23 mm] O.D. Opt. 1 1/8" [28.58 mm] O.D. Std.*	
25' [7.62]	Optional	1.00	1.00	1.00	1.00	1.00	1.00	1.00	
	Standard	1.00	1.00	1.00	1.00	1.00	1.00	1.00	
50' [15.24]	Optional	0.98	0.98	0.96	0.98	0.99	0.99	0.99	
	Standard	0.99	0.99	0.98	0.99	0.99	0.99	0.99	
100' [30.48]	Optional	0.95	0.95	0.94	0.96	0.96	0.96	0.97	
	Standard	0.96	0.96	0.96	0.97	0.98	0.98	0.98	
150' [45.72]	Optional	0.92	0.92	0.91	0.94	0.94	0.95	0.94	
	Standard	0.93	0.94	0.93	0.95	0.96	0.96	0.97	
	Optional	—	—	0.95	—	—	—	—	
	Standard	—	—	—	—	—	—	—	

NOTES: \*Standard line size  
Using suction line larger than shown in chart will result in poor oil return and is not recommended.

[ ] Designates Metric Conversions

**GENERAL TERMS OF LIMITED WARRANTY\***

Rheem will furnish a replacement for any part of this product which fails in normal use and service within the applicable period stated, in accordance with the terms of the limited warranty.

Conditional Parts  
(Registration Required) .....Ten (10) Years

**\*For complete details of the Limited and Conditional Warranties, including applicable terms and conditions, contact your local contractor or the Manufacturer for a copy of the product warranty certificate.**







The new degree of comfort.™

*In keeping with its policy of continuous progress and product improvement, Rheem reserves the right to make changes without notice.*

Rheem Heating, Cooling & Water Heating • P.O. Box 17010  
Fort Smith, Arkansas 72917 • [www.rheem.com](http://www.rheem.com)

Rheem Canada Ltd./Ltée • 125 Edgeware Road, Unit 1  
Brampton, Ontario • L6Y 0P5



INTEGRATED HOME COMFORT

PRINTED IN U.S.A 11/12 QG FORM NO. A11-218 REV. 1