



Institutional Quality - Specification Grade

Contemporary Design • Individually Pressure Tested



AB 1953

Heavy Duty - Wall Mount - 8" Centers

- Chrome plated brass
- 1/2" FPT Inlets
- Twin seal chrome plated brass tubular swing spout
- 55/64" Female water saver aerator
- Color coded handles
- Full flow with a quarter turn of the handle



333 Series Stems
33029 - Handle
Use Swing or Goose Spout

PART NUMBER	SPOUT LENGTH	ADJUSTS
33006	6"	7-1/2" to 8-1/2"
33008	8"	
33010	10"	
33012	12"	
33014	14"	

Medium Duty - Wall Mount - 8" Centers

- Chrome plated brass
- 1/2" FPT Inlets
- Twin seal chrome plated brass tubular swing spout
- 55/64" Female water saver aerator



333 Series Stems
33029 - Handle
Use Swing or Goose Spout

PART NUMBER	SPOUT LENGTH	ADJUSTS
33306	6"	7-1/2" to 8-1/2"
33308	8"	
33310	10"	
33312	12"	
33314	14"	

Heavy Duty - Deck Mount - 8" Centers

- Chrome plated brass
- 1/2" FPT Inlets
- Twin seal chrome plated brass tubular swing spout
- 55/64" Female water saver aerator
- Color coded handles



PART NUMBER	LENGTH
33410	10"
33412	12"

Commercial Faucets



Highest Quality • Durable • Reliable • Economical

Compliant

AB 1953

Heavy Duty - Deck Mount - 4" Centers

- Chrome plated brass
- 1/2" FPT inlets
- Satin finished brass water ways
- 55/64" Female water saver aerator
- Twin Seal chrome plated brass tubular swing spout



330 Series Stems

33029 - Handle

Use Swing or
Goose Spout

PART NUMBER	SPOUT LENGTH
33105	6"
33106	12"
33105-G	6" Gooseneck

Medium Duty - Deck Mount - 4" Centers - Sink or Laundry Tray

- Same features as above model but a lighter pattern style and plain brass water ways.
- Supplied with hose thread adapter



331 Series Stems

33160 - Set of Handles

PART NUMBER	SPOUT LENGTH
33151	6" Gooseneck
33152	6"
33153	8"
33154	10"
33155	12"

Medium Duty - Wall Mount - 4" Centers

- Same features as above models but a lighter pattern style and plain brass water ways



331 Series Stems

33160 - Set of Handles

PART NUMBER	SPOUT LENGTH
33161	6" Gooseneck
33162	6"
33163	8"
33164	10"
33165	12"
33166	14"



Special Duty Commercial Faucets

Highest Quality • Durable • Reliable • Economical

Service Sink Faucets - 8" Centers - 8" Spout

- Integral check stems
- 1/2" FPT inlets
- Satin chrome plated brass
- 3/4" Male hose thread on spout
- Chrome plated brass hinged wall support
- 7-1/2" to 8-1/2" Wall centers



- 33110-B Wall Bracket only
- 330 Series Stem
- 33029 Hot/Cold Handle
- 33101 Brass Slide for Vacuum Breaker
- 33102 Vacuum Breaker Replacement Kit, includes Slide and Insert
- 33103 Plastic Insert for Vacuum Breaker

***Not For Potable Water**

PART NUMBER
33110

Service Sink Faucets - 8" Centers - 2-1/2" Spout

Same features as above model, with the exception of no hinged wall support.



- 330 Series Stem
- 33029 - Handle

***Not For Potable Water**

PART NUMBER
33109

Rubber Mop Sink Hose

- 3/4" female hose thread
- 36" braided hose (shortened photo)



Hose and Bracket sold separately



PART NUMBER
489

Mop Sink Hose Bracket

- Cam action wall bracket to hold hose
- With mounting screws



PART NUMBER
488



Commercial Faucet Replacement Parts

Heavy Duty Swing Spout

- Twin Seal -Tubular
- Chrome plated brass
- 55"/64" Female water saver aerator

Compliant AB 1953



PART NUMBER	LENGTH
33806	6"
33808	8"
33810	10"
33812	12"
33814	14"

Heavy Duty Gooseneck Spout

- Twin Seal -Tubular -
- Chrome plated brass
- 55"/64" Female aerator

Compliant AB 1953



PART NUMBER	LENGTH
33831	6"

Replacement Handles

- 20 Spline - Cold or Hot, Sold by the each



Sold Individually with red or blue indicator disks

PART NUMBER
33029

Blade Style Handles

- 20 Spline - Cold or Hot, Sold by the each,
- 4-1/2" Length



Sold Individually with red or blue indicator disks

PART NUMBER
33104

Stems with Handles

- Fits T&S



Compliant AB 1953

PART NUMBER	TYPE
33027-A	Cold
33028-A	Hot

Replacement Handles

- Hot/Cold handles fit 3315 Series Faucets



PART NUMBER
33160

Replacement Stems



330 Series



331 Series



333 Series

Compliant AB 1953

PART NUMBER	FITS FAUCET SERIES	TYPE
33027*	330	Cold
33028*	330	Hot
33158	331	Cold
33159	331	Hot
33320	333	Cold
33321	333	Hot

*Fits T&S

Female Supply Inlet Couplings

- Chrome plated brass - 1/2" FPT inlets
- 33350 and 33352 fit heavy duty wall mount faucets
- 33351 fits moderate duty wall mount faucets



PART NUMBER	FITS	ADJUSTS
33350	Heavy Duty	7-1/2" to 8-1/2"
33351	Medium Duty	7-1/2" to 8-1/2"
33352	Heavy Duty	4-1/2" to 12-1/2" with stops



Commercial Pre-Rinse Assemblies

Chrome Plated Brass • Built for Rugged Use



AB 1953

Wall Mount - 8" Centers

Available with either standard 7-1/2" to 8-1/2" adjustable female supply inlet couplings or, with 4-1/2" to 12-1/2" female supply inlet couplings with stops.

- Metal handle - plastic grip spray
- 1/2" FPT inlets
- 3/8" IPS X 24" Chrome plated brass riser
- 38" Stainless steel hose
- 12" Wall bracket
- Food service grade
- Uses 33614 Pre-Rinse Faucet



330 Series Stem
33029 - Handle

Interchanges
with T&S

PART NUMBER	ADJUSTS
33013	7-1/2" to 8-1/2"
33016	4-1/2" to 12-1/2" with stops



Pre-Rinse Spray Assembly Parts

Pre-Rinse Add On Faucet

- Connects to 3/8" pre-rinse riser
- Chrome plated brass
- 3/8" X 2-3/4" MIP inlet
- Fits all manufacturers

Compliant AB 1953



PART NUMBER	SPOUT LENGTH
33614	6"
33614-8	8"
33614-10	10"
33614-12	12"

Pre-Rinse Spray Cartridge

Chrome plated brass



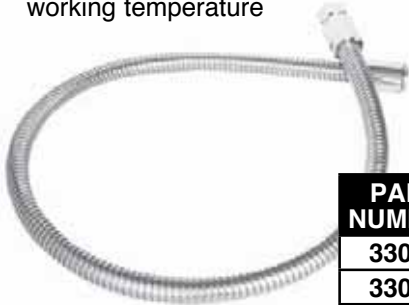
Compliant AB 1953

PART NUMBER
33019

Replaces T & S

Pre-Rinse Hoses

- Flexible stainless steel
- Food grade inner hose withstands continuous working temperature



PART NUMBER	LENGTH
33044	38"
33060	54"

Pre-Rinse Spring - Riser Nipple & Spring Coupling

Spring shortened for photo



PART NUMBER	DESCRIPTION
33022	L-Spring, 1-1/2" diameter
33023	3" Spring coupling Chrome plated brass 3/8" coarse thread x 3/8" FIP
33024	3/8" x 24" CP riser nipple*

*not pictured

Pre-Rinse Spray

Compliant AB 1953

- Chrome plated brass
- Metal handle - plastic grip
- Connects directly to hose
- High pressure wash
- Positive shut off
- Stay ring included



PART NUMBER	DESCRIPTION
33018	Complete unit
33020	Bumper ring only
33021	Spray face only
33030	Insulated brass handle

Replaces T & S

Pre-Rinse Wall Bracket & Riser Hook

Chrome plated brass



PART NUMBER	DESCRIPTION
33025	1/2" Wall bracket fits 3/8" riser
33026	3/8" Riser hook



Lever & Twist Commercial Sink Drain

Nickel plated brass body, stainless steel handle, stainless steel strainer, nickel plated brass stopper.
Replaces Franklin, Klein, Chicago Faucet, T&S

Lever Handle Drain without Overflow



PART NUMBER	SINK OPENING	DRAIN CONNECTION
33122	3-1/2"	1-1/2"
33123	3-1/2"	2"

Lever Handle Drain with 1-1/4" Overflow Outlet



PART NUMBER	SINK OPENING	DRAIN CONNECTION
33131	3-1/2"	1-1/2"
33125	3-1/2"	2"

Twist Lever Handle Drain without Overflow



PART NUMBER	SINK OPENING	DRAIN CONNECTION
33126	3-1/2"	1-1/2"
33127	3-1/2"	2"

Twist Lever Handle Drain with 1-1/4" Overflow Outlet



PART NUMBER	SINK OPENING	DRAIN CONNECTION
33145	3-1/2"	1-1/2"
33146	3-1/2"	2"

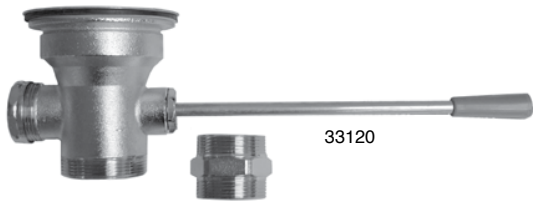
The above drains fit a 3-1/2" sink opening and utilize a 4-1/2" strainer flange.

Commercial Faucets



Combo Lever & Twist Commercial Sink Drain for 3" Sink Openings

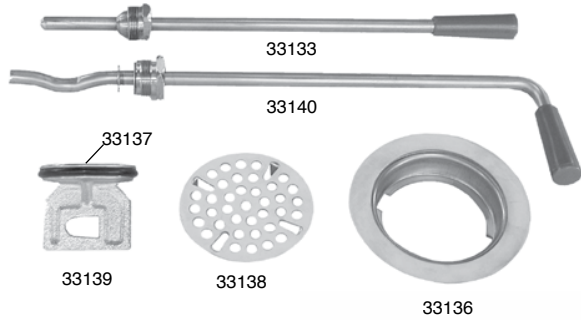
New!



- Supplied with tailpiece for either 2" or 1-1/2" drain outlet
- Supplied with an overflow outlet
- A blind cap is also supplied if overflow is not used

PART NUMBER	SINK OPENING	HANDLE
33120	3"	Lever
33124	3"	Twist

Handles and strainer are stainless steel. Drain body and stopper are nickel plated brass



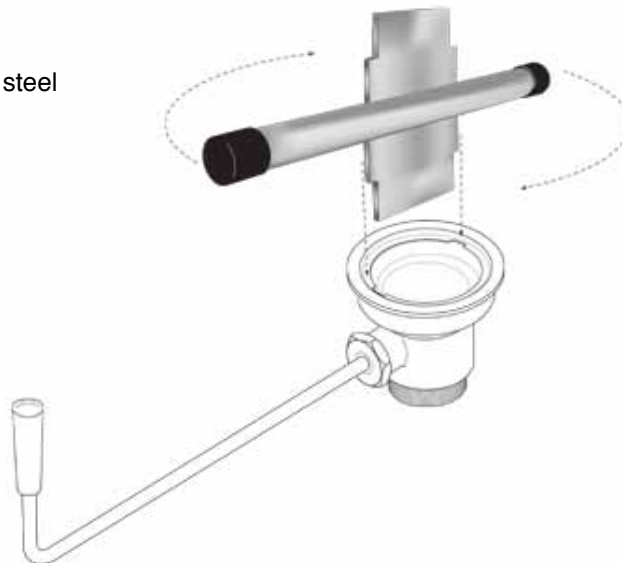
PART NUMBER	DESCRIPTION
33133	Lever Handle
33136	3-1/2" Strainer Flange
33137	O-Ring for Stopper
33138	3-1/2" Strainer
33139	Stopper with O-Ring
33140	Twist Handle
33143	2" x 1-1/2" Slip Joint Drain Reducer Bushing*
33150	Repair Kit for all drains listed

*not pictured

Commercial Sink Drain Tool

- Removes Lever & Twist Drains
- Fits 3" & 3-1/2" drains
- Constructed from 304 stainless steel
- Drain Sold Separately

New!



PART NUMBER
7093





Sink or Laundry Tray Faucet 7-1/2" to 9-1/2" Adjustment

This popular utility faucet can now be wall mounted or deck mounted.

PASCO re-introduces this popular utility faucet which was discontinued by Price Pfister.

- Replaces Price Pfister Beverly laundry tray faucet
- 7-1/2" to 9-1/2" wall adjustment
- Chrome plated brass
- 5-1/2" male hose thread spout
- Inlet bodies screw directly onto 1/2" IPS inlet nipples
- Easily adapts to a wide variety of installations

Replacement Stem 21-392
Handle 21-210C 21-220H



Remove hot side inlet and rotate 90° to change faucet to a deck mount.



Part #: 2139

***Not For Potable Water**

PART NUMBER
69120

Deck - Patio - Pool - Campground Exposed Shower

- Economical, yet ruggedly constructed for outdoor installations.
- Wall mount
- Chrome Plated Brass
- 7" to 9-1/2" wall adjustment
- Adjustable low flow showerhead
- 6" Adjustable Wall Bracket
- Cross Handles
- 24" Riser
- 1/2" IPS Female Inlets



Replacement Stem 21-392

PART NUMBER
67252

Commercial Faucets



Quarter Turn Lavatory Faucet

- Not self-closing
- Plumbers Quality
- Chrome plated brass
- Low flow aerator
- Hot or cold cross handle
- 1/2" IPS shank
- Complete with locknut and rosette



Compliant AB 1953

PART NUMBER	HANDLE
21805	Hot
21806	Cold

Self-Closing Lavatory Faucets - Heavy Duty

New Design

- Star or lever handle
- Vandal proof cap and aerator
- Chrome plated brass
- 1/2" IPS shank
- Low flow aerator
- Complete with locknut and rosette



***Not For Potable Water**

PART NUMBER	HANDLE STYLE
21931	Star
21932	Lever

Self-Closing Wall Faucets - Heavy Duty

New Design

- Star or lever handle
- Vandal proof cap
- No aerator
- Chrome plated brass
- 1/2" FPT inlet



***Not For Potable Water**

PART NUMBER	HANDLE STYLE
21936	Star
21937	Lever

Push Button Self-Closing Lavatory Faucet

- Economical
- Chrome plated brass
- Low flow aerator
- 1/2" IPS shank
- Complete with locknut and rosette
- Non-adjustable slow close
- Closes in approximately 6 seconds at 60 PSI.



***Not For Potable Water**

PART NUMBER
21803

Push Button Self-Closing Lavatory Faucet

- Use 1/16" Hex key to adjust slow close timing screw. Adjusts closing time from 3 to 15 seconds
- Plumbers Quality
- Chrome plated brass
- Low flow aerator
- 1/2" IPS shank
- Complete with locknut and rosette



***Not For Potable Water**

SEPARATE CARTRIDGE	PART NUMBER
21333	21800



Push Button Drinking Fountain

- 3/8" FPT
- Chrome plated brass
- Lead-free cartridges
- Replaces HAWS HW5010

Compliant

AB 1953



PART NUMBER	DESCRIPTION
2194	Bubbler w/lead free cartridge
2195	Lead-free brass replacement cartridges

PART NUMBER	REPAIR PARTS
2194-1	Chrome collar for button
2194-2	Chrome push button
2194-3	Cartridge retention bushing
2194-6	Inlet washer
2194-M	Mouthpiece set

Push Button Drinking Fountain Retro Fit Kit

Replaces fountains on china fixtures

Compliant

AB 1953

Kit contains:

- # 2194 Chrome plated brass bubbler head with lead-free cartridges
- 1/2" x 3/8" x 3-1/2" inlet nipple
- Polished stainless steel flange
- Rosette, locknut & coupling nut
- 1-3/4" cockhole cover



PART NUMBER	DESCRIPTION
2197	Retro-fit Kit
1270	SS flange only
2187	Brass nipple only
2197-K	Repair kit contains all the above except 2194 Bubbler

Self-Closing Drinking Fountain

- 1/2" FPT
- Chrome plated brass
- Flow regulator screw
- Cross handle
- Precision ball bearing actions

Compliant

AB 1953



PART NUMBER	FPT
2190	1/2"
2190-RK	Repair Kit

Replacement Parts For Drinking Fountains

for part numbers:

- 2194
- 2197



PART NUMBER	DESCRIPTION
2194-1	Chrome collar for button
2194-2	Chrome push button
2194-3	Cartridge retention bushing
2194-6	Inlet washer
2194-M	Mouthpiece set



Pure Flow Drinking Fountain Cartridge

- The simple yet durable design allows thousands of on/off cycles
- Fits similar style of fountains like our 2194
- This new design replaces the old style 2195 and 2196 cartridges
- Durable - Lead Free - Easily Adjusted

Compliant AB 1953

Replaces:
HAW VRK5010
HALSEY-TAYLOR 15010
TOMLINSON 1016337



2195



To adjust water flow, use the "Serrated Dial Counter." DO NOT USE A SCREWDRIVER. Position the dial turning clockwise to decrease water flow. To increase water flow, turn the dial in a counter clockwise direction. Note the position of the notch on the dial (if turned past 180° the water flow will start to decrease.)

PART NUMBER
2195
2195-SS

Remote Bush Button Valve

- Superior quality
- Chrome plated brass button and escutcheon
- 1/4" FPT
- Lead-free cartridge

Compliant AB 1953



PART NUMBER
2179

Fountain Bushing & Valve Wrench 2-in-1 Tool

- Tightens or loosens cartridge retaining bushing
- Prevents bushing thread damage which causes leaks




PART NUMBER
7047



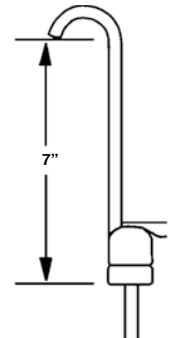
Commercial Faucets

Glass Fillers - 3 Styles

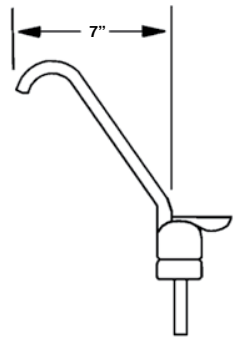
The Original




Tall Spout



Long Reach




- Chrome plated brass
- 1/4" or 3/8" compression connection

Compliant 

AB 1953

PART NUMBER	DESCRIPTION
2040	Original - 1/4"
2041	Original - 3/8"
2040-TS	Tall Spout - 1/4"
2040-LR	Long Reach - 1/4"

Replacement Parts




2039 2040-C 2044

PART NUMBER	CONNECTION
2039	3-3/4" Stud Extender
2044	Repair Kit
2040-C	1/4" x 3/8" Tubing Reducing Coupling

Commercial Sink Overflow

- Chrome plated brass
- 1-1/4" x 14" x 18" Tube
- 1-1/4" Satin chrome plated elbow
- Stainless steel overflow strainer & screw



PART NUMBER	DESCRIPTION
33141	Strainer with 1-1/4" ELL
33142	1-1/4" x 14" x 18" brass overflow elbow for slip joint connection
33144	Strainer Only
33147	Complete unit as shown

Commercial Faucets



Self-Closing Valve

- Chrome plated brass
- 1/2" FPT x 1/2" FPT



**PART
NUMBER**
2192

Push Button Self-Closing 90 Degree Valve

- Chrome plated brass
- Use 1/16" Hex key to adjust slow close timing screw. Adjusts closing time from 3 to 15 seconds
- 1/2" FPT inlet and outlet valve ONLY, no nipples



**PART
NUMBER**
21810

Push Button Self-Closing 180 Degree Valve

- Chrome plated brass
- Use 1/16" Hex key to adjust slow close timing screw. Adjusts closing time from 3 to 15 seconds
- 1/2" FPT inlet and outlet valve ONLY, no nipples



**PART
NUMBER**
21830

Self-Closing Shower Valve

- Chrome plated brass
- 1/2" FPT inlet and outlet



**PART
NUMBER**
2193



**Push Button Self-Closing
90 Degree FlushValve with Vacuum Breaker**

- Use 1/16" Hex key to adjust slow close timing screw. Adjusts closing time from 3 to 15 seconds
- Plumbers quality
- Chrome plated brass
- 1/2" FPT inlet
- Vacuum breaker with 9" overall length
- Chrome plated brass urinal spud flange with spud nut, washers
- 1/2" IPS wall flange



PART NUMBER	DESCRIPTION
21849	Complete flushvalve WITH vacuum breaker
21850	Valve ONLY with vacuum breaker adapter
21333	Cartridge ONLY
2020	3/4" x 1-1/2" Chrome plated brass valve to vacuum breaker adapter ONLY
980	Spud nut ONLY, with washer
981	Chrome plated brass escutcheon ONLY
982	Spud nut, escutcheon & washer

**Push Button Self-Closing
90 Degree FlushValve**

- Use 1/16" Hex key to adjust slow close timing screw. Adjusts closing time from 3 to 15 seconds
- Plumbers quality
- Chrome plated brass
- 1/2" FPT inlet
- 3/4" OD x 8" CP brass tailpiece
- Chrome plated brass urinal spud flange with spud nut, washers
- 1/2" IPS wall flange



PART NUMBER	DESCRIPTION
21840	Complete flushvalve LESS vacuum breaker
21845	Valve ONLY with nut & washer
21333	Cartridge ONLY
980	Spud nut ONLY, with washer
981	Chrome plated brass escutcheon & washer
982	Spud nut, escutcheon & washer
997	3/4" OD x 8" CP Brass tube, no threads with washers

**Vacuum Breaker
with Flush Tailpiece**

- Chrome plated brass
- 9" Overall length
- 1-1/2" Top connection
- 3/4" OD flush tube



PART NUMBER
2022

Vacuum Breaker Repair Kit



PART NUMBER
2025