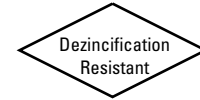


200 PSI CWP Bronze Gate Valves

Bronze Body • Screw-in Bonnet • Non-Rising Stem • Solid Wedge • Compact Design • Full Port

200 PSI/14 Bar Non-Shock Cold Working Pressure



MATERIAL LIST

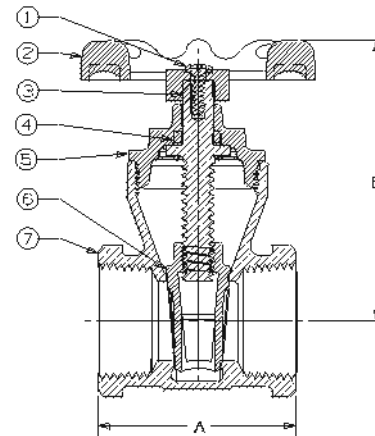
PART	SPECIFICATION
1. Handwheel Screw	Stainless Steel, Type 430
2. Handwheel	Aluminum
3. Stem	Bronze ASTM B 99 Alloy C65100 H04
4. Stem O-Ring	EPDM
5. Bonnet	Cast Brass ASTM B 584 Alloy C84400
6. Wedge	Cast Brass ASTM B 584 Alloy C84400
7. Body	Cast Brass ASTM B 584 Alloy C84400



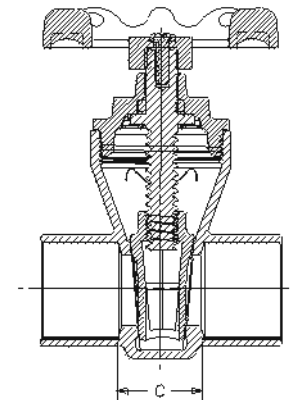
T-29
Threaded



S-29
Solder



T-29
NPT x NPT



S-29
Cup x Cup

Size	Dimensions							
	In.	mm.	A		B		C	
1/2	15	1.89	48	2.2752	58	0.85	22	
3/4	20	2.04	52	2.745	70	0.88	22	
1	25	2.31	59	3.2327	82	0.968	25	
1 1/4	32	2.62	67	3.6057	92	1.06	27	
1 1/2	40	2.812	71	4.1378	105	1.2	30	
2	50	2.86	73	4.9712	126	1.32	34	

USE IN U.S. POTABLE DRINKING WATER APPLICATIONS IS PROHIBITED AFTER JANUARY 3, 2014