



4700 W. 160th St.
Cleveland, OH 44135
PH:800-321-9532
FX:800-321-9535
www.oatey.com

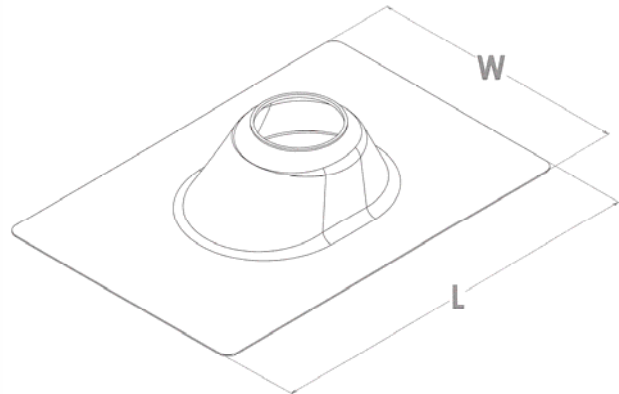
TECHNICAL SPECIFICATION

FLEX-FLASH™ ROOF FLASHINGS



Engineering Specification: Oatey Flex-Flash Roof Flashings can be used in commercial and residential applications where a watertight seal for roof penetrations around the plumbing vent pipe is required.

Job Reference



(All dimensions in inches)

- ◆ Roof Flashing slides over vent pipe for pitch to 45°
- ◆ Flexible base conforms to most flat or contoured roof surfaces including clay tile
- ◆ Non-fading sealing collar
- ◆ Approved for Type B installations
- ◆ Not for hot-mopped or built-up roofs
- ◆ Do not use paint or petroleum based products on Flex-Flash product

| ✓ | Product No. | Description | Length (L) | Width (W) | PACK | CARTON WEIGHT |
|---|-------------|--------------------------------------|------------|-----------|------|---------------|
| | 14009 | 1-¼" - 1-½" Flex-Flash Roof Flashing | 11-¼ | 9 | 12 | 6 lbs. |
| | 14012 | 2" Flex-Flash Roof Flashing | 11-¼ | 9 | 12 | 6 lbs. |
| | 14025* | 2-½" Flex-Flash Roof Flashing | 11-¼ | 9 | 12 | 7 lbs. |
| | 14038 | 3" Flex-Flash Roof Flashing | 13-¼ | 10 | 12 | 9 lbs. |
| | 14041 | 4" Flex-Flex Roof Flashing | 14 | 11-½ | 12 | 13 lbs. |



IAPMO Listed
*excludes #14025



Data is subject to manufacturing tolerances.