

Fiberglass Duct Tools



HVAC-Tools of the Trade

Original Flex Duct Cutter

U.S. Patent No. 5,226,237



FDC1

Wire Cutter

Built-in wire cutter lets you finish the job you started with just one tool! Double edged blade cleanly pierces through outer skin and insulation. Cuts from either direction around entire circumference of duct. Fine honed blade is long lasting stainless steel. Wire cutter cuts hardened wire rib coil. Compound leverage, for easy wire cutting. Comfortable, non-slip vinyl gripped handles.



CATALOG NUMBER	DESCRIPTION	LENGTH IN. (MM)	NET. WT. OZ. (G)
FDC1	Flex Duct Cutter	11-7/8 (302)	11 (312)

TOOL SPECIFICATIONS

Blades / Wire Cutter	VARIABLE LEVERAGE RATIO HIGH/LOW THROUGHOUT STROKE
High Carbon Steel	10.4 to 1.0 - 11.9 to 1.0 (Wire Cutter)

RELATED ITEMS

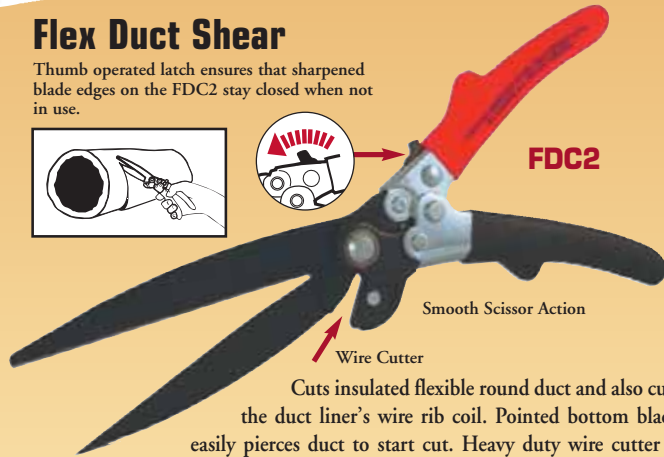
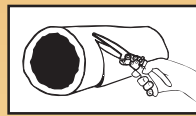
Flex Duct Tool Sheath Page 92

Tailor made for the FDC1 and FDC2. The TP601 is constructed of top grain saddle leather, double stitched and rivet reinforced.



Flex Duct Shear

Thumb operated latch ensures that sharpened blade edges on the FDC2 stay closed when not in use.



FDC2

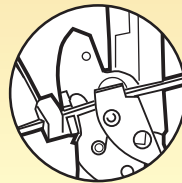
Smooth Scissor Action

Wire Cutter

Cuts insulated flexible round duct and also cuts the duct liner's wire rib coil. Pointed bottom blade easily pierces duct to start cut. Heavy duty wire cutter is located away from scissor blades. Thumb operated latch ensures that sharpened blade edges stay closed when not in use.

CATALOG NUMBER	LENGTH OF CUT IN. (MM)	TOOL LENGTH IN. (MM)	NET WT. OZ. (G)
FDC2	4-3/8 (111)	12-1/4 (311)	13 (369)

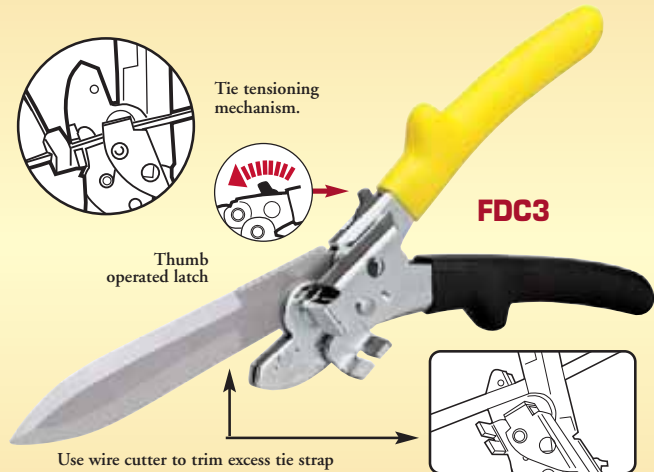
Multi-Purpose Flex Duct Tool



Tie tensioning mechanism.

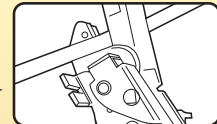


Thumb operated latch



FDC3

Use wire cutter to trim excess tie strap



Trim flex duct and tighten nylon ties with one tool!



The versatile, new FDC3 Flex Duct Tool from Malco is actually three tools in one! The finely honed double-edged knife blade cleanly pierces through the outer skin, insulation and liner construction of flexible round duct and cuts in either direction. A thumb-operated latch opens the tool's compound-leverage handles and the jaws of a built-in wire cutter to easily sever the exposed wire rib coil of duct liner. Use the tool's tie-tensioning mechanism to install a nylon tie strap and secure the flex duct take-off collar. With the handles of the FDC3 in the open position, a nylon tie can be threaded through the mechanism and then tightened by gently pumping the tool's handles. Use the wire cutter to trim excess tie strap tail. Trimming and installing flexible round duct is now as easy as one-two-three with Malco's new FDC3 multi-purpose Flex Duct Tool.

CATALOG NUMBER	LENGTH IN. (MM)	NET WT. OZ. (G)
FDC3	11-7/8 (302)	14 (397)

TOOL SPECIFICATIONS

BLADES / WIRE CUTTER	VARIABLE LEVERAGE RATIO HIGH/LOW THROUGHOUT STROKE
High Carbon Steel	10.4 to 1.0 - 11.9 to 1.0 (Wire Cutter)



HVAC-Tools of the Trade

Adjustable, High Leverage Tensioning Tool with Auto-Cut-Off

Hardened steel stampings with weather resistant nickel chrome finish.



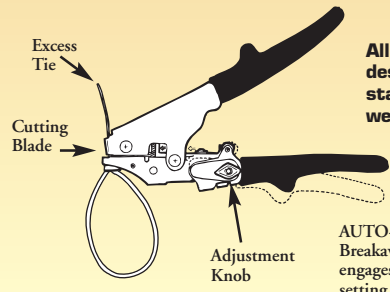
Vinyl cushion grips with hand stops

TY6

TENSIONING ADJUSTMENT KNOB AND AUTOMATIC CUT-OFF MECHANISM.

U.S. Patent No. 4,947,901 and U.S. Patent No. 5,048,575

CAUTION: DO NOT OVERTIGHTEN. ADJUST KNOB ONLY WITH FINGERS.



All Malco Tie Tools are designed to work on standard 175 lb. ties as well as thinner 125 lb. ties.

AUTO-CUT-OFF
Breakaway spring mechanism automatically engages cut-off blade at desired tension setting.

For continuous use on-the-job. The TY6 Tensioning Tool is designed for a heavy user of nylon ties. An adjustment knob allows installer to set desired tension for securing flex duct to a take-off collar. When the tie is tight, a breakaway spring mechanism releases the tool's lower handle, causing the blade to engage and automatically flush cut off the excess tail of the nylon tie. No extra operation for manual trimming is required. Nylon tie installation is fast and easy with the TY6. Works on all ties including thin designs.

Operating the TY6 is easy on the installer too! Contoured handles, with stops, are easier to grasp. Also, smooth lever action and vinyl cushion grips minimize hand and arm fatigue on big jobs.

The TY6 features a hardened steel body, long wearing parts, and a weather resistant nickel chrome finish to assure many years of dependable service.

Turn knob clockwise to increase tension and counterclockwise to decrease tension. Do not over-tighten. Adjust knob only with fingers to avoid breaking ties before cut-off occurs.



CATALOG NUMBER	DESCRIPTION	LENGTH IN. (MM)	NET WT. OZ. (G)
TY6	High Leverage Tie Tool	8-1/2 (216)	15 (425)



MANUAL CUT-OFF Tensioning Tools



TY4

TY4G

All Malco Tie Tools are designed to work on standard 175 lb. ties as well as thinner 125 lb. ties.

These rugged lever action tie tools feature a unique notched gripper. A clean black baked on enamel wrinkle finish will also weather the elements and stand up to abuse on-the-job. Comfortable handles reduce the pinch point area, and gray vinyl cushion grips are available on the model TY4G. Works on all ties including thin designs.

CATALOG NUMBER	DESCRIPTION	LENGTH IN. (MM)	NET WT. OZ. (G)
TY4	Manual Cut-Off Tie Tool	6 (152)	10 (284)
TY4G	Manual Cut-Off Tie Tool /Gripped	6 (152)	11 (312)

Adjustable Nylon Ties



Use Malco Nylon Ties to install flexible duct to take-offs, or secure bundles, up to 15" (3.81 cm) diameter. Made of 100% nylon, Malco ties offer a minimal tensile strength of 175 pounds.

CATALOG NUMBER	LENGTH IN. (MM)	WIDTH IN. (MM)	ADJUSTABLE DIA. IN. (MM)
TY34	36 (914)	3/8 (9.5)	to 10 (254)
TY48	48 (1219)	3/8 (9.5)	to 15 (381)

Duct Knife for Flex and Ductboard with Hardened Stainless Steel!



HVAC-Tools of the Trade

**Ergonomic
Cushioned Handle**
offers comfortable, sure grip.

**Puncture Resistant
Nylon Sheath**
included with DK6S
Cushion Gripped Knife.

DK6S



Serrated Edge
aids cutting "Flex"
fiberglass wool duct.

CATALOG NUMBER	DESCRIPTION	BLADE LENGTH IN. (MM)	NET WT. OZ. (G)
DK6S	Cushioned-Gripped Duct Knife (Serrated)	6 (152)	7 (199)

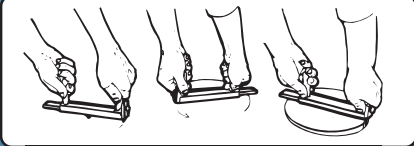
Fiberglass Duct Hole Cutter

Online Video
HVAC-Tools of the Trade

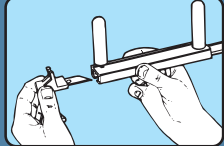


Makes precise holes in ductboard for flex duct take-offs.

Supplied with standard double point utility knife blade for cutting 1 inch (25.4 mm) board. **USE SPECIAL No. KBHC BLADE FOR 1-1/2 (38.1 mm) INCH DUCTBOARD.** Cuts 4" to 20" (102 to 508 mm) diameter holes in fiberglass ductboard. Operation is fast and easy. Cutter rotates counter clockwise on a center pivot punch. Durable extruded aluminum frame and engineering grade molded plastic and nylon components. Blade holder stores in body for safety and to protect blade from damage when not in use.



Rotate counter-clockwise as shown above.

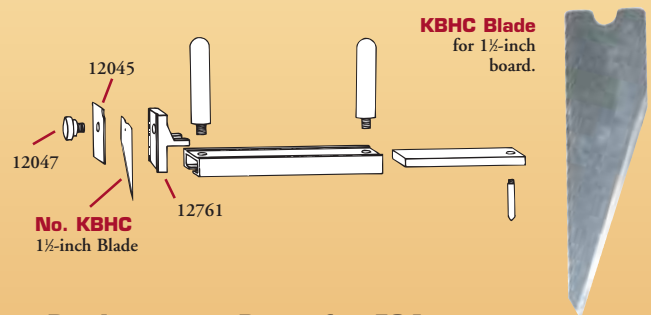


Replacement blade KBHC

CATALOG NUMBER	HOLE DIAMETER IN. (MM)	NET Wt. OZ. (g)
FG1	4 to 20 (102 to 508)	7.5 (213)

1-1/2" (38.1 mm) Ductboard Blade for FG1

KBHC 1-1/2" (38 mm) Ductboard Blade for FG1 Hole Cutter. Also works on 1" (25 mm) ductboard.

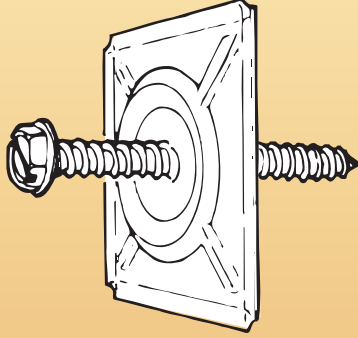


Replacement Parts for FG1

12761	Blade Holder
12045	Blade Clamp
12047	Blade Knob

Fiberglass Ductboard Washers

RW732



REINFORCEMENT WASHER

Use with #8 screw for fastening sheet metal components to fiberglass duct.

CATALOG NUMBER	DESCRIPTION
RW732	2-1/2" x 2-1/2" x .030" (64 x 64 x 0.76 mm) galvanized reinforced volcano washer with 7/32" (5.56 mm) diameter hole.

CATALOG NUMBER	DESCRIPTION
FLW	2-1/2" x 2-1/2" x .030" (64 x 64 x 0.76 mm) galvanized reinforced volcano washer with 1/8" (3.18 mm) diameter hole.