

PRODUCT GUIDE

MSY/Z-GE SERIES



Product Overview

Total control for total comfort: single rooms can have ultimate comfort with the power of precise control over hot and cold spots. Slim, wall-mounted indoor units provide zone comfort control. INVERTER-driven compressors and electronic LEVs provide NEW higher efficiency with controlled power usage. In Mitsubishi Electric's effort to continuously improve our product line, we have enhanced the performance of some of our GE line of equipment. We have increased the SEER and HSPF on some of our GE units. The improved models now include a "2" at the end of the model number.

MSZ/MUZ-GE-NA2 Heat Pumps | 2,800–22,500 Btu/h Capacity Range:

- Upgraded performance:
 - New Higher SEER and HSPF on MUZ - 09, 12, 15NA2 outdoor units.
 - 23.2– 22.7 – 21.6 SEER, 11.0 – 11.4 – 11.2 HSPF.
- Provides cooling and heating in a wide range of capacities.
- INVERTER-driven compressor with electronic LEV.
- Offers "wide vane" for a wider angle of airflow, 150° from left to right (on GE24 model).
- Ideal for applications in bedrooms, home offices, living rooms, dining rooms, basements, kitchens, offices, guard houses kiosks and more.

MSY/MUY-GE-NA2 Air Conditioners | 2,800–22,500 Btu/h Capacity Range:

- Upgraded performance:
 - New Higher SEER on MUY- 09, 12, 15NA2 outdoor units.
 - 23.2– 22.7 – 21.6 SEER.
- Increased cooling efficiency at popular capacities.
- INVERTER-driven compressor with electronic LEV.
- Offers "wide vane" for a wider angle of airflow, 150° from left to right (on GE24 model).
- Works in cooling applications in bedrooms, home offices, living rooms, dining rooms, basements, kitchens, offices, guard houses kiosks and more.
- Effective moisture removal provides significant humidity control.

PRODUCT GUIDE **MSY/Z-GE SERIES**

MSY-GENA (Cooling Only)**



Model Name	Indoor Unit		MSY-GE09NA-8	MSY-GE12NA-8	MSY-GE15NA-8	MSY-GE18NA-8	MSY-GE24NA			
	Outdoor Unit		MUY-GE09NA2	MUY-GE12NA2	MUY-GE15NA2	MUY-GE18NA-1	MUY-GE24NA			
Cooling *1	Rated Capacity	Btu/h	9,000	12,000	14,000	17,200	22,500			
	Capacity Range	Btu/h	3,800-12,200	3,800-13,600	3,100-18,200	3,700-18,700	8,200-31,400			
	Total Input	W	660 (205-1,200)	960 (205-1,300)	1,080 (160-2,000)	1,640 (240-2,070)	1,800 (570-3,580)			
	Energy Efficiency	SEER	23.2	22.7	21.6	19.2	19			
	Moisture Removal	Pints/h	1.5	2.5	2.7	4.6	5.1			
	Sensible Heat Factor		0.82	0.74	0.80	0.71	0.75			
Power Supply	Phase, Cycle, Voltage		1-phase, 60Hz, 208 / 230V *2							
Voltage	Indoor - Outdoor S1 - S2		AC 208 / 230V							
	Indoor - Outdoor S2 - S3		DC ±24V							
	Indoor - Remote Controller		Wireless Type (Optional Wired Controller: DC 12V)							
Indoor Unit	MCA	A	1.0							
	Blower Motor (ECM)	F.L.A.	0.76							
	Airflow at Cooling (Quiet-Lo-Med-Hi-Super Hi)*1	DRY (CFM)	145-170-237-321-399		205-272-335-420-533		230-275-339-420-533		388-469-628-738	
		WET (CFM)	109-134-201-286-364		170-237-300-385-498		194-240-304-385-498		347-420-562-661	
	Sound Pressure Level at Cooling (Quiet-Lo-Med-Hi-Super Hi)*1	dB(A)	19-22-30-37-43	19-22-30-37-45	26-32-38-44-49	28-33-38-44-49	34-41-49-53			
	External Finish Color		Munsell No. 1.0Y 9.2 / 0.2							
	Dimension Unit	W: In.	31-7/16					43-5/16		
		D: In.	9-1/8					9-3/8		
		H: In.	11-5/8					12-13/16		
	Weight Unit	Lbs.	22					37		
Field Drainpipe Size O.D.	In.	5/8								
Remote Controller	Type		Select from MHK1 (Preferred), PAR-31MAA, or PAC-YT53CRAU Remote Controllers							
Outdoor Unit	MCA	A	12		14		17.1			
	MOCP	A	15				20			
	Fan Motor (ECM)	F.L.A.	0.50		0.93					
	Compressor	Model (Type)	DC INVERTER-driven			DC INVERTER-driven Twin Rotary				
		R.L.A.	4.9		6.8		10.0		12.9	
		L.R.A.	6.1		8.5		12.5		16.1	
	Airflow (Cooling)	CFM	1,151	1,229	1,243	1,730	1,769			
	Refrigerant Control		Linear Expansion Valve							
	Sound Pressure Level at Cooling *1	dB(A)	46	49		54		55		
	External Finish Color		Munsell No. 3Y 7.8 / 1.1							
	Dimensions	W: In.	31-1/2			33-1/16				
		D: In.	11-1/4			13			13	
H: In.		21-5/8			33-7/16		34-5/8			
Weight	Lbs.	66	77	80	119					
Refrigerant	Type	R410A								
	Charge	Lbs., Oz.	1, 12	2, 9		3, 7	4, 3			
Refrigerant Pipe	Oil	Type (fl. oz.)	NEO22 (10.8)			NEO22 (15.2)		FV50S (13.52)		
	Gas Side O.D.	In.	3/8		1/2		5/8			
Refrigerant Pipe Length	Liquid Side O.D.	In.	1/4		1/4		3/8			
	Height Difference (Max.)	Ft.	40			50				
Connection Method	Length (Max.)	Ft.	65			100				
	Indoor/Outdoor	Flared/Flared								

NOTES: Test conditions are based on AHRI 210/240.

*1. Rating conditions (cooling) - Indoor D.B. 80° F (27° C), W.B. 67° F (19° C); Outdoor: D.B. 95° F (35° C), W.B. 75° F (24° C).

*2. Indoor units receive power from outdoor units through field-supplied interconnected wiring.

Specifications are subject to change without notice.

\$ = Federal Tax Credit

LIMITED WARRANTY | Seven-year warranty on compressor. Five-year warranty on parts.

PRODUCT GUIDE **MSY/Z-GE SERIES**

MSZ-GENA (Heat Pump)**



Model Name	Indoor Unit		MSZ-GE09NA-8	MSZ-GE12NA-8	MSZ-GE15NA-8	MSZ-GE18NA-8	MSZ-GE24NA
	Outdoor Unit		MUZ-GE09NA2	MUZ-GE12NA2	MUZ-GE15NA2	MUZ-GE18NA-1	MUZ-GE24NA
Cooling *1	Rated Capacity	Btu/h	9,000	12,000	14,000	17,200	22,500
	Capacity Range	Btu/h	3,800-12,200	3,800-13,600	3,100-18,200	3,700-18,700	8,200-31,400
	Total Input	W	660 (205-1,200)	960 (205-1,300)	1,080 (160-2,000)	1,640 (240-2,070)	1,800 (570-3,580)
	Energy Efficiency	SEER	23.2	22.7	21.6	19.2	19.0
	Moisture Removal	Pints/h	1.5	2.5	2.7	4.6	5.1
	Sensible Heat Factor		0.82	0.74	0.80	0.71	0.75
Heating at 47° F *2	Rated Capacity	Btu/h	10,900	14,400	18,000	21,600	27,600
	Capacity Range	Btu/h	4,500-14,100	5,500-18,100	4,800-20,900	3,500-25,200	7,500-36,900
	Total Input	W	760 (255-1,200)	1,170 (340-1,660)	1,600 (270-2,010)	1,900 (230-2,680)	2,340 (520-3,650)
	HSPF (Region IV)	Btu/h/W	10.1	10.8	11.2	10	
Heating at 17° F *3	Rated Capacity	Btu/h	6,600	8,800	11,300	13,400	16,000
	Rated Total Input	W	700	900	1,150	1,450	1,770
	Maximum Capacity	Btu/h	8,700	11,200	15,900	17,200	24,600
Heating at 5° F	Maximum Capacity	Btu/h	7,061	9,194	13,022	13,562	21,160
Power Supply	Phase, Cycle, Voltage		1 Phase, 60Hz, 208/230V *4				
Voltage	Indoor - Outdoor S1-S2		AC 208 / 230V				
	Indoor - Outdoor S2-S3		DC ±24V				
	Indoor - Remote Controller		Wireless Type (Optional Wired Controller: DC12V)				
Indoor Unit	MCA	A	1.0				
	Blower Motor (ECM)	F.L.A.	0.76				
	Airflow at Cooling (Lo-Med-Hi-Super HI-Powerful) *1	DRY (CFM)	145-170-237-321-399	145-170-237-321-399	205-272-335-420-533	230-275-339-420-533	388-469-628-738
		WET (CFM)	109-134-201-286-364	109-134-201-286-364	170-237-300-385-498	194-240-304-385-498	347-420-562-661
	Airflow at Heating (Lo-Med-Hi-SuperHI-Powerful) *2	DRY (CFM)	145-170-237-321-406	145-170-237-321-406	205-247-304-367-463	230-275-339-431-512	388-469-628-738
	Sound Pressure Level (Cooling) (Lo-Med-Hi-Super HI-Powerful) *1	dB(A)	19-22-30-37-43	19-22-30-37-45	26-32-38-44-49	28-33-38-44-49	34-41-49-53
	Sound Pressure Level (Heating) (Lo-Med-Hi-Super HI-Powerful) *2		19-22-30-37-43	19-22-30-37-43	26-30-35-40-46	28-33-38-44-49	32-41-49-52
	External Finish Color		Munsell No. 1.0Y 9.2/0.2				
	Dimension Unit	W. In.	31-7/16		31-7/16	31-7/16	43-5/16
		D. In.	9-1/8		9-1/8	9-1/8	9-3/8
		H. In.	11-5/8		11-5/8		12-13/16
	Weight Unit	Lbs.	22		22		37
Field Drainpipe Size O.D.	In.	5/8					
Remote Controller	Type		Select from MHK1 (Preferred), PAR-31MAA, or PAC-YT53CRAU Remote Controllers				
	MCA	A	12	12	14	17.1	
MOC	A	15	15	15	20		
Fan Motor (ECM)	F.L.A.	0.50	0.50	0.50	0.93		
Outdoor Unit	Compressor		DC INVERTER-driven Twin Rotary				
	R.L.A.		6.6	7.4	10.0	12.9	
		L.R.A.	8.2	9.3	12.5	16.1	
	Airflow	CFM	1,151 / 1,225	1,229 / 1,172	1,243 / 1,229	1,730 / 1,659	1,769 / 1,701
	Refrigerant Control		Linear Expansion Valve				
	Defrost Method		Reverse Cycle				
Sound Pressure Level at Cooling *1	dB(A)	46	49	49	54	55	
Sound Pressure Level at Heating *2	dB(A)	50	51	51	56	55	
External Finish Color		Munsell No. 3Y 7.8/1.1					
Dimensions	W. In.	31-1/2		31-1/2	33-1/16		
	D. In.	11-1/4		11-1/4	13		
	H. In.	21-5/8		21-5/8	33-7/16	34-5/8	
Weight	Lbs.	66	77	80	119		
Refrigerant	Type		R410A				
	Charge	Lbs., Oz.	1, 12	2, 9	2, 9	3, 7	4, 3
Refrigerant Pipe	Oil		NE022 (10.8)		NE022 (15.2)		FV50S (13.5)
	Gas Side O.D.	In.	3/8		1/2		5/8
	Liquid Side O.D.	In.	1/4		1/4		3/8
	Height Difference (Max.)	Ft.	40		40		50
Length (Max.)	Ft.	65		65		100	
Connection Method	Indoor/Outdoor		Flared/Flared				

NOTES: Test conditions are based on AHRI 210/240.

*1. Rating conditions (cooling) - Indoor D.B. 80° F (27° C), W.B. 67° F (19° C); Outdoor: D.B. 95° F (35° C), W.B. 75° F (24° C).

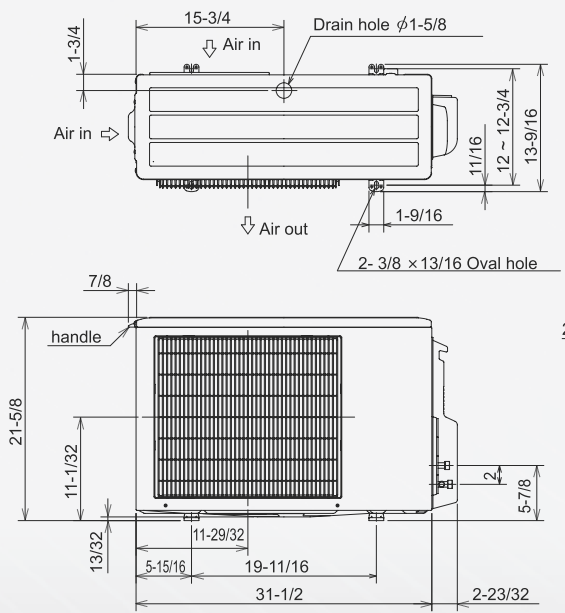
*2. Indoor units receive power from outdoor units through field-supplied interconnected wiring. Specifications are subject to change without notice.

\$ = Federal Tax Credit

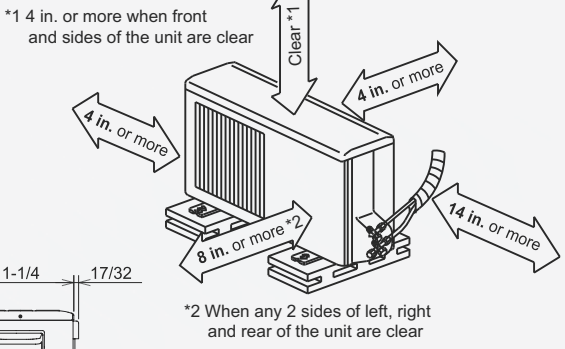
LIMITED WARRANTY | Seven-year warranty on compressor. Five-year warranty on parts.

PRODUCT GUIDE MSY/Z-GE SERIES

MUZ/Y-GE09,12,15NA2 OUTLINES AND DIMENSIONS



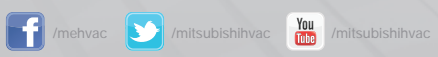
REQUIRED SPACE



Liquid pipe	: 1/4 (flared)
Gas pipe	: 3/8 (flared) (GE09/12)
	: 1/2 (flared) (GE15)

The outlines and dimensions for the MUZ/Y-GE18, 24 are unchanged, refer to submittals for more information.

Mitsubishi Electric Cooling & Heating
 1340 Satellite Boulevard, Suwanee, GA 30024
 Phone: 800-433-4822 Fax: 800-889-9904



Mitsubishi Electric and the three diamond logo are registered trademarks of Mitsubishi Electric Corporation. See complete warranty for terms, conditions and limitations.

Use of the AHRI Certified™ mark indicates a manufacturer's participation in the certification program. For verification of certification for individual products, go to www.ahridirectory.org.

A copy is available from Mitsubishi Electric.

PLG_MSZYGE_03.14_OA

For more information visit www.mehvac.com | Printed In The U.S.A



Please Recycle