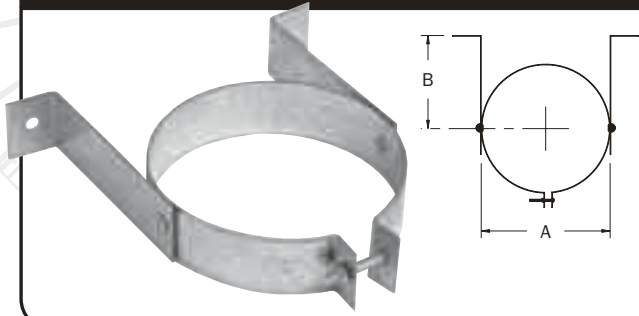


**TYPE - B GAS VENT - ROUND FITTINGS**

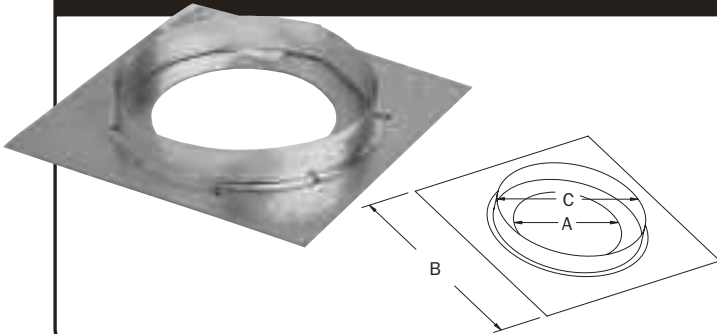
**HANGER/WALL BAND – MH**



CAT. NO.	SIZE	A	B
3MH	3"	3.625"	3.218"
4MH	4"	4.625"	3.718"
5MH	5"	5.625"	4.218"
6MH	6"	6.625"	4.718"

7MWB and 8MWB still available - see price sheet.

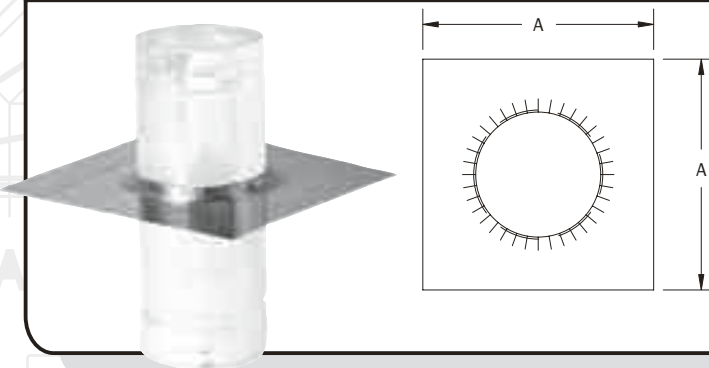
**FIRESTOP – MFS**



CAT. NO.	SIZE	A	B	C
3MFS	3"	3.563"	8.5"	5.5"
4MFS	4"	4.563"	8.5"	6.5"
5MFS	5"	5.563"	10.5"	7.5"
6MFS	6"	6.563"	10.5"	8.5"
7MFS	7"	8.063"	13.0"	10.0"
8MFS	8"	9.063"	13.0"	11.0"

Space ring attached to plate ensures 1" clearance to combustible.

**SUREGRIP™ VENT SUPPORT PLATE - MVSP**

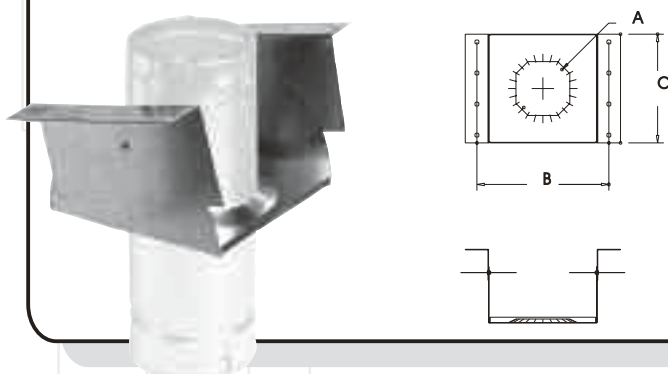


CAT. NO.	SIZE	A
2MVSP	2"	7"
3MVSP	3"	8"
4MVSP	4"	10"
5MVSP	5"	11"
6MVSP	6"	12"
7MVSP	7"	13"
8MVSP	8"	14"

The fastest, easiest way to support B-Vent where it penetrates floors and ceilings.

NOTE: Pipe not included.

**SUREGRIP™ VENT SUPPORT PLATE ADJUSTABLE - MVSPA**



CAT. NO.	SIZE	A	B	C
3MVSPA	3"	3.475"	7.500"	6.000"
4MVSPA	4"	4.475"	8.500"	7.000"
5MVSPA	5"	5.448"	9.500"	8.000"
6MVSPA	6"	6.448"	10.500"	9.000"

NOTE: Pipe not included.