

Owners Manual



Quantum™ 1.6
QuantumOne™ 1.0



Prestigio 4™

Mansfield® Prestigio 4™ Quantum™ QuantumOne™

Equipped with
FLUSHMATE® 503 Series/504 Series
Pressure-Assist System

For optimum performance, the recommended minimum static pressure is 25 psi for the Quantum™ fixtures and 35 psi for the QuantumOne™ fixtures and Prestigio 4™.

IMPORTANT

DO NOT RETURN TO STORE
WHERE PURCHASED.

See Page 2 for INSTALLATION INSTRUCTIONS or
Page 4 for TROUBLESHOOTING.

Congratulations on your new Mansfield®
Prestigio 4, Quantum or QuantumOne toilet.
Please read this owner's manual first. If you still
need help within the warranty period, call
1-800-533-3460 and have your Serial Number
and Date of Installation available.

mansfield

INSTALLATION INSTRUCTIONS

mansfield

**Prestigio 4" Pressure-Assist
1.0 Gpf (3.8 Lpf) One Piece Toilet**
**Quantum™ Pressure-Assist
1.6 Gpf (6.0 Lpf) Two Piece Toilet**
**QuantumOne™ Pressure-Assist
1.0 Gpf (3.8 Lpf) Two Piece Toilet**

NOTE: Installation Instructions apply to both models unless indicated

REMOVING OLD TOILET

- 1 Turn off the water supply, then flush to empty tank. Use a sponge and basin to pick up any water left in the tank or bowl.
- 2 Disconnect the supply line from the toilet tank.
- 3 Disassemble tank from bowl by removing lock nuts from the underside of the tank.
- 4 Pry off the bolt caps, remove nuts that secure the toilet to the floor. Use a rocking motion to remove the old toilet.
- 5 Scrape the old wax gasket from the floor flange.

ATTACHING TOILET BOWL TO FLOOR FLANGE



- 1 Ensure flange is level and flat with finished floor.
- 2 The floor flange must be properly installed. It must be the correct distance from the wall. It must be flush with the surface of the floor.
- 3 The correct distance, measured from the wall to the centerline of the floor flange should be 12" (30.5 cm).
- 4 The top surface of the floor flange must be flush and level with the surface of the finished floor. Check the distance and the level with a straight edge ruler.

SETTING THE BOWL

- 1 Clean any debris out of the flange.
- 2 Install the mounting bolts into the side slots of the floor flange. The bolts should be inserted into the slots, bolt heads down, threaded shank pointing upward.
- 3 Remove the toilet bowl from the carton. Sit the bowl upright on the floor, away from the floor flange.
- 4 Put the wax seal ring in place, centered on top of the floor flange. Push the wax ring down into place (the mounting bolts will protrude upward at the side of the ring).

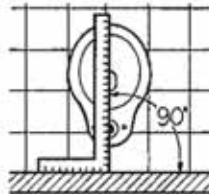


- 5 Alternate way is to place wax ring on the "Horn" of the bowl (bowl shown upside down).
- 6 Straddle the toilet bowl, lift it and carry it over the flange. Lower it straight down onto the wax seal ring. Make sure the bolts emerge up through the holes in the base of the toilet bowl.



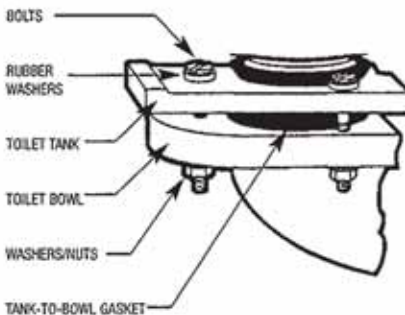
Note: For a one-piece unit, it is recommended that two people lift the bowl and place it on flange.

- 7 Push down all around bowl to seal onto wax ring.
- 8 Apply your weight to push the toilet bowl onto the wax seal ring. Press down evenly, all the way around the bowl rim.
- 9 Make sure the toilet bowl is aligned perpendicular to the wall with a carpenter's square. Adjust alignment if necessary.
- 10 Install the bolt cover, retainers, washers and nuts. Tighten finger tight, then use a wrench to snug the nuts. **DO NOT OVERTIGHTEN** with the wrench—damage or fracturing of the base of the toilet may occur.

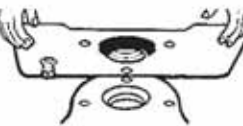


ATTACHING THE VITREOUS CHINA TOILET TANK TO THE TOILET BOWL FOR TWO PIECE MODELS

(Does not apply to a one-piece toilet)

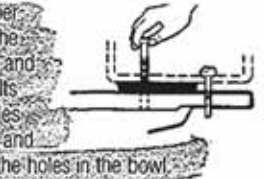


- 1 Place the tank-to-bowl rubber gasket onto the locknut on the flush valve shank against the bottom of the tank. (Be sure the locknut is tight).
- 2 Place the tank in position on the bowl. Be sure to align holes in the bottom of the tank with the holes in the bowl.



REMOVE STEP THREE

- 3 Screw the rubber washers onto the mounting bolts and insert these bolts through the holes inside the tank and down through the holes in the bowl.
- 4 Assemble the washers and nuts in pairs and screw onto bolts protruding from the underside of toilet bowl ledge.
- 5 Tighten all the nuts finger tight. Carefully tighten them with a wrench to make leak proof seal. **DO NOT OVERTIGHTEN** with the wrench—damage or fracturing of the toilet may occur.
- 6 Align tank with floor or wall by tightening or loosening one or the other of the front bolts. You can tilt tank forward or backward by adjusting back bolt. After aligning tank, check to be sure all three nuts are tight.
- 7 After the toilet tank is attached to the toilet bowl, check the floor flange nuts for tightness. The additional weight of the tank has added to the assembled toilet and may require careful tightening of the floor flange nuts.
- 8 Snap the bolt cap covers onto the retainers to finish the job.



CARE AND MAINTENANCE

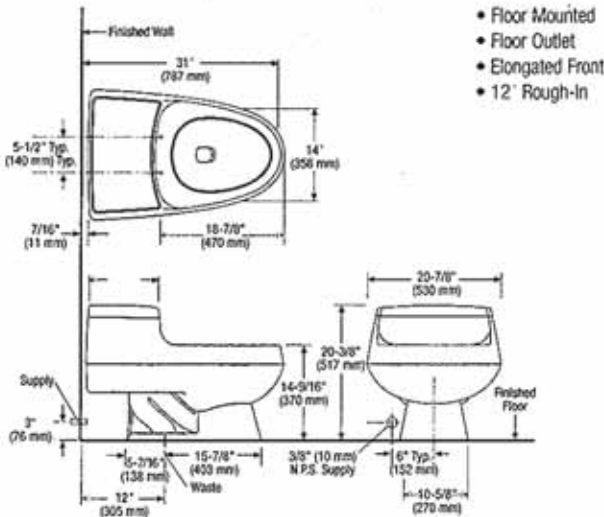
The outside surface of your china fixture can be cleaned with mild soap and warm water using a soft cloth or sponge. Do not use an abrasive cleaner or solvent of any kind. A toilet bowl cleaner can be used to clean the surfaces of the toilet bowl.

WARNING: Do not use an in-tank type bowl cleaner in your toilet. In-tank cleansers containing chlorine (calcium hypochlorite) can seriously damage fittings in the tank. Mansfield Plumbing will not be responsible for any tank fitting damage caused by the use of cleaners containing chlorine (calcium hypochlorite).

WINTERIZING TIP

If you choose to "winterize" the bowl, first follow the winterizing instructions for the pressure vessel found in the "Owner's Service Manual—503 and 504." If not found, go to www.flushmate.com under document library/service manuals. After the pressure vessel has been winterized, slowly induce 3 quarts of anti-freeze to the bowl (be careful not to cause the bowl to flush). Be sure to reconnect all the fittings when putting the toilet back in service.

PRESTIGIO 4™ ONE-PIECE, LOW-PROFILE, ELONGATED, HIGH-EFFICIENCY TOILET WITH FLUSHMATE® INSIDE



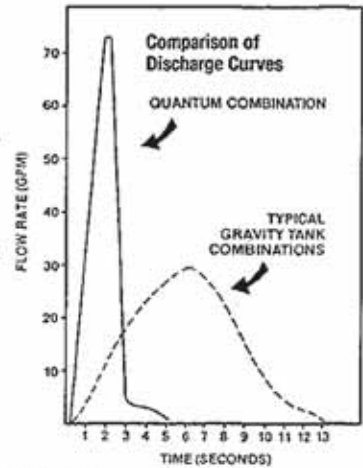
- Floor Mounted
- Floor Outlet
- Elongated Front
- 12" Rough-In

NOTE: Install this product according to the installation guide. Fixture dimensions are nominal and conform to tolerances in ASME Standard A112.19.2

FACTS, FEATURES AND BENEFITS

IT FLUSHES BETTER, NATURALLY!

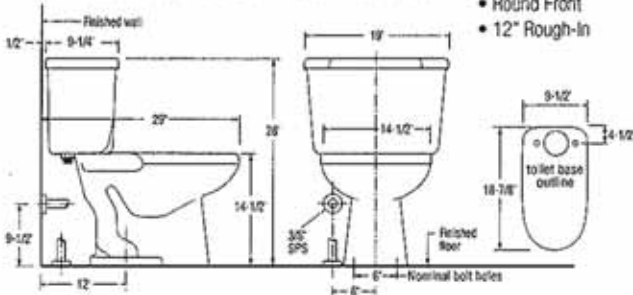
- 1 The Quantum toilet uses less than 1.6 Gpf (6.0 Lpf) and the Prestigio 4 and QuantumOne toilets use less than 1.0 Gpf (3.8 Lpf) of water to flush efficiently
- 2 It achieves siphon (the principle necessary to extract waste from a toilet) in approximately one second
- 3 The Jet Thrust™ action puts approximately 75 gpm of water to work effectively, so that flushing is virtually completed in six seconds
- 4 The recovery is comparable to, or faster than, typical gravity-flush toilets
- 5 For optimum performance, the recommended minimum static pressure is 25 psi for the 503 Series and 35 psi for the 504 Series
- 6 Prestigio 4, Quantum and QuantumOne toilets harness the pressure of the incoming water, contain the air pressure that's developed, then when flushed, release the "built-up" water and air to effectively get more flush from less water
- 7 It has been tested thoroughly against ANSI/ASME Standards for toilet performance. Quantum using less than 1.6 gallons and Prestigio 4 and QuantumOne using only 1.0 gallon greatly surpass all compliance requirements written for toilets
- 8 Average toilet usage is approximately 3.8 gallons per person per day for domestic use. Hotel and motels can save approximately 4,500 gallons per room per year



TWO-PIECE TOILET WITH FLUSHMATE® PRESSURE-ASSIST SYSTEM ROUGH-INS

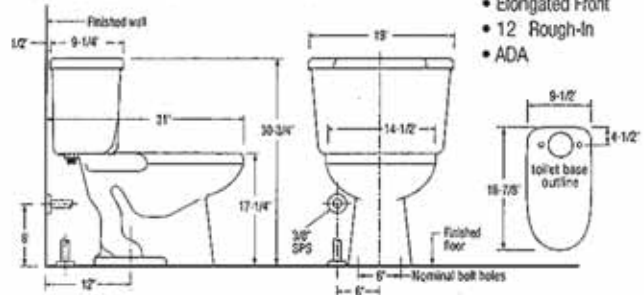
- 146-123 Quantum 1.6 Gallon Pressure-Assist Toilet
146-153 QuantumOne 1.0 Gallon Pressure-Assist Toilet

- Floor Mounted
- Floor Outlet
- Round Front
- 12" Rough-In



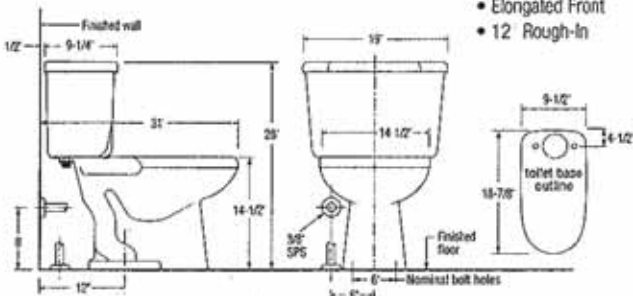
- 148-123 Quantum 1.6 Gallon Pressure-Assist Toilet
148-153 QuantumOne 1.0 Gallon Pressure-Assist Toilet

- Floor Mounted
- Floor Outlet
- Elongated Front
- 12" Rough-In
- ADA



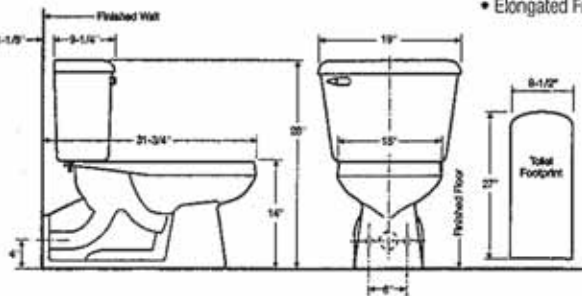
- 147-123 Quantum 1.6 Gallon Pressure-Assist Toilet
147-153 QuantumOne 1.0 Gallon Pressure-Assist Toilet

- Floor Mounted
- Floor Outlet
- Elongated Front
- 12" Rough-In



- 149-123 Quantum 1.6 Gallon Pressure-Assist Toilet
149-153 QuantumOne 1.0 Gallon Pressure-Assist Toilet

- Floor Mounted
- Back Outlet
- Elongated Front



Note: Push Button and right/left handle available on all models
* Also available in 10" and 14" rough in

PLEASE READ THE ENTIRE MANUAL BEFORE ATTEMPTING TO MAKE ANY ADJUSTMENTS OR REPAIRS.

WARNING:

- When replacing components on the **FLUSHMATE®** Flushometer-Tank System, make certain that the water supply valve is turned off and the toilet has been flushed to relieve pressure in the **FLUSHMATE®** tank.
- **USE OF PETROLEUM-BASED LUBRICANTS OR CORROSIVE CLEANING PRODUCTS CONTAINING**

CHLORINE, SUCH AS HOUSEHOLD BLEACH, DROP-IN BLOCKS OR TABLETS, OR DISINFECTANTS, THAT ARE APPLIED INSIDE THE CHINA HOLDING TANK WILL VOID YOUR FLUSHMATE® WARRANTY.

- **FLUSHMATE®** Flushometer-Tank Systems are designed to be used with a cold water supply only and use of a tempered or hot water supply will void your warranty.

TROUBLESHOOTING



Figure 1



Figure 2



Figure 3



Figure 4



Figure 5

Condition: Water runs and will not shut off

A run-on condition may be caused by insufficient water pressure, an improperly adjusted Flush-Valve Cartridge, or a clogged inlet-screen. Refer to "Installation Requirements" for recommended minimum pressure. (See "Points to Remember" for a simple method to determine whether your water pressure is adequate) If sufficient water pressure has been verified and the toilet continues to run-on, the following steps may be required:

1. Make sure the water supply valve is fully open.
2. Check the actuator adjustment. The Flushrod (I) or pushbutton (See page 5, Flush Actuator Adjustment) should not interfere with the actuator. The proper clearance should be approximately 1/16" when the pushbutton or flush-handle is stationary. On push-button type fixtures, loosen the set-screw on the actuator (see F on the component list) and rotate the actuator up (counter clockwise) or down (clockwise) until the proper clearance is obtained. For flush-handle fixtures, observe the clearance (See Fig 1) If necessary, adjust the actuator to allow for proper clearance. When proper clearance is obtained, tighten the setscrew.
3. Remove, examine, and reinstall the Flush-Valve Cartridge (3)
 - a. Turn off the water supply valve and flush the toilet to relieve the pressure.
 - b. Remove the Flush-Valve Cartridge using the handles of a pair of pliers (See Fig 2) Turn the Flush-Valve Cartridge counter-clockwise until you can lift it out of the **FLUSHMATE®** tank. On flush-handle fixtures, disengage the Flushrod from the handle-linkage and flip it away from the Flush-Valve Cartridge. It is not necessary to loosen the retainer clips (See Fig 3)
 - c. Examine the exposed O-rings on the Flush-Valve Cartridge for obstruction or damage. If the O-rings are damaged the Flush-Valve Cartridge should be replaced (See Fig 4)
 - d. Insert the Flush-Valve Cartridge into the **FLUSHMATE®** tank and thread it clockwise into place until one (1) black thread (on the **FLUSHMATE®** tank) is showing above the Flush-Valve Cartridge (See Fig 5) Fully open the water supply valve and continue to thread the Flush-Valve Cartridge clockwise, 1/4 turn at a time pausing briefly between each 1/4 turn, until the water stops running into the toilet bowl and the **FLUSHMATE®** tank pressurizes.
 - e. Reinstall Flushrod and handle-linkage
4. Check Inlet Screen
 - a. Turn off the water supply valve
 - b. Flush the toilet to relieve the pressure.
 - c. Disconnect the water supply line from the Supply Shank (A) (See Fig 6)
 - d. Examine the inlet-screen and remove anything that may be blocking the flow of water into the **FLUSHMATE®** tank. The inlet-screen can be removed by inserting a small pointed object (such as a large paperclip or the blade of a pen-knife) into the Lower Supply Shank and working the inlet-screen loose (See Figs 7a, 7b, 7c) The inlet-screen easily snaps back into position by pushing it upward into the Supply Shank with your fingertip (See Fig 7d)
 - e. Reattach water supply line and fully open water supply valve



Figure 6



Figure 7a



Figure 7b



Figure 7c



Figure 7d

See parts keyed above to components on page 7

TROUBLESHOOTING (continued)



Figure 8



Figure 9



Figure 10



Figure 11



Figure 12

Condition: Weak, incomplete, sluggish, or no flush

Inadequate water pressure, an improperly adjusted Flush-Valve Cartridge, a clogged inlet-screen, or insufficient air-draw may cause a weak, sluggish, or no flush condition

1. Make sure that the water supply valve is fully open
2. Check for proper installation/adjustment of the Flush-Valve Cartridge (See Step 3, "Water Runs and Will Not Shut Off")
3. Turn off the water supply valve
4. Flush the toilet to relieve the pressure
5. Disconnect the water supply line from the Supply Shank (A) (See Fig. 6)
 - a. Examine the inlet-screen and remove anything that may be blocking the flow of water into the FLUSHMATE™ tank. The inlet-screen can be removed by inserting a pointed object (such as a large paperclip or the blade of a pen-knife) into the lower-supply shank and working the inlet-screen loose (See Figs. 7a, 7b, 7c). The inlet-screen easily snaps back into position by pushing it upward into the Supply Shank with your fingertip (See Fig. 7d).
6. Examine the Air Inducer (D) for obstruction or damage. (See Fig. 8)
 - a. Make sure the water supply valve is turned off and the toilet has been flushed to relieve the pressure.
 - b. Remove the Air Inducer Cap. (See Fig. 9)
 - c. Remove the Duck-bill Valve from the Air Inducer Cap (See Fig. 10). The flat "lips" of the Duck-bill Valve should open fully when the square sides are squeezed together (See Fig. 11). Rinse any obstruction or mineral deposits from the Duck-bill Valve. If the Duck-bill Valve is damaged, it must be replaced.
 - d. Insert the Duck-bill Valve into the Air Inducer Housing (See Fig. 12)
 - e. Put the Air Inducer Cap back on and tighten finger-tight only (See Fig. 13)
 - f. Reconnect the water supply line and fully open water supply valve
7. Check Air Inducer for sufficient air-draw. Place a small amount of water (two to three drops) over the hole on top of the Air Inducer Cap (See Fig. 14) and flush the toilet. If the Air Inducer is working properly, the water will be drawn in (See Fig. 15)
8. Check the Flush-Valve Cartridge for leaks. Pour a small amount of water into the Cartridge Housing area (See Fig. 16). If bubbles are coming from the center or the edge of the Flush-Valve Cartridge, it should be replaced.



Figure 13



Figure 14



Figure 15



Figure 16

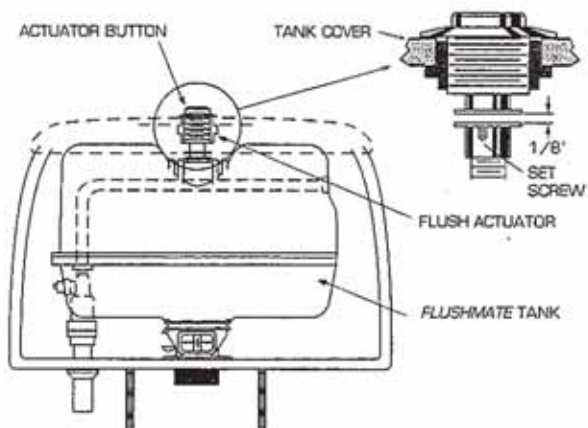
Condition: Vacuum Breaker Leaking

If the Vacuum Breaker (E) is leaking, it is likely that the water pressure is insufficient or that there is insufficient flow due to a plugged inlet-screen in the Lower Supply Shank. As required by the fixture manufacturer, the pressure range is 25 to 125 psi for the 503 series and 35 to 125 for the Series 504.

Flush Actuator Adjustment (Tank 122)

NOTE: The tank is factory-adjusted for consistent, safe seal depth in the bowl after flushing. Field readjustment is not required. The refill is preset and locked.

1. Flush actuator height may be adjusted to assure positive operation of the actuator button.
2. Be sure tank cover is in place.
3. Lightly press actuator button down until resistance is felt when contact is made with the top of the flush actuator. Travel should be approximately 1/8" (3 mm) for normal operation.
4. When necessary remove cover, loosen setscrew in actuator cap and turn cap to increase gap (clockwise) or decrease gap (counterclockwise).
5. Tighten setscrew securely after adjustment. Replace tank cover and recheck.



POINTS TO REMEMBER

- When replacing components on the **FLUSHMATE**® Flushometer-Tank System, make certain that the water supply valve is turned off and the toilet has been flushed to relieve pressure in the **FLUSHMATE**® tank
- **USE OF PETROLEUM-BASED LUBRICANTS OR CORROSIVE CLEANING PRODUCTS CONTAINING CHLORINE, SUCH AS HOUSEHOLD BLEACH, DROP-IN BLOCKS OR TABLETS, OR DISINFECTANTS THAT ARE APPLIED INSIDE THE CHINA HOLDING TANK WILL VOID YOUR FLUSHMATE® WARRANTY.**
- **FLUSHMATE**® Flushometer-Tank Systems are designed to be used with cold water
- The Flush-Valve Cartridge can be removed by inserting the handles of a pair of pliers into the top of the Flush-Valve Cartridge and turning counter-clockwise.
- A small amount of water may be present in the bottom of the china holding tank. The potential for odor can be eliminated by adding a cup of white vinegar to the china holding tank. The white vinegar will act as natural disinfectant
- Your water pressure is adequate if your water supply line will yield one or more gallons of water within thirty (30) seconds for Quantum fixtures and two gallons of water within thirty (30) seconds for QuantumOne fixtures
- Replacement parts are readily available by contacting Consumer Services at **800-533-3460** or by visiting the "Where to Buy" section of our website, www.flushmate.com

If you would like additional information or require technical assistance, please contact **FLUSHMATE**® Consumer Services at **800-533-3460**, or visit our website, www.flushmate.com. For faster service, please be prepared to provide the serial number and date of installation of your **FLUSHMATE**® system.

Note: If the trouble-shooting steps listed in this manual do not resolve your problem, contact **FLUSHMATE**® Consumer Services at **800-533-3460** or email info@flushmate.com. Please be prepared to provide the serial number and date of installation of your **FLUSHMATE**® system

MANUFACTURER'S LIMITED LIFETIME WARRANTY

All Vitreous China Products

PLEASE READ CAREFULLY AND RETAIN FOR YOUR RECORDS.

Mansfield Plumbing Products LLC warrants this china product, excluding plumbing fittings, toilet tank trim products – flush valve, ball cock and trip lever, see specific warranty exclusions outlined below for these products to be free from defects in material or workmanship for the lifetime of this product to the purchaser starting from the date of purchase. **Mansfield Plumbing Products LLC** promises to provide a replacement china part for any china part of this product that proves, upon our inspection and from the date of purchase, to be defective in material or workmanship. All labor for de-installation and re-installation and transportation costs or charges incidental to warranty service are to be borne by the owner. **Mansfield Plumbing Products LLC** provides no warranties, written or oral, beyond those contained on the face hereof.

EXCLUSIONS:

In no event shall **Mansfield Plumbing Products LLC** be liable for incidental or consequential damages, for damages resulting from improper installation or for damages caused by handling, neglect, abuse or alteration. All implied warranties, including any warranty of fitness for any particular purpose of merchantability, or those that might arise from a course of dealing with the purchaser or usages of trade are hereby disclaimed or excluded. **Mansfield Plumbing Products LLC** warrants its toilet tank trim: ball cock, flush valve and trip lever and plumbing fittings products to be free from defects in material or workmanship for a period of one year from the date of purchase and **Mansfield** promises to provide a replacement toilet tank trim product for any tank trim product and/or plumbing fitting product that proves, upon our inspection and within one (1) year from the date of purchase to be defective in material or workmanship. All labor for de-installation and re-installation and transportation costs or charges are to be borne by the owner. **Mansfield Plumbing Products LLC** shall not be responsible or liable for any failure or damage to its toilet tank trim, plumbing fittings or china products caused by the use of either chloramines or high concentration of chlorine, lime/iron sediments and/or other minerals not removed from public water during the treatment of public water supplies or caused by toilet tank type cleaners containing chlorine, calcium hypochlorite and/or other chemicals.

MANUFACTURER'S LIMITED ONE YEAR WARRANTY

TOILET TANK TRIM & FITTING PRODUCTS

PLEASE READ CAREFULLY AND RETAIN FOR YOUR RECORDS.

Mansfield Plumbing Products LLC warrants its plumbing fittings and toilet tank trim including: ball cock, flush valve and trip lever products to be free from defects in material or workmanship for a period of one (1) year from the date of purchase, and **Mansfield Plumbing Products LLC** promises to replace any of these products that proves, upon inspection and within one (1) year from the date of purchase to be defective in material or workmanship. All labor for de-installation and re-installation and transportation costs or charges incidental to warranty service are to be borne by the owner. **Mansfield Plumbing Products LLC** provides no warranties, written or oral, beyond those contained on the face herein.

EXCLUSIONS:

In no event shall **Mansfield Plumbing Products LLC** be liable for incidental or consequential damages for damages resulting from improper installation, or for damages caused by handling, neglect, abuse or alteration. **Mansfield Plumbing Products LLC** shall not be responsible or liable for any failure or damage to its plumbing fittings or toilet tank trim: ball cock, flush valve and/or trip valve lever products caused by the use of either chloramines or high concentration of chlorine, lime/iron sediments and/or other minerals not removed from public water during the treatment of public water supplies or caused by toilet tank type cleaners containing chlorine, calcium hypochlorite or other chemicals. All implied warranties, including any implied warranty of fitness for any particular purpose or merchantability, or those that might arise from a course of dealing with the purchaser or usages of trade, are hereby disclaimed and excluded.

NOTE: Some states do not allow limitations or an implied warranty, and some states do not allow exclusions or limitations regarding incidental or consequential damages, so the above limitations may not apply to you. This warranty gives you specific legal rights and you may have other rights which vary from state to state. No person is authorized to change, add to, or create any warranty or obligation other than that set forth herein.

To obtain warranty service or a copy of this product warranty, contact your local dealer and/or the contractor from whom you purchased this product.

©1994 (Revised 2/2001) **Mansfield Plumbing Products LLC**

Customer Assistance: 877-850-3060 E-mail: custserv@mansfieldplumbing.com



Limited Warranty Information

IMPORTANT

Keep proof of purchase information to validate warranty service. Retain this section for your records.

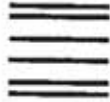
Model Name & Serial Number _____

Dealer/Store Name _____

Address _____

City _____ State _____ Zip _____

Congratulations on purchasing a Mansfield® china product. Register now to activate your warranty and customer service support



BUSINESS REPLY MAIL
FIRST-CLASS MAIL PERMIT NO. 1 PERRYSVILLE, OH

POSTAGE WILL BE PAID BY ADDRESSEE



150 E. First Street
Perryville, OH 44864

NO POSTAGE
NECESSARY
IF MAILED
IN THE
UNITED STATES



How long did you consider and plan this purchase?

- Less than 3 months
- 4-6 months
- 6-12 months
- 13-18 months
- More than 18 months

What items listed below influenced your decision to purchase this Mansfield product? (Check all that apply)

- Point of Purchase Display
- Previous experience with Mansfield
- Friend's/Relative's recommendation
- Showroom/Salesperson's recommendation
- Style/Appearance
- Product display/Demonstration
- Interior Designer's recommendation
- Mansfield brand reputation
- Internet/Website
- Magazine/Newspaper Article
- Quality/Durability
- Product Features
- Other _____

CUT HERE



What magazines/newspapers do you read regularly?

- Home and Garden
- Better Homes and Gardens
- Country Homes
- Southern Living/Home
- Sunset
- Texas Monthly
- Traditional Home
- O (Oprah Magazine)
- Women's Day
- Architectural Digest
- Other _____

Which features most attracted you to Mansfield china products?

- Features/Benefits
- Pricing
- Design/Style
- Quality
- Brand
- Performance
- Height/Size

PLEASE FOLD HERE, ENSURE THAT THE ADDRESS FACES UP



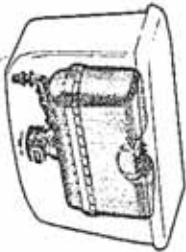
FOLD THIS PANEL IN



DO NOT STAPLE/USE TAPE TO SEAL



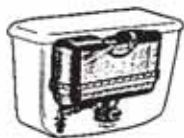
MANSFIELD PLUMBING
P. O. Box 620
Perrysville OH 44864-0620



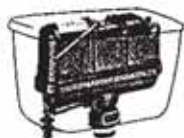
FLUSHMATE[®]
A Division of Sloan Valve Company
ISO 9001 Quality System Certified
30075 Research Drive
New Hudson, Michigan 48165 U.S.A.

PLACE
POSTAGE
HERE

LIST OF COMPONENTS FOR FLUSHMATE® 503/504 SERIES



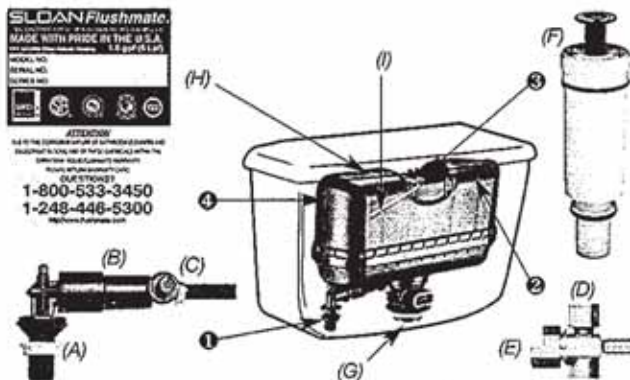
FLUSHMATE® 503
Function: Less than 1.6 Gpt/6.0 Lpf
Installation Requirements: min. 20 psi
static water pressure (max. 125 psi)



FLUSHMATE® 504
Function: Less than 1.0 Gpt/3.8 Lpf
Installation Requirements: min. 25 psi
static water pressure (max. 125 psi)



MADE WITH PRIDE IN THE U.S.A.
SLOAN VALVE COMPANY
1-800-533-3450
1-248-446-5300



The Sloan **FLUSHMATE®** Flushometer – Tank System provides the highest performance capability available today in the ULF (Ultra-Low Fixture) category. That means the system consumes less than 1.6 gallons (6 liters) of water per flush. This remarkable performance is achieved by using compressed air inside the tank, which creates a turbo-charged flushing action for effective bowl cleaning. Compared to other types of low consumption water closets, **FLUSHMATE®** offers many distinct advantages:

1. Lower Supply Group w/Hose BL100504-3

- (A) Supply Shank
- (B) Pressure Regulator w/Back Check
- (C) Relief Valve

2. Upper Supply Group BU100505

- (D) Air Inducer
- (E) Vacuum Breaker

3. Flush Valve Cartridge Assembly C-100500

- (F) Actuator w/setscrew

4. FLUSHMATE® Tank

- (G) Discharge Extension w/Drain
- (H) Name Plate w/Serial Number
- (I) Flush Rod

Additional Option – INTELLI-Flush™ battery-operated, automatic, touch-free flushing system with easy to install on-wall or in-wall sensor system. Retrofits existing **FLUSHMATE** models 501-B, 503 and 504. For more information, please visit www.flushmate.com or call 800-875-9116.



ATTENTION OWNER: THIS IS YOUR WARRANTY

Effective August 15, 2004, Sloan **FLUSHMATE®** (the "Company") warrants the **FLUSHMATE®** (flushometer tank) operating system (the "unit") to be free of defects in material and workmanship for a period of ten (10) years from the date of installation on original components and includes a lifetime limited warranty on the **FLUSHMATE®** tank. The Company promises to replace any part of this product that proves, upon our inspection and within ten (10) years from date of installation, to be defective in material or workmanship. All labor and transportation costs or charges incidental to warranty service are to be borne by the purchaser-user. This warranty is subject to the following:

Specific Conditions to Warranty

1. A warranty registration card has been fully completed and mailed by the purchaser (the "user") to the Company within thirty (30) days of the date of installation. Product may also be registered online at www.flushmate.com or by calling 800-533-3460.
2. The unit has been subject to proper installation, operation and maintenance as outlined in the installation instructions that were supplied with the unit. Note carefully that this warranty is voided if the unit is installed and operated subject to water supply line pressures greater than 125 psi (static) or less than 20 psi (static) for the Series 503 or less than 25 psi (static) for the Series 504.
3. Service and repairs may only be performed by authorized representatives of the Company or by others upon specific approval by the Company. Unauthorized repairs or alterations shall specifically void the warranty.
4. USE OF PETROLEUM-BASED LUBRICANTS OR CORROSIVE CLEANING PRODUCTS CONTAINING CHLORINE, SUCH AS HOUSEHOLD BLEACH, DROP-IN BLOCKS OR TABLETS OR DISINFECTANTS THAT ARE APPLIED INSIDE THE CHINA HOLDING TANK WILL VOID YOUR **FLUSHMATE®** WARRANTY.
5. Proof of purchase is required.
6. **FLUSHMATE®** systems manufactured prior to August 15, 2004 have a shorter warranty period based on the serial number. Call **FLUSHMATE®** to verify.

Exclusions

IN NO EVENT SHALL THE COMPANY BE LIABLE FOR INCIDENTAL OR CONSEQUENTIAL DAMAGES, FOR DAMAGES RESULTING FROM IMPROPER INSTALLATION, OR FOR DAMAGES CAUSED BY NEGLIGENCE, ABUSE OR ALTERATION. ALL IMPLIED WARRANTIES, INCLUDING ANY IMPLIED WARRANTY OF MERCHANTABILITY OR FITNESS FOR ANY PARTICULAR PURPOSE ARE LIMITED TO A PERIOD OF TEN (10) YEARS FROM DATE OF INSTALLATION.

Some states do not allow limitations on the duration of an implied warranty and some states do not allow exclusions or limitations regarding incidental or consequential damages so the above limitations may not apply to you. This warranty gives you specific legal rights and you may have other rights which vary from state to state.

No person is authorized to change, add to, or create any warranty or obligation other than that set forth herein.

To obtain warranty service, contact Consumer Services toll free (USA & CANADA) 1-800-533-3460 or write to us at:

FLUSHMATE®

A Division of Sloan Valve Company

ISO 9001 Quality System Certified

30075 Research Drive

New Hudson, Michigan 48165 U.S.A.

1-800-533-3460

1-248-446-5300

www.flushmate.com



FLUSHMATE®

A Division of Sloan Valve Company

Manufactured under one or more of the following U.S. patents: 3,817,279; 3,817,286; 3,817,489; 3,820,171; 3,820,754; 4,233,698; 5,802,628; 5,857,224; 6,029,287 and 6,029,288. Also covered by various foreign patents (country and number available upon request) and other patents pending.

WARRANTY REGISTRATION
Your **FLUSHMATE®** flushometer-tank comes with a 10-year limited warranty from date of installation. Please complete this warranty card, detach and mail within 30 days from date of installation. Please print clearly.

OWNER'S NAME _____ TELEPHONE (____) _____

OWNER'S ADDRESS _____ E-MAIL _____

CITY _____ STATE/ZIP _____ COUNTRY _____

NUMBER OF UNITS INSTALLED _____ DATE INSTALLED (REQUIRED) _____

FLUSHMATE® SERIAL NUMBER _____

FLUSHMATE® MODEL NUMBER _____

(Both numbers located on Sloan **FLUSHMATE®** label inside on top of the pressure tank)

MANSFIELD MODEL NAME: Prestigio 4 Quantum QuantumOne

Where did you purchase this toilet?
 Home Center
 Plumbing Store
 Distributor K&B
 Other

What sources did you use to select a new toilet?
 K&B Dealer
 Home Center
 Magazines
 Other

Which of the following best describes your situation?
 I bought a new toilet.
 Replaced **FLUSHMATE®** only.
 Replaced other pressure-assist brand:

This toilet was installed by:
 Plumber
 Owner
 Other

Cost \$ _____ Installation \$ _____



Thank you for purchasing a Mansfield® china product. To activate your warranty and help us serve you better, complete and return this registration card. Simply fill out the following questions and mail this card or fax it to 419-938-6234.

Male Female Married Single Age

First Name Initial Last Name

Mailing Address Apt. No./Suite No.

City State Zip Code

Home Phone w/Area Code

E-Mail Address

China Product Model Number

Serial Number

What china product did you purchase? Date of purchase

Where did you purchase this product? Price Paid \$

Tell us a little about yourself

Do you own or rent your home?

Own a House

Own a Townhouse/Condo

Rent a House

Rent an Apartment

How many Bathrooms are in your Home?

1

2

3

4 or more

How many people in your household?

1

2

3

4

5 or more

What are some of your personal interests? (Please check all that apply)

Reading

Investing

Health/Fitness

Internet/Computers

Gourmet Cooking

Gardening

Performing Arts/Theatre

Travel

Outdoor Activities

Where did you shop/purchase?

Retail Home Center

Contractor

Showroom

Where did you shop/purchase? (Please check all that apply)

Retail Home Center

Contractor

Showroom

Design Center

Plumbing Wholesaler

Internet

Retail Home Center

Contractor

Showroom

Design Center

Plumbing Wholesaler

Internet

Mansfield® Limited Lifetime Warranty

PLEASE READ CAREFULLY AND RETAIN FOR YOUR RECORDS. Mansfield Plumbing Products, LLC warrants china products, excluding plumbing fittings: toilet tank trim products - flush valve, ball cock and trip lever, see specific warranty exclusions outlined below for these products, to be free from defects in material or workmanship for the lifetime of this product to the purchaser starting from the date of purchase. Mansfield Plumbing Products, LLC promises to provide a replacement china part of any china part of this product that proves, upon our inspection and from the date of purchase, to be defective in material or workmanship. All labor for de-installation and re-installation and transportation costs or charges incidental to warranty service are to be borne by the owner. Mansfield Plumbing Products, LLC provides no warranties, written or oral, beyond those contained on the face hereof.

EXCLUSIONS: In no event shall Mansfield Plumbing Products, LLC be liable for incidental or consequential damages, for damages resulting from improper installation or for damages caused by handling, neglect, abuse or alteration. All implied warranties, including any warranty of fitness for any particular purpose of merchantability, or those that might arise from a course of dealing with the purchaser or users of trade, are hereby disclaimed or excluded. Mansfield Plumbing Products, LLC warrants its toilet tank trim: ballcock, flush valve and trip lever and plumbing fittings products to be free from defects in material or workmanship for a period of one year from the date of purchase and Mansfield promises to provide a replacement toilet tank trim product for any tank trim product and/or plumbing fitting product that proves, upon our inspection and within one (1) year from the date of purchase to be defective in material & workmanship. All labor for de-installation and re-installation and transportation costs or charges are to be borne by the owner. Mansfield Plumbing Products, LLC shall not be responsible or liable for any failure to damage to its toilet tank trim, plumbing fittings or china products caused by the use of either chloramines or high concentration of chlorine, lime/iron sediments and/or other minerals not removed from public water during the treatment of public water supplies or caused by toilet tank type cleaners containing chlorine, calcium hypochlorite and/or other chemicals.

NOTE: Some states do not allow limitations on an implied warranty, and some states do not allow exclusions or limitations regarding incidental or consequential damages, so the above limitations may not apply to you. This warranty gives you specific legal rights and you may have other rights which vary from state to state. No person is authorized to change, add to, or create any warranty or obligation other than set forth herein. This is our exclusive written warranty.

To obtain warranty service or a copy of this product warranty, contact your local dealer and/or the contractor from whom you purchased this product. ©1994 (Revised 4/2001) Mansfield Plumbing Products LLC. Phone: 877-850-3060 Fax: 419-938-6234

What is your highest level of Education achieved?

Some High School

High School Graduate

Vocational/Technical School

Some College

College Degree

Some Graduate School

Graduate School Degree

\$75,000 to \$99,000

\$100,000 and Over

Why did you purchase this Mansfield Product?

Remodeled Bathroom

Built New Home

Replacement for another brand

What best describes your primary occupation?

Professional/Technical

Upper Management/Executive

Middle Management

Sales/Marketing

Self Employed/Business Owner

Trade/Laborer

Retired

Other

What other brands did you consider when in the shopping process?

Kohler/Sterling

American Standard

Toto

Crane

Gerber

Vitra

Briggs

Universal Rundle

Bemis

Eiler

Other

What best describes your Household Income?

Under \$20,000

\$20,000 to \$29,999

\$30,000 to \$39,999

\$40,000 to \$49,999

\$50,000 to \$74,999