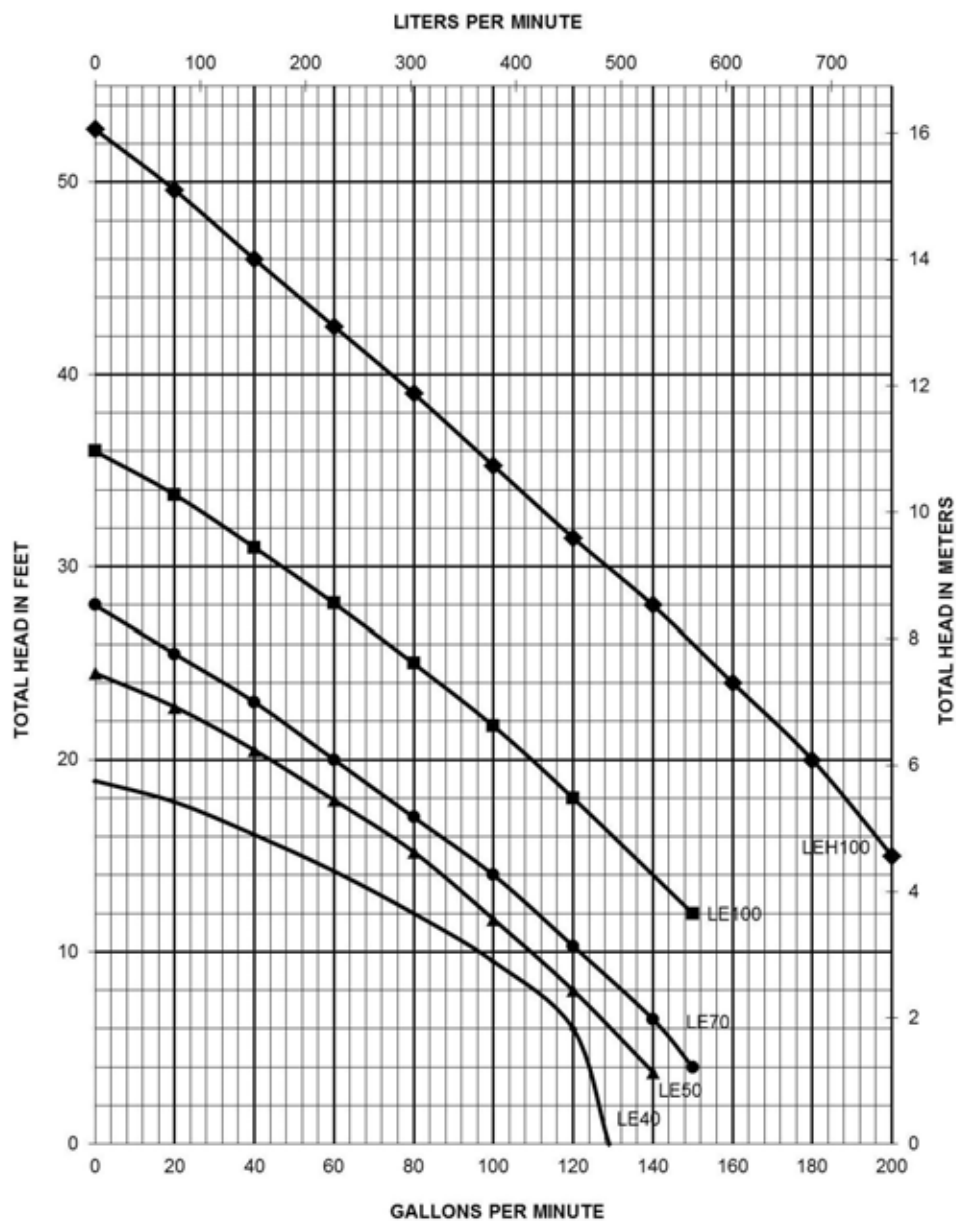


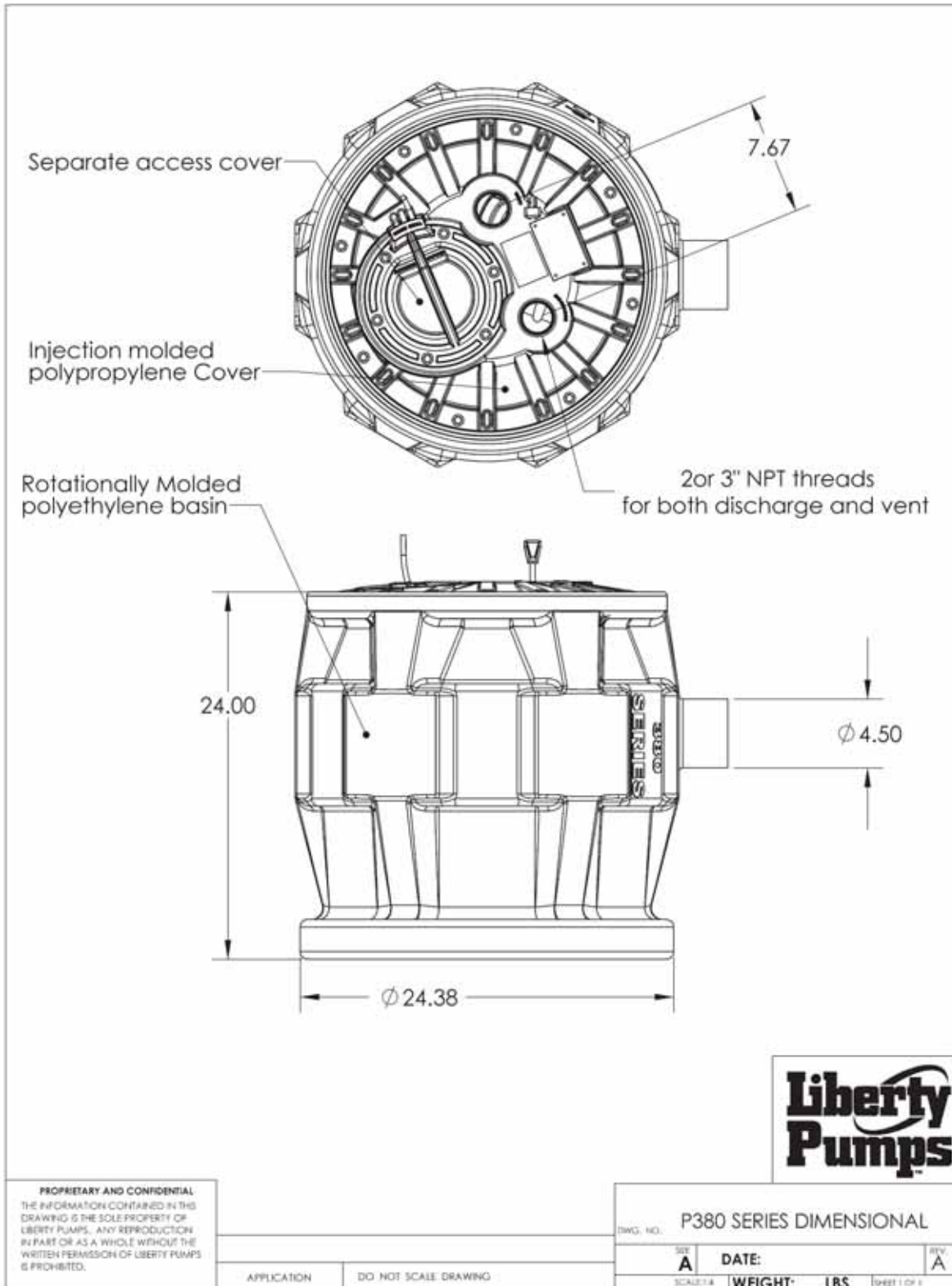


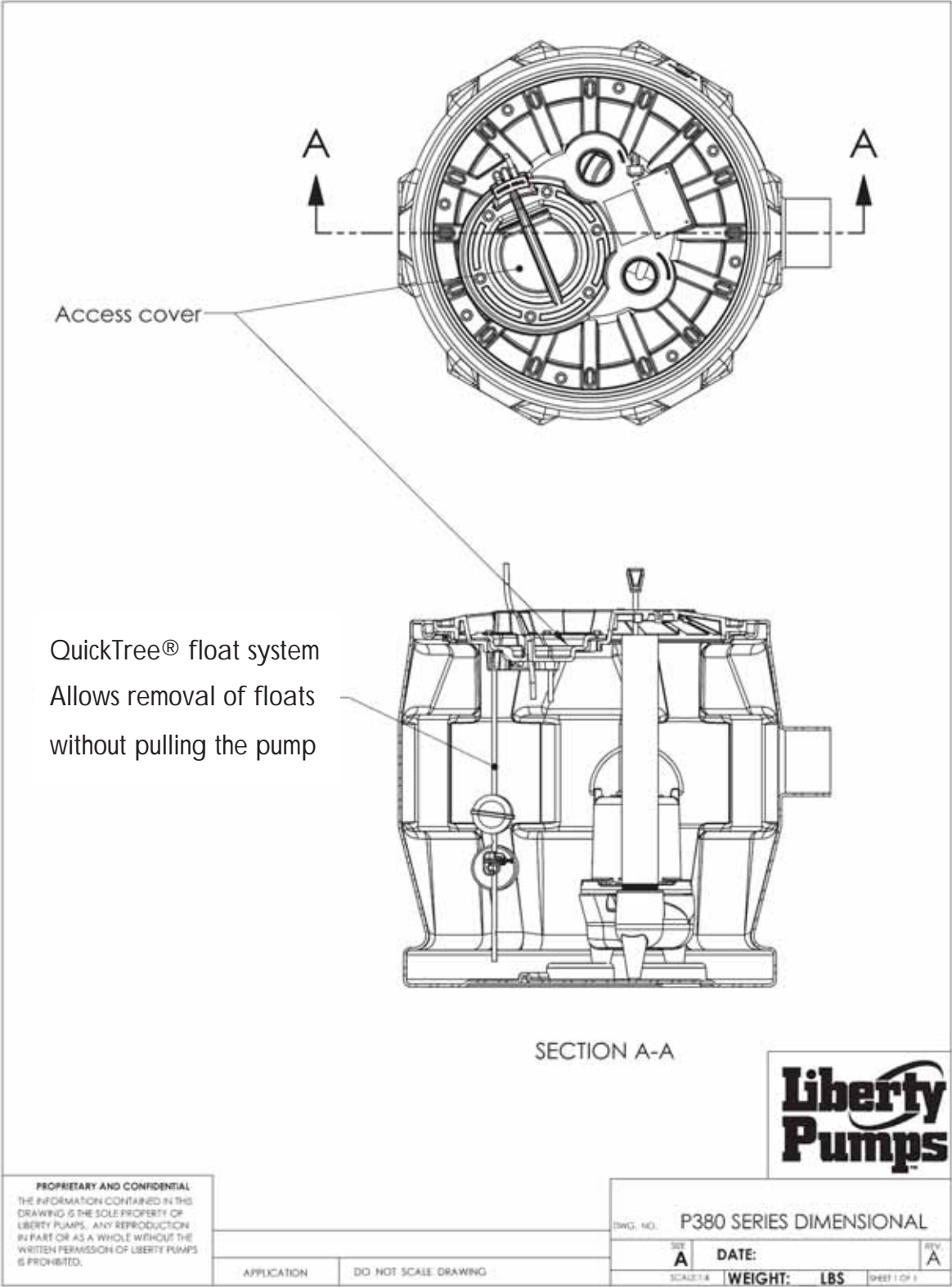
Product Specifications

P380-Series Submersible Sewage Simplex Package

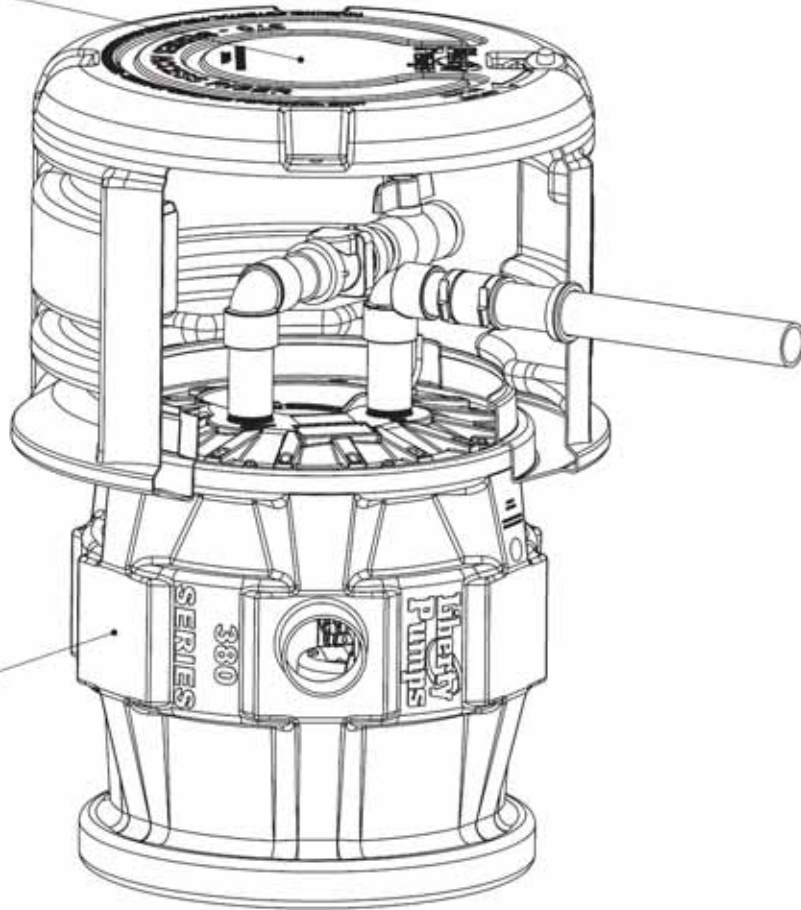


P380-Series Dimensional Data





OPTIONAL
ARC 18 RISER

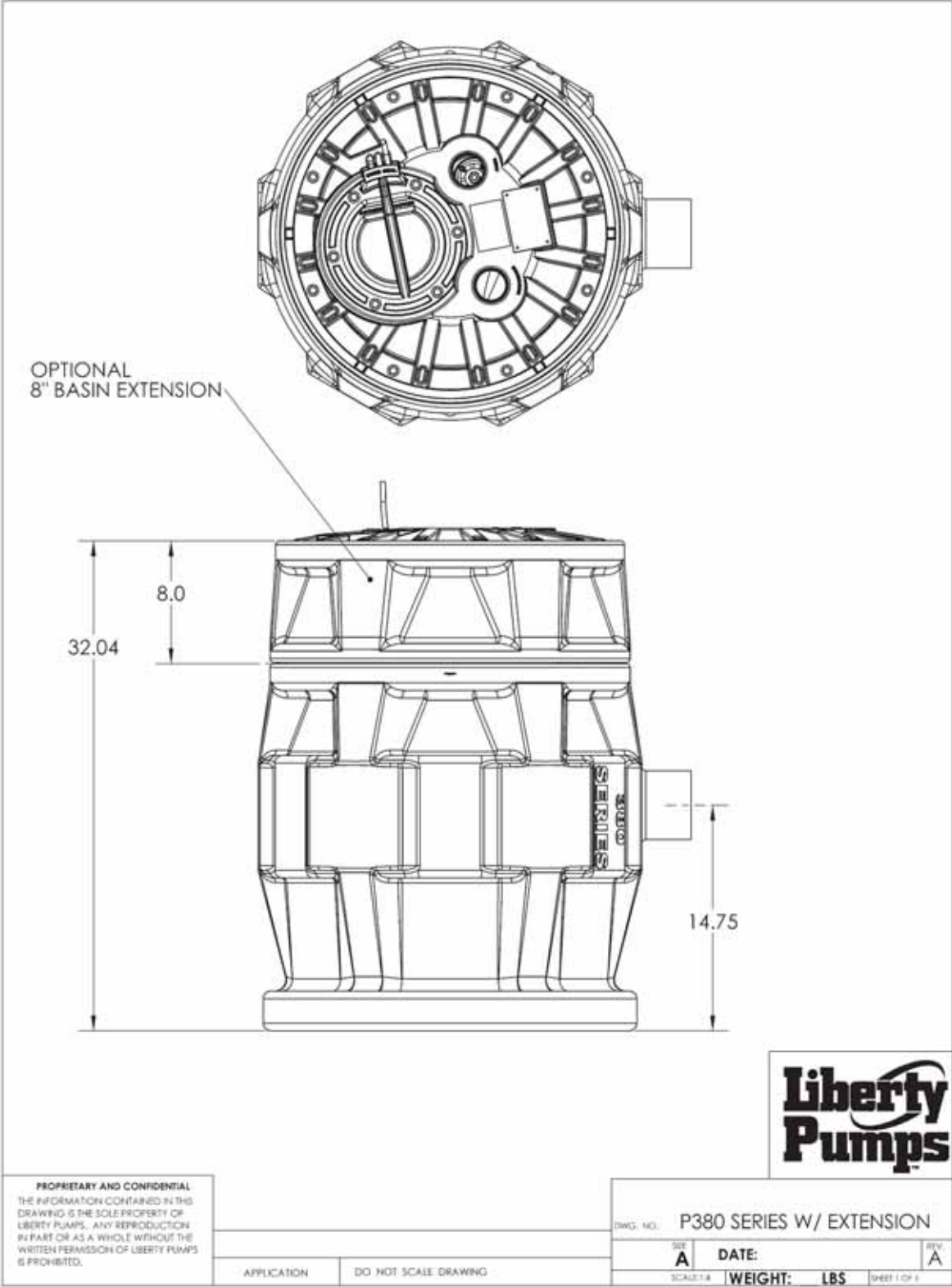


P380 SYSTEM



PROPRIETARY AND CONFIDENTIAL
THE INFORMATION CONTAINED IN THIS
DRAWING IS THE SOLE PROPERTY OF
LIBERTY PUMPS. ANY REPRODUCTION
IN PART OR AS A WHOLE WITHOUT THE
WRITTEN PERMISSION OF LIBERTY PUMPS
IS PROHIBITED.

APPLICATION		DO NOT SCALE DRAWING		DWG. NO.	P380 SERIES W/ RISER		REV.
				SEE	DATE:	A	
				SCALE:1:4	WEIGHT:	LBS	SHEET 1 OF 1



P380-Series Electrical Data

MODEL	HP	VOLTAGE	PHASE	SF	FULL LOAD AMPS	LOCKED ROTOR AMPS	THERMAL OVERLOAD TEMP	STATOR WINDING CLASS	DISCHARGE	AUTOMATIC SYSTEM
P382LE41	4/10	115	1	1.00	12	22.5	105°C 221°F	B	2"	YES
P382LE51	1/2	115	1	1.00	12	22.5	105°C 221°F	B	2"	YES
P382LE52	1/2	208-230	1	1.00	6.8	12	105°C 221°F	B	2"	YES
P382LE71	3/4	115	1	1.00	12	28	105°C 221°F	B	2"	YES
P382LE72	3/4	208-230	1	1.00	6	13	105°C 221°F	B	2"	YES
P382LE102	1	208-230	1	1.00	8	21	105°C 221°F	B	2"	YES
P382LEH102	1	208-230	1	1.00	12	30	105°C 221°F	B	2"	YES
P383LE41	4/10	115	1	1.00	12	22.5	105°C 221°F	B	3"	YES
P383LE51	1/2	115	1	1.00	12	22.5	105°C 221°F	B	3"	YES
P383LE52	1/2	208-230	1	1.00	6.8	12	105°C 221°F	B	3"	YES
P383LE71	3/4	115	1	1.00	12	28	105°C 221°F	B	3"	YES
P383LE72	3/4	208-230	1	1.00	6	13	105°C 221°F	B	3"	YES
P383LE102	1	208-230	1	1.00	8	21	105°C 221°F	B	3"	YES
P383LEH102	1	208-230	1	1.00	12	30	105°C 221°F	B	3"	YES

P380-Series Technical Data

TANK	POLYETHYLENE *
COVER	POLYPROPYLENE
GUIDE RAIL	NONE – PUMPS PULL OUT WITH COVER
INLET HUB	INCORPORATED INTO TANK
DISCHARGE PIPING	SCHEDULE 80 PVC
CONTROLS	PIGGY BACK FLOATS
IMPELLER	SEE INDIVIDUAL PUMP MODELS SPEC SHEET
SOLIDS HANDLING SIZE	SEE INDIVIDUAL PUMP MODELS SPEC SHEET
PAINT	SEE INDIVIDUAL PUMP MODELS SPEC SHEET
MAX LIQUID TEMP	SEE INDIVIDUAL PUMP MODELS SPEC SHEET
MAX STATOR TEMP	SEE INDIVIDUAL PUMP MODELS SPEC SHEET
THERMAL OVERLOAD	SEE INDIVIDUAL PUMP MODELS SPEC SHEET
POWER CORD TYPE	SEE INDIVIDUAL PUMP MODELS SPEC SHEET
MOTOR HOUSING	SEE INDIVIDUAL PUMP MODELS SPEC SHEET
VOLUTE	SEE INDIVIDUAL PUMP MODELS SPEC SHEET
SHAFT	SEE INDIVIDUAL PUMP MODELS SPEC SHEET
HARDWARE	SEE INDIVIDUAL PUMP MODELS SPEC SHEET
ORINGS	SEE INDIVIDUAL PUMP MODELS SPEC SHEET
MECHANICAL SEAL	SEE INDIVIDUAL PUMP MODELS SPEC SHEET
MIN BEARING LIFE	SEE INDIVIDUAL PUMP MODELS SPEC SHEET

*XL MODELS UTILIZE A UPC LISTED POLYETHYLENE BASIN WHICH MEETS IAPMO PS52 10' STACK TEST

P380-Series Specifications

See individual pump specification for more details on the pumps.

WARRANTY

Standard limited warranty shall be 3 years.