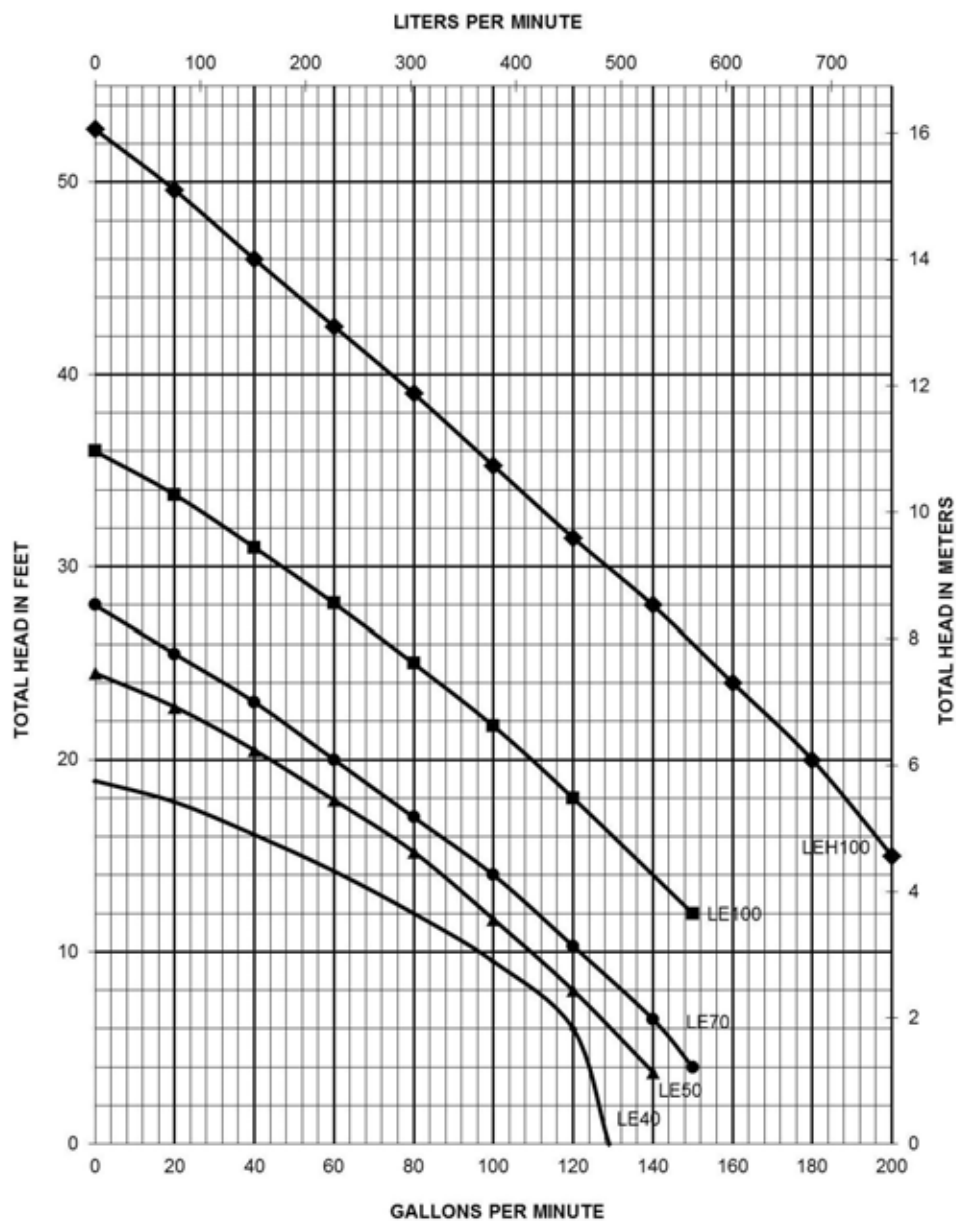


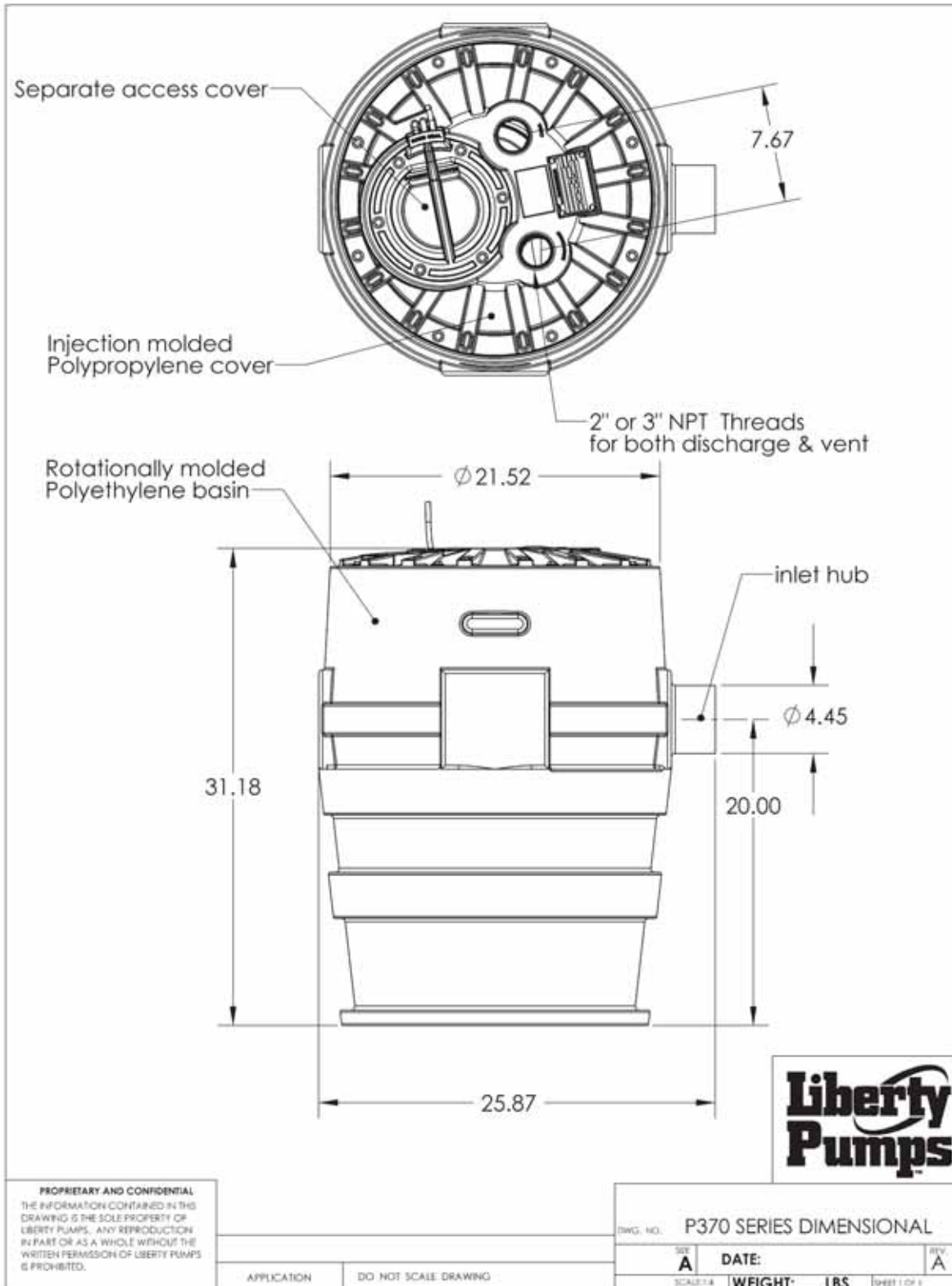


Product Specifications

P370-Series Submersible Sewage Simplex Package



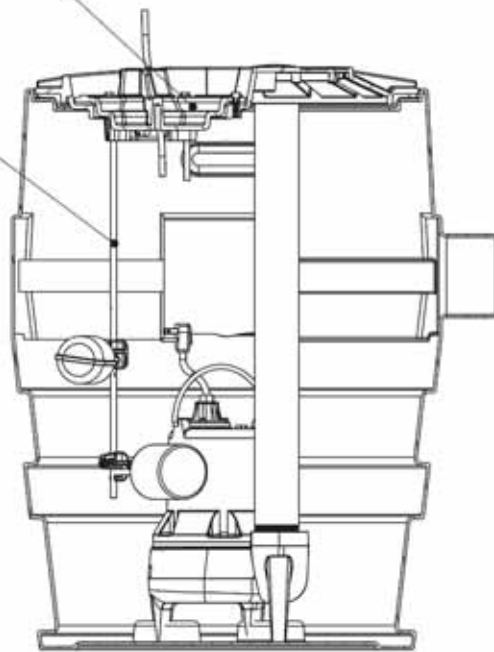
P370-Series Dimensional Data





Access cover

QuickTree® float system
 Allows removal of floats
 without pulling the pump



SECTION A-A

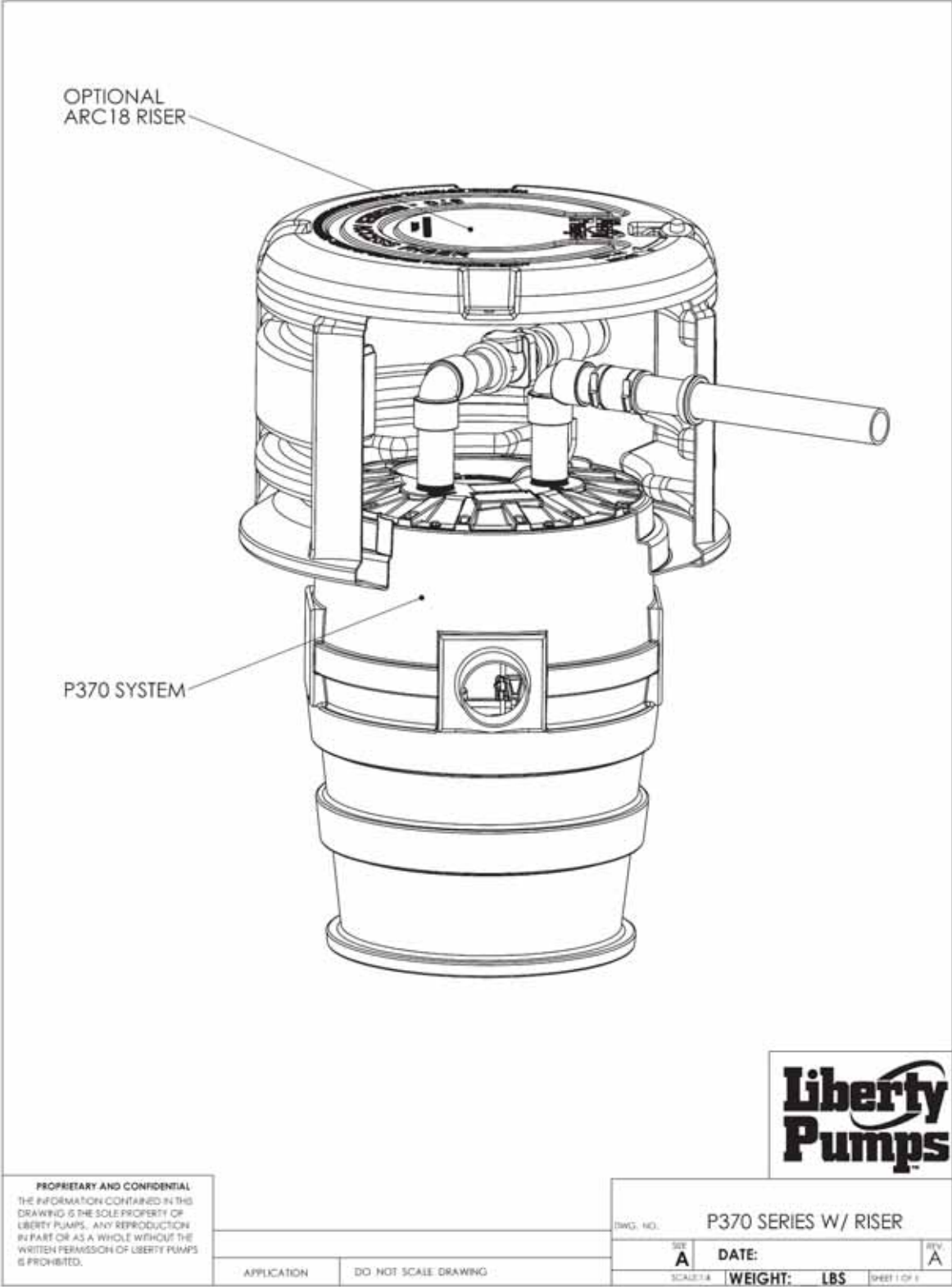


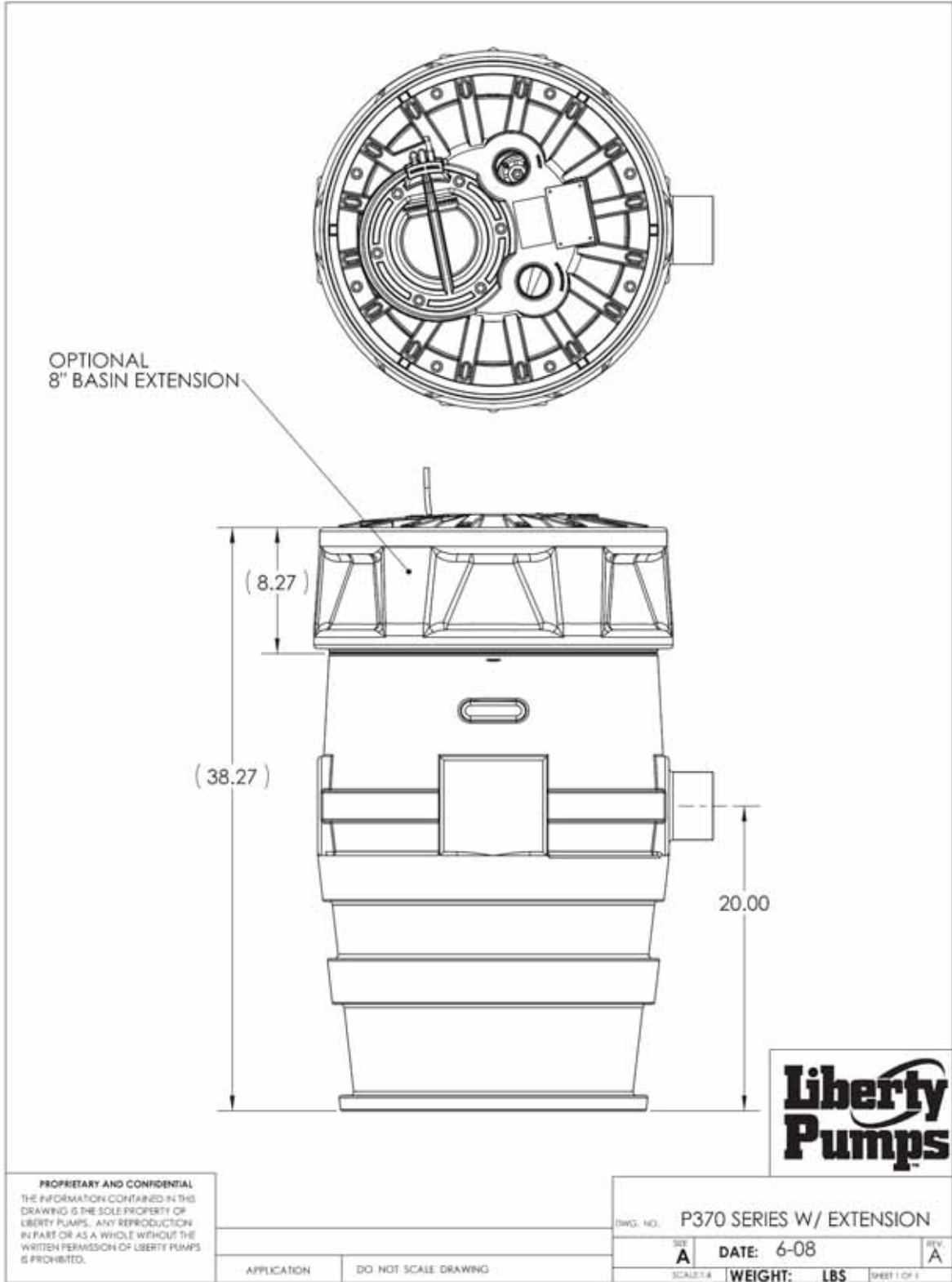
PROPRIETARY AND CONFIDENTIAL
 THE INFORMATION CONTAINED IN THIS
 DRAWING IS THE SOLE PROPERTY OF
 LIBERTY PUMPS. ANY REPRODUCTION
 IN PART OR AS A WHOLE WITHOUT THE
 WRITTEN PERMISSION OF LIBERTY PUMPS
 IS PROHIBITED.

DWG. NO. P370 SERIES DIMENSIONAL

APPLICATION DO NOT SCALE DRAWING

SIZE A	DATE:	REV. A
SCALE: 1:4	WEIGHT: LBS	SHEET 1 OF 1





P370-Series Electrical Data

MODEL	HP	VOLTAGE	PHASE	SF	FULL LOAD AMPS	LOCKED ROTOR AMPS	THERMAL OVERLOAD TEMP	STATOR WINDING CLASS	DISCHARGE	AUTOMATIC SYSTEM
P372LE41	4/10	115	1	1.00	12	22.5	105°C 221°F	B	2"	YES
P372LE51	1/2	115	1	1.00	12	22.5	105°C 221°F	B	2"	YES
P372LE52	1/2	208-230	1	1.00	6.8	12	105°C 221°F	B	2"	YES
P372LE71	3/4	115	1	1.00	12	28	105°C 221°F	B	2"	YES
P372LE72	3/4	208-230	1	1.00	6	13	105°C 221°F	B	2"	YES
P372LE102	1	208-230	1	1.00	8	21	105°C 221°F	B	2"	YES
P372LEH102	1	208-230	1	1.00	12	30	105°C 221°F	B	2"	YES
P373LE41	4/10	115	1	1.00	12	22.5	105°C 221°F	B	3"	YES
P373LE51	1/2	115	1	1.00	12	22.5	105°C 221°F	B	3"	YES
P373LE52	1/2	208-230	1	1.00	6.8	12	105°C 221°F	B	3"	YES
P373LE71	3/4	115	1	1.00	12	28	105°C 221°F	B	3"	YES
P373LE72	3/4	208-230	1	1.00	6	13	105°C 221°F	B	3"	YES
P373LE102	1	208-230	1	1.00	8	21	105°C 221°F	B	3"	YES
P373LEH102	1	208-230	1	1.00	12	30	105°C 221°F	B	3"	YES

P370-Series Technical Data

TANK	*POLYETHYLENE
COVER	POLYPROPYLENE
GUIDE RAIL	NONE – PUMPS PULL OUT WITH COVER
INLET HUB	INCORPORATED INTO TANK
DISCHARGE PIPING	SCHEDULE 80 PVC
CONTROLS	PIGGY BACK FLOATS
IMPELLER	SEE INDIVIDUAL PUMP MODELS SPEC SHEET
SOLIDS HANDLING SIZE	SEE INDIVIDUAL PUMP MODELS SPEC SHEET
PAINT	SEE INDIVIDUAL PUMP MODELS SPEC SHEET
MAX LIQUID TEMP	SEE INDIVIDUAL PUMP MODELS SPEC SHEET
MAX STATOR TEMP	SEE INDIVIDUAL PUMP MODELS SPEC SHEET
THERMAL OVERLOAD	SEE INDIVIDUAL PUMP MODELS SPEC SHEET
POWER CORD TYPE	SEE INDIVIDUAL PUMP MODELS SPEC SHEET
MOTOR HOUSING	SEE INDIVIDUAL PUMP MODELS SPEC SHEET
VOLUTE	SEE INDIVIDUAL PUMP MODELS SPEC SHEET
SHAFT	SEE INDIVIDUAL PUMP MODELS SPEC SHEET
HARDWARE	SEE INDIVIDUAL PUMP MODELS SPEC SHEET
ORINGS	SEE INDIVIDUAL PUMP MODELS SPEC SHEET
MECHANICAL SEAL	SEE INDIVIDUAL PUMP MODELS SPEC SHEET
MIN BEARING LIFE	SEE INDIVIDUAL PUMP MODELS SPEC SHEET

*XL MODELS UTILIZE A UPC LISTED POLYETHYLENE BASIN WHICH MEETS IAPMO PS52 10' STACK TEST

P370-Series Specifications

See individual pump specification for more details on the pumps.

WARRANTY

Standard limited warranty shall be 3 years.