

### Features

- Cast iron with Safeguard® finish.
- Right drain.
- Three-wall alcove installation.
- 60" (1524 mm) x 32" (813 mm) x 15-1/2" (394 mm)



ADA

### Codes/Standards






ASME A112.19.1/CSA B45.2  
ASTM F462  
ADA  
ICC/ANSI A117.1

### KOHLER® Lifetime Limited Warranty for Cast Iron Components

See website for detailed warranty information.

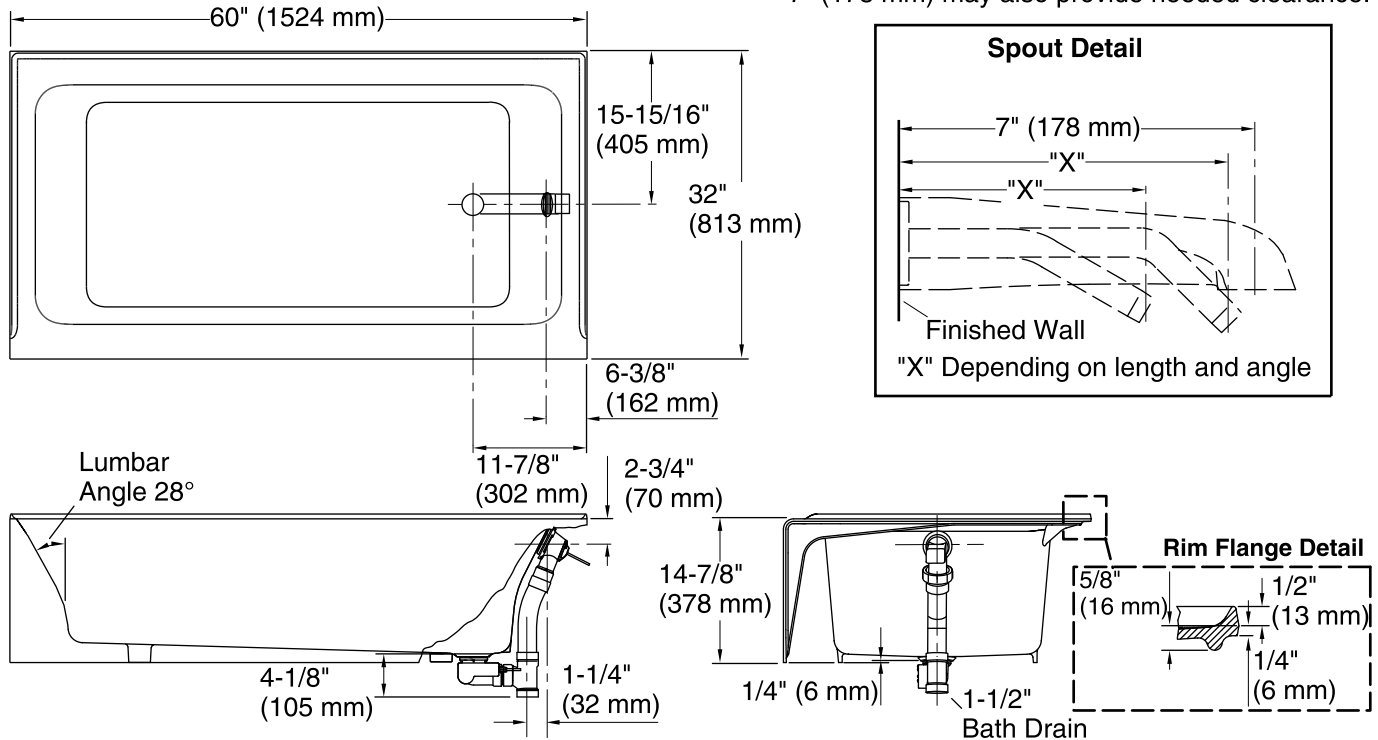
### Available Color/Finishes

*Color tiles intended for reference only.*

| Color  | Code | Description |
|--|------|-------------|
|  | 0    | White       |
|  | 96   | Biscuit     |
|  | 47   | Almond      |
|  | NY   | Dune        |
|  | G9   | Sandbar     |

No change in measurements if connected with drain illustrated. (K-37383)

**Note:** To clear the bath rim end wall, a minimum 7" (178 mm) bath spout is recommended. Water flow from angled bath spouts less than 7" (178 mm) may also provide needed clearance.



### Technical Information

All product dimensions are nominal.

|                     |   |
|---------------------|---|
| Installation:       | 3-Wall Alcove                                     |
| Drain location:     | Right   |
| Basin area, bottom: | 43-7/8" x 21" (1115 mm x 533 mm)                  |
| Basin area, top:    | 51-1/4" x 23-5/16" (1302 mm x 592 mm)             |
| Weight:             | 327 lbs (148.3 kg)                                |
| Minimum floor load: | 52 lbs/ft <sup>2</sup> (253.9 kg/m <sup>2</sup> ) |
| Water depth:        | 11-5/16" (287 mm)                                 |
| Water capacity:     | 44 gal (166.6 L)                                  |

### Notes

Measure your actual product for roughing-in details.

Install this product according to the installation guide.

The hot water supply should be 70% of the capacity of the bath or greater. Installations will vary.

ADA compliant when installed to the specific requirements of these regulations.