

Features

- Brass construction.
- Brass valve bodies.
- Valvet® valves.
- Pop-up drain with lift rod and tailpiece.
- For 5-1/2" (140 mm) centers.
- Standard handles.
- 1-1/4" (32 mm) spout.
- Lower flow aerator options are available. (Please refer to the Kohler Price Book).
- 2.0 gal/min (7.6 l/min) maximum flow rate [max at 60 psi (4.14 bar)].



For complete listing of available colors, go to kohler.com.

Codes/Standards

ASME A112.18.1/CSA B125.1

NSF 61

NSF 372

DOE - Energy Policy Act 1992

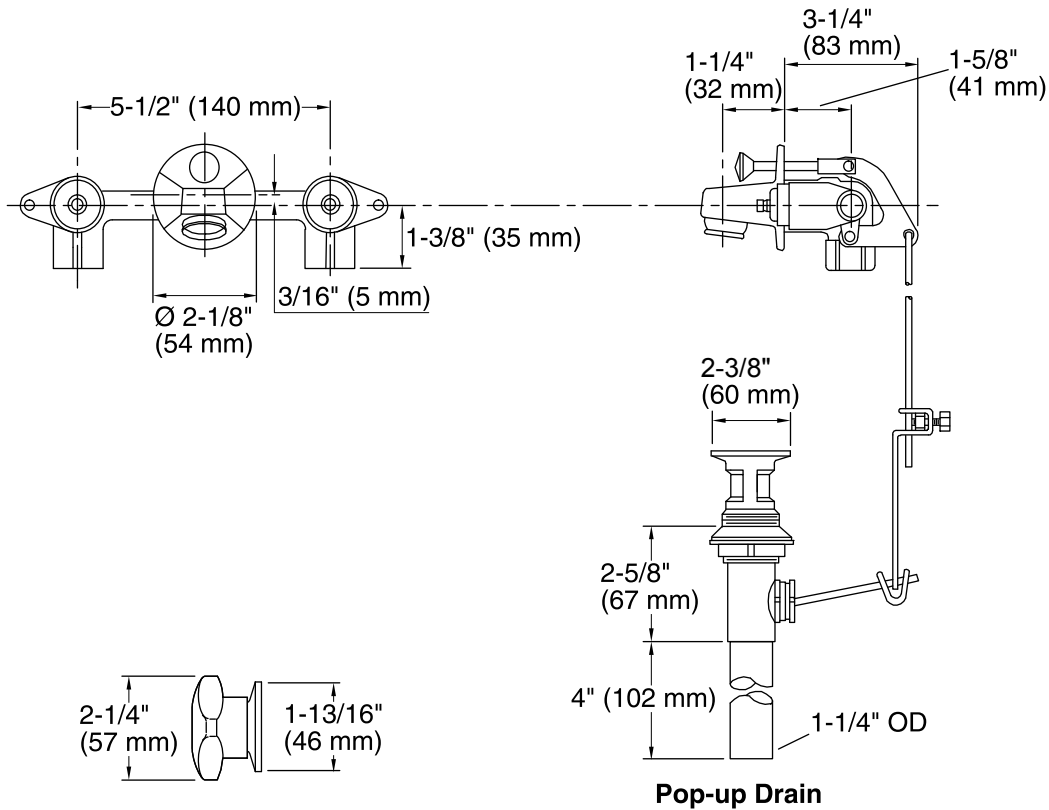
All applicable US Federal and State material regulations

KOHLER® One-Year Limited Warranty

See website for detailed warranty information.

Product Specification

Bathroom sink faucet shall be 1-1/4" (32 mm) spout reach. Bathroom sink faucet shall be brass construction with brass valve bodies. Bathroom sink faucet shall be standard handles. Bathroom sink faucet shall be pop-up drain with tailpiece. Bathroom sink faucet shall be shelf-back with 5-1/2" (140 mm) centers. Bathroom sink faucet shall be KOHLER Model K-8040-2A.



Technical Information

All measurements are nominal.

Spout reach: 1-1/4" (32 mm)

Drain included: YES

Drain tailpiece included: YES

Faucet:

Flow rate: 2 gal/min (7.6 l/min)

Pressure: 60 psi (4.1 bar)

Installation Notes

Install this product according to the installation guide.