

Features

- Brass valve bodies.
- Brass construction.
- Quarter-turn washerless ceramic disc valves.
- Pop-up drain with lift rod and tailpiece.
- Standard aerator.
- Variety of handle style options.
- 5-1/4" (133 mm) gooseneck spout.
- Lower flow aerator options are available. (Please refer to the Kohler Price Book).
- 8" (203 mm) to 16" (406 mm) centers.
- 2.2 gal/min (8.3 l/min) maximum flow rate [max at 60 psi (4.14 bar)].

Required Accessories

- K-16010-2 Standard Handles for Centerset Base Faucet
- or
- K-16010-3 Cross Handles for Centerset Base Faucet
- or
- K-16010-4 Lever Handles for Centerset Base Faucet
- or
- K-16010-5 Wristblade Lever Handles for Centerset Base Faucet



For complete listing of available colors, go to kohler.com.

ADA

Codes/Standards

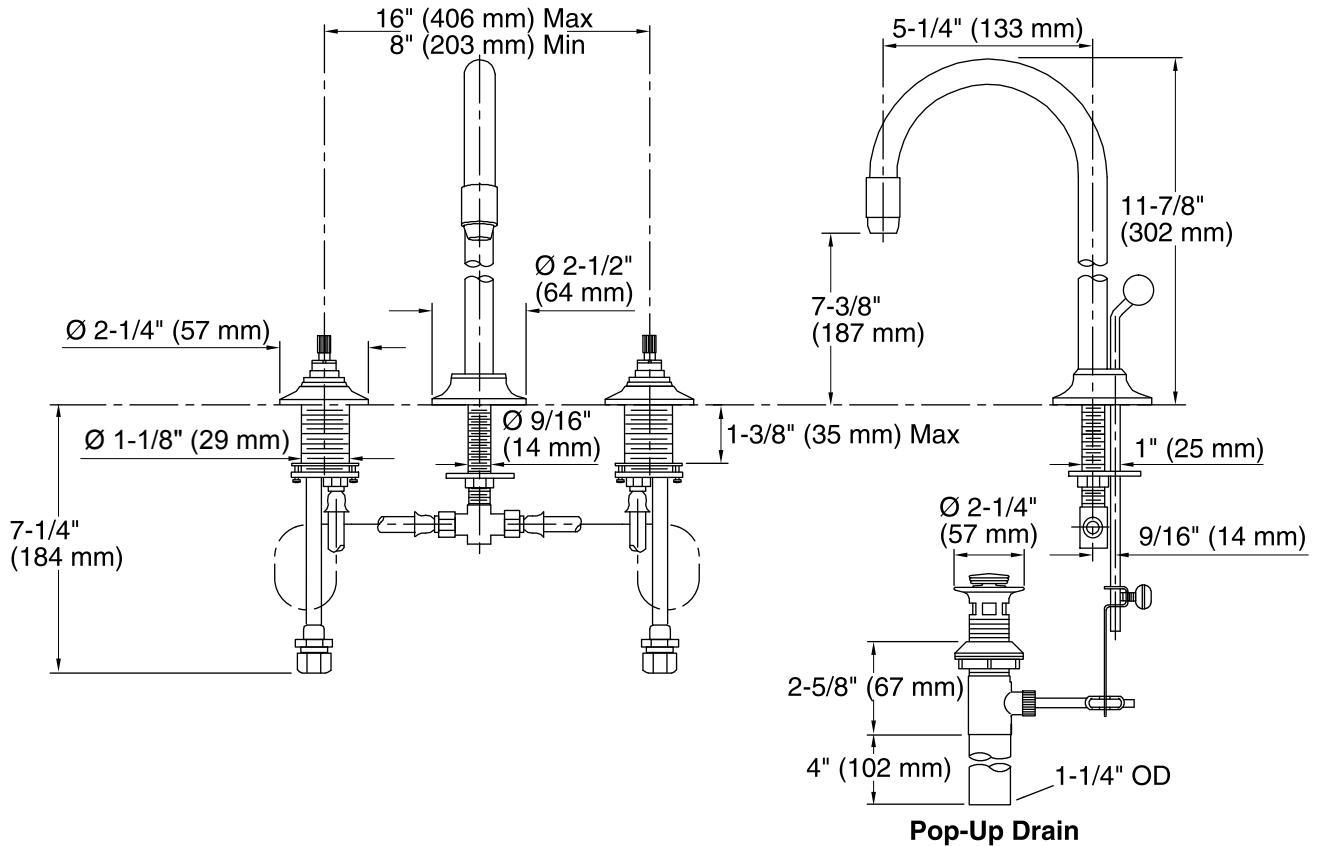
ASME A112.18.1/CSA B125.1
NSF 61
NSF 372
ADA
ICC/ANSI A117.1
DOE - Energy Policy Act 1992
All applicable US Federal and State material regulations

KOHLER® Faucet Lifetime Limited Warranty

See website for detailed warranty information.

Product Specification

Bathroom sink base faucet shall be 5-1/4" (133 mm) gooseneck spout reach and 7-3/8" (187 mm) spout outlet height. Bathroom sink base faucet shall be of brass construction with brass valve bodies. Bathroom sink base faucet shall be less handles. Bathroom sink base faucet shall be and pop-up drain with lift rod and tailpiece. Bathroom sink faucet shall be for 8" (203 mm) to 16" (406 mm) centers. Bathroom sink base faucet shall be KOHLER Model K-7435-K.



Technical Information

All measurements are nominal.

Spout reach: 5-1/4" (133 mm)

Drain included: YES

Drain tailpiece included: YES

Faucet:

Flow rate: 2.2 gal/min (8.3 l/min)

Pressure: 60 psi (4.1 bar)

Installation Notes

Install this product according to the installation guide.

ADA compliant when installed to the specific requirements of these regulations.