

### Features

- Brass construction.
- Brass valve bodies.
- Quarter-turn washerless ceramic disc valves.
- 4" (102 mm) spout reach.
- For 4" (102 mm) centers.
- Standard aerator.
- Standard handles.
- Less drain.
- 1.5 gal/min (5.7 l/min) maximum flow rate [max at 60 psi (4.14 bar)].



For complete listing of available colors, go to [kohler.com](http://kohler.com).



### Codes/Standards

ASME A112.18.1/CSA B125.1

NSF 61

NSF 372

DOE - Energy Policy Act 1992

EPA WaterSense®

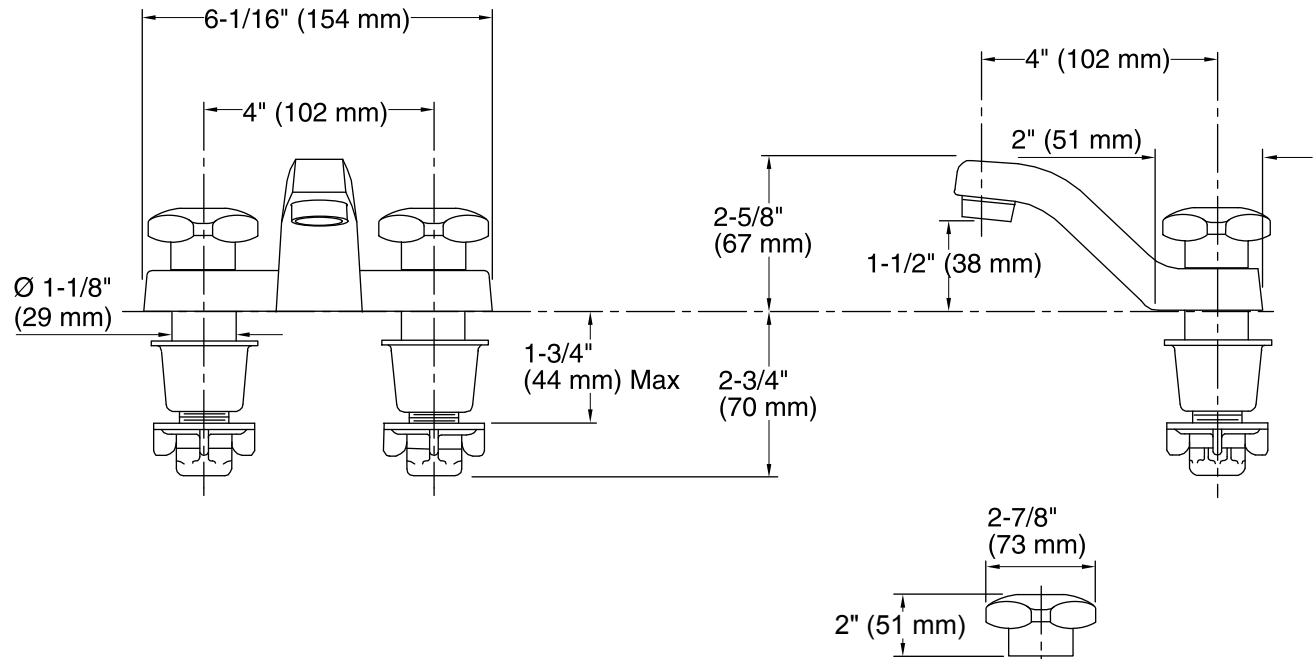
All applicable US Federal and State material regulations

### KOHLER® Faucet Lifetime Limited Warranty

See website for detailed warranty information.

### Product Specification

Bathroom sink base faucet shall be 4" (102 mm) spout reach and 1-1/2" (38 mm) spout outlet height. Bathroom sink base faucet shall be made of brass construction with brass valve bodies. Bathroom sink base faucet shall be standard handles. Bathroom sink base faucet shall be less drain. Bathroom sink base faucet shall be 4" (102 mm) centers. Bathroom sink base faucet shall be KOHLER Model K-7404-2A.



### Technical Information

All measurements are nominal.

Spout reach: 4" (102 mm)

#### Faucet:

Flow rate: 1.5 gal/min (5.7 l/min)

Pressure: 60 psi (4.1 bar)

### Installation Notes

Install this product according to the installation guide.

ADA, CSA B651, OBC compliant when installed to the specific requirement of the regulation.