

BARDON™ 1/8th GPF

HEU – HIGH EFFICIENCY URINAL K-4904-ER

Features

- Vitreous china
- Washout
- 3/4" rear spud
- 14" (356 mm) extended rim
- 0.125 gpf (0.47 lpf) to 1.0 gpf (3.8 lpf)
- WaterSense® compliant when used with WaterSense flushometer
- Will replace K-4960-ER urinal

ADA

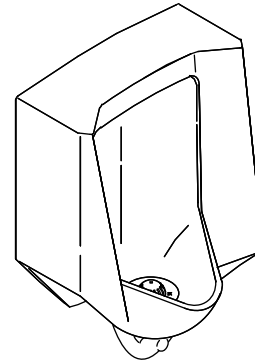
CSA B651



Codes/Standards Applicable

Specified model meets or exceeds the following:

- ADA
- ICC/ANSI A117.1
- CSA B651
- ASME A112.19.2/CSA B45.1
- Energy Policy Act of 2005
- EPA WaterSense®



Colors/Finishes

- 0: White
- Other: Refer to Price Book for additional colors/finishes

Specified Model

Model	Description	Colors/Finishes	
K-4904-ER	HEU – High Efficiency Urinal	<input type="checkbox"/> 0	<input type="checkbox"/> Other _____

Product Specification

Washout urinal shall be made of vitreous china with a 3/4" rear spud. Urinal shall have a 14" (356 mm) extended rim. Urinal shall use 0.125 gpf (0.47 lpf) to 1.0 gpf (3.8 lpf) depending on flushometer specified. Urinal shall be WaterSense compliant when used with WaterSense flushometer. Urinal shall be Kohler Model K-4904-ER-_____.

BARDON™ 1/8th GPF

Technical Information

Fixture*:	
Configuration	3/4" rear spud
Water per flush	0.125 gpf (0.47 lpf) to 1.0 gpf (3.8 lpf)*
Spud inlet size	3/4"
* Designed to flush with 0.125 gpf (0.47 lpf) to 1.0 gpf (3.8 lpf) of water when installed with a water-saving flushometer.	

Included components:	
3/4" inlet spud	18376
2" outlet spud	18766
Strainer	1122585
Hanger (2 required)	64512

Installation Notes

Install this product according to the installation guide.

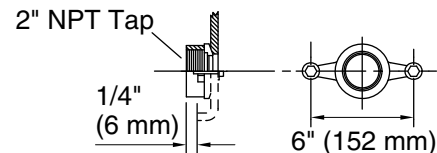
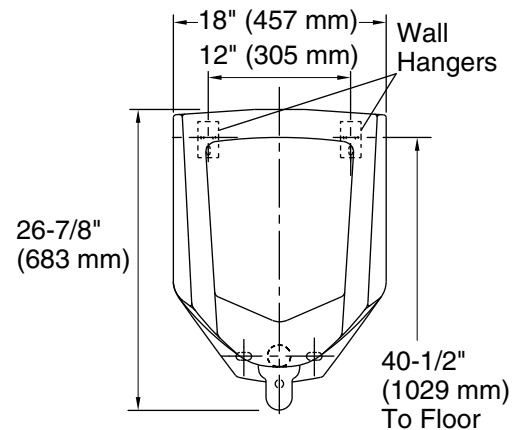
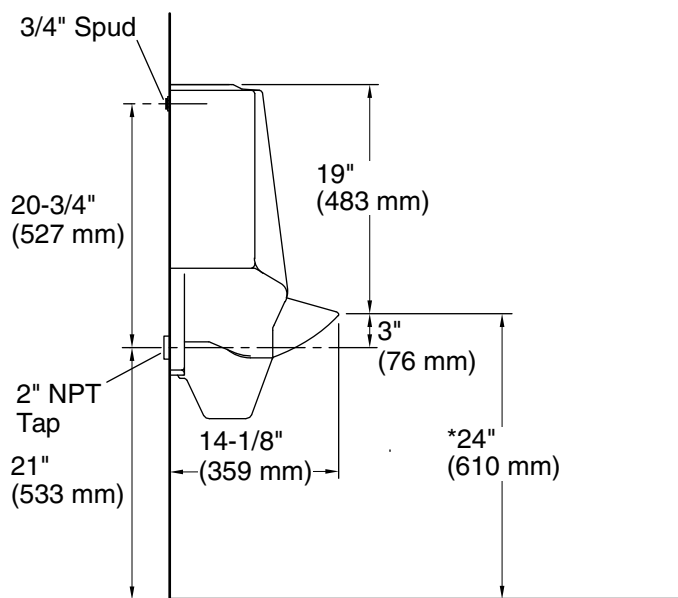
Refer to manufacturer's instructions and local codes for flushometer requirements.

Will comply with **ADA** when installed per Section 605 Urinals of the Act.

Will comply with **CSA B651** when installed per Clause 4.3.8 of the standard.

*Urinal complies with ADA requirements when rim is mounted no higher than 17" (432 mm) from finished floor.

*Urinal complies with CSA B651 when rim is mounted no higher than 16-7/8" (430 mm) from finished floor.



Outlet Detail

Product Diagram