



# Glenbury™ Q2™ Advantage™

Toilet Seat  
K-4684

## Features

- Solid polypropylene plastic.
- Elongated closed-front.
- Contoured seat for user comfort.
- Quick-Release™ hinge caps snap open and seat pulls forward for removal.
- Quick-Attach™ stainless steel fastener allows for top-mount screwdriver only install.



For complete listing of available colors, go to [kohler.com](http://kohler.com).

## Codes/Standards

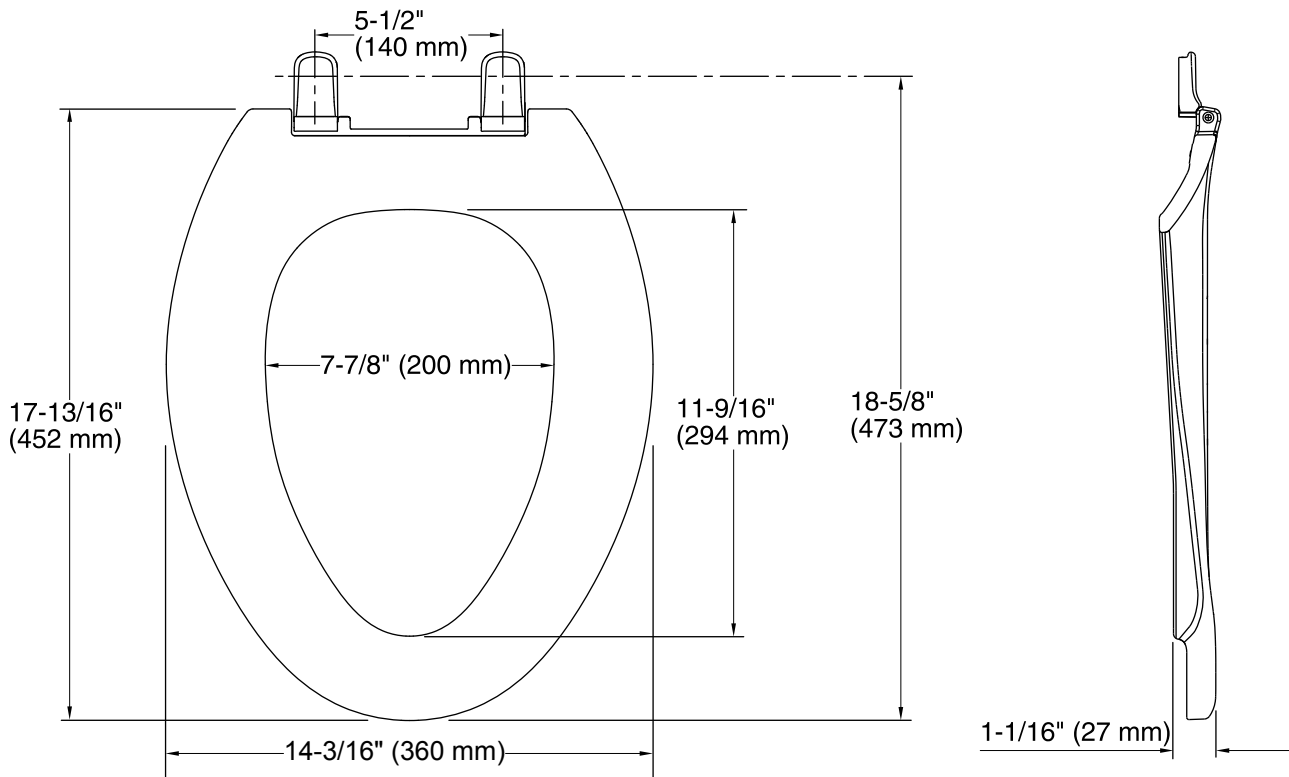
IAPMO/ANSI Z124.5

## KOHLER® One-Year Limited Warranty

See website for detailed warranty information.

## Product Specification

Toilet seat shall be made of solid polypropylene plastic. Toilet seat shall feature Quick-Release™ functionality. Toilet seat shall feature Quick-Attach™ hardware. Toilet seat shall be elongated closed-front installation. Toilet seat shall be KOHLER Model K-4684.



### Technical Information

All measurements are nominal.

- Seat shape type: Elongated
- Seat front type: Closed front
- Seat hinge type: Quick-Attach®, Quick-Release™
- Seat hole centers: 5-1/2" (140 mm)

### Installation Notes

Install this product according to the installation guide.