

### Features

- Brass construction.
- 2.2 gal/min (8.3 l/min) maximum flow rate.
- Dual control wall-mounted.
- Ceramic disc valves.



For complete listing of available colors, go to [kohler.com](http://kohler.com).

### Codes/Standards

ASME A112.18.1/CSA B125.1

NSF 61

NSF 372

DOE - Energy Policy Act 1992

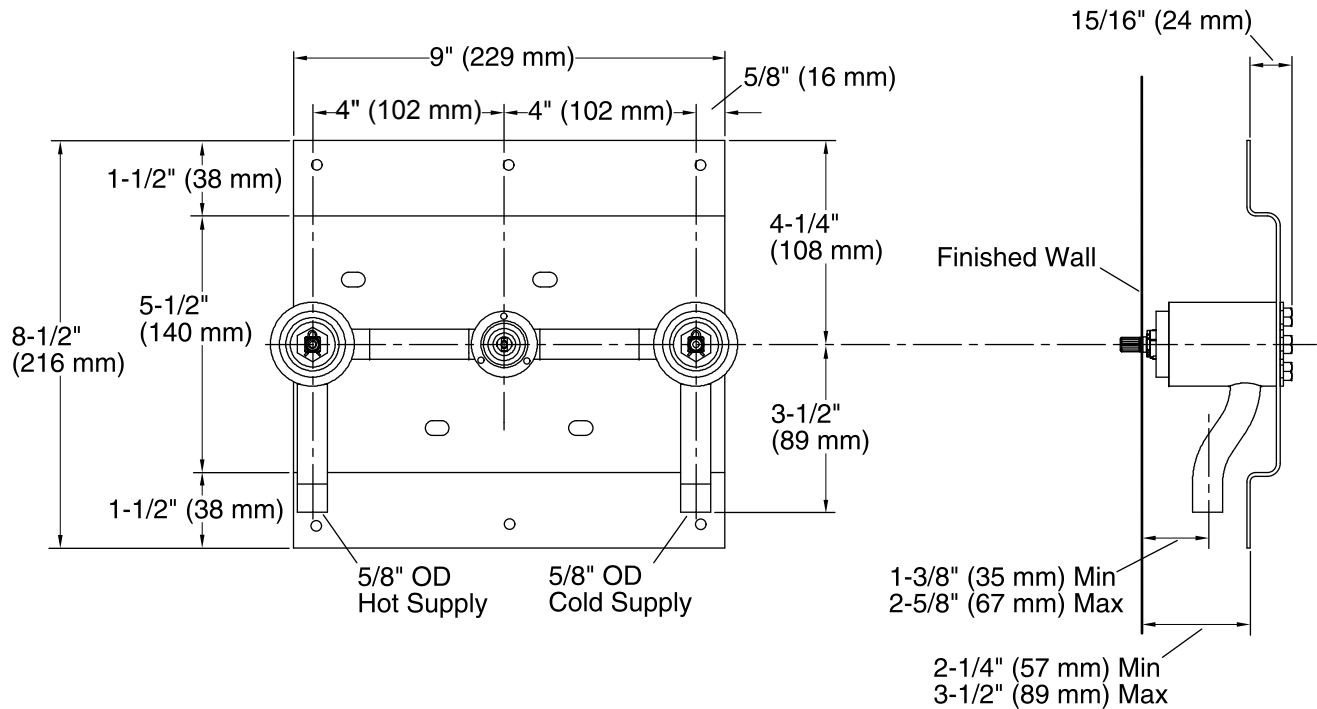
All applicable US Federal and State material regulations

### KOHLER® Faucet Lifetime Limited Warranty

See website for detailed warranty information.

### Product Specification

Valve shall be brass construction. Valve shall be ceramic disc valves. Valve shall be dual control. Valve shall be wall-mount installation. Valve shall be KOHLER Model K-410-K.



### Technical Information

All measurements are nominal.

#### Faucet:

Flow rate: 2.2 gal/min (8.3 l/min)

### Installation Notes

Install this product according to the installation guide.

Three 1-1/2" (38 mm) diameter cutout holes are required for the spout and handles.

Follow the installation dimensions precisely as there is no deep roughing-in kit available for this product.

**WARNING:** Risk of property damage. For exterior wall installations, ensure proper wall insulation to prevent frozen pipes.