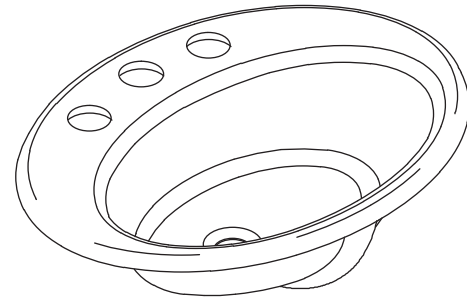


Features

- KOHLER cast iron
- Under-mount
- Oversized faucet holes to accommodate single-hole centermount or centerset faucet
- Oversized faucet holes to accommodate single-hole centermount or widespread faucet
- 4" (102 mm) centers or 8" (203 mm) centers
- 18-1/4" (464 mm) x 11" (279 mm)

UNDER-MOUNT BATHROOM SINK K-2907-U

ADA



Codes/Standards Applicable

Specified model meets or exceeds the following:

- ASME A112.19.1/CSA B45.2
- ICC/ANSI A117.1
- ADA

Colors/Finishes

- 0: White
- Other: Refer to Price Book for additional colors/finishes

Accessories

- CP: Polished Chrome

Specified Model

Model	Description	Colors/Finishes	
K-2907-8U	Under-mount bathroom sink with 8" (203 mm) centers	<input type="checkbox"/> 0	<input type="checkbox"/> Other_____
K-2907-4U	Under-mount bathroom sink with 4" (102 mm) centers	<input type="checkbox"/> 0	<input type="checkbox"/> Other_____
Recommended Accessories			
K-8998	P-Trap		<input type="checkbox"/> CP

Product Specification

The under-mount bathroom sink shall be made of cast iron. Bathroom sink shall have 4" (102 mm) centers or 8" (203 mm) centers. Bathroom sink shall have oversized faucet holes to accommodate single-hole centermount, centerset, or widespread faucet. Bathroom sink shall be 18-1/4" (464 mm) in length and 11" (279 mm) in width. Bathroom sink shall be Kohler Model K-2907-U_____.

THOREAU™

Technical Information

Fixture*:	
Basin area	18-1/4" (464 mm) x 11" (279 mm)
Water depth	4-3/4" (121 mm)
Drain hole	Ø 1-11/16" (43 mm)
* Approximate measurements for comparison only.	

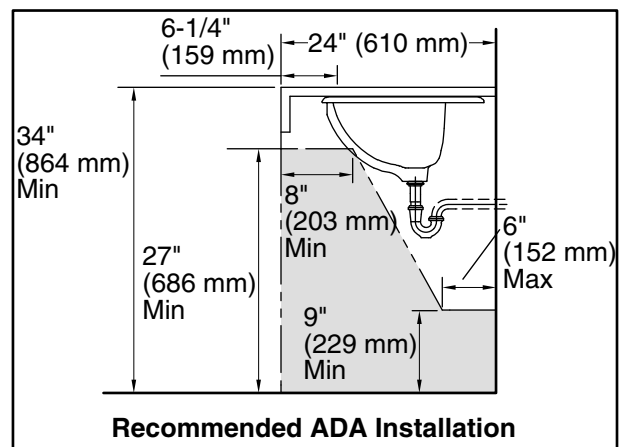
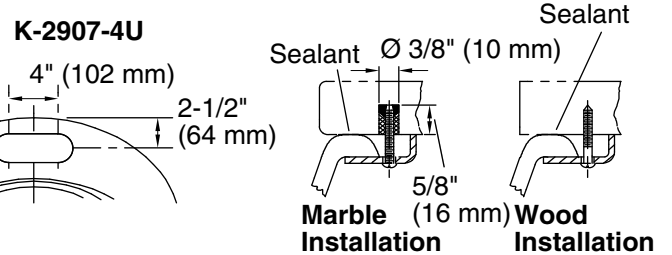
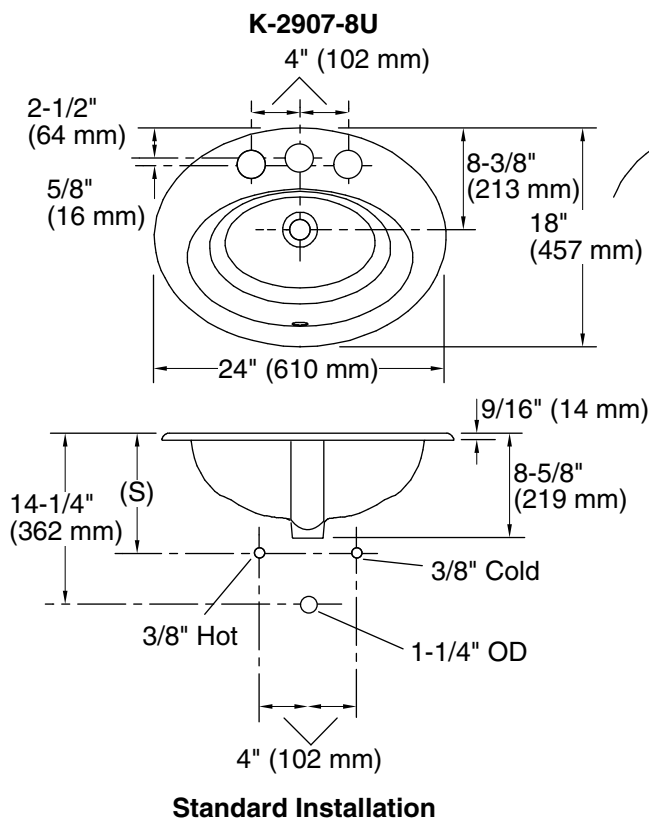
Included components:	
Basin clamp assembly	52047
Overflow ferrule	84896
Cut-out template	114635-7

Installation Notes

Install this product according to the installation guide.

Will comply with **ADA** when installed per section 606 Lavatories of the Act.

For under-mount installation, counter top thickness can not be greater than 1" (25 mm) for **ADA** compliance.



(S)	K-2907-4U	K-2907-8U
	10" (254 mm)	14" (356 mm)

Product Diagram