

Features

- KOHLER cast iron.
- Wall-mount.
- With overflow.
- With factory installed K-8040-2A Triton® faucet with pop-up drain and aerator.
- ADA compliant when installed with a lever-handle faucet.
- 19" (483 mm) x 17" (432 mm).

Components

Additional included component/s: Hanger (1), and Overflow ferrule (1).



ADA

Codes/Standards

ASME A112.19.1/CSA B45.2

ADA

ICC/ANSI A117.1


KOHLER® Lifetime Limited Warranty for Cast Iron Components

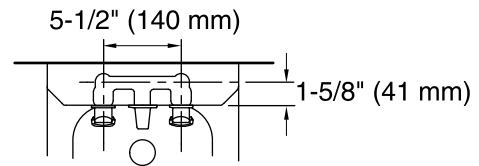
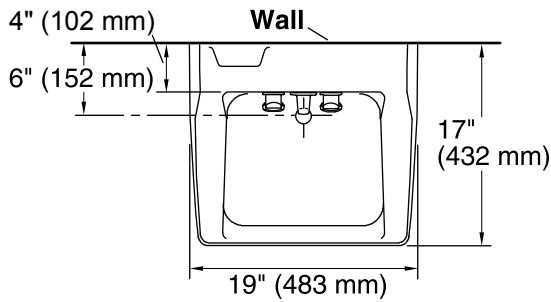
See website for detailed warranty information.

Available Color/Finishes

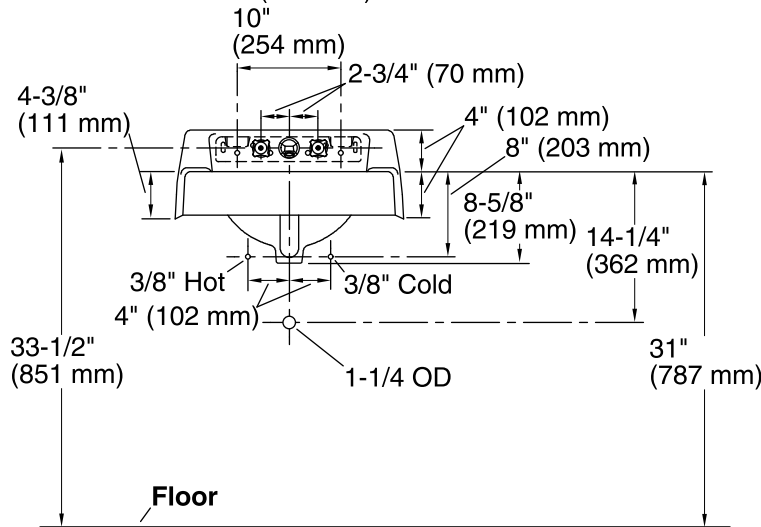
Color tiles intended for reference only.

Color	Code	Description
-------	------	-------------

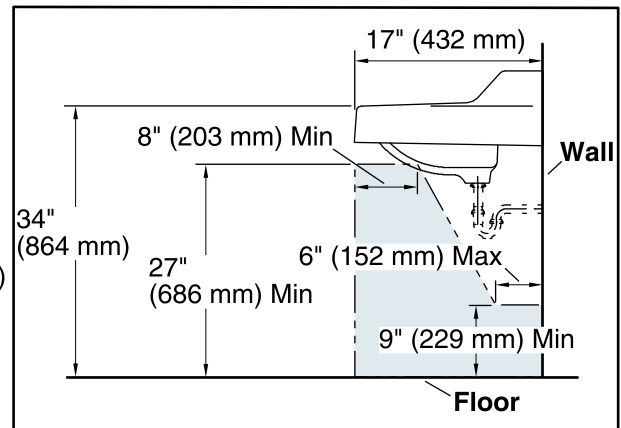
	0	White
--	---	-------



Faucet Detail



Standard Installation



Recommended ADA Installation

Technical Information

All product dimensions are nominal.

Installation: Wall-mount

Drain hole: 1-11/16" (43 mm)

Notes

Install this product according to the installation guide.

ADA compliant when installed to the specific requirements of these regulations.