

Features

- Made from premium materials that withstand high-volume usage
- Constructed of vitreous china
- 21-1/4"L x 18-1/8"W
- Wall-mount installation
- Faucet not included
- Includes wall hanger
- Drilled for concealed arm carrier

Recommended Accessories

K-8998 P-Trap

Components

Additional included component/s: Hanger (2 Required)



For complete listing of available colors, go to kohler.com.

ADA

CSA B651

OBC

Codes/Standards

ASME A112.19.2/CSA B45.1

ADA

ICC/ANSI A117.1

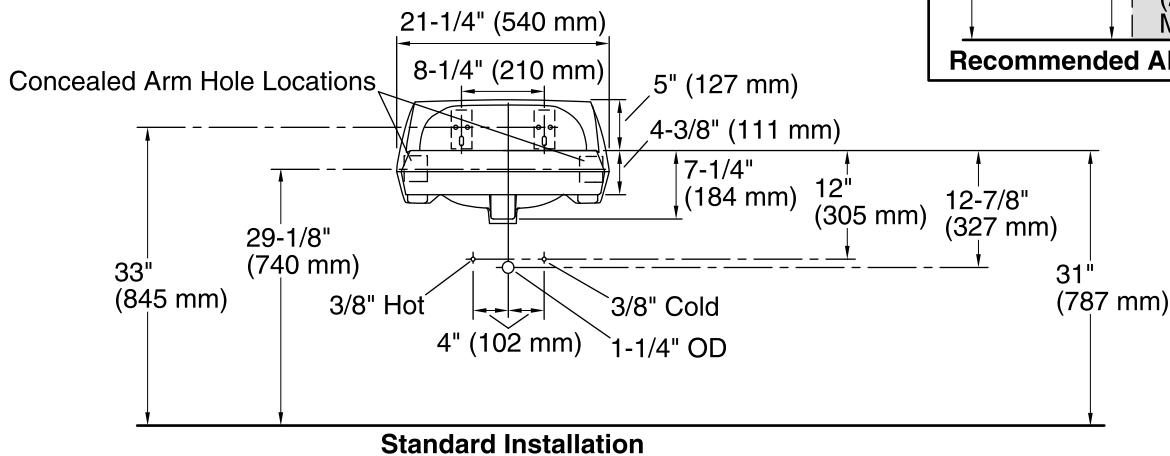
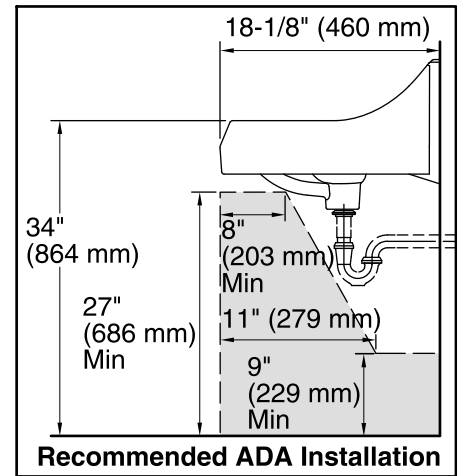
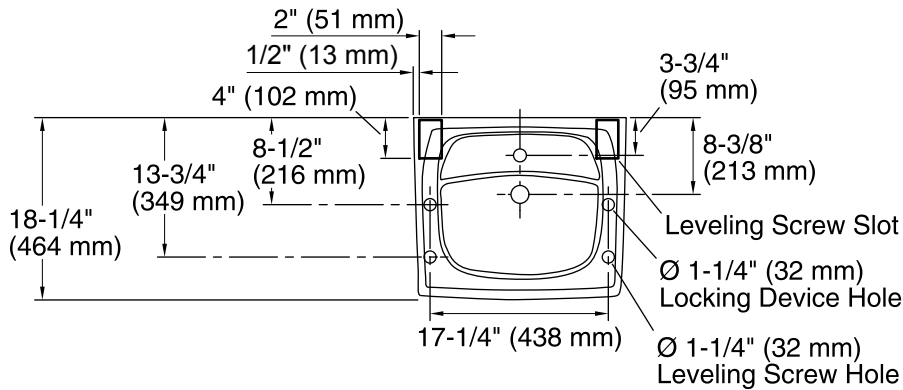
CSA B651

OBC

See website for detailed warranty information.

Product Specification

Bathroom sink shall be 21-1/4" (540 mm) in length and 18-1/8" (460 mm) in width. Bathroom sink shall be made of vitreous china. Bathroom sink shall be with single faucet hole. Bathroom sink shall have overflow. Bathroom sink shall be for concealed arm carrier. Bathroom sink shall be wall-mount. Bathroom sink shall be KOHLER Model K-2007.



Technical Information

All measurements are nominal.

- Bowl configuration: Single
- Installation: Wall-mount
- Bowl area (Center) Length: 10" (254 mm)
Width: 15" (381 mm)
Water depth: 3-1/4" (83 mm)
- Number of deck holes: 1
- Faucet hole(s): 1-3/8" (35 mm)
- Soap/Lotion hole: 1-1/4" (32 mm)
- Drain hole: 1-3/4" (44 mm)

Installation Notes

Install this product according to the installation guide.

ADA, OBC, CSA B651 compliant when installed to the specific requirements of these regulations.

ADA compliant when installed to the specific requirements of these regulations.

CSA B651 compliant when installed to the specific requirements of these regulations.