

### Features

- Brass construction.
- Brass valve bodies.
- Quarter-turn washerless ceramic disc valves.
- Lever handles.
- For 8" (203 mm) or 16" (406 mm) centers.
- Stationary spout.
- 5-1/4" (133 mm) spout reach.
- Pop-up drain with tailpiece.
- Complements Revival® Suite.
- 1.5 gal/min (5.7 l/min) maximum flow rate [max at 60 psi (4.14 bar)].



ADA CSA B651 OBC

### Codes/Standards

ASME A112.18.1/CSA B125.1

NSF 61

NSF 372

EPA WaterSense®

ADA

ICC/ANSI A117.1

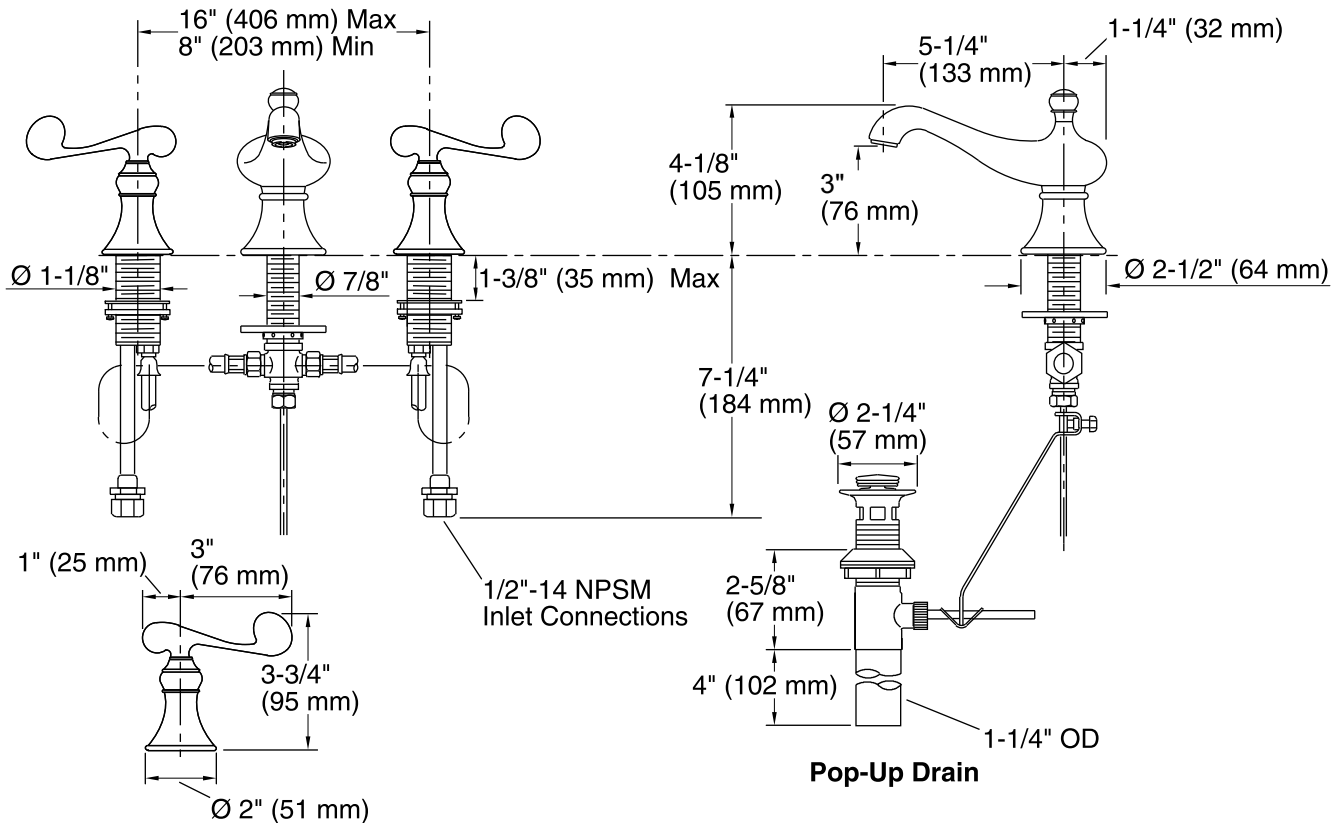
CSA B651

OBC

All applicable US Federal and State material regulations

### KOHLER® Faucet Lifetime Limited Warranty

See website for detailed warranty information.



#### Technical Information

All product dimensions are nominal.

Spout reach: 5-1/4" (133 mm)

Drain included: YES

Drain tailpiece included:

#### Faucet:

Flow rate: 1.5 gal/min (5.7 l/min)

Pressure: 60 psi (4.1 bar)

#### Notes

Install this product according to the installation guide.

ADA, OBC, CSA B651 compliant when installed to the specific requirements of these regulations.