

Features

- Brass construction.
- Brass valve bodies.
- Cast brass waterway.
- Quarter-turn washerless ceramic disc valves.
- 4-7/8" (124 mm) spout reach.
- Stationary spout.
- Metal pop-up drain with lift rod and tailpiece.
- ADA compliant ceramic lever handles.
- Single-hole or 6" (152 mm) escutcheon plate for 3-hole installation.
- 1.5 gal/min (5.7 l/min) maximum flow rate [max at 60 psi (4.14 bar)].



For complete listing of available colors, go to kohler.com.



ADA

Codes/Standards

ASME A112.18.1/CSA B125.1

NSF 61

NSF 372

ADA

ICC/ANSI A117.1

EPA WaterSense®

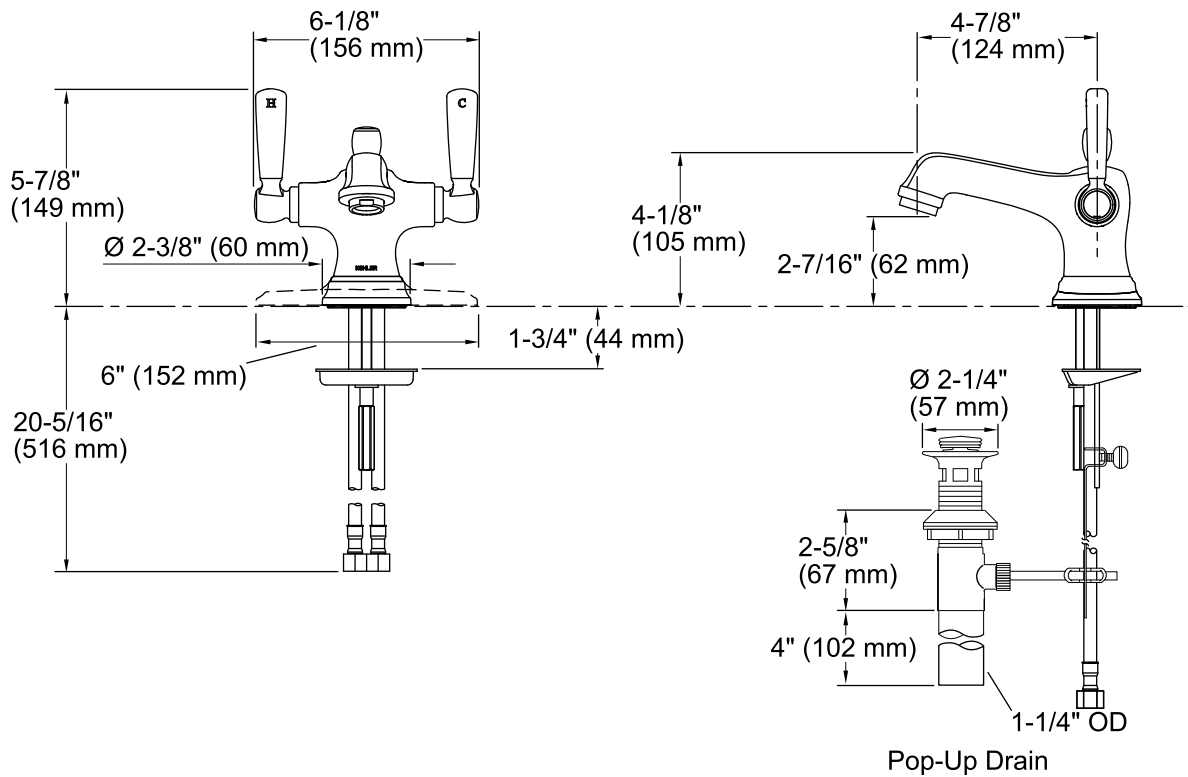
All applicable US Federal and State material regulations

KOHLER® Faucet Lifetime Limited Warranty

See website for detailed warranty information.

Product Specification

Bathroom sink faucet shall be 4-7/8" (124 mm) spout reach and 2-7/16" (62 mm) spout outlet height. Bathroom sink faucet shall be of brass construction with brass valve bodies. Bathroom sink faucet shall be lever handles. Bathroom sink faucet shall be stationary spout. Bathroom sink faucet shall be pop-up drain with lift rod and tailpiece. Bathroom sink faucet shall be single-hole or 6" (152 mm) escutcheon plate for 3-hole installation. Bathroom sink faucet shall be KOHLER Model K-10579-4P.



Technical Information

All measurements are nominal.

Spout reach: 4-7/8" (124 mm)

Drain included: YES

Drain tailpiece included: YES

Faucet:

Flow rate: 1.5 gal/min (5.7 l/min)

Pressure: 60 psi (4.1 bar)

Installation Notes

Install this product according to the installation guide.

ADA compliant when installed to the specific requirements of these regulations.